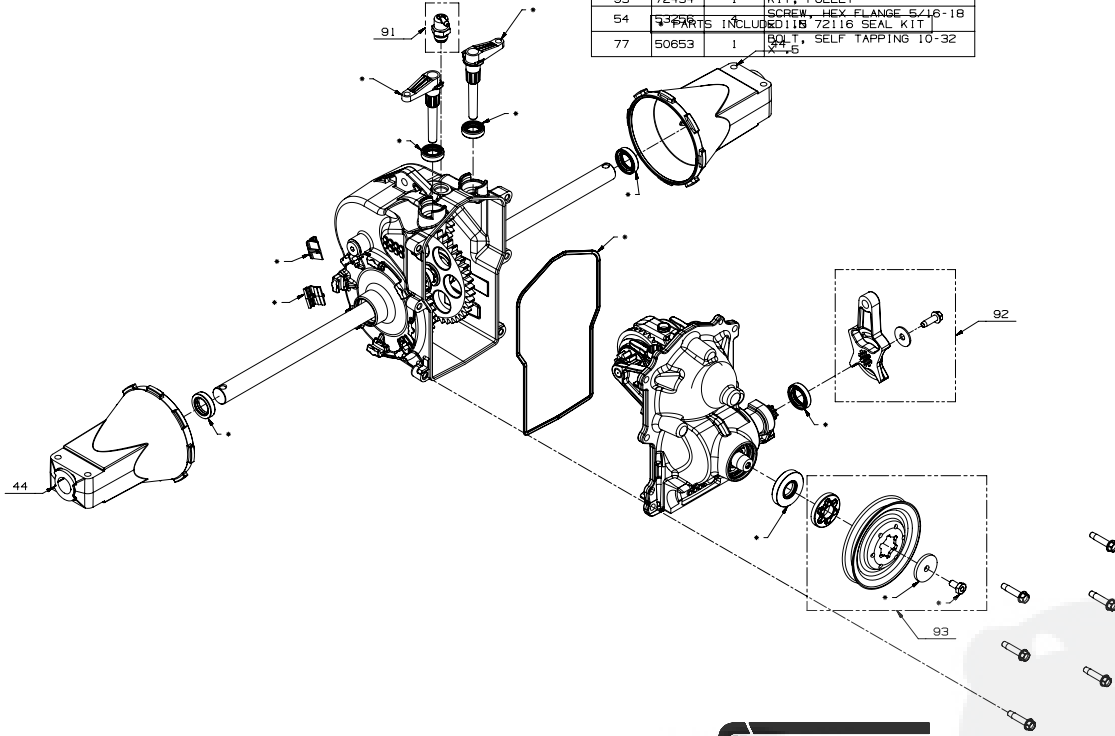


Parts Breakdown

NOTICE - PROPRIETARY INFORMATION: THIS SERVICE SCHEMATIC AND ITS CONTENTS ARE WHOLLY OWNED BY HYDRO-GEAR OF SULLIVAN, IL. AND MAY NOT BE PUBLISHED OR REPRODUCED WITHOUT THE WRITTEN CONSENT OF HYDRO-GEAR.

1310-1001 SST SERVICE SCHEMATIC

ITEM	PART #	QTY	DESCRIPTION
44	53201	2	HORN, AXLE
90	72116	1	KIT, SEAL - SST
91	72680	1	KIT, BREATHER
92	72702	1	KIT, CONTROL ARM
93	72434	1	KIT, PULLEY
54	SCREW, HEX FLANGE 5/16-18		
	4 PARTS INCLUDED IN 72116 SEAL KIT		
77	50653	1	SCREW, SELF TAPPING 10-32 X .6



P. 1 of 1 72720 P

1310-1001

Parts Breakdown

#	PART #	DESCRIPTION	QTY	Note
44	53201	HORN AXLE	2	
90	72116	KIT, SEAL - SST	1	
91	72680	KIT, BREATHER	1	
92	72702	KIT CONTROL ARM	1	
93	72434	KIT, PULLEY	1	
54	53256	SCREW 5/16-18 X 1.5 HFHCS	4	
77	50653	BOLT 10-32 X 1/2 SELF TAPPING	1	

