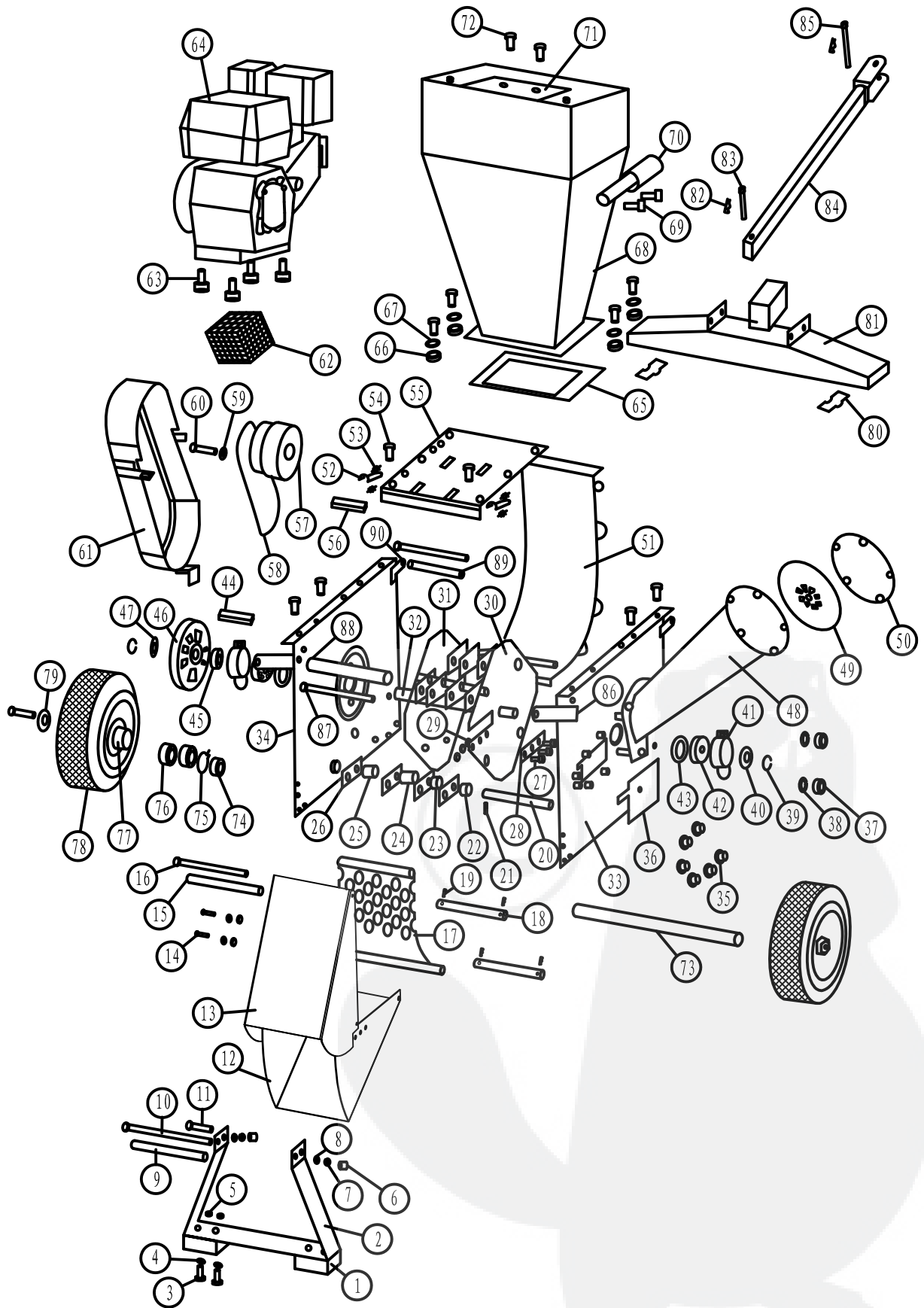


松土机 (13.0马力) 爆炸图



No.	Référence	Description	Qty	No.	Référence	Description	Qty
1	GN-FYS13L-1	rubber foot	2	46	GN-FYS13L-46	pulley	1
2	GN-FYS13L-2	leg	1	47	GN-FYS13L-47	spacer	1
3	GN-FYS13L-3	inner hexagon screw	4	48	GN-FYS13L-48	chipping chute	1
4	GN-FYS13L-4	flat washer	10	49	GN-FYS13L-49	rubber blanket	1
5	GN-FYS13L-5	locknut	10	50	GN-FYS13L-50	pressing ring	1
6	GN-FYS13L-6	nut	36	51	GN-FYS13L-51	rear board	1
7	GN-FYS13L-7	spring washer	43	52	GN-FYS13L-52	bag hook	2
8	GN-FYS13L-8	flat gasket	67	53	GN-FYS13L-53	lock washer	4
9	GN-FYS13L-9	tube	1	54	GN-FYS13L-54	hex bolt	2
10	GN-FYS13L-10	hex bolt	1	55	GN-FYS13L-55	engine lock plate	1
11	GN-FYS13L-11	hex bolt	34	56	GN-FYS13L-56	flat key	1
12	GN-FYS13L-12	discharge chute	1	57	GN-FYS13L-57	clutch	1
13	GN-FYS13L-13	baffle plate	1	58	GN-FYS13L-58	V-belt	1
14	GN-FYS13L-14	cruciform slot screw	4	59	GN-FYS13L-59	clutch gasket	1
15	GN-FYS13L-15	tube	1	60	GN-FYS13L-60	hex bolt	5
16	GN-FYS13L-16	hex bolt	4	61	GN-FYS13L-61	pulley cover	1
17	GN-FYS13L-17	screen	1	62	GN-FYS13L-62	burn-proof net	1
18	GN-FYS13L-18	long pin	2	63	GN-FYS13L-63	anti-rotating bolt	4
19	GN-FYS13L-19	B-pin	4	64	GN-FYS13L-64	engine	1
20	GN-FYS13L-20	hammer axle	4	65	GN-FYS13L-65	flange rubber pad	1
21	GN-FYS13L-21	roll pin	4	66	GN-FYS13L-66	buffer washer	4
22	GN-FYS13L-22	spacer I	4	67	GN-FYS13L-67	flat washer	8
23	GN-FYS13L-23	spacer II	4	68	GN-FYS13L-68	hopper	1
24	GN-FYS13L-24	spacer III	8	69	GN-FYS13L-69	cruciform slot screw	4
25	GN-FYS13L-25	spacer VI	4	70	GN-FYS13L-70	handle	2
26	GN-FYS13L-26	hammer	16	71	GN-FYS13L-71	PP plate	1
27	GN-FYS13L-27	flat HD SCR	3	72	GN-FYS13L-72	cruciform slot screw	2
28	GN-FYS13L-28	blade	1	73	GN-FYS13L-73	wheel axle	1
29	GN-FYS13L-29	locknut	30	74	GN-FYS13L-74	wheel bushing	2
30	GN-FYS13L-30	main impeller	1	75	GN-FYS13L-75	circlip for hole	2
31	GN-FYS13L-31	auxiliary impeller	1	76	GN-FYS13L-76	ball bearing	4
32	GN-FYS13L-32	impeller axle	1	77	GN-FYS13L-77	wheel bearing seat	2
33	GN-FYS13L-33	box frame side left	1	78	GN-FYS13L-78	wheel	2
34	GN-FYS13L-34	box frame side right	1	79	GN-FYS13L-79	wheel washer	2
35	GN-FYS13L-35	flange nut	6	80	GN-FYS13L-80	axle pressure plate	2
36	GN-FYS13L-36	blade cover plate	1	81	GN-FYS13L-81	wheel support	1
37	GN-FYS13L-37	nut	4	82	GN-FYS13L-82	B-pin	2
38	GN-FYS13L-38	spring washer	4	83	GN-FYS13L-83	hitch pin	1
39	GN-FYS13L-39	wire circ lip	2	84	GN-FYS13L-84	hitch trailer	1

40	GN-FYS13L-40	washer (left)	1	85	GN-FYS13L-85	long hitch pin	1
41	GN-FYS13L-41	impeller bearing sea	2	86	GN-FYS13L-86	front handle part	2
42	GN-FYS13L-42	ball bearing	2	87	GN-FYS13L-87	hex bolt	1
43	GN-FYS13L-43	bearing washer	2	88	GN-FYS13L-88	front handle	1
44	GN-FYS13L-44	flat key	1	89	GN-FYS13L-89	rear handle	1
45	GN-FYS13L-45	washer (right)	1	90	GN-FYS13L-90	rear handle part	2

