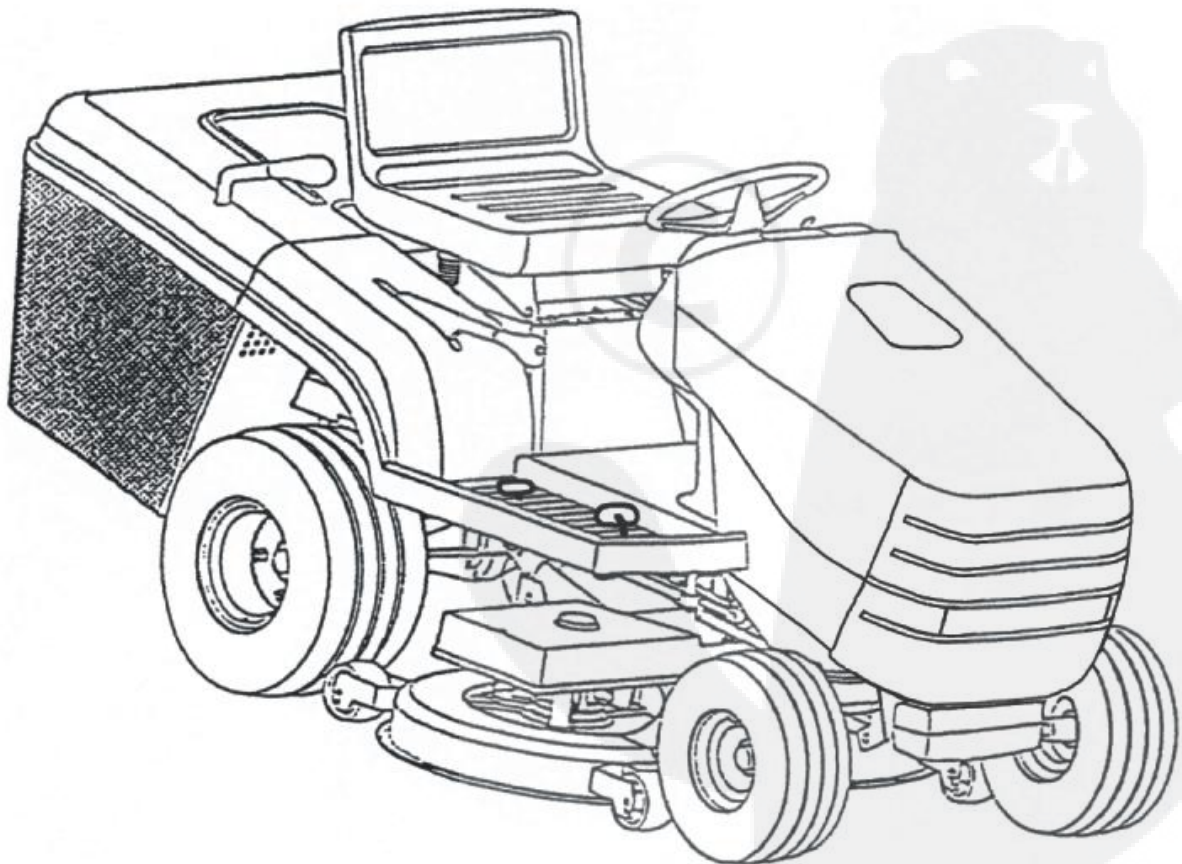


Lawn Tractor

Model TC 180 V-2

Spare Parts List Series 2005

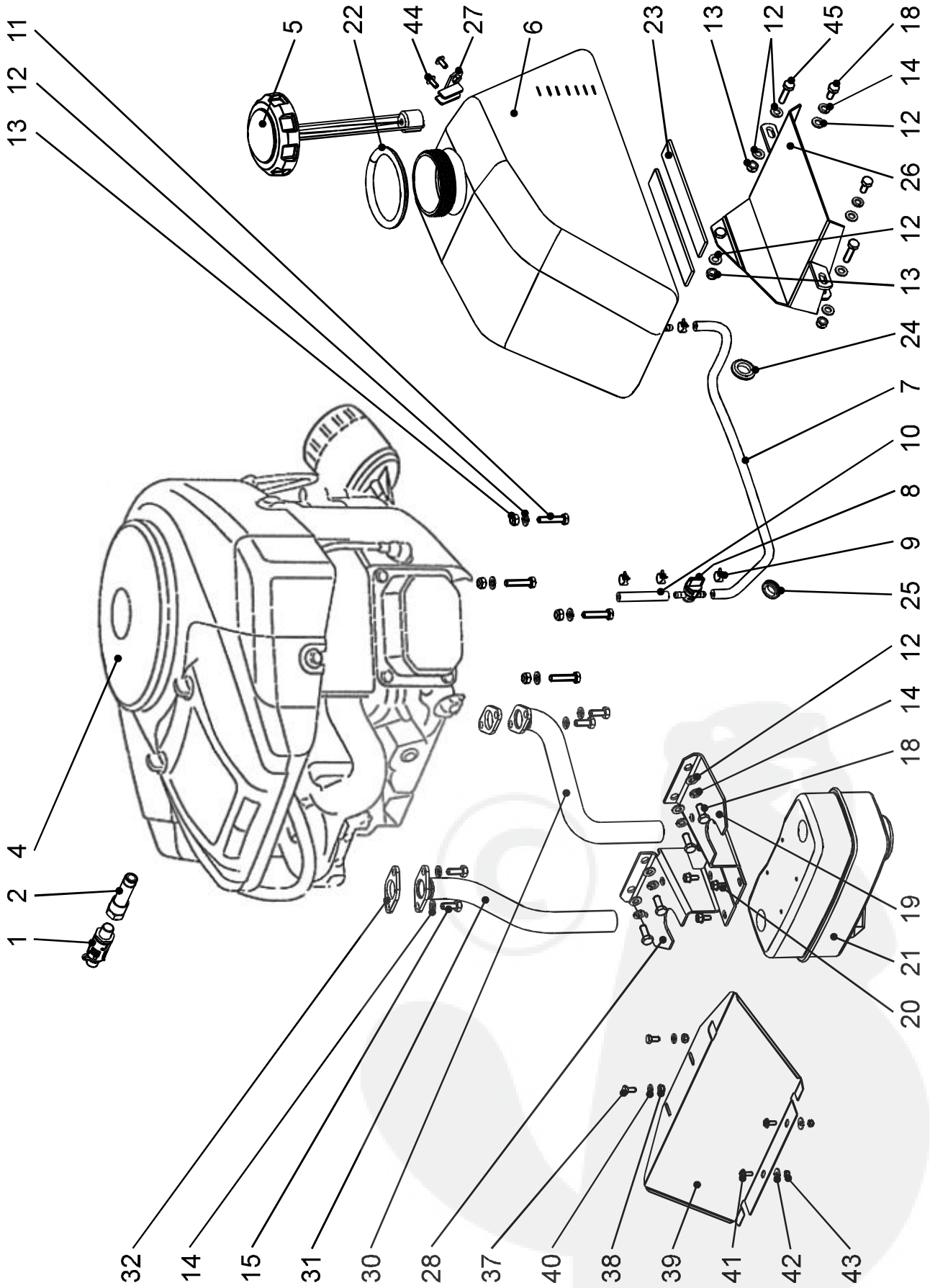


TC 180 V-2

- 1 ENGINE ASSEMBLY
- 2 FRONT AXLE
STEERING
- 3 TRANSMISSION DRIVE
- 4 OPERATION
 - MOWER/LIFT
 - BRAKE/BY-PASS
 - TRAVEL PEDALS
- 5 CUTTING PAN
 - MOWER HOUSING COMPL.
 - DRIVE SYSTEM
- 6 CHUTE - COLLECTOR ASSEMBLY
- 7 GRASS COLLECTOR ASSEMBLY
- 8 BODY ASSEMBLY
 - FENDER/SEAT
 - HOOD
- 9 ELECTRICAL
 - WIRING HARNESS COMPL.
 - SWITCHES (1)
 - SWITCHES (2)
- 10 DECALS/LABELS



ENGINE ASSEMBLY

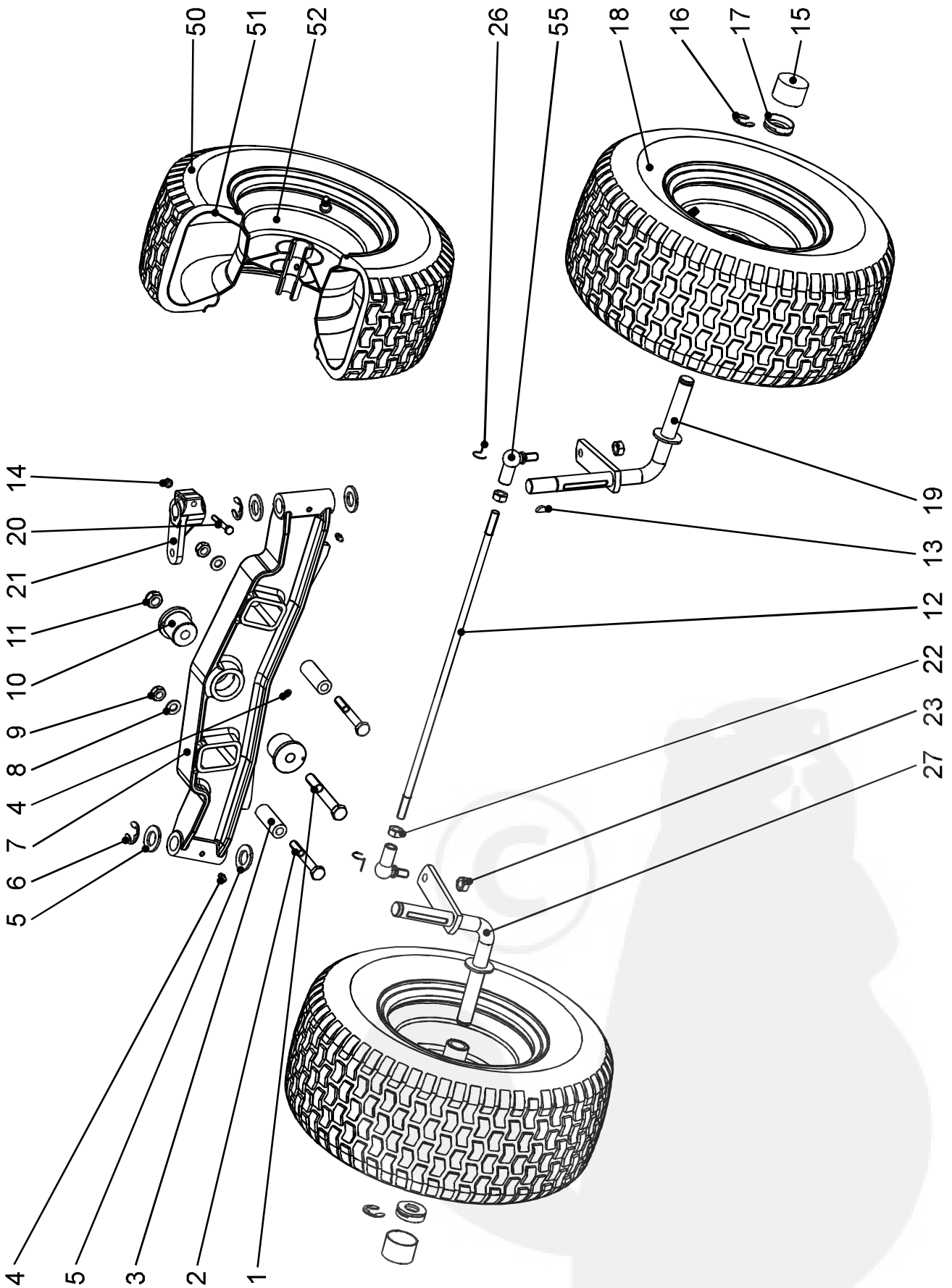


ENGINE ASSEMBLY

Section 1

GRP	POS.	PART NO.	DESCRIPTION	Q.TY	CODE
1	1	000888305	Oil drain valve	1	
1	2	201958449	Oil drain coupler	1	
1	4	000721802	Engine, INTEK V-TWIN 18 HP-B&S	1	
1	5	204959306	Fuel tank cap	1	
1	6	204958344	Fuel tank	1	
1	7	204056368	Fuel line 860mm	1	
1	8	000476300	Fuel tank valve	1	
1	9	000318164	Fuel line clamp UM 5008	4	
1	10	200058527	Fuel line 320mm	1	
1	11	000299530	Hex screw M8x35 DIN 933 8.8	4	
1	12	000291500	Flat washer 8.4 DIN 125 A	15	
1	13	000280885	Self locking nut M8 DIN 985 Cl.8	7	
1	14	000201003	Spring washer 8 DIN 127 B	10	
1	15	000201531	Exhaust screw 5/16-18NC 3/4 LG	4	
1	18	000244563	Hex screw M8x20 DIN 933 8.8	6	
1	19	195800062	Muffler heat guard, left	1	
1	20	505900065	Taptite thread form screw M6x12 DIN 7500 D	4	
1	21	505900054	Muffler	1	
1	22	204056367	Seaming profil	1	
1	23	204056363	Insert	2	
1	24	820002202	Bushing 18x2	1	
1	25	203800004	Bushing 16x2 KD 7	1	
1	26	204958051	Fuel tank holder	1	
1	27	204958050	Holder	1	
1	28	195800926	Muffler heat guard, right	1	
1	30	595900101	Exhaust tube, left - INTEK	1	
1	31	595900102	Exhaust tube, right - INTEK	1	
1	32	571001801	Exhaust gasket 18 HP - INTEK	2	
1	37	000247357	Screw M6x12 DIN 933 8.8	2	
1	38	000283118	Self locking nut M6 DIN 985 Cl.8	2	
1	39	200058399	Heat shield	1	
1	40	000290389	Flat washer 6.4 DIN 125 A	2	
1	41	000259094	Screw M5x12 Ecofix 4.8	2	
1	42	000239448	Flat washer 5.3 DIN 9021 B	2	
1	43	000285912	Self locking nut M5 DIN 985 Cl.8	2	
1	44	204601206	Screw M6x12 BN 11 252 10.9	2	
1	45	000245124	Hex screw M8x30 DIN 933 8.8	2	

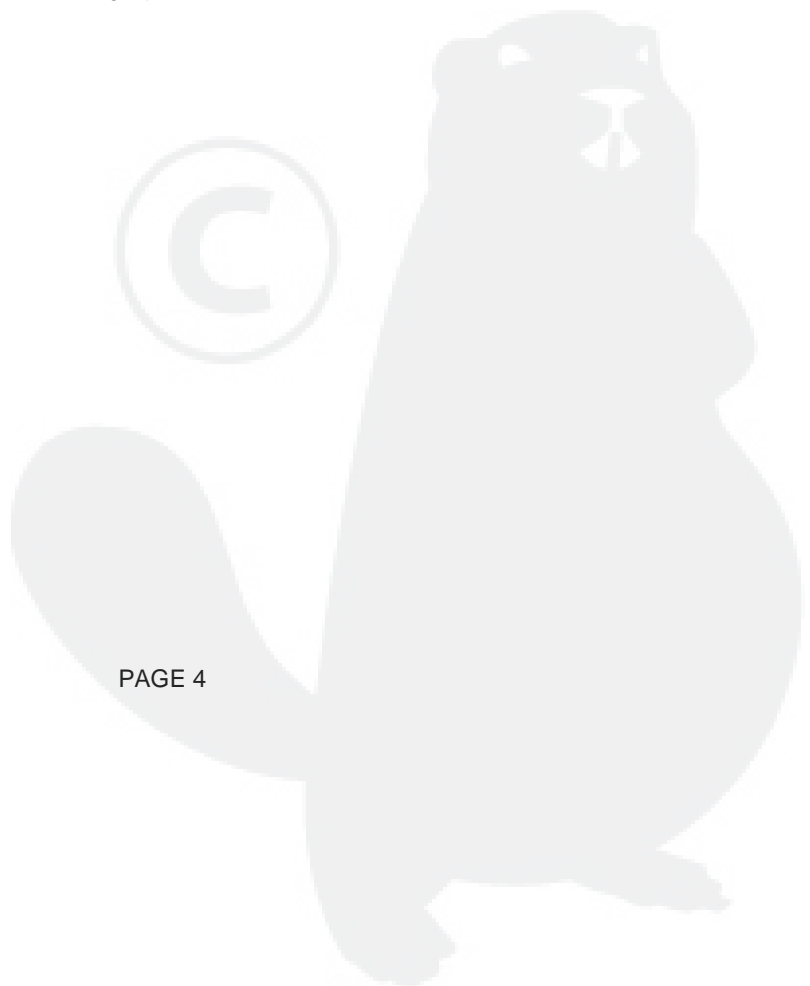
FRONT AXLE



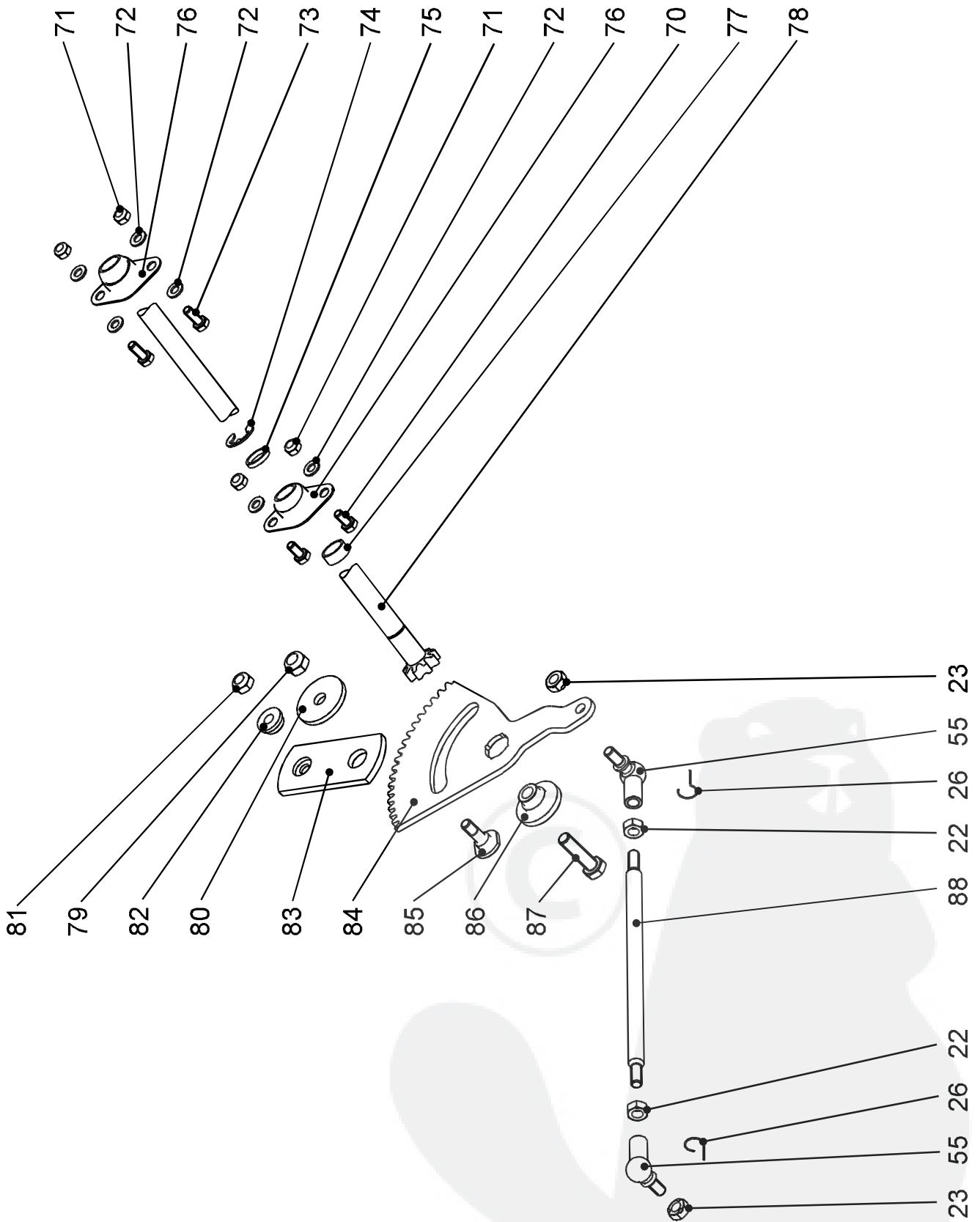
FRONT AXLE

Section 2

GRP	POS.	PART NO.	DESCRIPTION	Q.TY	CODE
2	1	221012090	Hex screw M12x90 DIN 931 8.8	1	
2	2	201221175	Hex screw M10x75 DIN 931 8.8	2	
2	3	201058447	Spacer	2	
2	4	000740113	Grease fitting MK 6 DIN 71412	3	
2	5	000295966	Flat washer 19 DIN 125 A	4	
2	6	000230230	Spring clip 15 DIN 6799	2	
2	7	000093852	Front axle	1	
2	8	000292061	Flat washer 10.5 DIN 125 A	2	
2	9	000281446	Self locking nut M10 DIN 985 Cl.8	2	
2	10	505900004	Front axle bushing	2	
2	11	000282557	Self locking nut M12 DIN 982 Cl.8	1	
2	12	000069080	Tie rod front axle	1	
2	13	000207152	Square key 5x7.5 DIN 6888	1	
2	14	000283118	Self locking nut M6 DIN 985 Cl.8	1	
2	15	000407121	Hub cap SC 1-1/2	2	
2	16	000230230	Spring Clip 15 DIN 6799	2	
2	17	204958041	Washer with tube	2	
2	18	204959299	Front tyre wheel assy 16x6.5-8 KST	2	
2	19	200958719	Spindle, left	1	
2	20	221006045	Hex screw M6x45 DIN 931 8.8	1	
2	21	200058647	Steering spindle lever for Y2K	1	
2	22	000273625	Hex nut M10 DIN 934 Cl.8	2	
2	23	204101006	Self locking nut M10 DIN 980 8/V	2	
2	26	000235246	Locking stirrups 16 DIN 71805 S	2	
2	27	200958718	Spindle, right	1	
2	50	204598001	Tyre 16x6.5-8 KENDA SUPER TURF	2	
2	51	000415426	Tube 16x6.5-8	2	
2	52	204598024	Rim complete 16x6.5-8	2	
2	55	195800901	Ball angle joint 16	2	

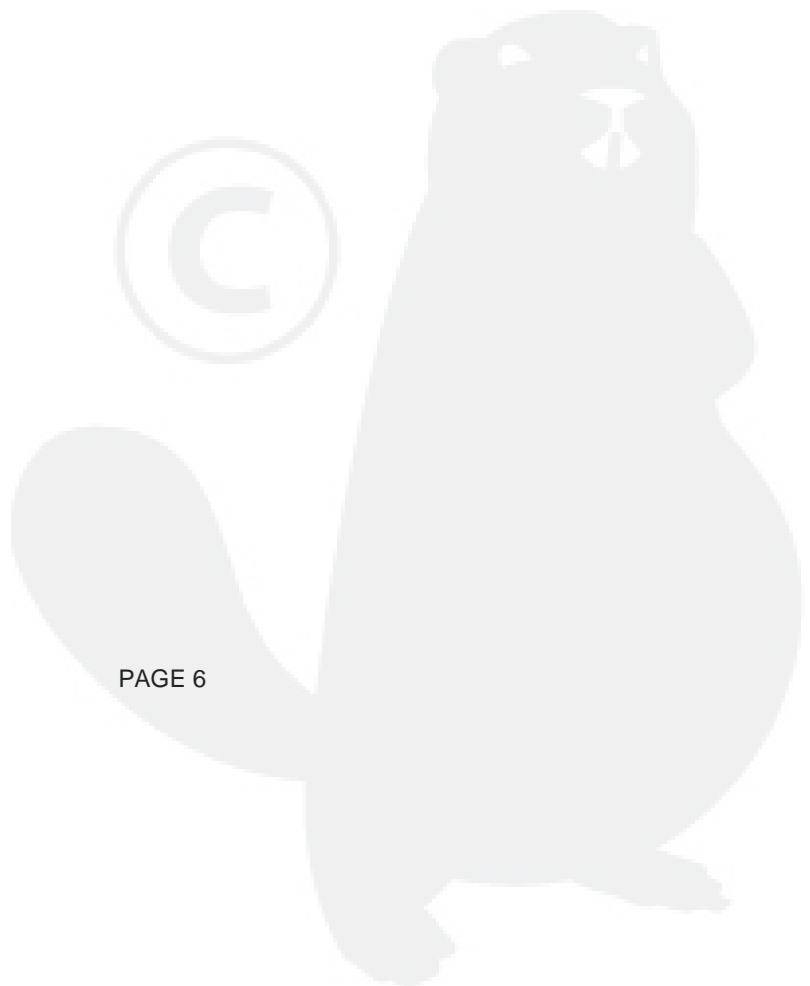
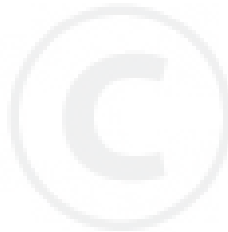


STEERING

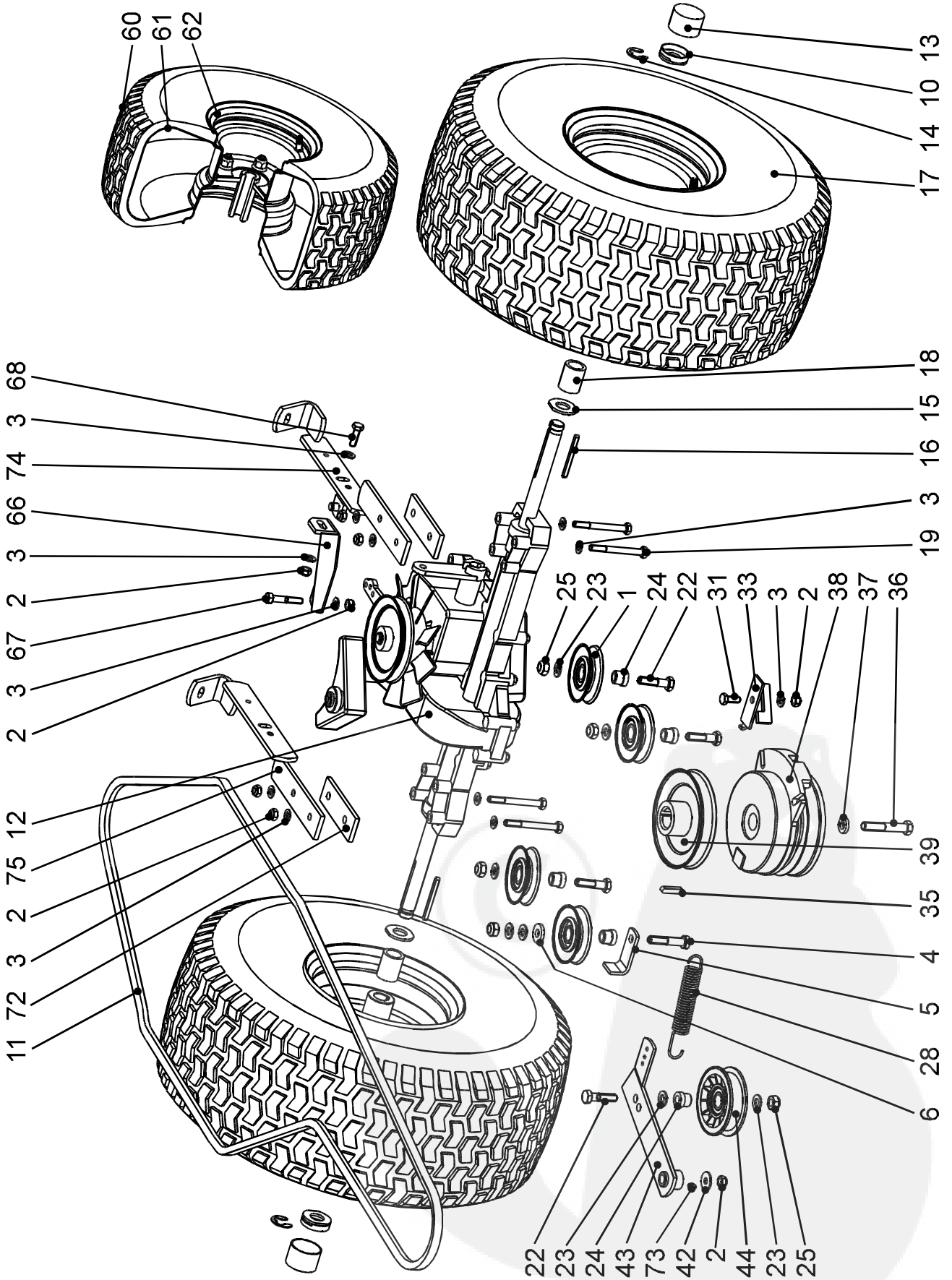


STEERING
Section 2

GRP	POS.	PART NO.	DESCRIPTION	Q.TY	CODE
2	22	000273625	Hex nut M10 DIN 934 Cl.8	2	
2	23	204101006	Self locking nut M10 DIN 980 8/V	2	
2	26	000235246	Locking stirrups 16 DIN 71805 S	2	
2	55	195800901	Ball angle joint 16	2	
2	70	000243441	Hex screw M8x16 DIN 933 8.8	2	
2	71	000280885	Self-locking nut M8 DIN 985 Cl.8	4	
2	72	000291500	Flat washer 8.4 DIN 125 A	6	
2	73	000244563	Hex screw M8x20 DIN 933 8.8	2	
2	74	000230230	Spring clip C15 DIN 6799	1	
2	75	105800970	Spacer, upper	1	
2	76	505900002	Spherical bearing FJB 12	2	
2	77	105800969	Spacer, lower	1	
2	78	195800920	Steering shaft pinion gear	1	
2	79	000282557	Self-locking nut M12 DIN 985 Cl.8	1	
2	80	505900043	Eccentric bolt washer 12.4x50x5	1	
2	81	000281446	Self-locking nut M10 DIN 985 Cl.8	1	
2	82	201058244	Bushing	1	
2	83	201058248	Steering plate	1	
2	84	000040667	Sector gear	1	
2	85	201058246	Shoulder bolt	1	
2	86	201058247	Steering pin	1	
2	87	220012045	Hex screw M12x45 DIN 933 8.8	1	
2	88	000050413	Drag link	1	



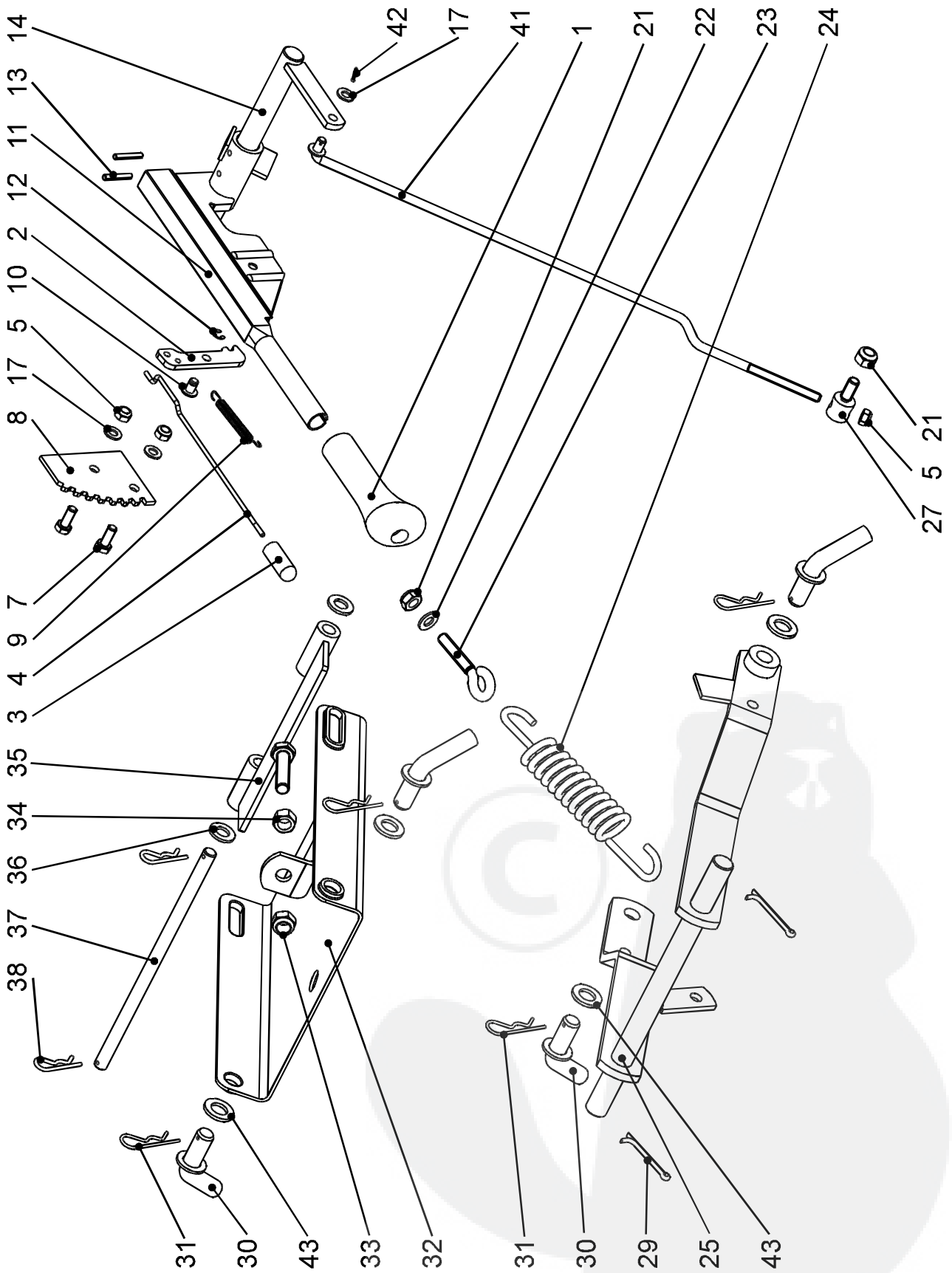
TRANSMISSION DRIVE



TRANSMISSION DRIVE

Section 3

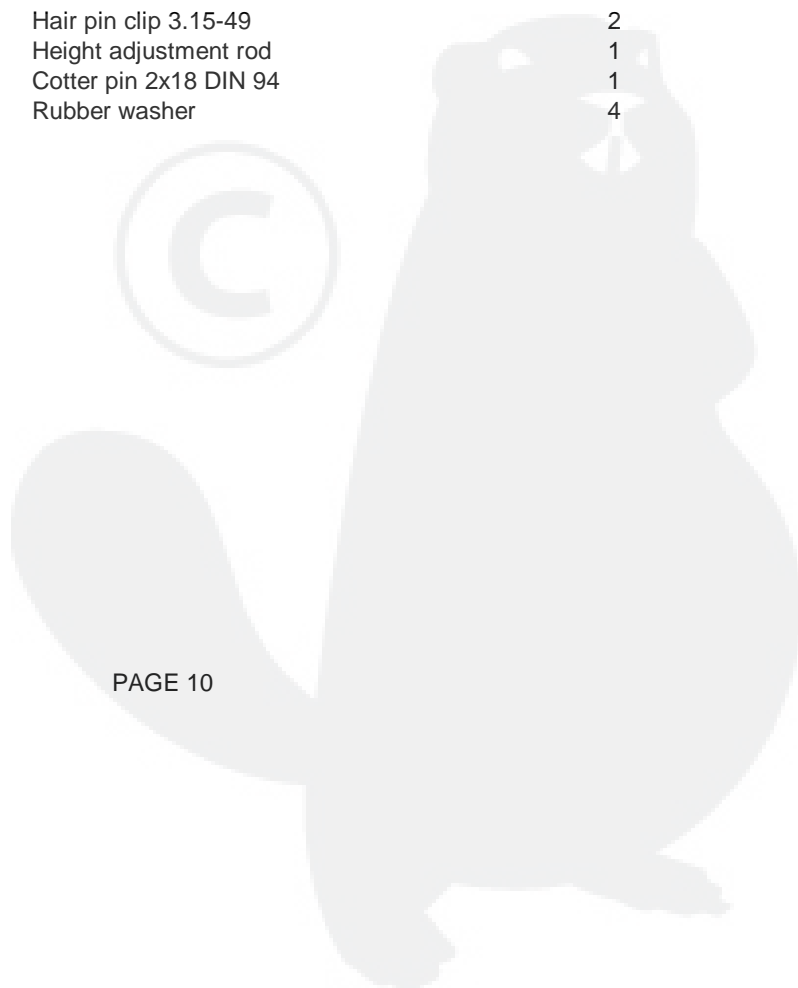
GRP	POS.	PART NO.	DESCRIPTION	Q.TY	CODE
3	1	505900074	Idler pulley V3000-3316-steel	4	
3	2	000280885	Self locking nut M8 DIN 985 Cl.8	8	
3	3	000291500	Flat washer 8.4 DIN 125 A	12	
3	4	201852564	Hex screw M10x50 DIN 931 8.8	1	
3	5	201058144	Retainer	1	
3	6	201852454	Flat washer 10.5 DIN 7349	1	
3	10	204958041	Washer with tube	2	
3	11	200492077	Traction v-belt La 103	1	
3	12	000358698	Tuff Torq transmission K46	1	
3	13	000407121	Hub cap SC 1-1/2 - black	2	
3	14	000230230	Spring clip 15 DIN 6799	2	
3	15	000096349	Washer	2	
3	16	000299299	Square key 3/16x3/16x2.5	2	
3	17	203959262	Rear tyre wheel assy 20x10.00-8 KST	2	
3	18	200058432	Spacer, axle	2	
3	19	201221875	Hex screw M8x75 DIN 931 8.8	4	
3	22	000238414	Hex screw M10x40 DIN 931 8.8	4	
3	23	000292061	Flat washer 10.5 DIN 125 A	7	
3	24	000091993	Idler bushing	5	
3	25	000281446	Self locking nut M10 DIN 985 Cl.8	5	
3	28	200058260	Spring	1	
3	31	000244563	Hex screw M8x20 DIN 933 8.8	1	
3	33	000924605	Retainer	1	
3	35	000273955	Square key 1/4x1/4x1-1/4	1	
3	36	000294833	Clutch bolt 7/16-20x2-1/2 LG	1	
3	37	000276012	Spring washer 7/16	1	
3	38	000892595	El. magnet clutch Warner MSS-80C 5217-9	1	
3	39	200959137	Engine pulley	1	
3	42	000298760	Flat washer 8.4 DIN 9021 B	1	
3	43	200958721	Idler arm	1	
3	44	000786445	Idler pulley F 3000-0750	1	
3	60	204598004	Tyre 20x10.00-8 KENDA SUPER TURF	2	
3	61	000496826	Tube 20x10.00-8	2	
3	62	204598018	Rim complete 20x10.00-8	2	
3	66	200958444	Stabilizer	1	
3	67	000221845	Screw M8x45 DIN 931 10.9	1	
3	68	000246235	Screw M8x25 DIN 933 8.8	1	
3	72	201058448	Support plate	2	
3	73	000740113	Grease fitting MK 6 DIN 71412	1	
3	74	203958746	Bracket, left	1	
3	75	203958007	Bracket, right	1	

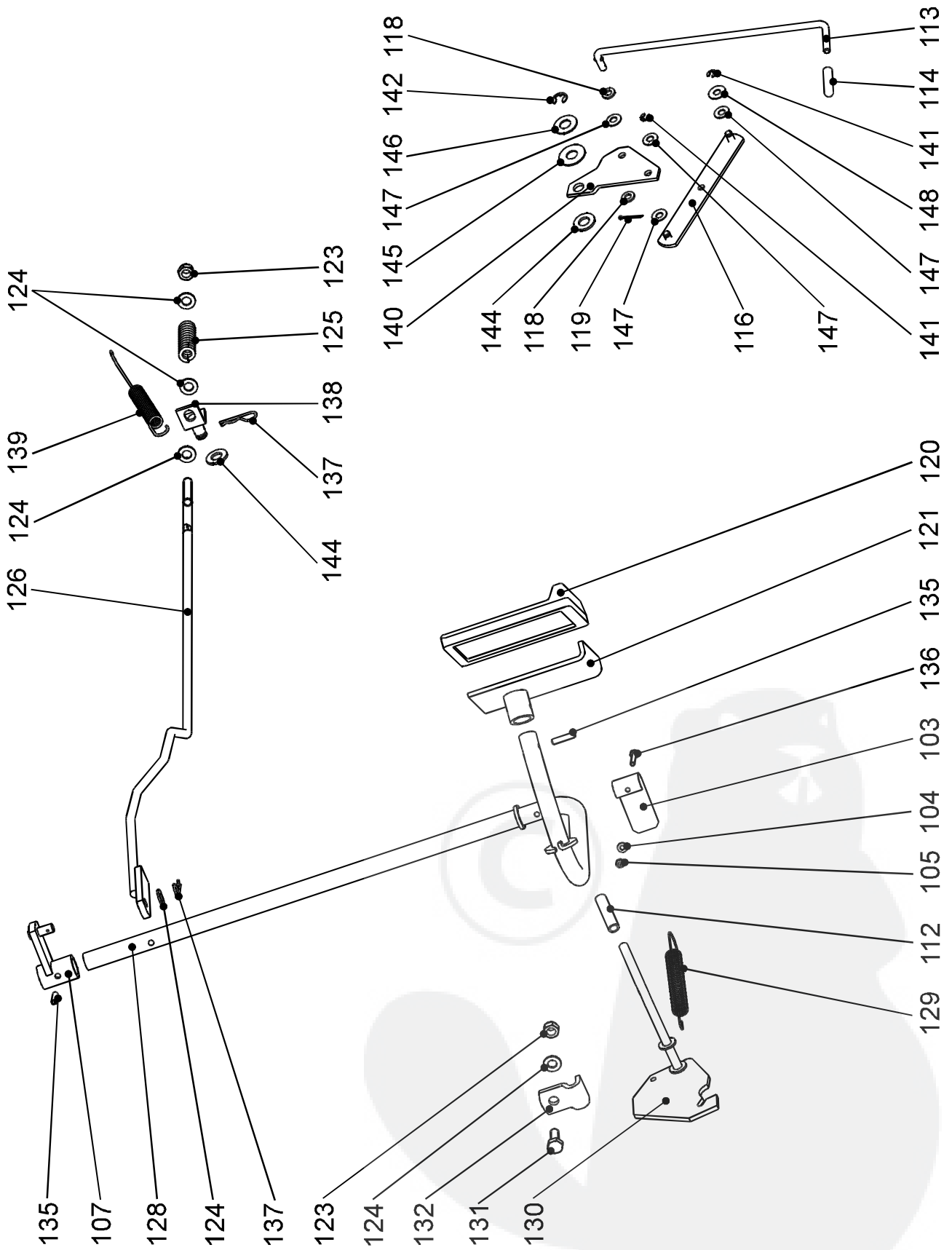


OPERATION - MOWER/LIFT

Section 4

GRP	POS.	PART NO.	DESCRIPTION	Q.TY	CODE
4	1	000784256	Handle grip - black	1	
4	2	000015994	Ratchet pivot plate	1	
4	3	000403535	Plunger button - black	1	
4	4	000045639	Connection rod	1	
4	5	000280885	Self-locking nut M8 DIN 985 Cl.8	3	
4	7	000244563	Hex screw M8x20 DIN 933 8.8	2	
4	8	201058107	Gear segment	1	
4	9	000001485	Spring	1	
4	10	105800953	Arm lever pin	1	
4	11	000926222	Height adjustment arm lever	1	
4	12	275200006	Clip for pin 6 DIN 6799	1	
4	13	000324467	Spring pin 5x30 DIN 1481	2	
4	14	201958365	Height adjuster shaft	1	
4	17	000291500	Flat washer 8.4 DIN 125 A	3	
4	21	000281446	Self-locking nut M10 DIN 985 Cl.8	2	
4	22	000292061	Flat washer 10.5 DIN 125 A	1	
4	23	000910283	Eye bolt M10x50x14 - Zc	1	
4	24	000080608	Lift spring	1	
4	25	000957110	Pivot arm assy	1	
4	27	000072985	Lifting pin	1	
4	29	000235323	Cotter pin 5x50 DIN 94	2	
4	30	202958277	Bent pin	4	
4	31	000033242	Hair pin 2.5-63	4	
4	32	000965305	Front suspension mower deck	1	
4	33	000282557	Self-locking nut M12 DIN 985 Cl.8	1	
4	34	000228019	Hex nut M12 DIN 934 Cl.8	1	
4	35	000918005	Front holder	1	
4	36	000293172	Flat washer 13 DIN 125 A	2	
4	37	000037246	Pin	1	
4	38	000075812	Hair pin clip 3.15-49	2	
4	41	200958670	Height adjustment rod	1	
4	42	000282218	Cotter pin 2x18 DIN 94	1	
4	43	202056038	Rubber washer	4	

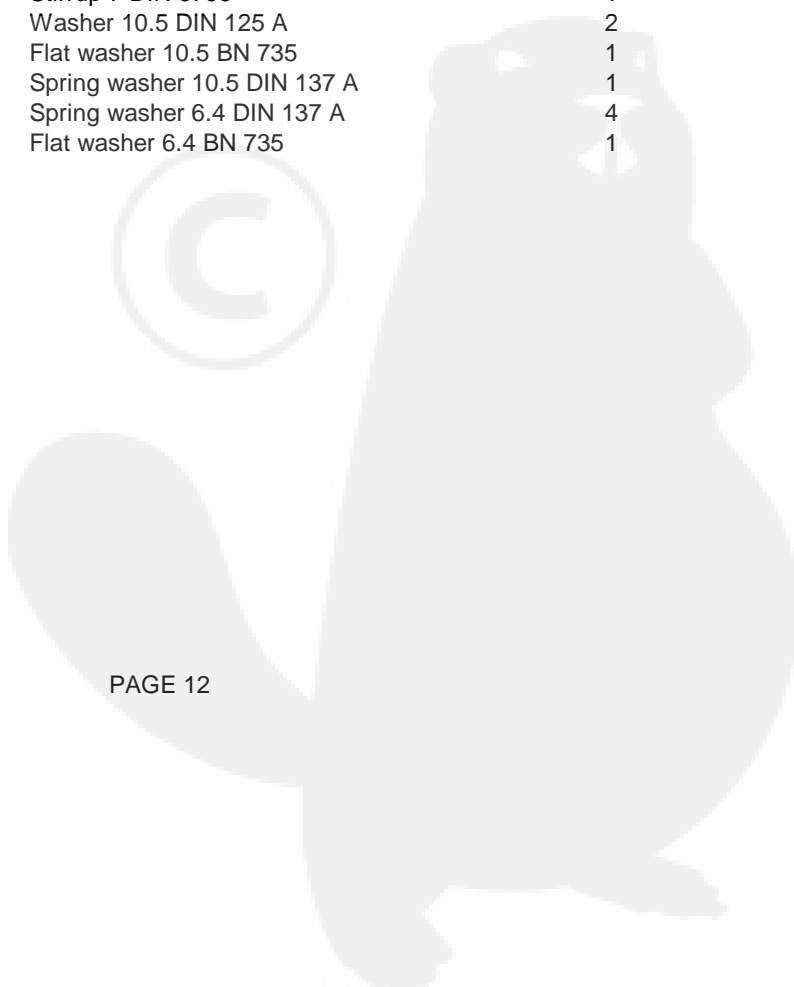




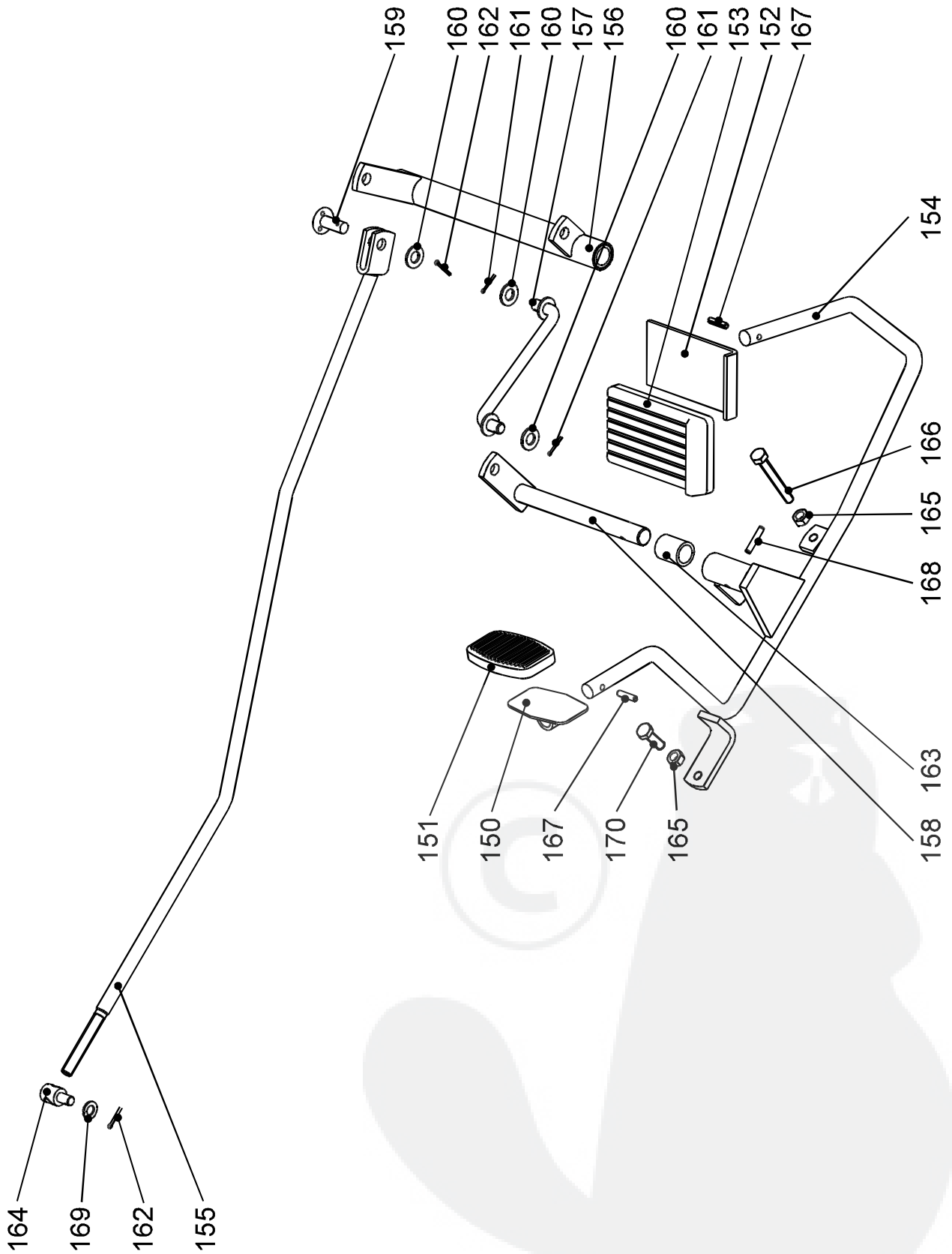
OPERATION - BRAKE/BYPASS

Section 4

GRP	POS.	PART NO.	DESCRIPTION	Q.TY	CODE
4	103	105800975	Spring lever	1	
4	104	000200090	Flat washer 4.3 DIN 125 A	1	
4	105	000284240	Self locking nut M4 DIN 985 Cl.8	1	
4	107	200958754	Bracket, brake rod	1	
4	112	000406560	Caps A281/B1 1/2	1	
4	113	200058634	Lever bypass	1	
4	114	204056342	Plastic cap	1	
4	116	201958399	Arm, by-pass lever	1	
4	118	000290389	Flat washer 6.4 DIN 125 A	2	
4	119	200258742	Cotter pin 1.6x12 DIN 94	1	
4	120	000411312	Pedal pad - black	1	
4	121	195800998	Pedal	1	
4	123	000280885	Self locking nut M8 DIN 985 Cl.8	2	
4	124	000291500	Flat washer 8.4 DIN 125 A	5	
4	125	000054340	Brake spring	1	
4	126	200958651	Brake connecting rod	1	
4	128	200958707	Brake - shaft	1	
4	129	000060280	Hand brake spring	1	
4	130	195800964	Hand brake lever	1	
4	131	000244563	Hex screw M8x20 DIN 933 8.8	1	
4	132	000048400	Parking brake lever clamp	1	
4	135	000291610	Spring pin 5x22 DIN 1481	2	
4	136	220004025	Hex screw M4x25 DIN 933 8.8	1	
4	137	200059136	Hair pin 1.8-36	2	
4	138	200958761	Bracket, brake rod	1	
4	139	200058690	Spring	1	
4	140	201058193	Plate by-pass	1	
4	141	200208243	Stirrup 4 DIN 6799	2	
4	142	000208263	Stirrup 7 DIN 6799	1	
4	144	000292061	Washer 10.5 DIN 125 A	2	
4	145	201878008	Flat washer 10.5 BN 735	1	
4	146	201852111	Spring washer 10.5 DIN 137 A	1	
4	147	201852112	Spring washer 6.4 DIN 137 A	4	
4	148	201878006	Flat washer 6.4 BN 735	1	



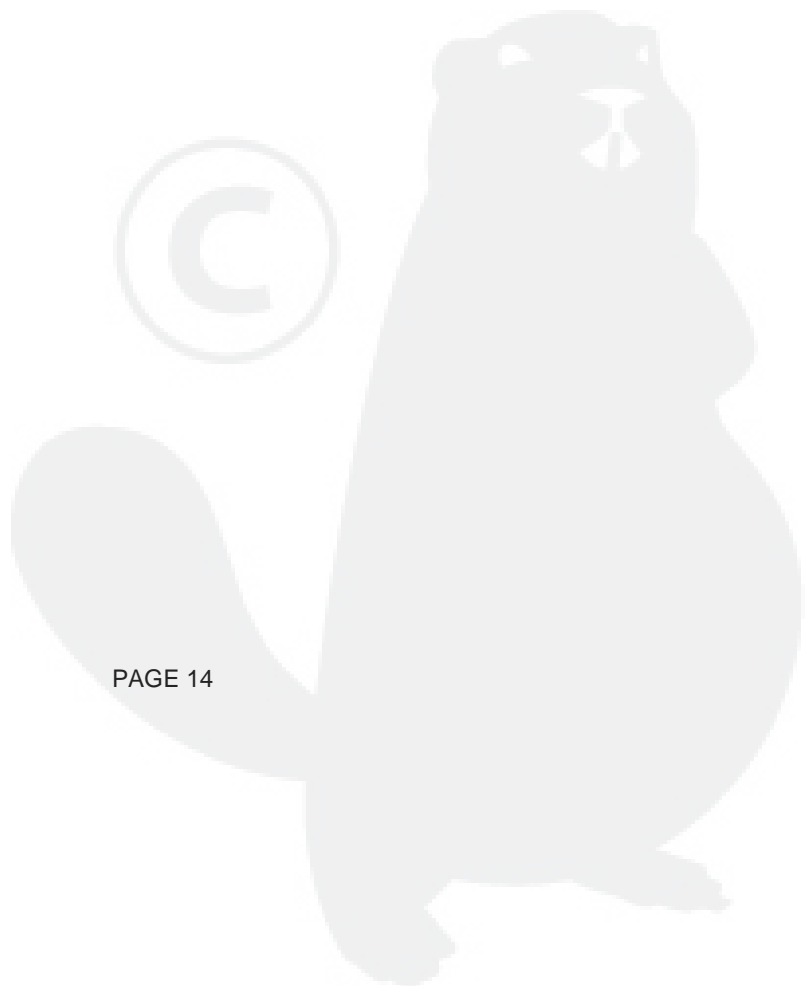
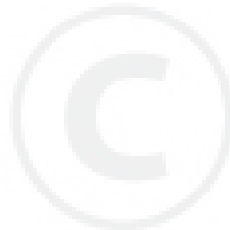
OPERATION - TRAVEL PEDALS

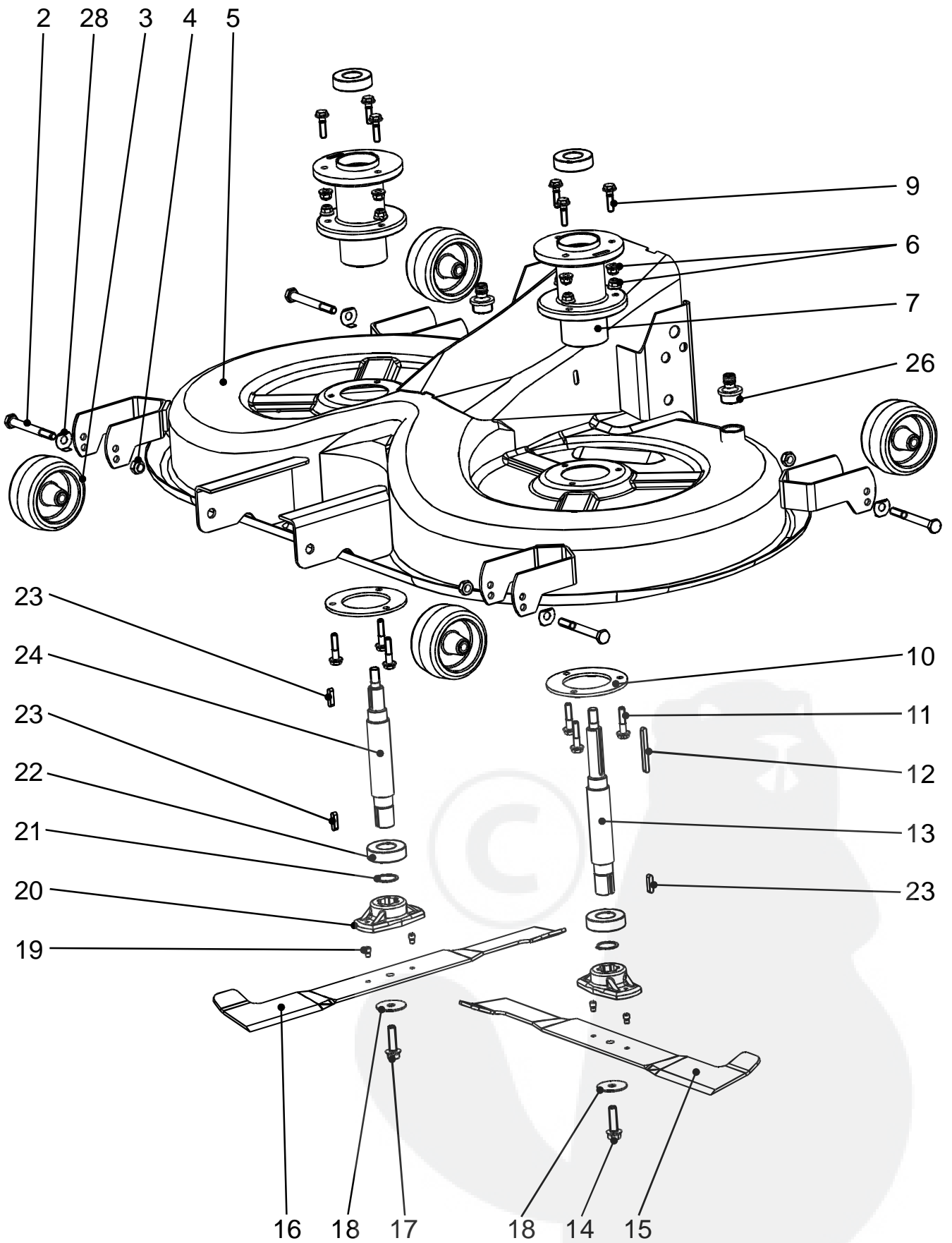


OPERATION - TRAVEL PEDALS

Section 4

GRP	POS.	PART NO.	DESCRIPTION	Q.TY	CODE
4	150	200958756	Travel pedal, rear	1	
4	151	000406901	Pedal pad - Skoda	1	
4	152	203958202	Travel pedal, front	1	
4	153	202056153	Pedal pad, front	1	
4	154	200958752	Travel pad weldment	1	
4	155	200958755	Tie rod	1	
4	156	200958760	Diagonal shaft	1	
4	157	203958216	Formed link	1	
4	158	200958758	Diagonal shaft	1	
4	159	200058594	Pin	1	
4	160	000292061	Washer 10.5 DIN 125 A	3	
4	161	000282218	Cotter pin 2x18 DIN 94	2	
4	162	000255530	Cotter pin 2.5x18 DIN 94	2	
4	163	200058606	Spacer	1	
4	164	200058618	Pin	1	
4	165	000272503	Nut M8 DIN 934 Cl.8	2	
4	166	204208605	Screw M8x60 DIN 933 8.8	1	
4	167	000291610	Spring pin 5x22 DIN 1481	2	
4	168	203126311	Spring pin 5x26 ISO 8748	1	
4	169	200296000	Washer 9 DIN 126	1	
4	170	000246235	Screw M8x25 DIN 933 8.8	1	





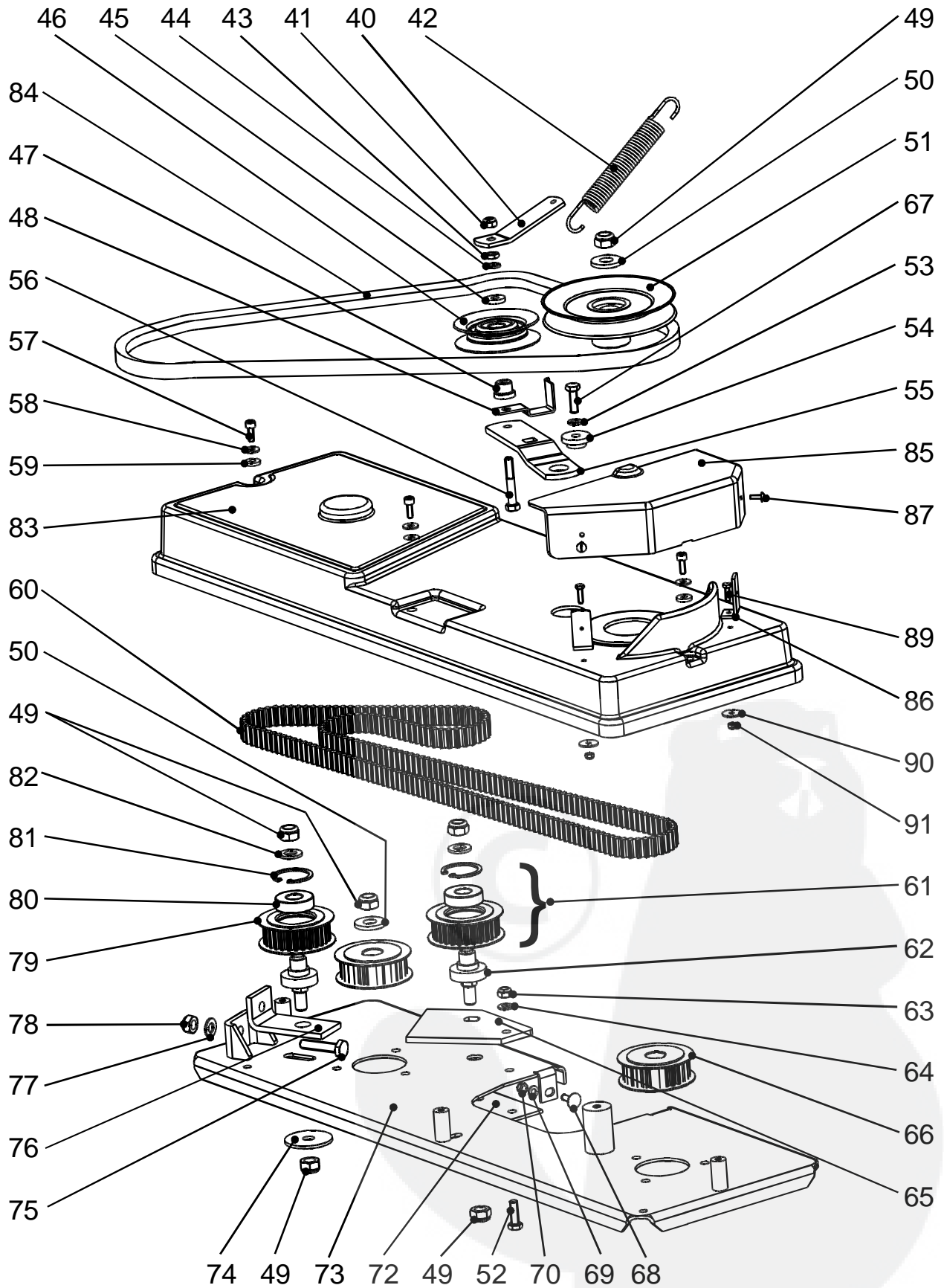
CUTTING PAN - MOWER HOUSING COMPL.

Section 5

GRP	POS.	PART NO.	DESCRIPTION	Q.TY	CODE
5	1	200119023	Cutting system, complete	1	
5	2	221010090	Hex screw M10x90 DIN 931 8.8	4	
5	3	105700018	Gauge wheel	4	
5	4	000281446	Self locking nut M10 DIN 985 Cl.8	4	
5	5	200958647	Mower housing, complete	1	
5	6	232108008	Self locking flange nut M8 DIN 6926 Cl.8	12	
5	7	203056136	Quill housing	2	
5	9	201852083	Hex flange bolt M8x30 DIN 6921 8.8	6	
5	10	505900059	Ring support	2	
5	11	222008035	Hex flange bolt M8x35 DIN 6921 8.8	6	
5	12	000106590	Key 6h9x6x63 DIN 6885 A	1	
5	13	105800988	Blade shaft, left	1	
5	14	000233453	Hex screw M10x1x35	1	
5	15	204056397	Blade, left	1	
5	16	204056396	Blade, right	1	
5	17	000245025	Hex screw M10x1x35, left	1	
5	18	505900073	Belleville washer 40x10.2x2x3.1	2	
5	19	000281490	Grooved shear pin	4	
5	20	202058022	Blade adaptor	2	
5	21	000296076	Locking ring 25 DIN 471	2	
5	22	201878010	Bearing 6205 2RS P6	4	
5	23	000206030	Square key 6h9x6x25 DIN 6885 A	3	
5	24	105800987	Blade shaft, right	1	
5	26	203001020	Plastic connection 3/4"	2	
5	28	201852163	Washer 10.5 DIN 93	4	



CUTTING PAN - DRIVE SYSTEM

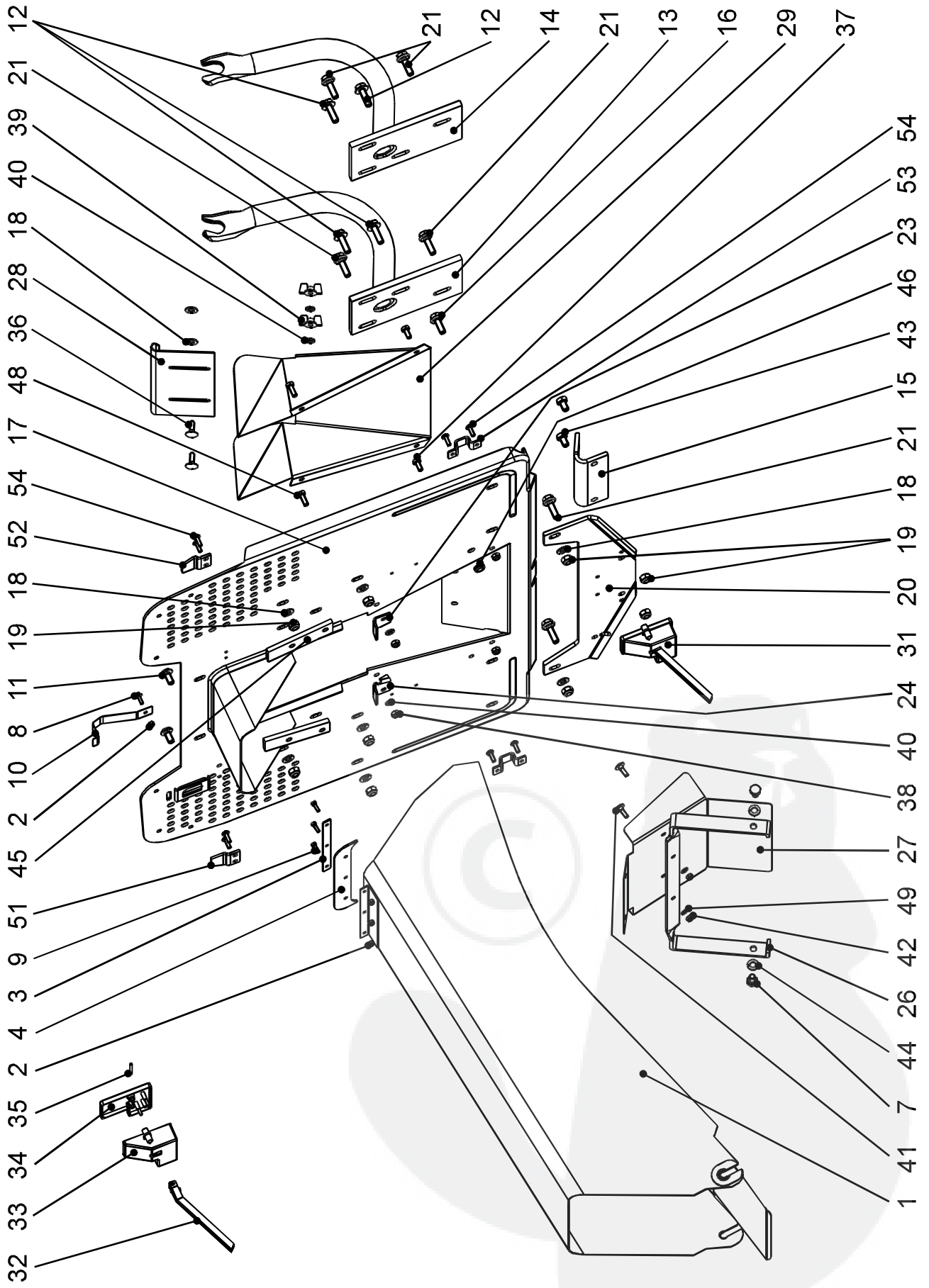


CUTTING PAN - DRIVE SYSTEM

Section 5

GRP	POS.	PART NO.	DESCRIPTION	Q.TY	CODE
5	40	000013783	Engagement lever	1	
5	41	000280885	Self locking nut M8 DIN 985 Cl.8	1	
5	42	000320870	Spring	1	
5	43	000224730	Hex nut M8 DIN 439 B Cl.04	1	
5	44	000201003	Spring washer 8 DIN 127 B	1	
5	45	000298761	Flat washer 8.4 DIN 7349	1	
5	46	000785884	Idler pulley W3500 - 3712	1	
5	47	105800931	Bushing	1	
5	48	105800943	Belt retainer	1	
5	49	000282557	Self locking nut M12 DIN 985 Cl.8	6	
5	50	000078573	Flat washer	2	
5	51	000903606	Drive pulley	1	
5	52	000246235	Hex screw M8x25 DIN 933 8.8	1	
5	53	000202114	Spring washer 10 DIN 127 B	1	
5	54	204056386	Shoulder spacer	1	
5	55	105800944	Idler arm	1	
5	56	000221850	Hex screw M8x50 DIN 931 8.8	1	
5	57	203258354	Hex screw M6x16 DIN 912 8.8	3	
5	58	271030064	Flat washer 6.4 BN 737	3	
5	59	105800863	Rubber washer 6.4	3	
5	60	202248107	Cog belt 20DS 8M 1760 Bando	1	
5	61	195800954	Cog pulley assy	2	
5	62	105800928	Cog pulley pin	2	
5	63	000280885	Self locking nut M8 DIN 985 Cl.8	1	
5	64	000291500	Flat washer 8.4 DIN 125 A	1	
5	65	105800945	Pulley support	1	
5	66	000993663	Drive cog pulley 28	2	
5	67	000267476	Hex screw M10x25 DIN 933 8.8	1	
5	68	240306016	Carriage bolt M6x16 DIN 603 6.8	1	
5	69	000290389	Flat washer 6.4 DIN 125 A	1	
5	70	000283118	Self locking nut M6 DIN 985 Cl.8	1	
5	72	105800946	Flat washer	1	
5	73	204958037	Blade drive plate assy	1	
5	74	505900043	Cog pulley washer	1	
5	75	220010045	Hex screw M10x45 DIN 933 8.8	1	
5	76	105800947	Bracket idler	1	
5	77	000292061	Flat washer 10.5 DIN 125 A	1	
5	78	000281446	Self locking nut M10 DIN 985 Cl.8	1	
5	79	195800887	Cog pulley 28	2	
5	80	201878011	Bearing 6203 2RS P6	2	
5	81	275100040	Locking ring 40 DIN 472	2	
5	82	000293172	Flat washer 13 DIN 125 A	2	
5	83	105700013	Belt cover - black	1	
5	84	000492063	V-Belt 17x1350 B53 - Mitsuboshi	1	
5	85	203056142	Drive pulley cover - black	1	
5	86	203056019	Cover holder	2	
5	87	203125378	Bolt M4x12 4.6 BN 354	2	
5	89	000254067	Hex screw M5x16 DIN 933 8.8	2	
5	90	203125377	Flat washer 5x20 BN 732	2	
5	91	000285912	Self locking nut M5 DIN 985 Cl.8	2	

CHUTE - COLLECTOR ASSEMBLY

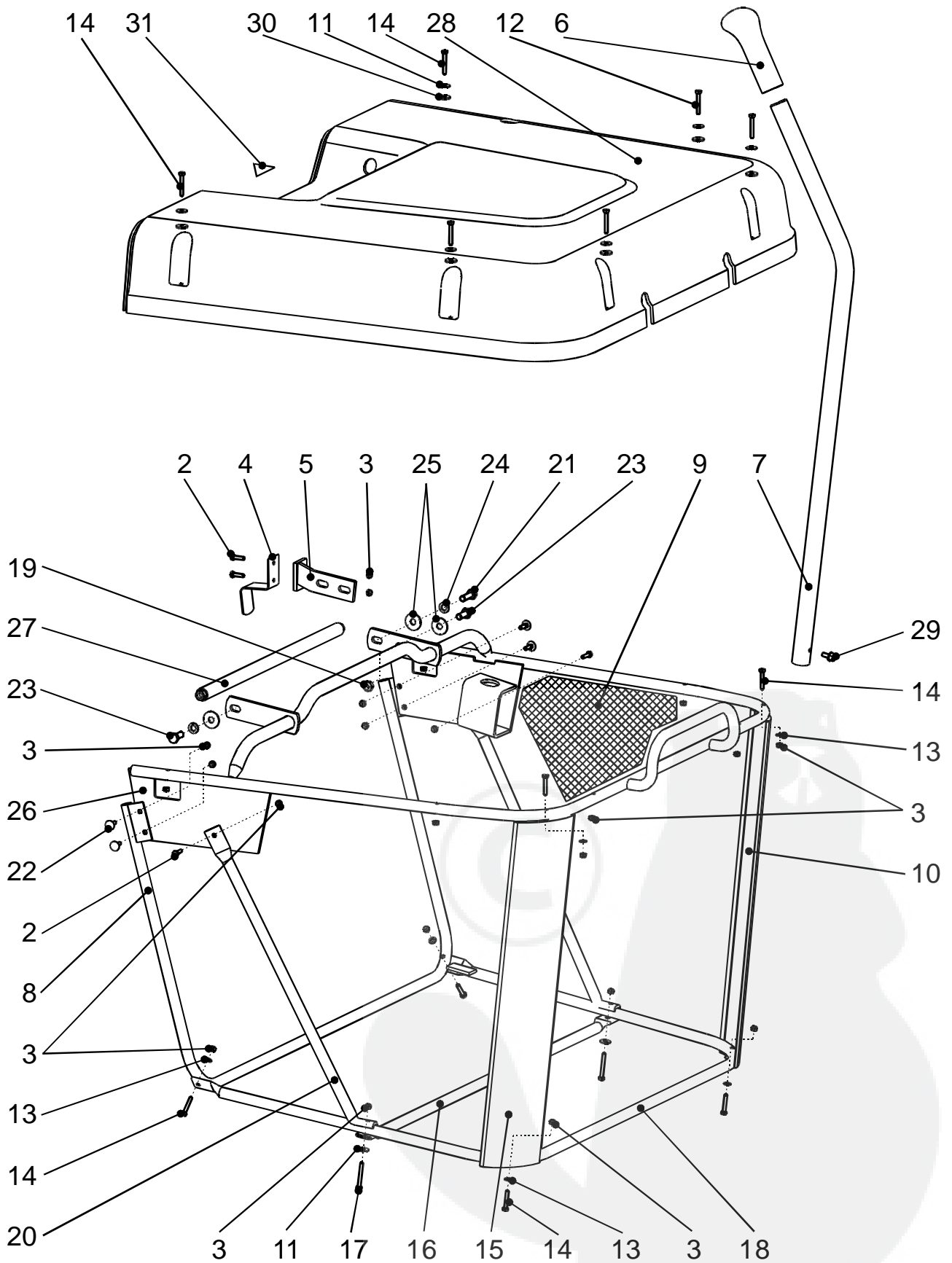


CHUTE - COLLECTOR ASSEMBLY

Section 6

GRP	POS.	PART NO.	DESCRIPTION	Q.TY	CODE
6	1	202958270	Tunnel	1	
6	2	000284240	Self locking nut M4 DIN 985 Cl.8	4	
6	3	000072765	Support plate	1	
6	4	000071082	Rubber seal	1	
6	7	202359367	Hex screw M8x12 DIN 933 8.8	2	
6	8	253504012	Ecofix screw M4x12 BN 4825 H 4.8	1	
6	9	000262911	Head slotted screw M4x12 DIN 84 A 8.8	3	
6	10	105800926	Switch cover	1	
6	11	255108016	Carriage bolt M8x16 BN 11252 10.9	2	
6	12	000251691	Screw M8x25 Verbus Ripp BN 2797 Cl.100	4	
6	13	200958653	Collector support, right	1	
6	14	200958652	Collector support, left	1	
6	15	200058625	Tow hitch	1	
6	16	222008020	Hex screw M8x20 DIN 6921 8.8	1	
6	17	201958419	Collector plate assy	1	
6	18	000291500	Flat washer 8.4 DIN 125 A	9	
6	19	000280885	Self locking nut M8 DIN 985 Cl.8	9	
6	20	200058623	Tow hitch support	1	
6	21	000213312	Hex screw M8x25 DIN 6921 8.8	6	
6	23	202056034	Tunnel support, left	1	
6	24	202056033	Tunnel support, right	1	
6	26	200058627	Protective shield bracket	1	
6	27	201058222	Protective shield	1	
6	28	201058237	Adjustable shield	1	
6	29	201058238	Rear plate chute	1	
6	31	200958656	Overload switch assy, complete	1	
6	32	201058119	Overload switch actuation lever	1	
6	33	201058121	Upper housing, over-load switch	1	
6	34	201058120	Lower housing, over-load switch	1	
6	35	200059134	Pin, over-load switch	1	
6	36	240306016	Carriage bolt M6x16 DIN 603 6.8	2	
6	37	000247357	Hex screw M6x12 DIN 933 8.8	2	
6	38	000283118	Self locking nut M6 DIN 985 Cl.8	4	
6	39	000846802	Plastic wing nut 1/4-20	2	
6	40	000290389	Flat washer 6.4 DIN 125 A	4	
6	41	000207086	Carriage bolt M5x16 DIN 603 6.8	2	
6	42	000285912	Nut M5 DIN 985 KL8	2	
6	43	000244563	Hex screw M8x20 DIN 933 8.8	2	
6	44	000201003	Spring washer 8 DIN 127 B	2	
6	45	201115853	Reinforcing	2	
6	46	203125379	Bushing KD 716	1	
6	48	000284449	Hex screw M6x16 DIN 933 8.8	2	
6	49	000289828	Flat washer 5.3 DIN 125 A	2	
6	51	200058397	Holder right	1	
6	52	200058398	Holder left	1	
6	53	200058393	Clip	2	
6	54	300000012	Screw 4.8x13 DIN 7981 C	8	

GRASS COLLECTOR ASSEMBLY



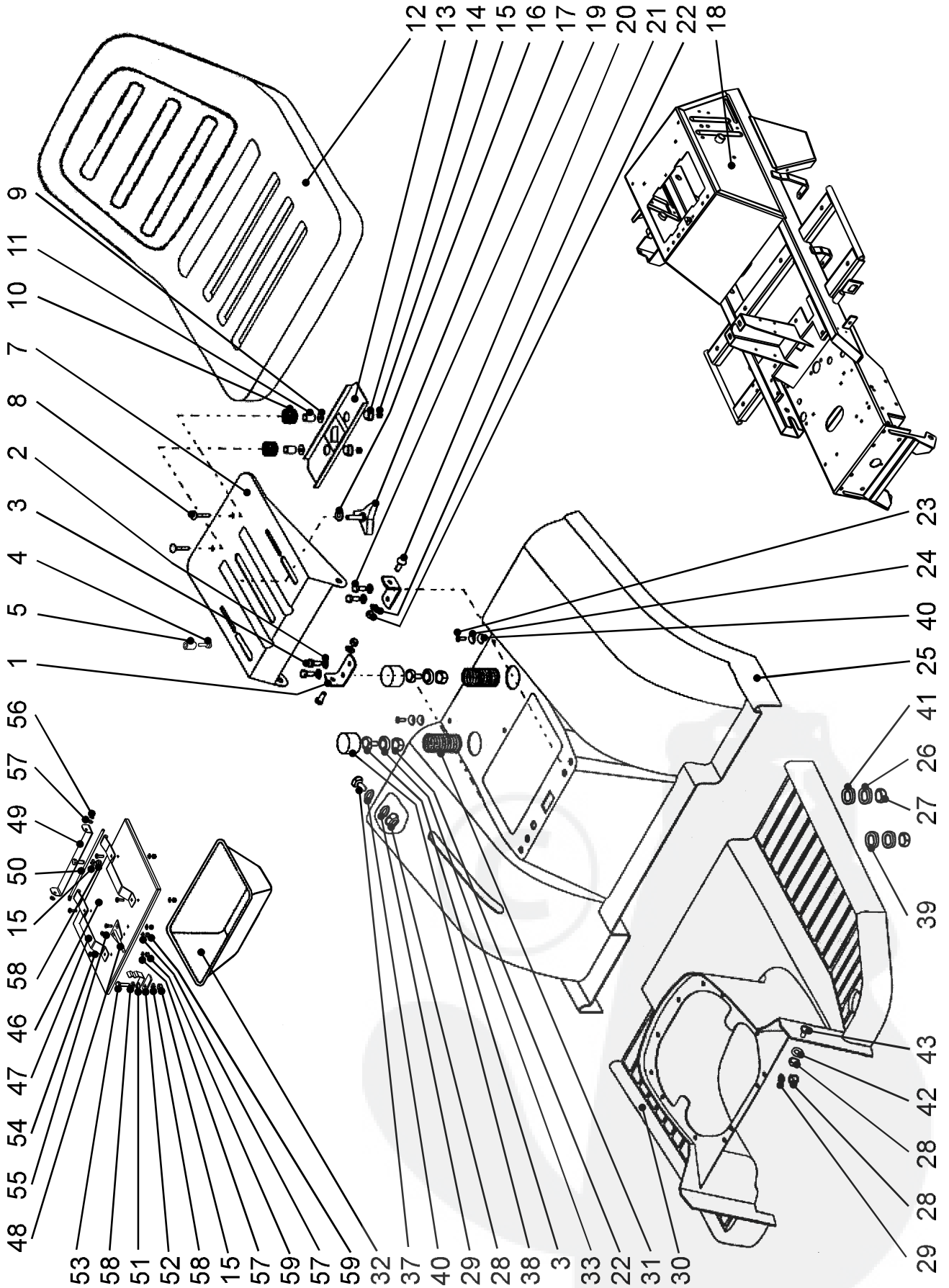
GRASS COLLECTOR ASSEMBLY

Section 7

GRP	POS.	PART NO.	DESCRIPTION	Q.TY	CODE
7	1	201958325	Grass collector assy	1	
7	2	000254067	Hex screw M5x16 DIN 933 8.8	4	
7	3	000285912	Self locking nut M5 DIN 985 Cl.8	22	
7	4	105800918	Collector spring, interlock	1	
7	5	201958329	Spring bracket	1	
7	6	000489951	Handle grip, dump lever	1	
7	7	105800952	Dumping lever	1	
7	8	000975249	Front frame assy	1	
7	9	200058278	Grass collector bag CZ	1	
7	10	000019063	Corner support - right	1	
7	11	000239448	Flat washer 5.3 DIN 9021 B	8	
7	12	000272635	Hex screw M5x30 DIN 933 8.8	4	
7	13	000289828	Flat washer 5.3 DIN 125 A	6	
7	14	000286605	Hex screw M5x25 DIN 933 8.8	8	
7	15	000060269	Corner support- left	1	
7	16	000024937	Connecting brace	1	
7	17	000283250	Hex screw M5x35 DIN 933 8.8	2	
7	18	200958657	Bottom frame assy	1	
7	19	000280885	Self locking nut M8 DIN 985 Cl.8	1	
7	20	000026048	Brace	2	
7	21	000246235	Hex screw M8x25 DIN 933 8.8	1	
7	22	000207086	Carriage bolt M5x16 DIN 603 6.8	4	
7	23	000244563	Hex screw M8x20 DIN 933 8.8	2	
7	24	000201003	Spring washer 8 DIN 127 B	2	
7	25	000298760	Flat washer 8.4 DIN 9021 B	3	
7	26	201958328	Top frame assy	1	
7	27	000978604	Lift handle	1	
7	28	201058089	Collector cover RAL 3020	1	
7	29	505900065	Taptite thread form screw M6x12 DIN 7500 D	1	
7	30	105800862	Rubber washer 5	6	
7	31	000639144	Decal arrow	1	



BODY ASSEMBLY - FENDER / SEAT

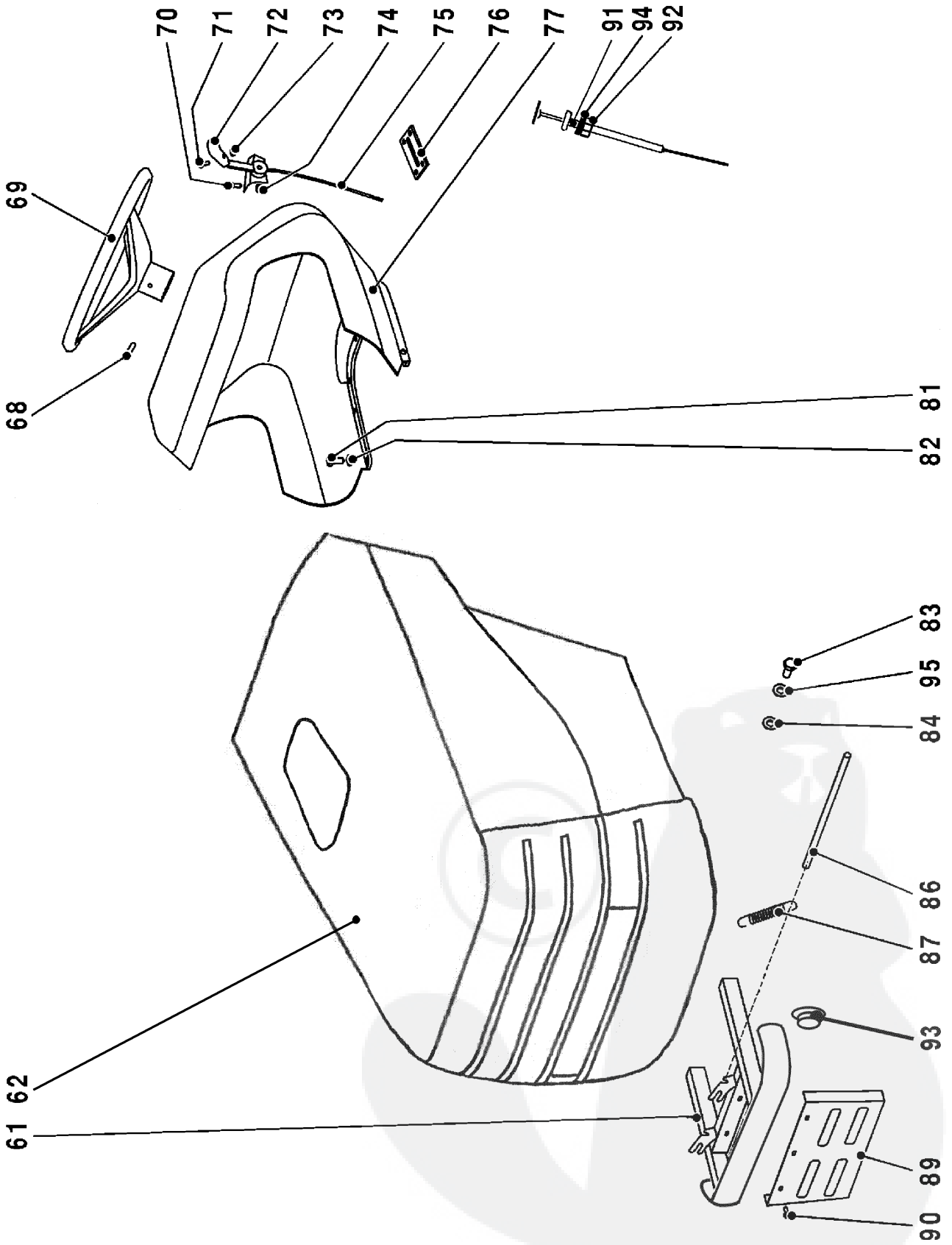


BODY ASSEMBLY - FENDER/SEAT

Section 8

GRP	POS.	PART NO.		Q.TY	CODE
8	1	105800940	Seat support bracket	2	
8	2	000201003	Spring washer 8 DIN 127 B	4	
8	3	000244563	Hex screw M8x20 DIN 933 8.8	5	
8	4	222008020	Hex flange bolt M8x20 DIN 6921 8.8	2	
8	5	201058223	Spacer	2	
8	7	105800939	Seat support	1	
8	8	240306030	Carriage bolt M6x30 DIN 603 6.8	2	
8	9	000298210	Flat washer 6.4 DIN 9021 B	2	
8	10	000331386	Seat spring	2	
8	11	105800935	Spacer split	2	
8	12	505900120	Seat INI 063 with arm rests	1	
8	13	105800938	Bracket	1	
8	14	000002156	Bushing	2	
8	15	000283118	Self locking nut M6 DIN 985 Cl.8	4	
8	16	000290642	Spring washer 8 DIN 137 A	2	
8	17	203150000	Adj. knob KRG 1A 40 M8x15	2	
8	18	200958705	Chasis frame	1	
8	19	000246235	Hex screw M8x25 DIN 933 8.8	1	
8	20	000074690	Seat support screw	2	
8	21	000291500	Flat washer 8.4 DIN 125 A	2	
8	22	000280885	Self locking nut M8 DIN 985 Cl.8	4	
8	23	204200001	Flat head socket screw M5x16 DIN 7991 10.9	2	
8	24	000268774	Finishing washer 5.3 SN 213912	2	
8	25	201058080	Fender RAL 3020	1	
8	26	000292061	Flat washer 10.5 DIN 125 A	4	
8	27	000281446	Self locking nut M10 DIN 985 Cl.8	4	
8	28	000285912	Self locking nut M5 DIN 985 Cl.8	14	
8	29	000239448	Flat washer 5.3 DIN 9021 B	12	
8	30	200057102	Footrest assy - black	1	
8	31	000098692	Seat spring	2	
8	32	201058111	Storage box	1	
8	33	000298760	Flat washer 8.4 DIN 9021 B	2	
8	37	000207086	Carriage bolt M5x16 DIN 603 6.8	6	
8	38	000407121	Hub cap SC 1-1/2 - black	2	
8	39	105800864	Rubber washer 10.5	2	
8	40	105800862	Rubber washer 5.3	8	
8	41	105800870	Rubber washer 11.5	2	
8	42	000289828	Flat washer 5.3 DIN 125 A	2	
8	43	254505016	Flat head screw M5x16 DIN 965 A 4.8	2	
8	46	204056347	Storage box door	1	
8	47	204056350	Door hinge	2	
8	48	204958059	Latch	1	
8	49	204958060	Door bracket	1	
8	50	204056349	Pin	1	
8	51	204056354	Spring	1	
8	52	204056353	Support plate	1	
8	53	204206201	Hex screw M6x20 DIN 933 8.8	1	
8	54	204041205	Screw M4x12 DIN 7985 A 4.8	4	
8	55	204041206	Screw M4x12 DIN 965 A 4.8	2	
8	56	200258742	Cotter pin 1.6x12 DIN 94	1	
8	57	000200090	Flat washer 4.3 DIN 125 A	8	
8	58	000290389	Flat washer 6.4 DIN 125 A	1	
8	59	000284240	Self locking nut M4 DIN 985 Cl.8	6	

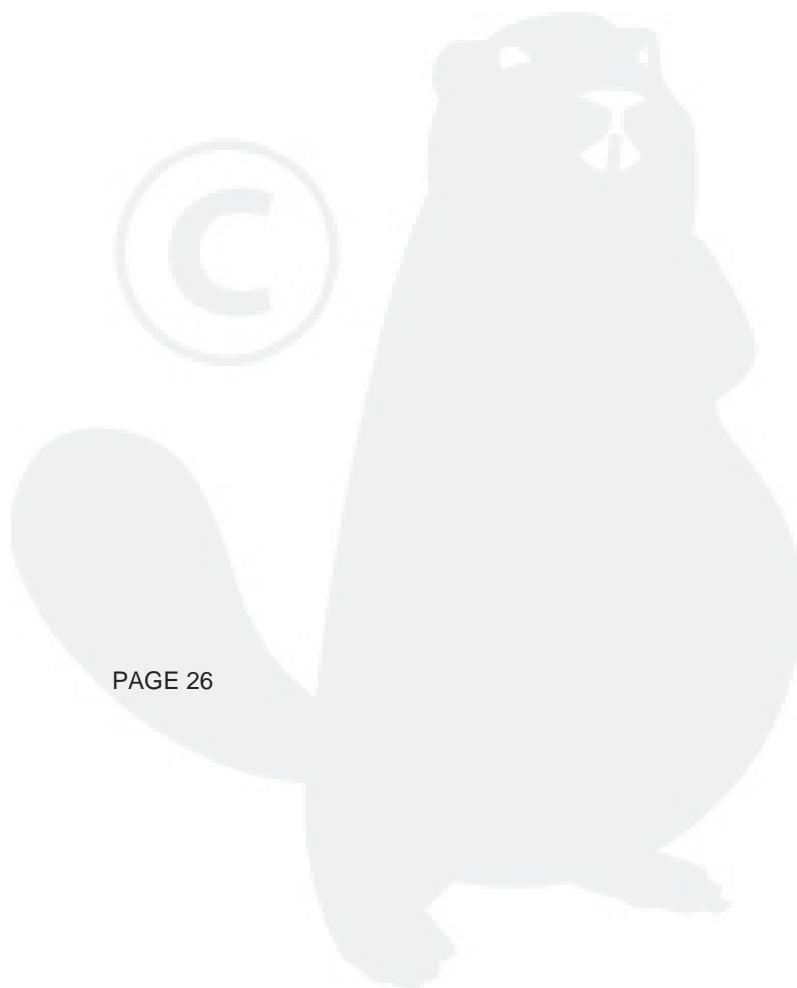
BODY ASSEMBLY - HOOD

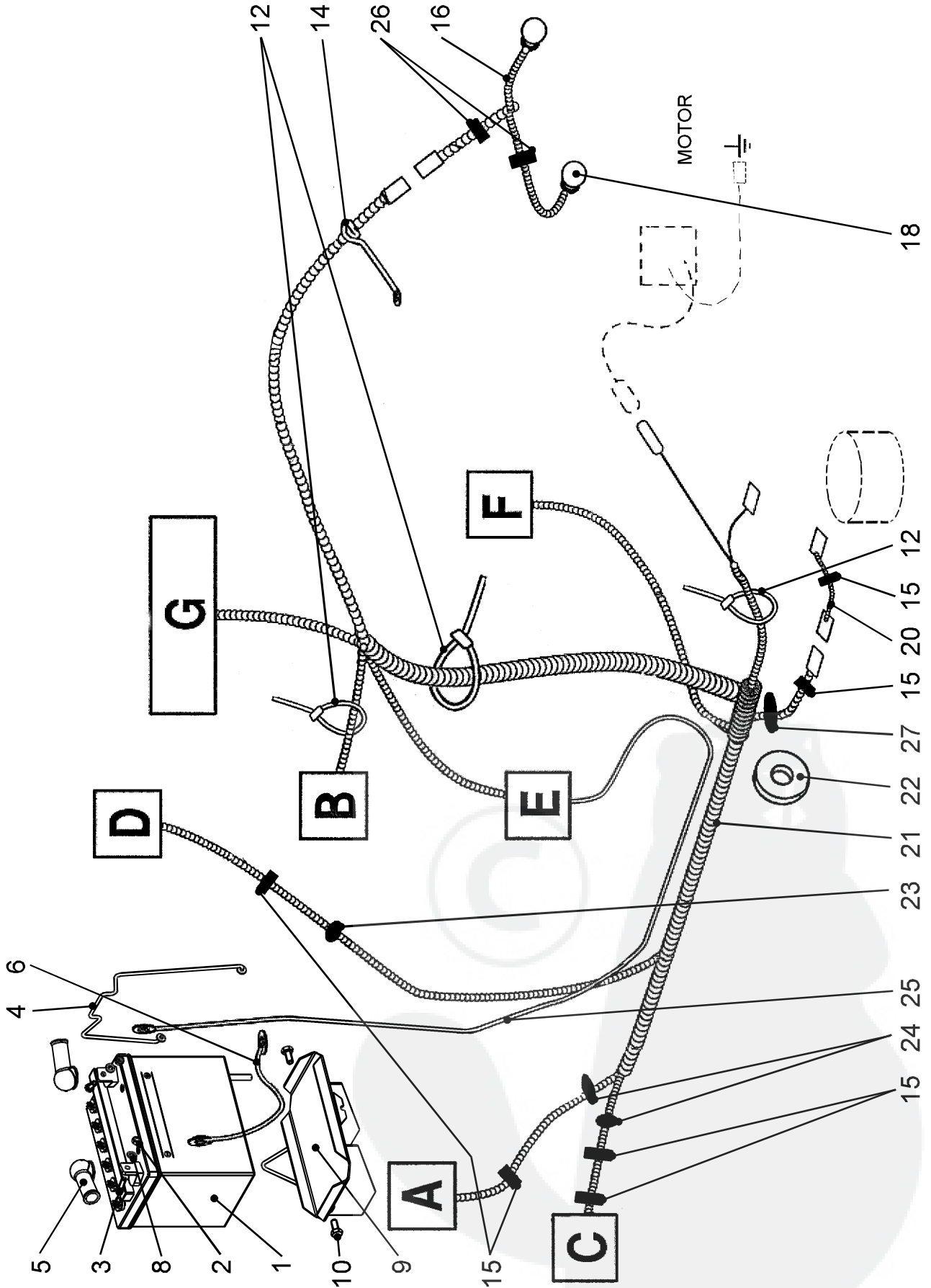


BODY ASSEMBLY - HOOD

Section 8

GRP	POS.	PART NO.	DESCRIPTION	Q.TY	CODE
8	61	200958645	Bumper (Senator)	1	
8	62	202958272	Hood	1	
8	68	204160001	Spring pin 6x45 ISO 8750	1	
8	69	204958063	Steering wheel	1	
8	70	254505016	Flat head screw M5x16 DIN 965 A 4.8	4	
8	71	250004014	Head-slotted screw M4x14 DIN 84 A 4.8	1	
8	72	000084414	Throttle knob - black	1	
8	73	000284240	Self locking nut M4 DIN 985 Cl.8	1	
8	74	000285912	Self locking nut M5 DIN 985 Cl.8	4	
8	75	000770880	Throttle lever assy	1	
8	76	105800812	Brace	1	
8	77	204056431	Dash panel - black	1	
8	81	220005020	Hex screw M5x20 DIN 933 8.8	6	
8	82	000239448	Flat washer 5.3 DIN 9021 B	6	
8	83	000244563	Hex screw M8x20 DIN 933 8.8	4	
8	84	000298760	Flat washer 8.4 DIN 9021 B	4	
8	86	105800818	Safety bar	1	
8	87	105800801	Hood spring	1	
8	89	195800866	Heat shield	1	
8	90	000259314	Self drilling screw 4.2x13 DIN 7504 K	3	
8	91	000978450	Choke - Capro	1	
8	92	505900084	Hex nut 3/8 - 24	1	
8	93	000305025	Hub cap GL 50x1-2.5 - black	2	
8	94	201852111	Spring washer 10 DIN 137 A	1	
8	95	000201003	Spring washer 8 DIN 127 B	4	

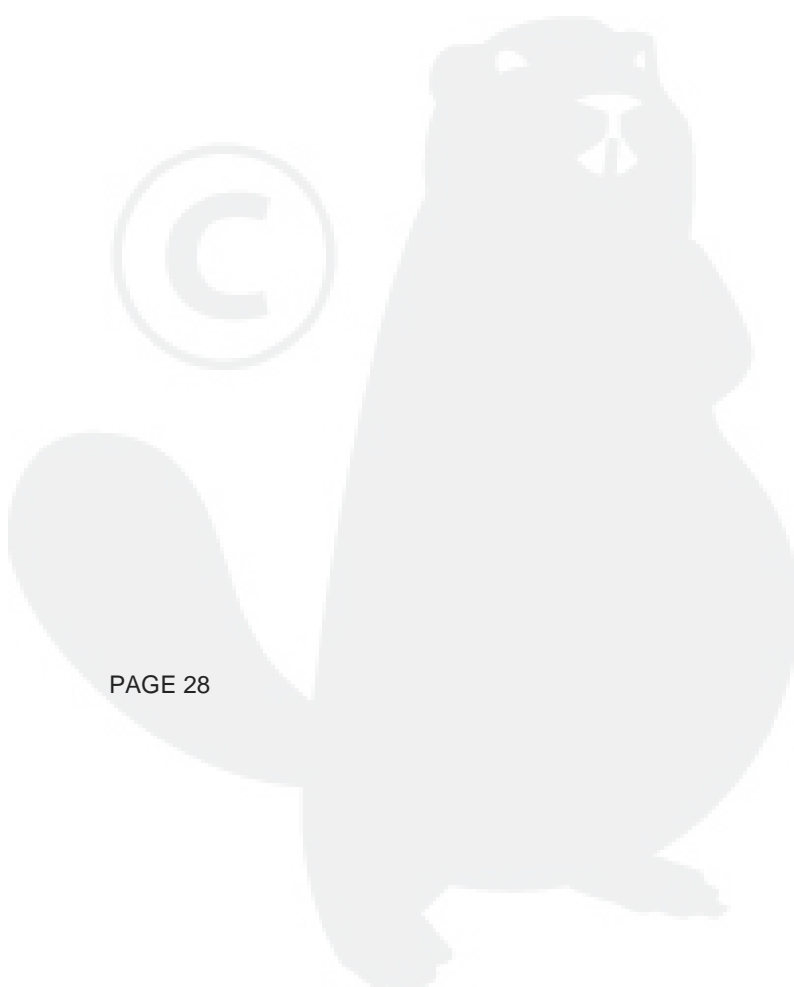


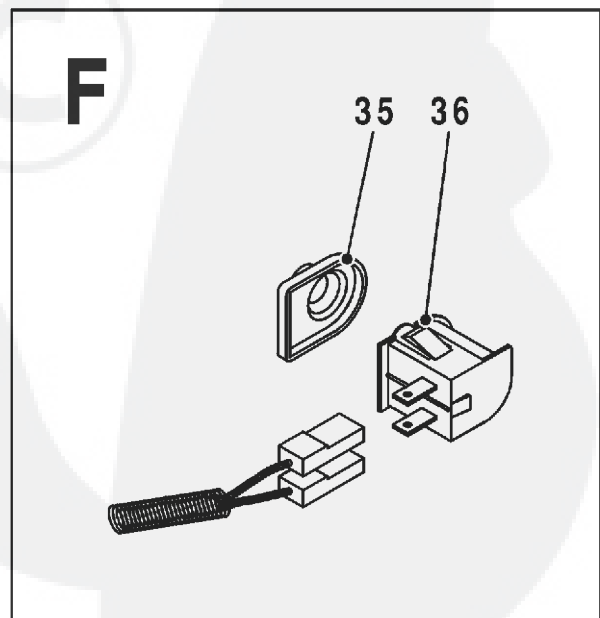
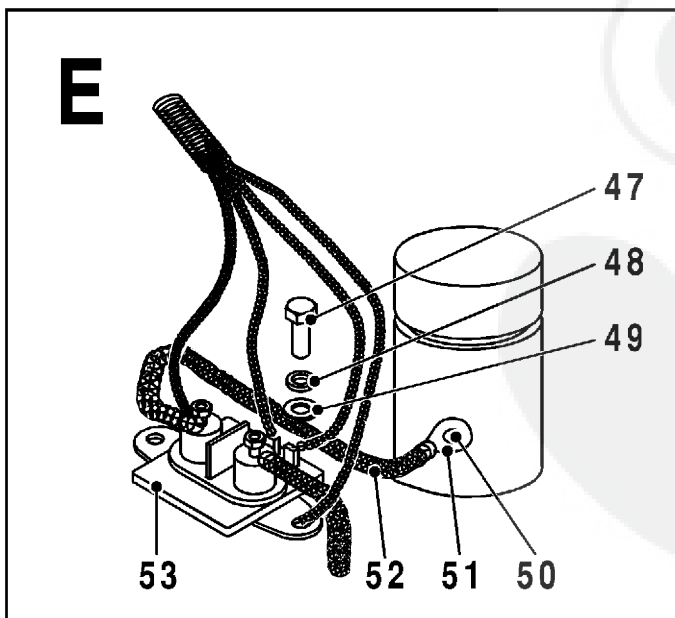
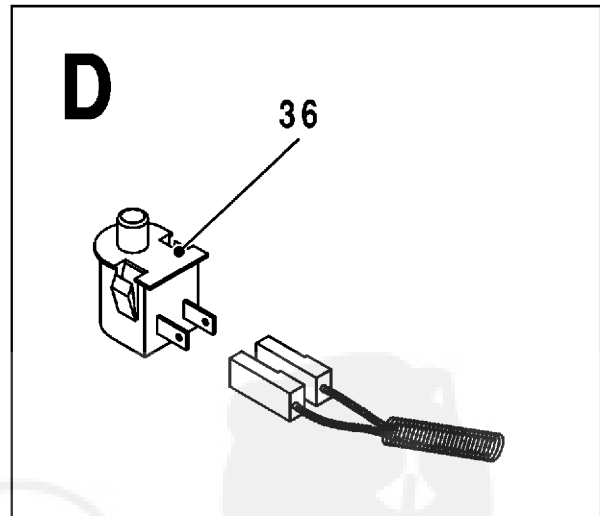
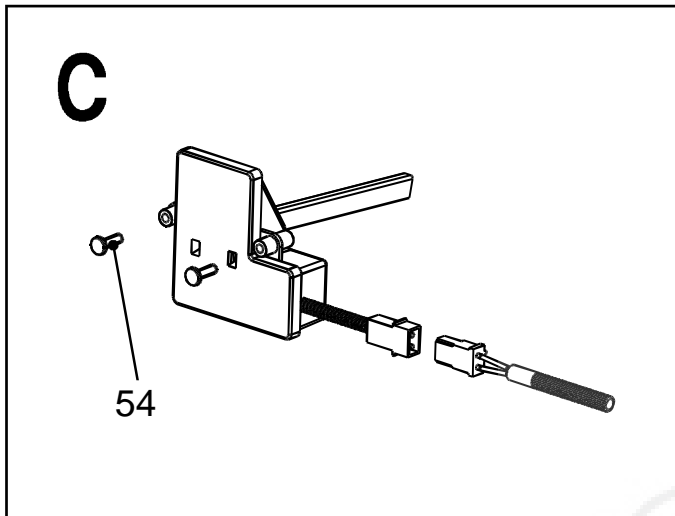
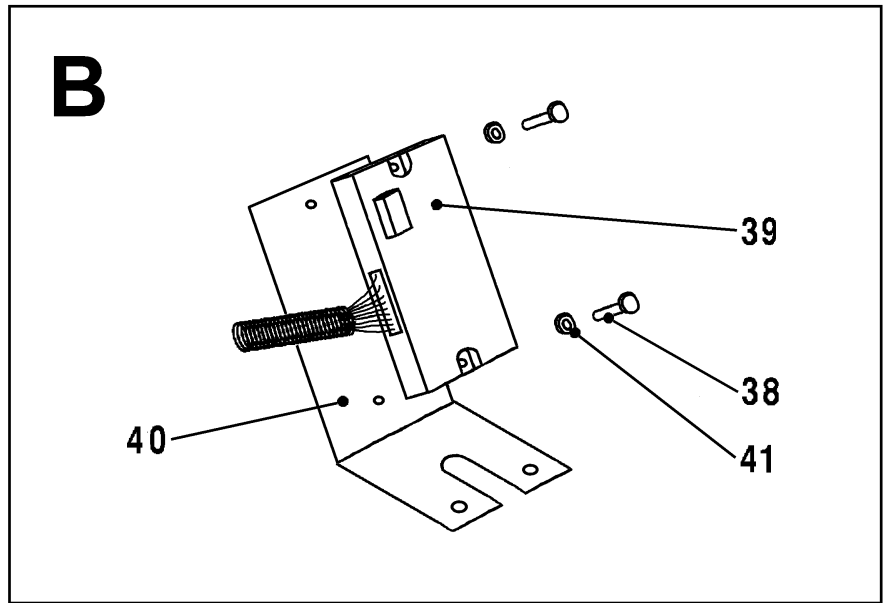
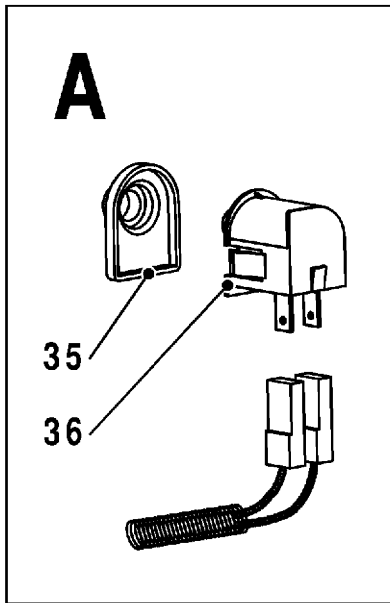


ELECTRICAL - WIRING HARNESS COMPL.

Section 9

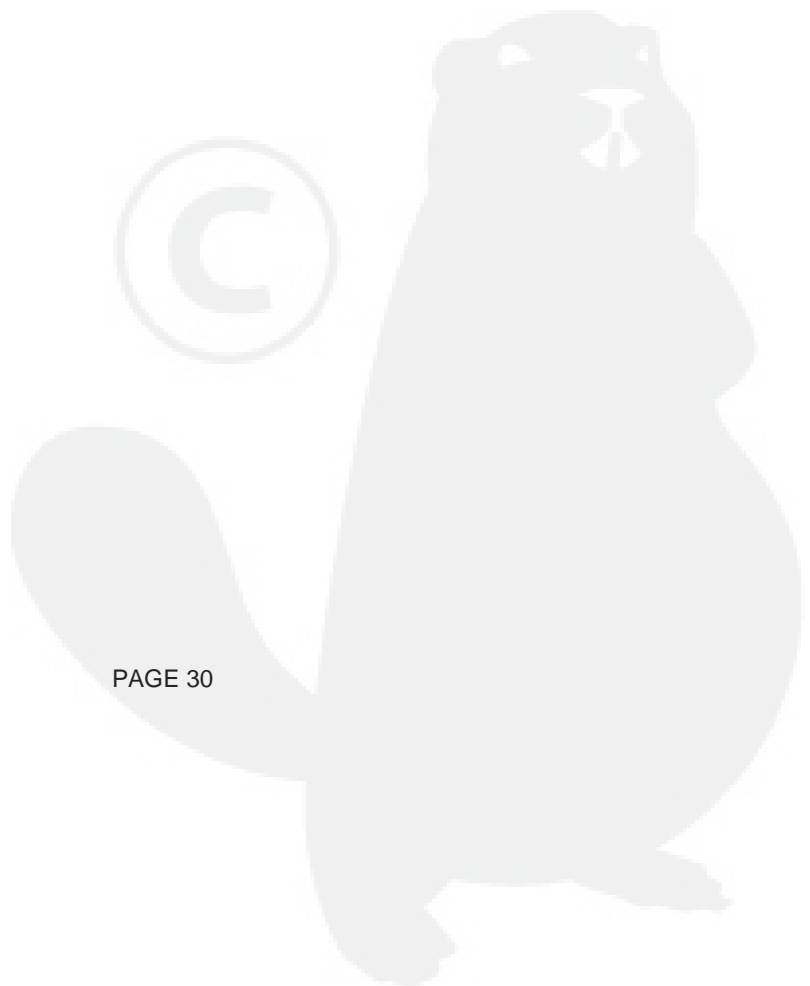
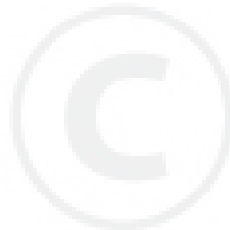
GRP	POS.	PART NO.	DESCRIPTION	Q.TY	CODE
9	1	000820556	Battery 12V-22Ah	1	
9	2	000271942	Hex nut M6 DIN 934 Cl.8	2	
9	3	000284449	Hex screw M6x16 DIN 933 8.8	2	
9	4	204958055	Battery clamp	1	
9	5	000652388	Rubber boot	2	
9	6	204958054	Battery cable (-)	1	
9	8	000290389	Flat washer 6.4 DIN 125 A	2	
9	9	204958056	Battery support	1	
9	10	000243441	Hex screw M8x16 DIN 933 8.8	2	
9	12	000323356	Cable ties RT 360	3	
9	14	000059004	Wiring harness holder	1	
9	15	000829191	Clip - snap in 1903-00 F/A	6	
9	16	201958368	Light wiring harness CZ	1	
9	18	000818323	Light bulb R 10W 12V BA15s	2	
9	20	195800914	Clutch harness with diode	1	
9	21	201958441	Main wiring harness HYDRO-01	1	
9	22	000890670	Cap - 15455 - 4539	1	
9	23	000430595	Bushing 9x1.5 KD 712	1	
9	24	820002202	Bushing 18x2	2	
9	25	204958053	Battery cable (+)	1	
9	26	000692054	Nylon clips - adhesive 1/4 PCNY 250-9	2	
9	27	000820699	Bushing 23x2 KD 5	1	

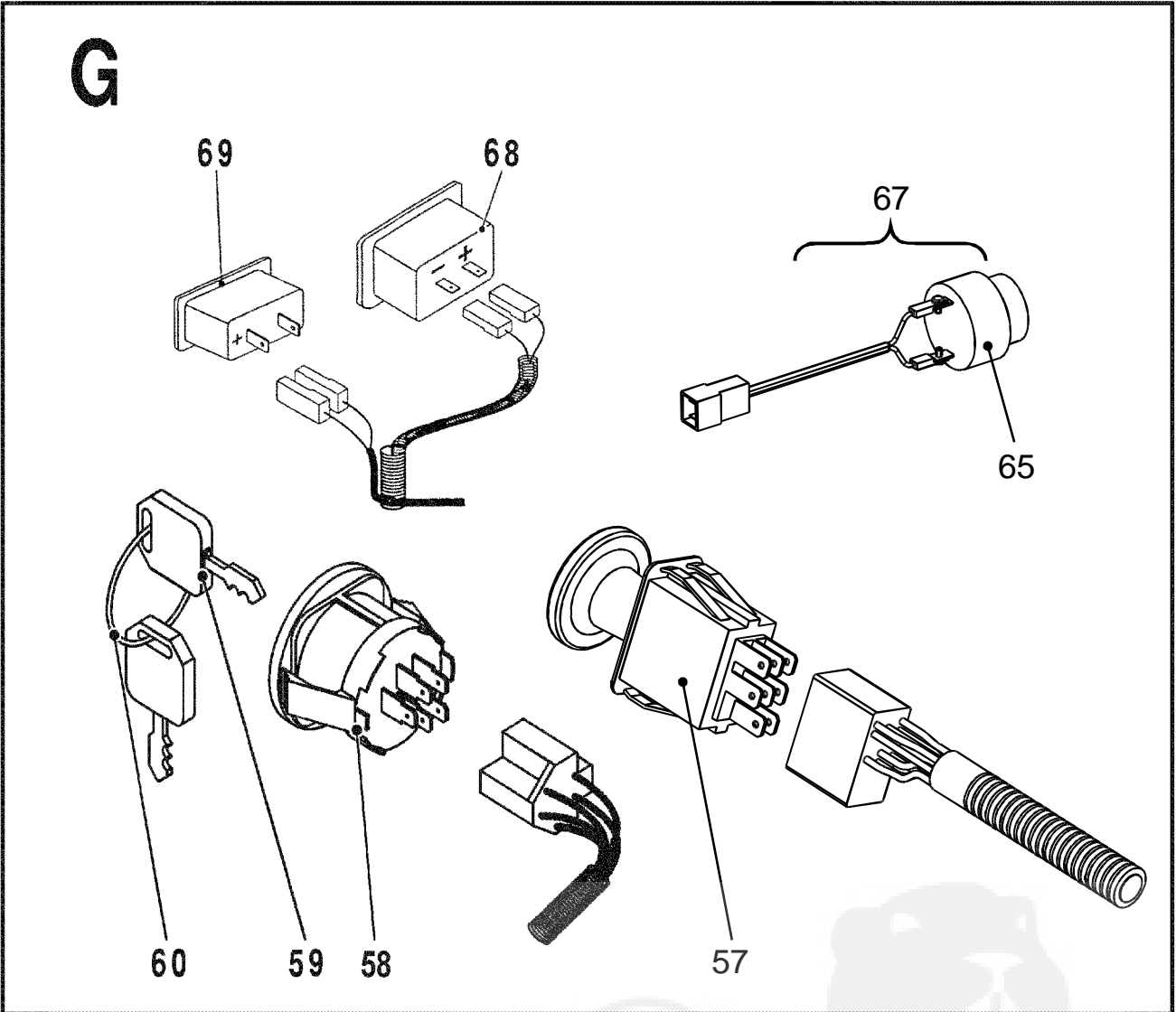




ELECTRICAL - SWITCHES (1)**Section 9**

GRP	POS.	PART NO.	DESCRIPTION	Q.TY	CODE
9	35	505900049	Protective cover 9910	2	
9	36	000877943	Switch DELTA 6440-04	3	
9	38	201852333	Screw 2.9x13 DIN 7981 Z	2	
9	39	201958440	Control modulus HYDRO-01	1	
9	40	200058252	Holder modulus	1	
9	41	201852334	Flat washer 3 DIN 125 A	2	
9	47	000247357	Hex screw M6x12 DIN 933 8.8	2	
9	48	000200442	Spring washer 6 DIN 127 B	2	
9	49	000290389	Flat washer 6.4 DIN 125 A	2	
9	50	000277816	Nut W 1/4" - 20	1	
9	51	000453332	Rubber boot 16x11	1	
9	52	195800916	El. starter lead (10)	1	
9	53	000821117	Solenoid 94255/12V - 150A	1	
9	54	203356752	Screw 4.2x13 DIN 7981 F	2	

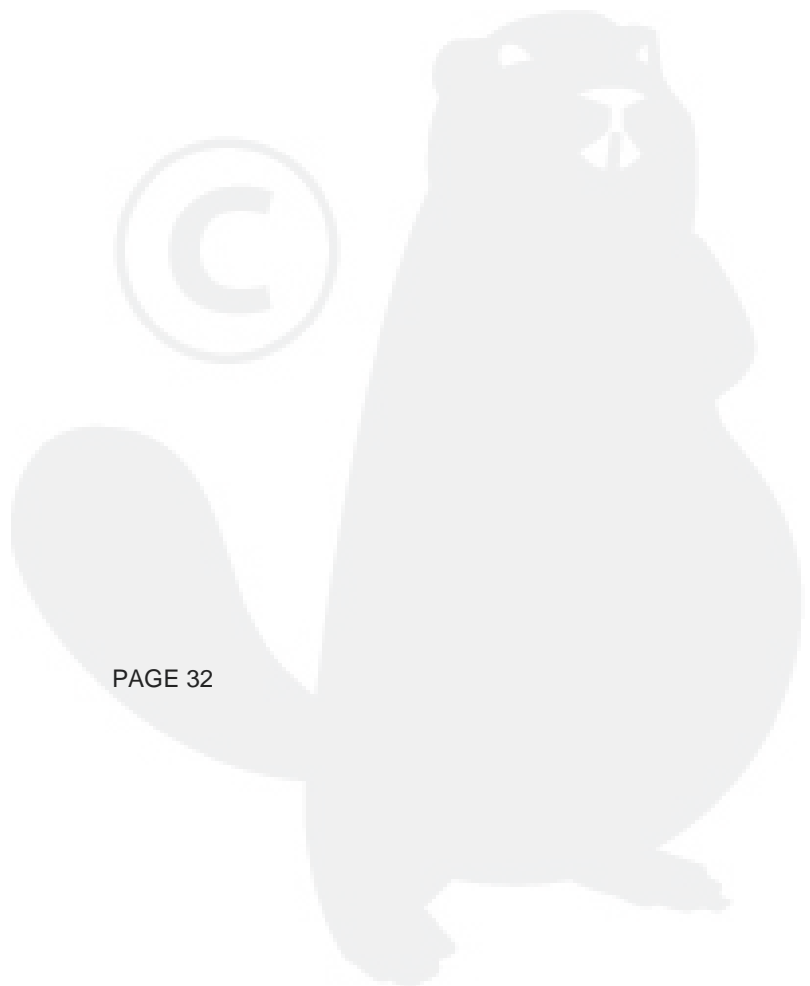


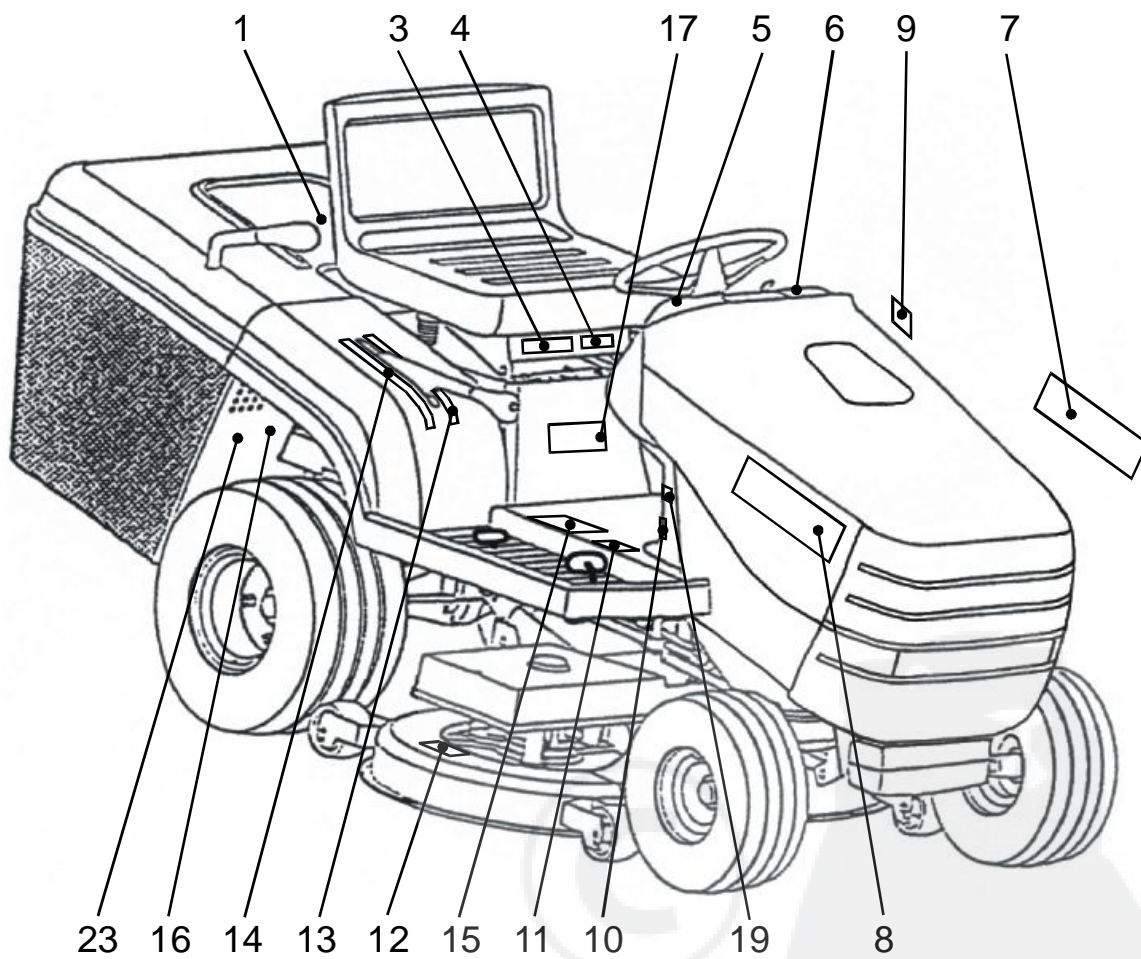


ELECTRICAL - SWITCHES (2)

Section 9

GRP	POS.	PART NO.	DESCRIPTION	Q.TY	CODE
9	57	204059307	Locking pull switch	1	
9	58	200830600	Ignition switch DELTA integral with key	1	
9	59	200800001	Key with moulded cover for integral switch	2	
9	60	000304909	Ring 406 15/40	1	
9	65	201852002	Buzzer	1	
9	67	201958410	Buzzer compl.	1	
9	68	505900098	Hourmeter 82001	1	
9	69	505900108	Ampermeter prime	1	





DECALS / LABELS

Section 10

GRP	POS.	PART NO.	DESCRIPTION	Q.TY	CODE
10	1	000639144	Decal arrow	1	
10	3	000604945	Battery label	1	
10	4	201059075	Decal B&S	1	
10	5	202056059	Decal, dash panel, right	1	
10	6	201058188	Decal, dash panel, left	1	
10	7	000699083	Decal TURBO CUT left	1	
10	8	000643368	Decal TURBO CUT right	1	
10	9	000689315	Brake locking	1	
10	10	000686620	Users information	1	
10	11	000668041	Safety label	1	
10	12	000601920	Safety label - cutting	2	
10	13	000697521	Label of lifting, left	1	
10	14	105800819	Label of lifting, right	1	
10	15	000641179	Travel direction decal	1	
10	16	200058280	By-pass decal	1	
10	17	201058186	Safety decal	1	
10	19	203056260	Decal, 180 V-2	2	
10	23	201058253	Rear plate chute decal	1	

