



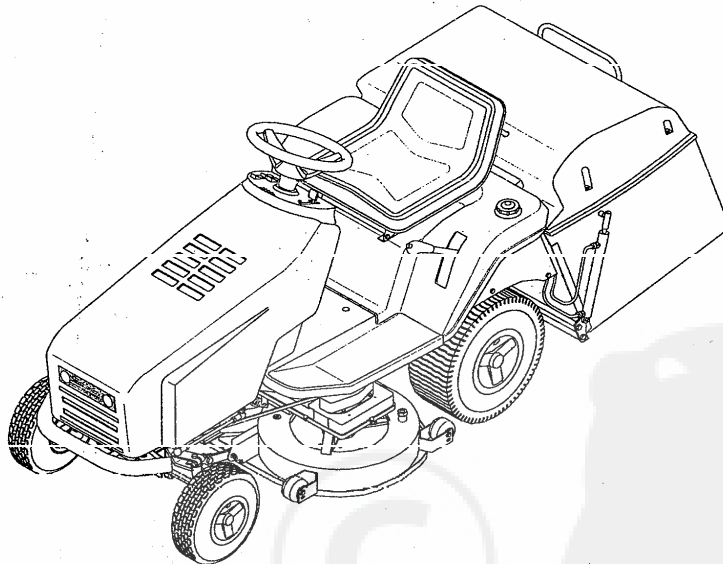
ŽACÍ STROJ
RASENTRAKTOR
TONDEUSE
LAWN TRACTOR

4313 ↔ **MT8 - 110.22 M1**

4315 ↔ **MT8 - 110.25 M1**

4316 ↔ **MT8 - 110.26 M1**

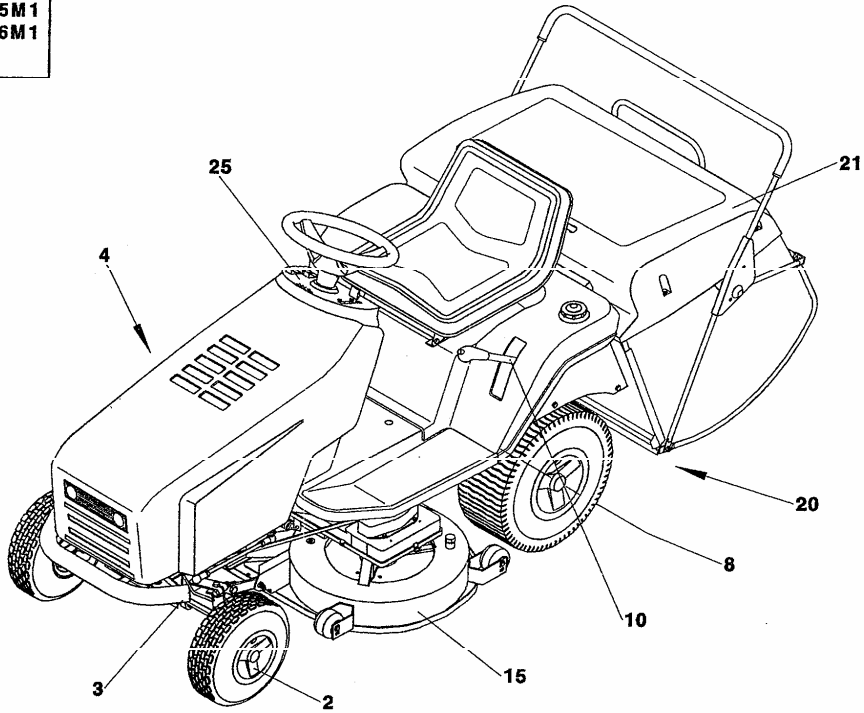
4320 ↔ **MT8 - 110.29 H1**



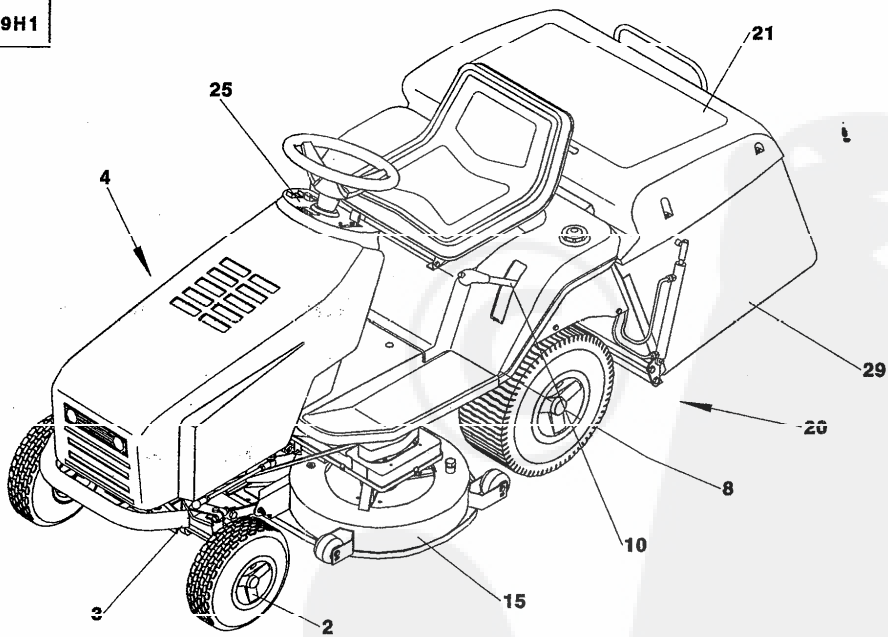
KATALOG NÁHRADNÍCH DÍLŮ
ERSATZTEILKATALOG
LISTE DES PIÈCES
SPARE PARTS CATALOGUE

March / 1997

MT8-110.22M1
MT8-110.25M1
MT8-110.26M1

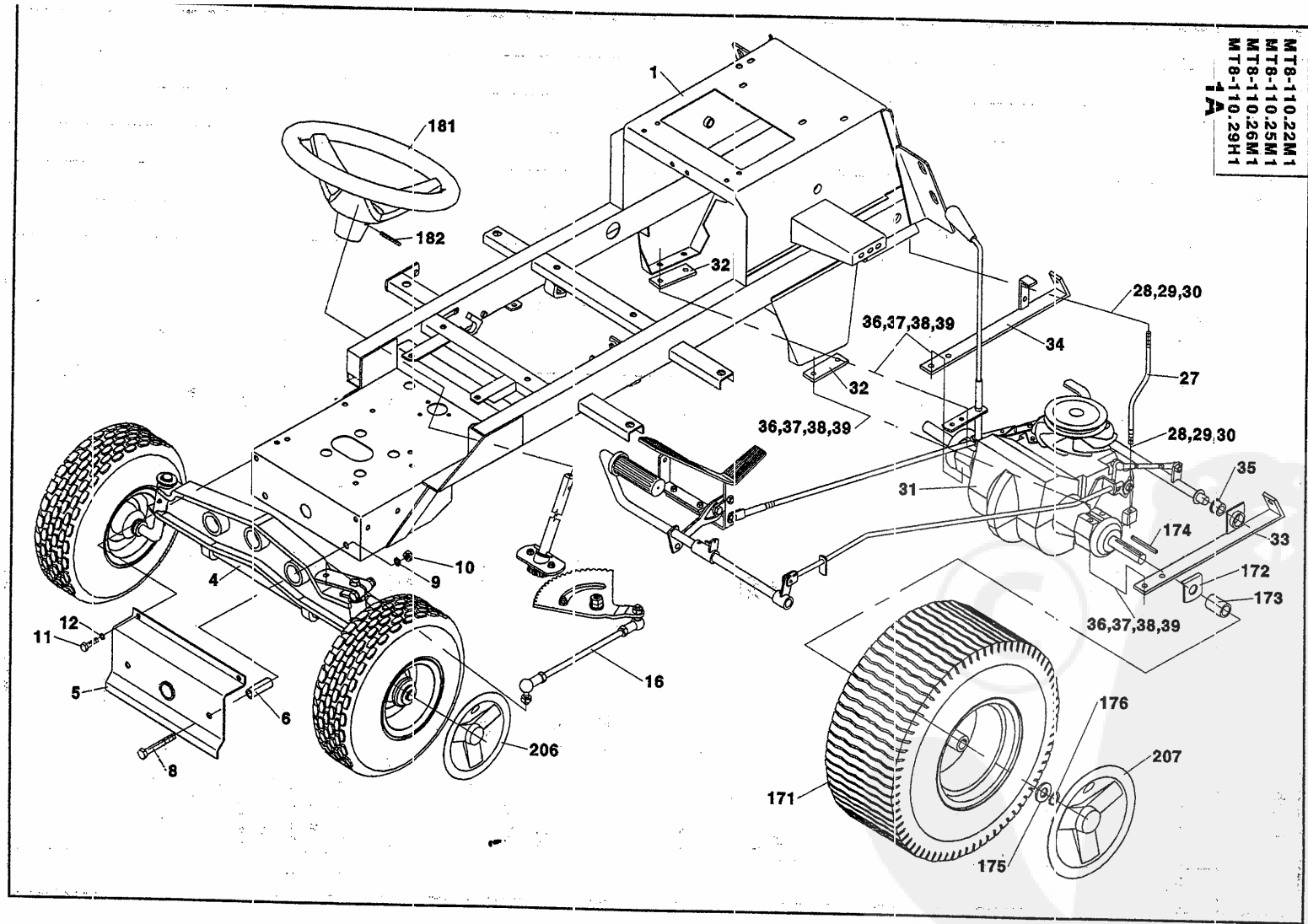


MT8-110.29H1



| Obsah Contents | | Inhalt Contenu | | MT8-110 | | | | | |
|-------------------|---|---------------------------------------|-------|----------|----------|----------|----------|---|--|
| 1 | 2 | 3 | 4 | 22 M1 | 25 M1 | 26 M1 | 29 H1 | | |
| 1 | Žací stroj Toudeuse | Rasentraktor Lawn tractor | E2700 | 12 | 1 | - | - | - | |
| 1 | Žací stroj Toudeuse | Rasentraktor Lawn tractor | E2702 | 12 | - | 1 | - | - | |
| 1 | Žací stroj Toudeuse | Rasentraktor Lawn tractor | E2708 | 12 | - | - | 1 | - | |
| 1 | Žací stroj Toudeuse | Rasentraktor Lawn tractor | E2706 | 12 | - | - | - | 1 | |
| 2 | Přední náprava Essieu avant | Vorderachse Front axle | E2920 | 36 | 1 | 1 | 1 | 1 | |
| 3 | Řízení Direction | Steuerung Steering | E2905 | 38 | 1 | 1 | 1 | 1 | |
| 4 | Náhon pojezdu Transmission | Buhne Drive | E2980 | 40 | 1 | - | - | - | |
| 4 | Náhon pojezdu Transmission | Buhne Drive | E2981 | 46 | - | 1 | - | - | |
| 4 | Náhon pojezdu Transmission | Buhne Drive | E2983 | 52 | - | - | 1 | - | |
| 4 | Náhon pojezdu Transmission | Buhne Drive | E2982 | 58 | - | - | - | 1 | |
| 8 | Zadní náprava ovládání Pont arrière | Rear axle Hinterachse | E3300 | 64 | 1 | 1 | 1 | 1 | |
| 10 | Zvedání sekačky Dispositif de levage | Heben mechanism. Lifting mechanism | E2840 | 70 | 1 | 1 | 1 | 1 | |
| 15 | Sekačka Faucheuse rotative | Hackener Cutter | E2780 | 74 | 1 | 1 | 1 | 1 | |
| 20 | Tunel Tunnel | Tunnel Tunnel | E2880 | 80 | 1 | 1 | 1 | 1 | |
| 21 | Zásobník rozložený Trémie | Bunker Bunker | Y0230 | 82 | 1 | 1 | 1 | - | |
| 21 | Zásobník rozložený Trémie | Bunker Bunker | Y0238 | 86 | - | - | - | 1 | |
| 25 | Panel přístrojů Panneau | Armaturentafel Instrumental panel | E2824 | 90 | 1 | - | - | - | |
| 25 | Panel přístrojů Panneau | Armaturentafel Instrumental panel | E2827 | 90 | - | 1 | - | - | |
| 25 | Panel přístrojů Panneau | Armaturentafel Instrumental panel | E3413 | 94 | - | - | 1 | - | |
| 25 | Panel přístrojů Panneau | Armaturentafel Instrumental panel | E2832 | 94 | - | - | - | 1 | |
| 29 | Zvedání zásobníku hydraulické Dispositif de levage | Hebenung mech. Lifting mechanism | E3200 | 98 | - | - | - | 1 | |
| | | | | | | | | | |
| | | | | | | | | | |
| | | | | | | | | | |

MT8-110.22M1
MT8-110.25M1
MT8-110.26M1
MT8-110.29H1
1A



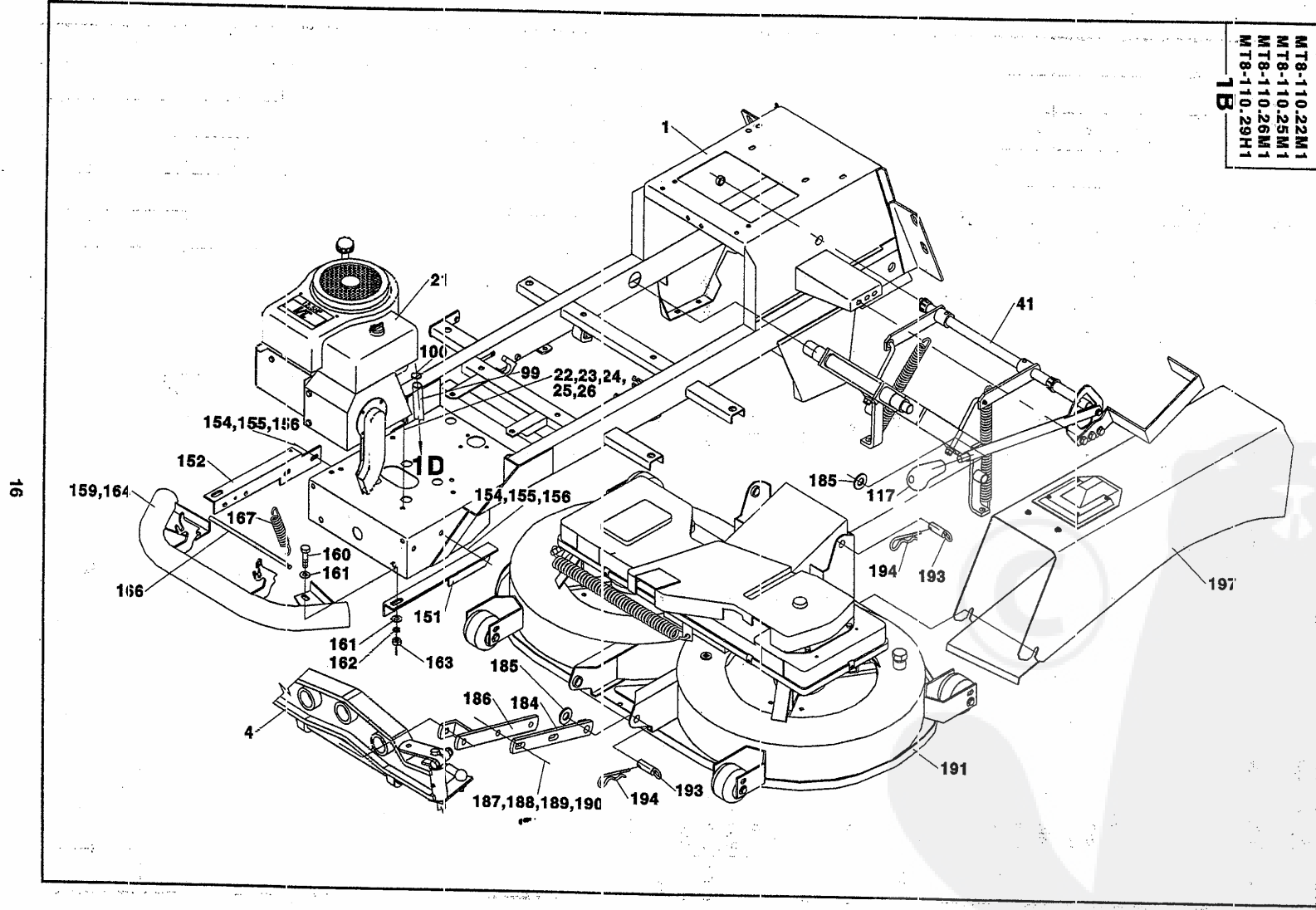
12

| 1 Žací stroj | | Rasentraktor | | MT8-110 | | | |
|--------------|--------------------------------|------------------------------|---------|---------------|----------|----------|----------|
| A Toudeuse | | Lawn tractor | | | | | |
| 1 | 2 | 3 | 4 | Z1 M1 | Z2 M1 | Z3 M1 | Z4 H1 |
| - | Žací stroj Toudeuse | Rasentraktor Lawn tractor | E2700 | 1 | - | - | - |
| - | Žací stroj Toudeuse | Rasentraktor Lawn tractor | E2702 | - | 1 | - | - |
| - | Žací stroj Toudeuse | Rasentraktor Lawn tractor | E2708 | - | - | 1 | - |
| - | Žací stroj Toudeuse | Rasentraktor Lawn tractor | E2706 | - | - | - | 1 |
| 1 | Rám Cadre | Rahmen Frame | E2791 | 1 | 1 | 1 | 1 |
| 4 | Přední náprava Essieu avant | Vorderachse Front axle | E2920 | 1 | 1 | 1 | 1 |
| 5 | Držák nápravy Support | Halter Holder | E2900 | 1 | 1 | 1 | 1 |
| 6 | Rozpěrka Cale | Spreitze Spacer | E0069 | 2 | 2 | 2 | 2 |
| 8 | Šroub M10x75 Boulon | Schraube Screw | 084 921 | ČSN 021101.55 | 2 | 2 | 2 |
| 9 | Podložka 10 Rondelle | U-Scheibe Washer | 071 541 | ČSN 021740.05 | 2 | 2 | 2 |
| 10 | Maticice M10 Écrou | Mutter Nut | 070 091 | ČSN 021401.55 | 2 | 2 | 2 |
| 11 | Šroub M8x16 Boulon | Schraube Screw | 067 284 | ČSN 021103.55 | 2 | 2 | 2 |
| 12 | Podložka 8 Rondelle | U-Scheibe Washer | 276 721 | ČSN 021740.05 | 2 | 2 | 2 |
| 16 | Řízení Direction | Steuerung Steering | E2905 | 1 | 1 | 1 | 1 |
| 27 | Táhlo Tige | Zugstange Draw. rod | E3064 | 1 | 1 | 1 | 1 |
| 28 | Podložka 8.4 Rondelle | U-Scheibe Washer | 070 812 | ČSN 021702.15 | 2 | 2 | 2 |
| 29 | Podložka 8 Rondelle | U-Scheibe Washer | 276 721 | ČSN 021740.05 | 2 | 2 | 2 |
| 30 | Maticice M8 Écrou | Mutter Nut | 070 084 | ČSN 021401.55 | 4 | 4 | 4 |
| 31 | Zadní náprava Pont arrière | Hinterachse Rear axle | E3300 | H6329-0650 | 1 | 1 | 1 |
| 32 | Podložka Rondelle | U-Scheibe Washer | E3511 | | 2 | 2 | 2 |
| 33 | Držák levý Support | Halter Holder | E3500 | | 1 | 1 | 1 |
| 34 | Držák pravý Support | Halter Holder | E3501 | | 1 | 1 | 1 |
| 35 | Pouzdro 4-D0107 Doville | Huelse Bush | 011 572 | | 1 | 1 | 1 |
| 36 | Šroub M8x65 Boulon | Schraube Screw | 017 626 | ČSN 021101.55 | 8 | 8 | 8 |

| 1 | | Žací stroj | Rasentraktor | MT8-110 | | | | | |
|-----|---------------------------------------|-------------------------|--------------|---------------|----------|----------|----------|----------|--|
| A | | Toudeuse | Lawn tractor | | | | | | |
| 1 | 2 | | 3 | 4 | 22 M1 | 25 M1 | 26 M1 | 29 H1 | |
| 37 | Podložka 8 Rondelle | U-Scheibe Washer | 276 721 | ČSN 021740.05 | 8 | 8 | 8 | 8 | |
| 38 | Matice M8 Écrou | Mutter Nut | 070 084 | ČSN 021401.55 | 8 | 8 | 8 | 8 | |
| 39 | Podložka 8.4 Rondelle | U-Scheibe Washer | 070 812 | ČSN 021702.15 | 4 | 4 | 4 | 4 | |
| 171 | Kolo A-20x10.00-8 2PR TL TURF Roue | Rad Wheel | 019 210 | | 2 | 2 | 2 | 2 | |
| 172 | Opěrka Boîte | Stuetze Support | E0091 | | 2 | 2 | 2 | 2 | |
| 173 | Pouzdro Doville | Huelse Bush | E0092 | | 2 | 2 | 2 | 2 | |
| 174 | Pero Ressort | Feder Feather | E0030 | | 2 | 2 | 2 | 2 | |
| 175 | Podložka 19 Rondelle | U-Scheibe Washer | 070 546 | ČSN 021702.15 | 2 | 2 | 2 | 2 | |
| 176 | Kroužek 15 Anneau | Ring Ring | 007 252 | ČSN 022929.05 | 2 | 2 | 2 | 2 | |
| 181 | Volant Volant | Lenkrad Steer. wheel | E0041 | | 1 | 1 | 1 | 1 | |
| 182 | Kolík 6x56 Cheville | Stift Pin | 043 865 | ČSN 022156 | 1 | 1 | 1 | 1 | |
| 206 | Poklice přední Enjoliveur | Deckel Cover | E3051 | | - | 2 | 2 | 2 | |
| 207 | Poklice zadní Enjoliveur | Deckel Cover | E3053 | | - | 2 | 2 | 2 | |
| | | | | | | | | | |
| | | | | | | | | | |
| | | | | | | | | | |
| | | | | | | | | | |
| | | | | | | | | | |
| | | | | | | | | | |
| | | | | | | | | | |
| | | | | | | | | | |
| | | | | | | | | | |
| | | | | | | | | | |
| | | | | | | | | | |
| | | | | | | | | | |

MT8-110.22M1
MT8-110.25M1
MT8-110.26M1
MT8-110.29H1

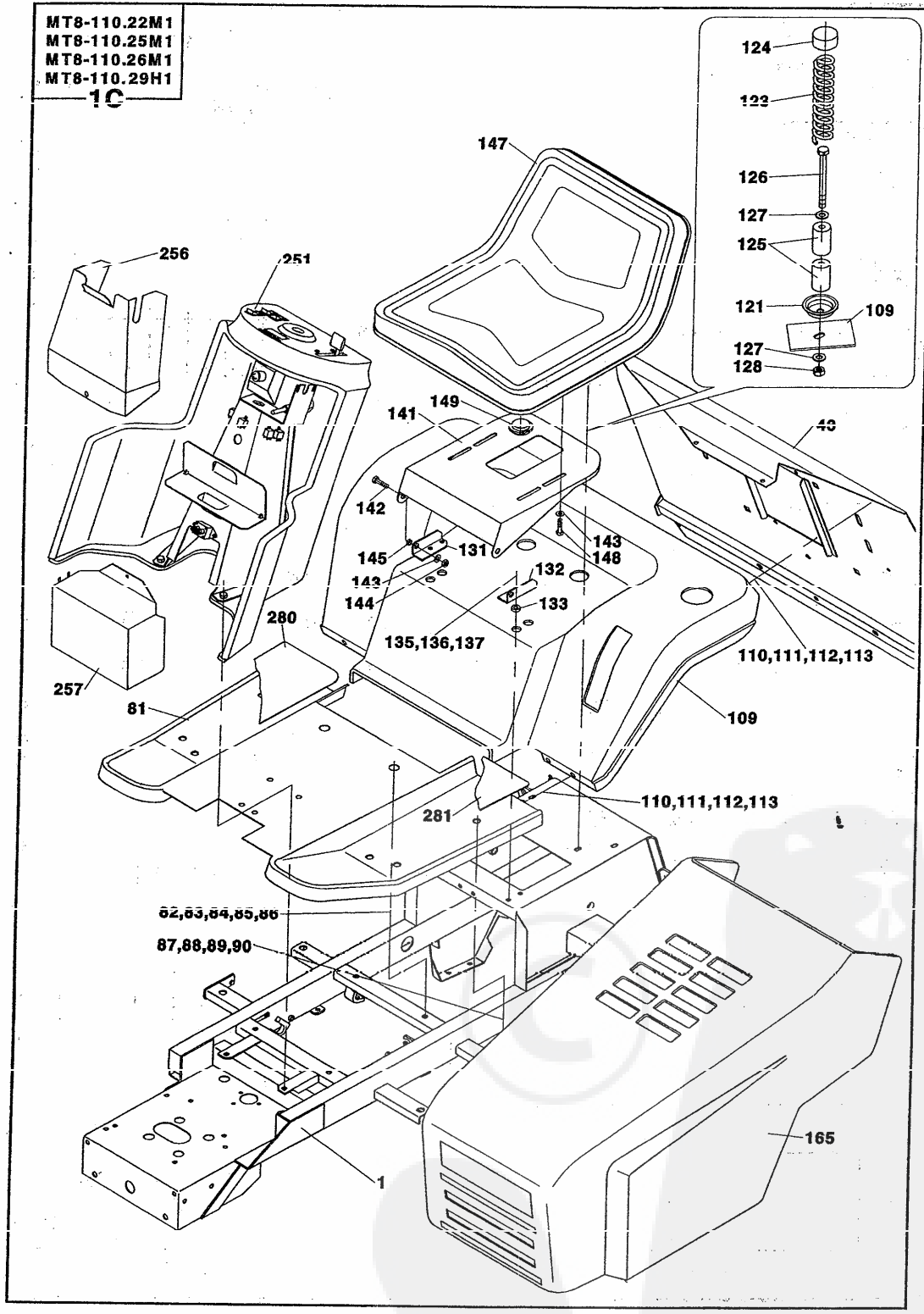
1B



| 1 Žací stroj | | Rasentraktor | | MT8-110 | | | |
|--------------|---|----------------------------------|---------|---------------|----------|----------|----------|
| B Toudeuse | | Lawn tractor | | | | | |
| 1 | 2 | 3 | 4 | 02 M1 | 02 M1 | 02 M1 | 02 H1 |
| 1 | Rám Cadre | Rahmen Frame | E2791 | 1 | 1 | 1 | 1 |
| 4 | Přední náprava Essieu avant | Vorderachse Front axle | E2920 | 1 | 1 | 1 | 1 |
| 21 | Náhon pojezdu Transmission | Buhne Drive | E2980 | 1 | - | - | - |
| 21 | Náhon pojezdu Transmission | Buhne Drive | E2981 | - | 1 | - | - |
| 21 | Náhon pojezdu Transmission | Buhne Drive | E2983 | - | - | 1 | - |
| 21 | Náhon pojezdu Transmission | Buhne Drive | E2982 | - | - | - | 1 |
| 22 | Šroub M8x40 Boulon | Schraube Screw | 066 646 | ČSN 021101.55 | 1 | 1 | 1 |
| 23 | Šroub M8x35 Boulon | Schraube Screw | 686 980 | ČSN 021101.55 | 3 | 3 | 3 |
| 24 | Podložka 8.4 Rondelle | U-Scheibe Washer | 070 812 | ČSN 021702.15 | 4 | 4 | 4 |
| 25 | Podložka 8 Rondelle | U-Scheibe Washer | 276 721 | ČSN 021740.05 | 4 | 4 | 4 |
| 26 | Matice M8 Écrou | Mutter Nut | 070 084 | ČSN 021401.55 | 4 | 4 | 4 |
| 41 | Zvedání sedačky Dispositif de levage | Heben mech. Lifting mechanism | E2840 | 1 | 1 | 1 | 1 |
| 99 | Hadice L=1450 Flexible verrier | Schlauch Hose | Y0233 | 1 | 1 | - | - |
| 99 | Hadice L=1700 Flexible verrier | Schlauch Hose | Y0237 | - | - | 1 | 1 |
| 100 | Hadicová spona drát 13 Agrafe | Schelle Clip | 081 026 | 2 | 2 | 2 | 2 |
| 117 | Rukojeť 4-D0387 Poignée | Handgriff Grip | 008 702 | 1 | 1 | 1 | 1 |
| 151 | Nosník levý Console | Traeger Beam | E2931 | 1 | 1 | 1 | 1 |
| 152 | Nosník pravý Console | Traeger Beam | E2932 | 1 | 1 | 1 | 1 |
| 154 | Šroub M8x16 Boulon | Schraube Screw | 067 284 | ČSN 021103.55 | 4 | 4 | 4 |
| 155 | Podložka 9 zinek Rondelle | U-Scheibe Washer | 071 226 | ČSN 021729 | 4 | 4 | 4 |
| 156 | Podložka 8 Rondelle | U-Scheibe Washer | 276 721 | ČSN 021740.05 | 4 | 4 | 4 |
| 159 | Nárazník Pare-chocs | Puffer Buffer | E2933 | 1 | 1 | 1 | 1 |
| 160 | Šroub M10x25 Boulon | Schraube Screw | 067 340 | ČSN 021103.55 | 2 | 2 | 2 |
| 161 | Podložka 10.5 Rondelle | U-Scheibe Washer | 070 504 | ČSN 021702.15 | 4 | 4 | 4 |

| 1 Žací stroj | | Rasentraktor | | MT8-110 | | | | |
|--------------|--------------------------------------|-------------------------|---------|---------------|----------|----------|----------|---|
| B Toudeuse | | Lawn tractor | | | | | | |
| 1 | 2 | 3 | 4 | 22 M1 | 25 M1 | 26 M1 | 29 H1 | |
| 162 | Podložka 10 Rondelle | U-Scheibe Washer | 071 541 | ČSN 021740.05 | 2 | 2 | 2 | 2 |
| 163 | Matice M10 Écrou | Mutter Nut | 070 091 | ČSN 021401.55 | 2 | 2 | 2 | 2 |
| 164 | Zátka C.85 D=50 Bouchon | Stopfen Piug | 022 241 | | 2 | 2 | 2 | 2 |
| 166 | Pojistka Fusible | Sicherung Fuse | E2946 | | 1 | 1 | 1 | 1 |
| 167 | Pružina 1.6x11.5x50x19.75 Ressort | Feder Spring | 599 533 | ČSN 026030.0 | 1 | 1 | 1 | 1 |
| 184 | Táhlo Tige | Zugstange Draw. rod | E0078 | | 2 | 2 | 2 | 2 |
| 185 | Podložka 17 Rondelle | U-Scheibe Washer | 070 532 | ČSN 021702.15 | 4 | 4 | 4 | 4 |
| 186 | Závěs Suspensión | Gehaenger Suspension | E2927 | | 2 | 2 | 2 | 2 |
| 187 | Šroub M10x35 Boulon | Schraube Screw | 066 723 | ČSN 021101.55 | 4 | 4 | 4 | 4 |
| 189 | Podložka 10.5 Rondelle | U-Scheibe Washer | 070 504 | ČSN 021702.15 | 6 | 6 | 6 | 6 |
| 189 | Podložka 10 Rondelle | U-Scheibe Washer | 071 541 | ČSN 021740.05 | 4 | 4 | 4 | 4 |
| 190 | Matice M10 Écrou | Mutter Nut | 070 091 | ČSN 021401.55 | 4 | 4 | 4 | 4 |
| 191 | Sekačka Faucheuse rotative | Hackener Cutter | E2780 | | 1 | 1 | 1 | 1 |
| 193 | Kolík Cheville | Stift Pin | E0081 | | 4 | 4 | 4 | 4 |
| 194 | Pérová závlačka 4-02656 Goupille | Splint Splint pin | 081 852 | | 4 | 4 | 4 | 4 |
| 197 | Tunel Tunnel | Tunnel Tunnel | E2880 | | 1 | 1 | 1 | 1 |
| | | | | | | | | |
| | | | | | | | | |
| | | | | | | | | |
| | | | | | | | | |
| | | | | | | | | |
| | | | | | | | | |
| | | | | | | | | |
| | | | | | | | | |
| | | | | | | | | |
| | | | | | | | | |
| | | | | | | | | |
| | | | | | | | | |
| | | | | | | | | |
| | | | | | | | | |

MT8-110.22M1
MT8-110.25M1
MT8-110.26M1
MT8-110.29H1
1C

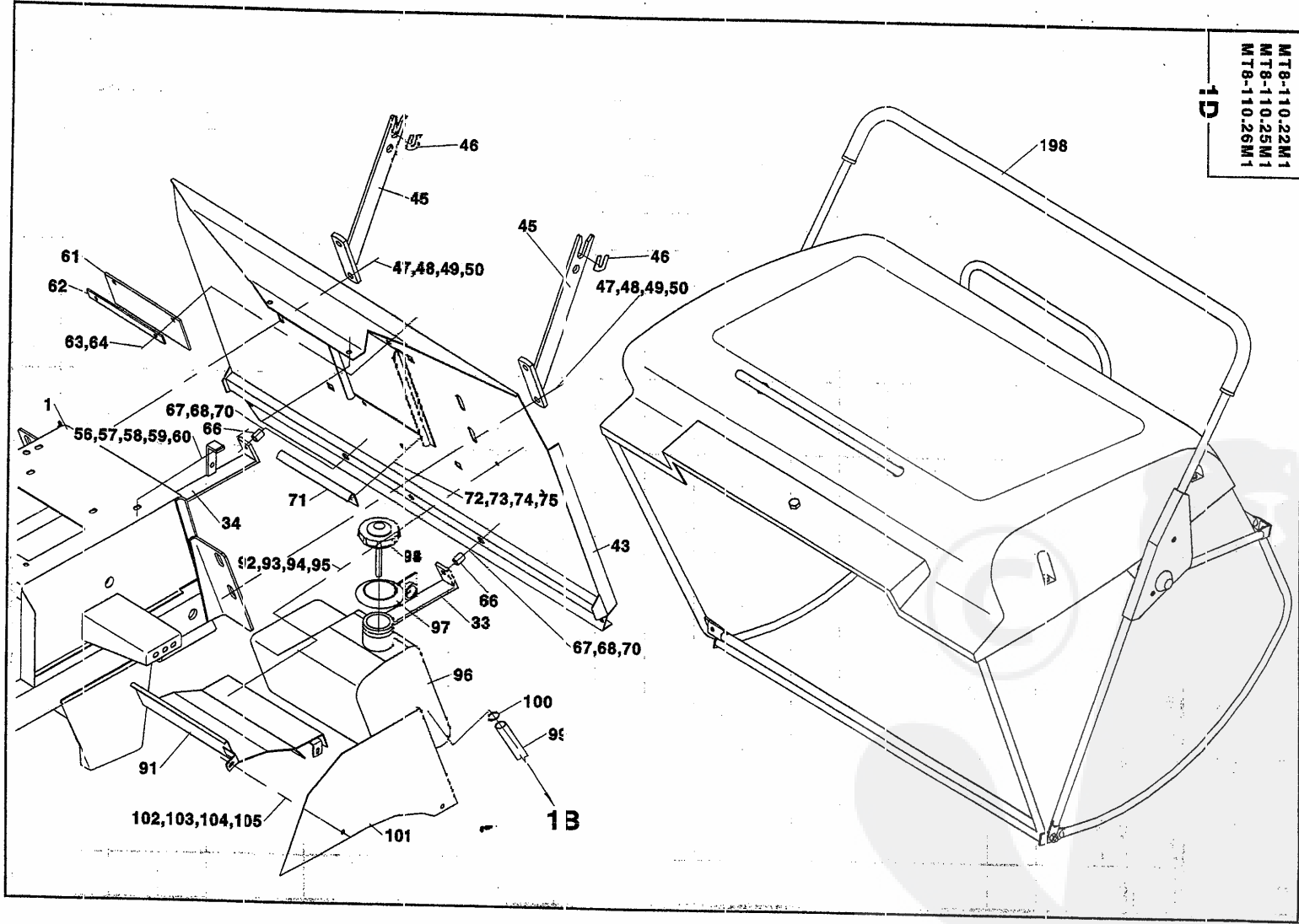


| 1 Žací stroj | | Rasentraktor | | MT8-110 | | | |
|--------------|---------------------------------|----------------------|---------|---------------|----------|----------|----------|
| C Toudeuse | | Lawn tractor | | | | | |
| 1 | 2 | 3 | 4 | no M1 | no M1 | no M1 | no H1 |
| 1 | Rám Cadre | Rahmen Frame | E2791 | 1 | 1 | 1 | 1 |
| 43 | Zadní deska Plaque | Platte Plate | E2892 | 1 | 1 | 1 | - |
| 43 | Zadní deska Plaque | Platte Plate | E3340 | - | - | - | 1 |
| 81 | Podlaha Plancher | Boden Floor | E0135 | 1 | 1 | 1 | 1 |
| 82 | Šroub M8x20 zink Boulon | Schraube Screw | 061 244 | ČSN 021319 | 2 | 2 | 2 |
| 83 | Podložka 10.5 Rondelle | U-Scheibe Washer | 070 504 | ČSN 021702.15 | 2 | 2 | 2 |
| 84 | Podložka 8.4 Rondelle | U-Scheibe Washer | 070 812 | ČSN 021702.15 | 2 | 2 | 2 |
| 85 | Podložka 8 Rondelle | U-Scheibe Washer | 276 721 | ČSN 021740.05 | 2 | 2 | 2 |
| 86 | Matice M8 Écrou | Mutter Nut | 070 084 | ČSN 021401.55 | 2 | 2 | 2 |
| 87 | Šroub M8x20 Boulon | Schraube Screw | 278 893 | ČSN 021151.25 | 4 | 4 | 4 |
| 88 | Podložka 18 zink Rondelle | U-Scheibe Washer | 071 254 | ČSN 021729 | 4 | 4 | 4 |
| 89 | Podložka 9 zink Rondelle | U-Scheibe Washer | 071 226 | ČSN 021729 | 4 | 4 | 4 |
| 90 | Matice M8 Écrou | Mutter Nut | 596 142 | ČSN 021492.25 | 4 | 4 | 4 |
| 109 | Blatník Garde-bove | Kotfluegel Fender | E3046 | | 1 | 1 | 1 |
| 109 | Blatník Garde-bove | Kotfluegel Fender | E3047 | | - | - | 1 |
| 110 | Šroub M8x20 Boulon | Schraube Screw | 067 291 | ČSN 021103.55 | 6 | 6 | 6 |
| 111 | Podložka 8.4 Rondelle | U-Scheibe Washer | 070 812 | ČSN 021702.15 | 10 | 10 | 10 |
| 112 | Podložka 8 Rondelle | U-Scheibe Washer | 276 721 | ČSN 021740.05 | 6 | 6 | 6 |
| 113 | Matice M8 Écrou | Mutter Nut | 069 176 | ČSN 021401.25 | 4 | 4 | 4 |
| 121 | Miska Couvercle | Schale Pan | E0025 | | 2 | 2 | 2 |
| 123 | Pružina 4-E3057 zink Ressórt | Feder Spring | 022 346 | | 2 | 2 | 2 |
| 124 | Víčko 4-D0658 Couvercle | Kappe Cap | 008 170 | | 2 | 2 | 2 |
| 125 | Váleček 4-D0386 Rouleau | Walze Roller | 008 156 | | 4 | 4 | 4 |
| 126 | Šroub M8x70 Boulon | Schraube Screw | 120 784 | ČSN 021101.55 | 2 | 2 | 2 |

| 1 Žací stroj | | Rasentraktor | | | MT8-110 | | | | |
|--------------|--------------------------------------|--------------------------------|---------|---------------|----------|----------|----------|---|--|
| C Toudeuse | | Lawn tractor | | | | | | | |
| 1 | 2 | 3 | 4 | 22 M1 | 25 M1 | 26 M1 | 29 H1 | | |
| 127 | Podložka 8.4 Rondelle | U-Scheibe Washer | 070 812 | ČSN 021702.15 | 4 | 4 | 4 | 4 | |
| 128 | Matice M8 Écrou | Mutter Nut | 070 084 | ČSN 021401.55 | 2 | 2 | 2 | 2 | |
| 131 | Konzola pravá Console | Konsolle Console | E0022 | | 1 | 1 | 1 | 1 | |
| 132 | Konzola levá Console | Konsolle Console | E0023 | | 1 | 1 | 1 | 1 | |
| 133 | Podložka Rondelle | U-Scheibe Washer | E0026 | | 4 | 4 | 4 | 4 | |
| 135 | Šroub M8x25 Boulon | Schraube Screw | 067 305 | ČSN 021103.55 | 4 | 4 | 4 | 4 | |
| 136 | Podložka 6 Rondelle | U-Scheibe Washer | 276 721 | ČSN 021740.05 | 4 | 4 | 4 | 4 | |
| 137 | Matice M8 Écrou | Mutter Nut | 069 176 | ČSN 021401.25 | 4 | 4 | 4 | 4 | |
| 141 | Nosič sedačky Support de siège | Traeger Carrier | E0021 | | 1 | 1 | 1 | 1 | |
| 142 | Šroub M8x20 Boulon | Schraube Screw | 067 291 | ČSN 021103.55 | 2 | 2 | 2 | 2 | |
| 143 | Podložka 8.4 Rondelle | U-Scheibe Washer | 070 812 | ČSN 021702.15 | 8 | 8 | 8 | 8 | |
| 144 | Matice M8 Écrou | Mutter Nut | 596 142 | ČSN 021492.25 | 2 | 2 | 2 | 2 | |
| 145 | Rozpěrka L=4 Cale | Distanzring Spacer | Y0414 | | 2 | 2 | 2 | 2 | |
| 147 | Sedadlo Siège | Sitz Seat | E0019 | | 1 | 1 | 1 | 1 | |
| 148 | Šroub 5/16"x5/8" BN 67 VZG Boulon | Schraube Screw | 022 766 | UNC 8.8 | 4 | 4 | 4 | 4 | |
| 149 | Spínač sedadlový Commutateur | Schalter Switch | 019 546 | | 1 | 1 | 1 | 1 | |
| 165 | Kapota Capot | Haube Hood | E2940 | | 1 | - | - | - | |
| 165 | Kapota Capot | Haube Hood | E2941 | | - | 1 | 1 | 1 | |
| 251 | Elektrovýzbroj Équipement élect. | Elekt. anlage Elekt. systém | E2820 | | 1 | - | - | - | |
| 251 | Elektrovýzbroj Équipement élect. | Elekt. anlage Elekt. systém | E2830 | | - | 1 | - | - | |
| 251 | Elektrovýzbroj Équipement élect. | Elekt. anlage Elekt. systém | E3410 | | - | - | 1 | - | |
| 251 | Elektrovýzbroj Équipement élect. | Elekt. anlage Elekt. systém | E2835 | | - | - | - | 1 | |
| 256 | Kryt Couvercle | Deckel Cover | E3072 | | 1 | 1 | 1 | 1 | |
| 257 | Kryt Couvercle | Deckel Cover | E3067 | | 1 | 1 | 1 | 1 | |

MTS-110.22M1
MTS-110.25M1
MTS-110.26M1

1D



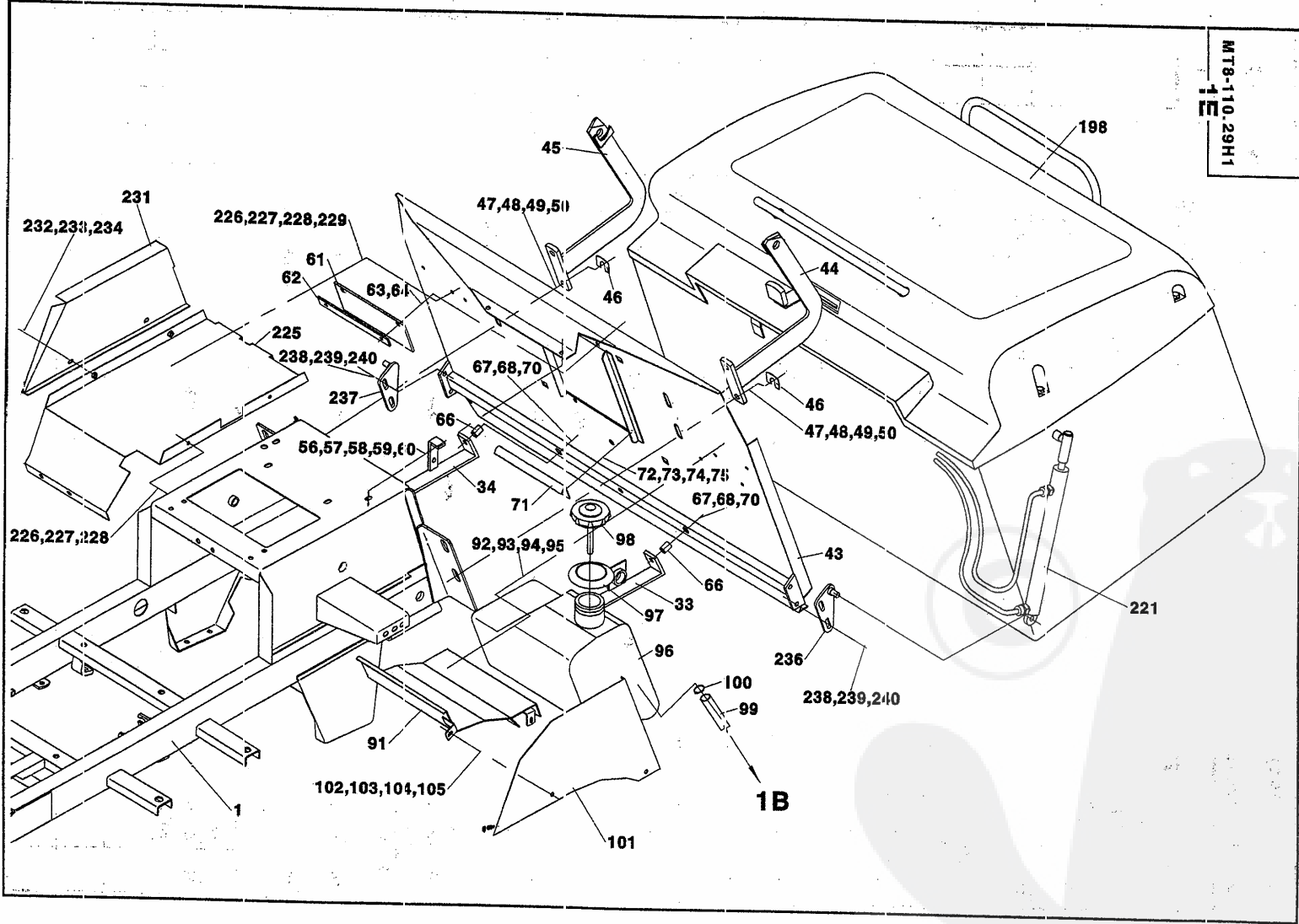
26

1B

| 1 Žací stroj | | Rasentraktor | | MT8-110 | | | | |
|--------------|---------------------------------|---------------------|---------|---------------|----|----|----|---|
| D Toudeuse | | Lawn tractor | | | | | | |
| 1 | 2 | 3 | 4 | M1 | M1 | M1 | H1 | |
| 1 | Rám Cadre | Rahmen Frame | E2791 | 1 | 1 | 1 | - | |
| 33 | Držák levý Support | Halter Holder | E3500 | 1 | 1 | 1 | - | |
| 34 | Držák pravý Support | Halter Holder | E3501 | 1 | 1 | 1 | - | |
| 43 | Zadní deska Plaque | Platte Plate | E2892 | 1 | 1 | 1 | - | |
| 45 | Držák zásobníku Support | Halter Holder | E2888 | 2 | 2 | 2 | - | |
| 46 | Vymezovací podložka Rondelle | U-Scheibe Washer | E0114 | 6 | 6 | 6 | - | |
| 47 | Šroub M10x30 Boulon | Schraube Screw | 067 354 | CSN 021103.55 | 4 | 4 | 4 | - |
| 48 | Podložka 11 zink Rondelle | U-Scheibe Washer | 071 233 | ČSN 021729 | 4 | 4 | 4 | - |
| 49 | Podložka 10 Rondelle | U-Scheibe Washer | 071 541 | ČSN 021740.05 | 4 | 4 | 4 | - |
| 50 | Matice M10 Écrou | Mutter Nut | 070 091 | ČSN 021401.55 | 4 | 4 | 4 | - |
| 56 | Šroub M10x20 zink Boulon | Schraube Screw | 061 244 | ČSN 021319 | 2 | 2 | 2 | - |
| 57 | Podložka 13 Rondelle | U-Scheibe Washer | 070 511 | ČSN 021702.15 | 2 | 2 | 2 | - |
| 58 | Podložka 8.4 Rondelle | U-Scheibe Washer | 070 812 | ČSN 021702.15 | 2 | 2 | 2 | - |
| 59 | Podložka 8 Rondelle | U-Scheibe Washer | 276 721 | ČSN 021740.05 | 2 | 2 | 2 | - |
| 60 | Matice M8 Écrou | Mutter Nut | 070 084 | ČSN 021401.55 | 2 | 2 | 2 | - |
| 61 | Clona Diaphragm | Blende Diaphragm | E0537 | 1 | 1 | 1 | - | |
| 62 | Příložka Cale | Beilage Shim | E0549 | 1 | 1 | 1 | - | |
| 63 | Šroub M6x20 zink Boulon | Schraube Screw | 077 042 | ČSN 021319 | 2 | 2 | 2 | - |
| 64 | Matice M6 Écrou | Mutter Nut | 596 275 | ČSN 021492.25 | 2 | 2 | 2 | - |
| 66 | Rožpěrka L=19 Cale | Spreitze Spacer | Y0203 | 2 | 2 | 2 | - | |
| 67 | Šroub M8x40 Boulon | Schraube Screw | 066 646 | ČSN 021101.55 | 2 | 2 | 2 | - |
| 68 | Podložka 8.4 Rondelle | U-Scheibe Washer | 070 812 | ČSN 021702.15 | 4 | 4 | 4 | - |
| 70 | Matice M8 Écrou | Mutter Nut | 596 142 | ČSN 021492.25 | 2 | 2 | 2 | - |
| 71 | Kluzák Etanchement | Gleitkupe Slide | E2891 | 1 | 1 | 1 | - | |

| 1 Žací stroj | | Rasentraktor | | MT8-110 | | | | |
|--------------|---|----------------------------|---------|---------------|-------|-------|-------|---|
| D Toudeuse | | Lawn tractor | | | | | | |
| 1 | 2 | 3 | 4 | 50 M1 | 50 M1 | 50 M1 | 50 H1 | |
| 72 | Šroub M6x16 zink Boulon | Schraube Screw | 509 933 | ČSN 021319 | 2 | 2 | 2 | - |
| 73 | Podložka 6.4 Rondelle | U-Scheibe Washer | 070 805 | ČSN 021702.15 | 2 | 2 | 2 | - |
| 74 | Matice M6 Écrou | Mutter Nut | 596 275 | ČSN 021492.25 | 2 | 2 | 2 | - |
| 75 | Podložka 8.4 Rondelle | U-Scheibe Washer | 070 812 | ČSN 021702.15 | 2 | 2 | 2 | - |
| 91 | Kryt Couvercle | Deckel Cover | E2963 | | 1 | 1 | 1 | - |
| 92 | Šroub M6x16 Boulon | Schraube Screw | 067 242 | ČSN 021103.55 | 2 | 2 | 2 | - |
| 93 | Podložka 6.4 Rondelle | U-Scheibe Washer | 070 805 | ČSN 021702.15 | 4 | 4 | 4 | - |
| 94 | Podložka 6 Rondelle | U-Scheibe Washer | 276 700 | ČSN 021740.05 | 2 | 2 | 2 | - |
| 95 | Matice M6 Écrou | Mutter Nut | 069 162 | ČSN 021401.25 | 2 | 2 | 2 | - |
| 96 | Palivová nádrž Réservoir | Rahaelter Tank | E2960 | | 1 | 1 | 1 | - |
| 97 | Manžeta 4-E2962 Collar | Manschette Collar | 022 290 | | 1 | 1 | 1 | - |
| 98 | Palivoměr KELCH 9.75"106945 Compteur | Kraftstoffm. Fuel gauge | 022 612 | | 1 | 1 | 1 | - |
| 99 | Hadice L=1450 Flexible vermer | Schlauch Hose | Y0233 | | 1 | 1 | - | - |
| 99 | Hadice L=1700 Flexible verifier | Schlauch Hose | Y0237 | | - | - | 1 | - |
| 100 | Hadicová spona drát 13 Agrafe | Schelle Clip | 081 026 | | 2 | 2 | 2 | - |
| 101 | Kryt nádrže Couvercle | Deckel Cover | E2968 | | 1 | 1 | 1 | - |
| 102 | Šroub M6x12 Boulon | Schraube Screw | 094 553 | ČSN 021103.55 | 2 | 2 | 2 | - |
| 103 | Podložka 6.4 Rondelle | U-Scheibe Washer | 070 805 | ČSN 021702.15 | 2 | 2 | 2 | - |
| 104 | Podložka 6 Rondelle | U-Scheibe Washer | 276 700 | ČSN 021740.05 | 2 | 2 | 2 | - |
| 105 | Matice M6 Écrou | Mutter Nut | 069 162 | ČSN 021401.25 | 2 | 2 | 2 | - |
| 198 | Zásobník Étrier | Bunker Benker | Y0230 | | 1 | 1 | 1 | - |
| | | | | | | | | |
| | | | | | | | | |
| | | | | | | | | |

MT8-110, 29H1
1E

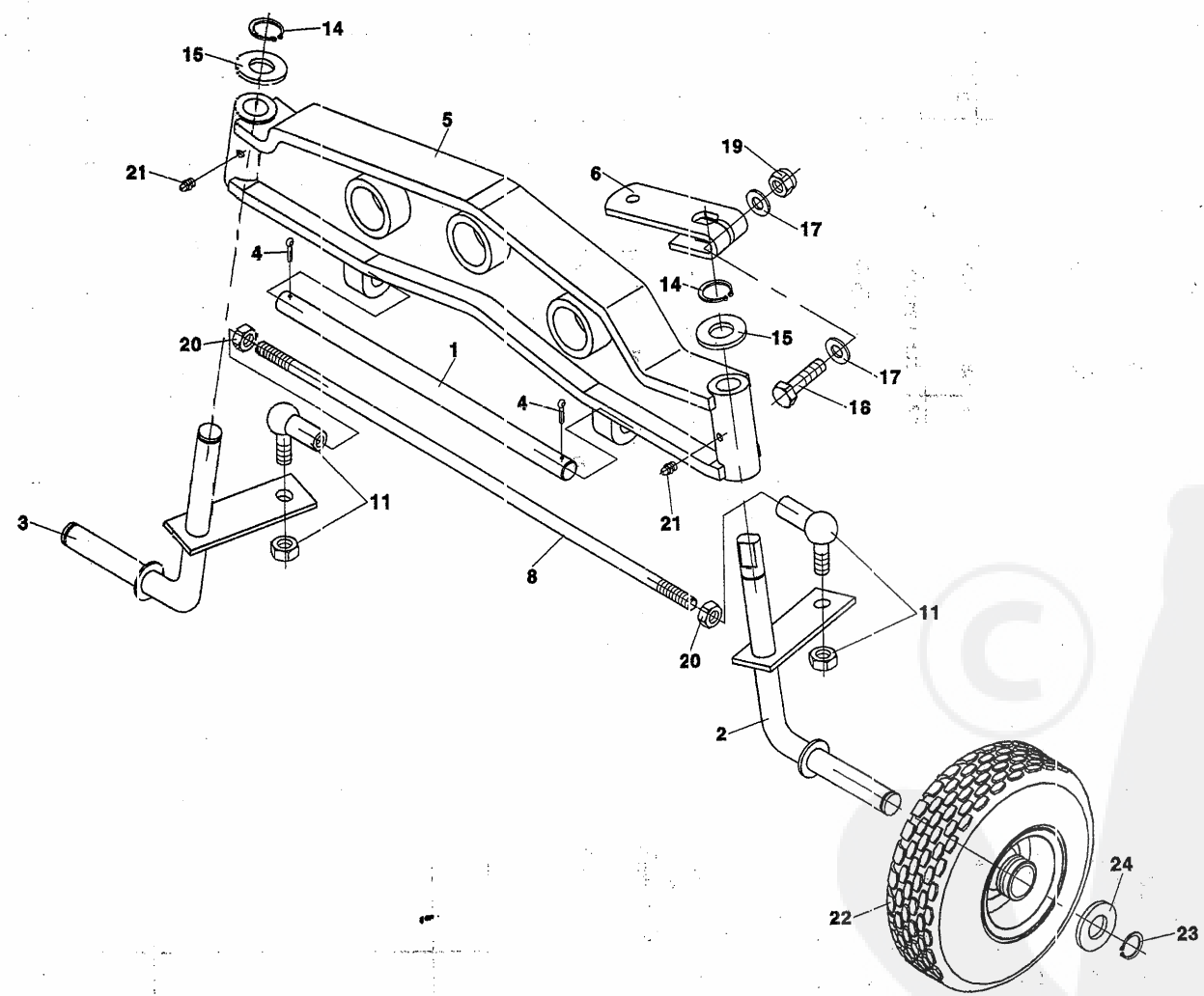


| 1 Žací stroj | | Rasentraktor | | MT8-110 | | | |
|--------------|----------------------------------|---------------------|---------|---------------|----|----|----|
| E Toudeuse | | Lawn tractor | | | | | |
| 1 | 2 | 3 | 4 | M1 | M1 | M1 | H1 |
| 1 | Rám Cadre | Rahmen Frame | E2791 | - | - | - | 1 |
| 33 | Držák levý Support | Halter Holder | E3500 | - | - | - | 1 |
| 34 | Držák pravý Support | Halter Holder | E3501 | - | - | - | 1 |
| 43 | Zadní deska Plaque | Platte Plate | E3340 | - | - | - | 1 |
| 44 | Držák zásobníku levý Support | Halter Holder | E3350 | - | - | - | 1 |
| 45 | Držák zásobníku pravý Support | Halter Holder | E3351 | - | - | - | 1 |
| 46 | Vymezovací podložka Rondelle | U-Scheibe Washer | E0114 | - | - | - | 6 |
| 47 | Šroub M10x30 Boulon | Schraube Screw | 067 354 | ČSN 021103.55 | - | - | 4 |
| 48 | Podložka 11 zink Rondelle | U-Scheibe Washer | 071 233 | ČSN 021729 | - | - | 4 |
| 49 | Podložka 10 Rondelle | U-Scheibe Washer | 071 541 | ČSN 021740.05 | - | - | 4 |
| 50 | Matice M10 Écrou | Mutter Nut | 070 091 | ČSN 021401.55 | - | - | 4 |
| 56 | Šroub M10x20 zink Boulon | Schraube Screw | 061 244 | ČSN 021319 | - | - | 2 |
| 57 | Podložka 13 Rondelle | U-Scheibe Washer | 070 511 | ČSN 021702.15 | - | - | 2 |
| 58 | Podložka 8.4 Rondelle | U-Scheibe Washer | 070 812 | ČSN 021702.15 | - | - | 2 |
| 59 | Podložka 8 Rondelle | U-Scheibe Washer | 276 721 | ČSN 021740.05 | - | - | 2 |
| 60 | Matice M8 Écrou | Mutter Nut | 070 084 | ČSN 021401.55 | - | - | 2 |
| 61 | Clona Diaphragm | Blende Diaphragm | E0537 | - | - | - | 1 |
| 62 | Přiloha Cale | Beilage Shim | E0549 | - | - | - | 1 |
| 63 | Šroub M6x20 zink Boulon | Schraube Screw | 077 042 | ČSN 021319 | - | - | 2 |
| 64 | Matice M6 Écrou | Mutter Nut | 596 275 | ČSN 021492.25 | - | - | 2 |
| 66 | Rozpěrka L=18 Cale | Spreitze Spacer | Y0203 | - | - | - | 2 |
| 67 | Šroub M8x40 Boulon | Schraube Screw | 066 646 | ČSN 021101.55 | - | - | 2 |
| 68 | Podložka 8.4 Rondelle | U-Scheibe Washer | 070 812 | ČSN 021702.15 | - | - | 4 |
| 70 | Matice M8 Écrou | Mutter Nut | 596 142 | ČSN 021492.25 | - | - | 2 |

| 1 | | Žací stroj | | Rasentraktor | | MT8-110 | | | |
|-----|--|--------------------------------|---------|---------------|----------|----------|----------|---|--|
| E | | Toudeuse | | Lawn tractor | | | | | |
| 4 | 2 | 3 | 4 | 22 M1 | 25 M1 | 26 M1 | 28 H1 | | |
| 71 | Kluzák Etanchement | Gleitkupe Slide | E2891 | | - | - | - | 1 | |
| 72 | Šroub M6x16 zink Boulon | Schraube Screw | 509 933 | ČSN 021329 | - | - | - | 2 | |
| 73 | Podložka 6.4 Rondelle | U-Scheibe Washer | 070 805 | ČSN 021702.15 | - | - | - | 2 | |
| 74 | Matice M6 Écrou | Mutter Nut | 596 275 | ČSN 021492.25 | - | - | - | 2 | |
| 75 | Podložka 8.4 Rondelle | U-Scheibe Washer | 070 812 | ČSN 021702.15 | - | - | - | 2 | |
| 91 | Kryt Couvercle | Deckel Cover | E2963 | | - | - | - | 1 | |
| 92 | Šroub M6x16 Boulon | Schraube Screw | 067 242 | ČSN 021103.55 | - | - | - | 2 | |
| 93 | Podložka 6.4 Rondelle | U-Scheibe Washer | 070 805 | ČSN 021702.15 | - | - | - | 4 | |
| 94 | Podložka 6 Rondelle | U-Scheibe Washer | 276 700 | ČSN 021740.05 | - | - | - | 2 | |
| 95 | Matice M6 Écrou | Mutter Nut | 069 162 | ČSN 021401.25 | - | - | - | 2 | |
| 96 | Palivová nádrž Réservoir | Behälter Tank | E2960 | | - | - | - | 1 | |
| 97 | Manžeta 4-E2962 Collar | Manschette Collar | 022 290 | | - | - | - | 1 | |
| 98 | Palivoměr KELCH 9.75*106945 Compteur | Kraftstoffm. Fuel gauge | 022 612 | | - | - | - | 1 | |
| 99 | Hadice L=1700 Flexible verifrier | Schlauch Hose | Y0237 | | - | - | - | 1 | |
| 100 | Hadicová spona drát 13 Agrafe | Schelle Clip | 081 026 | | - | - | - | 2 | |
| 101 | Kryt nádrže Couvercle | Deckel Cover | E2968 | | - | - | - | 1 | |
| 102 | Šroub M6x12 Boulon | Schraube Screw | 094 553 | ČSN 021103.55 | - | - | - | 2 | |
| 103 | Podložka 6.4 Rondelle | U-Scheibe Washer | 070 805 | ČSN 021702.15 | - | - | - | 2 | |
| 104 | Podložka 6 Rondelle | U-Scheibe Washer | 276 700 | ČSN 021740.05 | - | - | - | 2 | |
| 105 | Matice M6 Écrou | Mutter Nut | 069 162 | ČSN 021401.25 | - | - | - | 2 | |
| 198 | Zásobník Étrier | Bunker Benker | Y0238 | | - | - | - | 1 | |
| 221 | Zvedání zásobníku hydraul. Dispositif de levage | Hebewinde Lifting of benker | E3200 | | - | - | - | 1 | |
| 225 | Kryt Couvercle | Deckel Cover | E3223 | | - | - | - | 1 | |
| 226 | Šroub M6x16 Boulon | Schraube Screw | 067 242 | ČSN 021103.55 | - | - | - | 3 | |

MT8-110.22M1
MT8-110.25M1
MT8-110.26M1
MT8-110.29H1

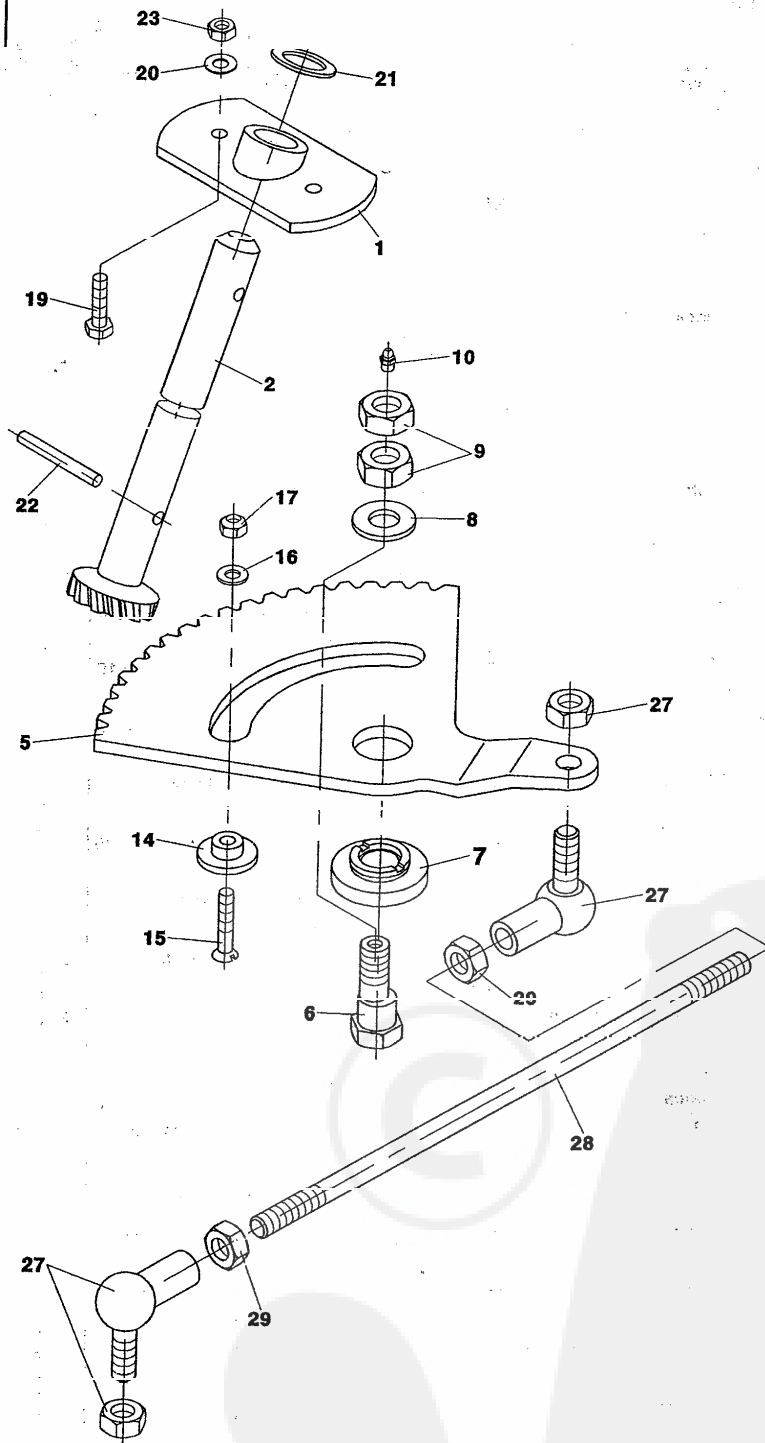
2



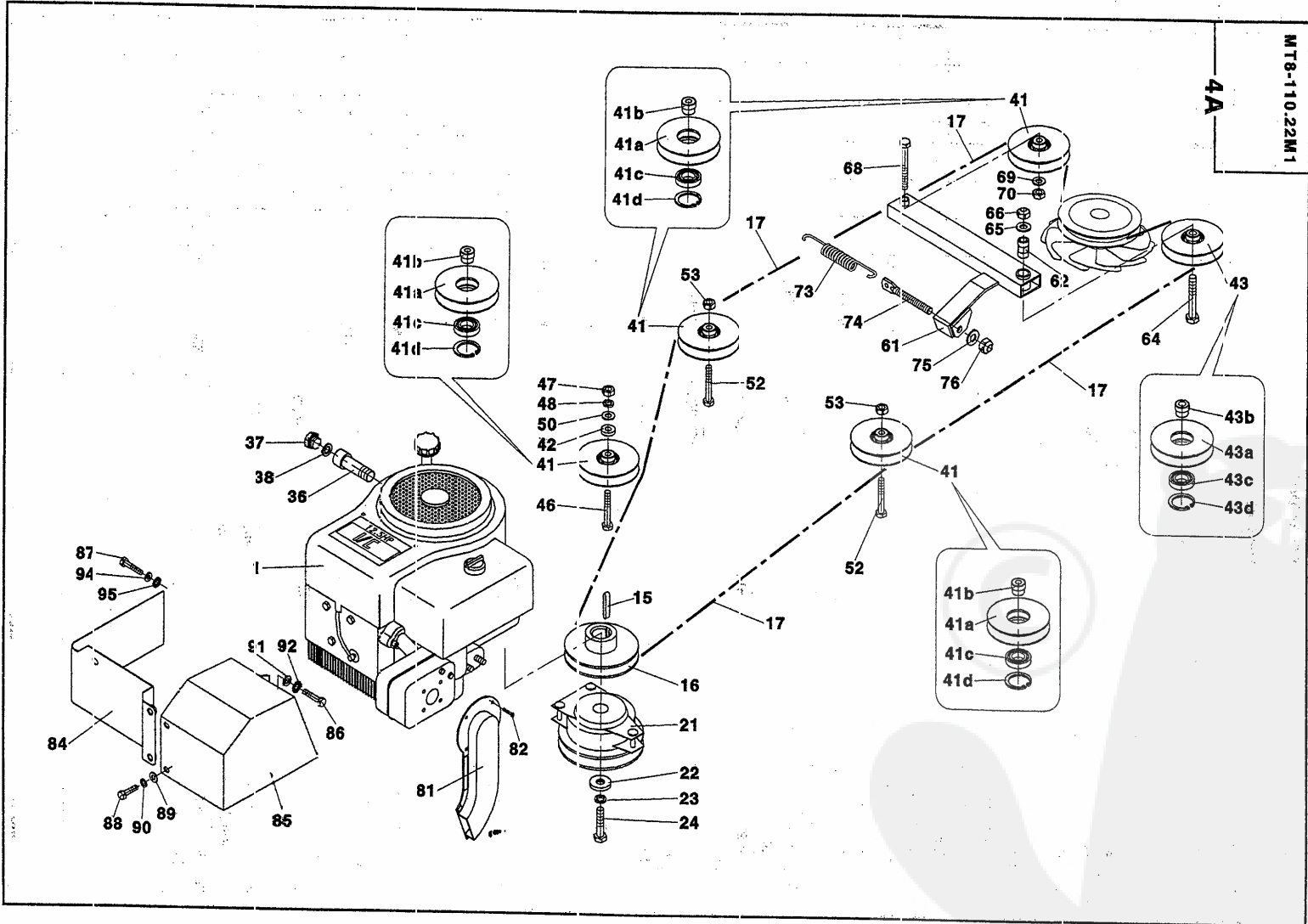
| 2 Přední náprava Essieu avant | | Vorderachse Front axle | | MT8-110 | | | |
|----------------------------------|---|---------------------------|---------|---------------|----------|----------|----------|
| 1 | 2 | 3 | 4 | 22 M1 | 25 M1 | 26 M1 | 29 H1 |
| - | Přední náprava Essieu avant | Vorderachse Front axle | E2920 | 1 | 1 | 1 | 1 |
| 1 | Čep Fusée | Bolzen Pin | E0348 | 1 | 1 | 1 | 1 |
| 2 | Čep levý Fusée gauche | Bolzen Pin | E2921 | 1 | 1 | 1 | 1 |
| 3 | Čep pravý Fusée droit | Bolzen Pin | E0339 | 1 | 1 | 1 | 1 |
| 4 | Pérová závlačka 4-02656 Goupille | Splint Splint pin | 081 852 | 2 | 2 | 2 | 2 |
| 5 | Nápravnice Essieu | Achse Axle | E0343 | 1 | 1 | 1 | 1 |
| 6 | Patka Plague | Fuss Foot | D0905 | 1 | 1 | 1 | 1 |
| 8 | Spojovací táhlo Transmission | Zugstange Drawing rod | E0346 | 1 | 1 | 1 | 1 |
| 11 | Kulový čep 636610 Joint | Bolzen Pin | 006 572 | 2 | 2 | 2 | 2 |
| 14 | Kroužek 15 Bague | Ring Ring | 007 252 | ČSN 022929.05 | 2 | 2 | 2 |
| 15 | Podložka 19 Rondelle | Unterlage Washer | 070 546 | ČSN 021702.15 | 4 | 4 | 4 |
| 17 | Podložka 10.5 Rondelle | Unterlage Washer | 070 504 | ČSN 021702.15 | 2 | 2 | 2 |
| 18 | Šroub M10x60 Vis | Schraube Screw | 614 941 | ČSN 021101.55 | 1 | 1 | 1 |
| 19 | Matice M10 Écrou | Mutter Nut | 596 163 | ČSN 021492.25 | 1 | 1 | 1 |
| 20 | Matice M10 Écrou | Mutter Nut | 069 183 | ČSN 021401.25 | 2 | 2 | 2 |
| 21 | Hlavice KM 6x1 01367 Tête | Kopf Head | 280 145 | ČSN 027421 | 2 | 2 | 2 |
| 22 | Kolo B-15x6.00-6 2PR TL TURF Roue | Rad Wheel | 019 203 | | 2 | 2 | 2 |
| 23 | Pojistný kroužek 19 Bague de blocage | Sicher. ring Circlip | 016 904 | ČSN 022930 | 2 | 2 | 2 |
| 24 | Podložka 19 Rondelle | Unterlage Washer | 070 546 | ČSN 021702.15 | 2 | 2 | 2 |
| | | | | | | | |
| | | | | | | | |
| | | | | | | | |
| | | | | | | | |
| | | | | | | | |

MT8-110.22M1
MT8-110.25M1
MT8-110.26M1
MT8-110.29H1

3

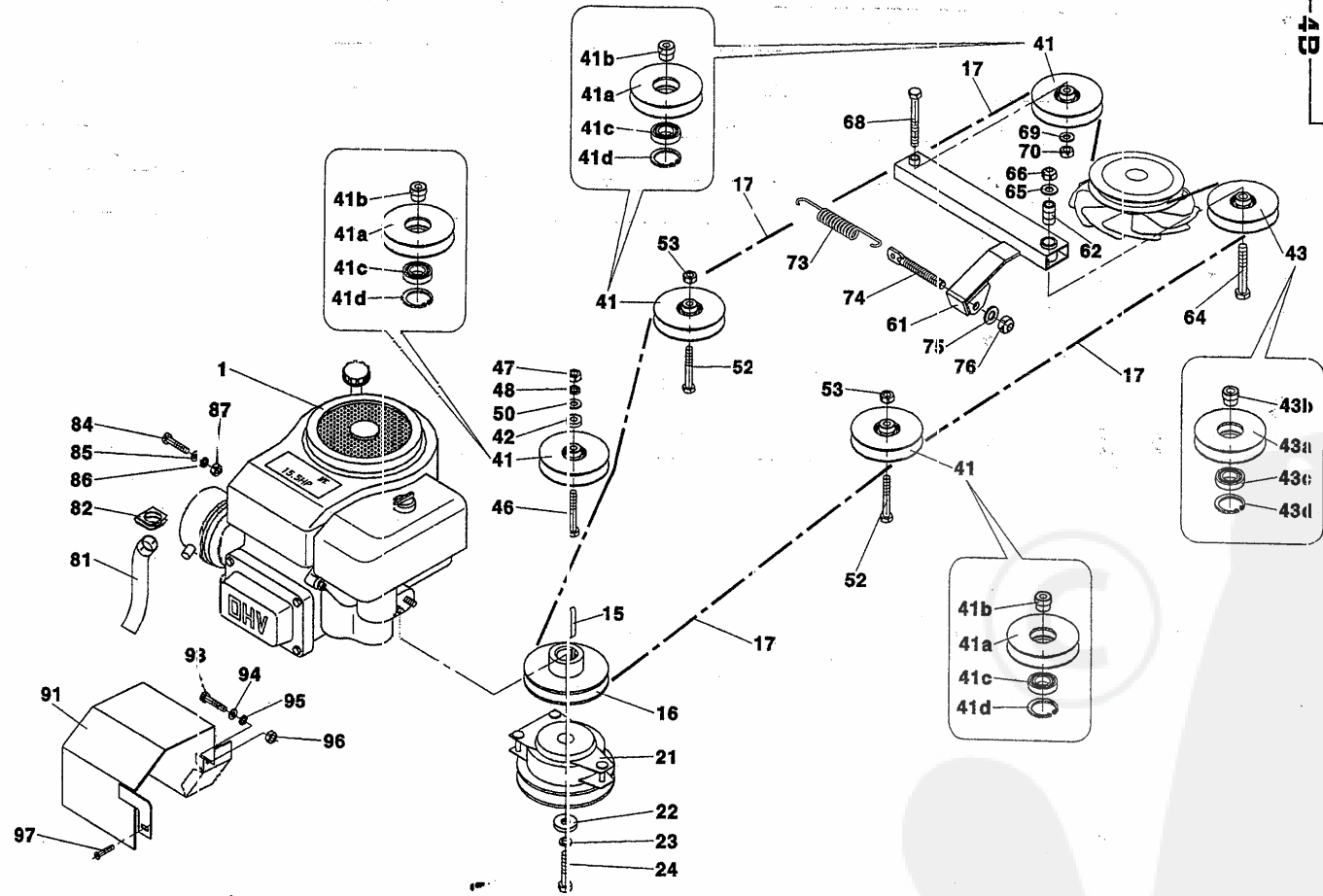


| 3 Řízení | | Steuerung | | MT8-110 | | | |
|-----------|--------------------------------------|-------------------------------|---------|---------------|----|----|----|
| Direction | | Steering | | | | | |
| 1 | 2 | 3 | 4 | M1 | M1 | M1 | H1 |
| - | Řízení Direction | Steuerung Steering | E2905 | 1 | 1 | 1 | 1 |
| 1 | Ložisko Palier | Lager Bearing | E0415 | 1 | 1 | 1 | 1 |
| 2 | Pastorek úplný Pignon | Ritzel Pinion | E2906 | 1 | 1 | 1 | 1 |
| 5 | Ozubený segment Segment | Segment Segment | E0410 | 1 | 1 | 1 | 1 |
| 6 | Excentrický čep Fusée excentrique | Bolzen Pin | E0421 | 1 | 1 | 1 | 1 |
| 7 | Vložka Insertion | Einlage Insert | E0423 | 1 | 1 | 1 | 1 |
| 8 | Podložka 13 Rondelle | Unterlage Washer | 070 511 | ČSN 021702.15 | 1 | 1 | 1 |
| 9 | Matice M12x1.25 Écrou | Mutter Nut | 696 731 | ČSN 021403.25 | 2 | 2 | 2 |
| 10 | Hlavice KM 6x1 01367 Tête | Kopf Head | 280 145 | ČSN 027421 | 1 | 1 | 1 |
| 14 | Vložka Insertion | Einlage Insert | E0422 | 1 | 1 | 1 | 1 |
| 15 | Šroub M6x30 Vis | Schraube Screw | 627 691 | ČSN 021151.25 | 1 | 1 | 1 |
| 16 | Podložka 6.4 Rondelle | Unterlage Washer | 070 805 | ČSN 021702.15 | 1 | 1 | 1 |
| 17 | Matice M6 Écrou | Mutter nut | 596 275 | ČSN 021492.25 | 1 | 1 | 1 |
| 19 | Šroub M6x18 Vis | Schraube Screw | 017 150 | ČSN 021103.55 | 2 | 2 | 2 |
| 20 | Podložka 6.6 zink Rondelle | Unterlage Washer | 071 212 | ČSN 021729 | 2 | 2 | 2 |
| 21 | Podložka 19 Rondelle | Unterlage Washer | 070 546 | ČSN 021702.15 | 1 | 1 | 1 |
| 22 | Kolík 6x32 Cheville | Stift Pin | 074 890 | ČSN 022156 | 1 | 1 | 1 |
| 23 | Matice M6 Écrou | Mutter Nut | 596 275 | ČSN 021492.25 | 2 | 2 | 2 |
| 27 | Kulový čep 636610 Joint | Bolzen Pin | 006 572 | | 2 | 2 | 2 |
| 28 | Táhlo řízení Tige de direction | Lenkgestangen. Control rod | E0347 | | 1 | 1 | 1 |
| 29 | Matice M10 Écrou | Mutter Nut | 070 091 | ČSN 021401.55 | 2 | 2 | 2 |
| | | | | | | | |
| | | | | | | | |
| | | | | | | | |



| 4 Náhon pojezdu | | Buhne | MT8-110 | | | | | | |
|-----------------|---|-------------------------|---------|---------------|----|----|----|---|--|
| A Transmission | | Drive | | | | | | | |
| 1 | 2 | 3 | 4 | M1 | M1 | M1 | H1 | | |
| - | Náhon pojezdu Transmission | Buhne Drive | E2980 | | 1 | - | - | - | |
| 1 | Motor Briggs 12.5 HP Moteur | Motor Engine | 022 640 | | 1 | - | - | - | |
| 15 | Pero Ressort | Feder Feather | E2999 | | 1 | - | - | - | |
| 16 | Řemenice motoru Poulie | Riemencheibe Pulley | E0710 | | 1 | - | - | - | |
| 17 | Řemen AA128 Courroie | Riemen Belt | 022 661 | | 1 | - | - | - | |
| 21 | Spojka elmag. MA-GT-JD11 509 Embrayage | Kupplung Coupling | 017 570 | | 1 | - | - | - | |
| 22 | Podložka Rondelle | Unterlage Washer | E3019 | | 1 | - | - | - | |
| 23 | Podložka 12 Rondelle | Unterlage Washer | 071 555 | ČSN 021740.05 | 1 | - | - | - | |
| 24 | Šroub 7/16"x2 1/2" 4-E0713 Vis | Schraube Screw | 019 154 | | 1 | - | - | - | |
| 36 | Trubka Tube | Rohr Tube | E3065 | | 1 | - | - | - | |
| 37 | Zátka M12x1.5 Bouchon | Stopfen Plug | 661 586 | ČSN 137964.1 | 1 | - | - | - | |
| 38 | Těsnící kroužek 12x16x1.5 Bague | Dichtring O-ring | 088 054 | ČSN 029310.3 | 1 | - | - | - | |
| 41 | Kladka Galet | Rolle roller | E0719 | | 4 | - | - | - | |
| 41a | Řemenice Poulie | Riemenscheibe Pulley | E0722 | | 1 | - | - | - | |
| 41b | Vložka Pièce d'insertion | Einlage Insert | E0723 | | 1 | - | - | - | |
| 41c | Ložisko 6003 A 2RS Roulement | Lager Bearing | 124 442 | ČSN 024640 | 1 | - | - | - | |
| 41d | Pojistný kroužek 35 Anneau | Sicher. ring Circlip | 077 973 | ČSN 022931 | 1 | - | - | - | |
| 42 | Distanční trubka Tube | Rohr Tube | E0712 | | 4 | - | - | - | |
| 43 | Kladka Galet | Rolle Roller | E2990 | | 1 | - | - | - | |
| 43a | Řemenice Poulie | Riemenscheibe Pulley | E0722 | | 1 | - | - | - | |
| 43b | Vložka Pièce d'insertion | Einlage Insert | E2991 | | 1 | - | - | - | |
| 43c | Ložisko 6003 A 2RS Roulement | Lager Bearing | 124 442 | ČSN 024640 | 1 | - | - | - | |
| 43d | Pojistný kroužek 35 Anneau | Sicher. ring Circlip | 077 973 | ČSN 022931 | 1 | - | - | - | |
| 46 | Šroub M8x50 Vis | Schraube Screw | 066 660 | ČSN 021101.55 | 1 | - | - | - | |

| 4 Náhon pojezdu | | Buhne | | MT8-110 | | | | |
|-----------------|----------------------------------|------------------------|---------|---------------|----------|----------|----------|---|
| A Transmission | | Drive | | | | | | |
| 1 | 2 | 3 | 4 | 22 M1 | 23 M1 | 26 M1 | 29 H1 | |
| 47 | Matice M8 Écrou | Mutter Nut | 070 084 | ČSN 021401.55 | 1 | - | - | - |
| 48 | Podložka 8 Rondelle | Unterlage Washer | 276 721 | ČSN 021740.05 | 1 | - | - | - |
| 50 | Podložka 9 zink Rondelle | Unterlage Washer | 071 226 | ČSN 021729 | 6 | - | - | - |
| 52 | Šroub M8x40 Vis | Schraube Screw | 066 646 | ČSN 021101.55 | 2 | - | - | - |
| 53 | Matice M8 Écrou | Mutter Nut | 596 142 | ČSN 021492.25 | 3 | - | - | - |
| 61 | Rameno Bras | Arm Arm | E2992 | | 1 | - | - | - |
| 62 | Rozpěrka Cale | Spreitze Spacer | E2998 | | 1 | - | - | - |
| 64 | Šroub M10x70 Vis | Schraube Screw | 688 165 | ČSN 021101.55 | 1 | - | - | - |
| 65 | Podložka 10.5 Rondelle | Unterlage Washer | 070 504 | ČSN 021702.15 | 4 | - | - | - |
| 66 | Matice M10 Écrou | Mutter Nut | 596 163 | ČSN 021492.25 | 1 | - | - | - |
| 68 | Šroub M8x65 Vis | Schraube Screw | 017 626 | ČSN 021101.55 | 1 | - | - | - |
| 69 | Podložka 9 zink Rondelle | Unterlage Washer | 071 226 | ČSN 021729 | 3 | - | - | - |
| 70 | Matice M8 Écrou | Mutter Nut | 596 142 | ČSN 021492.25 | 1 | - | - | - |
| 73 | Pružina 4-11352 zink Ressort | Feder Spring | 099 276 | | 1 | - | - | - |
| 74 | Táhlo Tige | Zugstange Draw. rod | E2989 | | 1 | - | - | - |
| 75 | Podložka 10.5 Rondelle | Unterlage Washer | 070 504 | ČSN 021702.15 | 2 | - | - | - |
| 76 | Matice M10 Écrou | Mutter Nut | 596 163 | ČSN 021492.25 | 1 | - | - | - |
| 81 | Výfukové potrubí Echappement | Rohrleitung Piping | D3228 | | 1 | - | - | - |
| 82 | Šroub 3.9x13 Vis | Schraube Screw | 309 462 | ČSN 021232.05 | 4 | - | - | - |
| 84 | Teplený kryt Couvercle | Deckel Cover | D3239 | | 1 | - | - | - |
| 85 | Kryt Couvercle | Deckel Cover | D3227 | | 1 | - | - | - |
| 86 | Šroub 1/4"x5/8"BN 67 VZG Vis | Schraube Screw | 022 115 | UNC 8.8 | 1 | - | - | - |
| 87 | Šroub 5/16"x5/8"BN 67 VZG Vis | Schraube Screw | 022 766 | UNC 8.8 | 1 | - | - | - |
| 88 | Šroub M6x16 Vis | Schraube Screw | 067 242 | ČSN 021103.55 | 2 | - | - | - |

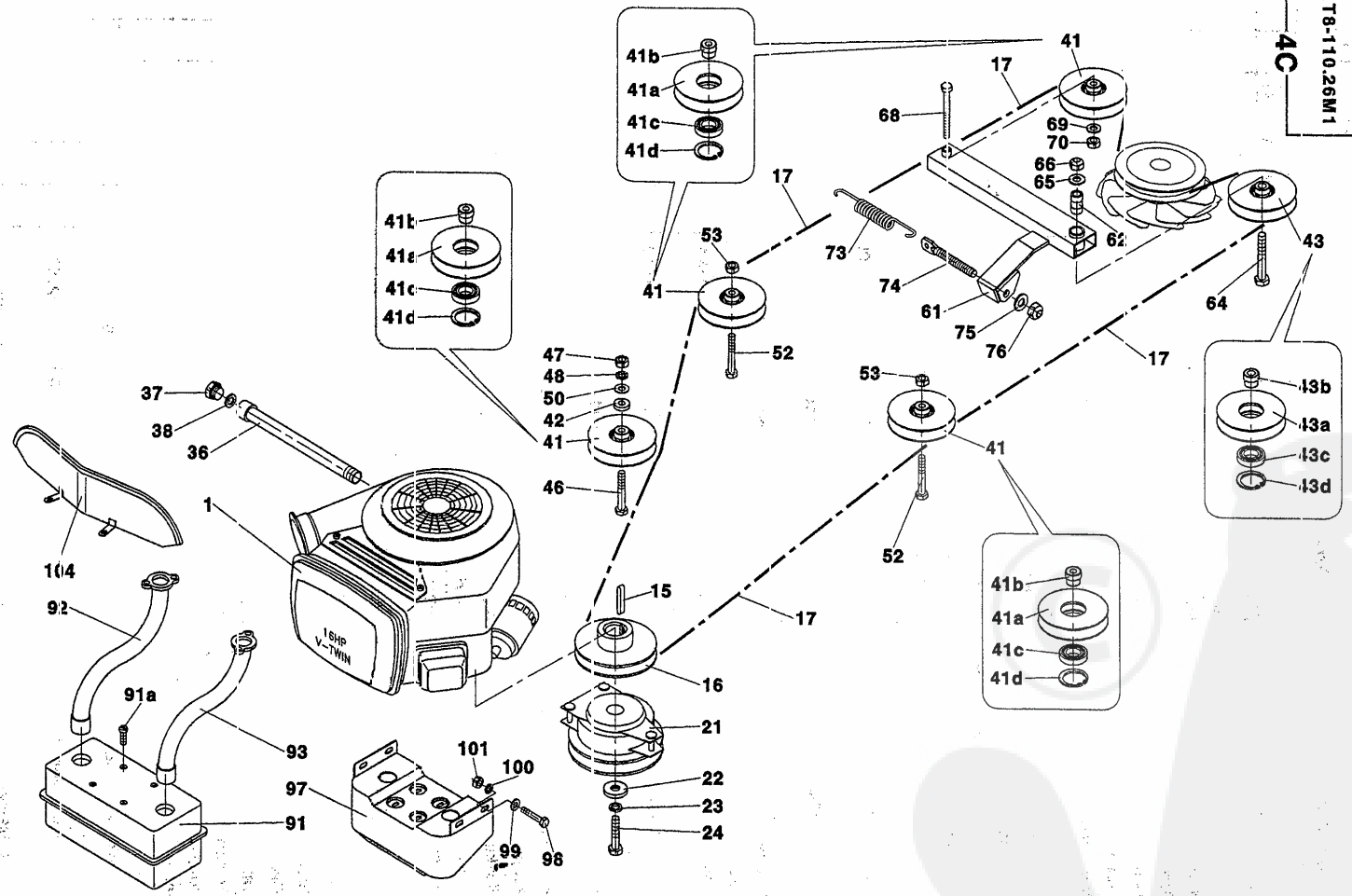


| 4 Náhon pojezdu | | | Buhne | MT8-110 | | | | |
|-----------------|---|-------------------------|---------|---------------|----------|----------|----------|--|
| B Transmission | | | Drive | | | | | |
| 1 | 2 | 3 | 4 | 22 M1 | 25 M1 | 26 M1 | 29 H1 | |
| - | Náhon pojezdu Transmission | Buhne Drive | E2981 | - | 1 | - | - | |
| 1 | Motor Briggs 15.5 HP Moteur | Motor Engine | 022 920 | - | 1 | - | - | |
| 15 | Pero Ressort | Feder Feather | E2999 | - | 1 | - | - | |
| 16 | Řemenice motoru Poulie | Riemencheibe Pulley | E0710 | - | 1 | - | - | |
| 17 | Řemen AA128 Courroie | Riemen Belt | 022 661 | - | 1 | - | - | |
| 21 | Spojka elmag. MA-GT-JD11 509 Embrayage | Kupplung Coupling | 017 570 | - | 1 | - | - | |
| 22 | Podložka Rondelle | Unterlage Washer | 22 076 | - | 1 | - | - | |
| 23 | Podložka 12 Rondelle | Unterlage Washer | 071 555 | ČSN 021740.05 | - | 1 | - | |
| 24 | Šroub 7/16"x2 1/2" 4-E0713 Vis | Schraube Screw | 019 154 | - | 1 | - | - | |
| 41 | Kladka Galet | Rolle Roller | E0719 | - | 4 | - | - | |
| 41a | Řemenice Poulie | Riemenscheibe Pulley | E0722 | - | 1 | - | - | |
| 41b | Vložka Pièce d'insertion | Einlage Insert | E0723 | - | 1 | - | - | |
| 41c | Ložisko 6003 A 2RS Roulement | Lager Bearing | 124 442 | ČSN 024640 | - | 1 | - | |
| 41d | Pojistný kroužek 35 Anneau | Sicher. ring Circlip | 077 973 | ČSN 022931 | - | 1 | - | |
| 42 | Distanční trubka Tube | Rohr Tube | E0712 | - | 4 | - | - | |
| 43 | Kladka Galet | Rolle Roller | E2990 | - | 1 | - | - | |
| 43a | Řemenice Poulie | Riemenscheibe Pulley | E0722 | - | 1 | - | - | |
| 43b | Vložka Pièce d'insertion | Einlage Insert | E2991 | - | 1 | - | - | |
| 43c | Ložisko 6003 A 2RS Roulement | Lager Bearing | 124 442 | ČSN 024640 | - | 1 | - | |
| 43d | Pojistný kroužek 35 Anneau | Sicher. ring Circlip | 077 973 | ČSN 022931 | - | 1 | - | |
| 46 | Šroub M8x50 Vis | Schraube Screw | 066 660 | ČSN 021101.55 | - | 1 | - | |
| 47 | Matice M8 Écrou | Mutter Nut | 070 084 | ČSN 021401.55 | - | 1 | - | |
| 48 | Podložka 8 Rondelle | Unterlage Washer | 276 721 | ČSN 021740.05 | - | 1 | - | |
| 50 | Podložka 9 zink Rondelle | Unterlage Washer | 071 226 | ČSN 021729 | - | 6 | - | |

| 4 Náhon pojezdu | | Buhne | | MT8-110 | | | | |
|-----------------|---------------------------------|------------------------|---------|---------------|----------|----------|----------|---|
| B Transmission | | Drive | | | | | | |
| 1 | 2 | 3 | 4 | 02 M1 | 02 M1 | 06 M1 | 06 H1 | |
| 52 | Šroub M8x40 Vis | Schraube Screw | 066 646 | ČSN 021101.55 | - | 2 | - | - |
| 53 | Matice M8 Écrou | Mutter Nut | 596 142 | ČSN 021492.25 | - | 3 | - | - |
| 61 | Rameno Rras | Arm Arm | E2992 | | - | 1 | - | - |
| 62 | Rozpěrka Cale | Spreitze Spacer | E2998 | | - | 1 | - | - |
| 64 | Šroub M10x70 Vis | Schraube Screw | 688 165 | ČSN 021101.55 | - | 1 | - | - |
| 65 | Podložka 10.5 Rondelle | Unterlage Washer | 070 504 | ČSN 021702.15 | - | 2 | - | - |
| 66 | Matice M10 Écrou | Mutter Nut | 596 163 | ČSN 021492.25 | - | 1 | - | - |
| 68 | Šroub M8x65 Vis | Schraube Screw | 017 626 | ČSN 021101.55 | - | 1 | - | - |
| 69 | Podložka 9 zink Rondelle | Unterlage Washer | 071 226 | ČSN 021729 | - | 1 | - | - |
| 70 | Matice M8 Écrou | Mutter Nut | 596 142 | ČSN 021492.25 | - | 1 | - | - |
| 73 | Pružina 4-11352 zink Ressort | Feder Spring | 099 276 | | - | 1 | - | - |
| 74 | Táhlo Tige | Zugstange Draw. rod | E2989 | | - | 1 | - | - |
| 75 | Podložka 10.5 Rondelle | Unterlage Washer | 070 504 | ČSN 021702.15 | - | 2 | - | - |
| 76 | Matice M10 Écrou | Mutter Nut | 596 163 | ČSN 021492.25 | - | 1 | - | - |
| 81 | Trubka Tube | Rohr Tube | D3426 | | - | 1 | - | - |
| 82 | Upínka Anneau | Ring Ring | D3427 | | - | 4 | - | - |
| 84 | Šroub M8x60 Vis | Schraube Screw | 695 463 | ČSN 021101.15 | - | 1 | - | - |
| 85 | Podložka 8.4 Rondelle | Unterlage Washer | 070 812 | ČSN 021702.15 | - | 2 | - | - |
| 86 | Podložka 8 Rondelle | Unterlage Washer | 276 721 | ČSN 021740.05 | - | 1 | - | - |
| 87 | Matice M8 Écrou | Mutter Nut | 069 176 | ČSN 021492.25 | - | 1 | - | - |
| 91 | Tepelný kryt Couvercle | Deckel Cover | D3421 | | - | 1 | - | - |
| 93 | Šroub M6x25 Vis | Schraube Screw | 009 384 | ČSN 021103.55 | - | 1 | - | - |
| 94 | Podložka 6.4 Rondelle | Unterlage Washer | 070 805 | ČSN 021702.15 | - | 1 | - | - |
| 95 | Podložka 6 Rondelle | Unterlage Washer | 276 700 | ČSN 021740.05 | - | 1 | - | - |

MT8-110.26M1

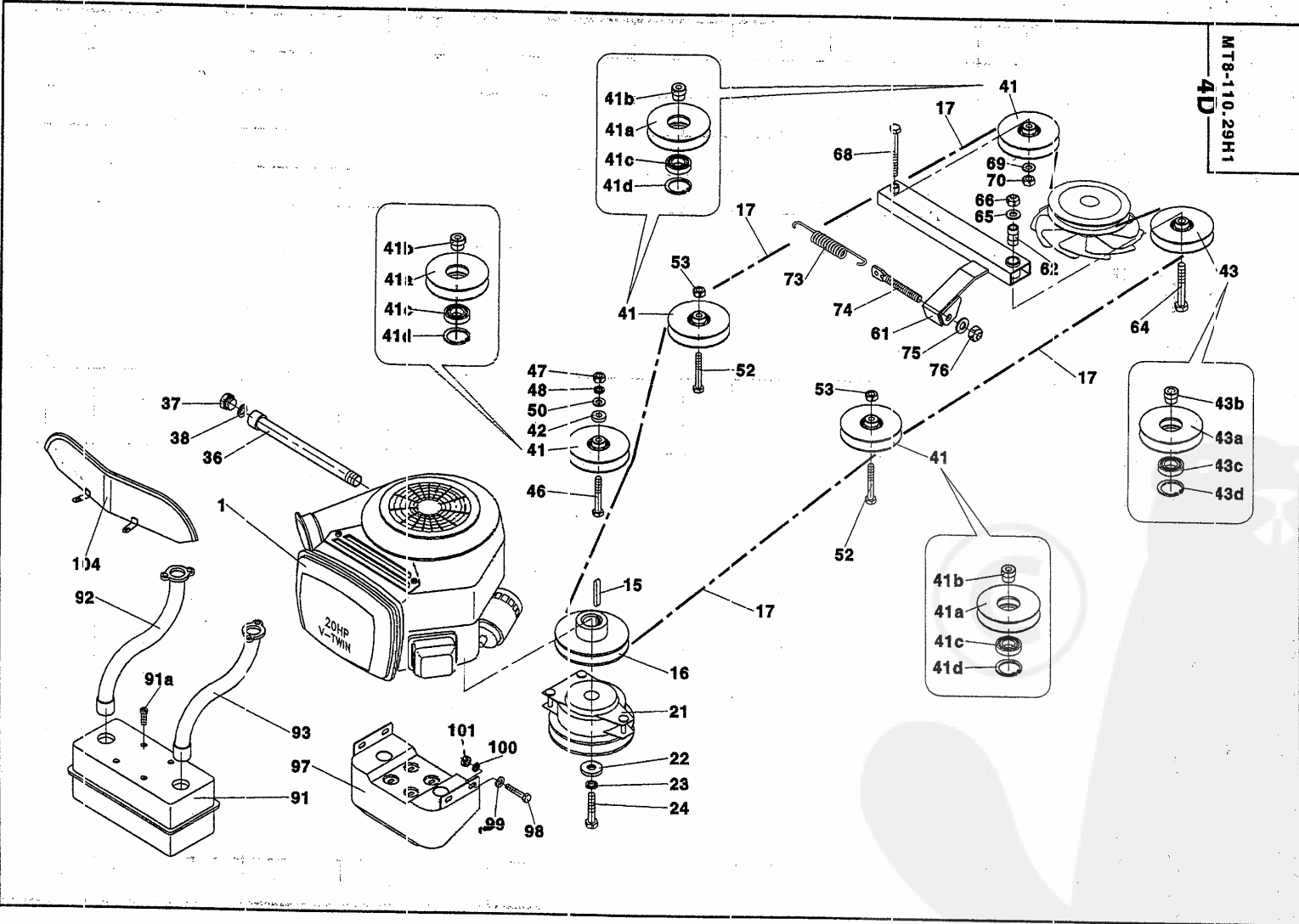
4C



| 4 Náhon pojezdu | | Buhne | | | | | MT8-110 | | | | |
|-----------------|---|-------------------------|---------|---------------|----------|----------|----------|----------|--|--|--|
| C Transmission | | Drive | | | | | | | | | |
| 1 | 2 | | 3 | 4 | 22 M1 | 25 M1 | 26 M1 | 29 H1 | | | |
| - | Náhon pojezdu Transmission | Buhne Drive | E2983 | | - | - | 1 | - | | | |
| 1 | Motor Briggs 16 HP Moteur | Motor Engine | 023 061 | | - | - | 1 | - | | | |
| 15 | Pero Hessort | Feder Feather | E3000 | | - | - | 1 | - | | | |
| 16 | Řemenice motoru Poulie | Riemencheibe Pulley | E0710 | | - | - | 1 | - | | | |
| 17 | Řemen AA128 Courroie | Riemen Belt | 022 661 | | - | - | 1 | - | | | |
| 21 | Spojka elmag. MA-GT-JD11 509 Embrayage | Kupplung Coupling | 017 570 | | - | - | 1 | - | | | |
| 22 | Podložka Rondelle | Unterlage Washer | 22 076 | | - | - | 1 | - | | | |
| 23 | Podložka 12 Rondelle | Unterlage Washer | 071 555 | ČSN 021740.05 | - | - | 1 | - | | | |
| 24 | Šroub 7/16"x2 1/2" 4-E0713 Vis | Schraube Screw | 019 154 | | - | - | 1 | - | | | |
| 36 | Trubka Tube | Rohr Tube | D3923 | | - | - | 1 | - | | | |
| 37 | Zátka M12x1.5 Bouchon | Stopfen Plug | 661 586 | ČSN 137964.1 | - | - | 1 | - | | | |
| 38 | Těsnicí kroužek 12x16x1.5 Bague | Dichtring O-ring | 088 054 | ČSN 029310.3 | - | - | 1 | - | | | |
| 41 | Kladka Galet | Rolle Roller | E0719 | | - | - | 4 | - | | | |
| 41a | Řemenice Poulie | Riemenscheibe Pulley | E0722 | | - | - | 1 | - | | | |
| 41b | Vložka Pièce d'insertion | Einlage Insert | E0723 | | - | - | 1 | - | | | |
| 41c | Ložisko 6003 A 2RS Roulement | Lager Bearing | 124 442 | ČSN 024640 | - | - | 1 | - | | | |
| 41d | Pojistný kroužek 35 Anneau | Sicher. ring Circlip | 077 973 | ČSN 022931 | - | - | 1 | - | | | |
| 42 | Distanční trubka Tube | Rohr Tube | E0712 | | - | - | 4 | - | | | |
| 43 | Kladka Galet | Rolle Roller | E2990 | | - | - | 1 | - | | | |
| 43a | Řemenice Poulie | Riemenscheibe Pulley | E0722 | | - | - | 1 | - | | | |
| 43b | Vložka Pièce d'insertion | Einlage Insert | E2991 | | - | - | 1 | - | | | |
| 43c | Ložisko 6003 A 2RS Roulement | Lager Bearing | 124 442 | ČSN 024640 | - | - | 1 | - | | | |
| 43d | Pojistný kroužek 35 Anneau | Sicher. ring Circlip | 077 973 | ČSN 022931 | | | 1 | | | | |
| 46 | Šroub M8x50 Vis | Schraube Screw | 066 660 | ČSN 021101.55 | - | - | 1 | - | | | |

| 4 Náhon pojezdu | | Buhne | | MT8-110 | | | | |
|-----------------|--|------------------------|---------|---------------|----|----|----|---|
| C Transmission | | Drive | | | | | | |
| 1 | 2 | 3 | 4 | M1 | M1 | M1 | H1 | |
| 47 | Matice M8 Écrou | Mutter Nut | 070 084 | ČSN 021401.55 | - | - | 1 | - |
| 48 | Podložka 8 Rondelle | Unterlage Washer | 276 721 | ČSN 021740.05 | - | - | 1 | - |
| 50 | Podložka 9 zink Rondelle | Unterlage Washer | 071 226 | ČSN 021729 | - | - | 6 | - |
| 52 | Šroub M8x40 Vis | Schraube Screw | 066 646 | ČSN 021101.55 | - | - | 2 | - |
| 53 | Matice M8 Écrou | Mutter Nut | 596 142 | ČSN 021492.25 | - | - | 3 | - |
| 61 | Rameno Bras | Arm Arm | E2992 | | - | - | 1 | - |
| 62 | Rozpěrka Cale | Spreitze Spacer | E2998 | | - | - | 1 | - |
| 64 | Šroub M10x70 Vis | Schraube Screw | 688 165 | ČSN 021101.55 | - | - | 1 | - |
| 65 | Podložka 10.5 Rondelle | Unterlage Washer | 070 504 | ČSN 021702.15 | - | - | 4 | - |
| 66 | Matice M10 Écrou | Mutter Nut | 596 163 | ČSN 021492.25 | - | - | 1 | - |
| 68 | Šroub M8x65 Vis | Schraube Screw | 017 626 | ČSN 021101.55 | - | - | 1 | - |
| 69 | Podložka 9 zink Rondelle | Unterlage Washer | 071 226 | ČSN 021729 | - | - | 3 | - |
| 70 | Matice M8 Ecrou | Mutter Nut | 596 142 | ČSN 021492.25 | - | - | 1 | - |
| 73 | Pružina 4-11352 zink Ressort | Feder Spring | 099 276 | | - | - | 1 | - |
| 74 | Táhlo Tige | Zugstange Draw. rod | E2989 | | - | - | 1 | - |
| 75 | Podložka 10.5 Rondelle | Unterlage Washer | 070 504 | ČSN 021702.15 | - | - | 2 | - |
| 76 | Matice M10 Écrou | Mutter Nut | 596 163 | ČSN 021492.25 | - | - | 1 | - |
| 91 | Tlumič výfuku Nelson 24500-A Silencieux | Auspufftop Silencer | 022 962 | | - | - | 1 | - |
| 91a | Šroub C6.3x16 Vis | Schraube Screw | 635 116 | ČSN 021232.05 | - | - | 4 | - |
| 92 | Trubka pravá Tube | Horr Tube | D3625 | | - | - | 1 | - |
| 93 | Trubka levá Tube | Rohr Tube | D3626 | | - | - | 1 | - |
| 97 | Kryt tlumiče Couvercle | Deckel Cover | E3400 | | - | - | 1 | - |
| 98 | Šroub M8x16 Vis | Schraube Screw | 067 284 | ČSN 021103.55 | - | - | 4 | - |
| 99 | Podložka 8.4 Rondelle | Unterlage Washer | 070 812 | ČSN 021702.15 | - | - | 4 | - |

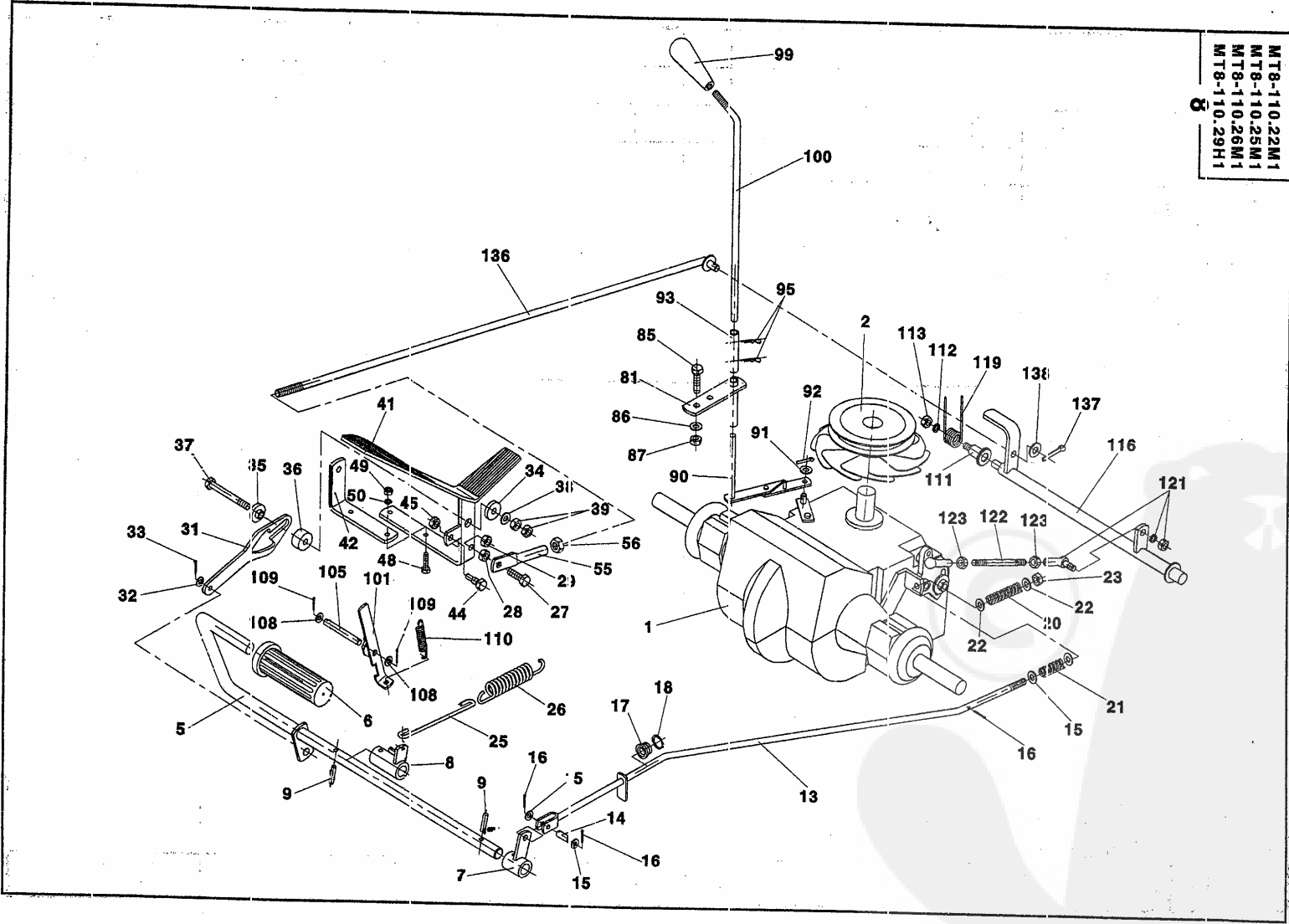
MT8-110.29H1
4D



| 4 Náhon pojezdu | | Buhne | | | | | MT8-110 | | | |
|-----------------|---|-------------------------|---------|---------------|---|----|---------|----|----|----|
| D Transmission | | Drive | | | | | | | | |
| 1 | 2 | 3 | 4 | 5 | 6 | 7 | 8 | 9 | 10 | 11 |
| | | | | | | M1 | M1 | M1 | H1 | |
| - | Náhon pojezdu Transmission | Buhne Drive | E2982 | | | - | - | - | 1 | |
| 1 | Motor Briggs 20 HP Moteur | Motor Engine | 023 082 | | | - | - | - | 1 | |
| 15 | Pero ressort | Feder Feder | E3000 | | | - | - | - | 1 | |
| 16 | Řemenice motoru Poulie | Riemencheibe Pulley | E0710 | | | - | - | - | 1 | |
| 17 | Řemen AA128 Courroie | Riemen Belt | 022 661 | | | - | - | - | 1 | |
| 21 | Spojka elmag. MA-GT-JD11 509 Embrayage | Kupplung Coupling | 017 570 | | | - | - | - | 1 | |
| 22 | Podložka Rondelle | Unterlage Washer | 22 076 | | | - | - | - | 1 | |
| 23 | Podložka 12 Rondelle | Unterlage Washer | 071 555 | ČSN 021740.05 | | - | - | - | 1 | |
| 24 | Šroub 7/16"x2 1/2" 4-E0713 Vis | Schraube Screw | 019 154 | | | - | - | - | 1 | |
| 36 | Trubka Tube | Rohr Tube | D3523 | | | | | | 1 | |
| 37 | Zátka M12x1.5 Bouchon | Stopfen Plug | 661 586 | ČSN 137964.1 | | - | - | - | 1 | |
| 38 | Těsnicí kroužek 12x16x1.5 Bague | Dichtring O-ring | 088 054 | ČSN 029310.3 | | - | - | - | 1 | |
| 41 | Kladka Galet | Rolle Roller | E0719 | | | - | - | - | 4 | |
| 41a | Řemenice Poulie | Riemenscheibe Pulley | E0722 | | | - | - | - | 1 | |
| 41b | Vložka Pièce d'insertion | Einlage Insert | E0723 | | | - | - | - | 1 | |
| 41c | Ložisko 6003 A 2RS Roulement | Lager Bearing | 124 442 | ČSN 024640 | | - | - | - | 1 | |
| 41d | Pojistný kroužek 35 Anneau | Sicher. ring Circlip | 077 973 | ČSN 022931 | | - | - | - | 1 | |
| 42 | Distanční trubka Tube | Rohr Tube | E0712 | | | - | - | - | 4 | |
| 43 | Kladka Galet | Rolle Roller | E2990 | | | - | - | - | 1 | |
| 43a | Řemenice Poulie | Riemenscheibe Pulley | E0722 | | | - | - | - | 1 | |
| 43b | Vložka Pièce d'insertion | Einlage Insert | E2991 | | | - | - | - | 1 | |
| 43c | Ložisko 6003 A 2RS Roulement | Lager Bearing | 124 442 | ČSN 024640 | | - | - | - | 1 | |
| 43d | Pojistný kroužek 35 Anneau | Sicher. ring Circlip | 077 973 | ČSN 022931 | | - | - | - | 1 | |
| 46 | Šroub M8x50 Vis | Schraube Screw | 066 660 | ČSN 021101.55 | | - | - | - | 1 | |

| 4 Náhon pojezdu | | Buhne | MT8-110 | | | | | | |
|-----------------|--|------------------------|---------|---------------|----------|----------|----------|---|--|
| D Transmission | | Drive | | | | | | | |
| 1 | 2 | 3 | 4 | 22 M1 | 25 M1 | 26 M1 | 29 H1 | | |
| 47 | Matice M8 Écrou | Mutter Nutm | 070 084 | ČSN 021401.55 | - | - | - | 1 | |
| 48 | Podložka 8 Rondelle | Unterlage Washer | 276 721 | ČSN 021740.05 | - | - | - | 1 | |
| 50 | Podložka 9 zink Rondelle | Unterlage Washer | 071 226 | ČSN 021729 | - | - | - | 6 | |
| 52 | Šroub M8x40 Vis | Schraube Screw | 066 646 | ČSN 021101.55 | - | - | - | 2 | |
| 53 | Matice M8 Écrou | Mutter Nutm | 596 142 | ČSN 021492.25 | - | - | - | 3 | |
| 61 | Rameno Bras | Arm Arm | E2992 | | - | - | - | 1 | |
| 62 | Rozpěrka Cale | Spreitze Spacer | E2998 | | - | - | - | 1 | |
| 64 | Šroub M10x70 Vis | Schraube Screw | 688 165 | ČSN 021101.55 | - | - | - | 1 | |
| 65 | Podložka 10.5 Rondelle | Unterlage Washer | 070 504 | ČSN 021702.15 | - | - | - | 4 | |
| 66 | Matice M10 Écrou | Mutter Nutm | 596 163 | ČSN 021492.25 | - | - | - | 1 | |
| 68 | Šroub M8x65 Vis | Schraube Screw | 017 626 | ČSN 021101.55 | - | - | - | 1 | |
| 69 | Podložka 9 zink Rondelle | Unterlage Washer | 071 226 | ČSN 021729 | - | - | - | 3 | |
| 70 | Matice M8 Écrou | Mutter Nutm | 596 142 | ČSN 021492.25 | - | - | - | 1 | |
| 73 | Pružina 4-11352 zink Ressort | Feder Spring | 099 276 | | - | - | - | 1 | |
| 74 | Táhlo Tige | Zugstange Draw. rod | E2989 | | - | - | - | 1 | |
| 75 | Podložka 10.5 Rondelle | Unterlage Washer | 070 504 | ČSN 021702.15 | - | - | - | 2 | |
| 76 | Matice M10 Écrou | Mutter Nutm | 596 163 | ČSN 021492.25 | - | - | - | 1 | |
| 91 | Tlumič výfuku Nelson 24500-A Silencieux | Auspufftop Silencer | 022 962 | | - | - | - | 1 | |
| 91a | Šroub C6.3x16 Vis | Schraube Screw | 635 116 | ČSN 021232.05 | - | - | - | 4 | |
| 92 | Trubka pravá Tube | Rohr Tube | D3625 | | - | - | - | 1 | |
| 93 | Trubka levá Tube | Rohr Tube | D3626 | | - | - | - | 1 | |
| 97 | Kryt tlumiče Couvercle | Deckel Cover | E3400 | | - | - | - | 1 | |
| 98 | Šroub M8x16 Vis | Schraube Screw | 067 284 | ČSN 021103.55 | - | - | - | 4 | |
| 99 | Podložka 8.4 Rondelle | Unterlage Washer | 070 812 | ČSN 021702.15 | - | - | - | 4 | |

MT8-110.22M1
MT8-110.25M1
MT8-110.26M1
MT8-110.29H1



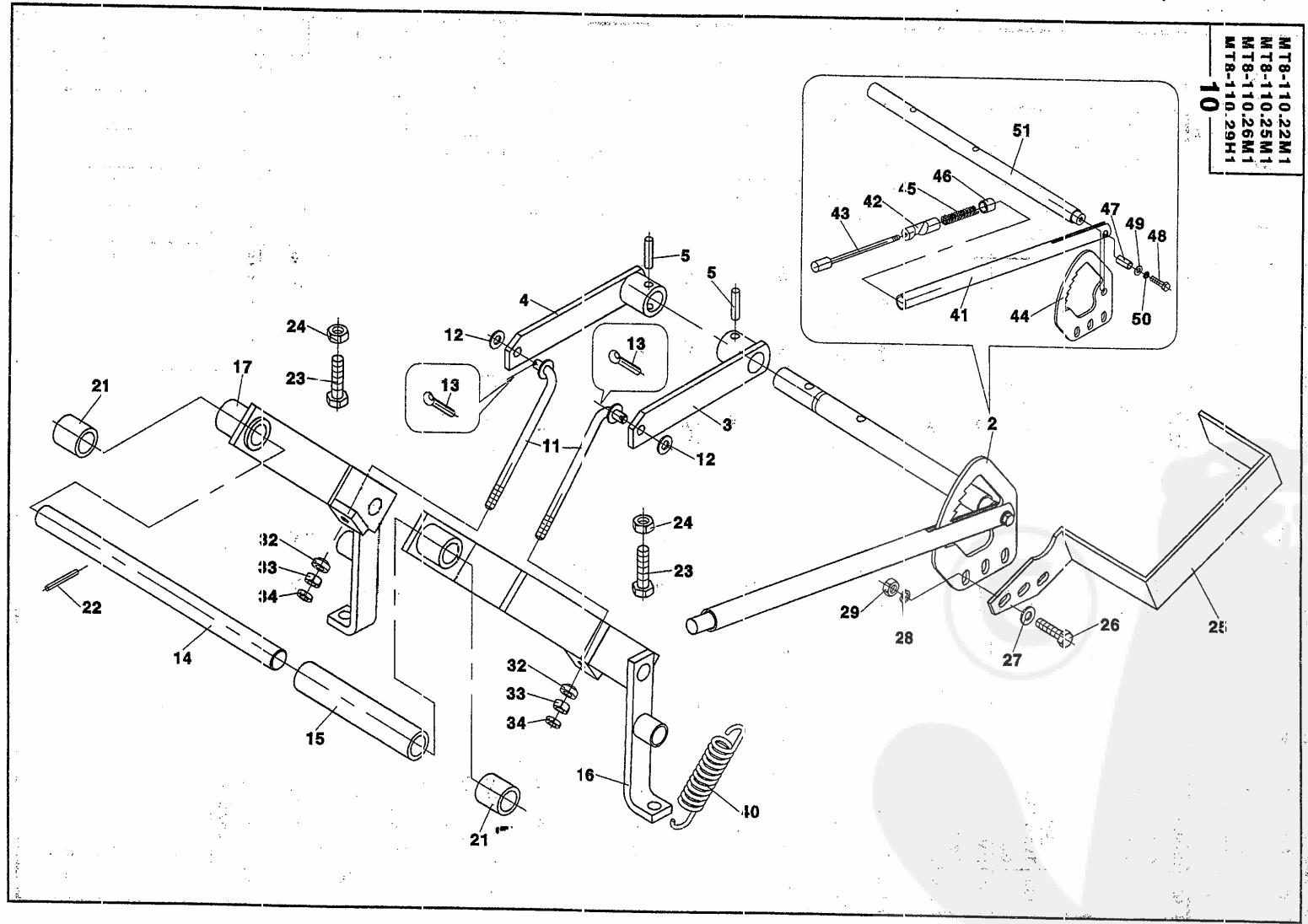
| 8 Zadní náprava | | Rear axle | | MT8-110 | | | |
|-----------------|--|-----------------------------------|---------|---------------|----------|----------|----------|
| Pont arrière | | Hinterachse | | | | | |
| 1 | 2 | 3 | 4 | 22 M1 | 23 M1 | 24 M1 | 25 H1 |
| - | Zadní náprava ovládání Pont arrière | Rear axle Hinterachse | E3300 | 1 | 1 | 1 | 1 |
| 1 | Hydro-gear IHT 319-650 Hydro-gear | Hydro-gear Hydro-gear | 019 182 | 1 | 1 | 1 | 1 |
| 2 | Ventilátor / kladka 702 403 Ventilateur / galet | Fan / rolle Windfögel / roller | 019 273 | 1 | 1 | 1 | 1 |
| 5 | Páka brzdy Levier | Lever Hebel | E0454 | 1 | 1 | 1 | 1 |
| 6 | Pedál nožní 3-D0494 Pédale | Pedal Fusshebel | 008 135 | 1 | 1 | 1 | 1 |
| 7 | Páka brzdy Levier | Lever Hebel | E0441 | 1 | 1 | 1 | 1 |
| 8 | Zarážka Boîte | Stop Anschlag | E0447 | 1 | 1 | 1 | 1 |
| 9 | Kolík 6x25 Cheville | Pin Stift | 628 336 | ČSN 022156 | 2 | 2 | 2 |
| 13 | Táhlo brzdy Tige | Draw. rod Zugstange | E0438 | 1 | 1 | 1 | 1 |
| 14 | Čep Fusée | Pin Bolzen | E0437 | 1 | 1 | 1 | 1 |
| 15 | Podložka 8.4 Rondelle | Washer U-Scheibe | 070 812 | ČSN 021702.15 | 3 | 3 | 3 |
| 16 | Závlačka 2x14 Goupille | Splint pin Splint | 509 954 | ČSN 021781.05 | 3 | 3 | 3 |
| 17 | Pouzdro Hoville | Bush Hülse | E0451 | 1 | 1 | 1 | 1 |
| 18 | Pojistný kroužek 16 Anneau de sûreté | Circlip Sicher. ring | 123 300 | ČSN 022930 | 1 | 1 | 1 |
| 20 | Pružina 2.5x15x40x10.5 zink Ressort | Spring Feder | 018 880 | ČSN 026020.0 | 1 | 1 | 1 |
| 21 | Pružina 1.25x11.25x48x13.5 zink Ressort | Spring Feder | 081 474 | ČSN 026020.0 | 1 | 1 | 1 |
| 22 | Podložka 8.4 Rondelle | Washer U-Scheibe | 070 812 | ČSN 021702.15 | 3 | 3 | 3 |
| 23 | Maticice M8 Écrou | Nut Mutter | 596 142 | ČSN 021492.25 | 1 | 1 | 1 |
| 25 | Hák Gancho | Hook Haken | E0436 | 1 | 1 | 1 | 1 |
| 26 | Pružina 4-D0154 zink Ressort | Spring Feder | 008 051 | | 1 | 1 | 1 |
| 27 | Šroub M8x30 Boulon | Screw Schraube | 589 782 | ČSN 021101.55 | 1 | 1 | 1 |
| 28 | Maticice M8 Écrou | Nut Mutter | 069 442 | ČSN 021403.25 | 1 | 1 | 1 |
| 29 | Maticice M8 Écrou | Nut Mutter | 596 142 | ČSN 021492.25 | 1 | 1 | 1 |
| 31 | Kulisa Kulise | Gate Kulisse | E0452 | 1 | 1 | 1 | 1 |

| 8 Zadní náprava Pont arrière | | Rear axle Hinterachse | | MT8-110 | | | | |
|---------------------------------|-----------------------------|--------------------------|---------|---------------|----|----|----|---|
| 1 | 2 | 3 | 4 | M1 | M1 | M1 | H1 | |
| 32 | Podložka 8.4 Rondelle | Washer U-Scheibe | 070 812 | ČSN 021702.15 | 1 | 1 | 1 | 1 |
| 33 | Závlačka 1.6x12 Goupille | Splint pin Splint | 072 543 | ČSN 021781.05 | 1 | 1 | 1 | 1 |
| 34 | Podložka Rondelle | Washer U-Scheibe | E3317 | | 1 | 1 | 1 | 1 |
| 35 | Podložka Rondelle | Washer U-Scheibe | E0475 | | 1 | 1 | 1 | 1 |
| 36 | Vložka Pièce d'insertion | Insert Einlage | E0476 | | 1 | 1 | 1 | 1 |
| 37 | Šroub M8x110 Boulon | Screw Schraube | 048 854 | ČSN 021101.55 | 1 | 1 | 1 | 1 |
| 38 | Podložka 8.4 Rondelle | Washer U-Scheibe | 070 812 | ČSN 021702.15 | 1 | 1 | 1 | 1 |
| 39 | Matice M8 Écrou | Nut Mutter | 070 084 | ČSN 021401.55 | 2 | 2 | 2 | 2 |
| 41 | Pedál pojezdu Pédale | Pedal Fusshebel | E3311 | | 1 | 1 | 1 | 1 |
| 42 | Držák Support de siège | Holder Halter | E0466 | | 1 | 1 | 1 | 1 |
| 44 | Palec Accessoir | Finger Daumen | E0478 | | 1 | 1 | 1 | 1 |
| 45 | Matice M8 Écrou | Nut Mutter | 596 142 | ČSN 021492.25 | 1 | 1 | 1 | 1 |
| 48 | Šroub M6x16 Boulon | Screw Schraube | 067 242 | ČSN 021103.55 | 2 | 2 | 2 | 2 |
| 49 | Podložka 6 Rondelle | Washer U-Scheibe | 276 700 | ČSN 021740.05 | 2 | 2 | 2 | 2 |
| 50 | Matice M6 Écrou | Nut Mutter | 590 025 | ČSN 021401.55 | 2 | 2 | 2 | 2 |
| 55 | Táhlo Tige | Draw. rod Zugstange | E3310 | | 1 | 1 | 1 | 1 |
| 56 | Matice M10 Écrou | Nut Mutter | 069 183 | ČSN 021401.25 | 1 | 1 | 1 | 1 |
| 81 | Páka Levier | Lever Hebel | E3306 | | 1 | 1 | 1 | 1 |
| 85 | Šroub M8x20 Boulon | Screw Schraube | 067 291 | ČSN 021103.55 | 2 | 2 | 2 | 2 |
| 86 | Podložka 8.4 Rondelle | Washer U-Scheibe | 070 812 | ČSN 021702.15 | 2 | 2 | 2 | 2 |
| 87 | Matice M8 Écrou | Nut Mutter | 596 142 | ČSN 021492.25 | 2 | 2 | 2 | 2 |
| 90 | Páka Levier | Lever Hebel | E0818 | | 1 | 1 | 1 | 1 |
| 91 | Podložka 6.4 Rondelle | Washer U-Scheibe | 070 805 | ČSN 021702.15 | 1 | 1 | 1 | 1 |
| 92 | Závlačka 2x12 Goupille | Splint pin Splint | 399 545 | ČSN 021781.05 | 1 | 1 | 1 | 1 |

| 8 Zadní náprava | | Rear axle | | MT8-110 | | | |
|-----------------|--|------------------------|---------|---------------|-------|-------|-------|
| Pont arrière | | Hinterachse | | | | | |
| 1 | 2 | 3 | 4 | 22 M1 | 23 M1 | 24 M1 | 25 H1 |
| 93 | Spojka Accouplement | Coupling Kupplung | E0471 | 1 | 1 | 1 | 1 |
| 95 | Pérová závlačka 4-02656 zink Goupille | Splint pin Splint | 081 852 | 2 | 2 | 2 | 2 |
| 99 | Rukojeť 4-5911-3512 Poignée | Grip Handgriff | 614 892 | 1 | 1 | 1 | 1 |
| 100 | Tyč ovládání Barre | Control Betätigung | E0821 | 1 | 1 | 1 | 1 |
| 101 | Páka Levier | Lever Hebel | E0457 | 1 | 1 | 1 | 1 |
| 105 | Čep Fusée | Pin Bolzen | E0823 | 1 | 1 | 1 | 1 |
| 108 | Podložka 8.4 Rondelle | Washer U-Scheibe | 070 812 | ČSN 021702.15 | 2 | 2 | 2 |
| 109 | Závlačka 2x14 Goupille | Splint pin Splint | 509 954 | ČSN 021781.05 | 2 | 2 | 2 |
| 110 | Pružina 1.6x14.1x56x19.75 A=5 Ressort | Spring Feder | 681 046 | ČSN 026030.0 | 1 | 1 | 1 |
| 111 | Šroub Boulon | Screw Schraube | E0931 | 1 | 1 | 1 | 1 |
| 112 | Podložka 8 Rondelle | Washer U-Scheibe | 276 721 | ČSN 021740.05 | 1 | 1 | 1 |
| 113 | Maticice M8 Écrou | Nut Mutter | 069 176 | ČSN 021401.25 | 1 | 1 | 1 |
| 116 | Hřídel Arbre | Shaft Welle | E3503 | 1 | 1 | 1 | 1 |
| 119 | Pružina pojezdu 4-E0834 Ressort | Spring Feder | 018 894 | 1 | 1 | 1 | 1 |
| 121 | Úhlový kloub A13 Joint articulé | Joint Gelenk | 580 575 | 2 | 2 | 2 | 2 |
| 122 | Táhlo Tige | Draw. rod Zugstange | E3512 | 1 | 1 | 1 | 1 |
| 123 | Maticice M8 Écrou | Nut Mutter | 069 176 | 2 | 2 | 2 | 2 |
| 136 | Táhlo Tige | Draw. rod Zugstange | E3506 | 1 | 1 | 1 | 1 |
| 137 | Závlačka 4x22 Goupille | Splint pin Splint | 072 711 | ČSN 021781.05 | 1 | 1 | 1 |
| 138 | Podložka 10.5 Rondelle | Washer U-Scheibe | 070 504 | ČSN 021702.15 | 1 | 1 | 1 |
| | | | | | | | |
| | | | | | | | |
| | | | | | | | |
| | | | | | | | |

MT8-110.22M1
MT8-110.25M1
MT8-110.26M1
MT8-110.29H1

10

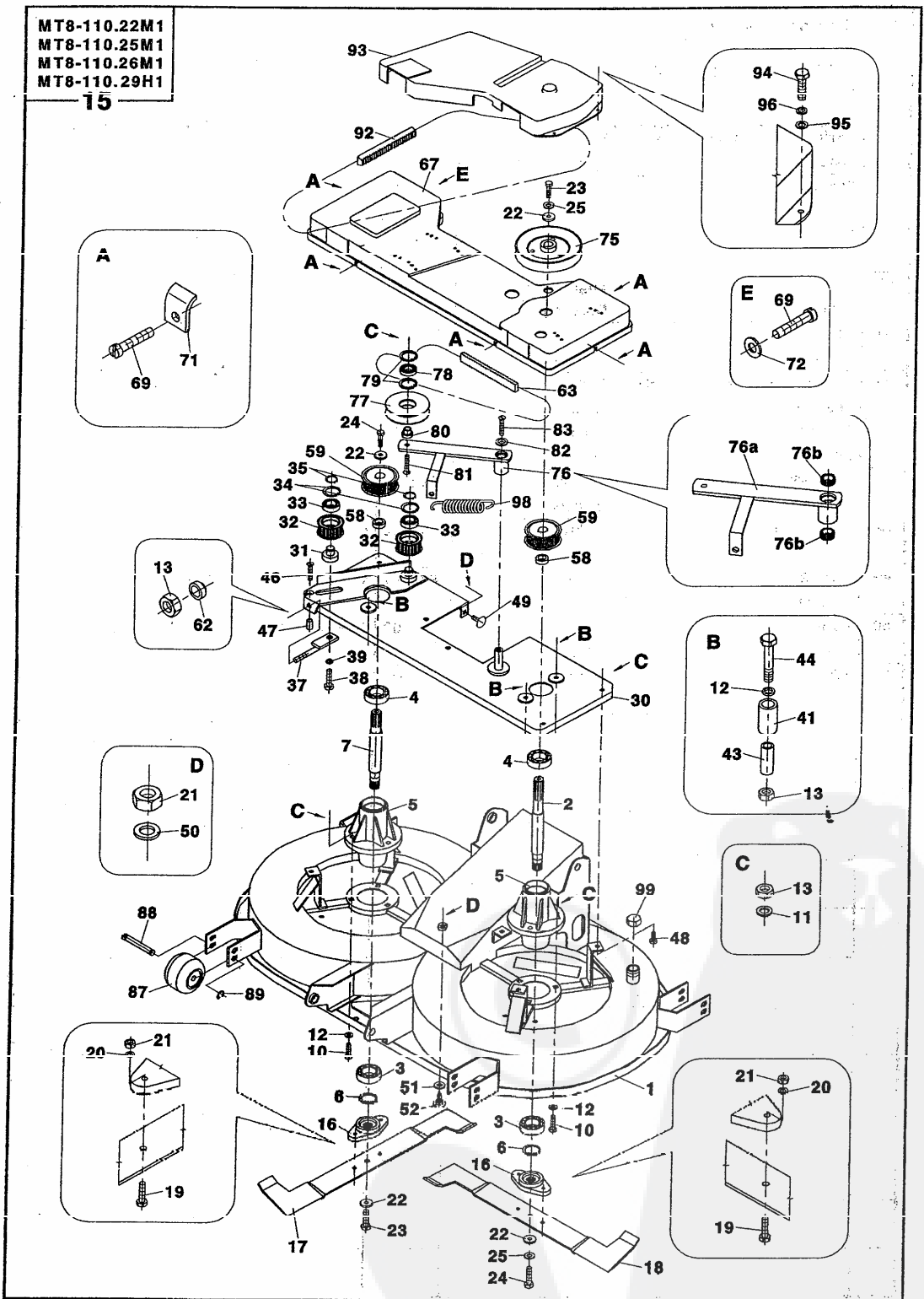


70

| 10 Zvedání sekačky Dispositif de levage | | Heben mechanismus Lifting mechanism | | MT8-110 | | | |
|--|---|--|---------|---------------|----------|----------|----------|
| 1 | 2 | 3 | 4 | 22 M1 | 25 M1 | 20 M1 | 29 H1 |
| - | Zvedání sekačky Dispositif de levage | Heben mechanism. Lifting mechanism | E2840 | 1 | 1 | 1 | 1 |
| 2 | Páka zvedání Levier | Hebel Lever | E0491 | 1 | 1 | 1 | 1 |
| 3 | Rameno levé Bras gauche | Arm Arm | E0496 | 1 | 1 | 1 | 1 |
| 4 | Rameno pravé Bras droit | Arm Arm | E0497 | 1 | 1 | 1 | 1 |
| 5 | Kolíček 8x32 Cheville | Stift Pin | 074 960 | ČSN 022156 | 2 | 2 | 2 |
| 11 | Táhlo Tige | Zugstange Drawing rod | E0503 | 2 | 2 | 2 | 2 |
| 12 | Podložka 8.4 Rondelle | Unterlage Washer | 070 812 | ČSN 021702.15 | 2 | 2 | 2 |
| 13 | Závlačka 2.5x16 Goupille | Splint Splint pin | 072 144 | ČSN 021781.00 | 2 | 2 | 2 |
| 14 | Hřídel Arbre | Welle Shaft | E0505 | 1 | 1 | 1 | 1 |
| 15 | Rozpěrka L=146 Entretoise | Spreitze Spacer | Y0190 | 1 | 1 | 1 | 1 |
| 16 | Rameno levé Bras gauche | Arm Arm | E0507 | 1 | 1 | 1 | 1 |
| 17 | Rameno pravé Bras droit | Arm Arm | E0508 | 1 | 1 | 1 | 1 |
| 21 | Rozpěrka L=28 Entretoise | Spreitze Spacer | Y0189 | 2 | 2 | 2 | 2 |
| 22 | Kolíček 5x40 Cheville | Stift Pin | 441 445 | ČSN 022156 | 1 | 1 | 1 |
| 23 | Šroub M10x25 Vis | Schraube Screw | 067 340 | ČSN 021103.55 | 2 | 2 | 2 |
| 24 | Matice M10 Écrou | Mutter Nut | 069 456 | ČSN 021403.25 | 2 | 2 | 2 |
| 25 | Držák Support | Halter Holder | E2841 | 1 | 1 | 1 | 1 |
| 26 | Šroub M8x25 Vis | Schraube Screw | 067 305 | ČSN 021103.55 | 3 | 3 | 3 |
| 27 | Podložka 8.4 Rondelle | Unterlage Washer | 070 812 | ČSN 021702.15 | 6 | 6 | 6 |
| 28 | Podložka 8 Rondelle | Unterlage Washer | 276 721 | ČSN 021740.05 | 3 | 3 | 3 |
| 29 | Matice M8 Écrou | Mutter Nut | 070 084 | ČSN 021401.55 | 3 | 3 | 3 |
| 32 | Podložka Rondelle | Unterlage Washer | D3586 | 2 | 2 | 2 | 2 |
| 33 | Matice M8 Écrou | Mutter Nut | 069 176 | ČSN 021401.25 | 2 | 2 | 2 |
| 34 | Matice M8 Écrou | Mutter Nut | 069 442 | ČSN 021403.25 | 2 | 2 | 2 |

MT8-110.22M1
 MT8-110.25M1
 MT8-110.26M1
 MT8-110.29H1

15



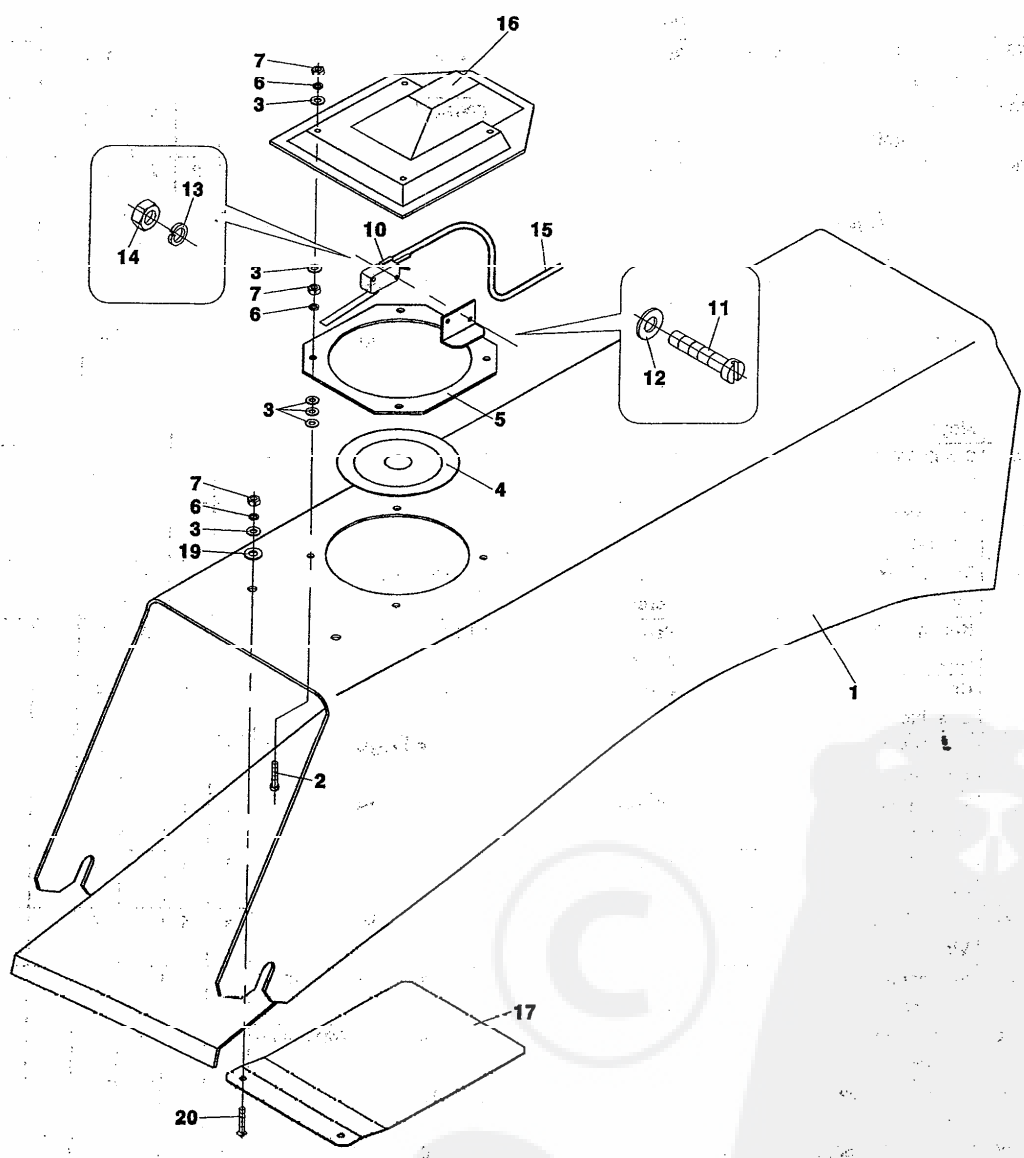
| 15 Sekačka Faucheuse rotative | | Hackener Cutter | | MT8-110 | | | |
|----------------------------------|---|---------------------------|---------|---------------|----------|----------|----------|
| 1 | 2 | 3 | 4 | 22 M1 | 23 M1 | 29 M1 | 33 H1 |
| - | Sekačka Faucheuse rotative | Hackener Cutter | E2780 | | | | |
| 1 | Kryt nožů Capot de protection | Deckel Cover | E2781 | 1 | 1 | 1 | 1 |
| 2 | Hřídel Arbre | Welle Schaft | D3189 | 1 | 1 | 1 | 1 |
| 3 | Ložisko 6204 RS Roulement | Lager Bearing | 592 806 | ČSN 024640 | 2 | 2 | 2 |
| 4 | Ložisko 6204 A 2RS Roulement | Lager Bearing | 096 473 | ČSN 024640 | 2 | 2 | 2 |
| 5 | Náboj Moyeu | Nabe Hub | D0046 | 2 | 2 | 2 | 2 |
| 6 | Pojistný kroužek 20 Bague de blocage | Sicherung ring Circlip | 077 546 | ČSN 022930 | 2 | 2 | 2 |
| 7 | Hřídel Arbre | Welle Shaft | D3188 | 1 | 1 | 1 | 1 |
| 10 | Šroub M8x30 Vis | Schraube Screw | 067 312 | ČSN 021103.55 | 6 | 6 | 6 |
| 11 | Podložka 9 zink Rondelle | Unterlage Washer | 071 220 | ČSN 021720 | 14 | 14 | 14 |
| 12 | Podložka 8.4 Rondelle | Unterlage Washer | 070 812 | ČSN 021702.15 | 9 | 9 | 9 |
| 13 | Matice M8 Écrou | Mutter Nut | 596 142 | ČSN 021492.25 | 17 | 17 | 17 |
| 16 | Unašeč Entraîneur | Mitnehmer Driver | D0087 | 2 | 2 | 2 | 2 |
| 17 | Nůž pravý Couteau droit | Messer Knife | E2785 | 1 | 1 | 1 | 1 |
| 18 | Nůž levý Couteau gauche | Messer Knife | E2784 | 1 | 1 | 1 | 1 |
| 19 | Šroub M6x25 Vis | Schraube Screw | 090 384 | ČSN 021103.55 | 4 | 4 | 4 |
| 20 | Podložka 6.4 Rondelle | Unterlage Washer | 070 805 | ČSN 021702.15 | 4 | 4 | 4 |
| 21 | Matice M6 Écrou | Mutter Nut | 596 275 | ČSN 021492.25 | 7 | 7 | 7 |
| 22 | Podložka Rondelle | Unterlage Washer | D0881 | 4 | 4 | 4 | 4 |
| 23 | Šroub M10x1x25 Vis | Schraube Screw | 016 862 | ČSN 021103.50 | 2 | 2 | 2 |
| 24 | Šroub Vis | Schraube Screw | D3220 | 2 | 2 | 2 | 2 |
| 25 | Podložka 11 zink Rondelle | Unterlage Washer | 071 233 | ČSN 021729 | 4 | 4 | 4 |
| 30 | Deska Plaque | Platte Plate | E2782 | 1 | 1 | 1 | 1 |
| 31 | Čep Cheville | Bolzen Pin | D3587 | 1 | 1 | 1 | 1 |

| 15 Sekačka Tondeuse | | Hackener Cutter | | MT8-110 | | | |
|------------------------|---|---------------------------|---------|---------------|---------|---------|---------|
| 1 | 2 | 3 | 4 | Z M1 | Z M1 | Z M1 | Z H1 |
| 32 | Kladka Z=22 Galet | Rolle Roller | D3584 | 2 | 2 | 2 | 2 |
| 33 | Ložisko 6203 2RS Roulement | Lager Bearing | 021 673 | ČSN 024640 | 2 | 2 | 2 |
| 34 | Pojistný kroužek 40 Bague de blocage | Sicherung ring Circlip | 078 016 | ČSN 022931 | 2 | 2 | 2 |
| 35 | Pojistný kroužek 17 Bague de blocage | Sicherung ring Circlip | 077 511 | ČSN 022930 | 2 | 2 | 2 |
| 37 | Napínák Tendeur | Spanner Tightener | D3585 | | 1 | 1 | 1 |
| 38 | Šroub M10x25 Vis | Schraube Screw | 067 340 | ČSN 021103.55 | 1 | 1 | 1 |
| 39 | Podložka 10 Rondelle | Unterlage Washer | 071 541 | ČSN 021740.05 | 1 | 1 | 1 |
| 41 | Pouzdro 4-D0050 Douille | Hülse Bush | 011 600 | | 3 | 3 | 3 |
| 43 | Pouzdro Douille | Hülse Bush | D0049 | | 3 | 3 | 3 |
| 44 | Šroub M8x50 Vis | Schraube Screw | 090 000 | ČSN 021101.55 | 3 | 3 | 3 |
| 46 | Šroub M8x40 Vis | Schraube Screw | 684 381 | ČSN 021151.25 | 1 | 1 | 1 |
| 47 | Rozpěrka Cale | Spreitze Spacer | D3588 | | 1 | 1 | 1 |
| 48 | Šroub M8x20 vis | Schraube Screw | 067 291 | ČSN 021103.55 | 5 | 5 | 5 |
| 49 | Šroub M6x16 zink Vis | Schraube Screw | 509 933 | ČSN 021319 | 2 | 2 | 2 |
| 50 | Podložka 6.6 zink Rondelle | Unterlage Washer | 071 212 | ČSN 021729 | 3 | 3 | 3 |
| 51 | Rozpěrka Cale | Spreitze Spacer | D0676 | | 1 | 1 | 1 |
| 52 | Šroub M6x20 zink Vis | Schraube Screw | 077 042 | ČSN 021319.00 | 1 | 1 | 1 |
| 58 | Rozpěrka Cale | Spreitze Spacer | D3199 | | 2 | 2 | 2 |
| 59 | Kladka Z=40 Galet | Rolle Roller | D3583 | | 2 | 2 | 2 |
| 62 | Podložka Rondelle | Unterlage Washer | D3586 | | 1 | 1 | 1 |
| 63 | Řemen ozubený DS8M1760 Courroie dentée | Riemen Belt | 021 750 | MITSUBOSHI | 1 | 1 | 1 |
| 67 | Kryt Couvercle | Deckel Cover | E2783 | | 1 | 1 | 1 |
| 69 | Šroub 3.9x13 Vis | Schraube Screw | 309 462 | ČSN 021232.05 | 6 | 6 | 6 |
| 71 | Podložka Rondelle | Unterlage Washer | E0672 | | 5 | 5 | 5 |

| 15 Sekačka Tondeuse | | Hackener Cutter | | MT8-110 | | | | |
|------------------------|---|---------------------------|---------|---------------|----|----|----|---|
| 1 | 2 | 3 | 4 | M1 | M1 | M1 | H1 | |
| 72 | Podložka 4.3 Rondelle | Unterlage Washer | 070 980 | ČSN 021726.15 | 1 | 1 | 1 | 1 |
| 75 | Řemenice Poulive | Riemensch. Pulley | D3236 | | 1 | 1 | 1 | 1 |
| 76 | Rameno kladky s pouzdrém Bras de galet | Arm Arm | E0673 | | 1 | 1 | 1 | 1 |
| 76a | Rameno kladky Bras de galet | Arm Arm | E0674 | | 1 | 1 | 1 | 1 |
| 76b | Pouzdro Douille | Hülse Bush | E0678 | | 2 | 2 | 2 | 2 |
| 77 | Napínací kladka Galet-tendeur | Rolle Roller | E0679 | | 1 | 1 | 1 | 1 |
| 78 | Ložisko 6202 A 2RS Roulement | Lager Bearing | 684 010 | ČSN 024640 | 1 | 1 | 1 | 1 |
| 79 | Pojistný kroužek 35 Bague de blocage | Sicherung ring Circlip | 077 973 | ČSN 022931 | 2 | 2 | 2 | 2 |
| 80 | Náboj Moyeu | Nabe Hub | E0683 | | 1 | 1 | 1 | 1 |
| 81 | Šroub M8x35 Vis | Schraube Screw | 394 360 | ČSN 021151.25 | 1 | 1 | 1 | 1 |
| 82 | Podložka Rondelle | Unterlage Washer | E0680 | | 1 | 1 | 1 | 1 |
| 83 | Šroub M8x20 Vis | Schraube Screw | 278 893 | ČSN 021151.25 | 1 | 1 | 1 | 1 |
| 87 | Kolo 4-D0963 roue | Rad Wheel | 012 441 | | 8 | 8 | 8 | 8 |
| 88 | Čep Cheville | Bolzen Pin | D0048 | | 4 | 4 | 4 | 4 |
| 89 | Kroužek 9 Anneau | Ring Ring | 643 325 | ČSN 022929.05 | 4 | 4 | 4 | 4 |
| 92 | Řemen B-1400 Li Courroie | Riemen Belt | 049 653 | ČSN 023110 | 1 | 1 | 1 | 1 |
| 93 | Kryt náhonu 3-E0682 Couvercle | Deckel Cover | 018 691 | | 1 | 1 | 1 | 1 |
| 94 | Šroub M5x16 Vis | Schraube Screw | 580 792 | ČSN 021103.15 | 4 | 4 | 4 | 4 |
| 95 | Podložka 5.3 Rondelle | Unterlage Washer | 070 476 | ČSN 021702.15 | 4 | 4 | 4 | 4 |
| 96 | Podložka 5 Rondelle | Unterlage Washer | 071 513 | ČSN 021740.05 | 4 | 4 | 4 | 4 |
| 98 | Pružina 3.15x28,15x270x72 A=8 Ressort | Feder Spring | 017 346 | | 1 | 1 | 1 | 1 |
| 99 | Matice převlečná DN13 Z=3/4" Écrou | Mutter Nut | 021 064 | | 2 | 2 | 2 | 2 |

MT8-110.22M1
MT8-110.25M1
MT8-110.26M1
MT8-110.29H1

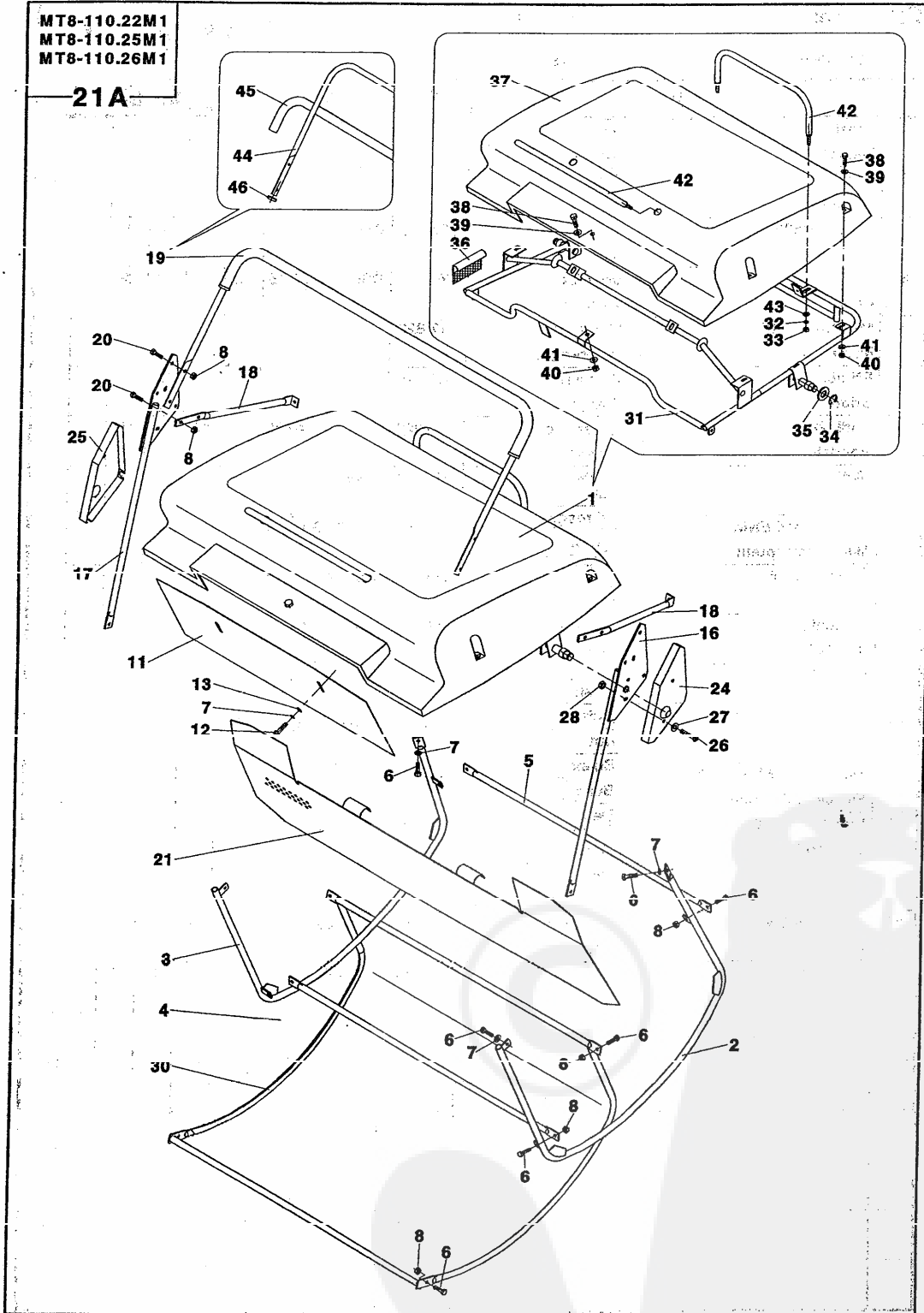
20



| 20 Tunel | | Tunnel | | MT8-110 | | | |
|----------|--|------------------------------|---------|----------------------|----------------------|----------------------|----------------------|
| Tunnel | | Tunnel | | | | | |
| 1 | 2 | 3 | 4 | Z ₁ M1 | Z ₂ M1 | Z ₃ M1 | Z ₄ H1 |
| - | Tunel Tunnel | Tunnel Tunnel | E2880 | 1 | 1 | 1 | 1 |
| 1 | Tunel Tunnel | Tunnel Tunnel | E2881 | 1 | 1 | 1 | 1 |
| 2 | Šroub M4x20 Vis | Schraube Screw | 277 016 | ČSN 021131.14 | 4 | 4 | 4 |
| 3 | Podložka 4.3 Rondelle | Unterlage Washer | 070 462 | ČSN 021702.15 | 22 | 22 | 22 |
| 4 | Membrána E0098 Membrane | Membrane Diaphragm | 017 822 | | 1 | 1 | 1 |
| 5 | Příruba Bride | Flansch Flange | E0100 | | 1 | 1 | 1 |
| 6 | Podložka 4 Rondelle | Unterlage Washer | 279 020 | ČSN 021740.05 | 10 | 10 | 10 |
| 7 | Maticice M4 Écrou | Mutter Nut | 069 141 | ČSN 021401.25 | 10 | 10 | 10 |
| 10 | Mikrospínač ENIKA Mikrointerrupteur | Mikroschalter Microswitch | E0103 | VM-05 S-03C0 | 1 | 1 | 1 |
| 11 | Šroub M3x16 Vis | Schraube Screw | 063 902 | ČSN 021131.25 | 2 | 2 | 2 |
| 12 | Podložka 3.2 Rondelle | Unterlage Washer | 310 440 | ČSN 021702.14 | 4 | 4 | 4 |
| 13 | Podložka 3 Rondelle | Unterlage Washer | 288 063 | ČSN 021740.04 | 2 | 2 | 2 |
| 14 | Maticice M3 Écrou | Mutter Nut | 069 134 | ČSN 021401.25 | 2 | 2 | 2 |
| 15 | Svazek vodičů 4-E0104 Faisceau de cond. | Buindel Bundle | 024 462 | | 1 | 1 | 1 |
| 16 | Kryt čidla 3-E0105 Couvercle | Deckel Cover | 017 864 | | 1 | 1 | 1 |
| 17 | Clona Pare | Blende Protective | E0106 | | 1 | 1 | 1 |
| 19 | Podložka 6.4 Rondelle | Unterlage Washer | 435 541 | ČSN 021702.05 | 2 | 2 | 2 |
| 20 | Šroub M4x10 Vis | Schraube Screw | 646 562 | ČSN 021151.25 | 2 | 2 | 2 |
| | | | | | | | |
| | | | | | | | |
| | | | | | | | |
| | | | | | | | |
| | | | | | | | |
| | | | | | | | |
| | | | | | | | |

MT8-110.22M1
MT8-110.25M1
MT8-110.26M1

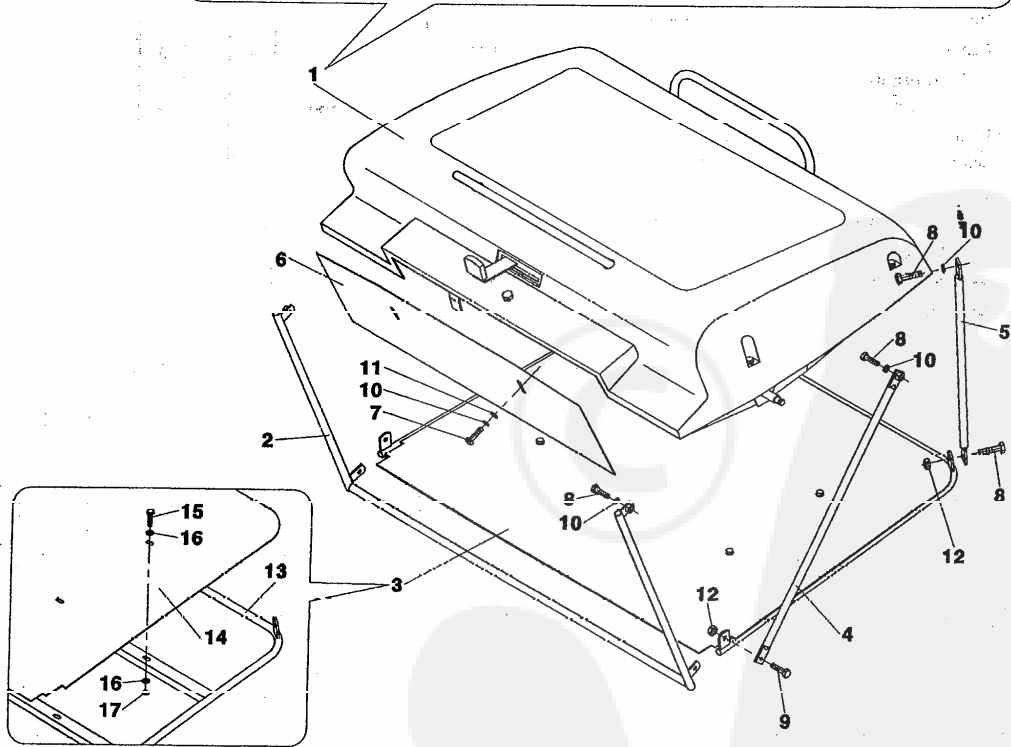
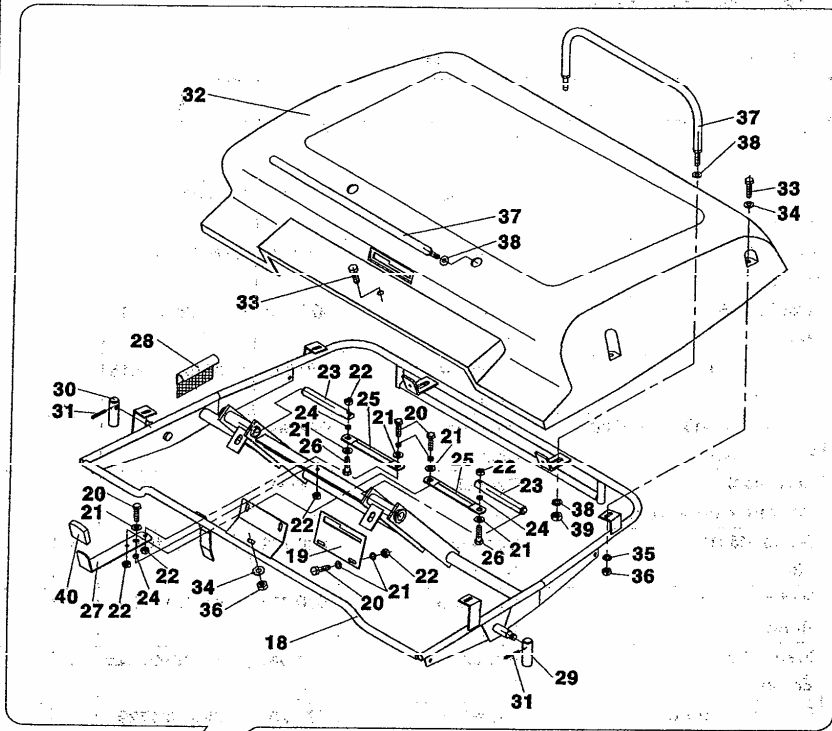
21A



| 21 Zásobník rozložený Bunker | | | MT8-110 | | | | | |
|------------------------------|---------------------------------|-------------------------|---------|---------------|----------|----------|----------|---|
| A Trémie Bunker | | | | | | | | |
| 1 | 2 | 3 | 4 | Z1 M1 | Z2 M1 | Z3 M1 | Z4 H1 | |
| - | Zásobník rozložený Trémie | Bunker Bunker | Y0230 | 1 | 1 | 1 | - | |
| 1 | Víko zásobníku Couvercle | Deckel Cover | E2714 | 1 | 1 | 1 | - | |
| 2 | Bočnice levá Tote | Seitenteil Side | E2755 | 1 | 1 | 1 | - | |
| 3 | Bočnice pravá Tote | Seitenteil Side | E2756 | 1 | 1 | 1 | - | |
| 4 | Příčka Travers | Diagonale Bar | E2750 | 1 | 1 | 1 | - | |
| 5 | Příčka Travers | Diagonale Bar | E2754 | 1 | 1 | 1 | - | |
| 6 | Šroub M6x16 Vis | Schraube Screw | 062 841 | ČSN 021103.15 | 12 | 12 | 12 | - |
| 7 | Podložka 6 Rondelle | Unterlage Washer | 276 700 | ČSN 021740.05 | 6 | 6 | 6 | - |
| 8 | Maticice M6 Écrou | Mutter Nut | 596 275 | ČSN 021492.25 | 16 | 16 | 16 | - |
| 11 | Clona Disphragme | Diende Protective | E2766 | i | i | i | - | |
| 12 | Šroub M6x10 Vis | Schraube Screw | 278 886 | ČSN 021103.25 | 2 | 2 | 2 | - |
| 13 | Podložka 6.4 Rondelle | Unterlage Washer | 070 805 | ČSN 021702.15 | 2 | 2 | 2 | - |
| 16 | Závěs levý Suspension | Gehaenger Suspension | E2735 | 1 | 1 | 1 | - | |
| 17 | Závěs pravý Suspension | Gehaenger Suspension | E2736 | 1 | 1 | 1 | - | |
| 18 | Trubka Tube | Rohr Tube | E2751 | 2 | 2 | 2 | - | |
| 19 | Madlo Manche | Griff Rail | E2733 | 1 | 1 | 1 | - | |
| 20 | Šroub M6x16 Vis | Schraube Screw | 062 841 | ČSN 021103.15 | 8 | 8 | 8 | - |
| 21 | Kryt Couvercle | Deckel Cover | E2760 | 1 | 1 | 1 | - | |
| 24 | Kryt levý 4-E2767 Couvercle | Deckel Cover | 022 696 | 1 | 1 | 1 | - | |
| 25 | Kryt pravý 4-E2768 Couvercle | Deckel Cover | 022 682 | 1 | 1 | 1 | - | |
| 26 | Šroub M5x20 Vis | Schraube Screw | 649 610 | ČSN 021151.25 | 4 | 4 | 4 | - |
| 27 | Podložka 5.3 Rondelle | Unterlage Washer | 070 476 | ČSN 021702.15 | 4 | 4 | 4 | - |
| 28 | Maticice M5 Écrou | Mutter Nut | 111 545 | ČSN 021492.25 | 4 | 4 | 4 | - |
| 30 | Dno zásobníku Corps | Boden Bottom | E2745 | 1 | 1 | 1 | - | |

| 21 Zásobník rozložený | | Bunker | | MT8-110 | | | | |
|-----------------------|--|---------------------|---------|---------------|----|----|----|----|
| A Trémie | | Bunker | | | | | | |
| 1 | 2 | | 3 | 4 | M1 | M1 | M1 | H1 |
| 31 | Rám horní Cadre | Rahmen Frame | E2715 | | 1 | 1 | 1 | - |
| 32 | Podložka 8 Rondelle | Unterlage Washer | 276 721 | ČSN 021740.05 | 4 | 4 | 4 | - |
| 33 | Matice M8 Écrou | Mutter Nut | 069 176 | ČSN 021401.25 | 4 | 4 | 4 | - |
| 34 | Kroužek 15 Bague | Ring Ring | 007 252 | ČSN 022929.05 | 2 | 2 | 2 | - |
| 35 | Podložka 19 Rondelle | Unterlage Washer | 070 546 | ČSN 021702.15 | 2 | 2 | 2 | - |
| 36 | Potah zásobníku 3-E2730 Revêtement | Überzug Coat | 022 360 | | 1 | 1 | 1 | - |
| 37 | Kryt zásobníku Couvercle de la trém | Deckel Cover | E2731 | | 1 | 1 | 1 | - |
| 38 | Šroub M5x16 Vis | Schraube Screw | 580 792 | ČSN 021103.15 | 5 | 5 | 5 | - |
| 39 | Podložka 5.3 Rondelle | Unterlage Washer | 070 476 | ČSN 021702.15 | 5 | 5 | 5 | - |
| 40 | Matice M5 Écrou | Mutter Nut | 111 545 | ČSN 021402.25 | 5 | 5 | 5 | - |
| 41 | Podložka 5.5 zink Rondelle | Unterlage Washer | 071 205 | ČSN 021729 | 5 | 5 | 5 | - |
| 42 | Oblouk Main courante | Bogen Bend | E2764 | | 2 | 2 | 2 | - |
| 43 | Podložka 8.4 Rondelle | Unterlage Washer | 070 812 | ČSN 021702.15 | 4 | 4 | 4 | - |
| 44 | Madlo Manche | Griff Rail | E2734 | | 1 | 1 | 1 | - |
| 45 | Hadice L=1160 Flexible verifier | Schlauch Hose | Y0228 | | 1 | 1 | 1 | - |
| 46 | Těsnění 2-01287 Etanchéité | Dichtung Seal | 051 192 | | 2 | 2 | 2 | - |
| | | | | | | | | |
| | | | | | | | | |
| | | | | | | | | |
| | | | | | | | | |
| | | | | | | | | |
| | | | | | | | | |
| | | | | | | | | |
| | | | | | | | | |

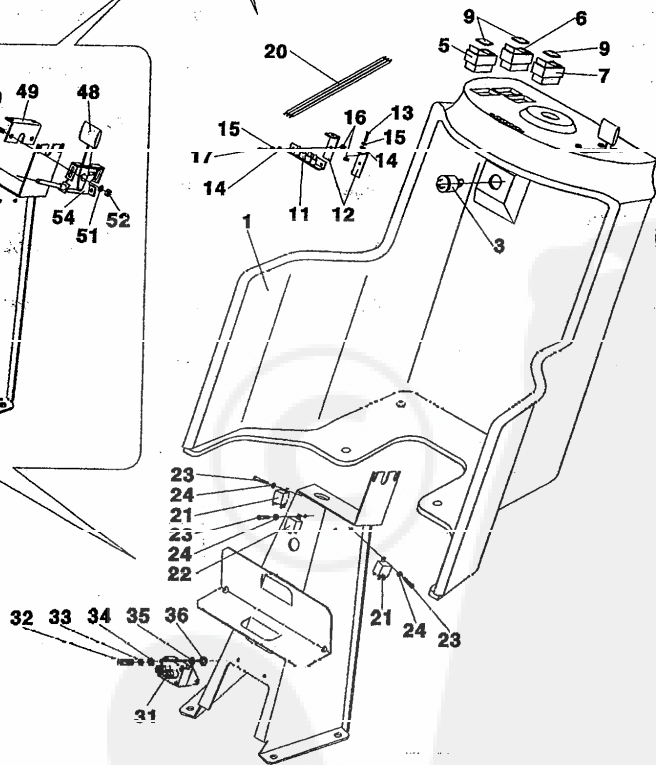
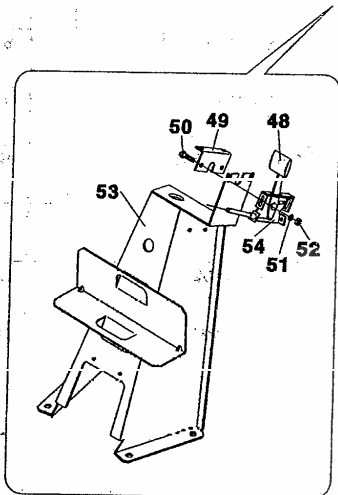
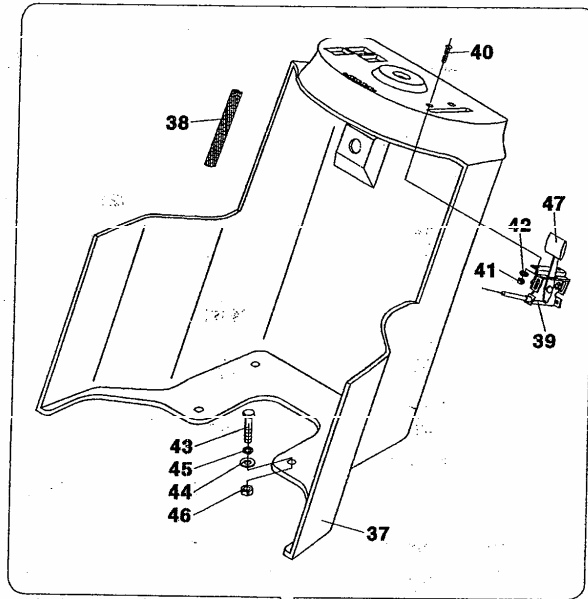
MT8-110.29H1
21B



| 21 Zásobník rozložený | | Bunker | | MT8-110 | | | |
|-----------------------|------------------------------|----------------------|---------|---------------|----|----|----|
| B Trémie | | Bunker | | | | | |
| 1 | 2 | 3 | 4 | M1 | M1 | M1 | H1 |
| - | Zásobník rozložený Trémie | Bunker Bunker | Y0238 | - | - | - | 1 |
| 1 | Víko zásobníku Couvercle | Deckel Cover | E3362 | - | - | - | 1 |
| 2 | Přední rám Cadrc | Rahmen Frame | E3382 | - | - | - | 1 |
| 3 | Rám dna Cadre | Rahmen Frame | E3384 | - | - | - | 1 |
| 4 | Vzpěra I Travers | Diagonale Bar | E3391 | - | - | - | 2 |
| 5 | Vzpěra II Travers | Diagonale Bar | E3393 | - | - | - | 2 |
| 6 | Clona Disphragme | Blende Protective | E2766 | - | - | - | 1 |
| 7 | Šroub M6x10 Vis | Schraube Screw | 278 886 | ČSN 021103.25 | - | - | 2 |
| 8 | Šroub M6x16 Vis | Schraube Screw | 067 242 | ČSN 021103.55 | - | - | 8 |
| 9 | Šroub M6x20 Vis | Schraube Screw | 431 736 | ČSN 021103.55 | - | - | 2 |
| 10 | Podložka 6 Rondelle | Unterlage Washer | 276 700 | ČSN 021740.05 | - | - | 8 |
| 11 | Podložka 6.4 Rondelle | Unterlage Washer | 070 805 | ČSN 021702.15 | - | - | 2 |
| 12 | Matice M6 Écrou | Mutter Nut | 596 275 | ČSN 021492.25 | - | - | 4 |
| 13 | Rám dna Cadre | Rahmen Frame | E3385 | - | - | - | 1 |
| 14 | Dno zásobníku Corps | Boden Bottom | E3389 | - | - | - | 1 |
| 15 | Šroub M6x16 Vis | Schraube Screw | 067 242 | ČSN 021103.55 | - | - | 4 |
| 16 | Podložka 6.4 Rondelle | Unterlage Washer | 070 805 | ČSN 021702.15 | - | - | 8 |
| 17 | Matice M6 Écrou | Mutter Nut | 596 275 | ČSN 021492.25 | - | - | 4 |
| 18 | Rám horní Cadre | Rahmen Frame | E3363 | - | - | - | 1 |
| 19 | Vezení Conduite | Leitung Line | E3374 | - | - | - | 1 |
| 20 | Šroub M6x16 Vis | Schraube Screw | 067 242 | ČSN 021103.15 | - | - | 5 |
| 21 | Podložka 6.4 Rondelle | Unterlage Washer | 435 541 | ČSN 021702.15 | - | - | 9 |
| 22 | Matice M6 Écrou | Mutter Nut | 596 275 | ČSN 021492.25 | - | - | 5 |
| 23 | Čep Tourillon | Bolzen Pin | E0631 | - | - | - | 2 |

MT8-110.22M1
MT8-110.25M1

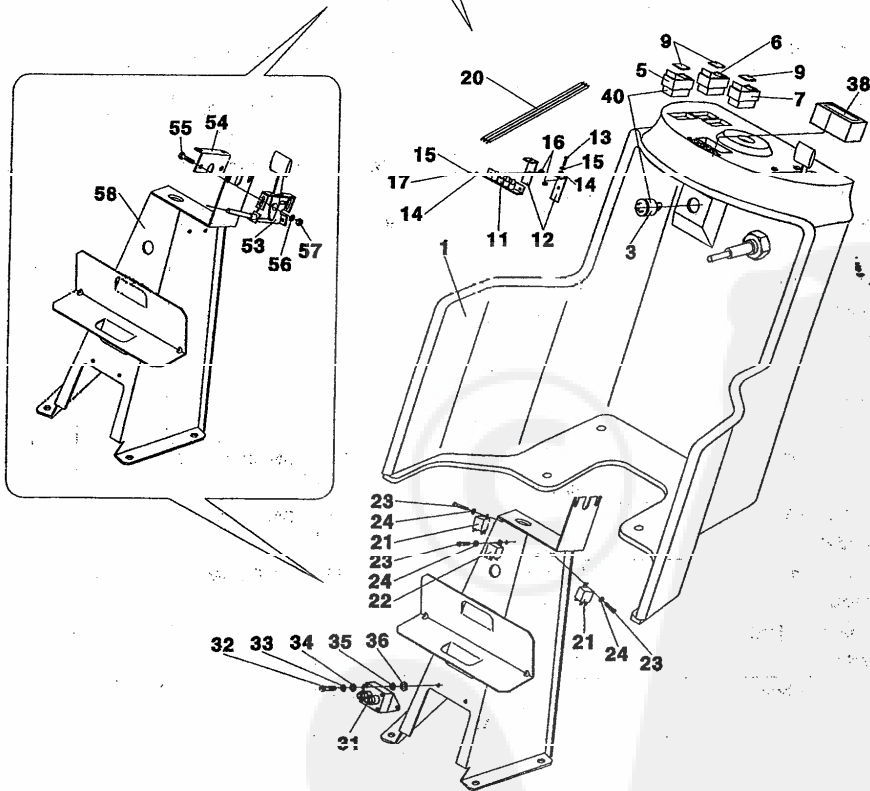
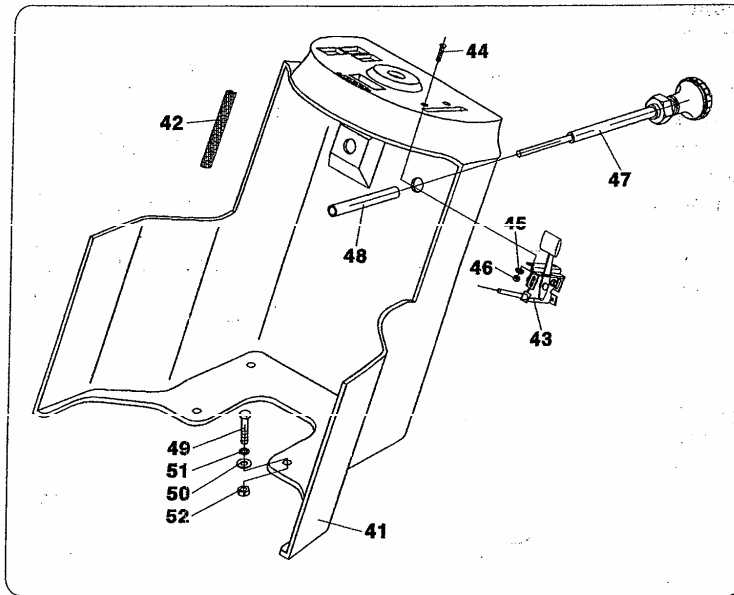
25A



| 25 Panel přístrojů | | Armaturentafel kasten | | MT8-110 | | | |
|--------------------|---|--------------------------------------|---------|---------------------|----------|----------|----------|
| A Panneau | | Instrumental panel | | | | | |
| 1 | 2 | 3 | 4 | 22 M1 | 25 M1 | 26 M1 | 29 H1 |
| - | Panel přístrojů Panneau | Armaturentafel Instrumental panel | E2824 | 1 | - | - | - |
| - | Panel přístrojů Panneau | Armaturentafel Instrumental panel | E2827 | - | 1 | - | - |
| 1 | Panel s ovládáním Panneau | Panel Panel | E3030 | 1 | - | - | - |
| 1 | Panel s ovládáním Panneau | Panel Panel | E3031 | - | 1 | - | - |
| 3 | Spínací skříňka 14.111.000 Commut. d'écl. etd' all | Schaltkasten Switch box | 007 385 | 1 | 1 | - | - |
| 5 | Spínač 16.354.100.01 Commutateur | Schalter Switch | 017 871 | 1 | 1 | - | - |
| 6 | Spínač 17.350.100.01 Commutateur | Schalter Switch | 018 110 | 1 | 1 | - | - |
| 7 | Spínač 16.350.100.01 Commutateur | Schalter Switch | 018 131 | 1 | 1 | - | - |
| 9 | Záslepka P/N 13.350.115 Bouchon | Verblendung Blinder | 021 036 | 3 | 3 | - | - |
| 11 | Deska kontrolnek E0923 Plaquette | Platte Plate | 017 983 | 1 | 1 | - | - |
| 12 | Držák Support | Halter Holder | E0938 | 2 | 2 | - | - |
| 13 | Šroub M3x10 Vis | Schraube Screw | 410 686 | ČSN 021151.24 | 2 | 2 | - |
| 14 | Podložka 3.2 Rondelle | Unterlase Washer | 310 440 | ČSN 021702.14 | 4 | 4 | - |
| 15 | Podložka 3 Rondelle | Unterlage Washer | 288 063 | ČSN 021740.04 | 4 | 4 | - |
| 16 | Maticice M3 Écrou | Mutter Nut | 310 461 | ČSN 021401.24 | 4 | 4 | - |
| 17 | Šroub M3x8 Vis | Schraube Screw | 458 721 | ČSN 021131.24 | 2 | 2 | - |
| 20 | Svazek vodičů 2 E2826 Faisceau de cond. | Buendel Bundle | 022 325 | 1 | - | - | - |
| 20 | Svazek vodičů 2 E2829 Faisceau de cond. | Buendel Bundle | 022 871 | - | 1 | - | - |
| 21 | Relé přepínací 12V 443811445141 Régulateur | Relais Relay | 012 182 | 4 | 4 | - | - |
| 22 | Relé 443811445145 Régulateur | Relais Relay | 022 332 | 1 | 1 | - | - |
| 23 | Šroub 4.8x9.5 Vis | Schraube Screw | 022 262 | ČSN 021232.05 | 5 | 5 | - |
| 24 | Podložka 5.3 Rondelle | Unterlage Washer | 071 674 | ČSN 021745.05 | 5 | 5 | - |
| 31 | Solenoid 424 285 Solénoïde | Magnetschalter Selenod | 007 630 | RAPID 12V HD 50% | 1 | 1 | - |
| 32 | Šroub M6x12 Vis | Schraube Screw | 475 700 | ČSN 021131.24 | 2 | 2 | - |

| 25 Panel přístrojů | | Armaturentafel kasten | | MT8-110 | | | | |
|--------------------|--------------------------------|-----------------------------|---------|---------------|----------|----------|----------|----------|
| A Panneau | | Instrumental panel | | | | | | |
| 1 | 2 | | 3 | 4 | 22 M1 | 25 M1 | 26 M1 | 29 H1 |
| 33 | Podložka 6.4 Rondelle | Unterlage Washer | 070 483 | ČSN 021702.14 | 2 | 2 | - | - |
| 34 | Podložka 6.4 Rondelle | Unterlage Washer | 071 681 | ČSN 021745.05 | 2 | 2 | - | - |
| 35 | Podložka 8.4 Rondelle | Unterlage Washer | 070 490 | ČSN 021702.14 | 4 | 4 | - | - |
| 36 | Podložka 8.4 Rondelle | Unterlage Washer | 071 695 | ČSN 021745.05 | 2 | 2 | - | - |
| 37 | Panel Panneau | Panel Panel | E3036 | | 1 | 1 | - | - |
| 38 | Lemovka Profil de fermeture | Einfassband Edgine | Y0234 | | 1 | 1 | - | - |
| 39 | Ovladač plynu Commande | Betätigung Flap actuator | E3040 | | 1 | - | - | - |
| 40 | Šroub M5x12 Vis | Schraube Screw | 065 056 | ČSN 021151.25 | 2 | 2 | - | - |
| 41 | Podložka 5.3 Rondelle | Unterlage Washer | 071 674 | ČSN 021745.05 | 2 | 2 | - | - |
| 42 | Maticice M5 Écrou | Mutter Nut | 069 155 | ČSN 021401.25 | 2 | 2 | - | - |
| 43 | Šroub M8x25 Vis | Schraube Screw | 067 305 | ČSN 021103.55 | 4 | 4 | - | - |
| 44 | Podložka 8.4 Rondelle | Unterlage Washer | 070 812 | ČSN 021702.15 | 8 | 8 | - | - |
| 45 | Podložka 8 Rondelle | Unterlage Washer | 076 721 | ČSN 021740.05 | 4 | 4 | - | - |
| 46 | Maticice M8 Écrou | Mutter Nut | 069 176 | ČSN 021401.25 | 4 | 4 | - | - |
| 47 | Ovladač plynu Commande | Betätigung Flap actuator | E3042 | | - | 1 | - | - |
| 48 | Ovladač plynu Commande | Betätigung Flap actuator | E3041 | | 1 | - | - | - |
| 49 | Držák Support | Halter Holder | E3026 | | 1 | 1 | - | - |
| 50 | Šroub M5x14 Vis | Schraube Screw | 681 004 | ČSN 021103.15 | 2 | 2 | - | - |
| 51 | Podložka 5 Rondelle | Unterlage Washer | 071 513 | ČSN 021740.05 | 2 | 2 | - | - |
| 52 | Maticice M5 Écrou | Mutter Nut | 069 155 | ČSN 021401.25 | 2 | 2 | - | - |
| 53 | Sloupek volantu Carter | Saeule Post | E3020 | | 1 | 1 | - | - |
| 54 | Ovladač plynu Commande | Betätigung Flap actuator | E3043 | | - | 1 | - | - |
| | | | | | | | | |
| | | | | | | | | |

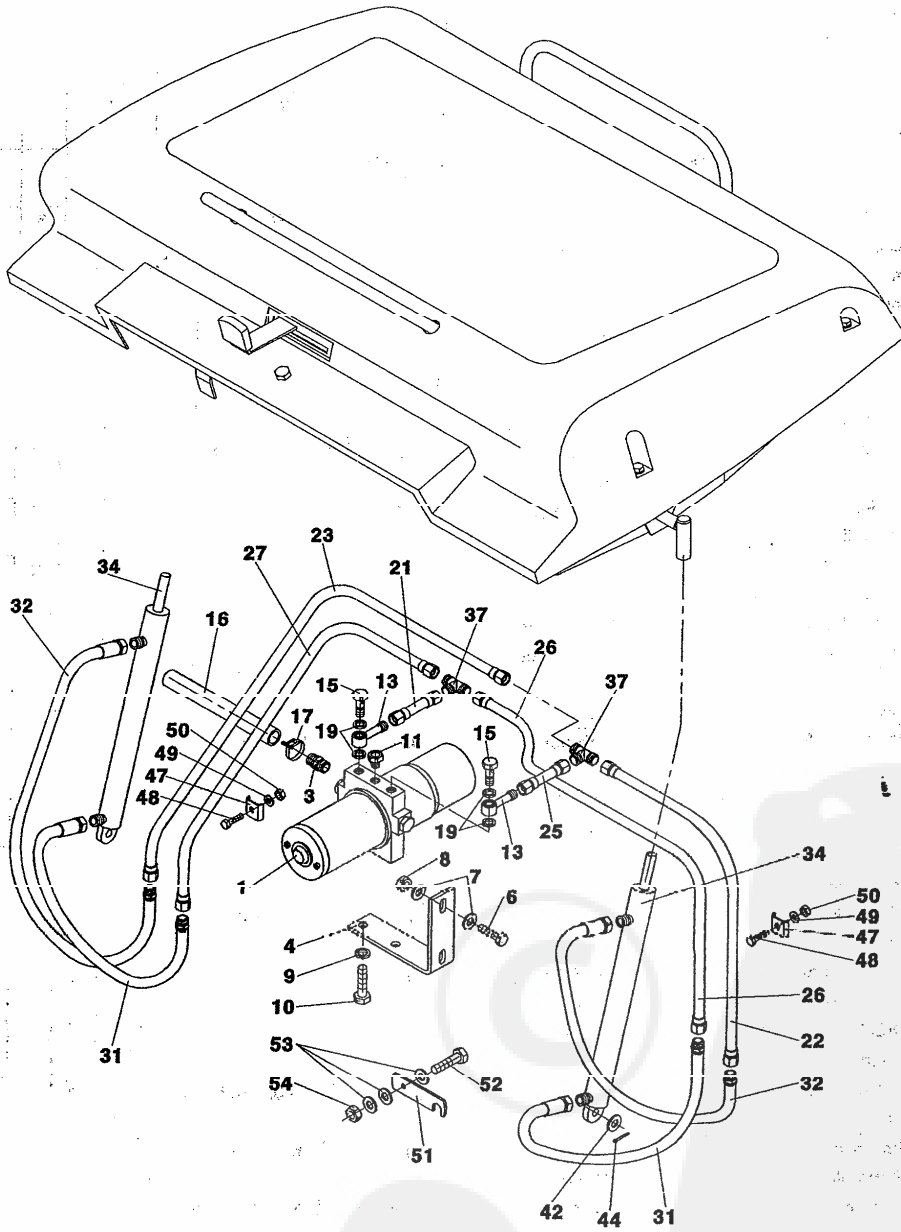
MT8-110.26M1
MT8-110.29H1
25B



| 25 Panel přístrojů | | Armaturentafel kasten | | MT8-110 | | | | |
|--------------------|---|--------------------------------------|---------|---------------------|----|----|----|---|
| B Panneau | | Instrumental panel | | | | | | |
| 1 | 2 | 3 | 4 | M1 | M1 | M1 | H1 | |
| - | Panel přístrojů Panneau | Armaturentafel Instrumental panel | E3413 | | - | - | 1 | - |
| - | Panel přístrojů Panneau | Armaturentafel Instrumental panel | E2832 | | - | - | - | 1 |
| 1 | Panel s ovládáním Panneau | Panel Panel | E3032 | | - | - | 1 | 1 |
| 3 | Spínací skříňka 14.111.000 Commut. d'écl. etd' all | Schaltkasten Switch box | 007 385 | | - | - | 1 | 1 |
| 5 | Spínač 16.354.100.01 Commutateur | Schalter Switch | 017 871 | | - | - | 1 | 1 |
| 6 | Spínač 17.350.100.01 Commutateur | Schalter Switch | 018 110 | | - | - | 1 | 1 |
| 7 | Spínač 16.350.100.01 Commutateur | Schalter Switch | 018 131 | | - | - | 1 | 1 |
| 9 | Záslepka P/N 13.350.115 Bouchon | Verblendung Blinder | 021 036 | | - | - | 3 | 3 |
| 11 | Deska kontrolky E0923 Plaque | Platte Plate | 017 983 | | - | - | 1 | 1 |
| 12 | Držák Support | Halter Holder | E0900 | | - | - | 2 | 2 |
| 13 | Šroub M3x10 Vis | Schraube Screw | 410 686 | ČSN 021151.24 | - | - | 2 | 2 |
| 14 | Podložka 3.2 Rondelle | Unterlage Washer | 310 440 | ČSN 021702.14 | - | - | 4 | 4 |
| 15 | Podložka 3 Rondelle | Unterlage Washer | 288 063 | ČSN 021740.04 | - | - | 4 | 4 |
| 16 | Matice M3 Écrou | Mutter Nut | 310 461 | ČSN 021401.24 | - | - | 4 | 4 |
| 17 | Šroub M3x8 Vis | Schraube Screw | 458 721 | ČSN 021131.24 | - | - | 2 | 2 |
| 20 | Svazek vodičů 2 E3412 Faisceau de cond. | Buendel Bundle | 023 152 | | - | - | 1 | - |
| 20 | Svazek vodičů 2 E2834 Faisceau de cond. | Buendel Bundle | 023 131 | | - | - | - | 1 |
| 21 | Relé přepínací 12V 443811445141 Régulateur | Relais Relay | 012 182 | | - | - | 4 | 4 |
| 22 | Relé 443811445145 Régulateur | Relais Relay | 022 332 | | - | - | 1 | 1 |
| 23 | Šroub 4.8x9.5 Vis | Schraube Screw | 022 262 | ČSN 021232.05 | - | - | 5 | 5 |
| 24 | Podložka 5.3 Rondelle | Unterlage Washer | 071 674 | ČSN 021745.05 | - | - | 5 | 5 |
| 31 | Solenoid 424 285 Solénoïde | Magnetschalter Selenod | 007 630 | RAPID 12V HD 50% | - | - | 1 | 1 |
| 32 | Šroub M6x12 Vis | Schraube Screw | 475 700 | ČSN 021131.24 | - | - | 2 | 2 |
| 33 | Podložka 6.4 Rondelle | Unterlage Washer | 070 483 | ČSN 021702.14 | - | - | 2 | 2 |

| 25 Panel přístrojů | | Armaturentafel kasten | | MT8-110 | | | |
|--------------------|-------------------------------------|-----------------------------|---------|---------------|----|----|-----|
| B Panneau | | Instrumental panel | | | | | |
| 1 | 2 | 3 | 4 | M1 | M1 | M1 | H1 |
| 34 | Podložka 6.4 Rondelle | Unterlage Washer | 071 681 | ČSN 021745.05 | - | - | 2 2 |
| 35 | Podložka 8.4 Rondelle | Unterlage Washer | 070 490 | ČSN 021702.14 | - | - | 4 4 |
| 36 | Podložka 8.4 Rondelle | Unterlage Washer | 071 695 | ČSN 021745.05 | - | - | 2 2 |
| 38 | Počítadlo 700DN 1224VDC Compteur | Kilometerzähler Odometer | 017 976 | CURTIS | - | - | 1 1 |
| 40 | Adapter 6.3 726308-1 Adapter | Adapter Adapter | 020 881 | AMP | - | - | 1 3 |
| 41 | Panel Panneau | Panel Panel | E3037 | | - | - | 1 1 |
| 42 | Lemovka Profil de fermeture | Einfassband Edgins | Y0234 | | - | - | 1 1 |
| 43 | Ovladač plynu Commande | Betätigung Flap actuator | E3044 | | - | - | 1 1 |
| 44 | Šroub M5x12 Vis | Schraube Screw | 065 056 | ČSN 021151.25 | - | - | 2 2 |
| 45 | Podložka 5.3 Rondelle | Unterlage Washer | 071 674 | ČSN 021745.05 | - | - | 2 2 |
| 46 | Maticе M5 Écrou | Mutter Nut | 069 155 | ČSN 021401.25 | - | - | 2 2 |
| 47 | Ovladač sytiče Commande | Betätigung Flap actuator | E3029 | | - | - | 1 1 |
| 48 | Trubička Tube | Rohr Tube | Y0415 | | - | - | - 1 |
| 49 | Šroub M8x25 Vis | Schraube Screw | 067 305 | ČSN 021103.55 | - | - | 4 4 |
| 50 | Podložka 8.4 Rondelle | Unterlage Washer | 070 812 | ČSN 021702.15 | - | - | 8 8 |
| 51 | Podložka 8 Rondelle | Unterlage Washer | 276 721 | ČSN 021740.05 | - | - | 4 4 |
| 52 | Maticе M8 Écrou | Mutter Nut | 069 176 | ČSN 021401.25 | - | - | 4 4 |
| 53 | Ovladač plynu Commande | Betätigung Flap actuator | E3045 | | - | - | 1 1 |
| 54 | Držák Support | Halter Holder | E3026 | | - | - | 1 1 |
| 55 | Šroub M5x14 Vis | Schraube Screw | 681 004 | ČSN 021103.15 | - | - | 2 2 |
| 56 | Podložka 5 Rondelle | Unterlage Washer | 071 513 | ČSN 021740.05 | - | - | 2 2 |
| 57 | Maticе M5 Écrou | Mutter Nut | 069 155 | ČSN 021401.25 | - | - | 2 2 |
| 58 | Sloupek volantů Carter | Spindel Post | E3020 | | - | - | 1 1 |

MT8-110.29H1
29

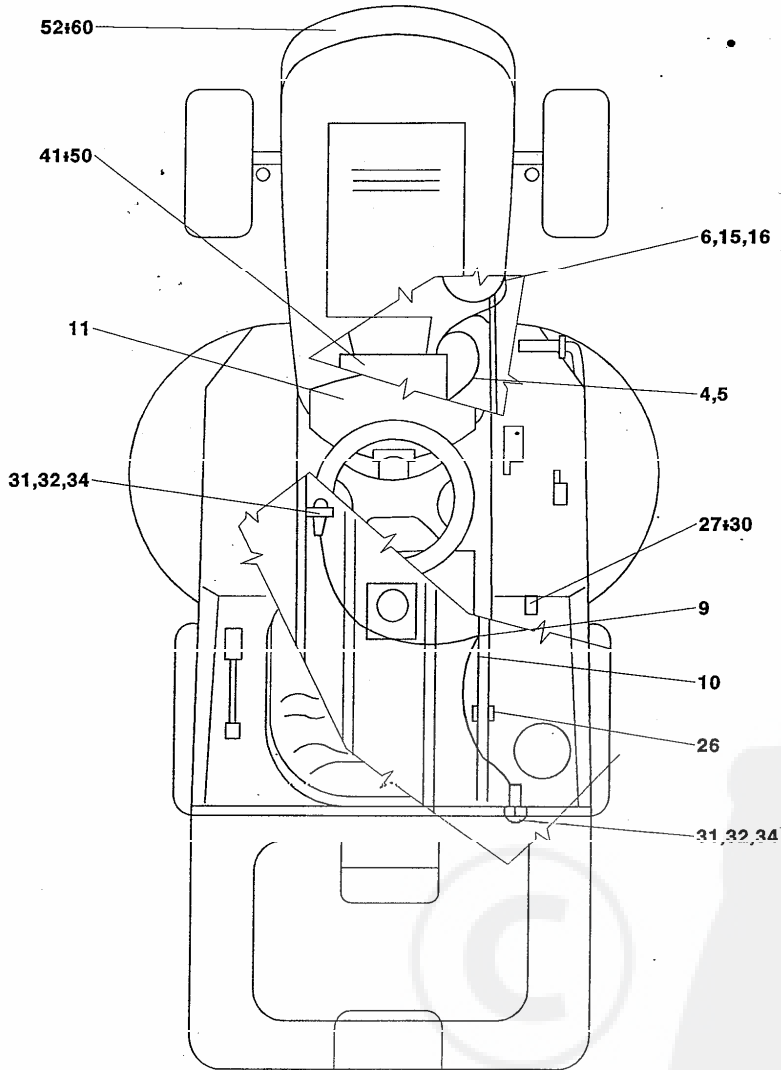


| 29 Zvedání zásobníku Dispositif de levage | | Heben mechanismus Lifting mechanism | | MT8-110 | | | |
|--|---|--|---------|---------------|----------|----------|----------|
| 1 | 2 | 3 | 4 | Z2 M1 | Z5 M1 | Z6 M3 | Z9 H1 |
| - | Zvedání zásobníku hydraulické Dispositif de levage | Hebung mech. Lifting mechanism | E3200 | - | - | - | 1 |
| 1 | Hydrojednotka 108AE 19-BL-4HT Distributeur | Verteiler Distributor | 022 801 | - | - | - | 1 |
| 3 | Hrdlo George | Stutzen Neck | E3201 | - | - | - | 1 |
| 4 | Držák hydrojednotky Support de hydro | Halter Holder | E3202 | - | - | - | 1 |
| 6 | Šroub M8x20 Vis | Schraube Screw | 067 291 | ČSN 021103.55 | - | - | 2 |
| 7 | Podložka 8.4 Rondelle | Unterlage Washer | 070 812 | ČSN 021702.15 | - | - | 4 |
| 8 | Maticice M8 Écrou | Mutter Nut | 596 142 | ČSN 021492.25 | - | - | 2 |
| 9 | Podložka 10 Rondelle | Unterlage Washer | 071 541 | ČSN 021740.05 | - | - | 2 |
| 10 | Šroub M10x16 Vis | Schraube Screw | 062 995 | ČSN 021103.15 | - | - | 2 |
| 11 | Zátka Bouchon | Stopfen Plug | E3217 | - | - | - | 1 |
| 13 | Hrdlo George | Stutzen Neck | E0867 | - | - | - | 2 |
| 15 | Šroub G1/8" Vis | Schraube Screw | E0862 | - | - | - | 2 |
| 16 | Hadice L=350 Tuyau | Schlauch Hose | Y0413 | - | - | - | 1 |
| 17 | Hadicová spona 15 Agrafe de tuyau | Schelle Clip | 081 033 | - | - | - | 1 |
| 19 | Těsnící kroužek 10x14x1 Bague | Ring Ring | 088 012 | ČSN 029310.2 | - | - | 4 |
| 21 | Potrubí K Conduite | Rohrleitung Piping | E3204 | - | - | - | 1 |
| 22 | Potrubí K 1.1 Conduite | Rohrleitung Piping | E3208 | - | - | - | 1 |
| 23 | Potrubí K 1.2 Conduite | Rohrleitung Piping | E3212 | - | - | - | 1 |
| 25 | Potrubí L Conduite | Rohrleitung Piping | E3205 | - | - | - | 1 |
| 26 | Potrubí L 1.1 Conduite | Rohrleitung Piping | E3209 | - | - | - | 1 |
| 27 | Potrubí L 1.2 Conduite | Rohrleitung Piping | E3213 | - | - | - | 1 |
| 31 | Hadice SAE 100R1AT6 E1-270 Tuyau | Schlauch Hose | 019 091 | - | - | - | 2 |
| 32 | Hadice SAE 100R1AT6 F1-470 Tuyau | Schlauch Hose | 022 843 | - | - | - | 2 |
| 34 | Hydromotor 20/12-220 Hydromoteur | Hydrogenerator Hydrogenerator | E3216 | - | - | - | 2 |

| 29 Zvedání zásobníku Dispositif de levage | | Heben mechanismus Lifting mechanism | | MT8-110 | | | | | |
|--|-----------------------------|--|--------------------------|----------|----------|----------|----------|--|--|
| 1 | 2 | 3 | 4 | 22 M1 | 25 M1 | 26 M1 | 29 H1 | | |
| 37 | Hrdlo T 6-32 zink George | Stutzen Neck | 019 070 DIN 3908 | - | - | - | 2 | | |
| 42 | Podložka 10.5 Rondelle | Unterlage Washer | 070 504 ČSN 021702.15 | - | - | - | 2 | | |
| 44 | Závlačka 3.2x18 Fusible | Sicherung Fuse | 072 634 ČSN 021781.05 | - | - | - | 2 | | |
| 47 | Přichytka Attache | Schelle Clip | E0870 | - | - | - | 2 | | |
| 48 | Šroub M6x16 Vis | Schraube Screw | 067 242 ČSN 021103.55 | - | - | - | 2 | | |
| 49 | Podložka 6.4 Rondelle | Unterlage Washer | 070 805 ČSN 021702.15 | - | - | - | 2 | | |
| 50 | Matice M6 Écrou | Mutter Nut | 596 275 ČSN 021492.25 | - | - | - | 2 | | |
| 51 | Přichytka válce Attache | Schelle Clip | E0888 | - | - | - | 2 | | |
| 52 | Šroub M6x16 Vis | Schraube Screw | 067 242 ČSN 021103.55 | - | - | - | 2 | | |
| 53 | Podložka 6.4 Rondelle | Unterlage Washer | 070 805 ČSN 021702.15 | - | - | - | 6 | | |
| 54 | Matice M6 Écrou | Mutter Nut | 596 275 ČSN 021492.25 | - | - | - | 2 | | |
| | | | | | | | | | |
| | | | | | | | | | |
| | | | | | | | | | |
| | | | | | | | | | |
| | | | | | | | | | |
| | | | | | | | | | |
| | | | | | | | | | |
| | | | | | | | | | |
| | | | | | | | | | |
| | | | | | | | | | |
| | | | | | | | | | |
| | | | | | | | | | |
| | | | | | | | | | |
| | | | | | | | | | |
| | | | | | | | | | |
| | | | | | | | | | |
| | | | | | | | | | |
| | | | | | | | | | |
| | | | | | | | | | |
| | | | | | | | | | |
| | | | | | | | | | |
| | | | | | | | | | |
| | | | | | | | | | |
| | | | | | | | | | |
| | | | | | | | | | |
| | | | | | | | | | |
| | | | | | | | | | |
| | | | | | | | | | |
| | | | | | | | | | |
| | | | | | | | | | |
| | | | | | | | | | |

MT8-110.22M1
MT8-110.25M1
MT8-110.26M1
MT8-110.29H1

30



| 30 Elektrovýzbroj Égviperment électr. | | Elektrische anlage Elekt. system | | MT8-110 | | | |
|--|---|-------------------------------------|---------|---------------|-----------|-----------|-----------|
| 1 | 2 | 3 | 4 | .22 M1 | .25 M1 | .26 M1 | .29 H1 |
| - | Elektrovýzbroj Égviperment électr. | Elektrische anlage Elekt. system | E2820 | 1 | - | - | - |
| - | Elektrovýzbroj Égviperment électr. | Elektrische anlage Elekt. system | E2830 | - | 1 | - | - |
| - | Elektrovýzbroj Égviperment électr. | Elektrische anlage Elekt. system | E3410 | - | - | 1 | - |
| - | Elektrovýzbroj Égviperment électr. | Elektrische anlage Elekt. system | E2835 | - | - | - | 1 |
| 4 | Vodič 1 E2821 L=500mm Conducteur | Leiter El. conductor | 024 434 | 1 | 1 | 1 | 1 |
| 5 | Vodič 2 E2822 L=400mm Conducteur | Leiter El. conductor | 024 441 | 1 | 1 | 1 | 1 |
| 6 | Vodič 3 E2823 L=400mm Conducteur | Leiter El. conductor | 024 455 | 1 | 1 | 1 | 1 |
| 9 | Hadice spirálová L=100 Flexible | Schlauch Hose | 92 409 | 2 | 2 | 2 | 2 |
| 10 | Svazek vodičů 1 E2825 Faisceau de cond. | Buendel Bundle | 022 304 | 1 | - | - | - |
| 10 | Svazek vodičů 1 E2828 Faisceau de cond. | Buendel Bundle | 022 885 | - | 1 | - | - |
| 10 | Svazek vodičů 1 E3411 Faisceau de cond. | Buendel Bundle | 023 145 | - | - | 1 | - |
| 10 | Svazek vodičů 1 E2833 Faisceau de cond. | Buendel Bundle | 023 124 | - | - | - | 1 |
| 11 | Panel přístrojů Panneau | Armat. kasten Instr. panel | E2824 | 1 | - | - | - |
| 11 | Panel přístrojů Panneau | Armat. kasten Instr. panel | E2827 | - | 1 | - | - |
| 11 | Panel přístrojů Panneau | Armat. kasten Instr. panel | E3413 | - | - | 1 | - |
| 11 | Panel přístrojů Panneau | Armat. kasten Instr. panel | E2832 | - | - | - | 1 |
| 15 | Matice 8-32 zink Écrou | Mutter Nut | 014 501 | 1 | 1 | - | - |
| 16 | Podložka 6.4 Rondelle | Unterlage Washer | 071 681 | ČSN 021745.05 | 1 | 1 | 1 |
| 19 | Vidlice 2-pólová 1-780319-0 Fourche | Gabel Fork | 017 843 | 1 | 1 | 1 | 1 |
| 20 | Kolík 2mm 163307-4 Cheville | Stift Pin | 018 026 | 2 | 2 | 2 | 2 |
| 23 | Pojistka velkoplošná 15A Fusible | Sicherung Fuse | 017 920 | 1 | 1 | 1 | 1 |
| 24 | Trubička L=18 4x0,5 PVC Tube | Rohr Tube | Y0232 | 2 | 2 | 2 | 2 |
| 26 | Průchodka 11x2 Isolateur de traversiores | Durchfuehr. Bushing | 052 446 | ČSN 63 3881.1 | - | - | 1 |
| 27 | Spínač VLD1S 00BA ZB00 Interrupteur | Schalter Switch | 023 096 | - | - | - | 1 |

| 30 Elektrovýzbroj | | Elektrische anlage | | MT8-110 | | | |
|--------------------|--|--------------------------|---------|---------------|-----------|-----------|-----------|
| Égviperment élect. | | Elekt. system | | | | | |
| 1 | 2 | 3 | 4 | .22 M1 | .25 M1 | .26 M1 | .29 H1 |
| 28 | Propoje spínače E2836 L=80mm Conduite | Leitung Line | 024 476 | - | - | - | 1 |
| 29 | Krytka E 6.3 926539-1 Chapcau | Deckel Cover | 003 216 | - | - | - | 2 |
| 30 | Adapter 6.3 726308-1 Adapter | Adapter Adapter | 020 881 | - | - | - | 2 |
| 31 | Spínač 443854202000 Interrupteur | Schalter Switch | 656 670 | 2 | 2 | 2 | 2 |
| 32 | Krytka pryžová D0911 Chapcau | Deckel Cover | 012 161 | 2 | 2 | 2 | 2 |
| 33 | Matice Écrou | Mutter Nut | D0642 | 2 | 2 | 2 | 2 |
| 37 | Pásek stahovací 100x2,5 Bande | Band Band | 017 941 | 5 | 5 | 5 | 5 |
| 38 | Pásek 200x3,6 Bande | Band Band | 007 644 | 5 | 5 | 5 | 5 |
| 39 | Pásek s příchytkou Bande | Band Band | 017 962 | 2 | 2 | 2 | 2 |
| 41 | Akumulátor HITECH 7AR Accumulateur | Akku Accumulator | 002 375 | 1 | 1 | 1 | 1 |
| 42 | Šroub M6x20 Vis | Schraube Screw | 308 992 | ČSN 021103.15 | 2 | 2 | 2 |
| 43 | Podložka 6.4 Rondelle | Unterlage Washer | 070 483 | ČSN 021702.14 | 2 | 2 | 2 |
| 44 | Podložka 6 Rondelle | Unterlage Washer | 071 520 | ČSN 021740.04 | 2 | 2 | 2 |
| 45 | Matice M6 Écrou | Mutter Nut | 276 875 | ČSN 021401.24 | 2 | 2 | 2 |
| 47 | Příchytka Agrafe | Schelle Clip | E3025 | 1 | 1 | 1 | 1 |
| 48 | Táhlo Tige | Zugstange Grawing rod | E3024 | 2 | 2 | 2 | 2 |
| 49 | Podložka 6.4 Rondelle | Unterlage Washer | 070 805 | ČSN 021702.15 | 2 | 2 | 2 |
| 50 | Matice M6 Écrou | Mutter Nut | 069 162 | ČSN 021401.25 | 2 | 2 | 2 |
| 52 | Uzávěr objímky 8101.339 Fermet. de machon | Verschluss Closure | 647 081 | - | 2 | 2 | 2 |
| 53 | Žárovka 12V 5W BA15S Lampe | Gluehlampe Lamp | 310 181 | - | 2 | 2 | 2 |
| 54 | Svazek světla 3-E2831 Faisceau de cond. | Buendel Bundle | 022 892 | - | 1 | 1 | 1 |
| 55 | Pásek s příchytkou Bande | Band Band | 017 962 | - | 1 | 1 | 1 |
| 56 | Příchytka 05-5 Agrafe | Schelle Clip | 008 331 | - | 2 | 2 | 2 |
| 57 | Šroub M4x12 Vis | Schraube Screw | 064 005 | ČSN 021131.25 | - | 2 | 2 |

| 30 Elektrovýzbroj Égviperment électr. | | Elektrische anlage Elekt. system | | MT8-110 | | | | |
|--|--------------------------|-------------------------------------|---------|---------------|----------|----------|----------|----------|
| 1 | 2 | | 3 | 4 | 22 M1 | 25 M1 | 26 M1 | 29 H1 |
| 58 | Podložka 4.3 Rondelle | Unterlage Washer | 070 462 | ČSN 021702.15 | - | 2 | 2 | 2 |
| 59 | Podložka 4.3 Rondelle | Unterlage Washer | 297 253 | ČSN 021745.05 | - | 2 | 2 | 2 |
| 60 | Matice M4 Écrou | Mutter Nui | 069 141 | ČSN 021401.25 | - | 2 | 2 | 2 |
| | | | | | | | | |
| | | | | | | | | |
| | | | | | | | | |
| | | | | | | | | |
| | | | | | | | | |
| | | | | | | | | |
| | | | | | | | | |
| | | | | | | | | |
| | | | | | | | | |
| | | | | | | | | |
| | | | | | | | | |
| | | | | | | | | |
| | | | | | | | | |
| | | | | | | | | |
| | | | | | | | | |
| | | | | | | | | |
| | | | | | | | | |
| | | | | | | | | |