

**Balkenmäher - Motofalciatrice
Scythe mower - Motofaucheuse**

BM550 BM755 M220

**Mehrzweckgerät - Motocoltivatore
Motor-cultivator - Motoculteur**

P55 P55V

TAV. 1 SCATOLA - ORGANI DI TRASMISSIONE - CAMBIO - RUOTE
TAV. 2 STEGOLE - FRESA
TAV. 3 BARRA FALCIANTE cm.87

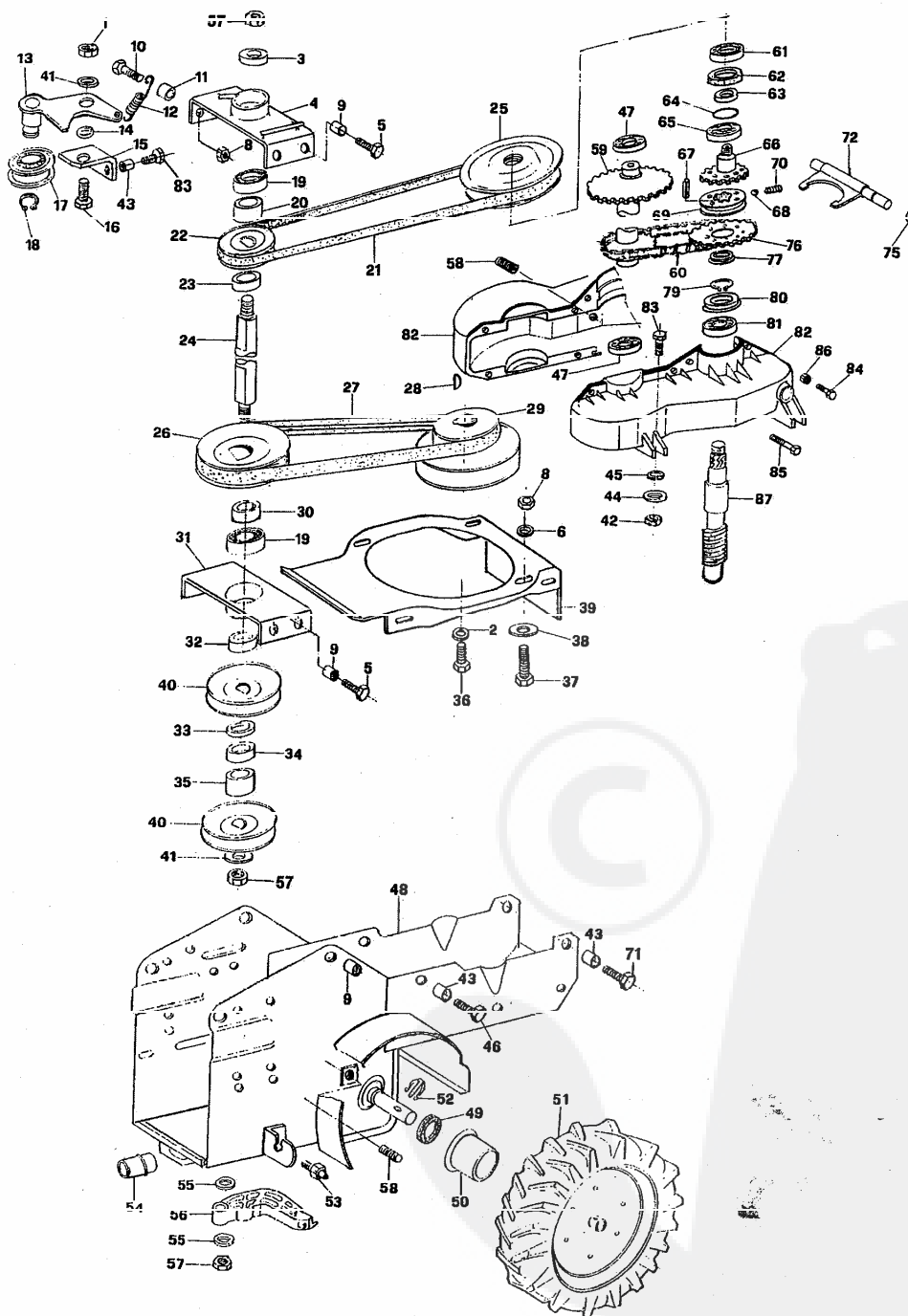



eurosystems

Via G. Pastore, 8 - Zona Industriale - 42048 LUZZANA - Reggio Emilia - Italy
Tel. 0522/977169 - Fax 0522/977819 - C.F. e P.IVA 00270140353
Com.Estero n. RE 012505 - CCIA 122382 - Reg.Trib. RE n. 6092
Capitale Sociale Euro 846.434 i.v. - www.eurosystems-spa.com

TAVOLA 1

| | | | | | | | | | |
|---|-------------|----|-------------|----|-------------|----|-------------|----|--------------------------|
| 1 | 81.4642.000 | 10 | 86.2685.000 | 18 | 80.1102.000 | 26 | 26.1005.203 | 34 | 26.0005.231 |
| 2 | 84.3755.000 | 11 | 27.0005.199 | 19 | 81.2586.000 | 27 | 32.1005.195 | 35 | 32.1005.217 |
| 3 | 26.0005.232 | 12 | 23.1005.903 | 20 | 32.1005.217 | 28 | 26.0050.202 | 36 | 26.0050.201 |
| 4 | 32.1005.410 | 13 | 32.1005.400 | 21 | 32.1005.194 | 29 | 32.1025.100 | 37 | 86.2741.000 |
| 5 | 86.2494.000 | 14 | 26.0005.230 | 22 | 32.1005.417 | 30 | 32.1005.213 | 38 | 84.3708.000 |
| 6 | 84.3685.000 | 15 | 32.1005.408 | 23 | 26.1005.102 | 31 | 26.3005.135 | 39 | 32.1005.120 (BM550-P55) |
| 8 | 81.4588.000 | 16 | 86.3254.000 | 24 | 32.1005.415 | 32 | 23.1005.256 | - | 32.1005.121 (BM755-P55V) |
| 9 | 26.0050.200 | 17 | 26.0005.906 | 25 | 32.1005.420 | 33 | 26.1005.116 | - | 32.1005.123 (M220) |



| | |
|----|--------------------------|
| 40 | 26.0005.220 |
| 41 | 84.3818.000 |
| 42 | 81.4545.000 |
| 43 | 80.8990.000 |
| 44 | 84.3619.000 |
| 45 | 84.3570.000 |
| 46 | 86.1998.500 |
| 47 | 81.2572.000 |
| 48 | 32.1005.080 (BM550-P55) |
| - | 32.1005.078 (BM755-P55V) |
| - | 32.1005.079 (M220) |
| 49 | 80.2060.000 |
| 50 | 30.0005.115 |
| 51 | 32.1015.214 DX |
| - | 32.1015.215 SX |
| - | 32.1015.250 DX PNEUM. |
| - | 32.1015.251 SX PNEUM. |
| 52 | 26.1010.221 |
| 53 | 82.6016.000 |
| 54 | 26.1005.901 |
| 55 | 84.3812.000 |
| 56 | 26.1005.920 |
| 57 | 81.4645.000 |
| 58 | 85.2520.000 |
| 59 | 32.1005.318 |
| 60 | 32.1005.322 |
| 61 | 81.2632.000 |
| 62 | 80.2122.000 |
| 63 | 32.1005.312 |
| 64 | 80.3051.000 |
| 65 | 81.2694.000 |
| 66 | 32.1005.314 |
| 67 | 85.1105.000 |
| 68 | 84.7412.000 |
| 69 | 32.1005.315 |
| 70 | 23.0005.906 |
| 71 | 86.2120.000 |
| 72 | 32.1005.345 |
| 75 | 80.3056.000 |
| 76 | 32.1005.317 |
| 77 | 32.1005.320 |
| 79 | 80.1105.000 |
| 80 | 32.1005.306 |
| 81 | 81.2577.000 |
| 82 | 32.1005.300 DX |
| - | 32.1005.302 SX |
| 83 | 86.2160.000 |
| 84 | 86.1935.000 |
| 85 | 86.1942.000 |
| 86 | 81.4530.080 |
| 87 | 32.1005.316 |

TAVOLA 2

| | | | | | | | | | |
|----|-------------|----|----------------|----|---------------|----|--------------------------|----|-------------|
| 1 | 81.4588.000 | 18 | 32.3005.126 | 34 | 86.2356.200 | 54 | 83.7528.000 | 67 | 32.1010.910 |
| 2 | 84.3708.000 | 19 | 81.4548.000 | 36 | 32.1010.920 | 55 | 32.1010.332 | 69 | 85.1350.000 |
| 3 | 86.2555.000 | 20 | 32.3005.050 | - | 32.1010.930 ○ | - | 23.1020.227 (○ -Vant.50) | 70 | 85.1236.000 |
| 4 | 26.1005.906 | 21 | 80.2060.000 | 38 | 86.2881.000 | 56 | 32.1010.145 (BM550-P55) | 71 | 32.1010.226 |
| 5 | 32.3005.200 | 22 | 32.3005.119 | 39 | 36.0010.130 | - | 32.1010.146 (BM755-P55V) | 72 | 32.1005.335 |
| 6 | 32.3005.152 | 23 | 84.3685.000 | 41 | 26.1010.302 | - | 32.1010.147 (M220) | 73 | 85.1262.000 |
| 7 | 30.0005.244 | 24 | 86.2670.000 | 42 | 26.0010.216 | 57 | 23.1010.224 | 74 | 32.1010.224 |
| 8 | 32.3005.230 | 25 | 84.3605.010 | 43 | 23.1050.906 | 58 | 22.0050.900 | 75 | 26.1010.210 |
| 9 | 81.1050.160 | 26 | 86.2097.010 | 44 | 81.4530.080 | 59 | 23.1010.223 | 76 | 32.1010.200 |
| 10 | 32.3005.302 | 27 | 32.3015.100 | 45 | 26.0050.258 | 60 | 80.3050.000 | 77 | 26.1010.305 |
| 11 | 80.3289.000 | 28 | 86.2741.000 | 46 | 32.1010.300 | 61 | 80.1039.000 | 78 | 26.1010.304 |
| 12 | 32.3005.130 | 29 | 32.3015.051 SX | 47 | 32.1010.316 | 62 | 23.1010.219 | | |
| 13 | 36.0005.220 | - | 32.3015.052 DX | 48 | 23.1010.209 | 64 | 23.1005.906 | | |
| 14 | 82.8468.000 | 30 | 86.2685.000 | 49 | 32.1010.173 | 65 | 32.1005.352 (BM550-P55) | | |
| 15 | 32.3005.122 | 31 | 86.2494.000 | 50 | 26.0050.200 | - | 32.1005.353 (BM755-P55V) | | |
| 16 | 86.2314.050 | 32 | 30.0015.060 DX | 51 | 86.3051.010 | - | 32.1005.354 (M220) | | |
| 17 | 32.3005.124 | - | 30.0015.061 SX | 52 | 22.0010.909 | 66 | 32.1010.220 | | |

○ HONDA

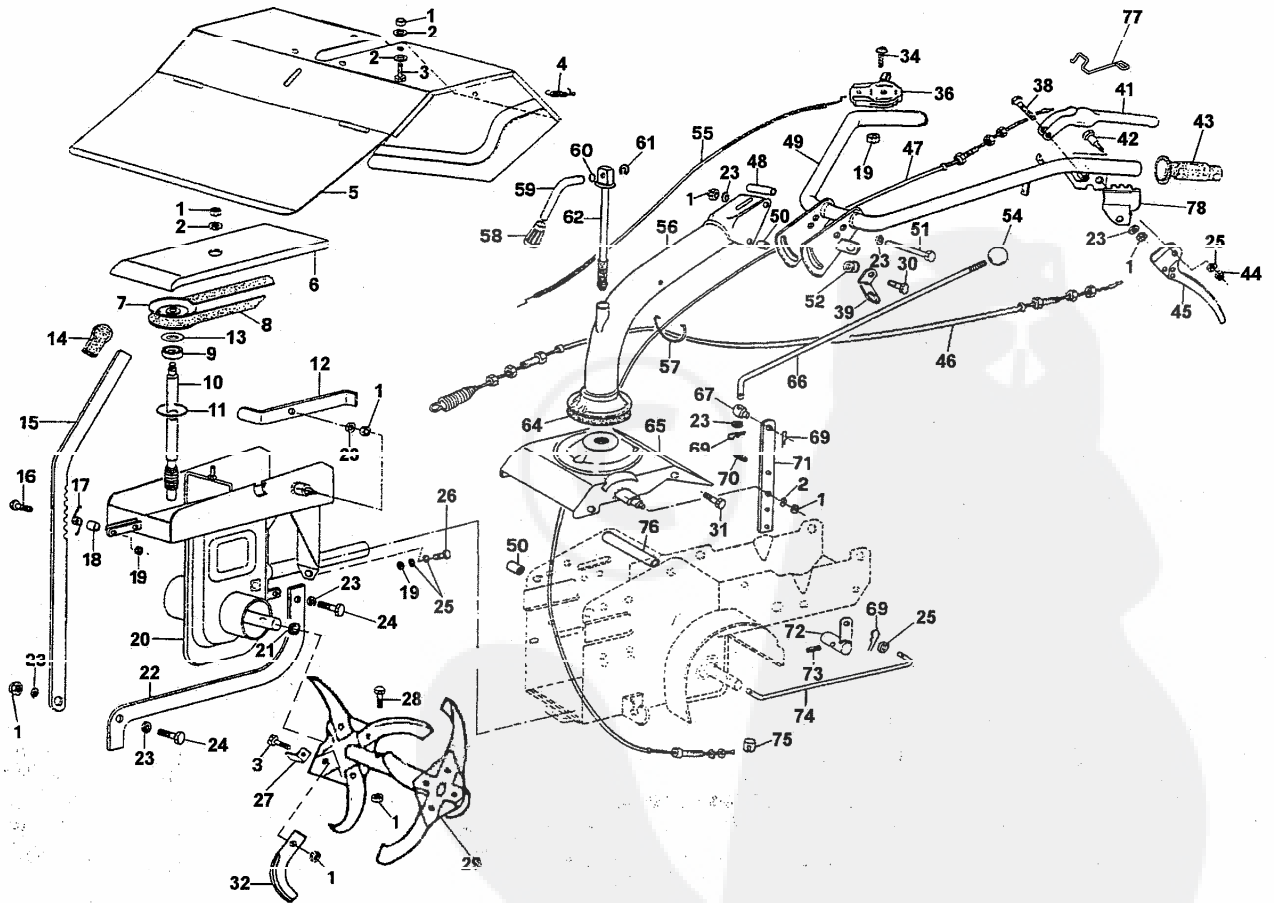
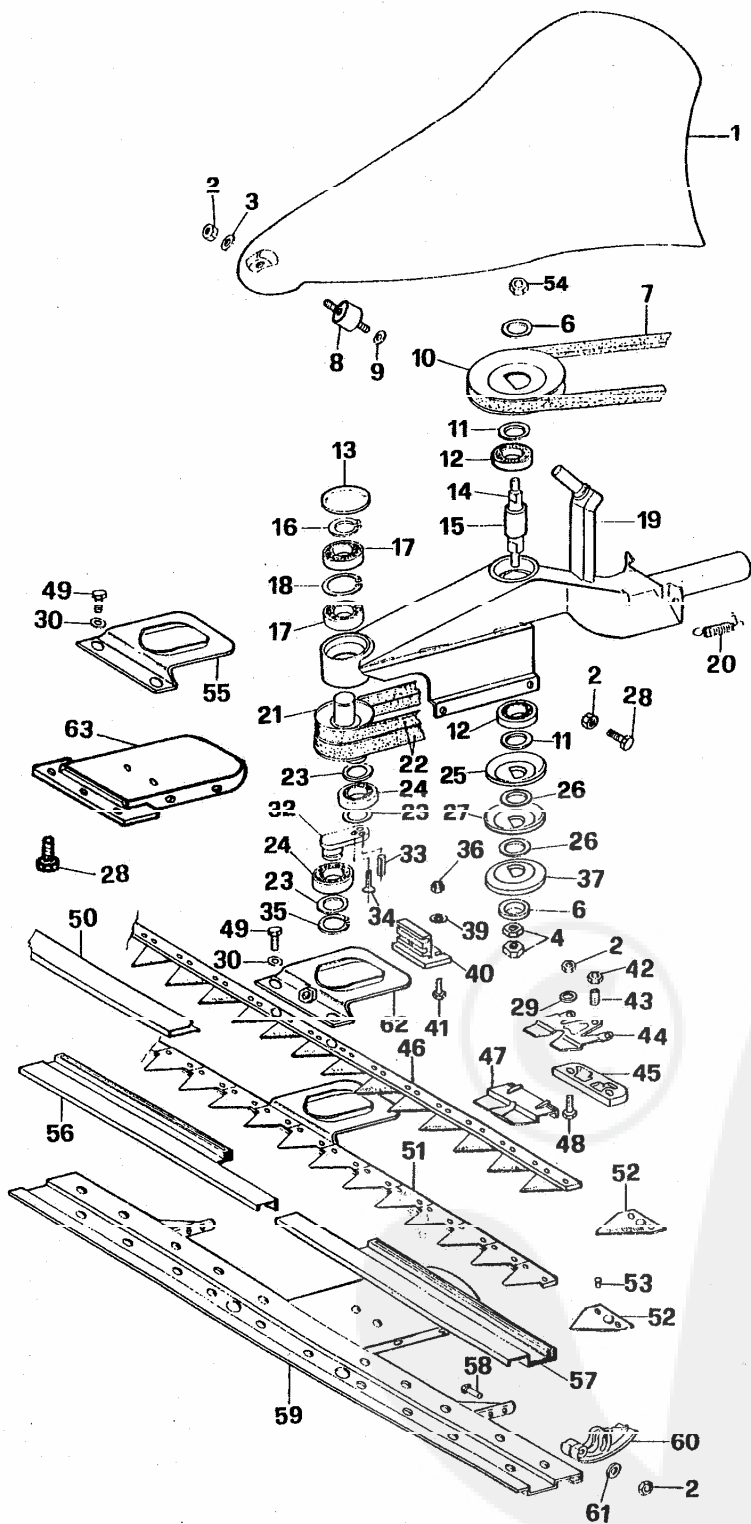


TAVOLA 3



| | |
|----|--------------------------|
| 1 | 32.1020.930 |
| - | 32.1020.920 (M220) |
| 2 | 81.4588.000 |
| 3 | 84.3713.000 |
| 4 | 81.4632.000 |
| 6 | 26.0005.232 |
| 7 | 27.0201.832 |
| 8 | 32.1020.916 |
| 9 | 84.3654.000 |
| 10 | 26.0005.237 |
| 11 | 27.0013.596 |
| 12 | 81.2586.000 |
| 13 | 85.2758.000 |
| 14 | 32.1020.200 |
| 15 | 32.1020.202 |
| 16 | 80.1149.000 |
| 17 | 81.2632.000 |
| 18 | 80.1309.000 |
| 19 | 32.1020.150 (BM550-P55) |
| - | 32.1020.158 (BM755-P55V) |
| - | 32.1020.156 (M220) |
| 20 | 26.1005.906 |
| 21 | 32.1020.208 |
| 22 | 32.1005.184 |
| 23 | 23.0005.212 |
| 24 | 81.2712.000 |
| 25 | 32.1005.244 |
| 26 | 32.1005.292 |
| 27 | 32.1005.242 |
| 28 | 86.2494.000 |
| 29 | 84.3685.000 |
| 30 | 84.3667.000 |
| 32 | 32.1020.205 |
| 33 | 85.1261.000 |
| 34 | 86.2168.000 |
| 35 | 80.1185.000 |
| 36 | 81.4548.000 |
| 37 | 32.1005.240 |
| 39 | 84.3619.000 |
| 40 | 32.1020.910 |
| 41 | 86.2120.000 |
| 42 | 81.4574.000 |
| 43 | 86.2672.000 |
| 44 | 26.1020.112 |
| 45 | 32.1020.122 |
| 46 | 32.1020.265 Busatis |
| - | 32.1020.266 ESM |
| 47 | 32.1020.908 |
| 48 | 86.2741.000 |
| 49 | 86.2459.050 |
| 50 | 26.1020.115 |
| 51 | 32.1020.245 Busatis |
| - | 32.1020.246 ESM |
| 52 | 26.1020.055 Busatis |
| - | 26.1020.065 ESM |
| 53 | 80.8866.000 Busatis |
| - | 80.8867.000 ESM |
| 54 | 81.4642.000 |
| 55 | 32.1020.216 ESM |
| 56 | 32.1020.904 |
| 57 | 32.1020.905 |
| 58 | 86.2724.000 |
| 59 | 32.1020.117 |
| 60 | 26.1020.116 |
| 61 | 84.3708.000 |