



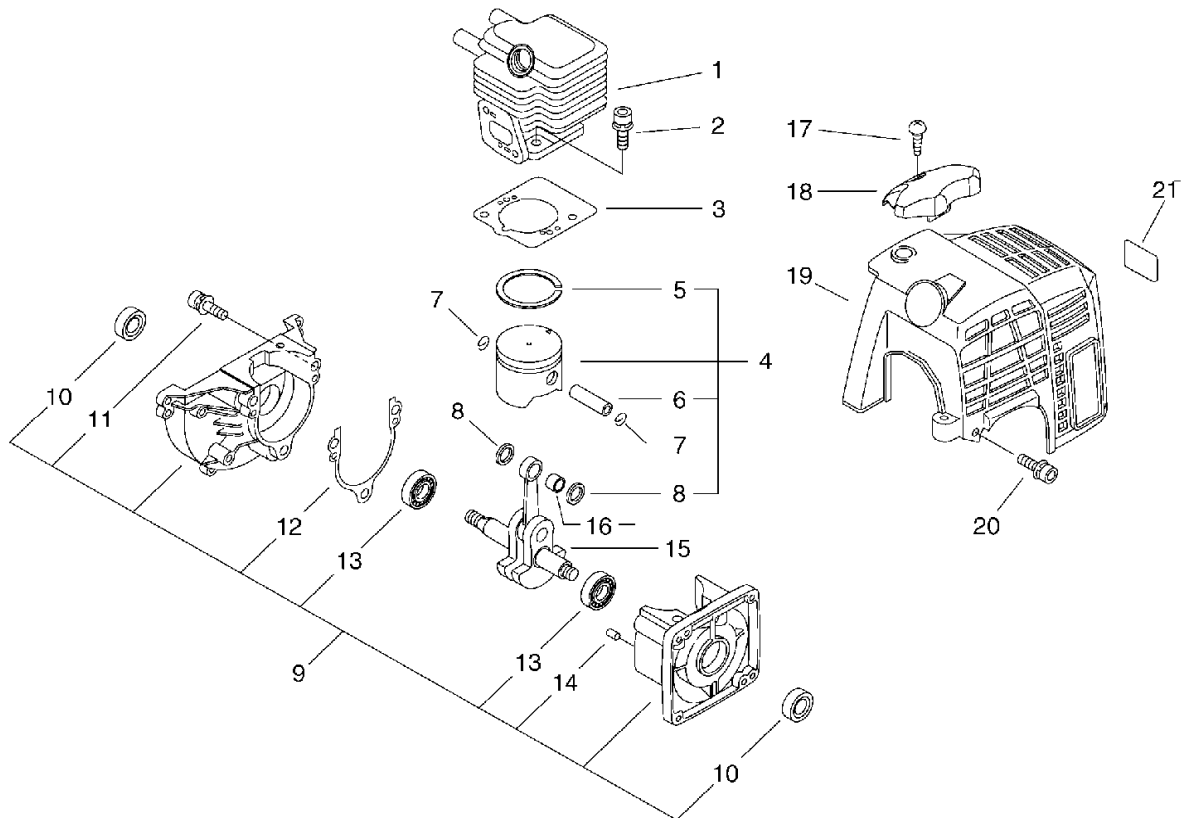
# **PARTS CATALOG**

## **GRASS-TRIMMER / BRUSHCUTTER**

**GT-220ES(37)**

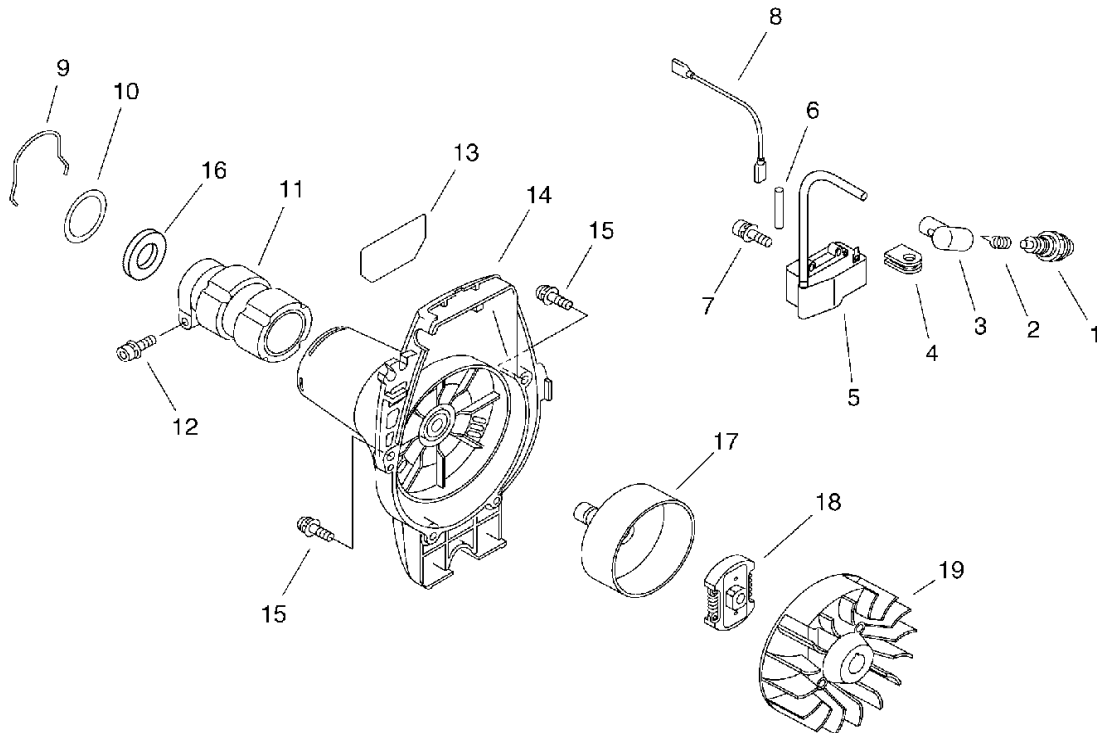
**37004281 - 37005414**

# 1. CYLINDER, CRANKCASE, PISTON



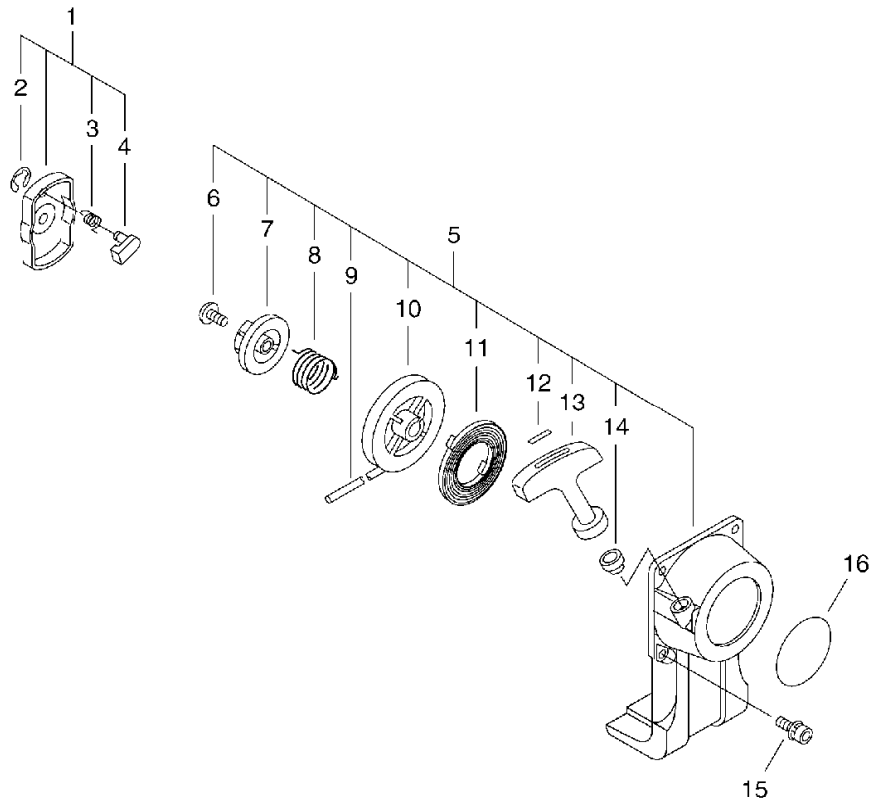
KEY	LV	PART NUMBER	Q'TY	DESCRIPTION	REMARKS	NOTE1	NOTE2
1		A130-000540	1	CYLINDER			
2		900162-05022	2	BOLT, H.S. 5*22	5*22 W,SW		
3		V100-000160	1	GASKET,CYL			
4		P021-007712	1	PISTON KIT			
5	+	A101-000090	1	RING,PISTON			
6	+	100013-11520	1	PIN,PISTON			
7	+	100015-04630	2	CIRCLIP,PISTON PIN			
8	+	100014-11520	2	SPACER,PISTON PIN			
9		100204-52132	1	CRANKCASE KIT			
10	+	100212-42031	2	OILSEAL	ISCD 12*22*4.5		
11	+	900162-05028	3	BOLT, H.S. 5*28	5*28 W,SW		
12	+	100242-42030	1	GASKET, CRANKCASE			
13	+	94035-36201	2	BEARING BALL	6201X3JR2C3		
14	+	100215-03930	2	PIN, DOWEL			
15		A011-000101	1	CRANKSHAFT,ASM			
16	+	V553-000010	1	BEARING,NEEDLE 8	HK0810		
17		900253-05020	1	SCREW 5*20	5*20		
18		A162-000130	1	GUARD, TOP			
19		A160-000890	1	COVER,CYLINDER			
20		V202-000090	2	BOLT,4	4*16		
21		X505-002310	1	LABEL, CAUTION	HOT CAUTION		

## 2. MAGNETO, CLUTCH



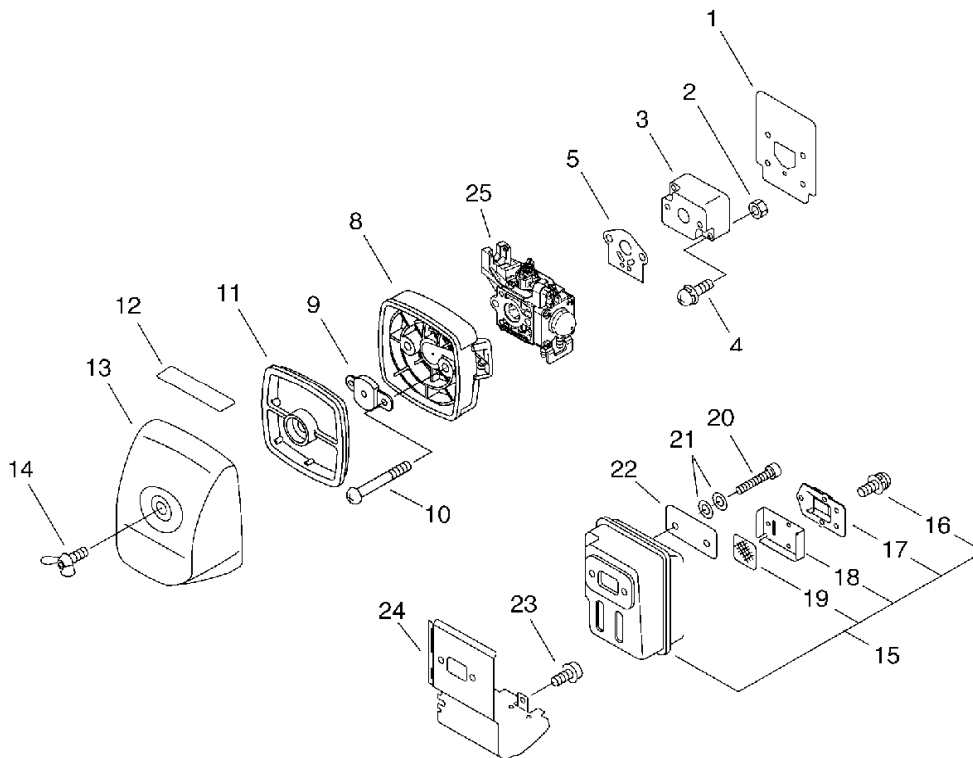
KEY	LV	PART NUMBER	Q'TY	DESCRIPTION	REMARKS	NOTE1	NOTE2
1		A425-000000	1	SPARKPLUG	BPMR8Y		
2		159011-03432	1	COIL, SPARK PLUG			
3		159012-03433	1	CAP, SPARK PLUG			
4		156112-40630	1	GROMMET			
5		A411-000140	1	COIL,IGNITION			
6		V475-003960	1	TUBE			
7		900162-04020	2	BOLT, H.S. 4*20	4*20 W,SW		
8		162010-52830	1	LEAD, GROUND			
9		660316-55630	1	CLIP			
10		V315-000030	1	WASHER,CIRCULAR 30	33.5*41.0*T0.5		
11		610922-55931	1	HOLDER, MAIN PIPE			
12		91118-05028	1	BOLT	CM-5*28		
13		X547-000540	1	LABEL,ECHO	GT-220ES		
14		A172-000320	1	COVER,FAN			
15		91363-04016	3	SCREW	SMB-4*16/W,SW		
16		175313-20430	1	RING, FELT			
17		175005-44331	1	DRUM, CLUTCH			
18		175000-56831	1	CLUTCH ASSEMBLY			
19		A409-000210	1	ROTOR,MAGNETO			

## 3. RECOIL STARTER



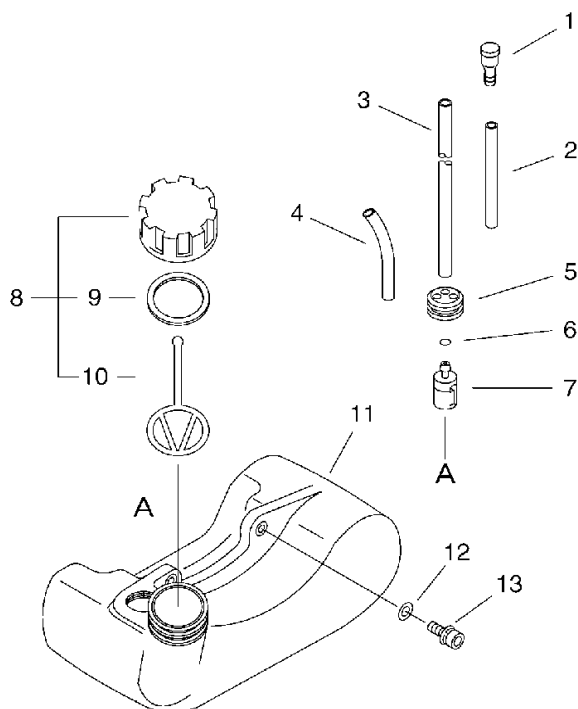
KEY	LV	PART NUMBER	Q'TY	DESCRIPTION	REMARKS	NOTE1	NOTE2
1		A052-000180	1	PULLEY,ASM STARTER			
2	+	P022-002100	2	E-RING	4		
3	+	P022-006510	2	SPRING, RETURN			
4	+	P022-006850	2	PAWL, STARTER			
5		A051-000680	1	STARTER,RECOIL			
6	+	177236-61830	1	SCREW			
7	+	P022-008280	1	PLATE, CAM			
8	+	P022-008270	1	SPRING,DAMPER			
9	+	P022-008260	1	ROPE	3M/M		
10	+	P022-006830	1	DRUM			
11	+	177220-42030	1	SPRING, REWIND			
12	+	177246-11120	1	CLIP, STARTER ROPE			
13	+	177228-27030	1	GRIP, STARTER			
14	+	177227-42030	1	GUIDE, ROPE			
15		V202-000090	2	BOLT,4	4*16		
16		X502-000330	1	LABEL,ECHO	ECHO		

## 4. AIR CLEANER, CARBURETOR, MUFFLER



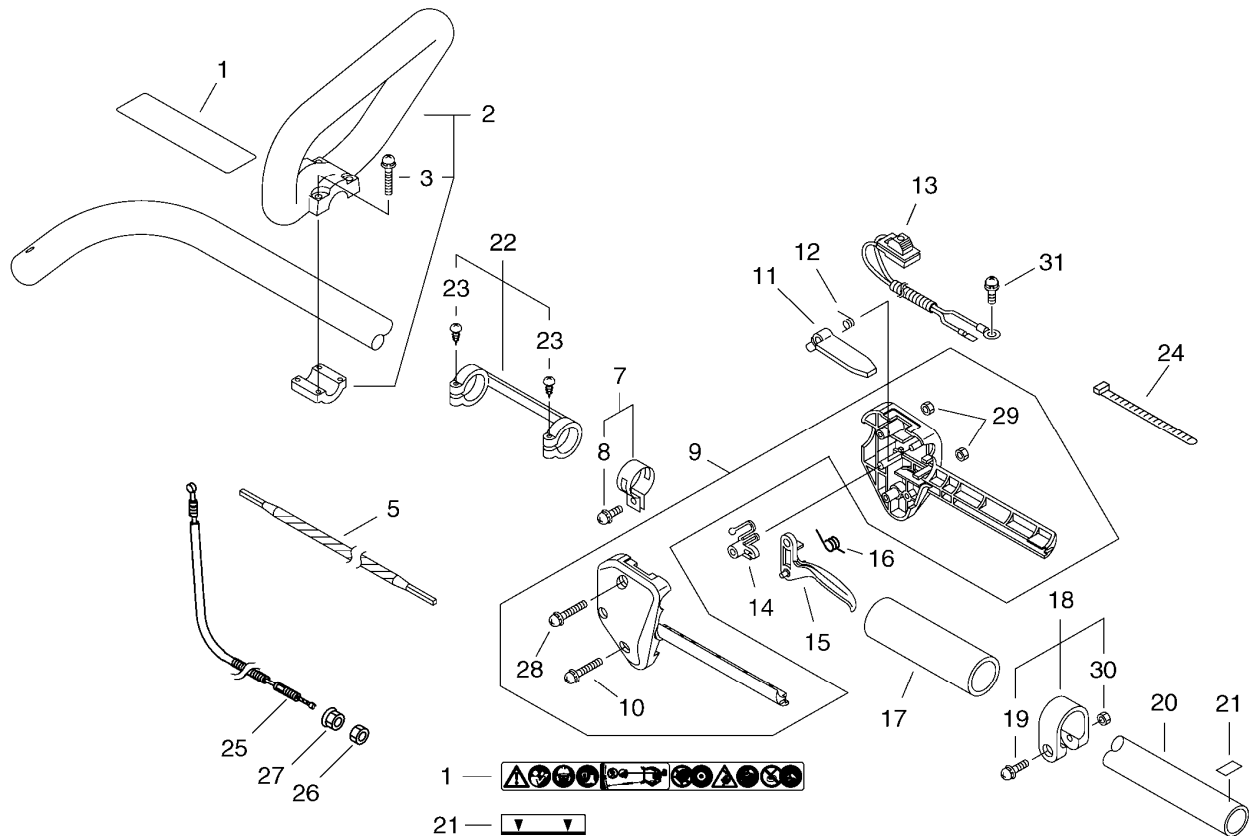
KEY	LV	PART NUMBER	Q'TY	DESCRIPTION	REMARKS	NOTE1	NOTE2
1		130010-42032	1	GASKET,INTAKE			
2		900500-00005	2	NUT 5	5		
3		130017-44331	1	INSULATOR			
4		900238-05022	2	SCREW 5*22	5*22		
5		130010-13410	1	GASKET, INTAKE			
8		P021-004480	1	CASE, AIR CLEANER			
9		129011-52730	1	PLATE, PREVENT			
10		900220-05065	2	SCREW 5*65	5*65		
11		130310-54130	1	FILTER, AIR			
12		890332-52730	1	LABEL, CHOKE			
13		130313-05863	1	LID, AIR CLEANER			
14		210417-52730	1	BOLT, WING	5*20		
15		P021-008101	1	MUFFLER ASY			
16	+	91367-04010	5	SCREW	4*10/SW(SUS)		
17	+	A313-000600	1	GUIDE,EXH			
18	+	V104-000360	1	GASKET,EXHAUST			
19	+	145862-40630	1	SCREEN, MUFFLER			
20		900105-05055	2	BOLT, H.S. 5*55	5*55		
21		V347-000000	4	WASHER,CONICAL			
22		V150-000371	1	PLATE,EYE			
23		91121-04008	1	BOLT, FLANGE	M4*8 10.9		
24		V104-000500	1	GASKET,EXHAUST			
25		A021-001690	1	CARBURETOR,DIAPHRAGM	ZAMA RB-X1746		

5. FUEL TANK



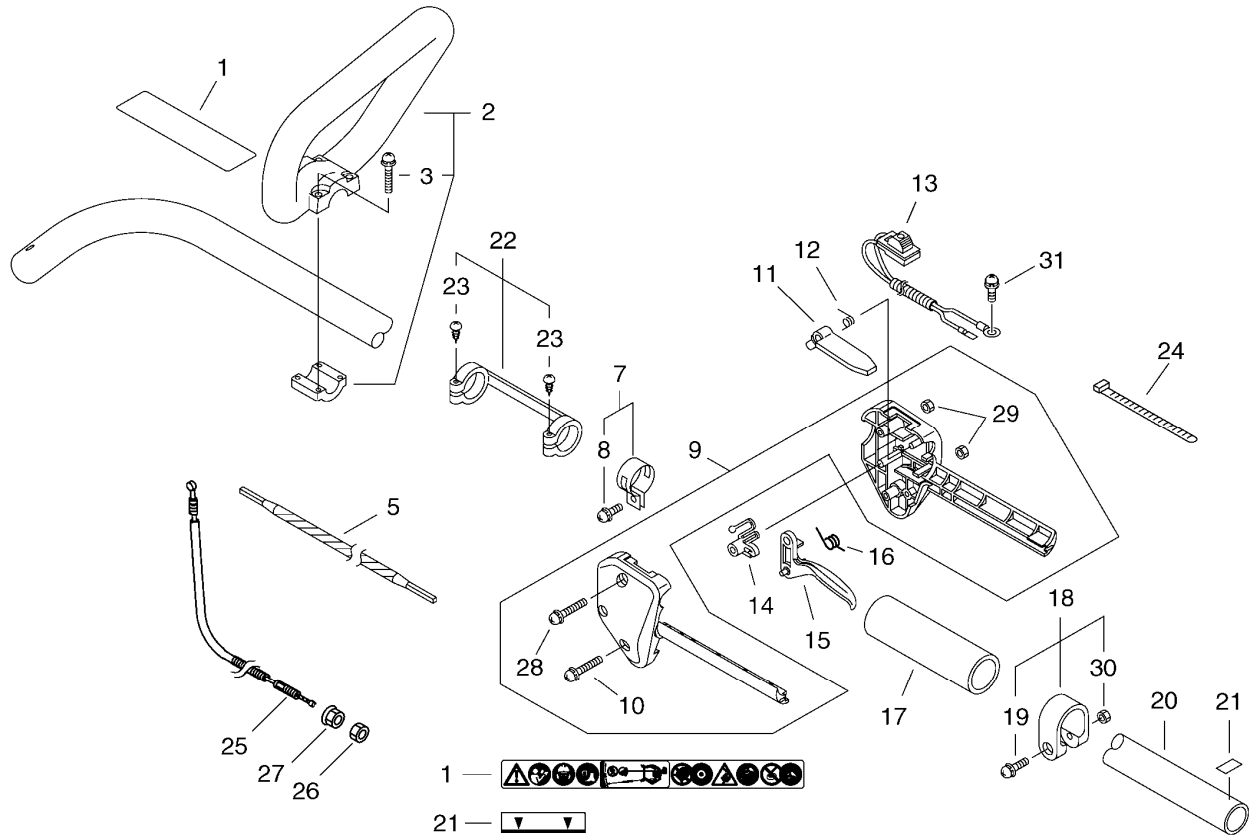
KEY	LV	PART NUMBER	Q'TY	DESCRIPTION	REMARKS	NOTE1	NOTE2
1		A356-000030	1	VALVE,CHECK			
2		V471-001200	1	PIPE	3*5*70 NBR		
3		V471-001190	1	PIPE	3*5*180 NBR		
4		132012-56030	1	PIPE	3*6*80 YL		
5		132115-46730	1	GROMMET, FUEL			
6		132013-09820	1	CLIP	6MM		
7		131205-07320	1	STRAINER, FUEL			
8		P021-012210	1	CAP,FUEL ASY			
9	+	131016-55830	1	GASKET, FUEL CAP			
10	+	A365-000060	1	CONNECTOR,CAP	L=123		
11		A350-000480	1	TANK, FUEL			
12		900603-00005	2	WASHER 5	5.5*12*0.8		
13		91118-05020	2	BOLT	CM-5*20		

## 6. MAIN PIPE



KEY	LV	PART NUMBER	Q'TY	DESCRIPTION	REMARKS	NOTE1	NOTE2
1		X505-000140	1	LABEL,CAUTION			
2		P021-016090	1	FRONT HANDLE ASY			
3	+	900242-05035	4	SCREW 5*35	5*35		
5		C506-000090	1	SHAFT, FLEXIBLE	L:1330 3251-096A		
7		301200-29430	1	BAND ASSY			
8	+	900242-05014	1	SCREW 5*14			
9		178003-52130	1	BRACKET SET,THROTTLE			
28	+	900242-05035	1	SCREW 5*35	5*35		
29	+	900500-00005	2	NUT 5	5		
10	+	900242-05025	1	SCREW 5*25	5*25		
11		178090-52632	1	LOCKOUT, T. CONTROL			
12		178013-52630	1	SPRING, THR. LOCK			
13		A440-000831	1	SWITCH, ON OFF			
13		A440-000832	1	SWITCH, ON OFF			
14		178012-52630	1	LOCKOUT, THROTTLE			
15		178010-52130	1	CONTROL, THROTTLE			
16		178043-42230	1	SPRING, THR. RETURN			
17		C403-000140	1	GRIP, HANDLE	L129.5*28		
18		P021-014550	1	BAND 25			
30	+	900500-00005	1	NUT 5	5		
19	+	900242-05028	1	SCREW 5*28	5*28		
20		C050-000470	1	PIPE,MAIN			
21		890152-04930	1	LABEL, CAUTION			
22		610281-54130	1	COLLER			
22		610281-54131	1	COLLER			

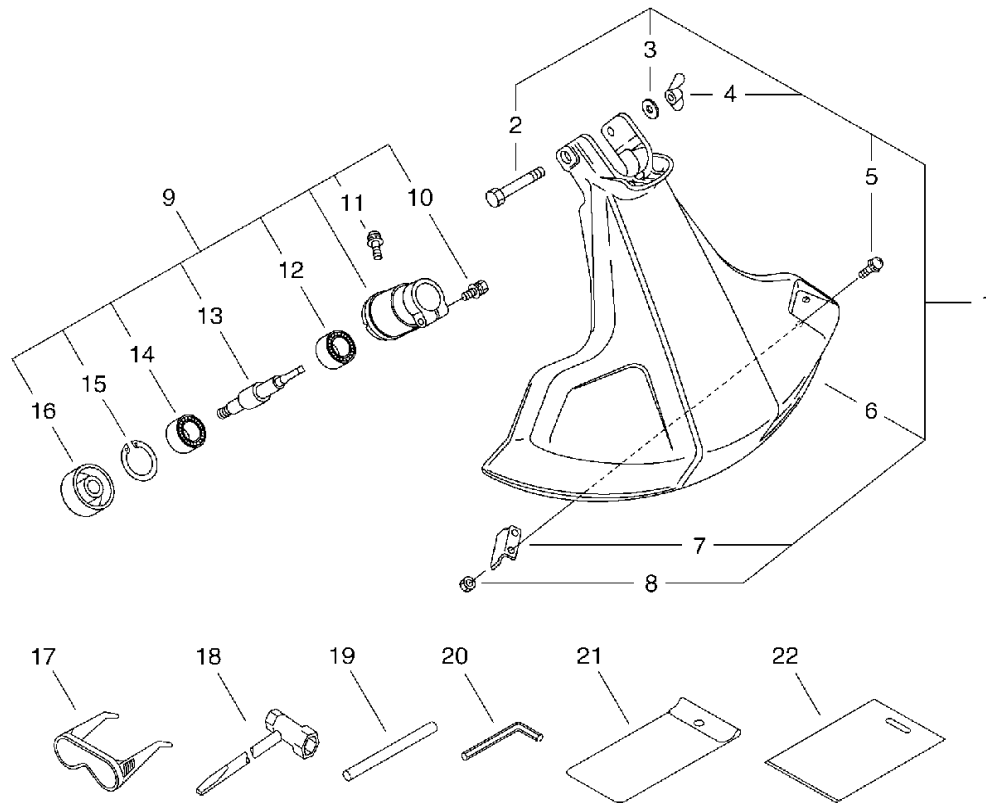
6. MAIN PIPE



KEY	LV	PART NUMBER	Q'TY	DESCRIPTION	REMARKS	NOTE1	NOTE2
23	+	900253-04025	2	SCREW 4*25	4*25		
24		178121-08550	2	BAND	CV-100		
25		V430-002290	1	CABLE,BOWDEN	330+61		
26		900502-00006	1	NUT 6 (3N)	3N6		
27		900518-00006	1	NUT, FLANGE	6		
31		91363-04016	1	SCREW	SMB-4*16/W,SW		

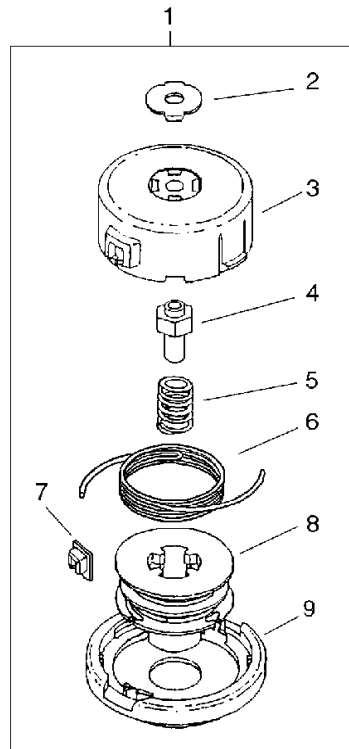


## 7. BEARING CASE, SHIELD



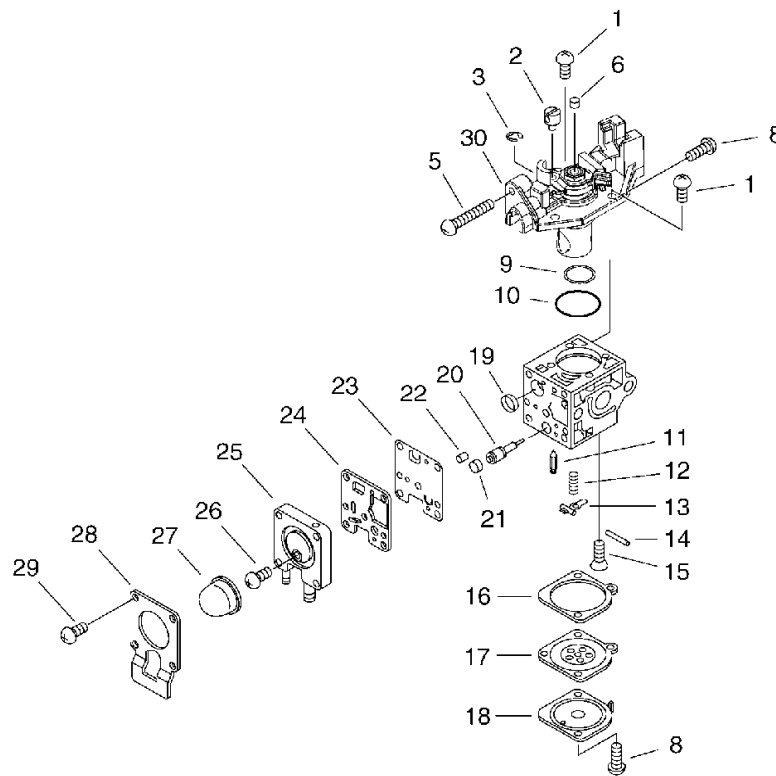
KEY	LV	PART NUMBER	Q'TY	DESCRIPTION	REMARKS	NOTE1	NOTE2
1		P021-009552	1	SHIELD KIT			
2	+	900017-08064	1	BOLT 1/4-20*2A	1/4-20*2A		
3	+	910300-27700	1	WASHER,CIRCULAR 6			
4	+	900033-00008	1	NUT, WING 1/4-20	1/4-20		
5	+	900238-05012	2	SCREW 5*12	5*12		
6	+	699010-44330	1	SHIELD (INCH)			
7	+	C554-000021	1	KNIFE, CORD			
8	+	900500-00005	2	NUT 5	5		
9		P021-009461	1	CASE,ASM BEARING			
10	+	91118-05025	1	BOLT			
11	+	900242-04010	1	SCREW 4*10	4*10		
12	+	94060-06200	1	BEARING BALL	WEAPON BB6200		
13	+	C534-000341	1	SHAFT,GEAR			
14	+	94061-06200	1	BEARING, BALL	BB6200 LU,DU		
15	+	900702-00030	1	CIRCLIP 30	CR-30		
16	+	C535-000340	1	FIXTURE, BLADE	3/8-24UNF		
17		X690-000050	1	GOGGLE	GOGGLE + NOTE		
18		895410-02830	1	WRENCH, W/S. DRIVER			
19		X606-000080	1	TOOL,BAR	5*120		
20		895610-00130	1	L-WRENCH (4MM)			
21		898510-07130	1	BAG, TOOL			
22		X698-000040	1	TOOL,CASE	400*500		

## 8. LINE CUTTER



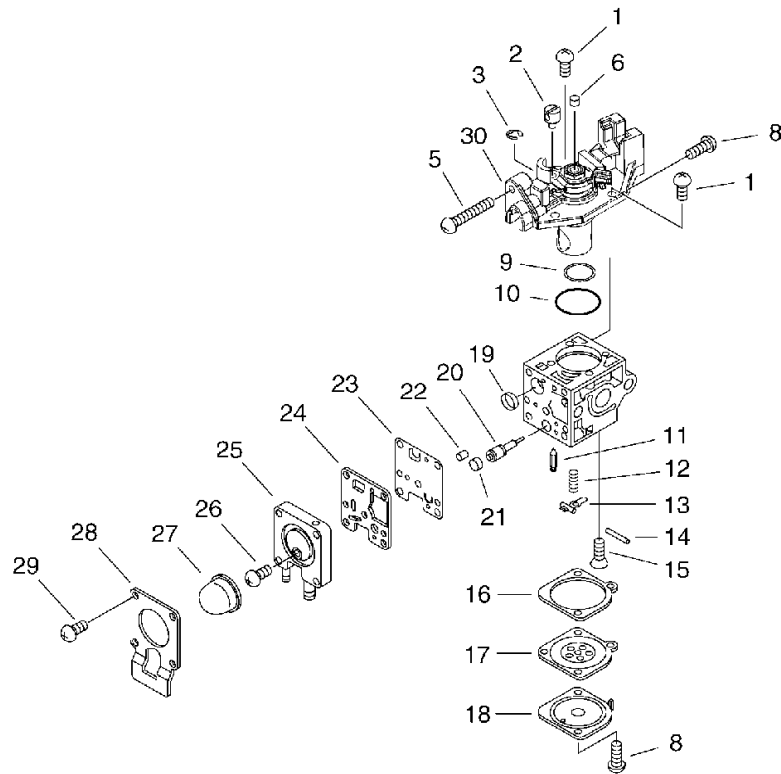
KEY	LV	PART NUMBER	Q'TY	DESCRIPTION	REMARKS	NOTE1	NOTE2
1		X047-000340	1	CUTTER,ASM LINE	B4-R		
2	+	P022-000670	1	TOP PLATE	T4		
3	+	P022-010740	1	HOUSING			
4	+	P022-010730	1	NUT			
5	+	P022-000720	1	SPRING	T4		
6	+	P022-006190	1	NYLON CODE	3.0*2M		
7	+	P022-000710	2	EYELET	T4		
8	+	P022-000700	1	BOBBIN	T4		
9	+	P022-010720	1	COVER			

## 9. CARBURETOR



KEY	LV	PART NUMBER	Q'TY	DESCRIPTION	REMARKS	NOTE1	NOTE2
		A021-001690	1	CARBURETOR,DIAPHRAGM	ZAMA RB-X1746		
1	+	125344-13931	3	SCREW			
2	+	P005-001240	1	POST			
3	+	P005-000190	1	E-RING			
5	+	P005-000100	1	SCREW,THROTTLEADJUST			
6	+	P005-001270	1	PLUG, H AJUST SCREW			
8	+	125344-52130	3	SCREW			
9	+	P005-001000	1	ROLLER, GUIDE			
10	+	P005-000280	1	O-RING			
11	+	125337-08260	1	VALVE, INLET NEEDLE			
12	+	P005-000940	1	SPRING, METER. LEVER			
13	+	125323-08260	1	ARM, VALVE			
14	+	125338-13930	1	PIN, METERING ARM			
15	+	125339-42030	1	SCREW			
16	+	P005-000200	1	GASKET, METERING			
17	+	P005-001780	1	DIAPHRAGM			
18	+	125342-52130	1	COVER, DIAPHRAGM			
19	+	P005-000010	1	STRAINER			
20	+	P005-001260	1	SCREW,MAINN MIXTURE			
21	+	P005-001270	1	PLUG, H AJUST SCREW			
22	+	P005-001250	1	RETAINER,PLUG BALL			
23	+	P005-000510	1	DIAPHRAGM, PUMP			
24	+	P005-000520	1	GASKET, PUMP			
25	+	P005-000930	1	BASE, ASY PRIMER			
26	+	P005-000270	1	SCREW			

## 9. CARBURETOR



KEY	LV	PART NUMBER	Q'TY	DESCRIPTION	REMARKS	NOTE1	NOTE2
27	+	125381-46730	1	PUMP, PRIMING			
28	+	P05-000250	1	RETAINER			
29	+	P05-001900	4	SCREW			
30	+	P05-002050	1	COVER ASY, ROTOR			

## 10. REPAIR KIT

KEY	LV	PART NUMBER	Q'TY	DESCRIPTION	REMARKS	NOTE1	NOTE2
		P005-001660	1	DIAPHRAGM/GASKET KIT			
9-16	+	P005-000200	1	GASKET, METERING			
9-17	+	P005-001780	1	DIAPHRAGM			
9-23	+	P005-000510	1	DIAPHRAGM, PUMP			
9-24	+	P005-000520	1	GASKET, PUMP			
		P005-001670	1	REBUILD KIT			
9-9	+	P005-001000	1	ROLLER, GUIDE			
9-11	+	125337-08260	1	VALVE, INLET NEEDLE			
9-13	+	125323-08260	1	ARM, VALVE			
9-14	+	125338-13930	1	PIN, METERING ARM			
9-16	+	P005-000200	1	GASKET, METERING			
9-17	+	P005-001780	1	DIAPHRAGM			
9-19	+	P005-000010	1	STRAINER			
9-20	+	P005-000940	1	SPRING, METER. LEVER			
9-23	+	P005-000510	1	DIAPHRAGM, PUMP			
9-24	+	P005-000520	1	GASKET, PUMP			

**Index**

<b>Patrs Number</b>	<b>Key No.</b>	<b>Patrs Number</b>	<b>Key No.</b>	<b>Patrs Number</b>	<b>Key No.</b>
100013-11520	1 - 6	210417-52730	4 - 14	A021-001690	4 - 25
100014-11520	1 - 8	301200-29430	6 - 7	A021-001690	9 -
100015-04630	1 - 7	610281-54130	6 - 22	A051-000680	3 - 5
100204-52132	1 - 9	610281-54131	6 - 22	A052-000180	3 - 1
100212-42031	1 - 10	610922-55931	2 - 11	A101-000090	1 - 5
100215-03930	1 - 14	660316-55630	2 - 9	A130-000540	1 - 1
100242-42030	1 - 12	699010-44330	7 - 6	A160-000890	1 - 19
125323-08260	9 - 13	890152-04930	6 - 21	A162-000130	1 - 18
125323-08260	10 - 9-13	890332-52730	4 - 12	A172-000320	2 - 14
125337-08260	9 - 11	895410-02830	7 - 18	A313-000600	4 - 17
125337-08260	10 - 9-11	895610-00130	7 - 20	A350-000480	5 - 11
125338-13930	9 - 14	898510-07130	7 - 21	A356-000030	5 - 1
125338-13930	10 - 9-14	900017-08064	7 - 2	A365-000060	5 - 10
125339-42030	9 - 15	900033-00008	7 - 4	A409-000210	2 - 19
125342-52130	9 - 18	900105-05055	4 - 20	A411-000140	2 - 5
125344-13931	9 - 1	900162-04020	2 - 7	A425-000000	2 - 1
125344-52130	9 - 8	900162-05022	1 - 2	A440-000831	6 - 13
125381-46730	9 - 27	900162-05028	1 - 11	A440-000832	6 - 13
129011-52730	4 - 9	900220-05065	4 - 10	C050-000470	6 - 20
130010-13410	4 - 5	900238-05012	7 - 5	C403-000140	6 - 17
130010-42032	4 - 1	900238-05022	4 - 4	C506-000090	6 - 5
130017-44331	4 - 3	900242-04010	7 - 11	C534-000341	7 - 13
130310-54130	4 - 11	900242-05014	6 - 8	C535-000340	7 - 16
130313-05863	4 - 13	900242-05025	6 - 10	C554-000021	7 - 7
131016-55830	5 - 9	900242-05028	6 - 19	P005-000010	9 - 19
131205-07320	5 - 7	900242-05035	6 - 3	P005-000010	10 - 9-19
132012-56030	5 - 4	900242-05035	6 - 28	P005-000100	9 - 5
132013-09820	5 - 6	900253-04025	6 - 23	P005-000190	9 - 3
132115-46730	5 - 5	900253-05020	1 - 17	P005-000200	9 - 16
145862-40630	4 - 19	900500-00005	4 - 2	P005-000200	10 - 9-16
156112-40630	2 - 4	900500-00005	6 - 29	P005-000200	10 - 9-16
159011-03432	2 - 2	900500-00005	6 - 30	P005-000250	9 - 28
159012-03433	2 - 3	900500-00005	7 - 8	P005-000270	9 - 26
162010-52830	2 - 8	900502-00006	6 - 26	P005-000280	9 - 10
175000-56831	2 - 18	900518-00006	6 - 27	P005-000510	9 - 23
175005-44331	2 - 17	900603-00005	5 - 12	P005-000510	10 - 9-23
175313-20430	2 - 16	900702-00030	7 - 15	P005-000510	10 - 9-23
177220-42030	3 - 11	910300-27700	7 - 3	P005-000520	9 - 24
177227-42030	3 - 14	91118-05020	5 - 13	P005-000520	10 - 9-24
177228-27030	3 - 13	91118-05025	7 - 10	P005-000520	10 - 9-24
177236-61830	3 - 6	91118-05028	2 - 12	P005-000930	9 - 25
177246-11120	3 - 12	91121-04008	4 - 23	P005-000940	9 - 12
178003-52130	6 - 9	91363-04016	2 - 15	P005-000940	10 - 9-20
178010-52130	6 - 15	91363-04016	6 - 31	P005-001000	9 - 9
178012-52630	6 - 14	91367-04010	4 - 16	P005-001000	10 - 9-9
178013-52630	6 - 12	94035-36201	1 - 13	P005-001240	9 - 2
178043-42230	6 - 16	94060-06200	7 - 12	P005-001250	9 - 22
178090-52632	6 - 11	94061-06200	7 - 14	P005-001260	9 - 20
178121-08550	6 - 24	A011-000101	1 - 15	P005-001270	9 - 6

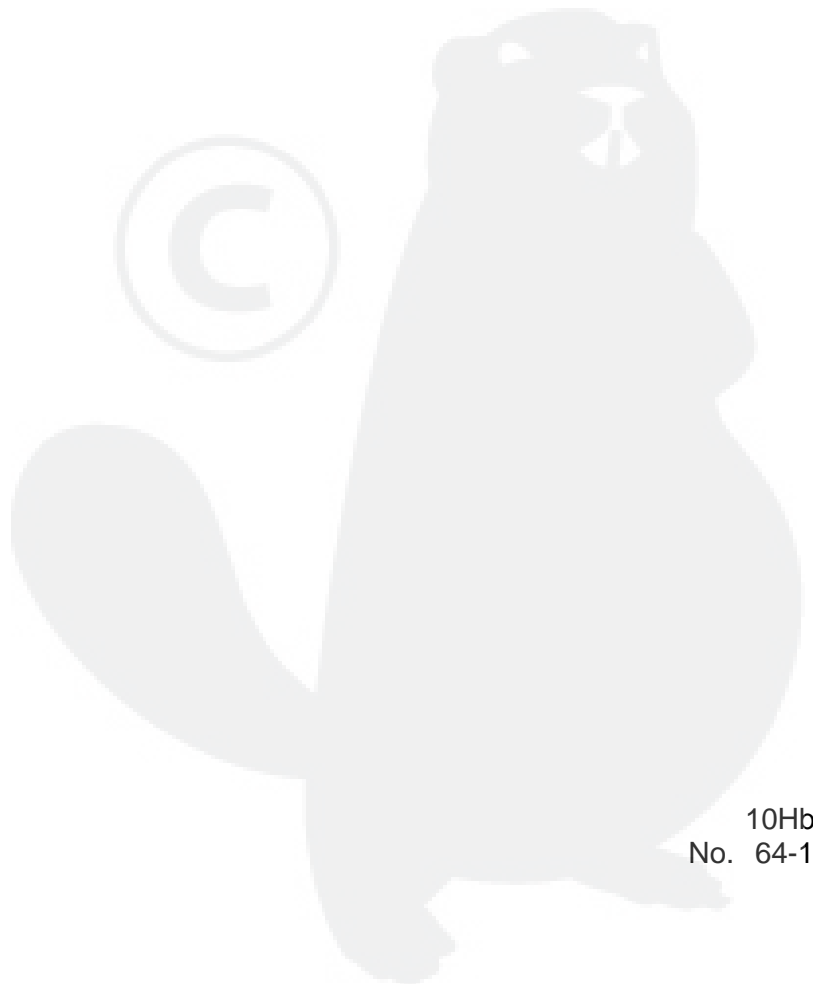
**Index**

<b>Patrs Number</b>	<b>Key No.</b>	<b>Patrs Number</b>	<b>Key No.</b>	<b>Patrs Number</b>	<b>Key No.</b>
P005-001270	9 - 21	X606-000080	7 - 19		
P005-001660	10 -	X690-000050	7 - 17		
P005-001670	10 -	X698-000040	7 - 22		
P005-001780	9 - 17				
P005-001780	10 - 9-17				
P005-001780	10 - 9-17				
P005-001900	9 - 29				
P005-002050	9 - 30				
P021-004480	4 - 8				
P021-007712	1 - 4				
P021-008101	4 - 15				
P021-009461	7 - 9				
P021-009552	7 - 1				
P021-012210	5 - 8				
P021-014550	6 - 18				
P021-016090	6 - 2				
P022-000670	8 - 2				
P022-000700	8 - 8				
P022-000710	8 - 7				
P022-000720	8 - 5				
P022-002100	3 - 2				
P022-006190	8 - 6				
P022-006510	3 - 3				
P022-006830	3 - 10				
P022-006850	3 - 4				
P022-008260	3 - 9				
P022-008270	3 - 8				
P022-008280	3 - 7				
P022-010720	8 - 9				
P022-010730	8 - 4				
P022-010740	8 - 3				
V100-000160	1 - 3				
V104-000360	4 - 18				
V104-000500	4 - 24				
V150-000371	4 - 22				
V202-000090	1 - 20				
V202-000090	3 - 15				
V315-000030	2 - 10				
V347-000000	4 - 21				
V430-002290	6 - 25				
V471-001190	5 - 3				
V471-001200	5 - 2				
V475-003960	2 - 6				
V553-000010	1 - 16				
X047-000340	8 - 1				
X502-000330	3 - 16				
X505-000140	6 - 1				
X505-002310	1 - 21				
X547-000540	2 - 13				

# YAMABIKO CORPORATION

7-2 SUEHIROCHO 1-CHOME, OHME, TOKYO 198-8760, JAPAN  
PHONE: 81-428-32-6118. FAX: 81-428-32-6145.

**ECHO**®



10Hb  
No. 64-143