

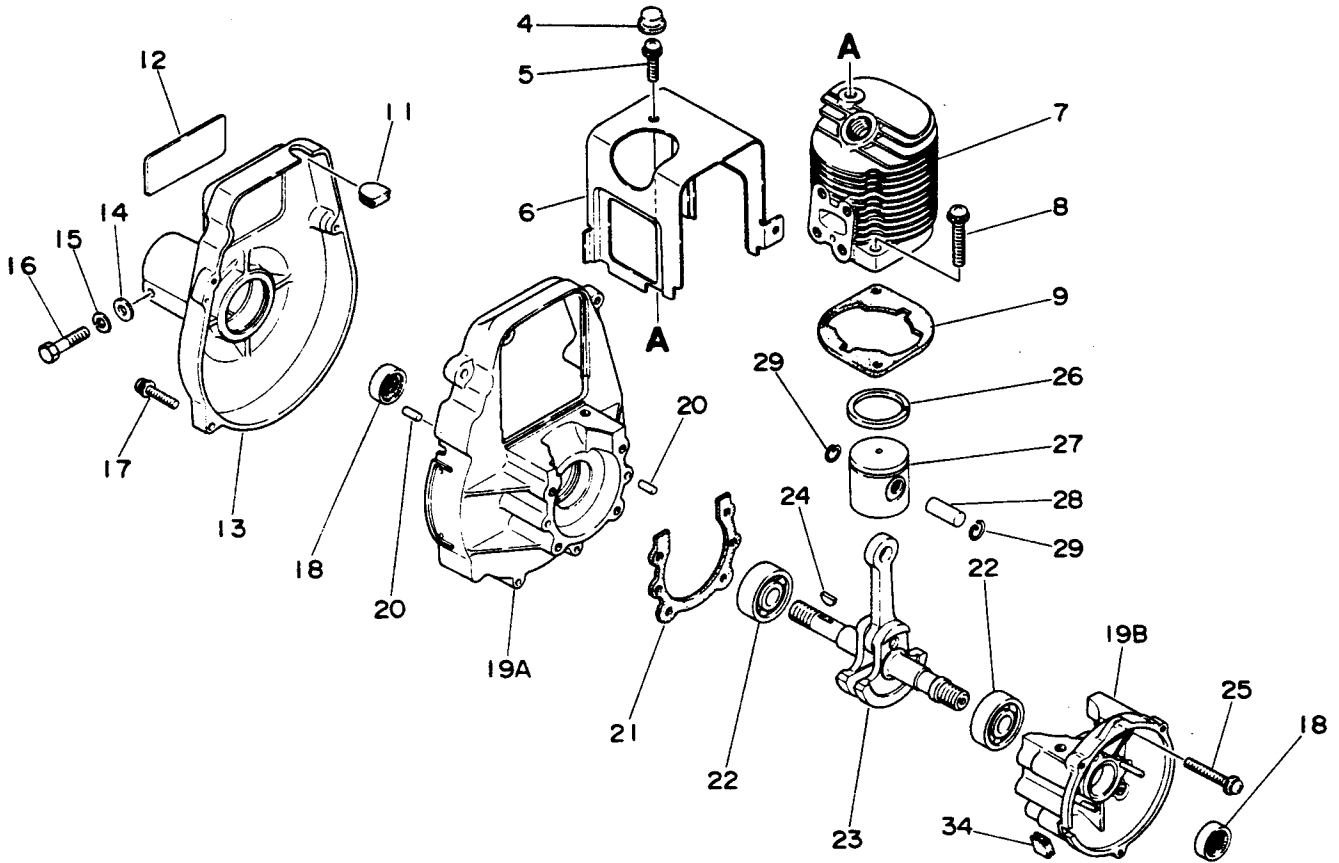


**GRASS TRIMMERS
PARTS CATALOG
MODEL GT-160AE
MODEL GT-200BE
SERIAL NUMBER 001001 & UP**

**ECHO, INCORPORATED
400 OAKWOOD ROAD
LAKE ZURICH, IL 60047**

999222 02606
01/92

GT-160AE 1

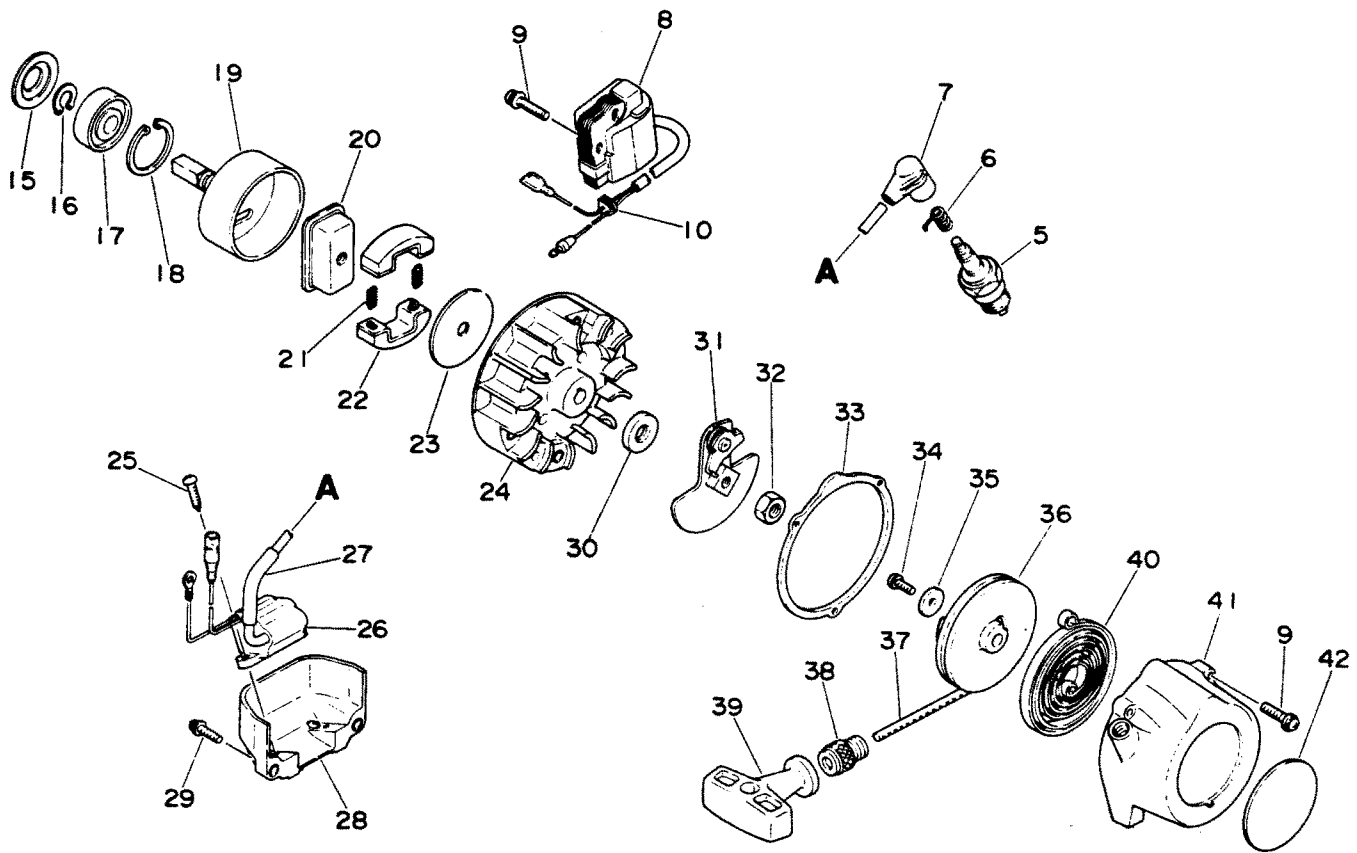


Key No.	Part Number	Q'ty	Description	Key No.	Part Number	Q'ty	Description
1- 4	880 516-0922 0	1	Cap. screw	1-20	-100 215-0393 0	4	Knock pin
5	900 242-0501 0	1	Screw 5 x 10	21	100 242-0492 0	1	Gasket, crankcase
6	101 514-0922 0	1	Cylinder cover	22	900 810-3620 0	2	Ball bearing
7	101 034-0922 0	1	Cylinder	23	100 100-0492 1	1	Crankshaft ass'y
8	900 242-0602 0	2	Screw 6 x 20	24	100 142-0033 0	1	Key (M)
9	101 010-0492 0	1	Gasket, cyl.	25	900 242-0503 0	4	Screw 5 x 30
11	101 538-0742 0	1	Plug	26	100 011-0216 0	1	Piston ring
12	890 115-2663 0	1	Decal, model	27	100 010-0216 0	1	Piston
13	101 511-0632 0	1	Fan cover	28	100 013-2193 0	1	Piston pin
14	900 600-0000 5	1	Washer 5	29	400 015-0463 0	2	Circlip, piston pin
15	900 605-0000 5	1	Spring washer 5	34	100 223-0553 0	1	Plug
16	900 151-0502 0	1	Bolt 5 x 20				
17	900 242-0402 0	4	Screw 4 x 20				
18	100 213-0593 0	2	Oilseal				
19	100 200-2663 0	1	Crankcase set				

Remark:

19 Includes 20

GT-160AE 2

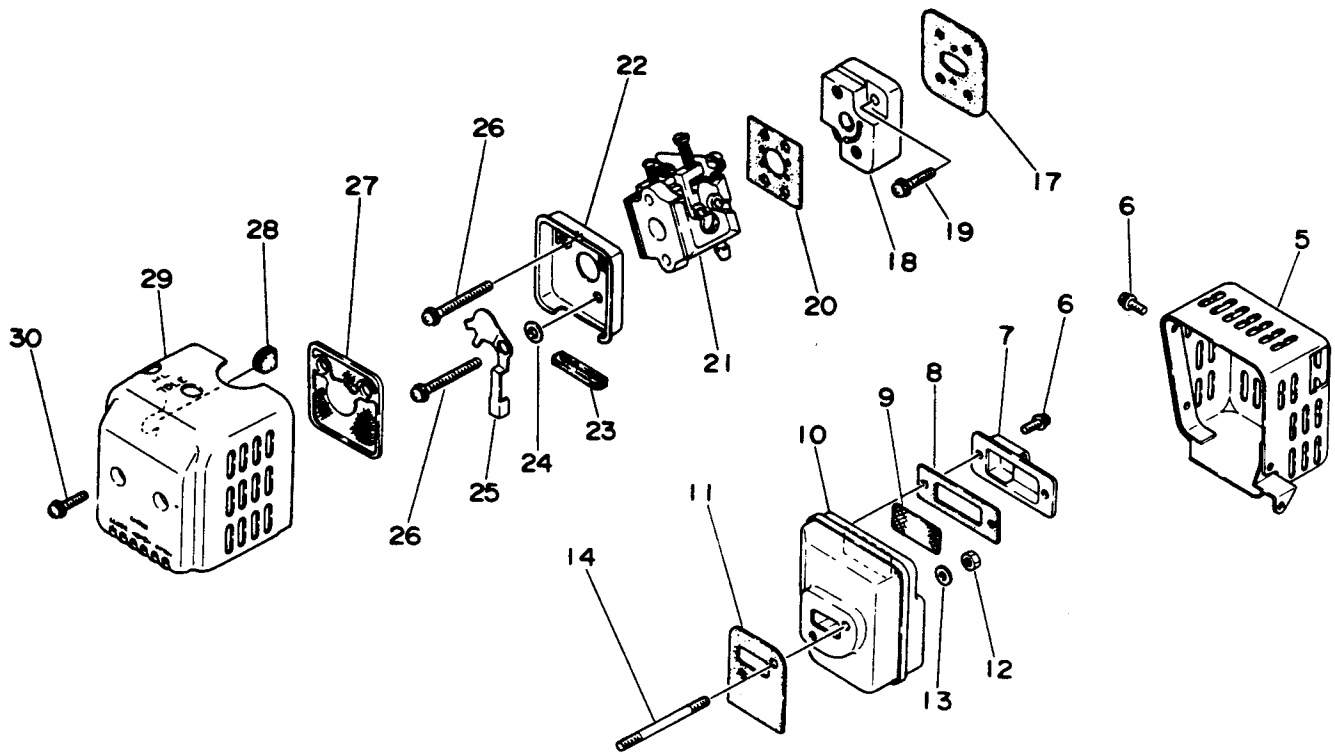


Key No.	Part Number	Q'ty	Description	Key No.	Part Number	Q'ty	Description
2- 5	159 026-0393 0	1	Spark plug (CJ-8)	2-29	900 242-0401 4	2	Screw 4 x 14
6	159 011-0343 2	1	Coil spring	30	100 132-0653 0	1	Washer
7	159 012-0343 3	1	Cap, spark plug	31	177 305-0492 0	1	Ratchet ass'y
8	150 601-2663 0	1	Module	32	900 502-0000 8	1	Nut 8
9	900 242-0402 0	5	Screw 4 x 20	33	100 615-0492 0	1	Gasket, starter
10	156 114-0231 0	1	Grommet	*	177 200-0632 0	1	Starter ass'y
15	175 053-0492 0	1	Stopper	34	-900 241-0401 0	1	Screw 4 x 10
16	900 701-0001 2	1	Circlip 12	35	-177 214-0463 0	1	Washer
17	900 819-0620 1	1	Ball bearing	36	-177 215-0492 0	1	Recoil drum
18	900 702-0003 2	1	Circlip 32	37	-177 226-0653 0	1	Starter rope
19	175 010-0492 0	1	Clutch case	38	-177 227-0533 0	1	Rope guide
20	175 016-0492 0	1	Clutch boss	39	-177 228-0653 0	1	Starter glip
21	175 018-0653 0	2	Clutch spring	40	-177 220-0653 0	1	Rewind spring
22	175 017-0463 0	2	Clutch shoe	41	-177 209-0632 0	1	Starter case
23	175 019-0492 0	1	Side plate	42	890 112-2673 0	1	Decal, ECHO
24	150 800-2663 0	1	Flywheel				
25	900 249-0401 6	2	Tapping screw				
26	150 626-2663 0	1	Ignition coil				
27	156 611-0942 0	1	Tube				
28	159 315-2663 0	1	Cover				

Remarks:

* Consists of 34 thru 41

GT-160AE

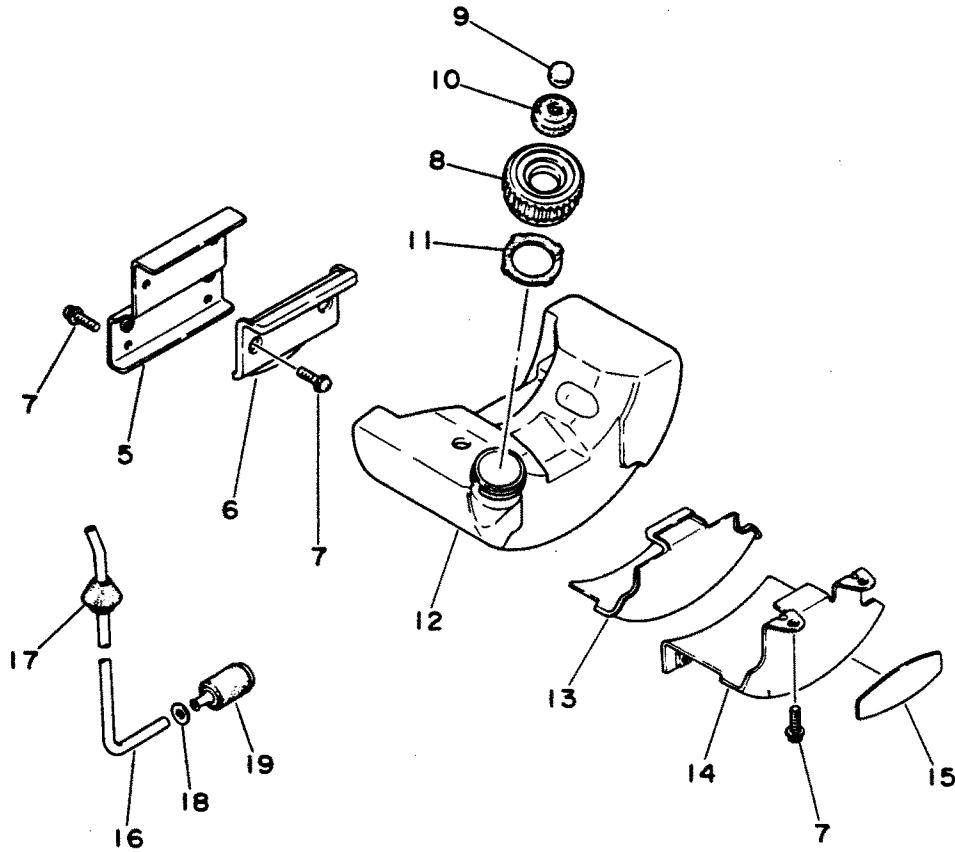


Key No.	Part Number	Q'ty	Description	Key No.	Part Number	Q'ty	Description
3- *	145 803-0922 0	1	Muffler ass'y	3-19	900 243-0502 0	2	Screw 5x20
5	-145 871-0922 0	1	Cover, muffler	20	130 016-0922 0	1	Gasket, carburetor
6	-900 242-0401 0	4	Screw 4x10	21	123 000-0922 0	1	Carburetor WA 138A
7	-145 809-0652 0	1	Screen holder	21	123 000-0932 0	1	Carburetor WA 143
8	-145 866-0922 0	1	Gasket				
9	-145 862-0922 0	1	Screen	22	130 301-0922 0	1	Case, air cleaner
10	-145 806-0922 0	1	Muffler	23	-178 810-2163 0	1	Grommet
11	-145 510-0922 0	1	Gasket, muffler	24	178 516-0083 0	1	Spacer
12	433 020-0083 0	2	Lock nut 5	25	178 515-0922 0	1	Choke shutter
13	900 603-0000 5	2	Washer 5	26	900 242-0504 0	2	Screw 5x40
14	101 014-0056 0	2	Stud, muffler	27	130 310-0653 0	1	Air filter
17	130 010-0922 0	1	Gasket	28	101 538-0742 0	1	Plug
18	130 007-0922 0	1	Insulator	29	130 308-0922 0	1	Cover, air cleaner
18	130 007-0932 0	1	Insulator	30	900 242-0401 8	2	Screw 4x18
	(GT-160AE)						
	(GT-200BE)						

Remarks:

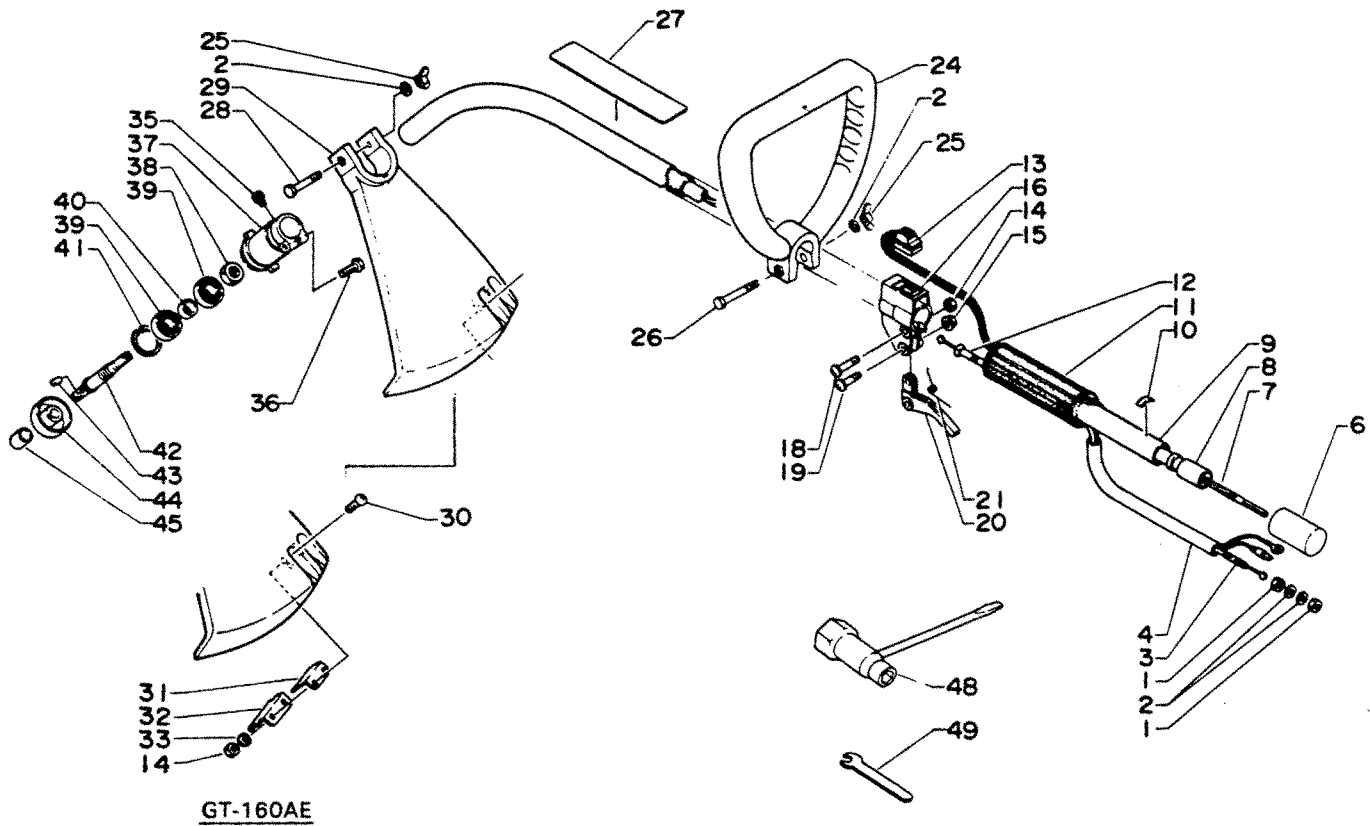
* Consists of 5 thru 11

22 Includes 23



Key No.	Part Number	Q'ty	Description	Key No.	Part Number	Q'ty	Description
4- 5	131 910-0922 0	1	Bracket, fuel tank	4-15	890 118-2403 0	1	Decal, ECHO
6	131 920-0922 0	1	Cushion, fuel tank	16	132 010-0922 0	1	Fuel pipe (3x6x135)
7	900 242-0401 4	6	Screw 4x14	17	132 115-0492 0	1	Grommet
8	131 004-0632 0	1	Cap ass'y, f. tnk	18	900 603-0000 5	1	Washer 5
9	-131 315-0502 0	1	Filter	19	131 200-2133 0	1	Fuel strainer
10	-131 314-0632 0	1	Check valve	Remark: 8 Includes 9			
11	-131 016-0492 0	1	Gasket, f. tank cap				
12	131 010-0922 0	1	Fuel tank				
13	131 924-0922 0	1	Cushion				
14	131 918-0922 0	1	Bracket, fuel tank				

GT-160AE 5



GT-160AE

Key No.	Part Number	Q'ty	Description	Key No.	Part Number	Q'ty	Description
5- 1	900 502-0000 6	2	Nut 6	5- 2	-900 600-0000 6	1	Washer 6
2	900 600-0000 6	2	Washer 6	14	-900 500-0000 5	2	Nut 5
3	178 001-0963 0	1	Throttle cable	25	-900 525-0000 6	1	Wing nut 6
4	178 127-0963 0	1	Tube	28	-900 100-0605 0	1	Bolt 6x50
7	610 013-0963 0	1	Shaft, drive	29	-699 010-0963 0	1	Shield
8	610 217-0963 0	1	Bush	30	-900 240-0501 4	2	Screw 5 x 14
9	610 210-0963 0	1	Housing, drive shaft	31	-699 016-0632 0	1	Cutter
10	890 152-0493 0	1	Decal, guide	32	-699 212-0963 0	1	Guard
11	351 111-0963 0	1	Grip	33	-900 605-0000 5	2	Spring washer 5
12	178 048-0563 0	1	Spacer	**	610 400-0963 0	1	Housing ass'y, bearing
13	163 400-0963 0	1	Switch	35	-900 242-0401 0	1	Screw 4x10
14	900 500-0000 5	1	Nut 5	36	-900 152-0502 5	1	Bolt 5x25
15	433 020-0083 0	1	Lock nut 5	37	-610 410-0963 0	1	Housing, bearing
16	178 024-0963 0	1	Bracket, throttle	38	-900 513-0001 2	1	Nut 12 L-h
18	900 240-0502 8	1	Screw 5x28	39	-900 802-0600 1	2	Ball bearing 6001
19	178 110-0533 0	1	Screw	40	-610 315-0653 0	1	Spacer
20	178 010-0563 0	1	Throttle trigger	41	-900 702-0002 8	1	Circlip 28
21	178 043-0693 0	1	Spring	42	-610 310-0963 0	1	Shaft, P.T.O.
24*	351 600-0963 0	1	Handle	43	-900 305-3000 6	1	Pin 3x6
2	-900 600-0000 6	1	Washer 6	44	-610 313-0963 0	1	Plate, adapter, U
25	-900 525-0000 6	1	Wing nut 6	48	895 410-0963 0	1	Wrench 8x19, w/s. driver
26	-900 100-0604 0	1	Bolt 6x40	49	895 015-0963 0	1	Spanner
27	890 160-2663 0	1	Decal, caution	45	Nonavailable	1	Cap, P.T.O. shaft
.	699 000-0963 0	1	Shield ass'y (GT-160AE)	6	Nonavailable	1	Cap, housing

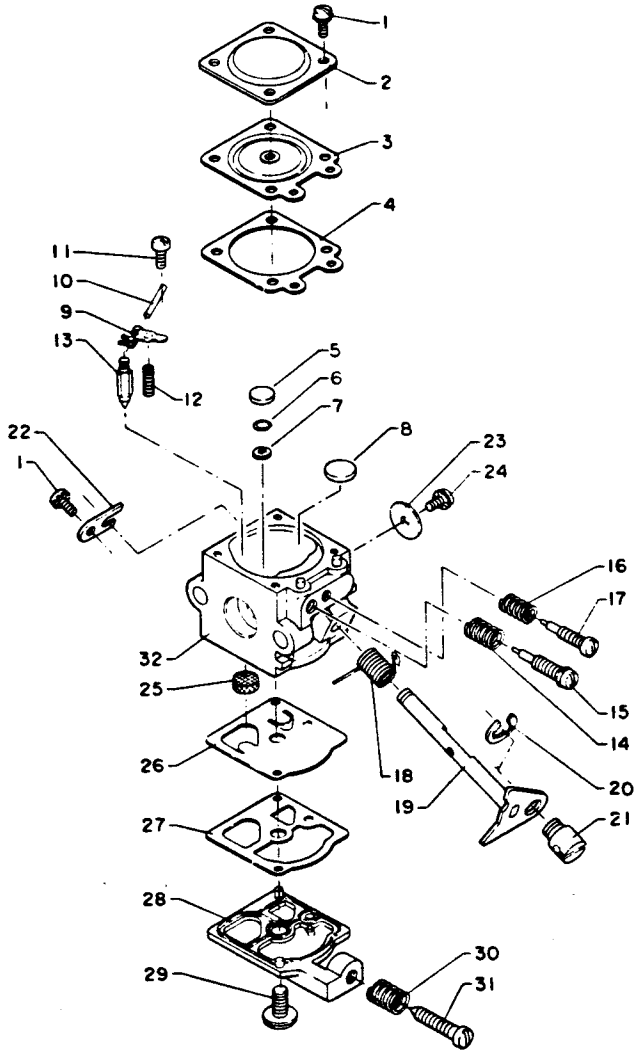
Remarks:

24*: Includes 2, 25 and 26.

*: Consists of 2, 14, 25 and 28 thru 33.

** : Consists of 35 thru 45.

GT-160AE 6

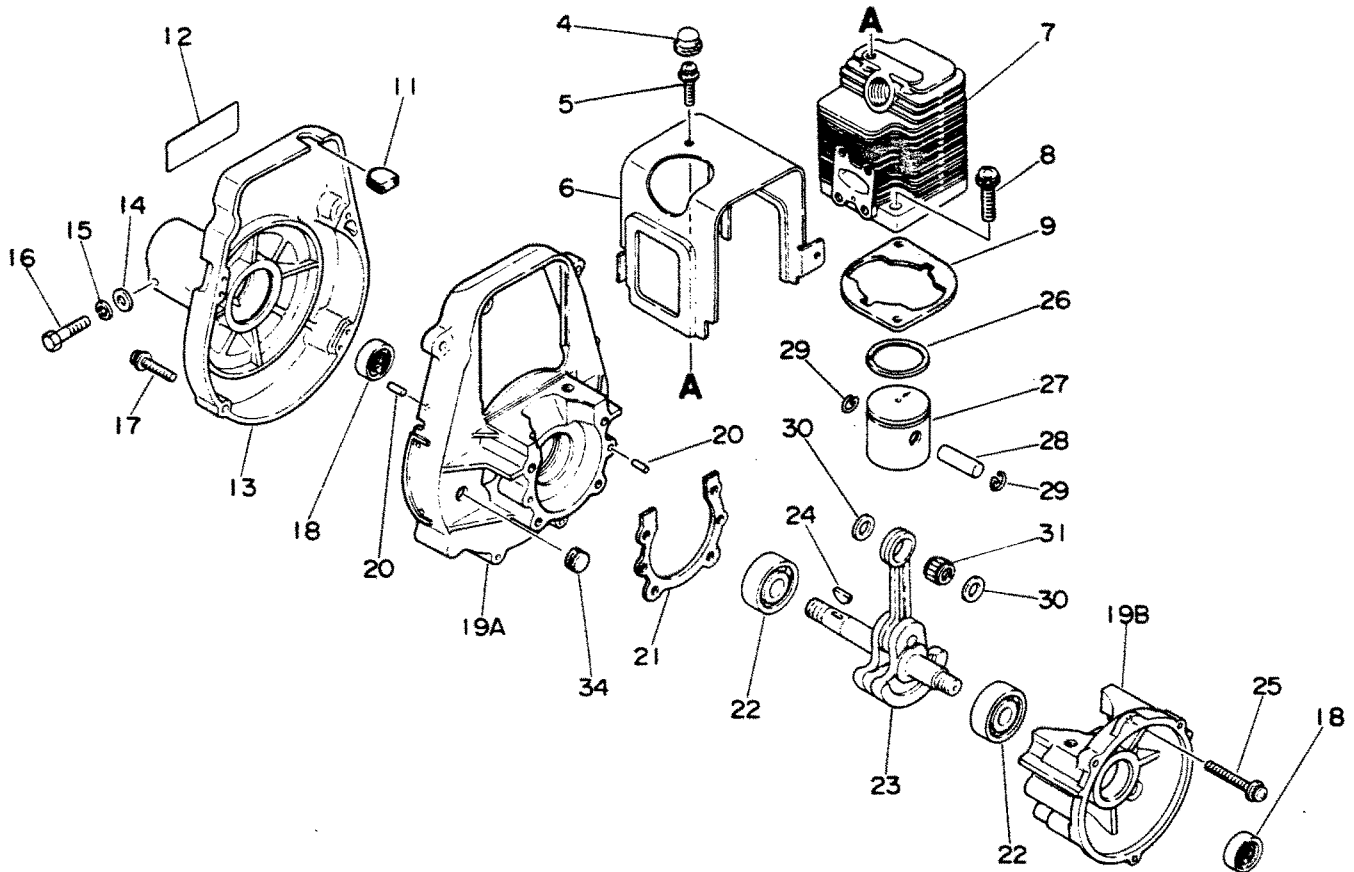


Key No.	Part No.	Q'ty	Description
6-20	-123 127-1063 0	1	Retaining, spring
21	-123 172-0432 0	1	Swivel
22	-123 127-0393 0	1	Clip, throttle shaft
23	-123 116-0653 0	1	Valve, throttle
24	-123 114-0393 0	1	Screw, thrt. valve
25	-123 126-1063 1	1	Screen, inlet
26	-123 112-1503 0	1	Pump diaphragm
27	-123 125-0922 0	1	Gasket, fuel pump
28	-123 124-0922 0	1	Cover, fuel pump
29	-123 110-0393 0	1	Screw, pump cover
30	-123 133-0632 0	1	Spring, idle adjust
31	-123 134-0632 0	1	Screw, idle adjst.
32	- Unavailable	1	Body ass'y

Remarks: * Consists of 1 thru 32

GT-160AE

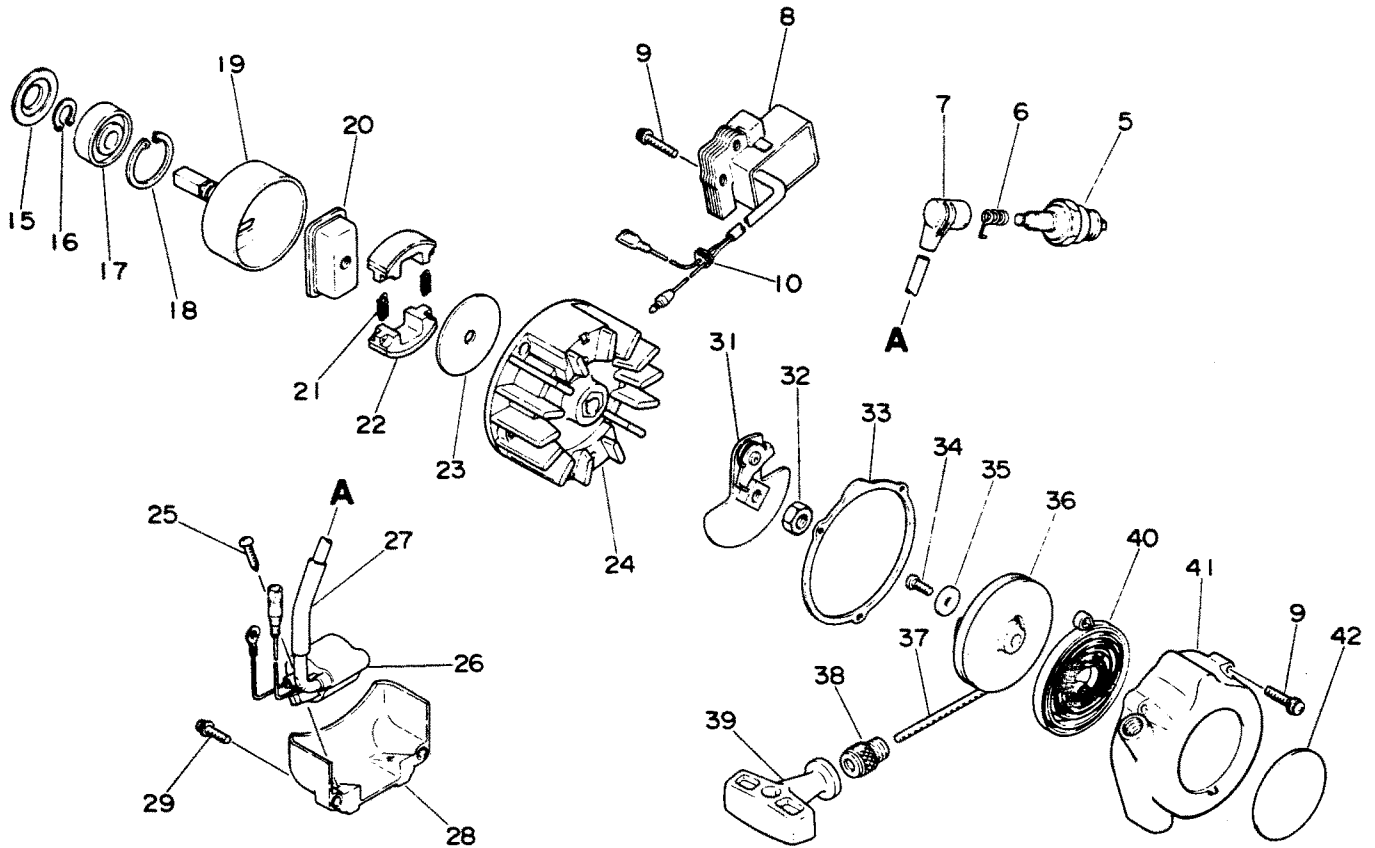
Key No.	Part No.	Q'ty	Description
6 *	-123 000 0922 0	1	Carburetor WA 138A
1	-123 144-0393 0	5	Screw
2	-123 142-0393 0	1	Cover, m. diaphragm
3	-123 141-0393 0	1	Diaphragm, meterring
4	-123 140-0653 0	1	Gasket, m. diaphragm
5	-123 145-1633 0	1	Plug, welch
6	-123 169-1063 0	1	Ring, retaining
7	-123 168-1063 1	1	Screen
8	-123 146-1063 0	1	Plug, welch
9	-123 123-0393 0	1	Lever, merering
10	-123 138-0393 0	1	Pin, metering lever
11	-123 139-0393 0	1	Screw, m. lever pin
12	-123 122-0653 0	1	Spring, meter. lever
13	-123 137-0393 0	1	Valve, inlet needle
14	-123 119-2213 0	1	Spring, h. s. needle
15	-123 120-0076 0	1	Needle, high speed
16	-123 121-0393 0	1	Spring, needle
17	-123 118-0922 0	1	Needle, idle
18	-123 113-0393 0	1	Spring, thrt. return
19	-123 117-0922 0	1	Shaft, throttle



Key No.	Part Number	Q'ty	Description	Key No.	Part Number	Q'ty	Description
1- 4	880 516-0922 0	1	Cap. screw	1-20	-100 215-0393 0	4	Knock pin
5	900 242-0501 0	1	Screw 5 x10	21	100 242-0492 0	1	Gasket, crankcase
6	101 514-0932 0	1	Cover, cylinder	22	900 810-3620 1	2	Ball bearing
7	101 011-0932 0	1	Cylinder	23	100 100-0742 0	1	Crankshaft ass'y
8	900 242-0602 0	2	Screw 6 x 20	24	100 142-0031 0	1	Key
9	101 010-0492 0	1	Gasket, cyl.	25	900 242-0503 0	4	Screw 5 x 30
11	101 538-0742 0	1	Plug	26	100 011-0533 0	1	Piston ring
12	890 115-2673 0	1	Decal, model	27	100 010-0652 0	1	Piston
13	101 511-0973 0	1	Fan cover	28	100 013-1021 0	1	Piston pin
14	900 600-0000 5	1	Washer 5	29	100 015-0463 0	2	Circlip, piston pin
15	900 605-0000 5	1	Spring washer 5	30	100 014-0652 0	2	Spacer, piston pin
16	900 151-0502 5	1	Bolt 5 x 25	31	100 113-0593 0	1	Roller bearing
17	900 242-0402 0	4	Screw 4 x 20	34	100 223-0732 0	1	Plug
18	100 213-0553 0	2	Oilseal				
19	100 200-0742 0	1	Crankcase set				

Remarks:
19 Includes 20

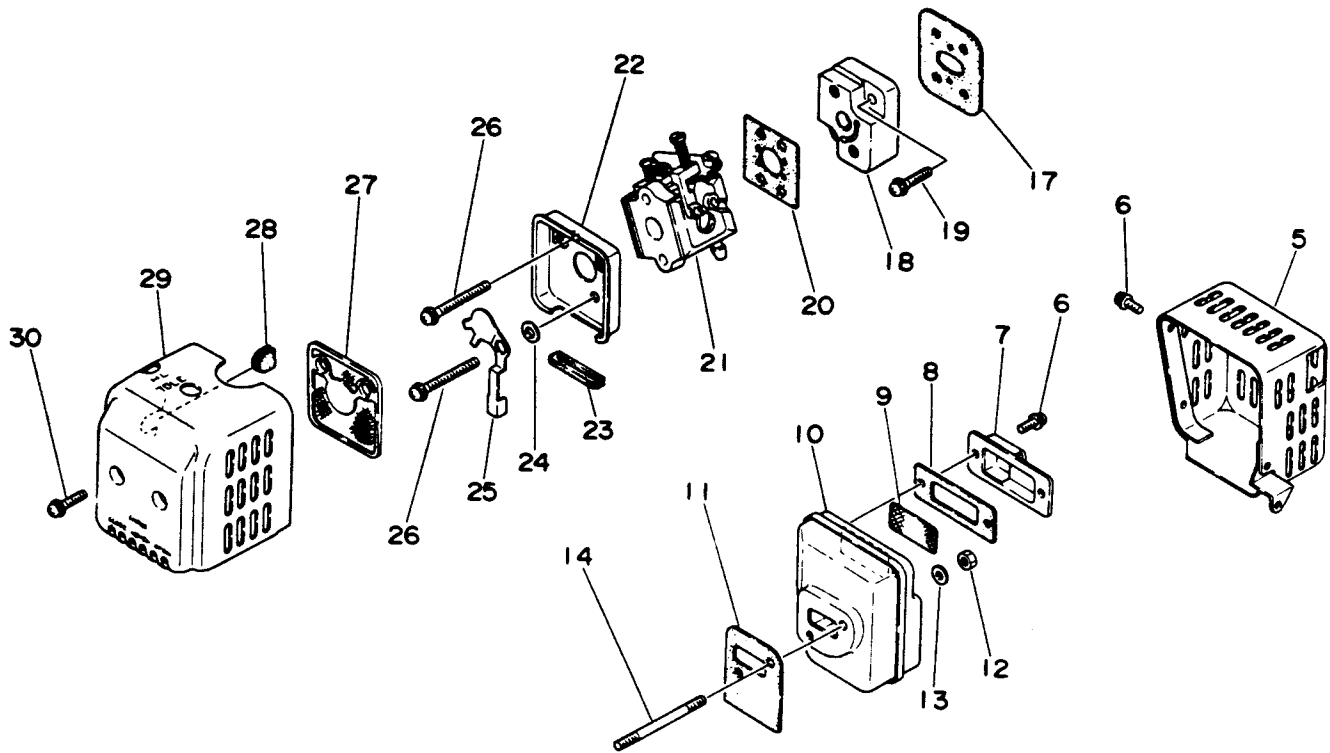
GT-200BE 2



Key No.	Part Number	Q'ty	Description	Key No.	Part Number	Q'ty	Description
2-5	159 026-0393 0	1	Spark plug (CJ-8)	2-29	900 242-0401 4	2	Screw 4 x 14
6	159 011-0343 2	1	Coil spring	31	177 305-0492 0	1	Ratchet ass'y
7	159 012-0343 3	1	Cap, spark plug	32	900 502-0000 8	1	Nut 8
8	156 601-0742 1	1	Module	33	100 615-0492 0	1	Gasket, starter
9	900 242-0402 0	5	Screw 4 x 20	*	177 200-0742 0	1	Starter ass'y
10	156 114-0231 0	1	Grommet	34	-900 241-0401 0	1	Screw 4 x 10
15	175 053-0492 0	1	Stopper	35	-177 214-2043 0	1	Washer
16	900 701-0001 2	1	Circlip 12	36	-177 215-0492 0	1	Recoil drum
17	900 819-0620 1	1	Ball bearing	37	-177 226-0653 0	1	Starter rope
18	900 702-0003 2	1	Circlip 32	38	-177 227-0533 0	1	Rope guide
19	175 010-0492 0	1	Clutch case	39	-177 228-0653 0	1	Starter glip
20	175 016-0492 0	1	Clutch boss	40	-177 220-0653 0	1	Rewind spring
21	175 018-0513 0	2	Clutch spring	41	-177 209-0742 0	1	Starter case
22	175 009-0513 0	2	Clutch shoe	42	890 112-2673 0	1	Decal, ECHO
23	175 019-0492 0	1	Side plate				
24	156 800-0742 0	1	Flywheel				
25	900 249-0401 6	2	Tapping screw				
26	156 626-0942 0	1	Ignition coil				
27	156 611-0942 0	1	Tube				
28	159 315-0942 0	1	Cover				

Remarks:

* Consists of 34 thru 41

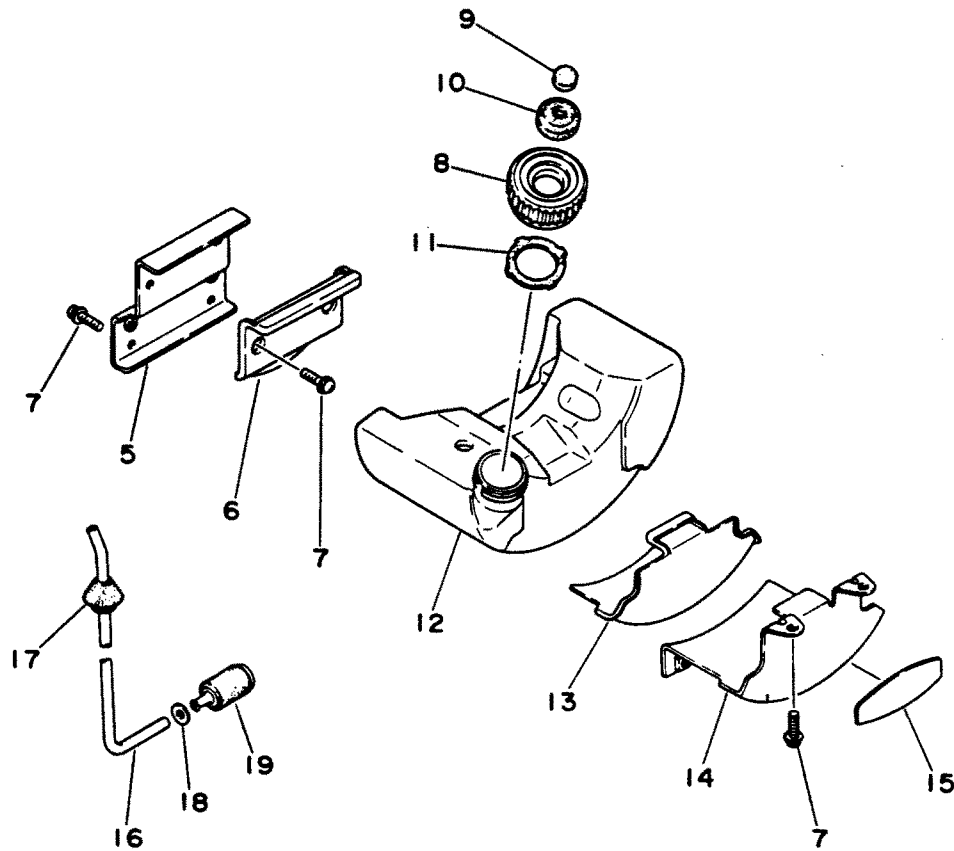


Key No.	Part Number	Q'ty	Description	Key No.	Part Number	Q'ty	Description
3- *	145 803-0922 0	1	Muffler ass'y	3-19	900 243-0502 0	2	Screw 5x20
5	-145 871-0922 0	1	Cover, muffler	20	130 016-0922 0	1	Gasket, carburetor
6	-900 242-0401 0	4	Screw 4x10	21	123 000-0922 0 (GT-160AE)	1	Carburetor WA 138A
7	145 209-0652 0	1	Screen holder	21	123 000-0932 0 (GT-200BE)	1	Carburetor WA 143
8	-145 866-0922 0	1	Gasket				
9	-145 862-0922 0	1	Screen	22	130 301-0922 0	1	Case, air cleaner
10	-145 806-0922 0	1	Muffler	23	-178 810-2163 0	1	Grommet
11	-145 510-0922 0	1	Gasket, muffler	24	178 516-0083 0	1	Spacer
12	433 020-0083 0	2	Lock nut 5	25	178 515-0922 0	1	Choke shutter
13	900 603-0000 5	2	Washer 5	26	900 242-0504 0	2	Screw 5x40
14	101 014-0056 0	2	Stud, muffler	27	130 310-0653 0	1	Air filter
17	130 010-0922 0	1	Gasket	28	101 538-0742 0	1	Plug
18	130 007-0922 0 (GT-160AE)	1	Insulator	29	130 308-0922 0	1	Cover, air cleaner
18	130 007-0932 0 (GT-200BE)	1	Insulator	30	900 242-0401 8	2	Screw 4x18

Remarks:

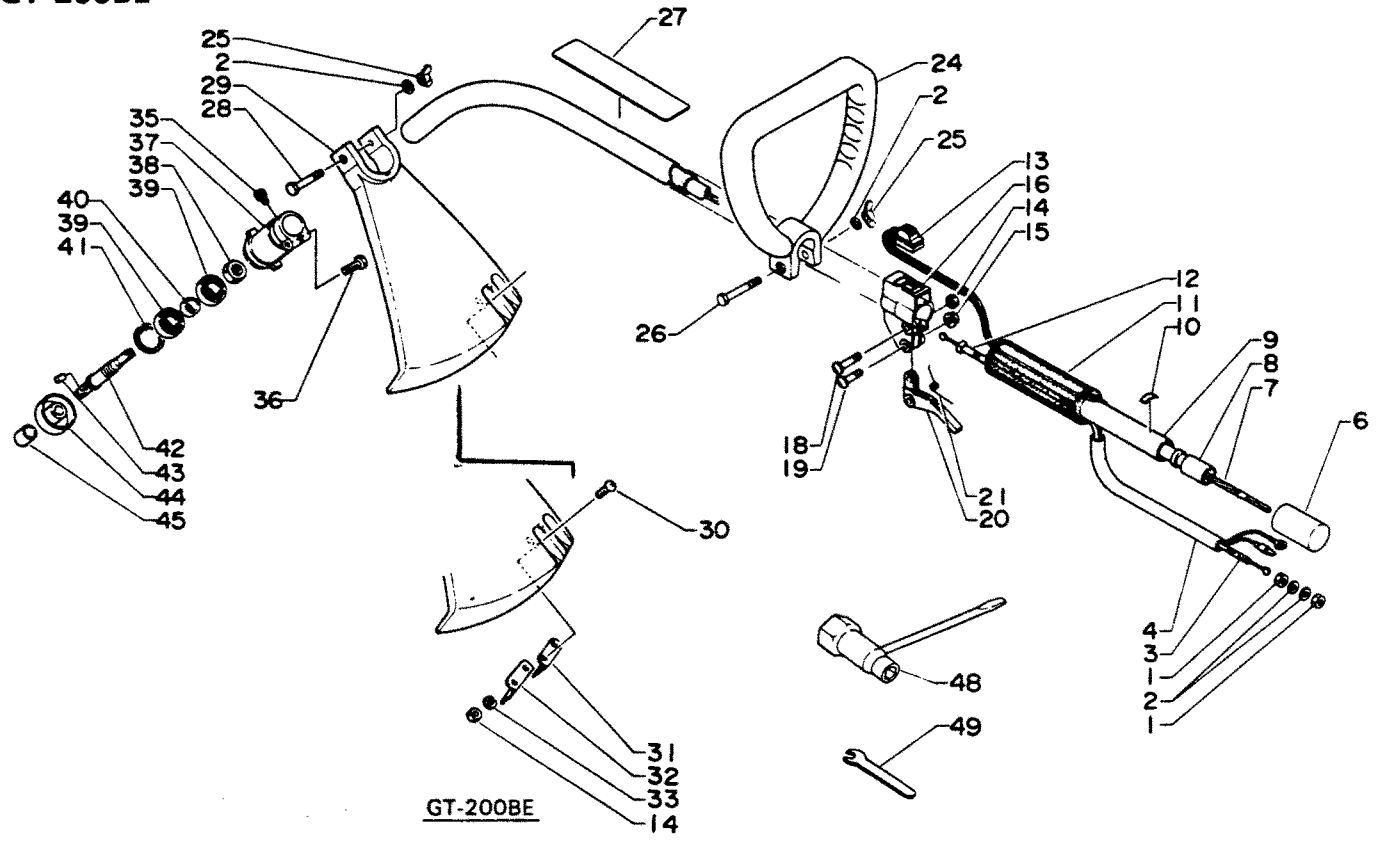
* Consists of 5 thru 11

22 Includes 23



Key No.	Part Number	Q'ty	Description	Key No.	Part Number	Q'ty	Description
4	5	1	Bracket, fuel tank	4-15	890 118-2403 0	1	Decal, ECHO
6	131 920-0922 0	1	Cushion, fuel tank	16	132 010-0922 0	1	Fuel pipe (3x6x135)
7	900 242-0401 4	6	Screw 4x14	17	132 115-0492 0	1	Grommet
8	131 004-0632 0	1	Cap ass'y, f. tnk	18	900 603-0000 5	1	Washer 5
9	-131 315-0502 0	1	Filter	19	131 200-2133 0	1	Fuel strainer
10	-131 314-0632 0	1	Check valve	Remark: 8 Includes 9			
11	-131 016-0492 0	1	Gasket, f. tank cap				
12	131 010-0922 0	1	Fuel tank				
13	131 924-0922 0	1	Cushion				
14	131 918-0922 0	1	Bracket, fuel tank				

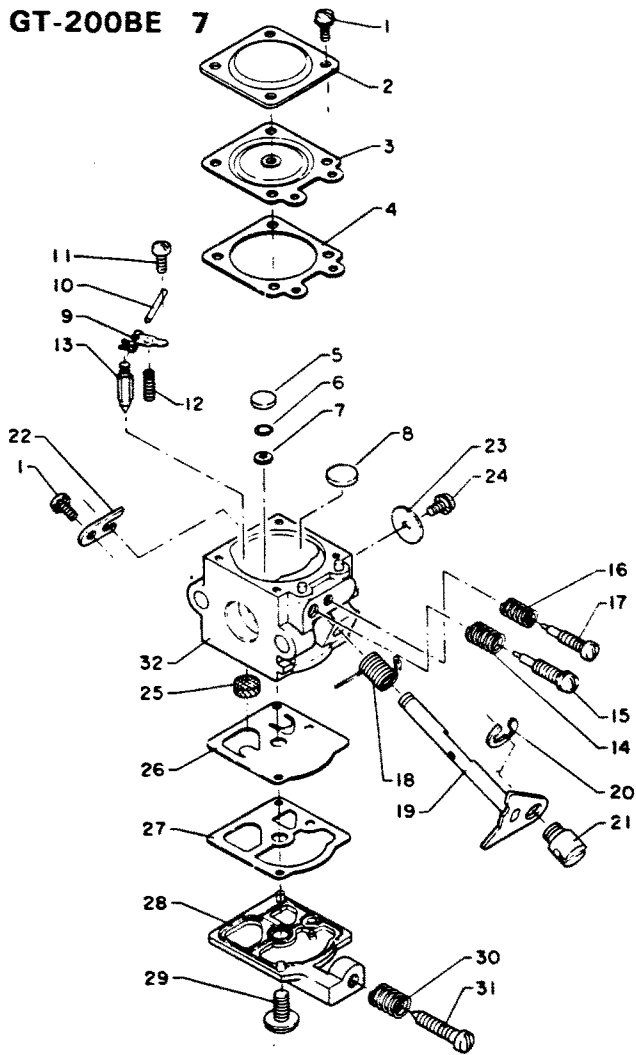
GT-200BE 5



Key No.	Part Number	Q'ty	Description	Key No.	Part Number	Q'ty	Description
5- 1	900 502-0000 6	2	Nut 6	5- 2	-900 600-0000 6	1	Washer 6
2	900 600-0000 6	2	Washer 6	14	-900 500-0000 5	2	Nut 5
3	178 001-0963 0	1	Throttle cable	25	-900 525-0000 6	1	Wing nut 6
4	178 127-0963 0	1	Tube	28	-900 100-0605 0	1	Bolt 6x50
7	610 013-0963 0	1	Shaft, drive	29	-699 010-0963 0	1	Shield
8	610 217-0963 0	1	Bush	30	-900 240-0501 4	2	Screw 5x14
9	610 210-0963 0	1	Housing, drive shaft	31	-699 016-0632 0	1	Cutter
10	990 152-0493 0	1	Decal, guide	32	-699 212-0963 0	1	Guard
11	351 111-0963 0	1	Grip	33	-900 605-0000 5	2	Spring washer 5
12	178 048-0563 0	1	Spacer	**	610 400-0963 0	1	Housing ass'y, bearing
13	163 400-0963 0	1	Switch	35	-900 242-0401 0	1	Screw 4x10
14	900 500-0000 5	1	Nut 5	36	-900 152-0502 5	1	Bolt 5x25
15	433 020-0083 0	1	Lock nut 5	37	-610 410-0963 0	1	Housing, bearing
16	178 024-0963 0	1	Bracket, throttle	38	-900 513-0001 2	1	Nut 12 L-h
18	900 240-0502 8	1	Screw 5x28	39	-900 802-0600 1	2	Ball bearing 6001
19	178 110-0533 0	1	Screw	40	-610 315-0653 0	1	Spacer
20	178 010-0563 0	1	Throttle trigger	41	-900 702-0002 8	1	Circlip 28
21	178 043-0693 0	1	Spring	42	-610 310-0963 0	1	Shaft, P.T.O.
24*	351 600-0963 0	1	Handle	43	-900 305-3000 6	1	Pin 3x6
2	-900 600-0000 6	1	Washer 6	44	-610 313-0963 0	1	Plate, adapter, U
25	-900 525-0000 6	1	Wing nut 6	48	895 410-0963 0	1	Wrench 8x19, w/s. driver
26	-900 100-0604 0	1	Bolt 6x40	49	895 015-0963 0	1	Spanner
27	890 160-2663 0	1	Decal, caution	45	Nonavailable	1	Cap, P.T.O. shaft
*	699 000-0973 0	1	Shield ass'y (GT-200BE)	6	Nonavailable	1	Cap, housing

Remarks:
 24*: Includes 2, 25 and 26.
 *: Consists of 2, 14, 25 and 28 thru 33.
 **: Consists of 35 thru 45.

GT-200BE 7



GT-200BE

Key No.	Part No.	Q'ty	Description
7- *	123 000-0932 0	1	Carburetor WA 143
1	-123 144-0393 0	5	Screw
2	-123 142-0393 0	1	Cover, m. diaphragm
3	-123 141-0393 0	1	Diaphragm, metering
4	-123 140-0653 0	1	Gasket, m. diaphragm
5	-123 145-1633 0	1	Plug, welch
6	-123 169-1063 0	1	Ring, retaining
7	-123 168-1063 1	1	Screen
8	-123 146-1063 0	1	Plug, welch
9	-123 123-0393 0	1	Lever, merering
10	-123 138-0393 0	1	Pin, metering lever
11	-123 139-0393 0	1	Screw, m. lever pin
12	-123 122-0393 0	1	Spring, meter. lever
13	-123 137-0393 0	1	Valve, inlet needle
14	-123 119-0393 0	1	Spring, h. s. needle
15	-123 120-0076 0	1	Needle, high speed
16	-123 121-0393 0	1	Spring, needle
17	-123 118-2443 0	1	Needle, idle
18	-123 113-0393 0	1	Spring, thrt. return
19	-123 117-0932 0	1	Shaft, throttle
20	-123 127-1063 0	1	Retaining, spring
21	-123 172-0432 0	1	Swivel
22	-123 127-0393 0	1	Clip, throttle shaft
23	-123 116-0523 0	1	Valve, throttle
24	-123 114-0393 0	1	Screw, thrt. valve
25	-123 126-1063 1	1	Screen, inlet
26	-123 112-1503 0	1	Pump diaphragm
27	-123 125-1503 0	1	Gasket, pump
28	-123 124-1653 0	1	Cover, fuel pump
29	-123 110-0393 0	1	Screw, pump cover
30	-123 133-1113 0	1	Spring, idle adjust
31	-123 134-0653 0	1	Screw, idle adjst.
32	- Unavailable	1	Body ass'y

Remarks: * Consists of 1 thru 32