



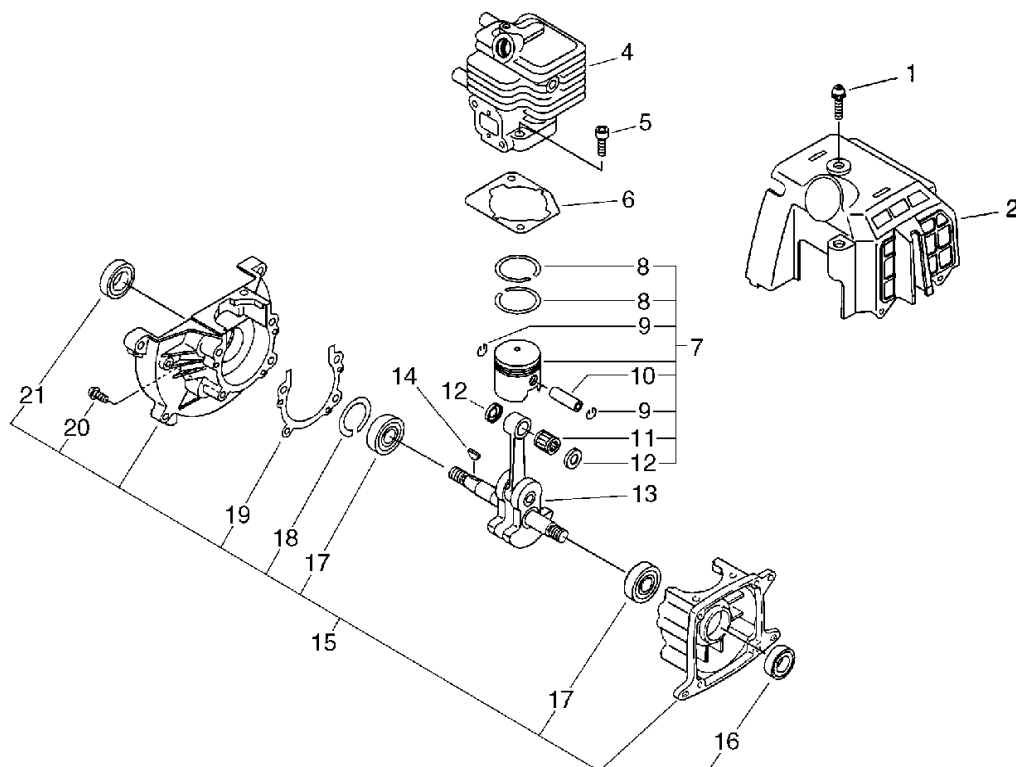
PARTS CATALOG

POWER SPRAYER SHPE-800P(6digits)



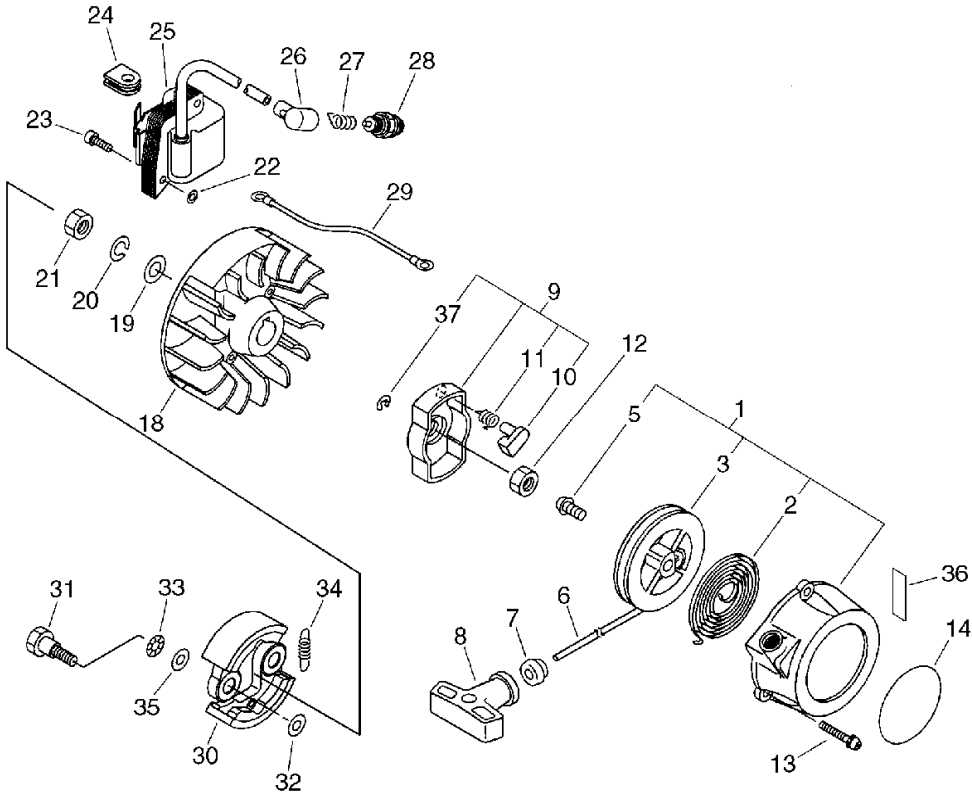
SHPE-800P(6digits)

1. Cylinder, Crankcase, Piston



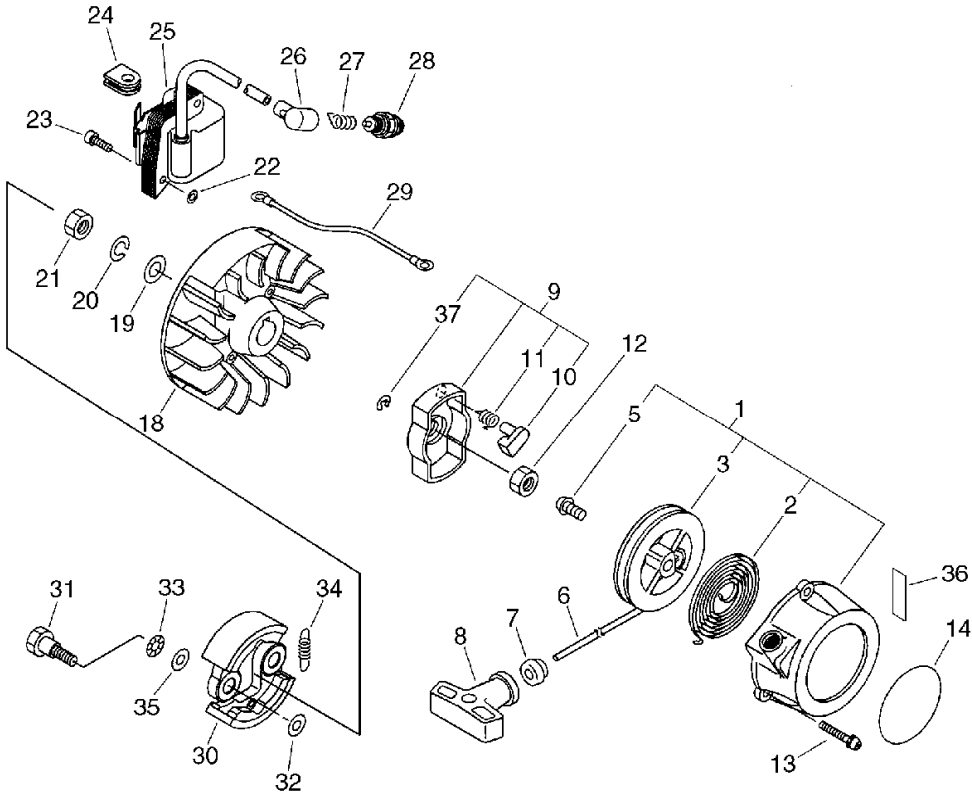
KEY	LV	PART NUMBER	Q'TY	DESCRIPTION	REMARKS	NOTE1	NOTE2
1		900 242-0501 4	1	SCREW 5*14			
2		A160-000030	1	COVER,CYLINDER			
3		V353-000020	1	COLLAR,5	12*5.5*4.5L		
4		101 011-6123 0	1	CYLINDER			
5		900 162-0502 2	2	BOLT, H.S. 5*22			
6		101 010-5593 0	1	GASKET, CYL. BASE			
7		100 000-5593 2	1	PISTON KIT		Sus. by P021-014440	
8	+	100 011-0533 0	2	RING, PISTON			
9	+	100 015-0463 0	2	CIRCLIP, PISTON PIN			
10	+	100 013-2233 0	1	PIN, PISTON			
11	+	V553-000020	1	BEARING,NEEDLE 8	KBK8X11X8.8X4		
12	+	100 014-5593 0	2	SPACER, PISTON PIN			
13		100 100-5593 0	1	CRANKSHAFT ASSY			
14		100 142-1233 0	1	KEY, WOODRUFF			
15		100 204-5703 1	1	CRANKCASE KIT			
16	+	100 213-0553 0	1	OILSEAL			
17	+	900 800-3600 1	2	BEARING, BALL 6001			
18	+	900 702-0002 8	1	CIRCLIP 28			
19	+	100 242-5593 0	1	GASKET, CRANKCASE			
20	+	900 242-0502 5	4	SCREW 5*25			
21	+	100 212-2823 0	1	OILSEAL ISCD 12*28*7			

2. Starter, Magneto, Clutch



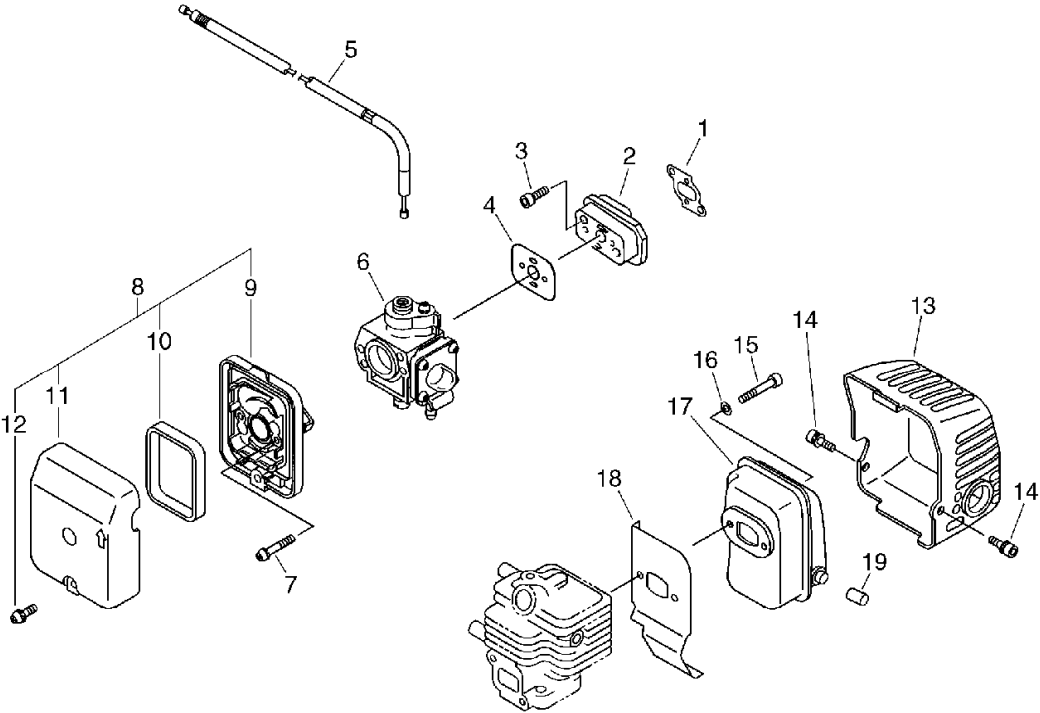
KEY	LV	PART NUMBER	Q'TY	DESCRIPTION	REMARKS	NOTE1	NOTE2
1		177 200-5593	1	STARTER ASY			
2	+	177 220-4063	0	SPRING, REWIND			
3	+	177 215-4063	0	DRUM, STARTER			
5	+	177 236-4433	0	SCREW			
6	+	177 226-0393	0	ROPE, STARTER			
7	+	177 227-4203	0	GUIDE, ROPE			
8	+	177 228-2703	0	GRIP, STARTER			
9		177 202-4063	0	PAWL ASSY, STARTER			
10	+	177 218-4063	0	PAWL, STARTER			
11	+	177 234-4063	0	SPRING, RETURN			
37	+	900 700-0000	4	E-RING 4			
12		900 502-0000	8	NUT 8 (3N)			
13		900 239-0401	4	SCREW 4*14			
14		890 053-5623	0	LABEL, KIORITZ 47MM			
18		152 801-5653	0	ROTOR, MAGNETO			
19		900 600-0000	8	WASHER 8			
20		900 605-0000	8	WASHER, SPRING 8			
21		900 502-0000	8	NUT 8 (3N)			
22		150 117-0913	0	SPACER			
23		900 162-0402	2	BOLT, H.S. 4*22		Sus. by 91128-04022	
23		91128-04022	2	BOLT HSH	CM-4*22		
24		156 112-2823	0	GROMMET		Sus. by 156 112-4063 0	
24		156 112-4063	0	GROMMET			
25		152 626-5593	2	COIL, IGNITION			

2. Starter, Magneto, Clutch



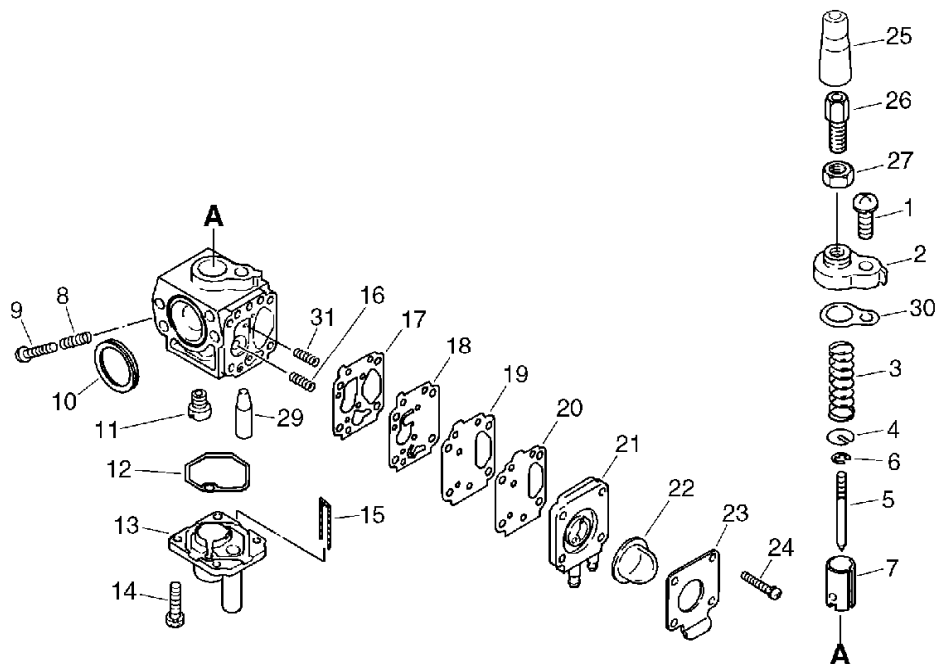
KEY	LV	PART NUMBER	Q'TY	DESCRIPTION	REMARKS	NOTE1	NOTE2
26		159 012-0343 3	1	CAP, SPARK PLUG			
27		159 011-0343 2	1	COIL, SPARK PLUG			
28		159 010-1963 0	1	PLUG, SPARK (BPM-7Y)			
29		162 010-5543 0	1	LEAD			
30		175 009-5593 0	2	SHOE, CLUTCH		Sus. by 175 009-5593 1	
30		175 009-5593 1	2	SHOE, CLUTCH			
31		175 046-5603 0	2	SHAFT, CLUTCH			
32		V304-000010	2	WASHER,CIRCULAR 6	6*18*1.2		
33		175 049-5603 0	2	WASHER			
34		V451-000040	1	SPRING,TENSION	5.9KGF		
35		V306-000020	2	WASHER,CIRCULAR 8	8.2*17*0.2		
36		890 160-0636 1	1	LABEL, CAUTION		Sus. by X505-002310	

3. Air Cleaner, Muffler



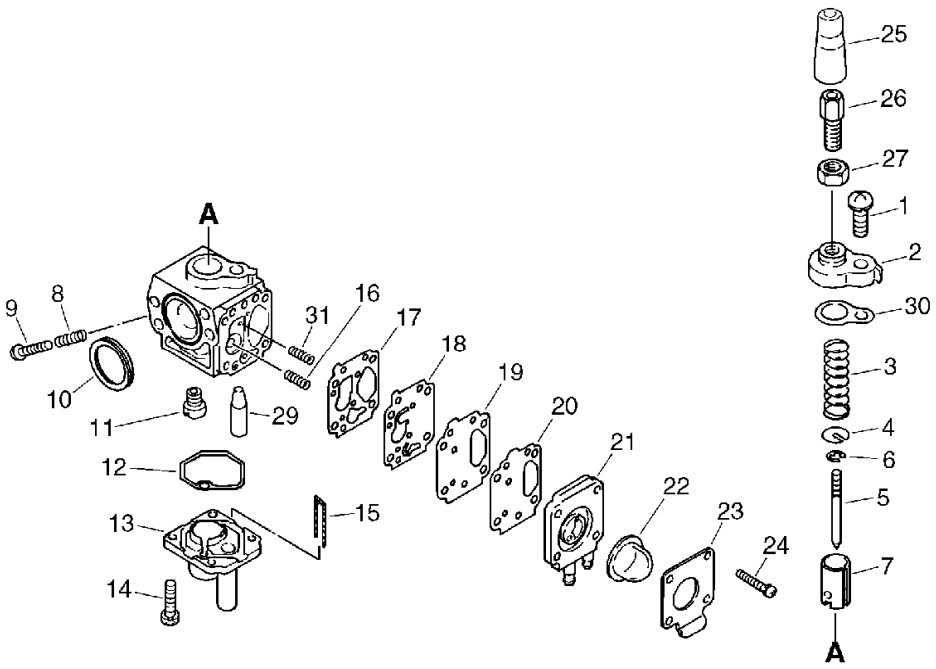
KEY	LV	PART NUMBER	Q'TY	DESCRIPTION	REMARKS	NOTE1	NOTE2
1		130 010-5593 0	1	GASKET, INTAKE			
2		130 017-5643 1	1	INSULATOR			
3		900 162-0502 5	2	BOLT, H.S. 5*25			
4		130 010-5633 0	1	GASKET, INTAKE			
5		706 130-0523 0	1	THROTTLE WIRE			
6		124 200-1322 0	1	CARBURETOR			
7		900 242-0505 0	2	SCREW 5*50			
8		130 300-1341 1	1	CLEANER ASM., AIR			
9	+	130 307-1341 0	1	CASE, AIR CLEANER			
10	+	130 310-1341 0	1	FILTER, AIR			
11	+	130 308-1341 0	1	COVER, AIR CLEANER			
12	+	900 238-0501 6	1	SCREW 5*16			
13		145 621-5653 0	1	COVER, MUFFLER			
14		900 106-0500 8	2	BOLT, H.S. 5* 8			
15		900 105-0505 5	2	BOLT, H.S. 5*55			
16		900 600-0000 5	2	WASHER 5			
17		145 610-6263 0	1	MUFFLER			
18		145 510-5593 2	1	GASKET, MUFFLER			
19		G231-000021	1	PIPE,EXHAUST			

4. Carburetor



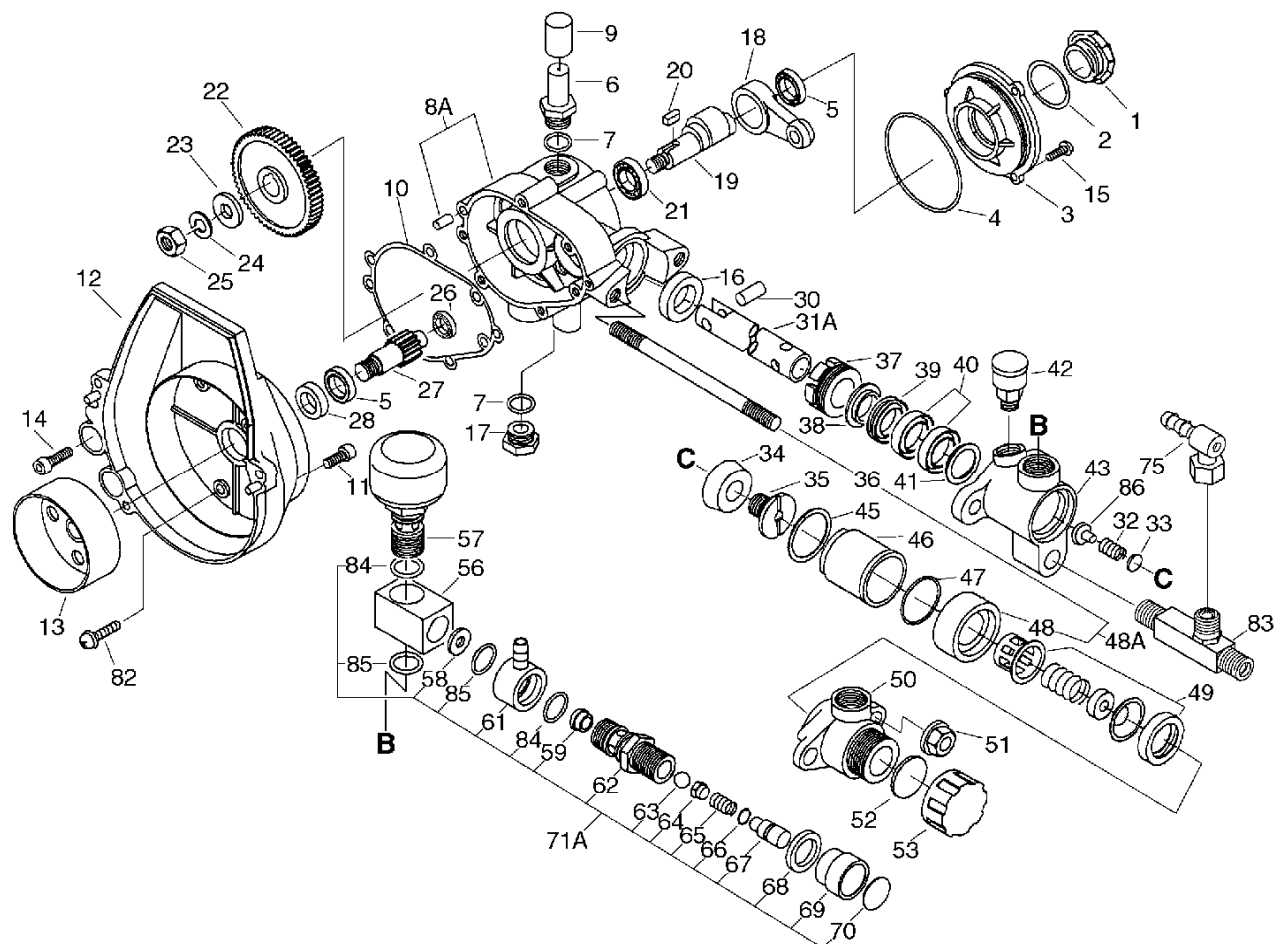
KEY	LV	PART NUMBER	Q'TY	DESCRIPTION	REMARKS	NOTE1	NOTE2
		124 200-1322 0	1	CARBURETOR			
1	+	900 241-0501 6	1	SCREW 5*16 (W/W,SW)			
2	+	124 113-1341 0	1	COVER, TOP			
3	+	124 114-0553 0	1	SPRING, THROTTLE			
4	+	124 115-0553 0	1	SEAT, SPRING			
5	+	124 317-4993 0	1	NEEDLE, JET			
6	+	124 116-0553 0	1	E-RING			
7	+	124 318-5703 0	1	VALVE, THROTTLE			
8	+	124 160-1112 0	1	SPRING, IDLE ADJUST			
9	+	124 129-1341 0	1	SCREW			
10	+	124 149-1341 0	1	GASKET, FRANGE			
11	+	124 122-1531 0	1	JET, MAIN			
12	+	124 123-1341 0	1	GASKET, CHAMBER			
13	+	124 124-1341 0	1	CHAMBER, FLOAT			
14	+	900 241-0301 0	4	SCREW 3*10 (W/SW)			
15	+	124 182-1341 0	1	WIRE, DRAIN			
16	+	124 355-5013 0	1	SPRING, ADJUSTMENT			
17	+	124 361-1271 0	1	GASKET			
18	+	124 364-1271 0	1	DIAPHRAGM, FUEL PUMP			
19	+	124 362-1271 0	1	PLATE,PUMP			
20	+	124 363-1271 0	1	GASKET, FUEL PUMP			
21	+	124 365-1341 0	1	COVER, PUMP			
22	+	124 380-1271 0	1	PUMP, PRIMING			
23	+	124 342-1271 0	1	PLATE, PUMP			
24	+	900 241-0301 4	4	SCREW 3*14 (W/SW)			
25	+	124 174-1341 0	1	CAP, RUBBER			

4. Carburetor



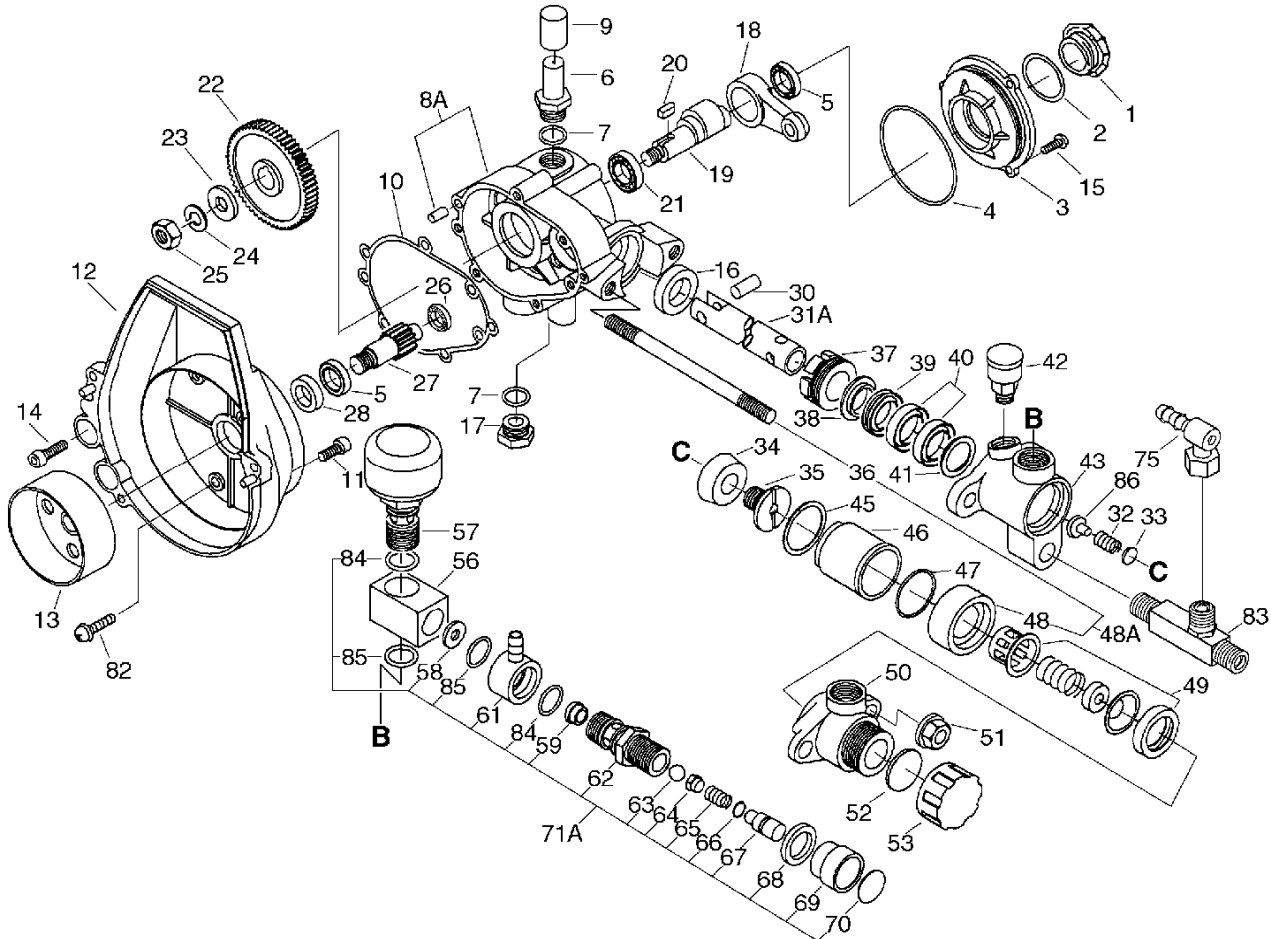
KEY	LV	PART NUMBER	Q'TY	DESCRIPTION	REMARKS	NOTE1	NOTE2
26	+	124 158-1341 1	1	ADJUSTER, CABLE			
27	+	124 111-0581 0	1	NUT			
29	+	124 162-1341 0	1	JET, NEEDLE			
30	+	124 172-1341 0	1	PACKING			
31	+	124 367-5423 0	1	SPRING, BACK UP			

5. Pressure Pump



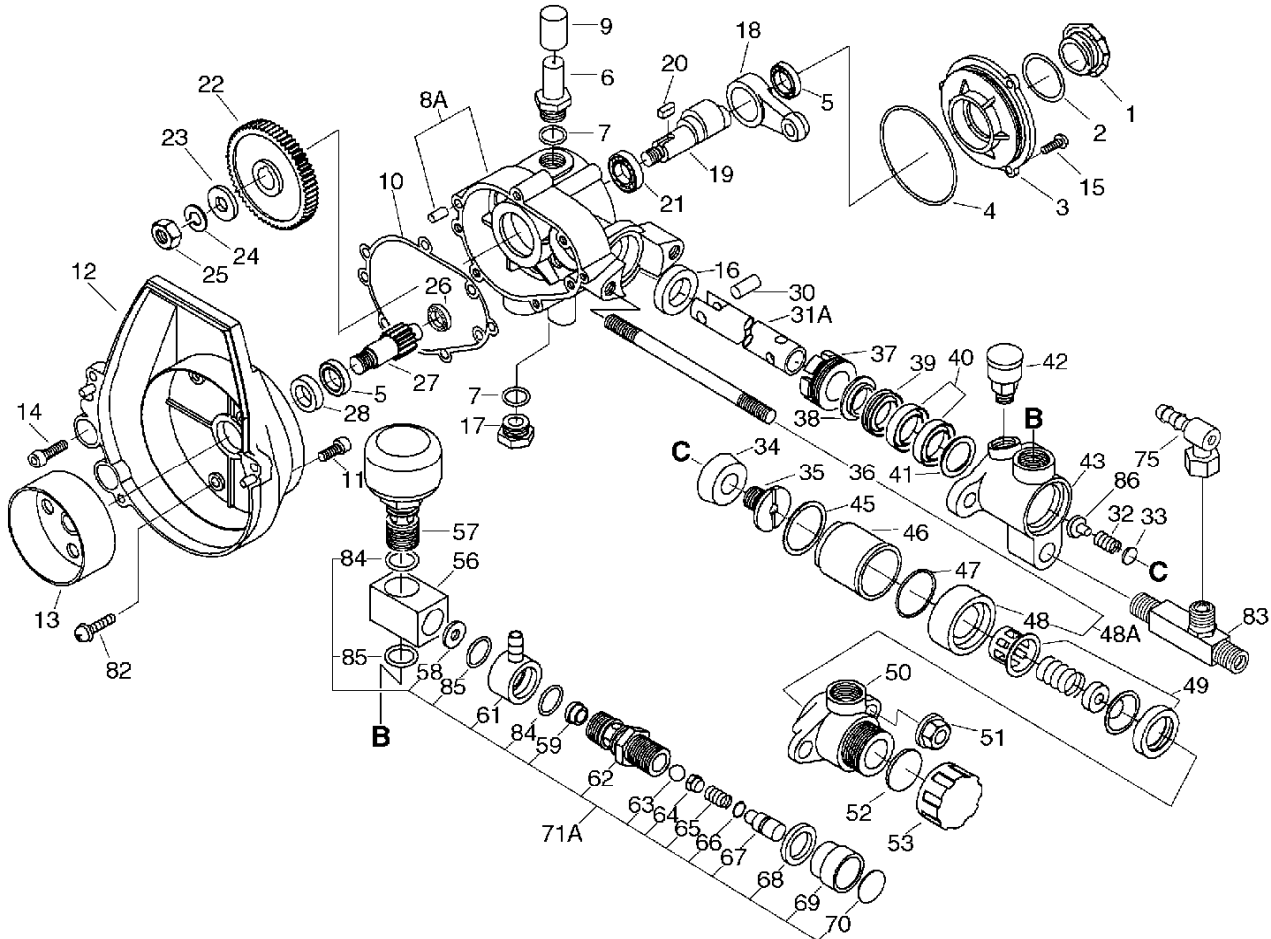
KEY	LV	PART NUMBER	Q'TY	DESCRIPTION	REMARKS	NOTE1	NOTE2
						Sus. by 707 150-0195 4	
1		706 150-0195 3	1	OIL GAUGE			
1		707 150-0195 4	1	OIL GAUGE			
2		706 150-0278 1	1	O-RING			
3		706 020-0374 2	1	GEAR CASE LID			
4		706 020-0497 0	1	O-RING			
5		900 800-0600 1	2	BEARING, BALL 6001		BB6001	
6		706 020-0692 0	1	OILING BOLT			
7		900 722-3011 2	2	O-RING			
8A		706 020-08A4 3	1	PUMP BODY W/PIN			
9		706 020-0997 0	1	CAP			
10		706 020-1070 0	1	GASKET			
11		900 162-0501 8	4	BOLT, H.S. 5*18			
12		706 020-1224 1	1	FAN COVER			
13		706 020-1325 0	1	CLUTCH DRUM			
14		900 162-0502 5	2	BOLT, H.S. 5*25			
15		900 242-0401 2	3	SCREW 4*12			
16		706 020-1697 0	1	OIL SEAL			
17		706 020-1792 0	1	DRAIN CAP			
18		706 020-1822 0	1	CONNECTING ROD			
19		706 020-1923 0	1	CRANK SHAFT			
20		706 020-2003 0	1	KEY			
21		900 810-0620 1	1	BEARING, BALL 6201			
22		706 020-2223 1	1	SPUR GEAR			
23		900 600-0000 8	1	WASHER 8			
24		900 605-0000 8	1	WASHER, SPRING 8			

5. Pressure Pump



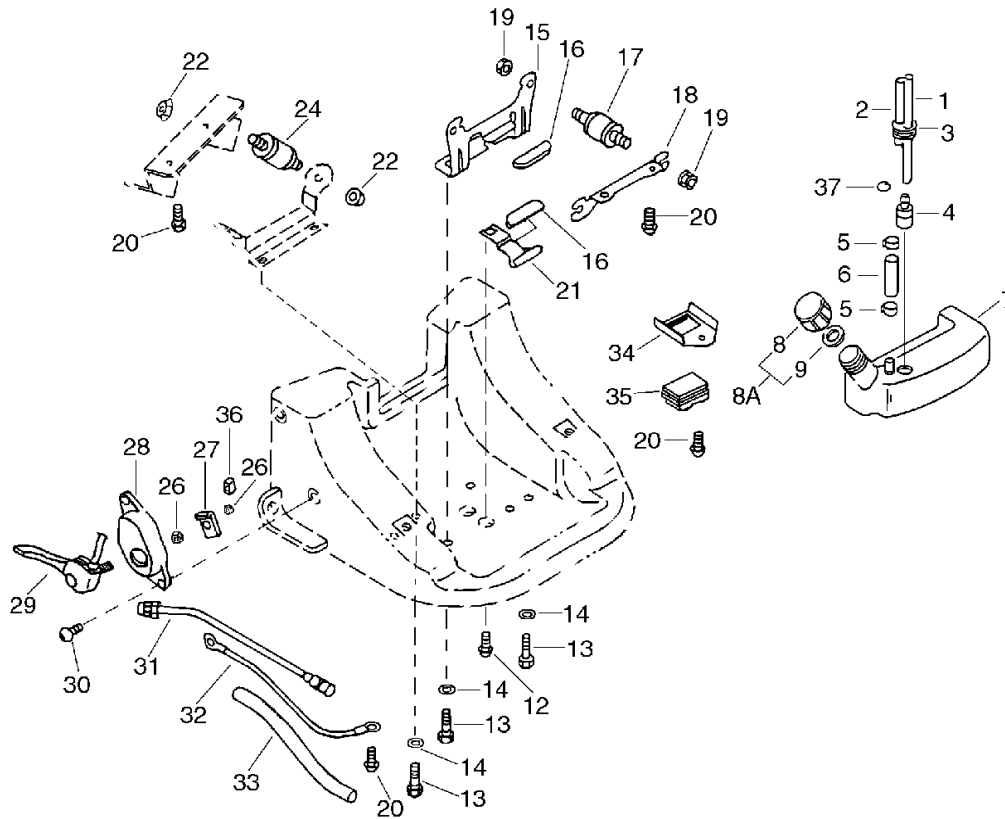
KEY	LV	PART NUMBER	Q'TY	DESCRIPTION	REMARKS	NOTE1	NOTE2
25		706 020-2595 0	1	NUT			
26		900 800-0060 9	1	BEARING, BALL 609			
27		706 020-2723 1	1	PINION SHAFT			
28		706 020-2897 0	1	OIL SEAL			
30		706 020-3023 0	1	PISTON PIN			
31A		706 020-31A1 3	1	PLUNGER W/SPRINGSEAT			
86	+	706 150-8606 0	1	SPRING SEAT			
32		706 020-3201 0	1	VALVE SPRING			
33		706 020-3371 0	1	DISK, VALVE			
34		706 020-3477 0	1	PISTON PACKING			
35		706 020-3591 1	1	VALVE SEAT			
37		706 020-3762 0	1	NUT GLAND			
38		706 020-3872 0	1	L-PACKING			
39		706 020-3972 0	1	GREASE RING			
40		706 020-4077 1	1	V-PACKING SET			
41		706 020-4172 0	1	ADAPTER			
42		706 020-4204 0	1	GREASE CUP			
43		706 020-4342 1	1	CYLINDER			
45		706 020-4678 0	1	PACKING			
46		706 020-4741 2	1	SLEEVE			
47		706 020-4897 0	1	O-RING			
48A		706 020-49A2 0	1	VALVE CASING ASY			
36	+	706 020-3695 1	2	STUD BOLT			
48	+	706 020-4982 1	1	VALVE CASING			
49		706 020-5000 0	1	VALVE ASSY			
50		706 M50-5052 0	1	CYLINDER HEAD			

5. Pressure Pump



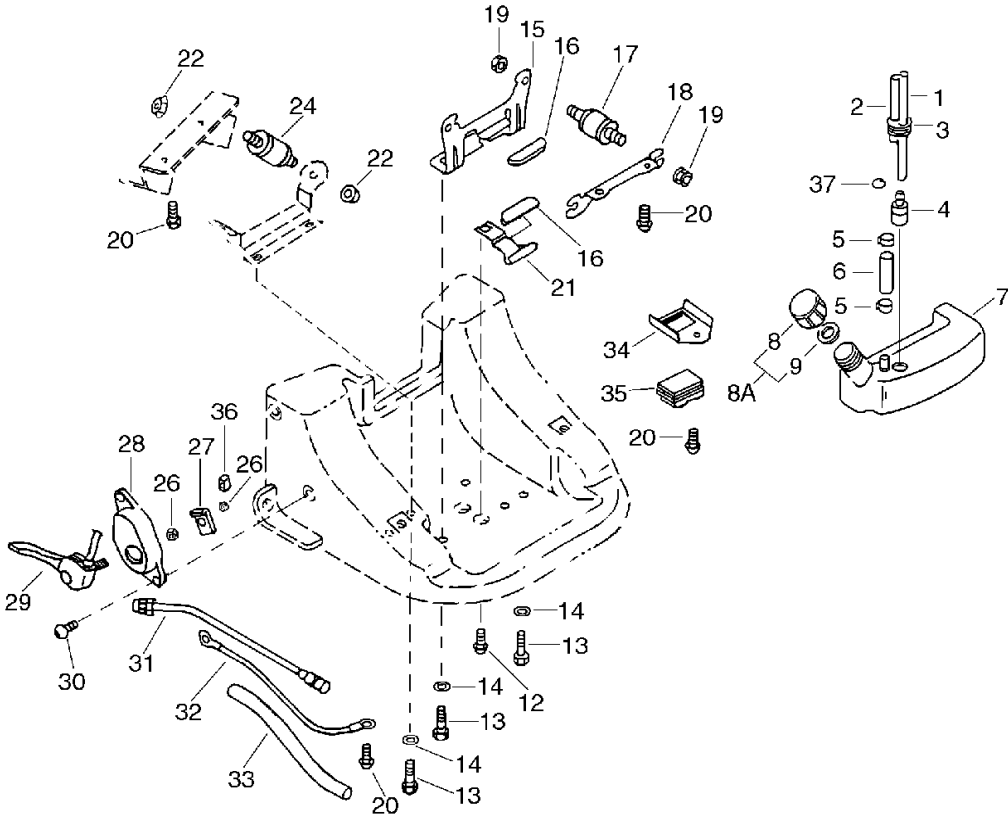
KEY	LV	PART NUMBER	Q'TY	DESCRIPTION	REMARKS	NOTE1	NOTE2
51		706 020-5295 0	2	NUT			
52		250 210-1161 0	1	GASKET DRAIN			
53		250 211-1161 0	1	CAP, DRAIN			
56		706 020-5562 1	1	CONNECTOR			
57		706 020-5641 1	1	AIR CHAMBER			
71A		706 020-60A2 2	1	REGULATOR ASY			
58	+	706 020-6176 0	1	WASHER			
59	+	706 020-6201 2	1	VALVE SEAT			
61	+	706 020-6462 0	1	VALVE CASING			
62	+	706 020-6562 1	1	SPRING CASING			
63	+	706 020-6601 1	1	BALL VALVE			
64	+	706 020-6782 0	1	SPRING SEAT			
65	+	706 020-6801 0	1	PRESSURE SPRING			
66	+	900 720-0000 7	1	O-RING 7			
67	+	706 020-7062 0	1	SPRING SEAT			
68	+	706 020-7192 0	1	LOCK NUT			
69	+	706 020-7292 0	1	REGULATOR CAP			
70	+	706 020-7309 1	1	REGULATOR LABEL			
84	+	900 720-0125 0	2	O-RING 12.5			
85	+	900 720-0001 6	2	O-RING 16			
82		900 242-0502 5	4	SCREW 5*25			
75		706 150-7572 0	1	JOINT, CONNECTOR			
83		706 150-8302 0	1	3-HEAD JOINT			

6. Fuel Tank



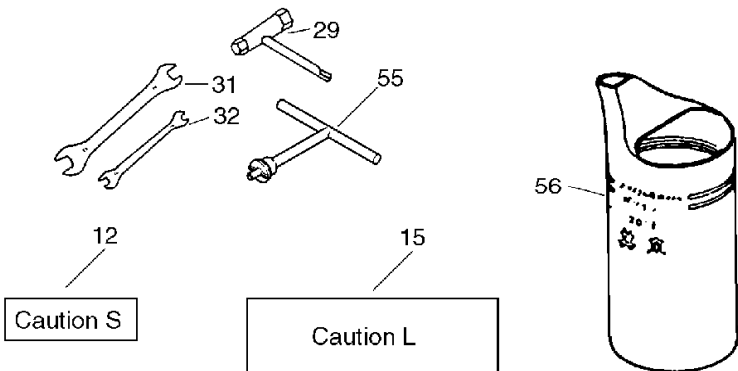
KEY	LV	PART NUMBER	Q'TY	DESCRIPTION	REMARKS	NOTE1	NOTE2
1		437 210-1513 0	1	PIPE, OIL			
2		706 160-0206 1	1	FUEL HOSE			
3		132 115-4433 0	1	GROMMET			
4		131 205-1983 0	1	STRAINER, FUEL		Sus. by 131205-19831	
5		132 013-1401 0	2	BAND			
6		706 160-0606 2	1	FUEL OUTLET HOSE		7.94*11.11*L50-55	
7		706 160-0756 0	1	FUEL TANK			
8A		706 160-09A7 0	1	FUEL TANK CAP ASY			
8	+	706 040-3176 1	1	FUEL TANK CAP			
9	+	706 160-0977 1	1	PACKING, F.TANK CAP			
13		900 104-0601 6	4	BOLT 6*16 SUS			
14		706 160-1495 0	4	WASHER		6.5*19*T2	
15		706 160-1543 0	1	BRACKET, FUEL TANK			
16		706 160-1677 0	2	CUSHION, FUEL TANK			
17		706 160-1787 0	2	CUSHION			
18		706 160-1845 0	1	BRACKET ENGINE			
19		900 518-0000 5	4	NUT, FLANGE 5			
20		900 242-0501 2	5	SCREW 5*12			
21		706 160-2145 0	1	BRACKET FUEL TANK			
22		900 518-0000 6	4	NUT, FLANGE			
24		706 040-4187 0	2	CUSHION			
26		900 500-0000 5	2	NUT 5			
27		706 160-2705 0	1	FIXED PLATE			
28		178 123-1401 0	1	BRACKET, THROTTLE			

6. Fuel Tank



KEY	LV	PART NUMBER	Q'TY	DESCRIPTION	REMARKS	NOTE1	NOTE2
29		706 160-2926 0	1	THROTTLE,CONTORL			
30		900 242-0502 0	2	SCREW 5*20			
31		706 040-4700 0	1	STOP SWITCH			
32		706 160-3200 0	1	LEAD			
33		706 160-3376 0	1	PROTECTED PIPE			
34		706 160-3445 0	1	PLATE ANGLE			
35		706 160-3577 0	1	CUSHION			
36		706 160-3687 0	1	GROMMET			
37		132 013-2663 0	1	CLIP			

7. Tools



KEY	LV	PART NUMBER	Q'TY	DESCRIPTION	REMARKS	NOTE1	NOTE2
12		706 170-1209 2	1	LABEL,CAUTION S-S			
15		706 040-0509 2	1	LABEL,CAUTION L-S			
29		895 410-1063 0	1	WRENCH, W/S. DRIVER			
30		706 170-3006 0	1	POLY BAG			
31		706 170-3103 0	1	SPANNER 14*17			
32		706 170-3203 0	1	SPANNER 10*12			
55		706 170-5503 0	1	TOOL, DRIVER			
56		706 170-5503 0	1	TOOL, DRIVER			

Index

Patrs Number	Key No.	Patrs Number	Key No.	Patrs Number	Key No.
100 000-5593 2	1 - 7	131 205-1983 0	6 - 4	706 020-2723 1	5 - 27
100 011-0533 0	1 - 8	132 013-1401 0	6 - 5	706 020-2897 0	5 - 28
100 013-2233 0	1 - 10	132 013-2663 0	6 - 37	706 020-3023 0	5 - 30
100 014-5593 0	1 - 12	132 115-4433 0	6 - 3	706 020-31A1 3	5 - 31A
100 015-0463 0	1 - 9	145 510-5593 2	3 - 18	706 020-3201 0	5 - 32
100 100-5593 0	1 - 13	145 610-6263 0	3 - 17	706 020-3371 0	5 - 33
100 142-1233 0	1 - 14	145 621-5653 0	3 - 13	706 020-3477 0	5 - 34
100 204-5703 1	1 - 15	150 117-0913 0	2 - 22	706 020-3591 1	5 - 35
100 212-2823 0	1 - 21	152 626-5593 2	2 - 25	706 020-3695 1	5 - 36
100 213-0553 0	1 - 16	152 801-5653 0	2 - 18	706 020-3762 0	5 - 37
100 242-5593 0	1 - 19	156 112-2823 0	2 - 24	706 020-3872 0	5 - 38
101 010-5593 0	1 - 6	156 112-4063 0	2 - 24	706 020-3972 0	5 - 39
101 011-6123 0	1 - 4	159 010-1963 0	2 - 28	706 020-4077 1	5 - 40
124 111-0581 0	4 - 27	159 011-0343 2	2 - 27	706 020-4172 0	5 - 41
124 113-1341 0	4 - 2	159 012-0343 3	2 - 26	706 020-4204 0	5 - 42
124 114-0553 0	4 - 3	162 010-5543 0	2 - 29	706 020-4342 1	5 - 43
124 115-0553 0	4 - 4	175 009-5593 0	2 - 30	706 020-4678 0	5 - 45
124 116-0553 0	4 - 6	175 009-5593 1	2 - 30	706 020-4741 2	5 - 46
124 122-1531 0	4 - 11	175 046-5603 0	2 - 31	706 020-4897 0	5 - 47
124 123-1341 0	4 - 12	175 049-5603 0	2 - 33	706 020-4982 1	5 - 48
124 124-1341 0	4 - 13	177 200-5593 1	2 - 1	706 020-49A2 0	5 - 48A
124 129-1341 0	4 - 9	177 202-4063 0	2 - 9	706 020-5000 0	5 - 49
124 149-1341 0	4 - 10	177 215-4063 0	2 - 3	706 020-5295 0	5 - 51
124 158-1341 1	4 - 26	177 218-4063 0	2 - 10	706 020-5562 1	5 - 56
124 160-1112 0	4 - 8	177 220-4063 0	2 - 2	706 020-5641 1	5 - 57
124 162-1341 0	4 - 29	177 226-0393 0	2 - 6	706 020-60A2 2	5 - 71A
124 172-1341 0	4 - 30	177 227-4203 0	2 - 7	706 020-6176 0	5 - 58
124 174-1341 0	4 - 25	177 228-2703 0	2 - 8	706 020-6201 2	5 - 59
124 182-1341 0	4 - 15	177 234-4063 0	2 - 11	706 020-6462 0	5 - 61
124 200-1322 0	3 - 6	177 236-4433 0	2 - 5	706 020-6562 1	5 - 62
124 200-1322 0	4 -	178 123-1401 0	6 - 28	706 020-6601 1	5 - 63
124 317-4993 0	4 - 5	250 210-1161 0	5 - 52	706 020-6782 0	5 - 64
124 318-5703 0	4 - 7	250 211-1161 0	5 - 53	706 020-6801 0	5 - 65
124 342-1271 0	4 - 23	437 210-1513 0	6 - 1	706 020-7062 0	5 - 67
124 355-5013 0	4 - 16	706 020-0374 2	5 - 3	706 020-7192 0	5 - 68
124 361-1271 0	4 - 17	706 020-0497 0	5 - 4	706 020-7292 0	5 - 69
124 362-1271 0	4 - 19	706 020-0692 0	5 - 6	706 020-7309 1	5 - 70
124 363-1271 0	4 - 20	706 020-08A4 3	5 - 8A	706 040-0509 2	7 - 15
124 364-1271 0	4 - 18	706 020-0997 0	5 - 9	706 040-3176 1	6 - 8
124 365-1341 0	4 - 21	706 020-1070 0	5 - 10	706 040-4187 0	6 - 24
124 367-5423 0	4 - 31	706 020-1224 1	5 - 12	706 040-4700 0	6 - 31
124 380-1271 0	4 - 22	706 020-1325 0	5 - 13	706 130-0523 0	3 - 5
130 010-5593 0	3 - 1	706 020-1697 0	5 - 16	706 150-0195 3	5 - 1
130 010-5633 0	3 - 4	706 020-1792 0	5 - 17	706 150-0278 1	5 - 2
130 017-5643 1	3 - 2	706 020-1822 0	5 - 18	706 150-7572 0	5 - 75
130 300-1341 1	3 - 8	706 020-1923 0	5 - 19	706 150-8302 0	5 - 83
130 307-1341 0	3 - 9	706 020-2003 0	5 - 20	706 150-8606 0	5 - 86
130 308-1341 0	3 - 11	706 020-2223 1	5 - 22	706 160-0206 1	6 - 2
130 310-1341 0	3 - 10	706 020-2595 0	5 - 25	706 160-0606 2	6 - 6

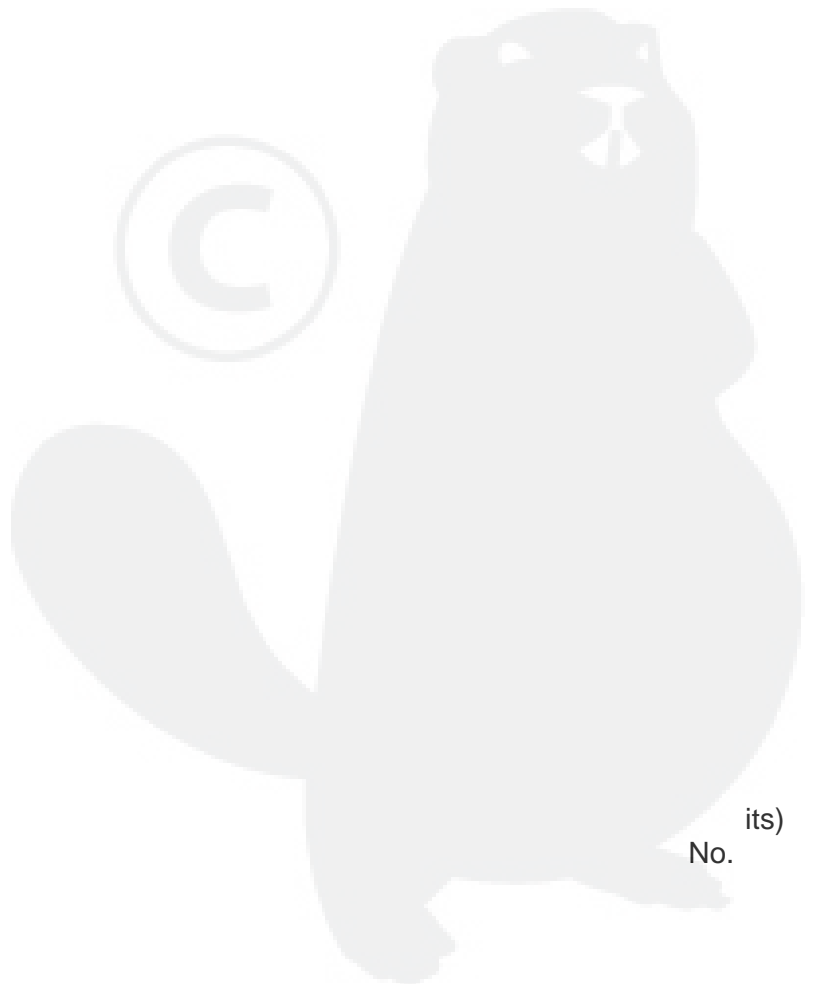
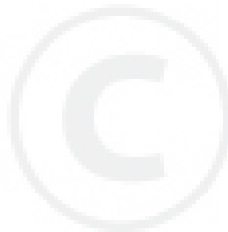
Index

Patrs Number	Key No.	Patrs Number	Key No.	Patrs Number	Key No.
706 160-0756 0	6 - 7	900 502-0000 8	2 - 21		
706 160-0977 1	6 - 9	900 518-0000 5	6 - 19		
706 160-09A7 0	6 - 8A	900 518-0000 6	6 - 22		
706 160-1495 0	6 - 14	900 600-0000 5	3 - 16		
706 160-1543 0	6 - 15	900 600-0000 8	2 - 19		
706 160-1677 0	6 - 16	900 600-0000 8	5 - 23		
706 160-1787 0	6 - 17	900 605-0000 8	2 - 20		
706 160-1845 0	6 - 18	900 605-0000 8	5 - 24		
706 160-2145 0	6 - 21	900 700-0000 4	2 - 37		
706 160-2705 0	6 - 27	900 702-0002 8	1 - 18		
706 160-2926 0	6 - 29	900 720-0000 7	5 - 66		
706 160-3200 0	6 - 32	900 720-0001 6	5 - 85		
706 160-3376 0	6 - 33	900 720-0125 0	5 - 84		
706 160-3445 0	6 - 34	900 722-3011 2	5 - 7		
706 160-3577 0	6 - 35	900 800-0060 9	5 - 26		
706 160-3687 0	6 - 36	900 800-0600 1	5 - 5		
706 170-1209 2	7 - 12	900 800-3600 1	1 - 17		
706 170-3006 0	7 - 30	900 810-0620 1	5 - 21		
706 170-3103 0	7 - 31	91128-04022	2 - 23		
706 170-3203 0	7 - 32	A160-000030	1 - 2		
706 170-5503 0	7 - 55	G231-000021	3 - 19		
706 170-5503 0	7 - 56	V304-000010	2 - 32		
706 M50-5052 0	5 - 50	V306-000020	2 - 35		
707 150-0195 4	5 - 1	V353-000020	1 - 3		
890 053-5623 0	2 - 14	V451-000040	2 - 34		
890 160-0636 1	2 - 36	V553-000020	1 - 11		
895 410-1063 0	7 - 29				
900 104-0601 6	6 - 13				
900 105-0505 5	3 - 15				
900 106-0500 8	3 - 14				
900 162-0402 2	2 - 23				
900 162-0501 8	5 - 11				
900 162-0502 2	1 - 5				
900 162-0502 5	3 - 3				
900 162-0502 5	5 - 14				
900 238-0501 6	3 - 12				
900 239-0401 4	2 - 13				
900 241-0301 0	4 - 14				
900 241-0301 4	4 - 24				
900 241-0501 6	4 - 1				
900 242-0401 2	5 - 15				
900 242-0501 2	6 - 20				
900 242-0501 4	1 - 1				
900 242-0502 0	6 - 30				
900 242-0502 5	1 - 20				
900 242-0502 5	5 - 82				
900 242-0505 0	3 - 7				
900 500-0000 5	6 - 26				
900 502-0000 8	2 - 12				

YAMABIKO CORPORATION

7-2 SUEHIROCHO 1-CHOME, OHME, TOKYO 198-8760, JAPAN
PHONE: 81-428-32-6118. FAX: 81-428-32-6145.

ECHO[®]



No. its)