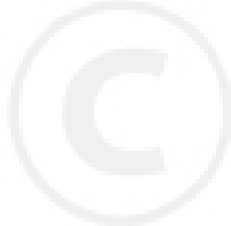




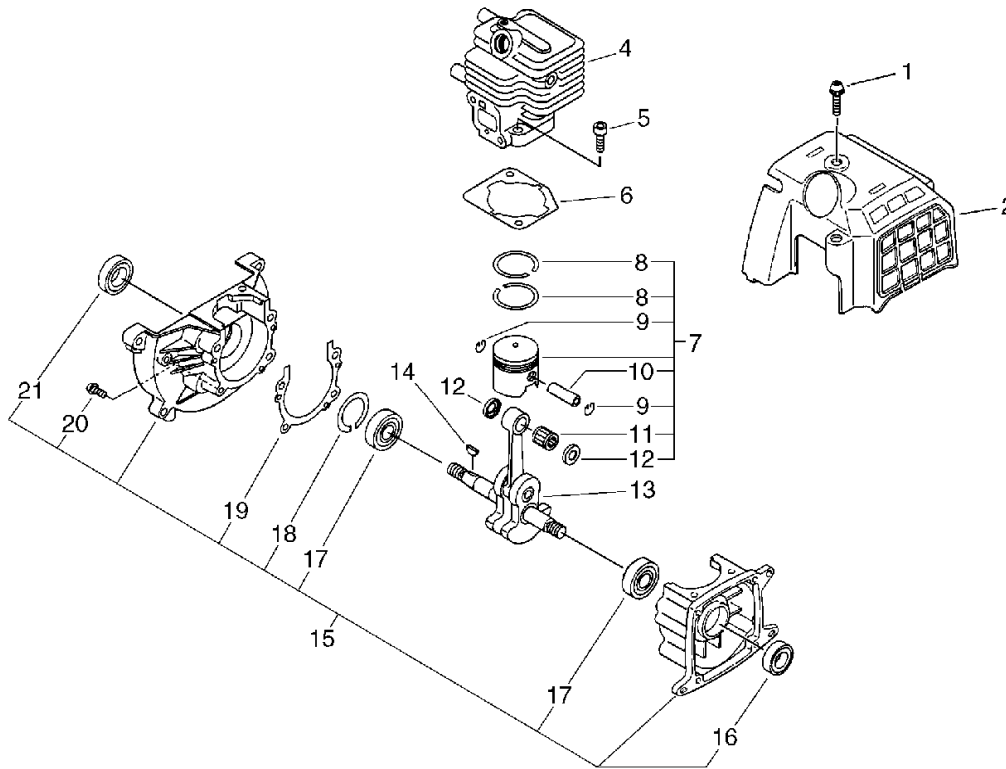
PARTS CATALOG

POWER SPRAYER SHP-800S(6digits)



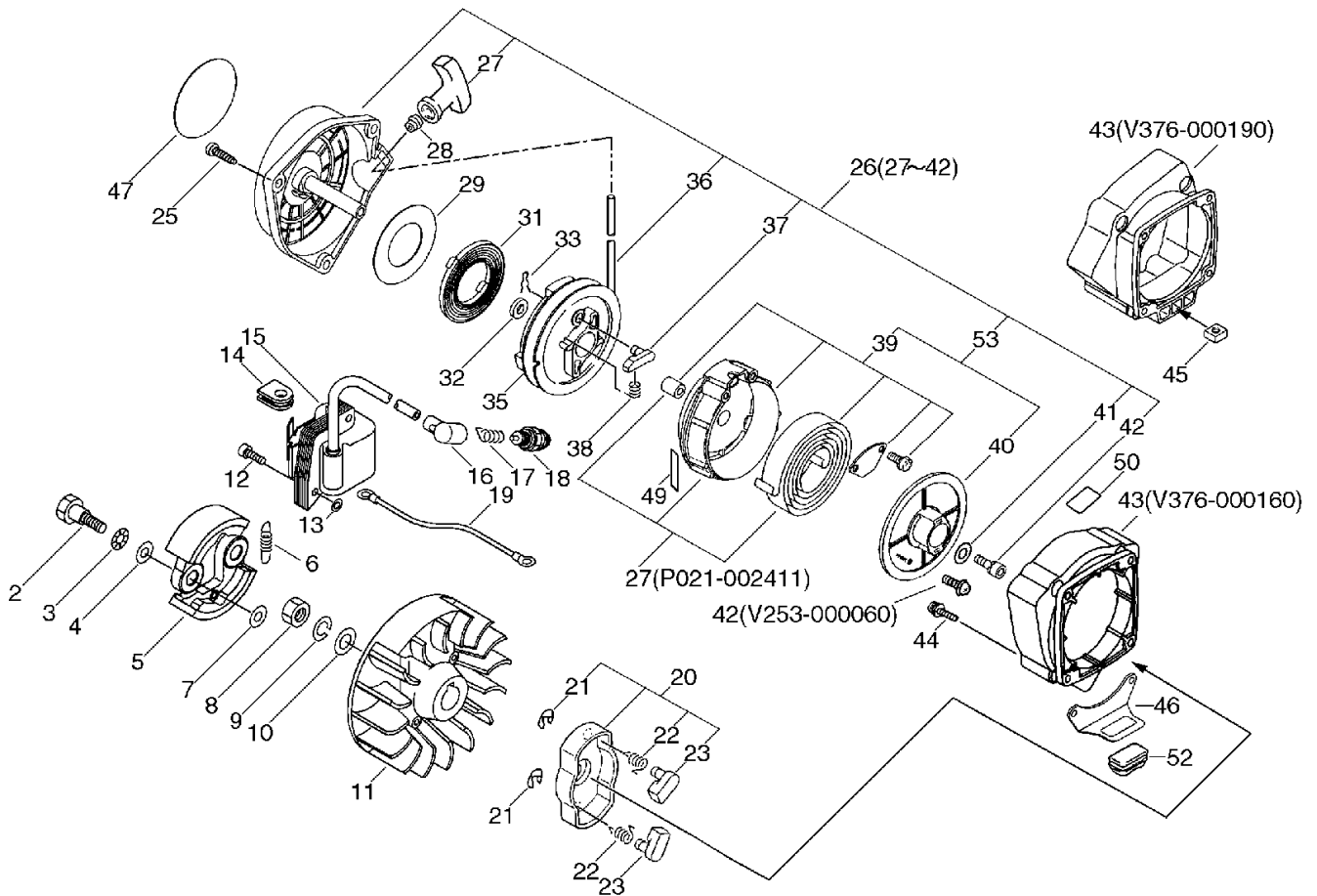
SHP-800S(6digits)

1. Cylinder, Crankcase, Piston



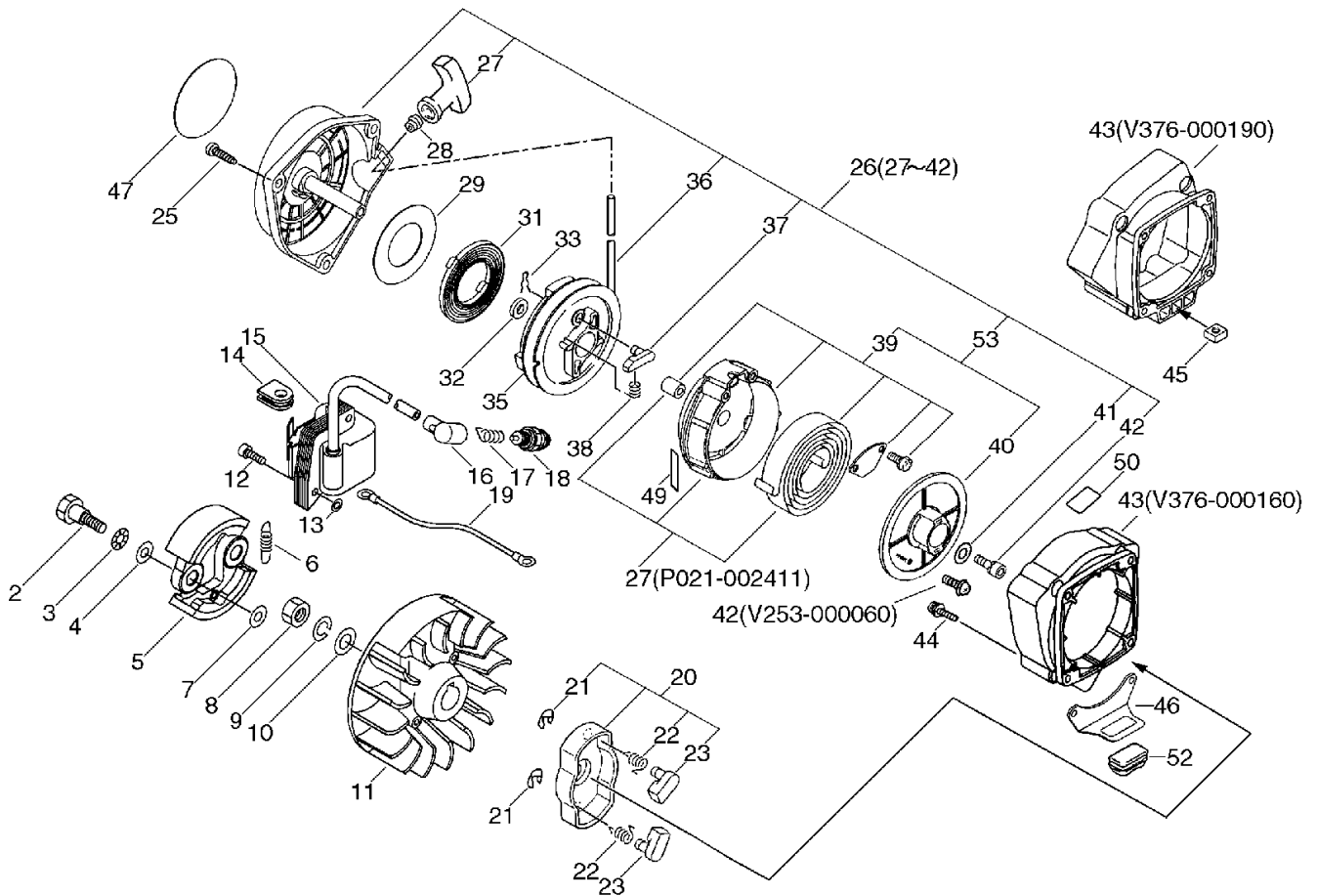
| KEY | LV | PART NUMBER | Q'TY | DESCRIPTION | REMARKS | NOTE1 | NOTE2 |
|-----|----|--------------|------|----------------------|---------------|--------------------|-------|
| 1 | | 900242-05014 | 1 | SCREW 5*14 | 5*14 | | |
| 2 | | A160-000030 | 1 | COVER,CYLINDER | | | |
| 4 | | 101011-61230 | 1 | CYLINDER | | | |
| 5 | | 900162-05022 | 2 | BOLT, H.S. 5*22 | 5*22 W,SW | | |
| 6 | | 101010-55930 | 1 | GASKET, CYL. BASE | | | |
| 7 | | 100000-55932 | 1 | PISTON KIT | | Sus.by P021-014440 | |
| 8 | + | 100011-05330 | 2 | RING, PISTON | | | |
| 9 | + | 100015-04630 | 2 | CIRCLIP, PISTON PIN | | | |
| 10 | + | 100013-22330 | 1 | PIN, PISTON | | | |
| 11 | + | V553-000020 | 1 | BEARING,NEEDLE 8 | KBK8X11X8.8X4 | | |
| 12 | + | 100014-55930 | 2 | SPACER, PISTON PIN | | | |
| 13 | | 100100-55930 | 1 | CRANKSHAFT ASSY | | | |
| 14 | | 100142-12330 | 1 | KEY, WOODRUFF | | | |
| 15 | | 100204-57031 | 1 | CRANKCASE KIT | | | |
| 16 | + | 100213-05530 | 1 | OILSEAL | ISCD 12 22 7 | | |
| 17 | + | 900800-36001 | 2 | BEARING, BALL 6001 | 6001/C3 | | |
| 18 | + | 900702-00028 | 1 | CIRCLIP 28 | CR-28 | | |
| 19 | + | 100242-55930 | 1 | GASKET, CRANKCASE | | | |
| 20 | + | 900242-05025 | 4 | SCREW 5*25 | 5*25 | | |
| 21 | + | 100212-28230 | 1 | OILSEAL ISCD 12*28*7 | ISCD 12*28*7 | | |

2. Starter, Magneto, Clutch



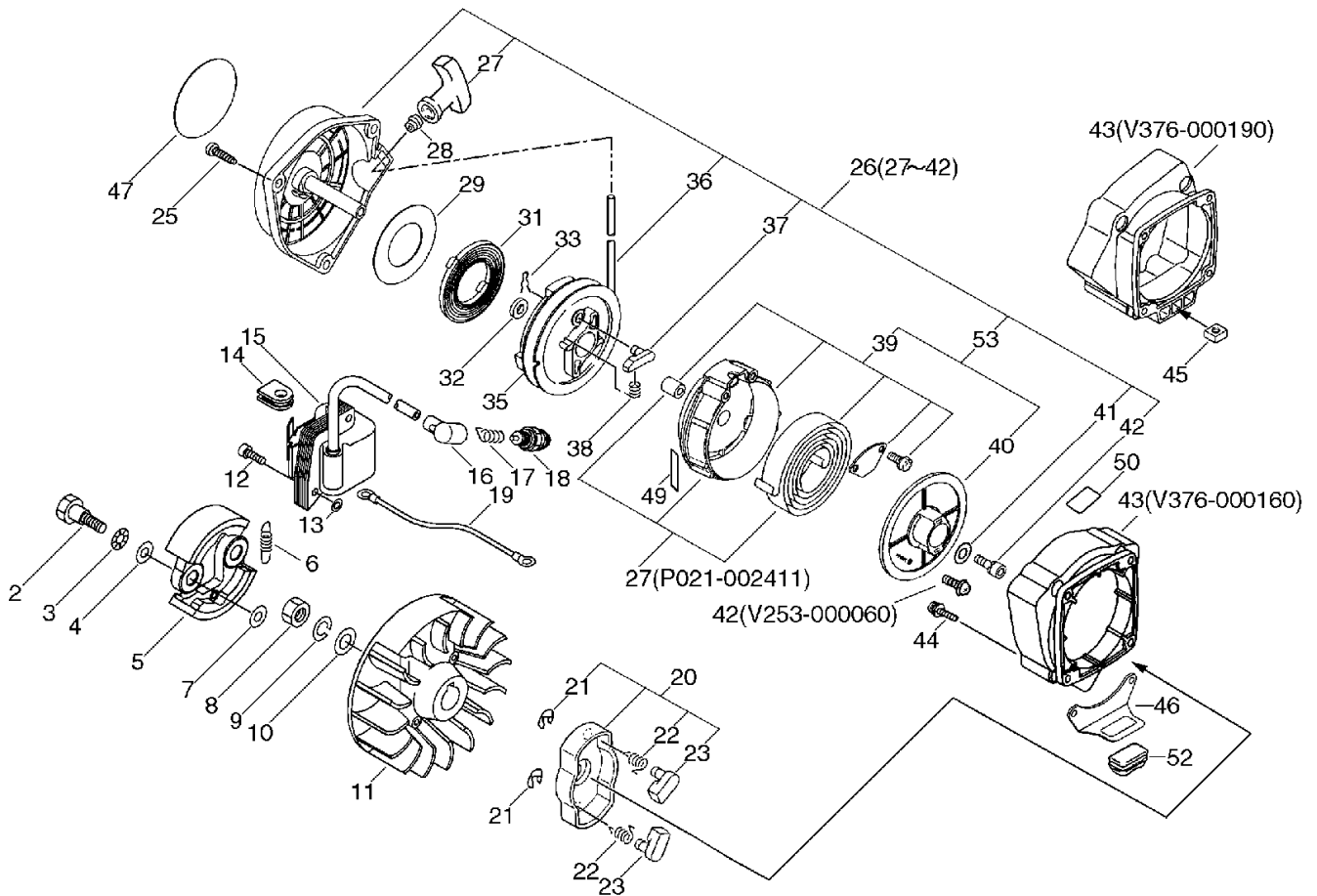
| KEY | LV | PART NUMBER | Q'TY | DESCRIPTION | REMARKS | NOTE1 | NOTE2 |
|-----|----|--------------|------|----------------------|------------|-----------------------|-------|
| 2 | | 175046-56030 | 2 | SHAFT, CLUTCH | | | |
| 3 | | 175049-56030 | 2 | WASHER | 8.5*16*0.5 | | |
| 4 | | V306-000020 | 2 | WASHER,CIRCULAR 8 | 8.2*17*0.2 | | |
| 5 | | 175009-55930 | 2 | SHOE, CLUTCH | | Sus.by 175 009-5593 1 | |
| 5 | | 175009-55931 | 2 | SHOE, CLUTCH | | | |
| 7 | | V304-000010 | 2 | WASHER,CIRCULAR 6 | 6*18*1.2 | | |
| 8 | | 900502-00008 | 1 | NUT 8 (3N) | 3N8 | | |
| 9 | | 900605-00008 | 1 | WASHER, SPRING 8 | 8 | | |
| 10 | | 900600-00008 | 1 | WASHER 8 | 8 | | |
| 11 | | 152801-56530 | 1 | ROTOR, MAGNETO | | | |
| 12 | | 900162-04022 | 2 | BOLT, H.S. 4*22 | 4*22 W,SW | Sus.by 91128-04022 | |
| 12 | | 91128-04022 | 2 | BOLT HSH | CM-4*22 | | |
| 13 | | 150117-09130 | 2 | SPACER | | | |
| 14 | | 156112-28230 | 1 | GROMMET | | Sus.by 156 112-4063 0 | |
| 14 | | 156112-40630 | 1 | GROMMET | | | |
| 15 | | 152626-55932 | 1 | COIL, IGNITION | | | |
| 16 | | 159012-03433 | 1 | CAP, SPARK PLUG | | | |
| 17 | | 159011-03432 | 1 | COIL, SPARK PLUG | | | |
| 18 | | 159010-19630 | 1 | PLUG, SPARK (BPM-7Y) | BPM-7Y | | |
| 19 | | 162010-55430 | 1 | LEAD | 315L | | |
| 20 | | A052-000030 | 1 | PULLEY,ASM STARTER | | Sus.by 177 202-1222 0 | |
| 20 | | 177202-12220 | 1 | PAWL ASSY, STARTER | | | |

2. Starter, Magneto, Clutch



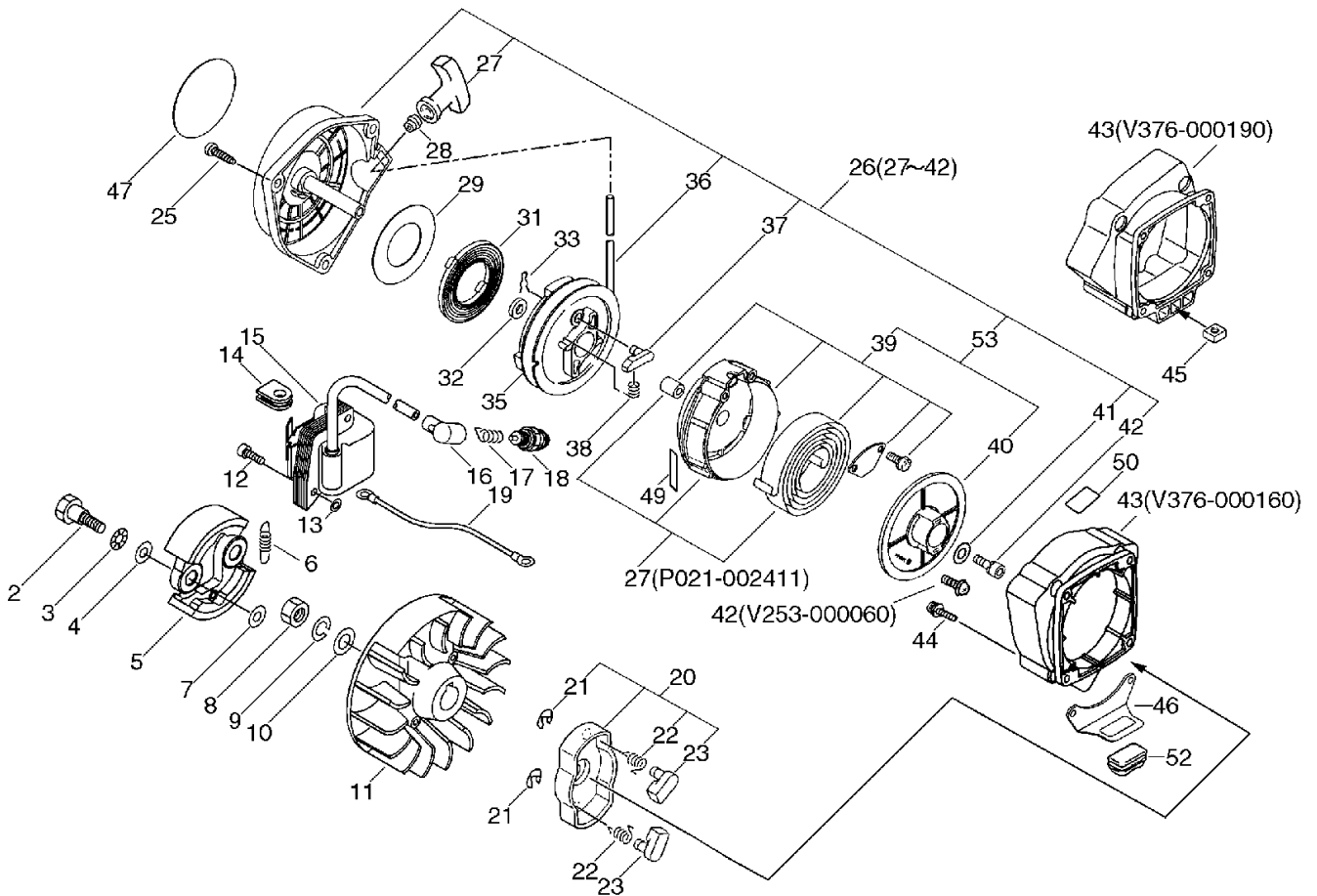
| KEY | LV | PART NUMBER | Q'TY | DESCRIPTION | REMARKS | NOTE1 | NOTE2 |
|-----|----|--------------|------|----------------|---------|---------------------------------|-------|
| 21 | + | 900700-00004 | 2 | E-RING 4 | CE-4 | | |
| 22 | + | 177234-40630 | 2 | SPRING, RETURN | | Can be used A052-000030 only | |
| 22 | + | 177234-12220 | 2 | SPRING, PAWL | | Can be used 177 202-1222 0 only | |
| 23 | + | 177218-40630 | 2 | PAWL, STARTER | WHITE | Can be used A052-000030 only | |
| 23 | + | 177218-44330 | 2 | PAWL, STARTER | BLACK | Can be used 177 202-1222 0 only | |
| 25 | | 900253-05020 | 3 | SCREW 5*20 | 5*20 | | |
| 26 | | A051-000113 | 1 | STARTER,RECOIL | | Sus.by A051-000390 | |
| 26 | | A051-000390 | 1 | STARTER,RECOIL | | Sus.by A051-000521 | |
| 26 | | A051-000520 | 1 | STARTER,RECOIL | | Sus.by A051-000521 | |
| 26 | | A051-000521 | 1 | STARTER,RECOIL | | | |
| 27 | + | 177228-27030 | 1 | GRIP, STARTER | | Next Production:Nil | |
| 28 | + | 177227-42030 | 1 | GUIDE, ROPE | | | |
| 29 | + | A503-000010 | 1 | PLATE,STARTER | | | |

2. Starter, Magneto, Clutch



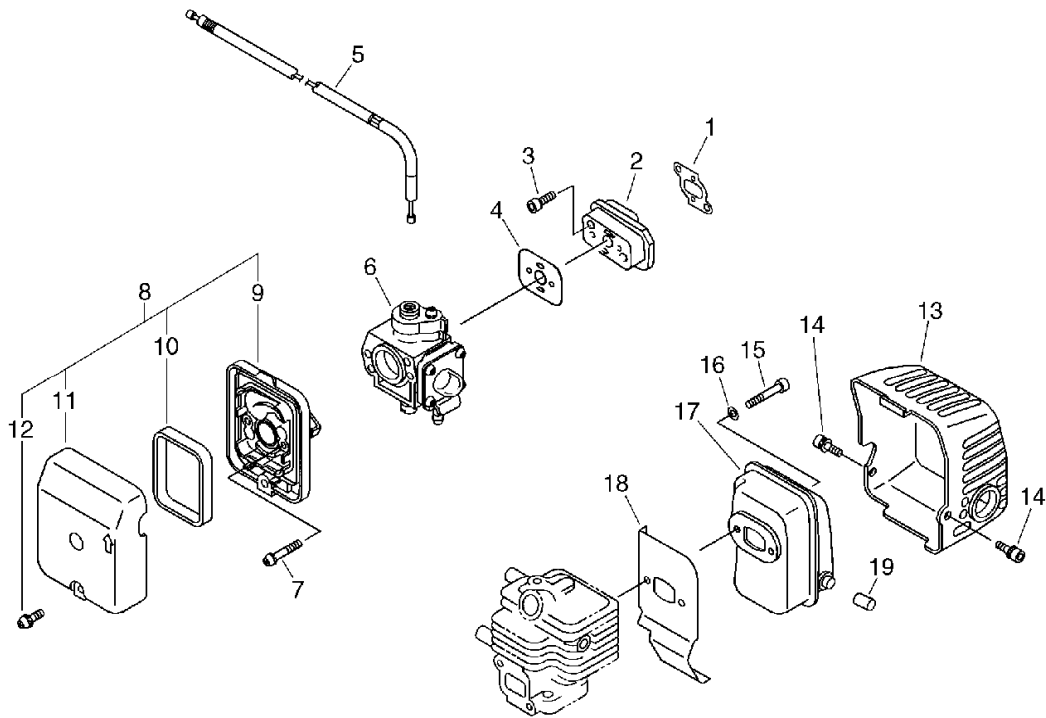
| KEY | LV | PART NUMBER | Q'TY | DESCRIPTION | REMARKS | NOTE1 | NOTE2 |
|-----|----|----------------|------|--------------------|-------------|------------------------------|-------|
| 31 | + | A504-000000 | 1 | SPRING,SPIRAL | | Sus.by A504-000001 | |
| 31 | + | A504-000001 | 1 | SPRING,SPIRAL | | | |
| 32 | + | V355-000080 | 1 | COLLAR,8 | 8.2*16*3 | | |
| 33 | + | V641-000040 | 2 | PIN,SNAP | | | |
| 35 | + | A506-000010 | 1 | REEL,ROPE | | | |
| 36 | + | 177226-10120 | 1 | ROPE, STARTER | 3.0*1000 | Sus.by A509-000030 | |
| 36 | + | A509-000030 | 1 | ROPE | | | |
| 37 | + | A514-000010 | 2 | PAWL | | | |
| 38 | + | V450-000130 | 2 | SPRING,COMPRESSION | | | |
| 39 | + | P021-002411 | 1 | POWER SPRING ASY | | Sus.by A053-000011 | |
| 40 | + | A520-000022 | 1 | PULLEY,STARTING | | Sus.by A053-000011 | |
| 53 | + | A053-000011 | 1 | SPRING,ASM POWER | | | |
| 39 | ++ | P021-004030 | 1 | POWER SPRING ASY | | Can be used A053-000011 only | |
| 40 | ++ | A520-000002 | 1 | PULLEY,STARTING | | Can be used A053-000011 only | |
| 41 | + | 177214-02830 | 1 | WASHER | 5.2*16*1.0T | Next Production:Nil | |
| 42 | + | 900 105-0501 2 | 1 | BOLT, H.S. 5*12 | | Sus.by V253-000060 | |

2. Starter, Magneto, Clutch



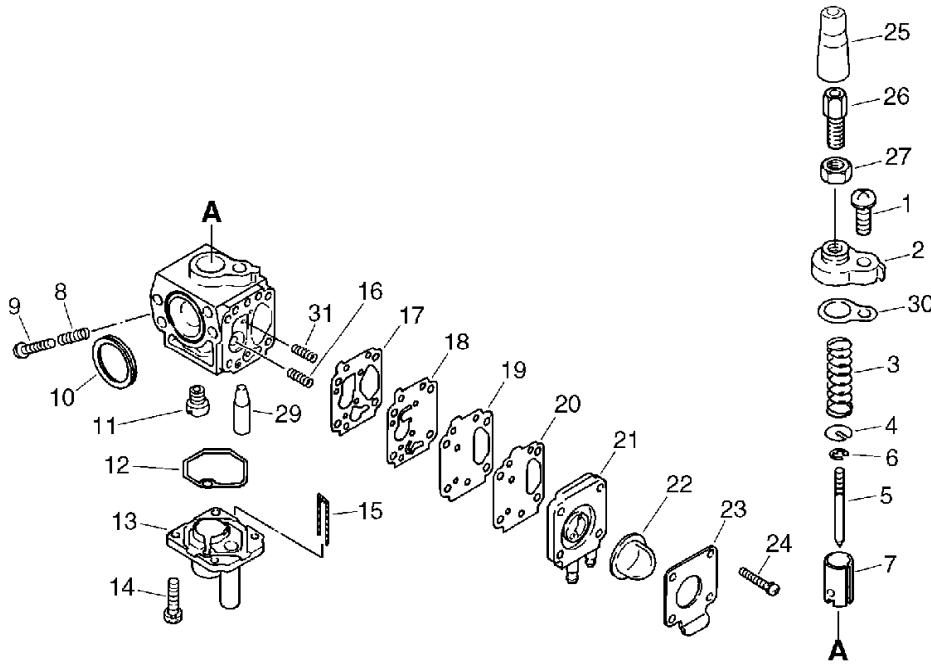
| KEY | LV | PART NUMBER | Q'TY | DESCRIPTION | REMARKS | NOTE1 | NOTE2 |
|-----|----|--------------|------|-----------------|-----------|------------------------------|-------|
| 42 | + | V253-000060 | 1 | SCREW,5 | | | |
| 43 | | V376-000190 | 1 | SPACER | | Sus.by V376-000160 | |
| 43 | | V376-000160 | 1 | SPACER | | | |
| 44 | | 900162-04014 | 4 | BOLT, H.S. 4*14 | 4*14 W,SW | | |
| 45 | | 900565-00005 | 1 | NUT | 5 | Can be used V376-000190 only | |
| 46 | | V152-000990 | 1 | PLATE,ANGLE | | | |
| 52 | | 305117-03360 | 1 | CUSHION | | | |
| 47 | | X502-000030 | 1 | LABEL,ECHO | | | |
| 49 | | X505-000620 | 1 | LABEL,CAUTION | | | |
| 50 | | 890160-06361 | 1 | LABEL, CAUTION | | Sus.by X505-002310 | |

3. Air Cleaner, Muffler



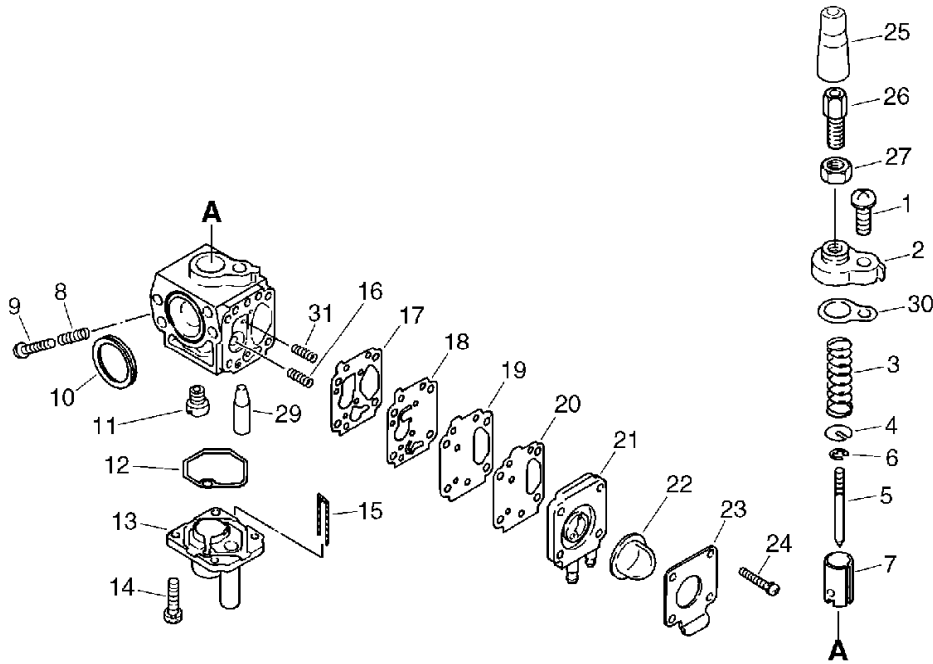
| KEY | LV | PART NUMBER | Q'TY | DESCRIPTION | REMARKS | NOTE1 | NOTE2 |
|-----|----|--------------|------|--------------------|-----------|-------|-------|
| 1 | | 130010-55930 | 1 | GASKET, INTAKE | | | |
| 2 | | 130017-56431 | 1 | INSULATOR | | | |
| 3 | | 900162-05025 | 2 | BOLT, H.S. 5*25 | 5*25 W,SW | | |
| 4 | | 130010-56330 | 1 | GASKET, INTAKE | | | |
| 5 | | 706130-05230 | 1 | THROTTLE WIRE | | | |
| 6 | | 124200-13220 | 1 | CARBURETOR | KR8PR-1B | | |
| 7 | | 900242-05050 | 2 | SCREW 5*50 | 5*50 | | |
| 8 | | 130300-13411 | 1 | CLEANER ASM., AIR | | | |
| 9 | + | 130307-13410 | 1 | CASE, AIR CLEANER | | | |
| 10 | + | 130310-13410 | 1 | FILTER, AIR | | | |
| 11 | + | 130308-13410 | 1 | COVER, AIR CLEANER | | | |
| 12 | + | 900238-05016 | 1 | SCREW 5*16 | 5*16 | | |
| 13 | | 145621-56530 | 1 | COVER, MUFFLER | | | |
| 14 | | 900106-05008 | 2 | BOLT, H.S. 5* 8 | 5*8 | | |
| 15 | | 900105-05055 | 2 | BOLT, H.S. 5*55 | 5*55 | | |
| 16 | | 900600-00005 | 2 | WASHER 5 | 5 | | |
| 17 | | 145610-62630 | 1 | MUFFLER | | | |
| 18 | | 145510-55932 | 1 | GASKET, MUFFLER | | | |
| 19 | | G231-000021 | 1 | PIPE,EXHAUST | | | |

4. Carburetor



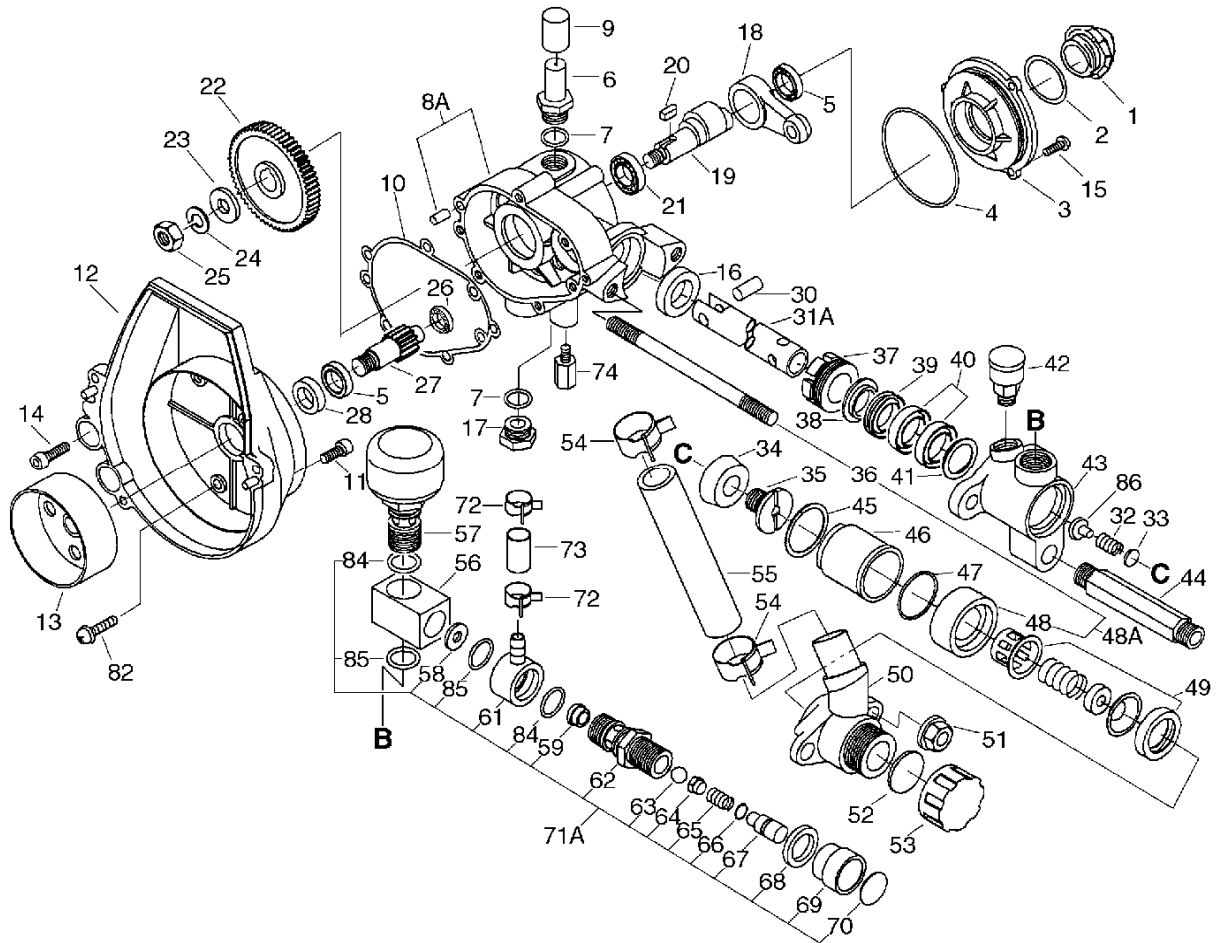
| KEY | LV | PART NUMBER | Q'TY | DESCRIPTION | REMARKS | NOTE1 | NOTE2 |
|-----|----|--------------|------|----------------------|----------|-------|-------|
| | | 124200-13220 | 1 | CARBURETOR | KR8PR-1B | | |
| 1 | + | 900241-05016 | 1 | SCREW 5*16 (W/W,SW) | 5*16 | | |
| 2 | + | 124113-13410 | 1 | COVER, TOP | | | |
| 3 | + | 124114-05530 | 1 | SPRING, THROTTLE | | | |
| 4 | + | 124115-05530 | 1 | SEAT, SPRING | | | |
| 5 | + | 124317-49930 | 1 | NEEDLE, JET | | | |
| 6 | + | 124116-05530 | 1 | E-RING | | | |
| 7 | + | 124318-57030 | 1 | VALVE, THROTTLE | | | |
| 8 | + | 124160-11120 | 1 | SPRING, IDLE ADJUST | | | |
| 9 | + | 124129-13410 | 1 | SCREW | | | |
| 10 | + | 124149-13410 | 1 | GASKET, FRANGE | | | |
| 11 | + | 124122-15310 | 1 | JET, MAIN | #44 | | |
| 12 | + | 124123-13410 | 1 | GASKET, CHAMBER | | | |
| 13 | + | 124124-13410 | 1 | CHAMBER, FLOAT | | | |
| 14 | + | 900241-03010 | 4 | SCREW 3*10 (W/SW) | 3*10 | | |
| 15 | + | 124182-13410 | 1 | WIRE, DRAIN | | | |
| 16 | + | 124355-50130 | 1 | SPRING, ADJUSTMENT | | | |
| 17 | + | 124361-12710 | 1 | GASKET | | | |
| 18 | + | 124364-12710 | 1 | DIAPHRAGM, FUEL PUMP | NBR | | |
| 19 | + | 124362-12710 | 1 | PLATE,PUMP | | | |
| 20 | + | 124363-12710 | 1 | GASKET, FUEL PUMP | | | |
| 21 | + | 124365-13410 | 1 | COVER, PUMP | | | |
| 22 | + | 124380-12710 | 1 | PUMP, PRIMING | | | |
| 23 | + | 124342-12710 | 1 | PLATE, PUMP | | | |
| 24 | + | 900241-03014 | 4 | SCREW 3*14 (W/SW) | 3*14 | | |
| 25 | + | 124174-13410 | 1 | CAP, RUBBER | | | |

4. Carburetor



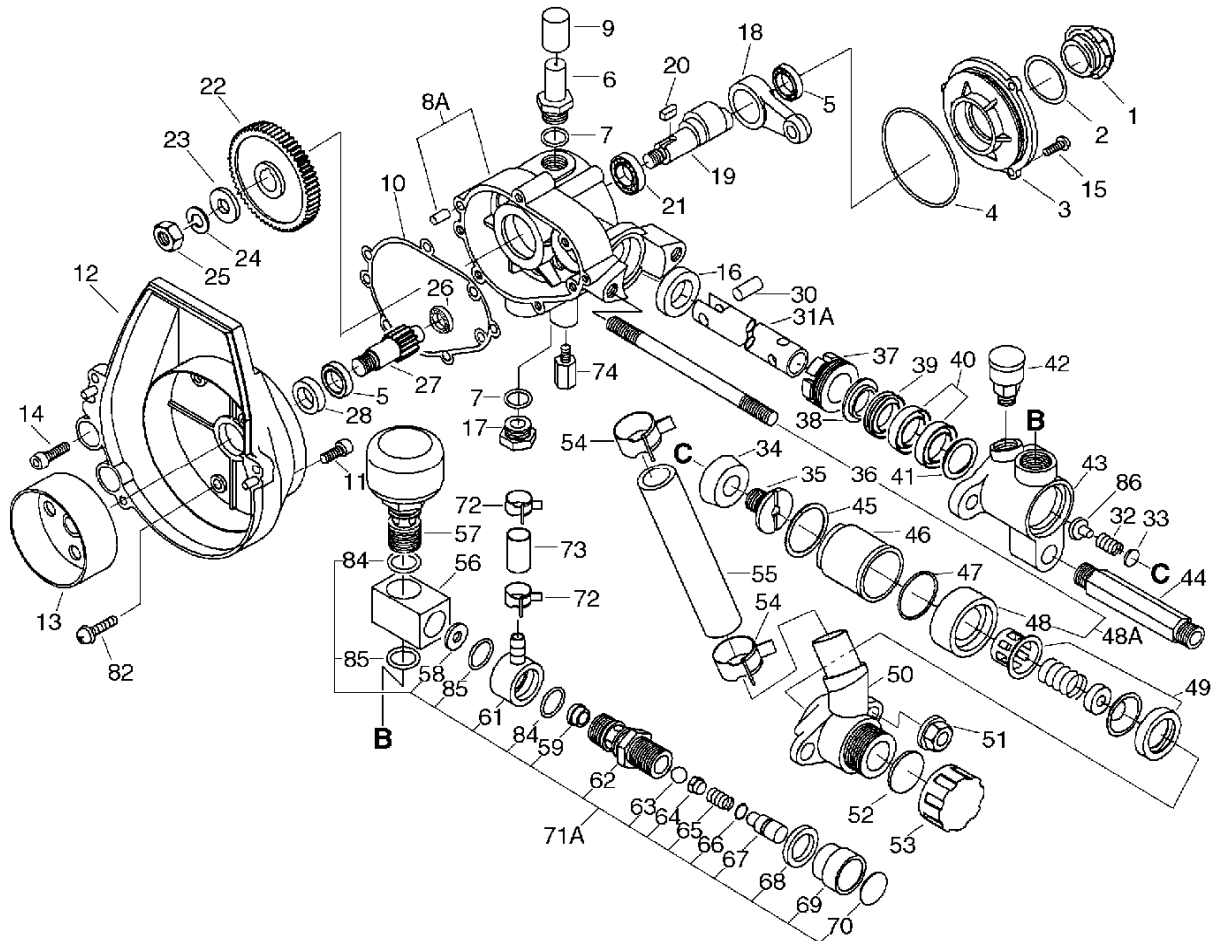
| KEY | LV | PART NUMBER | Q'TY | DESCRIPTION | REMARKS | NOTE1 | NOTE2 |
|-----|----|--------------|------|----------------|---------|-------|-------|
| 26 | + | 124158-13410 | 1 | ADJUST,CABLE | | | |
| 27 | + | 124111-05810 | 1 | NUT | | | |
| 29 | + | 124162-13410 | 1 | JET, NEEDLE | | | |
| 30 | + | 124172-13410 | 1 | PACKING | | | |
| 31 | + | 124367-54230 | 1 | SPRING,BACK UP | | | |

5. Pressure Pump Single Nozzle Type



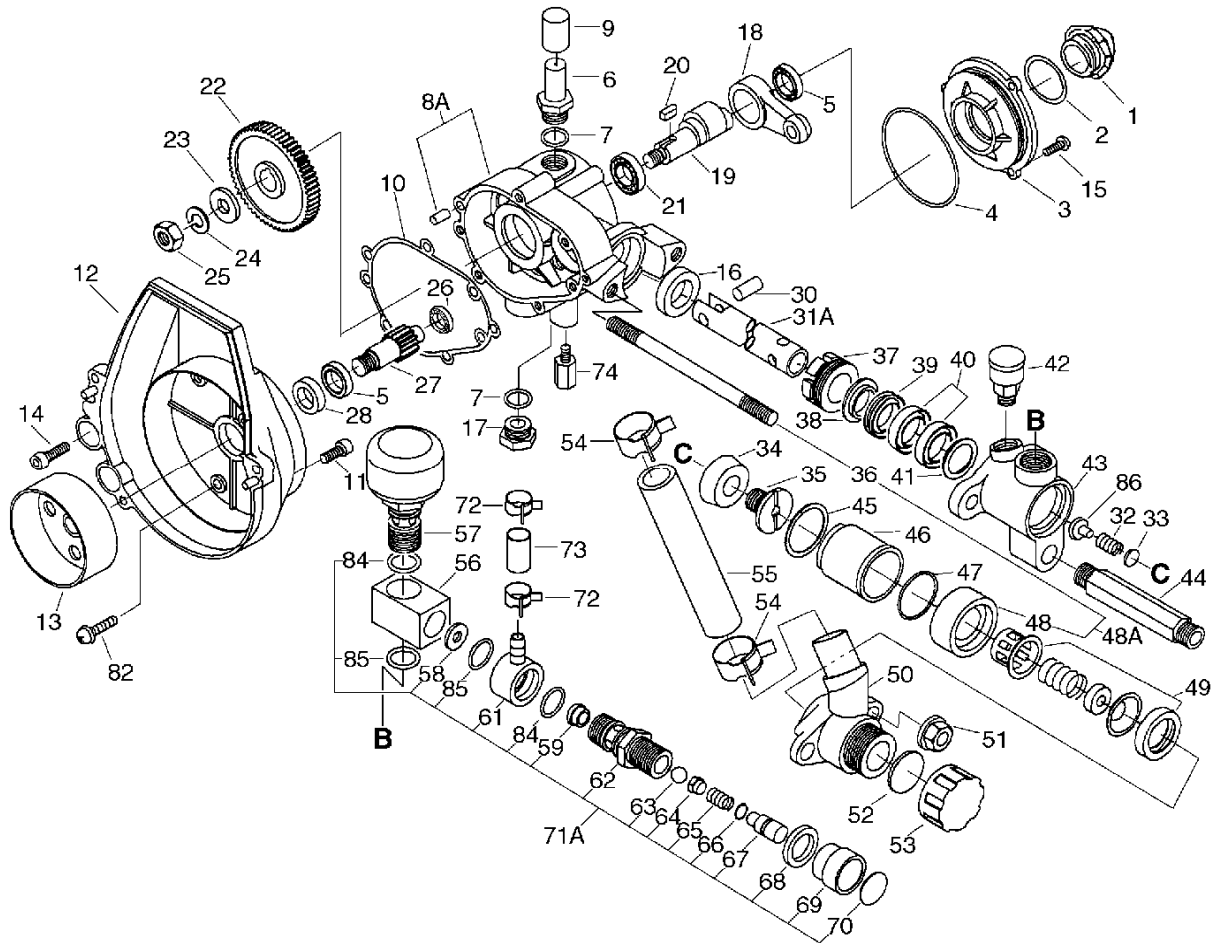
| KEY | LV | PART NUMBER | Q'TY | DESCRIPTION | REMARKS | NOTE1 | NOTE2 |
|-----|----|--------------|------|--------------------|-----------|------------------------|-------|
| 1 | | 706150-01951 | 1 | OIL GAUGE | | Sus. by 706 150-0195 4 | |
| 1 | | 706150-01953 | 1 | OIL GAUGE | | Sus. by 706 150-0195 4 | |
| 1 | | 706150-01954 | 1 | OIL GAUGE | | | |
| 2 | | 706150-02781 | 1 | O-RING | | | |
| 3 | | 706020-03742 | 1 | GEAR CASE LID | | | |
| 4 | | 706020-04970 | 1 | O-RING | | | |
| 5 | | 900800-06001 | 2 | BEARING, BALL 6001 | 6001 | BB6001 | |
| 6 | | 706020-06920 | 1 | OILING BOLT | | | |
| 7 | | 900722-30112 | 2 | O-RING | P-11.2 | | |
| 8A | | 706020-08A43 | 1 | PUMP BODY W/PIN | | | |
| 9 | | 706020-09970 | 1 | CAP | | | |
| 10 | | 706020-10700 | 1 | GASKET | | | |
| 11 | | 900162-05018 | 4 | BOLT, H.S. 5*18 | 5*18 W,SW | | |
| 12 | | 706020-12241 | 1 | FAN COVER | | | |
| 13 | | 706020-13250 | 1 | CLUTCH DRUM | | | |
| 14 | | 900162-05025 | 2 | BOLT, H.S. 5*25 | 5*25 W,SW | | |
| 15 | | 900242-04012 | 3 | SCREW 4*12 | 4*12 | | |
| 16 | | 706020-16970 | 1 | OIL SEAL | | | |
| 17 | | 706020-17920 | 1 | DRAIN CAP | | | |
| 18 | | 706020-18220 | 1 | CONNECTING ROD | | | |
| 19 | | 706020-19230 | 1 | CRANK SHAFT | | | |
| 20 | | 706020-20030 | 1 | KEY | | | |
| 21 | | 900810-06201 | 1 | BEARING, BALL 6201 | 6201 | | |
| 22 | | 706020-22231 | 1 | SPUR GEAR | | | |

5. Pressure Pump Single Nozzle Type



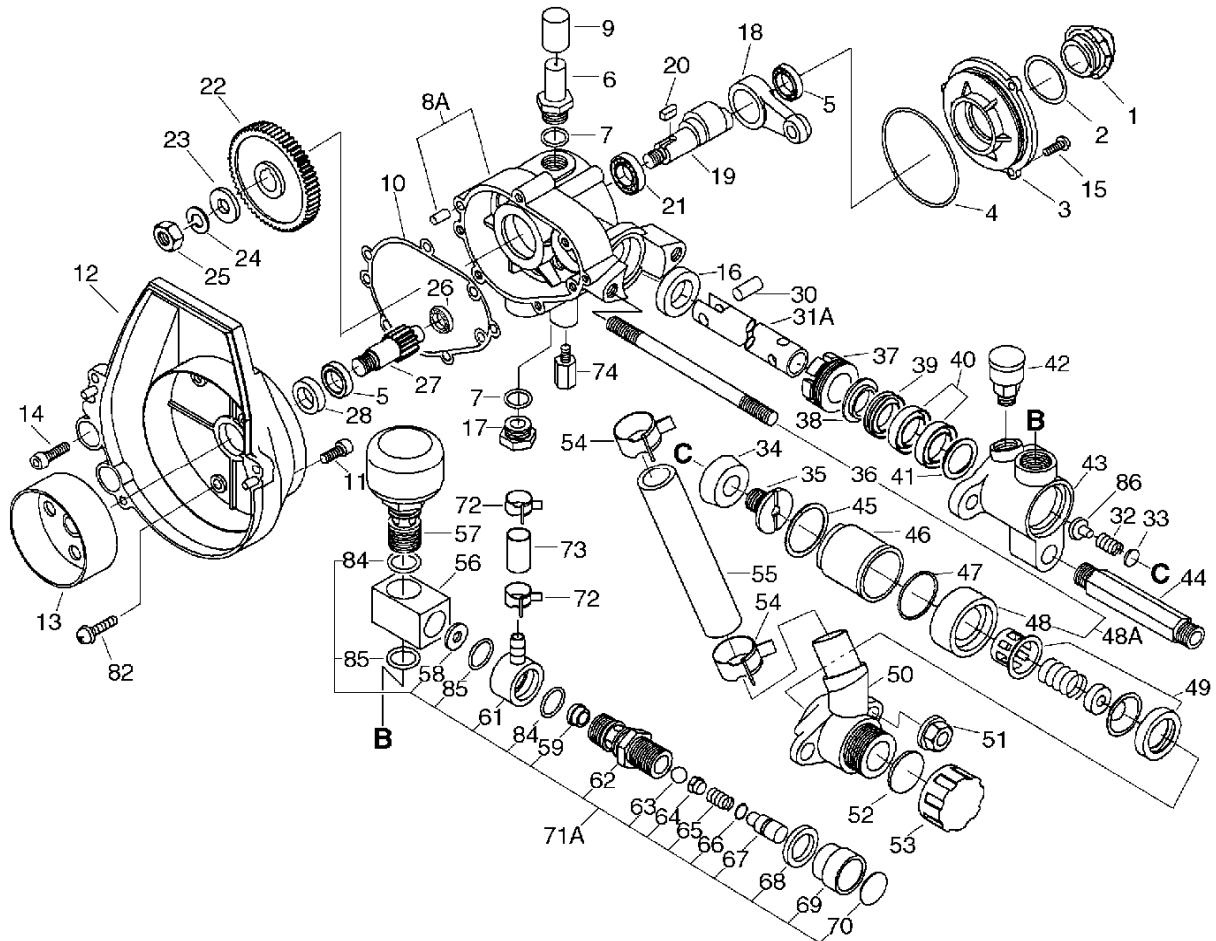
| KEY | LV | PART NUMBER | Q'TY | DESCRIPTION | REMARKS | NOTE1 | NOTE2 |
|-----|----|--------------|------|----------------------|---------|------------------------|-------|
| 23 | | 900600-00008 | 1 | WASHER 8 | 8 | | |
| 24 | | 900605-00008 | 1 | WASHER, SPRING 8 | 8 | | |
| 25 | | 706020-25950 | 1 | NUT | | | |
| 26 | | 900800-00609 | 1 | BEARING, BALL 609 | 609 | | |
| 27 | | 706020-27230 | 1 | PINION GEAR | | Sus. by 706 020-2723 1 | |
| 27 | | 706020-27231 | 1 | PINION SHAFT | | | |
| 28 | | 706020-28970 | 1 | OIL SEAL | | | |
| 30 | | 706020-30230 | 1 | PISTON PIN | | | |
| 31A | | 706020-31A13 | 1 | PLUNGER W/SPRINGSEAT | | | |
| 86 | + | 706150-86060 | 1 | SPRING SEAT | | | |
| 32 | | 706020-32010 | 1 | VALVE SPRING | | | |
| 33 | | 706020-33710 | 1 | DISK, VALVE | | | |
| 34 | | 706020-34770 | 1 | PISTON PACKING | | | |
| 35 | | 706020-35911 | 1 | VALVE SEAT | | | |
| 37 | | 706020-37620 | 1 | NUT GLAND | | | |
| 38 | | 706020-38720 | 1 | L-PACKING | | | |
| 39 | | 706020-39720 | 1 | GREASE RING | | | |
| 40 | | 706020-40771 | 1 | V-PACKING SET | | | |
| 41 | | 706020-41720 | 1 | ADAPTER | | | |
| 42 | | 706020-42040 | 1 | GREASE CUP | | | |
| 43 | | 706020-43421 | 1 | CYLINDER | | | |
| 44 | | 706020-45022 | 1 | JOINT | | | |
| 45 | | 706020-46780 | 1 | PACKING | | | |
| 46 | | 706020-47412 | 1 | SLEEVE | | | |
| 47 | | 706020-48970 | 1 | O-RING | | | |

5. Pressure Pump Single Nozzle Type



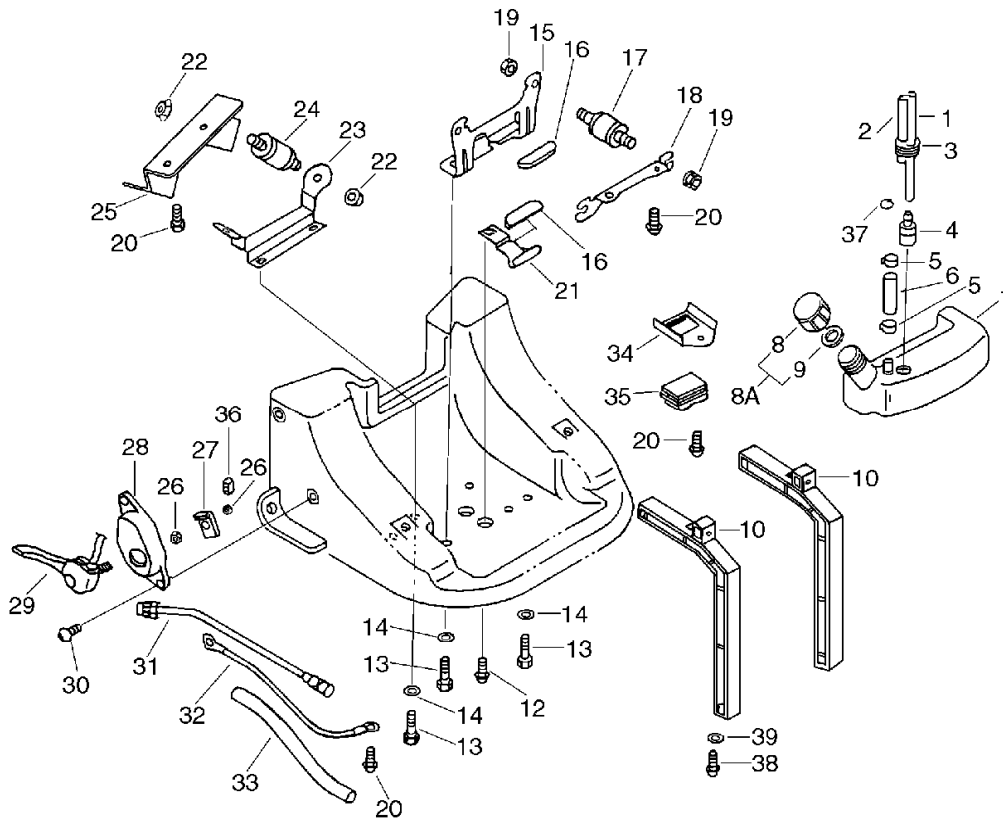
| KEY | LV | PART NUMBER | Q'TY | DESCRIPTION | REMARKS | NOTE1 | NOTE2 |
|-----|----|--------------|------|------------------|---------|------------------------|-------|
| 48A | | 706020-49A20 | 1 | VALVE CASING ASY | | | |
| 36 | + | 706020-36951 | 2 | STUD BOLT | | | |
| 48 | + | 706020-49821 | 1 | VALVE CASING | | | |
| 49 | | 706020-50000 | 1 | VALVE ASSY | | | |
| 50 | | 706150-50520 | 1 | INTAKE PIPE | | | |
| 51 | | 706020-52950 | 2 | NUT | | | |
| 52 | | 250210-11610 | 1 | GASKET DRAIN | | | |
| 53 | | 250211-11610 | 1 | CAP, DRAIN | | | |
| 54 | | 706150-54930 | 2 | BAND | | Sus. by 706 150-5493 1 | |
| 54 | | 706150-54931 | 2 | BAND | | | |
| 55 | | 706150-55770 | 1 | SUCTION HOSE | | 15*21*L90 | |
| 56 | | 706020-55621 | 1 | CONNECTOR | | | |
| 57 | | 706020-56411 | 1 | AIR CHAMBER | | | |
| 71A | | 706020-60A22 | 1 | REGULATOR ASY | | | |
| 58 | + | 706020-61760 | 1 | WASHER | | | |
| 59 | + | 706020-62012 | 1 | VALVE SEAT | | | |
| 61 | + | 706020-64620 | 1 | VALVE CASING | | | |
| 62 | + | 706020-65621 | 1 | SPRING CASING | | | |
| 63 | + | 706020-66011 | 1 | BALL VALVE | | | |
| 64 | + | 706020-67820 | 1 | SPRING SEAT | | | |
| 65 | + | 706020-68010 | 1 | PRESSURE SPRING | | | |
| 66 | + | 900720-00007 | 1 | O-RING 7 | P-7 | | |
| 67 | + | 706020-70620 | 1 | SPRING SEAT | | | |
| 68 | + | 706020-71920 | 1 | LOCK NUT | | | |
| 69 | + | 706020-72920 | 1 | REGULATOR CAP | | | |

5. Pressure Pump Single Nozzle Type



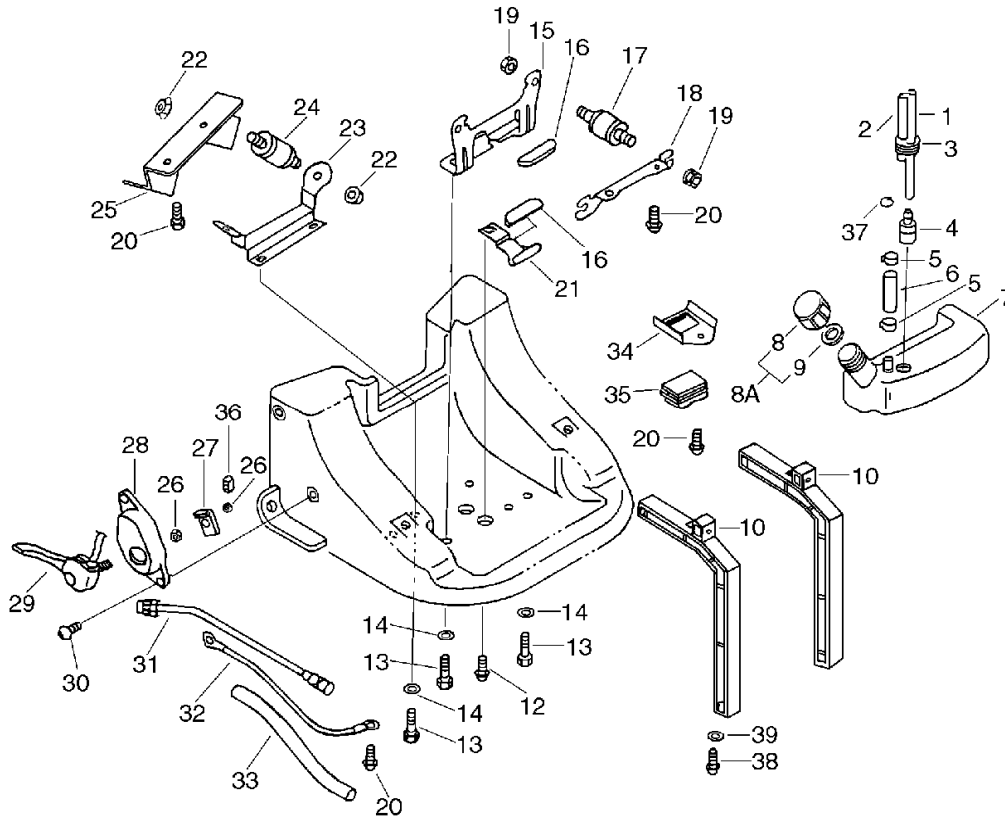
| KEY | LV | PART NUMBER | Q'TY | DESCRIPTION | REMARKS | NOTE1 | NOTE2 |
|-----|----|--------------|------|-----------------|---------|-----------|-------|
| 70 | + | 706020-73091 | 1 | REGULATOR LABEL | | | |
| 84 | + | 900720-01250 | 2 | O-RING 12.5 | P-12.5 | | |
| 85 | + | 900720-00016 | 2 | O-RING 16 | P-16 | | |
| 72 | | 132013-14010 | 2 | BAND | 10.5MM | | |
| 73 | | 706150-73760 | 1 | RETURN HOSE | | 7*11*L200 | |
| 74 | | 706150-74950 | 1 | ADAPTER | | | |
| 82 | | 900242-05025 | 4 | SCREW 5*25 | 5*25 | | |

6. Frame



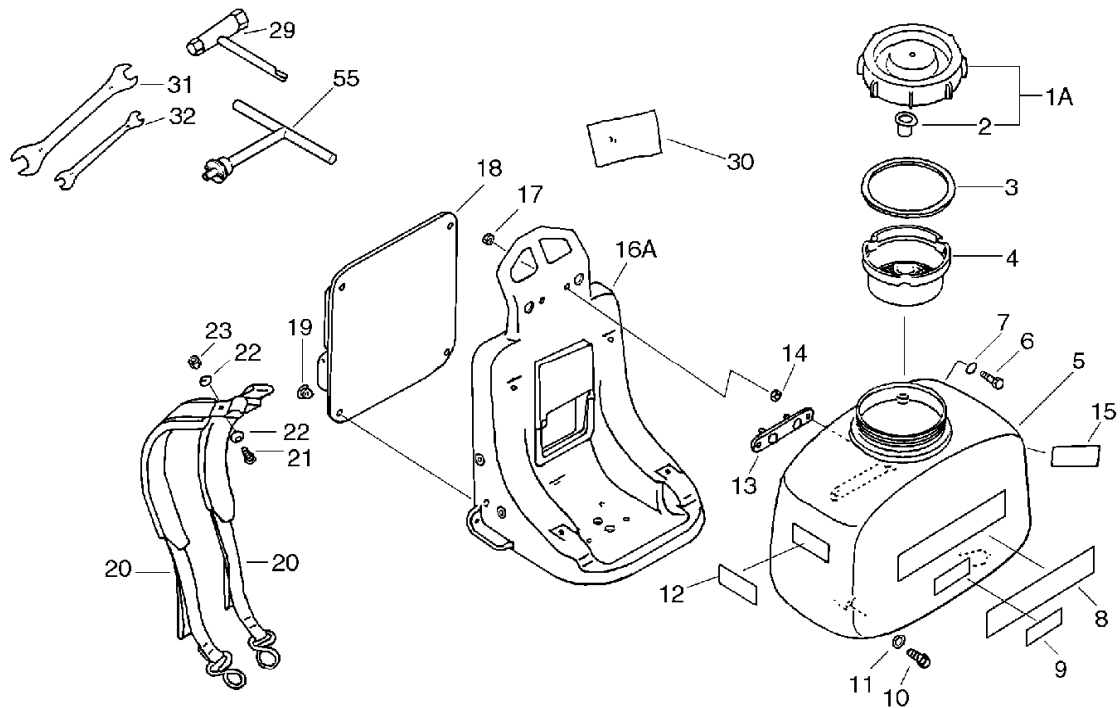
| KEY | LV | PART NUMBER | Q'TY | DESCRIPTION | REMARKS | NOTE1 | NOTE2 |
|-----|----|--------------|------|----------------------|----------|----------------------|-------|
| 1 | | 437210-15130 | 1 | PIPE, OIL | 3*6*200L | | |
| 2 | | 706160-02061 | 1 | FUEL HOSE | | | |
| 3 | | 132115-44330 | 1 | GROMMET | | | |
| 4 | | 131205-19830 | 1 | STRAINER, FUEL | | Sus. by 131205-19831 | |
| 5 | | 132013-14010 | 2 | BAND | 10.5MM | | |
| 6 | | 706160-06062 | 1 | FUEL OUTLET HOSE | 8*11*70 | 7.94*11.11*L50-55 | |
| 7 | | 706160-07560 | 1 | FUEL TANK | | | |
| 8A | | 706160-09A70 | 1 | FUEL TANK CAP ASY | | | |
| 8 | + | 706040-31761 | 1 | FUEL TANK CAP | | | |
| 9 | + | 706160-09771 | 1 | PACKING, F. TANK CAP | | | |
| 10 | | 706160-10460 | 2 | KNAPSACK FRAME | | | |
| 12 | | 900242-06015 | 4 | SCREW 6*15 | 6*15 | | |
| 13 | | 900104-06016 | 4 | BOLT 6*16 SUS | 6*16 SUS | | |
| 14 | | 706160-14950 | 4 | WASHER | | 6.5*19*T2 | |
| 15 | | 706160-15430 | 1 | BRACKET, FUEL TANK | | | |
| 16 | | 706160-16770 | 2 | CUSHION, FUEL TANK | | | |
| 17 | | 706160-17870 | 2 | CUSHION | | | |
| 18 | | 706160-18450 | 1 | BRACKET ENGINE | | | |
| 19 | | 900518-00005 | 4 | NUT, FLANGE 5 | 5 | | |
| 20 | | 900242-05012 | 5 | SCREW 5*12 | 5*12 | | |
| 21 | | 706160-21450 | 1 | BRACKET FUEL TANK | | | |
| 22 | | 900518-00006 | 4 | NUT, FLANGE | 6 | | |
| 23 | | 706160-23450 | 1 | PLATE, ANGLE | | | |
| 24 | | 706040-41870 | 2 | CUSHION | | | |

6. Frame



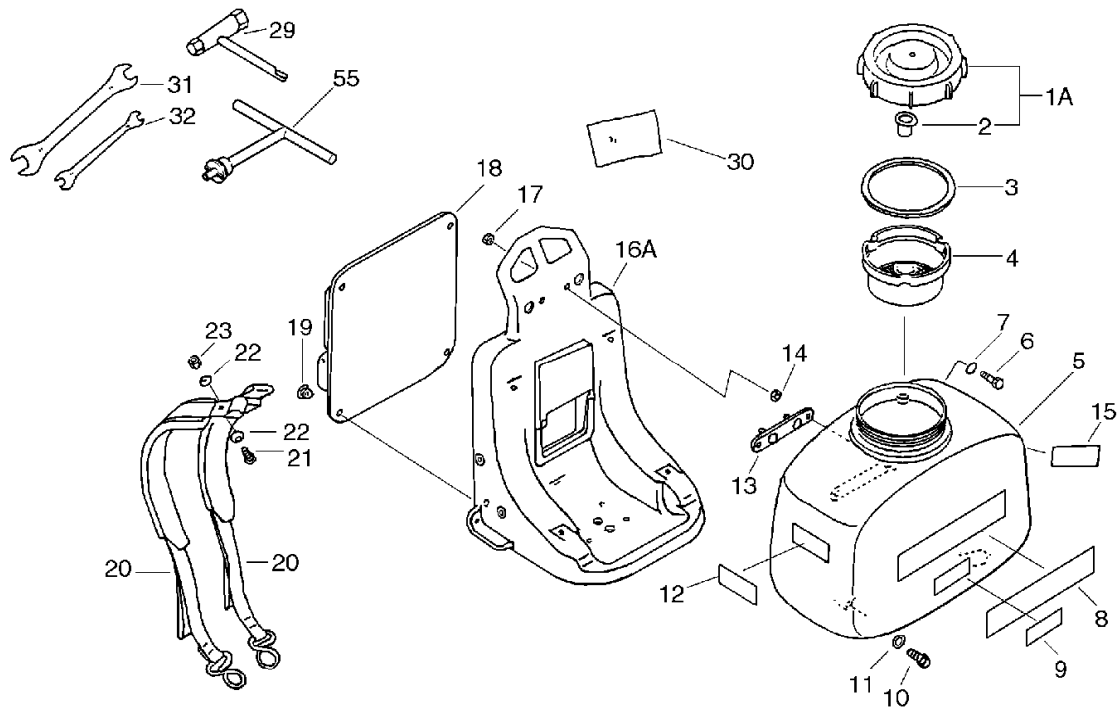
| KEY | LV | PART NUMBER | Q'TY | DESCRIPTION | REMARKS | NOTE1 | NOTE2 |
|-----|----|--------------|------|-------------------|---------|-------|-------|
| 25 | | 706160-25450 | 1 | PLATE,ANGLE | | | |
| 26 | | 900500-00005 | 2 | NUT 5 | 5 | | |
| 27 | | 706160-27050 | 1 | FIXED PLATE | | | |
| 28 | | 178123-14010 | 1 | BRACKET, THROTTLE | | | |
| 29 | | 706160-29260 | 1 | THROTTLE,CONTORL | | | |
| 30 | | 900242-05020 | 2 | SCREW 5*20 | 5*20 | | |
| 31 | | 706040-47000 | 1 | STOP SWITCH | | | |
| 32 | | 706160-32000 | 1 | LEAD | | | |
| 33 | | 706160-33760 | 1 | PROTECTED PIPE | | | |
| 34 | | 706160-34450 | 1 | PLATE ANGLE | | | |
| 35 | | 706160-35770 | 1 | CUSHION | | | |
| 36 | | 706160-36870 | 1 | GROMMET | | | |
| 37 | | 132013-26630 | 1 | CLIP | 6.5MM | | |
| 38 | | 706170-10910 | 2 | SCREW | | | |
| 39 | | 706170-11850 | 2 | WASHER | | | |

7. Harness, Chemical Tank, Tools



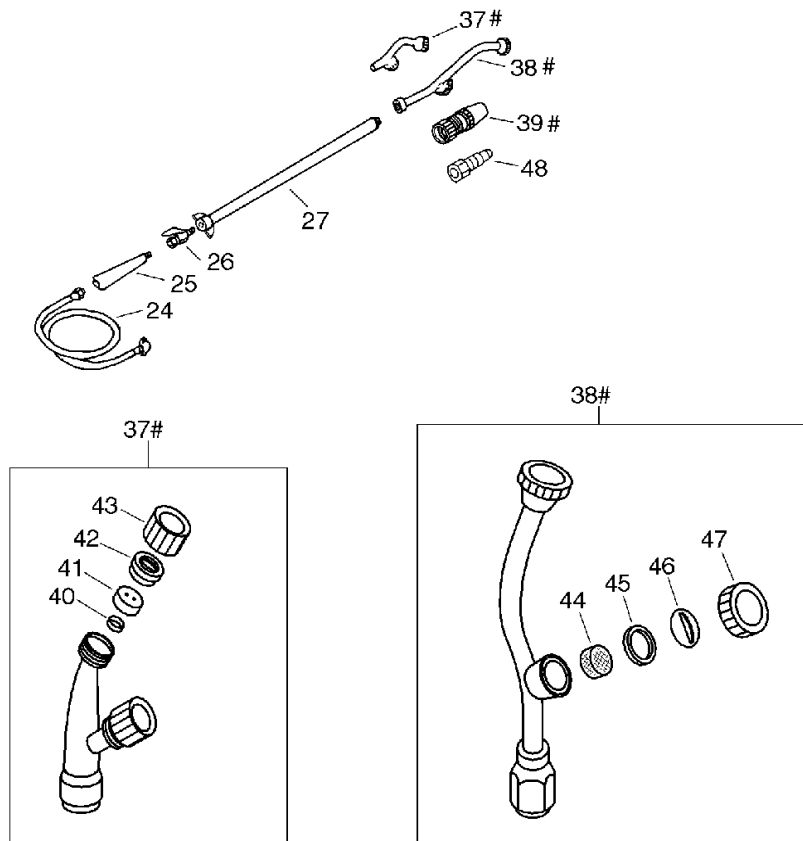
| KEY | LV | PART NUMBER | Q'TY | DESCRIPTION | REMARKS | NOTE1 | NOTE2 |
|-----|----|--------------|------|--------------------|------------|------------------------|-------|
| 1A | | 706040-01A61 | 1 | C.TANK CAP ASY | | | |
| 2 | + | 706040-02760 | 1 | BREATHER | | | |
| 3 | | 706040-03770 | 1 | PACKING,CH.TANK | | | |
| 4 | | 706040-06661 | 1 | FILTER,CH.TANK | | | |
| 5 | | 706170-05560 | 1 | CHEMICAL TANK | | | |
| 6 | | 253913-10910 | 2 | BOLT | | | |
| 7 | | 900722-00100 | 2 | O-RING P-10A | P-10A(NBR) | | |
| 8 | | 890118-12710 | 1 | LABEL, ECHO | | | |
| 9 | | 706170-09091 | 1 | LABEL, MODEL | SHP-800 | SHP-800S | |
| 10 | | 706170-10910 | 4 | SCREW | | | |
| 11 | | 706170-11850 | 4 | WASHER | | D5.2 D16 2T | |
| 12 | | 706170-12091 | 1 | LABEL, CAUTION S-E | | ENGLISH | |
| 12 | | 706170-12092 | 1 | LABEL, CAUTION S-S | | SPANISH | |
| 13 | | 706170-13410 | 1 | BRACKET TANK | | | |
| 14 | | 900518-00006 | 2 | NUT, FLANGE | 6 | | |
| 15 | | 706040-05091 | 1 | LABEL, CAUTION L-E | | ENGLISH | |
| 15 | | 706040-05092 | 1 | LABEL, CAUTION L-S | | SPANISH | |
| 16A | | 706170-16A60 | 1 | FRAME BACKPACK ASY | | Sus. by 706 170-16A6 2 | |
| 16A | | 706170-16A61 | 1 | FRAME BACKPACK ASY | | Sus. by 706 170-16A6 2 | |
| 16A | | 706170-16A62 | 1 | FRAME BACKPACK ASY | | | |
| 17 | | 706170-17960 | 2 | NUT, FLANGE | | | |
| 18 | | 300111-14010 | 1 | CUSHION, KNAPSACK | | | |
| 19 | | 706170-19060 | 4 | CLIP | | Sus. by 706 170-1906 1 | |

7. Harness, Chemical Tank, Tools



| KEY | LV | PART NUMBER | Q'TY | DESCRIPTION | REMARKS | NOTE1 | NOTE2 |
|-----|----|--------------|------|---------------------|---------|------------------------|-------|
| 19 | | 706170-19061 | 4 | CLIP | | | |
| 20 | | 706170-20080 | 2 | HARNESS BACKPACK | | Sus. by 706 170-2008 1 | |
| 20 | | 706170-20081 | 2 | HARNESS BACKPACK | | | |
| 21 | | 900216-05014 | 2 | SCREW 5*14 | 5*14 | | |
| 22 | | 706040-20850 | 4 | WASHER,HARNESS | | 5.2*22*2.0 | |
| 23 | | 900560-00005 | 2 | NUT, LOCK 5 | 5 | M5 U NUT | |
| 29 | | 895410-10630 | 1 | WRENCH, W/S. DRIVER | | | |
| 30 | | 706170-30060 | 1 | POLY BAG | | | |
| 31 | | 706170-31030 | 1 | SPANNER 14*17 | | | |
| 32 | | 706170-32030 | 1 | SPANNER 10*12 | | | |
| 55 | | 706170-55030 | 1 | TOOL, DRIVER | | | |

8. Single Nozzle



**Only one type of nozzle is supplied with your machine.
Other type of nozzles are available as option.**

| KEY | LV | PART NUMBER | Q'TY | DESCRIPTION | REMARKS | NOTE1 | NOTE2 |
|-----|----|--------------|------|---------------------|---------|-----------------------------|-------|
| 24 | | 706040-60762 | 1 | SPRAY HOSE ASY | | PF1/4 | |
| 25 | | 706040-61461 | 1 | NOZZLE GRIP | | PF1/4 | |
| 26 | | 706040-62621 | 1 | NOZZLE VALVE | | PF1/4 | |
| 27 | | 706170-27722 | 1 | NOZZLE PIPE | | PF1/4 | |
| 37# | | 706170-37960 | 1 | 2NOZZLE PLASTIC D-8 | | PLASTIC D-8 PF1/4 OPTION | |
| 40 | + | 706170-47620 | 2 | SCREEN | | BS | |
| 41 | + | 706170-48970 | 2 | PACKING | | NBR | |
| 42 | + | 706170-46630 | 2 | NOZZLE | | SUS 304 | |
| 43 | + | 706170-45720 | 2 | CAP, NOZZLE | | BS | |
| 38# | | 706170-38721 | 1 | 2NOZZLE METAL | | METAL K-5 PF1/4 OPTION | |
| 44 | + | 706170-47620 | 2 | SCREEN | | BS | |
| 45 | + | 706170-52970 | 2 | O-RING | | NBR | |
| 46 | + | 706170-51631 | 2 | NOZZLE TIP K-5 | | SUS 304 | |
| 47 | + | 706170-50720 | 2 | CAP, NOZZLE | | BS | |
| 39# | | 706170-39920 | 1 | 1 NOZZLE NO.33 | | METAL PF1/4 | |
| 48 | | 224103-10610 | 1 | NOZZLE, ADJUSTABLE | | OPTION | |

Index

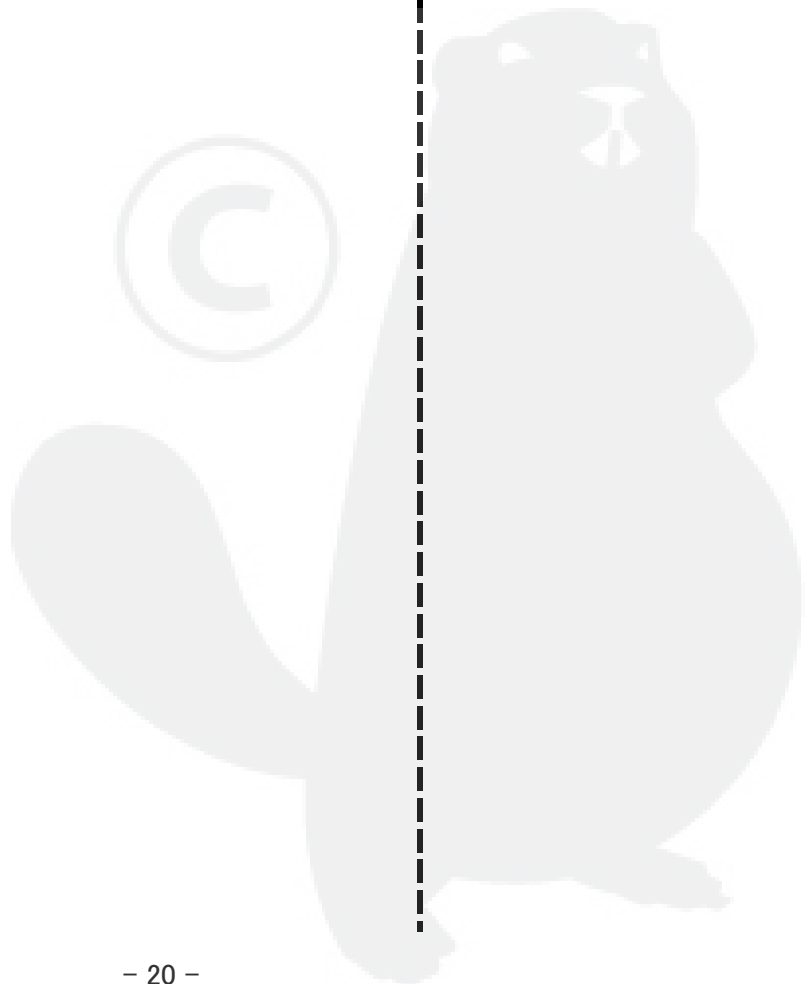
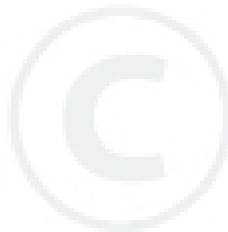
| Patrs Number | Key No. | Patrs Number | Key No. | Patrs Number | Key No. |
|---------------------|----------------|---------------------|----------------|---------------------|----------------|
| 100000-55932 | 1 - 7 | 131205-19830 | 6 - 4 | 706020-19230 | 5 - 19 |
| 100011-05330 | 1 - 8 | 132013-14010 | 5 - 72 | 706020-20030 | 5 - 20 |
| 100013-22330 | 1 - 10 | 132013-14010 | 6 - 5 | 706020-22231 | 5 - 22 |
| 100014-55930 | 1 - 12 | 132013-26630 | 6 - 37 | 706020-25950 | 5 - 25 |
| 100015-04630 | 1 - 9 | 132115-44330 | 6 - 3 | 706020-27230 | 5 - 27 |
| 100100-55930 | 1 - 13 | 145510-55932 | 3 - 18 | 706020-27231 | 5 - 27 |
| 100142-12330 | 1 - 14 | 145610-62630 | 3 - 17 | 706020-28970 | 5 - 28 |
| 100204-57031 | 1 - 15 | 145621-56530 | 3 - 13 | 706020-30230 | 5 - 30 |
| 100212-28230 | 1 - 21 | 150117-09130 | 2 - 13 | 706020-31A13 | 5 - 31A |
| 100213-05530 | 1 - 16 | 152626-55932 | 2 - 15 | 706020-32010 | 5 - 32 |
| 100242-55930 | 1 - 19 | 152801-56530 | 2 - 11 | 706020-33710 | 5 - 33 |
| 101010-55930 | 1 - 6 | 156112-28230 | 2 - 14 | 706020-34770 | 5 - 34 |
| 101011-61230 | 1 - 4 | 156112-40630 | 2 - 14 | 706020-35911 | 5 - 35 |
| 124111-05810 | 4 - 27 | 159010-19630 | 2 - 18 | 706020-36951 | 5 - 36 |
| 124113-13410 | 4 - 2 | 159011-03432 | 2 - 17 | 706020-37620 | 5 - 37 |
| 124114-05530 | 4 - 3 | 159012-03433 | 2 - 16 | 706020-38720 | 5 - 38 |
| 124115-05530 | 4 - 4 | 162010-55430 | 2 - 19 | 706020-39720 | 5 - 39 |
| 124116-05530 | 4 - 6 | 175009-55930 | 2 - 5 | 706020-40771 | 5 - 40 |
| 124122-15310 | 4 - 11 | 175009-55931 | 2 - 5 | 706020-41720 | 5 - 41 |
| 124123-13410 | 4 - 12 | 175046-56030 | 2 - 2 | 706020-42040 | 5 - 42 |
| 124124-13410 | 4 - 13 | 175049-56030 | 2 - 3 | 706020-43421 | 5 - 43 |
| 124129-13410 | 4 - 9 | 177202-12220 | 2 - 20 | 706020-45022 | 5 - 44 |
| 124149-13410 | 4 - 10 | 177214-02830 | 2 - 41 | 706020-46780 | 5 - 45 |
| 124158-13410 | 4 - 26 | 177218-40630 | 2 - 23 | 706020-47412 | 5 - 46 |
| 124160-11120 | 4 - 8 | 177218-44330 | 2 - 23 | 706020-48970 | 5 - 47 |
| 124162-13410 | 4 - 29 | 177226-10120 | 2 - 36 | 706020-49821 | 5 - 48 |
| 124172-13410 | 4 - 30 | 177227-42030 | 2 - 28 | 706020-49A20 | 5 - 48A |
| 124174-13410 | 4 - 25 | 177228-27030 | 2 - 27 | 706020-50000 | 5 - 49 |
| 124182-13410 | 4 - 15 | 177234-12220 | 2 - 22 | 706020-52950 | 5 - 51 |
| 124200-13220 | 3 - 6 | 177234-40630 | 2 - 22 | 706020-55621 | 5 - 56 |
| 124200-13220 | 4 - | 178123-14010 | 6 - 28 | 706020-56411 | 5 - 57 |
| 124317-49930 | 4 - 5 | 224103-10610 | 8 - 48 | 706020-60A22 | 5 - 71A |
| 124318-57030 | 4 - 7 | 250210-11610 | 5 - 52 | 706020-61760 | 5 - 58 |
| 124342-12710 | 4 - 23 | 250211-11610 | 5 - 53 | 706020-62012 | 5 - 59 |
| 124355-50130 | 4 - 16 | 253913-10910 | 7 - 6 | 706020-64620 | 5 - 61 |
| 124361-12710 | 4 - 17 | 300111-14010 | 7 - 18 | 706020-65621 | 5 - 62 |
| 124362-12710 | 4 - 19 | 305117-03360 | 2 - 52 | 706020-66011 | 5 - 63 |
| 124363-12710 | 4 - 20 | 437210-15130 | 6 - 1 | 706020-67820 | 5 - 64 |
| 124364-12710 | 4 - 18 | 706020-03742 | 5 - 3 | 706020-68010 | 5 - 65 |
| 124365-13410 | 4 - 21 | 706020-04970 | 5 - 4 | 706020-70620 | 5 - 67 |
| 124367-54230 | 4 - 31 | 706020-06920 | 5 - 6 | 706020-71920 | 5 - 68 |
| 124380-12710 | 4 - 22 | 706020-08A43 | 5 - 8A | 706020-72920 | 5 - 69 |
| 130010-55930 | 3 - 1 | 706020-09970 | 5 - 9 | 706020-73091 | 5 - 70 |
| 130010-56330 | 3 - 4 | 706020-10700 | 5 - 10 | 706040-01A61 | 7 - 1A |
| 130017-56431 | 3 - 2 | 706020-12241 | 5 - 12 | 706040-02760 | 7 - 2 |
| 130300-13411 | 3 - 8 | 706020-13250 | 5 - 13 | 706040-03770 | 7 - 3 |
| 130307-13410 | 3 - 9 | 706020-16970 | 5 - 16 | 706040-05091 | 7 - 15 |
| 130308-13410 | 3 - 11 | 706020-17920 | 5 - 17 | 706040-05092 | 7 - 15 |
| 130310-13410 | 3 - 10 | 706020-18220 | 5 - 18 | 706040-06661 | 7 - 4 |

Index

| Patrs Number | Key No. | Patrs Number | Key No. | Patrs Number | Key No. |
|---------------------|----------------|---------------------|----------------|---------------------|----------------|
| 706040-20850 | 7 - 22 | 706170-16A60 | 7 - 16A | 900242-06015 | 6 - 12 |
| 706040-31761 | 6 - 8 | 706170-16A61 | 7 - 16A | 900253-05020 | 2 - 25 |
| 706040-41870 | 6 - 24 | 706170-16A62 | 7 - 16A | 900500-00005 | 6 - 26 |
| 706040-47000 | 6 - 31 | 706170-17960 | 7 - 17 | 900502-00008 | 2 - 8 |
| 706040-60762 | 8 - 24 | 706170-19060 | 7 - 19 | 900518-00005 | 6 - 19 |
| 706040-61461 | 8 - 25 | 706170-19061 | 7 - 19 | 900518-00006 | 6 - 22 |
| 706040-62621 | 8 - 26 | 706170-20080 | 7 - 20 | 900518-00006 | 7 - 14 |
| 706130-05230 | 3 - 5 | 706170-20081 | 7 - 20 | 900560-00005 | 7 - 23 |
| 706150-01951 | 5 - 1 | 706170-27722 | 8 - 27 | 900565-00005 | 2 - 45 |
| 706150-01953 | 5 - 1 | 706170-30060 | 7 - 30 | 900600-00005 | 3 - 16 |
| 706150-01954 | 5 - 1 | 706170-31030 | 7 - 31 | 900600-00008 | 2 - 10 |
| 706150-02781 | 5 - 2 | 706170-32030 | 7 - 32 | 900600-00008 | 5 - 23 |
| 706150-50520 | 5 - 50 | 706170-37960 | 8 - 37# | 900605-00008 | 2 - 9 |
| 706150-54930 | 5 - 54 | 706170-38721 | 8 - 38# | 900605-00008 | 5 - 24 |
| 706150-54931 | 5 - 54 | 706170-39920 | 8 - 39# | 900700-00004 | 2 - 21 |
| 706150-55770 | 5 - 55 | 706170-45720 | 8 - 43 | 900702-00028 | 1 - 18 |
| 706150-73760 | 5 - 73 | 706170-46630 | 8 - 42 | 900720-00007 | 5 - 66 |
| 706150-74950 | 5 - 74 | 706170-47620 | 8 - 40 | 900720-00016 | 5 - 85 |
| 706150-86060 | 5 - 86 | 706170-47620 | 8 - 44 | 900720-01250 | 5 - 84 |
| 706160-02061 | 6 - 2 | 706170-48970 | 8 - 41 | 900722-00100 | 7 - 7 |
| 706160-06062 | 6 - 6 | 706170-50720 | 8 - 47 | 900722-30112 | 5 - 7 |
| 706160-07560 | 6 - 7 | 706170-51631 | 8 - 46 | 900800-00609 | 5 - 26 |
| 706160-09771 | 6 - 9 | 706170-52970 | 8 - 45 | 900800-06001 | 5 - 5 |
| 706160-09A70 | 6 - 8A | 706170-55030 | 7 - 55 | 900800-36001 | 1 - 17 |
| 706160-10460 | 6 - 10 | 890118-12710 | 7 - 8 | 900810-06201 | 5 - 21 |
| 706160-14950 | 6 - 14 | 890160-06361 | 2 - 50 | 91128-04022 | 2 - 12 |
| 706160-15430 | 6 - 15 | 895410-10630 | 7 - 29 | A051-000113 | 2 - 26 |
| 706160-16770 | 6 - 16 | 900 105-0501 2 | 2 - 42 | A051-000390 | 2 - 26 |
| 706160-17870 | 6 - 17 | 900104-06016 | 6 - 13 | A051-000520 | 2 - 26 |
| 706160-18450 | 6 - 18 | 900105-05055 | 3 - 15 | A051-000521 | 2 - 26 |
| 706160-21450 | 6 - 21 | 900106-05008 | 3 - 14 | A052-000030 | 2 - 20 |
| 706160-23450 | 6 - 23 | 900162-04014 | 2 - 44 | A053-000011 | 2 - 53 |
| 706160-25450 | 6 - 25 | 900162-04022 | 2 - 12 | A160-000030 | 1 - 2 |
| 706160-27050 | 6 - 27 | 900162-05018 | 5 - 11 | A503-000010 | 2 - 29 |
| 706160-29260 | 6 - 29 | 900162-05022 | 1 - 5 | A504-000000 | 2 - 31 |
| 706160-32000 | 6 - 32 | 900162-05025 | 3 - 3 | A504-000001 | 2 - 31 |
| 706160-33760 | 6 - 33 | 900162-05025 | 5 - 14 | A506-000010 | 2 - 35 |
| 706160-34450 | 6 - 34 | 900216-05014 | 7 - 21 | A509-000030 | 2 - 36 |
| 706160-35770 | 6 - 35 | 900238-05016 | 3 - 12 | A514-000010 | 2 - 37 |
| 706160-36870 | 6 - 36 | 900241-03010 | 4 - 14 | A520-000002 | 2 - 40 |
| 706170-05560 | 7 - 5 | 900241-03014 | 4 - 24 | A520-000022 | 2 - 40 |
| 706170-09091 | 7 - 9 | 900241-05016 | 4 - 1 | G231-000021 | 3 - 19 |
| 706170-10910 | 6 - 38 | 900242-04012 | 5 - 15 | P021-002411 | 2 - 39 |
| 706170-10910 | 7 - 10 | 900242-05012 | 6 - 20 | P021-004030 | 2 - 39 |
| 706170-11850 | 6 - 39 | 900242-05014 | 1 - 1 | V152-000990 | 2 - 46 |
| 706170-11850 | 7 - 11 | 900242-05020 | 6 - 30 | V253-000060 | 2 - 42 |
| 706170-12091 | 7 - 12 | 900242-05025 | 1 - 20 | V304-000010 | 2 - 7 |
| 706170-12092 | 7 - 12 | 900242-05025 | 5 - 82 | V306-000020 | 2 - 4 |
| 706170-13410 | 7 - 13 | 900242-05050 | 3 - 7 | V355-000080 | 2 - 32 |

Index

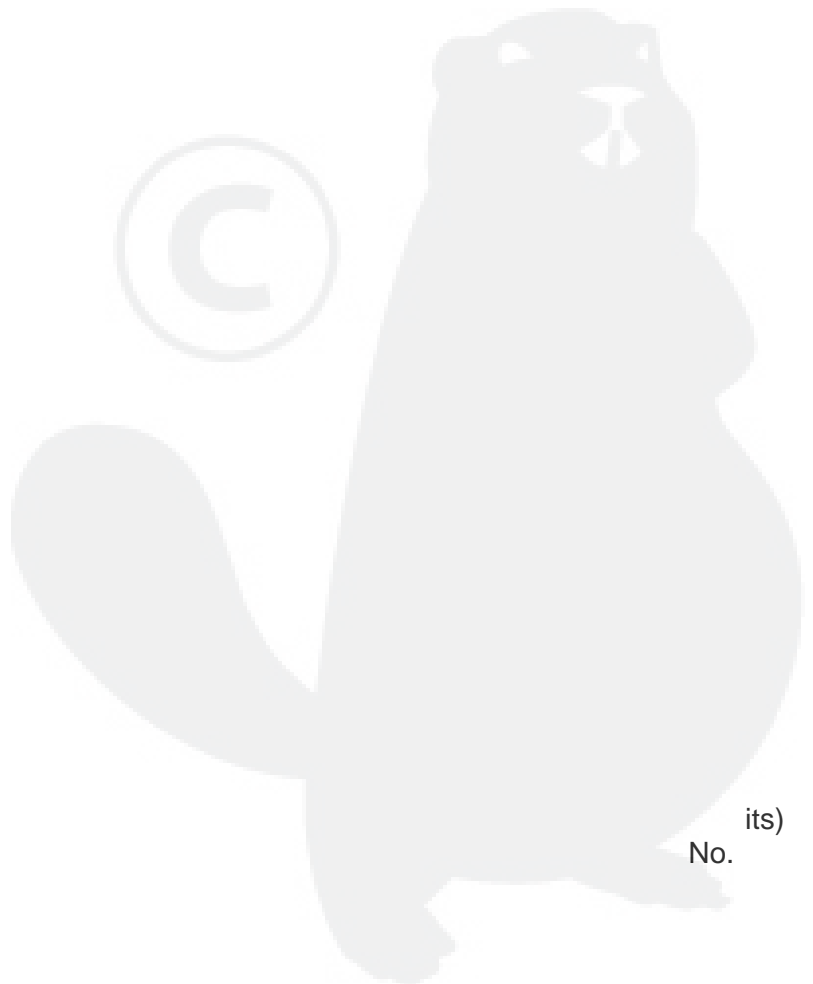
| Patrs Number | Key No. | Patrs Number | Key No. | Patrs Number | Key No. |
|---------------------|----------------|---------------------|----------------|---------------------|----------------|
| V376-000160 | 2 - 43 | | | | |
| V376-000190 | 2 - 43 | | | | |
| V450-000130 | 2 - 38 | | | | |
| V553-000020 | 1 - 11 | | | | |
| V641-000040 | 2 - 33 | | | | |
| X502-000030 | 2 - 47 | | | | |
| X505-000620 | 2 - 49 | | | | |



YAMABIKO CORPORATION

7-2 SUEHIROCHO 1-CHOME, OHME, TOKYO 198-8760, JAPAN
PHONE: 81-428-32-6118. FAX: 81-428-32-6145.

ECHO[®]



its)
No.