

RB-60

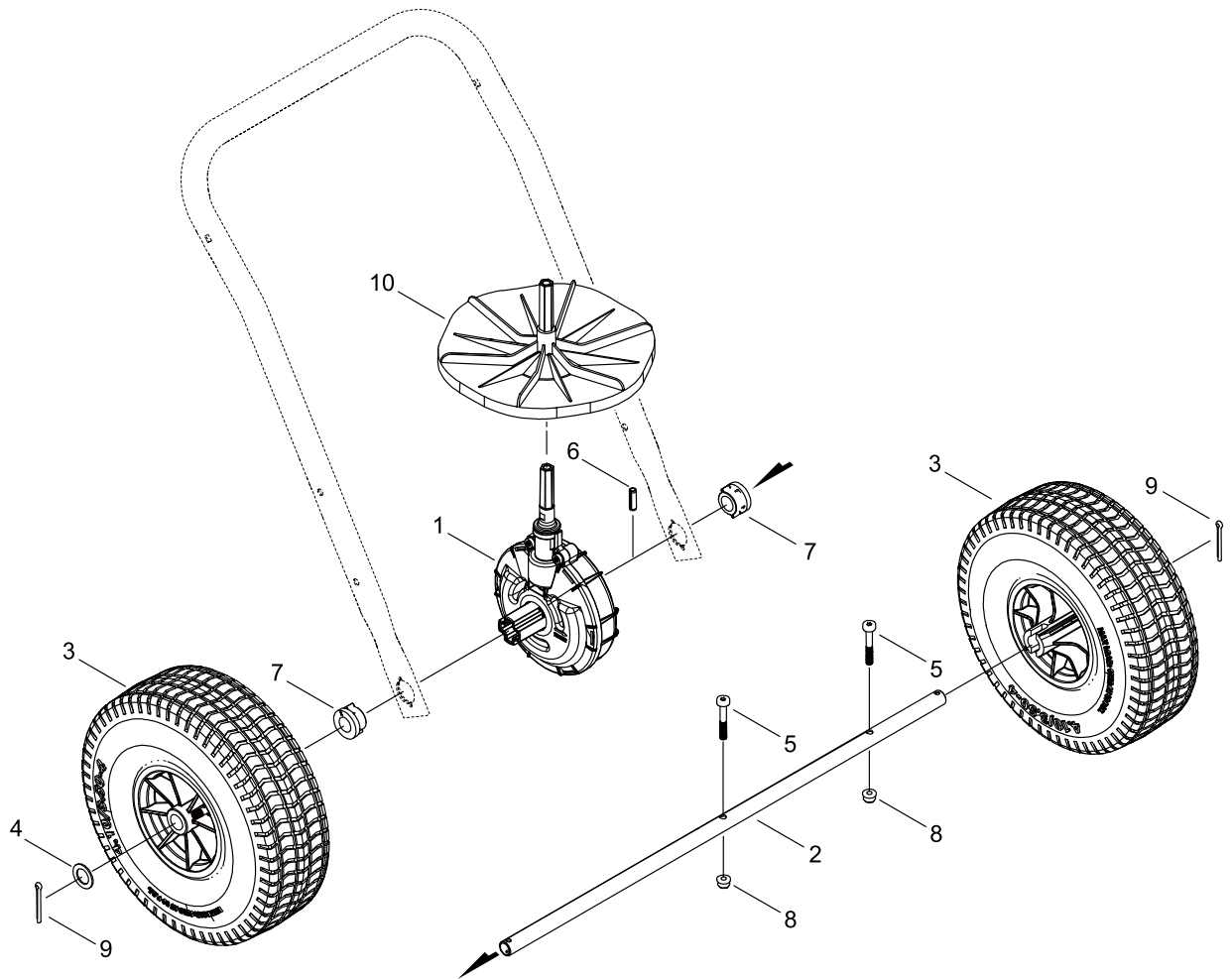
Serial number: 35000001-35999999

Last update date: 06/27/2020

TABLE OF CONTENTS

GEAR CASE.....	1
HANDLE FRAME.....	3
HOPPER.....	5

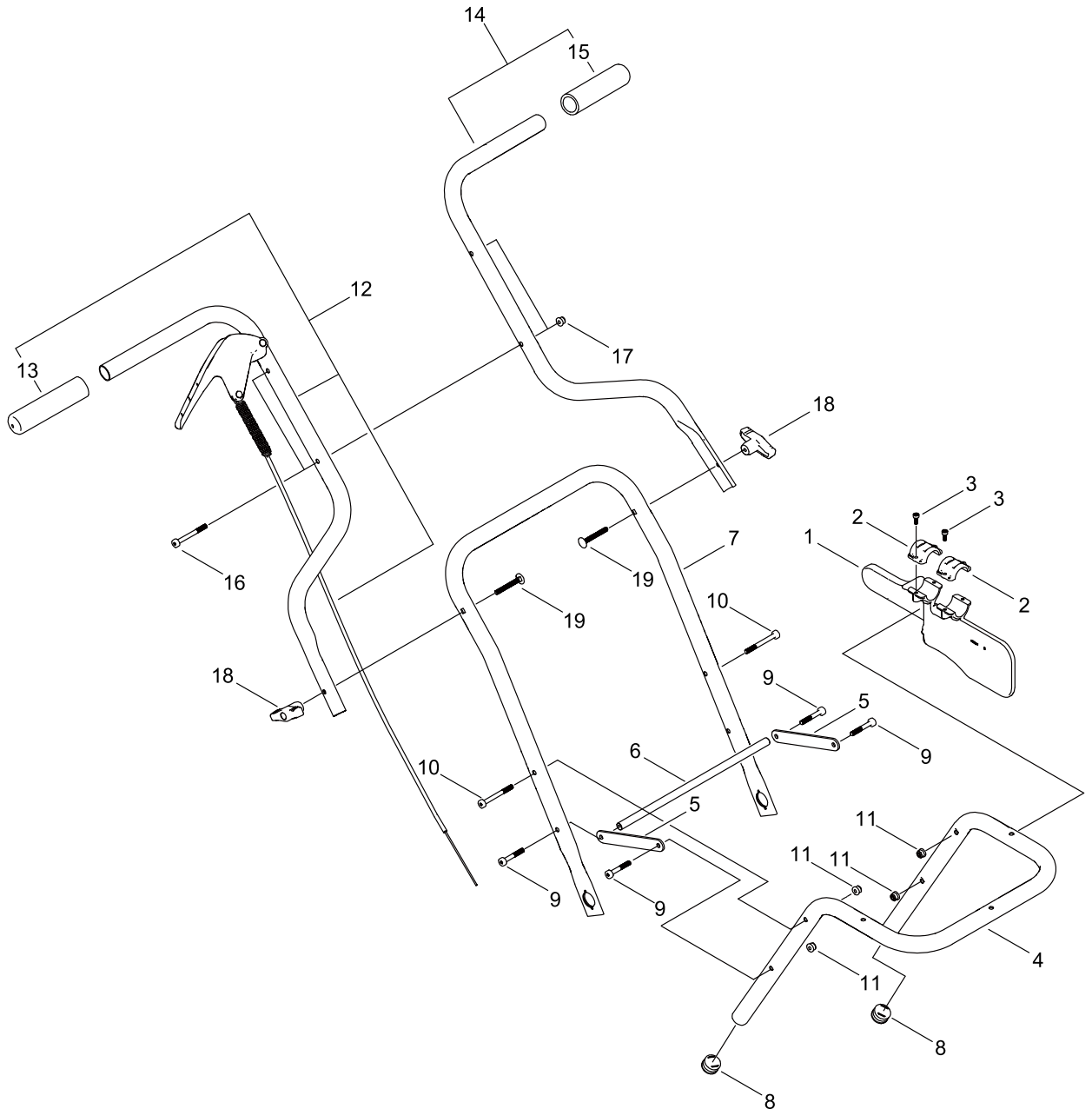
GEAR CASE



GEAR CASE

Key No.	LV (+)	Part No	Description	Qty	Standard
1		P021-053090	GEARBOX ASY	1	
2		C504-001380	SHAFT, DRIVE	1	DRIVE BAR
3		C730-000131	WHEEL	2	TIRE ASSEMBLY
4		V311-000200	WASHER,CIRCULAR 16-1	1	
5		V204-001850	BOLT,6	1	M6*40MM
6		V645-000030	PIN,SPIRAL	1	.245 * .875
7		C501-000150	BEARING, SHAFT	2	
8		92108-06000	NUT, FLANGE	1	6
9		V640-001070	PIN,CLEVIS	2	4MM X 32MM
10		E021-000040	SPREADER	1	SPREADER TRAY

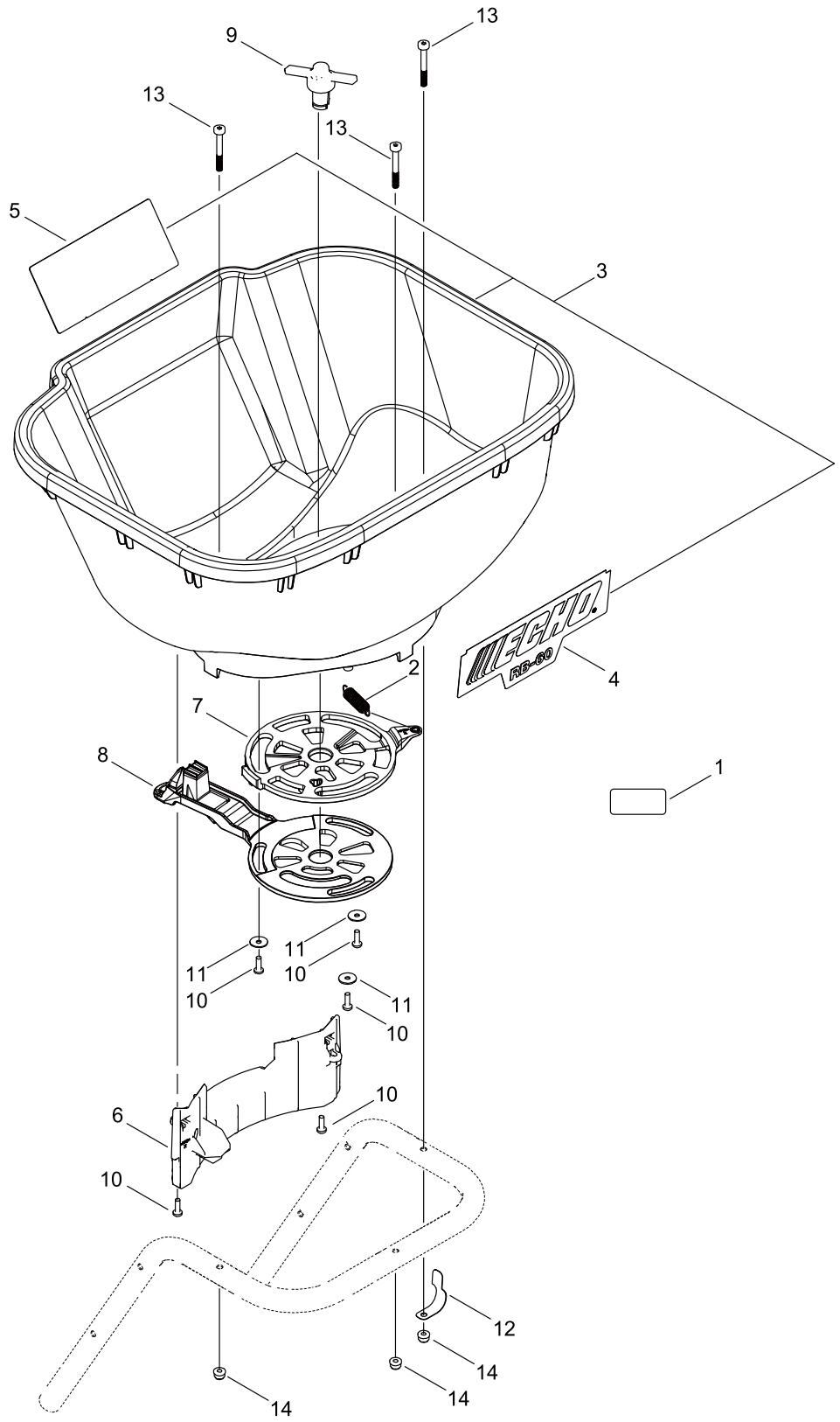
HANDLE FRAME



HANDLE FRAME

Key No.	LV (+)	Part No	Description	Qty	Standard
1		A179-000060	SHIELD	1	DEFLECTOR
2		C551-000230	BRACKET,SHIELD	2	DEFLECTOR CLAMP
3		V804-000000	BOLT, TORX 4	4	TT-4*12 DG 10.9
4		C600-001820	FRAME	1	BLACKPOWDER COAT
5		C602-000040	BRACE, FRAME	2	SPREADER BRACE
6		C602-000050	BRACE, FRAME	1	SPREADER BRACE
7		C600-001830	FRAME	1	BLACKPOWDER COAT
8		C525-000090	CAP,MAIN PIPE	2	THERMOPLASTIC
9		V204-001850	BOLT,6	4	M6*40MM
10		V204-001870	BOLT,6	2	M6*60MM
11		92108-06000	NUT, FLANGE	4	6
12		P100-010180	HANDLE ASY	1	
13	+	C403-000930	GRIP, HANDLE	1	RTX MATTE
14		P021-053110	HANDLE ASY	1	
15	+	C403-000930	GRIP, HANDLE	1	RTX MATTE
16		V204-001870	BOLT,6	2	M6*60MM
17		92108-06000	NUT, FLANGE	2	6
18		V299-000660	KNOB,FASTENER	2	M6X1 WING ASS'Y
19		V204-001840	BOLT,6	2	M6 THREAD* L=50MM

HOPPER



HOPPER

Key No.	LV (+)	Part No	Description	Qty	Standard
1		X505-011090	LABEL,CAUTION	2	
2		V451-001610	SPRING,TENSION	1	
3		G400-000090	HOPPER	1	ASSEMBLY W/ LABEL
4	+	X502-001170	LABEL,ECHO	1	SPREADER
5	+	X532-005980	LABEL,OPERATION	1	SETTINGS LABEL
6		A422-000480	BRACKET,COVER	1	BRACKET
7		C627-000190	PLATE, ROTATION	1	MATERIAL CHUTE
8		C627-000180	PLATE, ROTATION	1	METERING PLATE
9		E156-000010	AGITATOR	1	AGITATOR
10		V805-000000	BOLT, TORX 5	5	TT-5*16 DG 10.9
11		V303-000390	WASHER,CIRCULAR 5	3	5.16*19.05*1.20
12		V490-001720	CLIP	1	SPREADER CLIP
13		V204-001860	BOLT,6	3	M6*50MM
14		92108-06000	NUT, FLANGE	3	6

NUMERICAL PARTS INDEX

Part No	Part description	Page
92108-06000	NUT, FLANGE	2
92108-06000	NUT, FLANGE	4
92108-06000	NUT, FLANGE	6
A179-000060	SHIELD	4
A422-000480	BRACKET,COVER	6
C403-000930	GRIP, HANDLE	4
C501-000150	BEARING, SHAFT	2
C504-001380	SHAFT, DRIVE	2
C525-000090	CAP,MAIN PIPE	4
C551-000230	BRACKET,SHIELD	4
C600-001820	FRAME	4
C600-001830	FRAME	4
C602-000040	BRACE, FRAME	4
C602-000050	BRACE, FRAME	4
C627-000180	PLATE, ROTATION	6
C627-000190	PLATE, ROTATION	6
C730-000131	WHEEL	2
E021-000040	SPREADER	2
E156-000010	AGITATOR	6
G400-000090	HOPPER	6
P021-053090	GEARBOX ASY	2
P021-053110	HANDLE ASY	4
P100-010180	HANDLE ASY	4
V204-001840	BOLT,6	4
V204-001850	BOLT,6	2
V204-001850	BOLT,6	4
V204-001860	BOLT,6	6
V204-001870	BOLT,6	4
V299-000660	KNOB,FASTENER	4
V303-000390	WASHER,CIRCULAR 5	6
V311-000200	WASHER,CIRCULAR 16-1	2
V451-001610	SPRING,TENSION	6
V490-001720	CLIP	6
V640-001070	PIN,CLEVIS	2
V645-000030	PIN,SPIRAL	2
V804-000000	BOLT, TORX 4	4
V805-000000	BOLT, TORX 5	6
X502-001170	LABEL,ECHO	6
X505-011090	LABEL,CAUTION	6
X532-005980	LABEL,OPERATION	6