

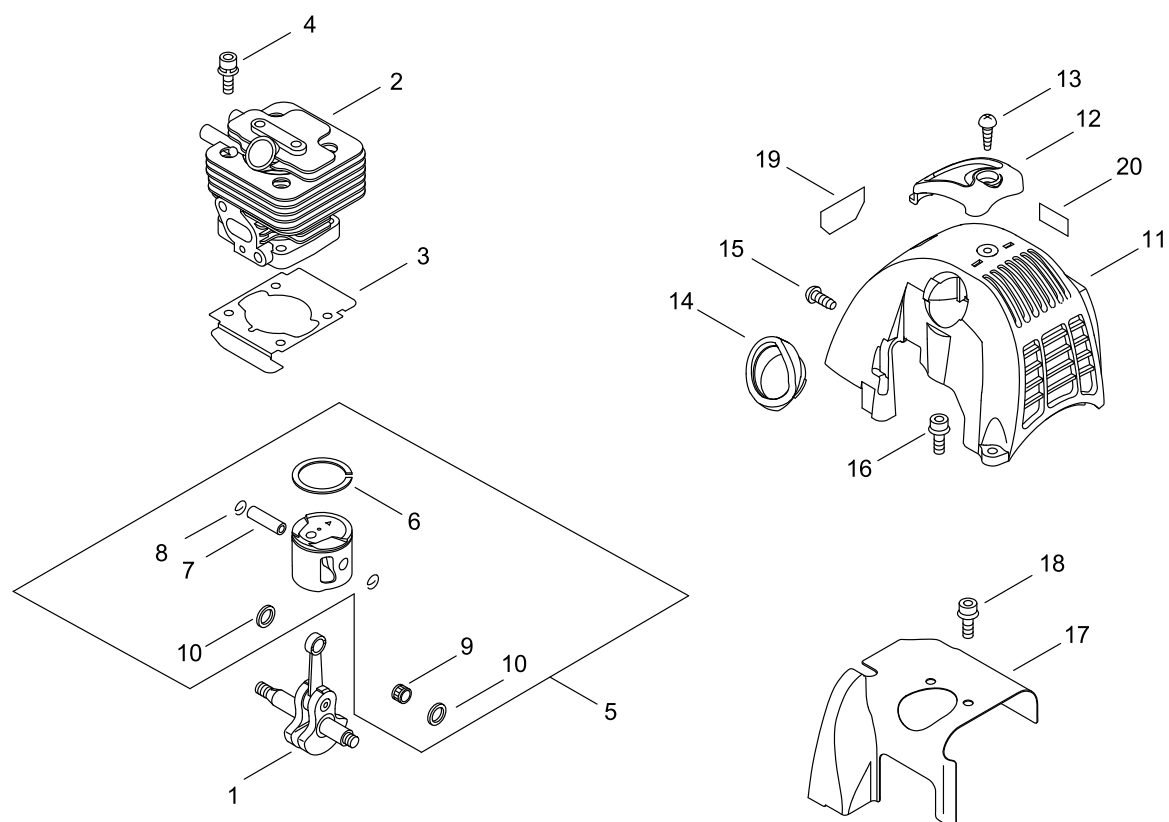
HCA-265ES-HD

Published:11/16/2017

TABLE OF CONTENTS

CYLINDER, PISTON, CRANKSHAFT.....	1
CRANKCASE	3
MAGNETO.....	5
CLUTCH.....	7
AIR CLEANER, CARBURETOR.....	9
CARBURETOR.....	11
FUEL TANK.....	13
MUFFLER	15
RECOIL STARTER, PULLY	17
GEAR CASE.....	19
CUTTING BLADE.....	21
MAIN PIPE	23
THROTTLE	25
ACCESSORIES.....	27

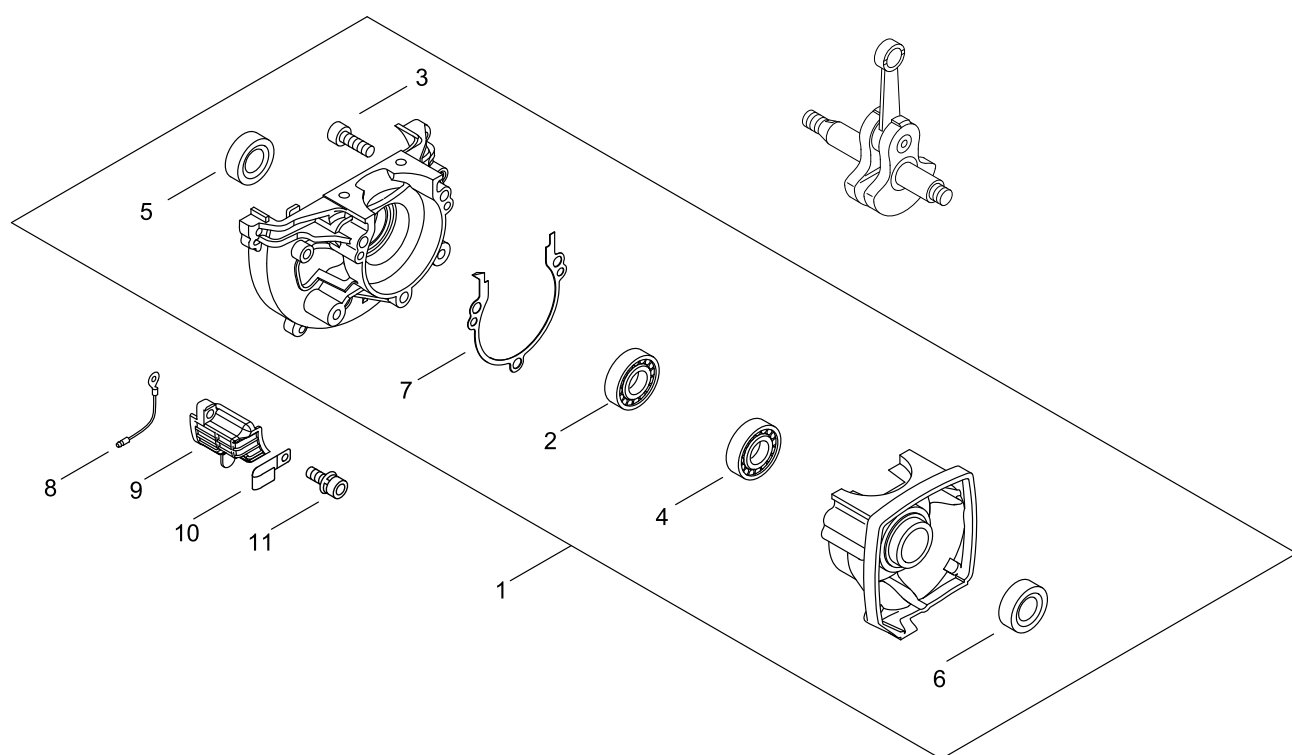
CYLINDER, PISTON, CRANKSHAFT



CYLINDER, PISTON, CRANKSHAFT

KEY NO	LV(+)	Part No	Description	Qty	Standard	Comment
1		A011-000434	CRANKSHAFT,ASY	1		
2		A130-000761	CYLINDER	1		
3		V100-000210	GASKET,CYL	1	T0.5 38.1	
4		900162-05025	BOLT, H.S. 5*25	4	5*25 W,SW	
5		P021-009771	PISTON KIT	1		
6	+	A101-000170	RING, PISTON	1	34*1.5*1.5	
7	+	100013-35430	PIN, PISTON	1	6*9*27.8	
8	+	100015-03931	CIRCLIP, PISTON PIN	2		
9	+	100012-16131	BEARING, NEEDLE	1		
10	+	100014-53630	SPACER, PISTON PIN	2		
11		A160-000780	COVER,CYLINDER	1		
12		A162-000100	GUARD, TOP	1		
13		900256-05016	SCREW, TAPPING	1	5*16	
14		A162-000080	GUARD, TOP	1		
15		91140-05012	BOLT	1	M5*12	
16		900106-05014	BOLT, H.S. 5*14	1	5*14	
17		A160-000691	COVER,CYLINDER	1		
18		900106-05008	BOLT, H.S. 5* 8	2	5*8	
19		X547-000930	LABEL,ECHO	1	ECHO+ HCA-265ES	
20		X505-007710	LABEL,CAUTION	1		

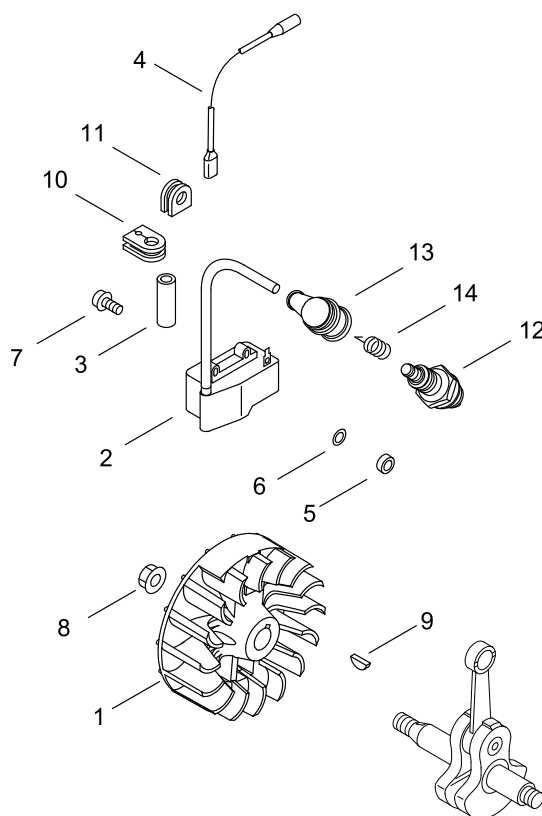
CRANKCASE



CRANKCASE

KEY NO	LV(+)	Part No	Description	Qty	Standard	Comment
1		P021-010801	CRANKCASE KIT	1		
2	+	94035-36201	BEARING BALL	1	6201X3JR2C3	
3	+	900162-05028	BOLT, H.S. 5*28	3	5*28 W,SW	
4	+	94035-36201	BEARING BALL	1	6201X3JR2C3	
5	+	100212-42031	OILSEAL	1	ISCD 12*22*4.5	
6	+	V505-000050	SEAL,OIL 12	1		
7	+	100242-42030	GASKET, CRANKCASE	1		
8		156635-43130	LEAD, GROUND	1		
9		A127-000160	COVER,DUST	1		
10		159116-21231	CLAMP	1		
11		900162-05016	BOLT, H.S. 5*16	1	5*16 W,SW	

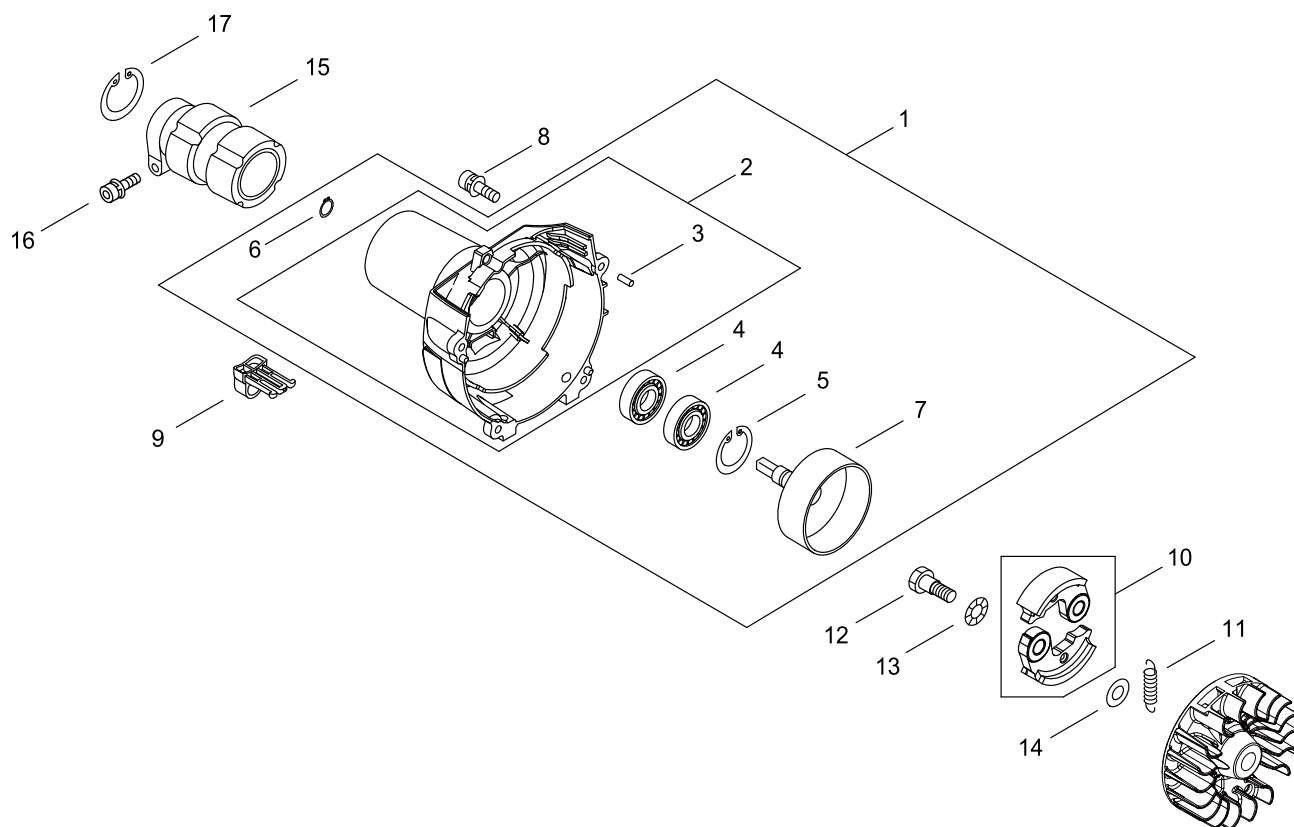
MAGNETO



MAGNETO

KEY NO	LV(+)	Part No	Description	Qty	Standard	Comment
1		A409-001222	ROTOR, MAGNETO	1	ID:C10744	
2		A411-000251	COIL, IGNITION	1	ID#C10048	
3		V475-003380	TUBE	1		
4		162010-04561	LEAD, GROUND	1	210L	
5		V322-000031	WASHER,CIRCULAR 4	2		
6		900603-00004	WASHER 4	2	4.5*10*0.8	
7		V202-000130	BOLT,4	2	CBF-4*20	
8		900515-00008	NUT, FLANGE 8	1	8	
9		100142-12330	KEY, WOODRUFF	1		
10		V135-000030	GROMMET,HT CORD	1		
11		156110-04920	BUSHING	1		
12		A425-000000	SPARKPLUG	1	BPMR8Y	
13		A427-000013	CAP,SPARK PLUG	1		
14		A426-000010	TERMINAL,SPARKPLUG	1		

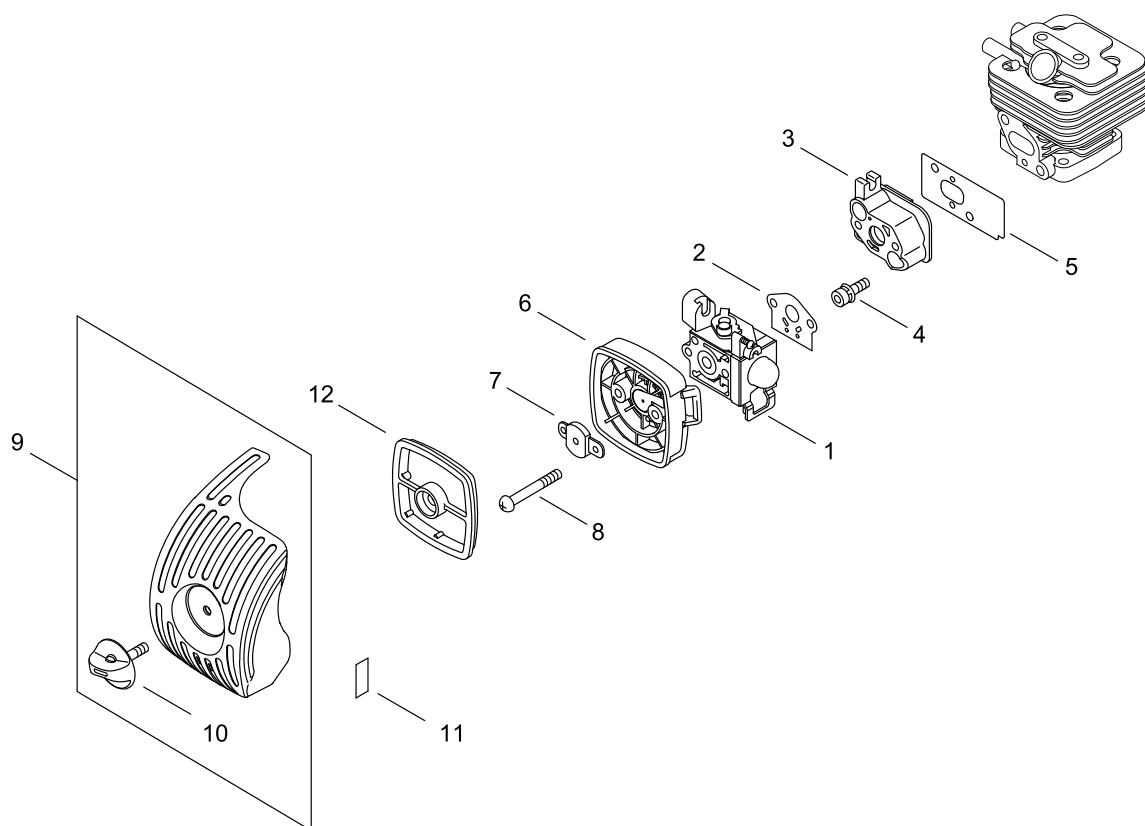
CLUTCH



CLUTCH

KEY NO	LV(+)	Part No	Description	Qty	Standard	Comment
1		P021-047710	COVER ASY, FAN	1		
2	+	A172-000750	COVER,FAN	1		
3	++	900330-40080	PIN F 4*8	2	4*8	
4	+	900807-06001	BEARING, BALL 6001	2	6001V(LB)	
5	+	900702-00028	CIRCLIP 28	1	CR-28	
6	+	900701-00012	CIRCLIP 12	1	CS-12	
7	+	A556-000390	DRUM, CLUTCH	1		
8		900163-04016	BOLT HSH	4		
9		V491-000180	CLIP	1		
10		P021-046900	CLUTCH SHOE SET	1		
11		V451-001390	SPRING,TENSION	1	172N/34MM	
12		175046-56030	SHAFT, CLUTCH	2		
13		175049-56030	WASHER	2	8.5*16*0.5	
14		175048-05530	WASHER (I)	2	6.2*19*1.0	
15		A575-000110	FIXTURE,MAIN PIPE	1		
16		900162-05028	BOLT, H.S. 5*28	1	5*28 W,SW	
17		900702-00042	CIRCLIP 42	1	CR-42	

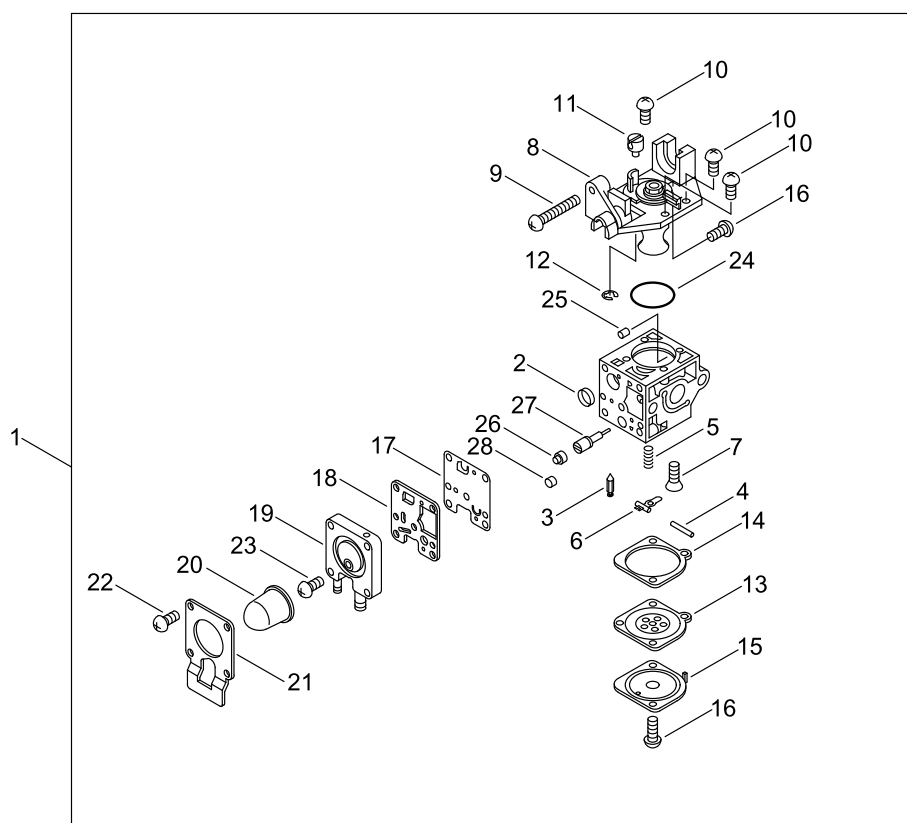
AIR CLEANER, CARBURETOR



AIR CLEANER, CARBURETOR

KEY NO	LV(+)	Part No	Description	Qty	Standard	Comment
1		A021-001742	CARBURETOR, DIAPHRAGM	1	ZAMA RB-K94	
2		V103-000270	GASKET,INTAKE	1	T1.5-11	
3		A200-000200	INSULATOR,INTAKE	1		
4		900162-05025	BOLT, H.S. 5*25	2	5*25 W,SW	
5		V103-000210	GASKET,INTAKE	1		
6		P021-049010	CASE,CLEANER	1		
7		129011-52730	PLATE, PREVENT	1		
8		900242-05065	SCREW 5*65	2	5*65	
9		P021-047720	CLEANER COVER ASY	1		
10	+	V299-000250	KNOB,FASTENER	1		
11		890332-52730	LABEL, CHOKE	1		
12		A226-001410	ELEMENT,AIR FILTER	1		

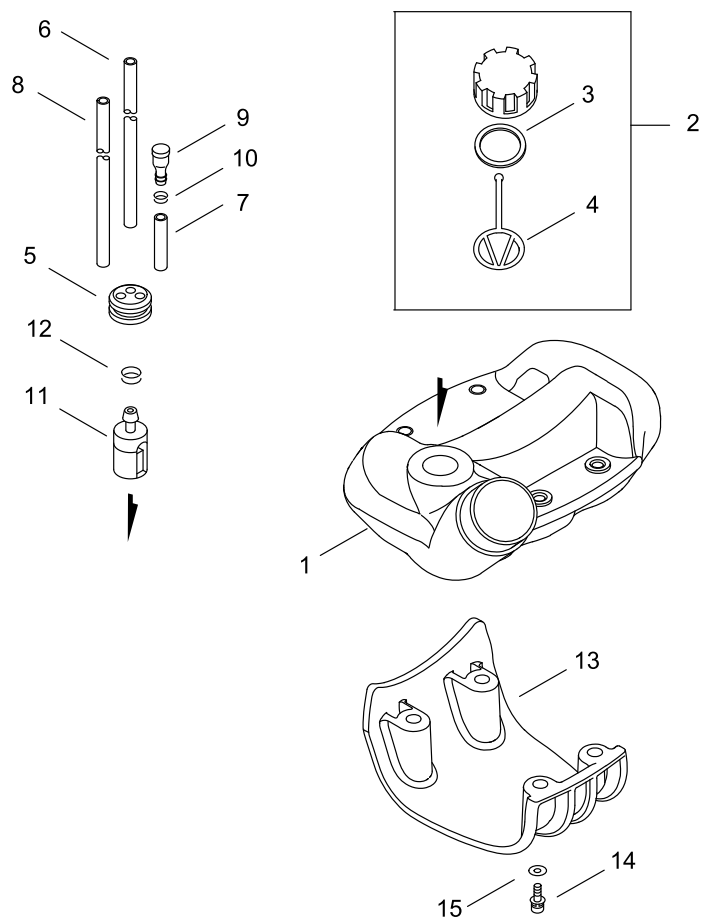
CARBURETOR



CARBURETOR

KEY NO	LV(+)	Part No	Description	Qty	Standard	Comment
1		A021-001742	CARBURETOR, DIAPHRAGM	1	ZAMA RB-K94	
2	+	P005-000010	STRAINER	1		
3	+	125337-08260	VALVE, INLET NEEDLE	1		
4	+	125338-13930	PIN, METERING ARM	1		
5	+	125322-07260	SPRING, COIL	1		
6	+	125323-08260	ARM, VALVE	1		
7	+	125339-42030	SCREW	1		
8	+	P005-002070	COVER ASY, ROTOR	1		
9	+	P005-000100	SCREW, THROTTLEADJUST	1		
10	+	125344-13931	SCREW	3		
11	+	P005-001240	POST	1		
12	+	P005-000190	E-RING	1		
13	+	P005-002230	DIAPHRAGM ,METERING	1		
14	+	P005-000200	GASKET, METERING	1		
15	+	125342-52130	COVER, DIAPHRAGM	1		
16	+	125344-52130	SCREW	3		
17	+	P005-000510	DIAPHRAGM, PUMP	1		
18	+	P005-000520	GASKET, PUMP	1		
19	+	P005-001890	BASE, ASY PRIMER	1		
20	+	P005-003110	PUMP, PRIMER	1		
21	+	P005-000250	RETAINER	1		
22	+	P005-001900	SCREW	4		
23	+	P005-000270	SCREW	1		
24	+	P005-000280	O-RING	1		
25	+	P005-001000	ROLLER, GUIDE	1		
26	+	P005-001250	RETAINER,PLUG BALL	1		
27	+	P005-001290	SCREW,MAINN MIXTURE	1		
28	+	P005-001270	PLUG, H AJUST SCREW	1		

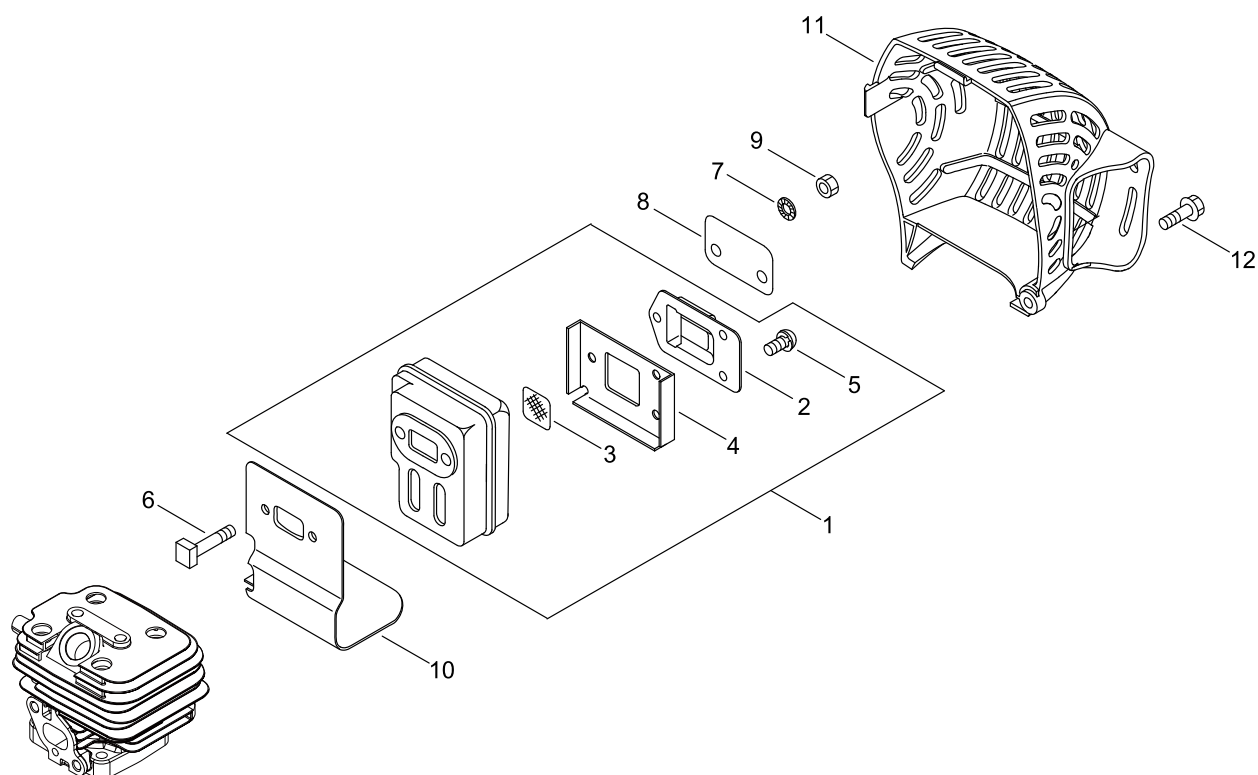
FUEL TANK



FUEL TANK

KEY NO	LV(+)	Part No	Description	Qty	Standard	Comment
1		A350-000440	TANK, FUEL	1		
2		P100-001880	CAP ASY,TANK	1		
3	+	131016-55830	GASKET, FUEL CAP	1		
4	+	131051-56030	CLIP, FUEL CAP	1	100L	
5		132115-55930	GROMMET, FUEL	1		
6		V470-000580	PIPE	1	3*5*195	
7		V471-001180	PIPE	1	3*6*35 NBR	
8		132010-40830	PIPE 3* 6* 75	1	3*6*75 YL	
9		A356-000031	VALVE,CHECK	1		
10		V490-001230	CLIP	1		
11		A369-000001	STRAINER, FUEL	1	125-528	
12		V490-001240	CLIP	1		
13		A175-000030	STAND	1		
14		900162-05025	BOLT, H.S. 5*25	4	5*25 W,SW	
15		900603-00005	WASHER 5	4	5.5*12*0.8	

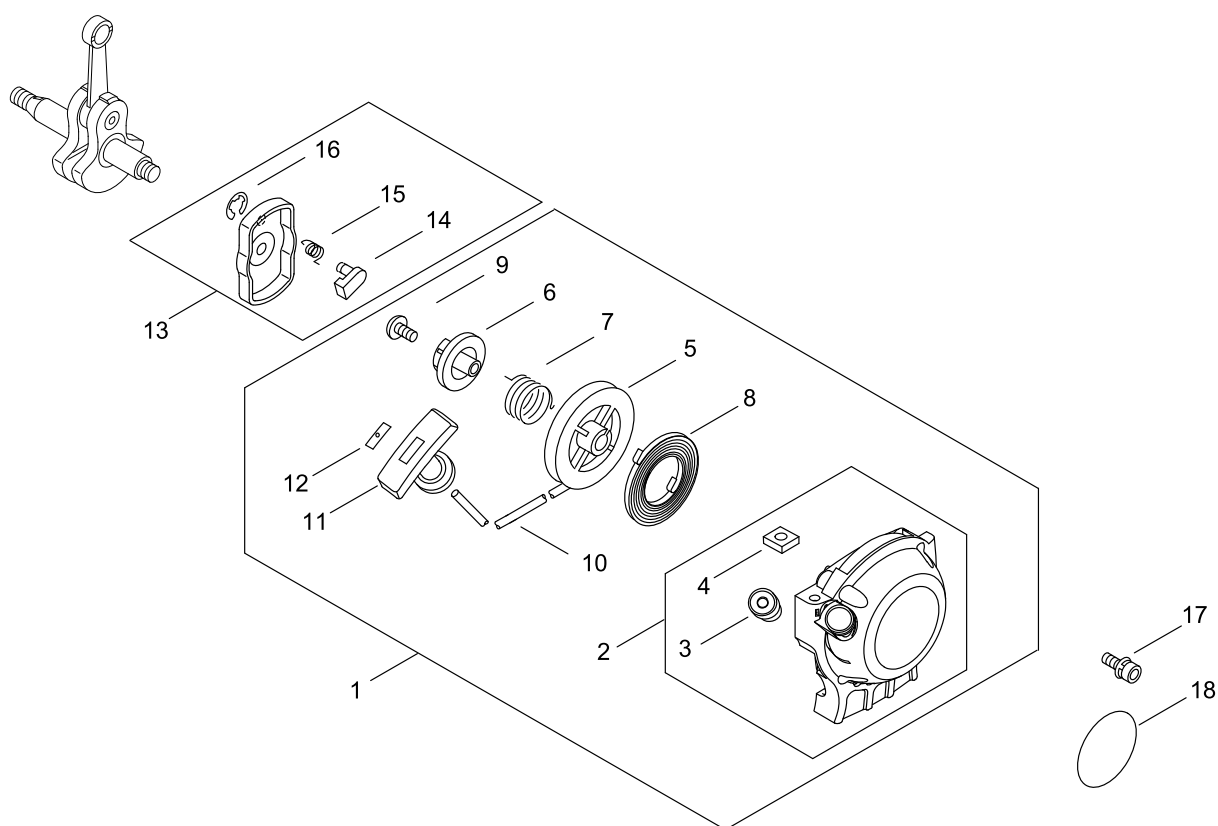
MUFFLER



MUFFLER

KEY NO	LV(+)	Part No	Description	Qty	Standard	Comment
1		P021-011580	MUFFLER ASY	1		
2	+	A313-000830	GUIDE, EXHAUST	1	ID#1330	
3	+	145862-40630	SCREEN, MUFFLER	1		
4	+	V104-000790	GASKET,EXHAUST	1		
5	+	91367-04010	SCREW	3	4*10/SW(SUS)	
6		V203-000120	BOLT,5	2	L=60	
7		92280-05000	WASHER, NORD-LOCK	2	NL5 5.4*9*1.8	
8		V150-001760	PLATE,EYE	1		
9		900500-00005	NUT 5	2	5	
10		V104-000780	GASKET,EXHAUST	1		
11		A320-000341	COVER,MUFFLER	1		
12		900106-05014	BOLT, H.S. 5*14	1	5*14	

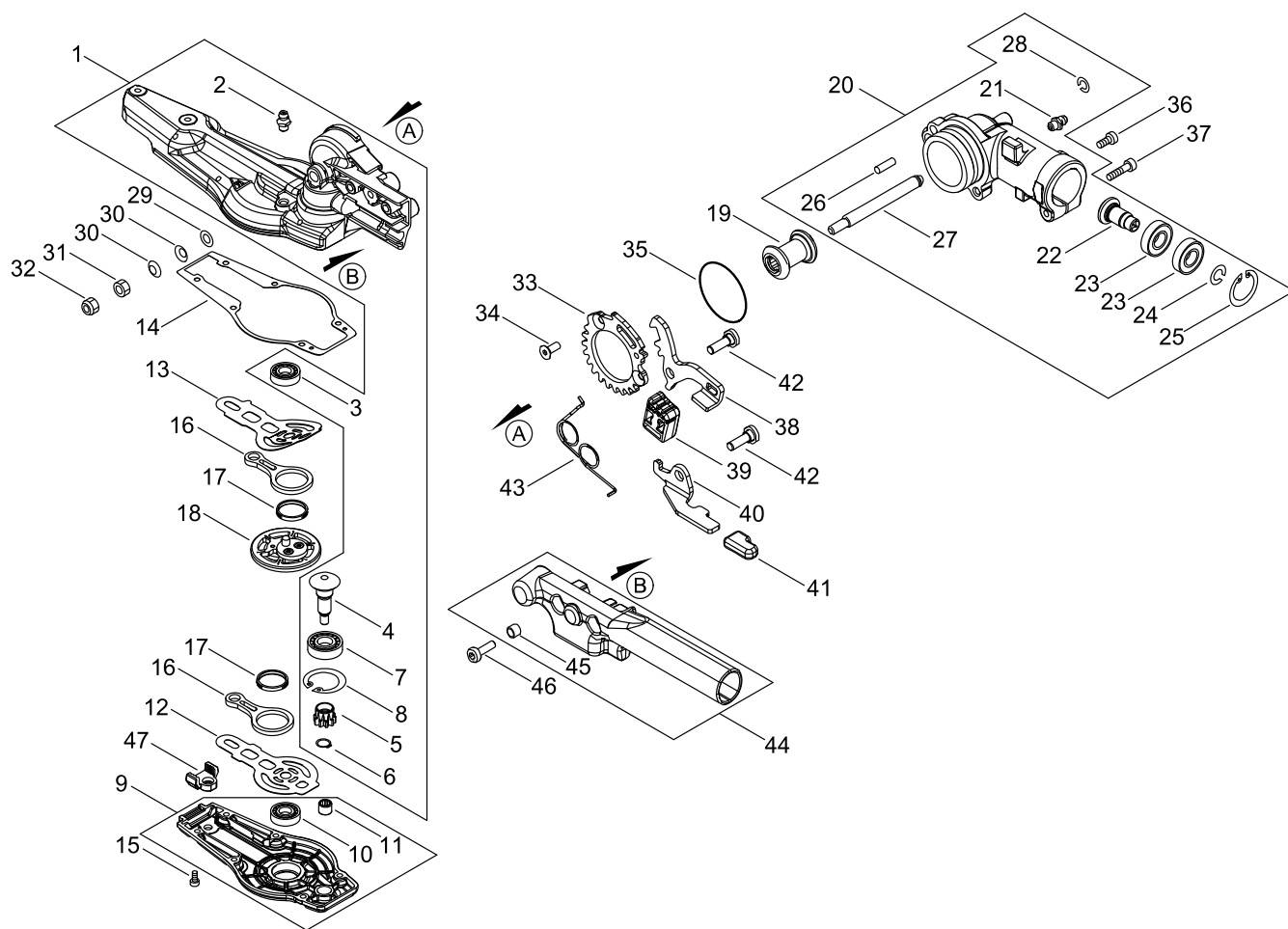
RECOIL STARTER, PULLY



RECOIL STARTER, PULLY

KEY NO	LV(+)	Part No	Description	Qty	Standard	Comment
1		A051-000941	STARTER,RECOIL	1		
2	+	P022-049100	STATER CASE	1		
3	++	177227-42030	GUIDE, ROPE	1		
4	++	P022-022010	NUT	4		
5	+	P022-027980	DRUM, STARTER	1		
6	+	P022-028000	PLATE, CAM	1		
7	+	P022-008270	SPRING,DAMPER	1		
8	+	177220-42030	SPRING, REWIND	1		
9	+	177236-61830	SCREW	1		
10	+	P022-008260	ROPE	1	3M/M	
11	+	177228-27030	GRIP, STARTER	1		
12	+	P022-037670	STOPPER, ROPE	1		
13		A052-000180	PULLEY,ASM STARTER	1		
14	+	P022-006850	PAWL, STARTER	2		
15	+	P022-006510	SPRING, RETURN	2		
16	+	P022-002100	E-RING	2	4	
17		900163-04016	BOLT HSH	4		
18		X502-000330	LABEL,ECHO	1	ECHO	

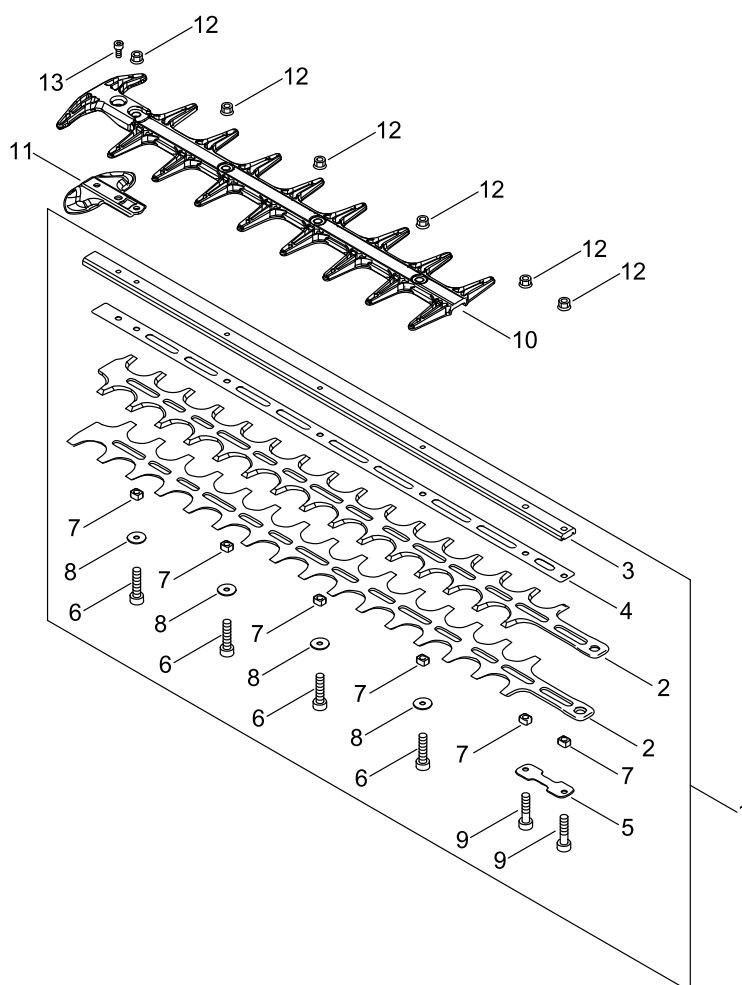
GEAR CASE



GEAR CASE

KEY NO	LV(+)	Part No	Description	Qty	Standard	Comment
1		P100-003620	CASE,GEAR ASY	1		
2	+	V187-000080	GREASE NIPPLE	1		
3	+	900800-00608	BEARING, BALL 608	1	608	
4	+	V655-000110	SHAFT,PINION	1		
5	+	V650-000730	GEAR,SPUR	1		
6	+	900701-00008	RING, RETAINING(EX)	1	CS-8	
7	+	900800-06001	BEARING, BALL 6001	1	6001	
8	+	900702-00028	CIRCLIP 28	1	CR-28	
9		P100-003630	LID ASY, GEARCASE	1		
10	+	900800-00608	BEARING, BALL 608	1	608	
11	+	V551-000000	BEARING,NEEDLE 6	1	HK0609FM	
12		V150-004310	PLATE,EYE	1	T0.5	
13		V150-004320	PLATE,EYE	1	T0.5	
14		V110-000200	GASKET,GEAR CASE	1	T0.3	
15		V804-000050	BOLT, TORX 4	6	TB-4*12 10.9	
16		C532-000530	ROD, CONNECTING	2		
17		V572-000000	BEARING, NEEDLE	2		
18		V060-000130	GEAR,SPUR	1		
19		P100-003640	GEAR,BEVEL	1		
20		P100-003790	CASE,GEAR ASY	1		
21	+	V187-000080	GREASE NIPPLE	1		
22	+	V651-001100	GEAR,BEVEL	1		
23	+	900857-06901	BEARING, BALL 6901	2	6901LLU	
24	+	900706-00012	CIRCLIP 12	1	WR-12	
25	+	900702-00024	CIRCLIP 24	1	CR-24	
26	+	V623-000120	PIN,STRAIGHT 5	1	L15.5	
27	+	C534-001100	SHAFT, GEAR	1		
28	+	92411-08000	RING	1	WR-8	
29		900603-00006	WASHER 6	1	6.5*13*1	
30		V347-000030	CONE WASHER	2		
31		900502-00006	NUT 6 (3N)	1	3N6	
32		900560-00006	NUT, LOCK	1	6	
33		C465-000040	RESETTER, LATCH	1		
34		900175-05012	BOLT, H.S.H	2	5*12	
35		900724-00035	O-RING 35	1	S-35	
36		V805-000130	BOLT, TORX 5	1	TB-5*10 10.9	
37		V805-000170	BOLT, TORX 5	1	TB-5*25 10.9	
38		C661-000210	LEVER, RELEASE	1		
39		V494-001070	CAP	1		
40		C661-000220	LEVER, RELEASE	1		
41		V494-000891	CAP	1		
42		V204-000580	PIN RATCHET	2		
43		V452-001740	SPRING,TORSION	1		
44		C403-000880	GRIP, HANDLE	1		
45	+	131045-28230	COLLAR	2		
46		V805-000150	BOLT, TORX 5	2	TB-5*16 10.9	
47		V541-000620	SEAL	1		

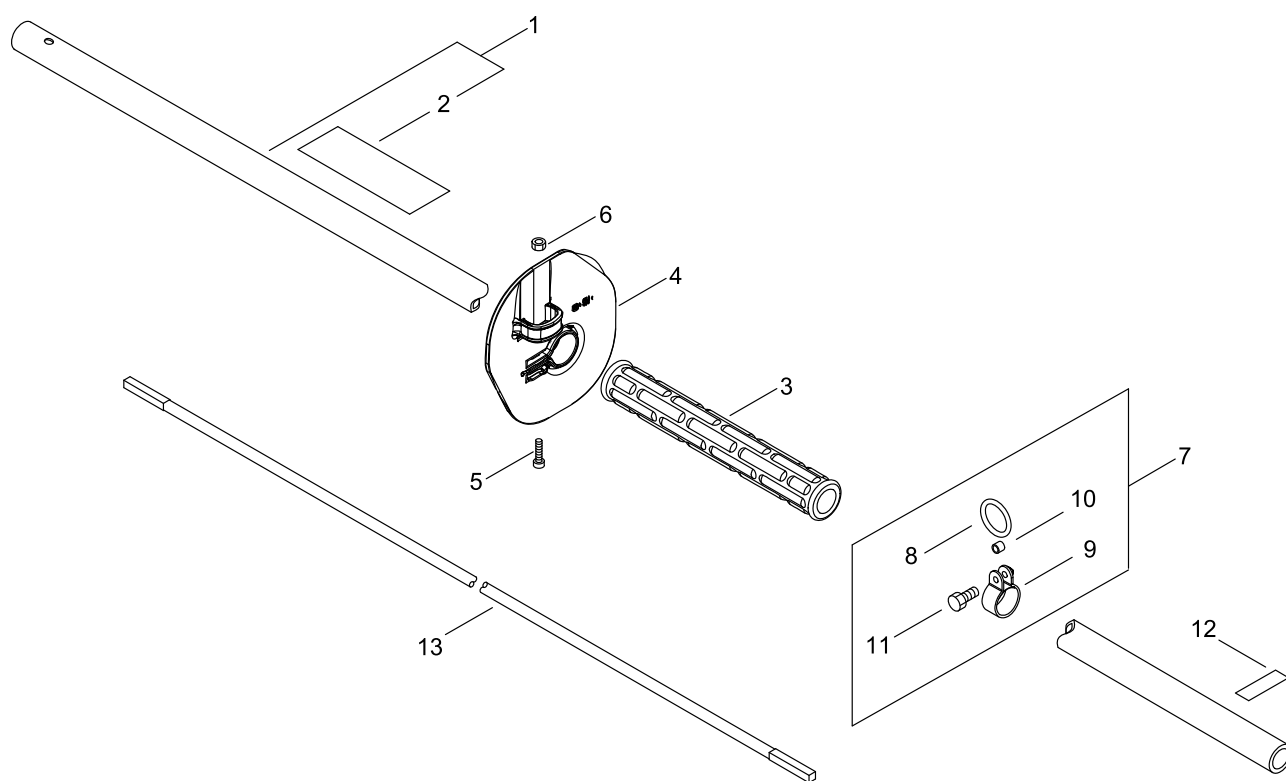
CUTTING BLADE



CUTTING BLADE

KEY NO	LV(+)	Part No	Description	Qty	Standard	Comment
1		X041-000630	CUTTER,ASM	1		
2	+	X411-001360	CUTTER	2		
3	+	X425-001030	SUPPORT,CUTTER	1		
4	+	X425-001040	SUPPORT,CUTTER	1		
5	+	V150-004330	PLATE,EYE	1		
6	+	V805-000170	BOLT, TORX 5	4	TB-5*25 10.9	
7	+	V353-000250	COLLAR	6	9*7.45*5.3	
8	+	V303-000290	WASHER	4		
9	+	V805-000180	BOLT, TORX 5	2	TB-5*30 12.9	
10		X431-000250	BLUNT	1		
11		E278-000311	PROTECTOR	1	NEW-SHC	
12		92108-05000	NUT, FLANGE	6		
13		V805-000120	BOLT, TORX 5	1	TB-5*8 10.9	

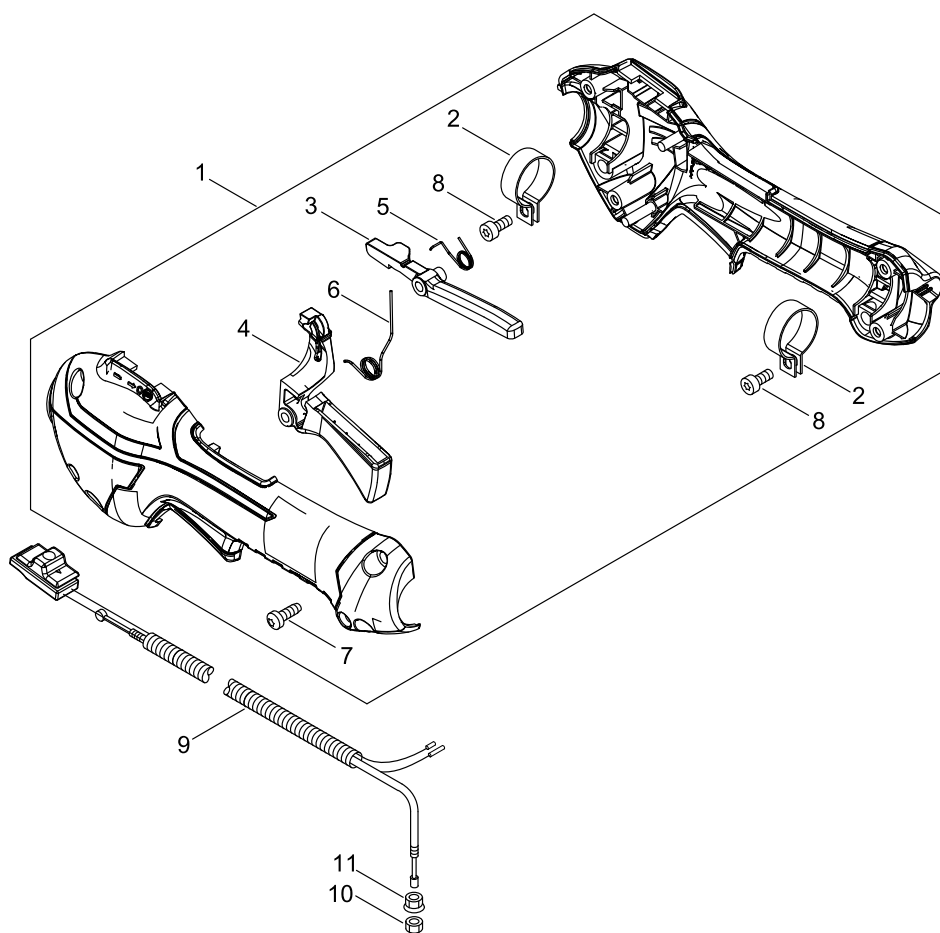
MAIN PIPE



MAIN PIPE

KEY NO	LV(+)	Part No	Description	Qty	Standard	Comment
1		P100-004090	MAIN PIPE ASY	1		
2	+	890617-12361	LABEL, CAUTION	1		
3		C403-000470	GRIP	1		
4		C440-000022	GUARD,HAND	1	BLADE HOLD-DOWN	
5		V805-000160	BOLT, TORX 5	1	TB-5*20 10.9	
6		900500-00005	NUT 5	1	5	
7		P100-004100	HOOK ASY	1		
8	+	301016-52730	RING,HARNESS	1		
9	+	301207-08930	HOOK	1		
10	+	699012-03330	SPACER	1		
11	+	900100-05018	BOLT 5*18	1	5*18	
12		890152-04930	LABEL, CAUTION	1		
13		C506-000390	SHAFT, FLEXIBLE	1	59.920 LNG	

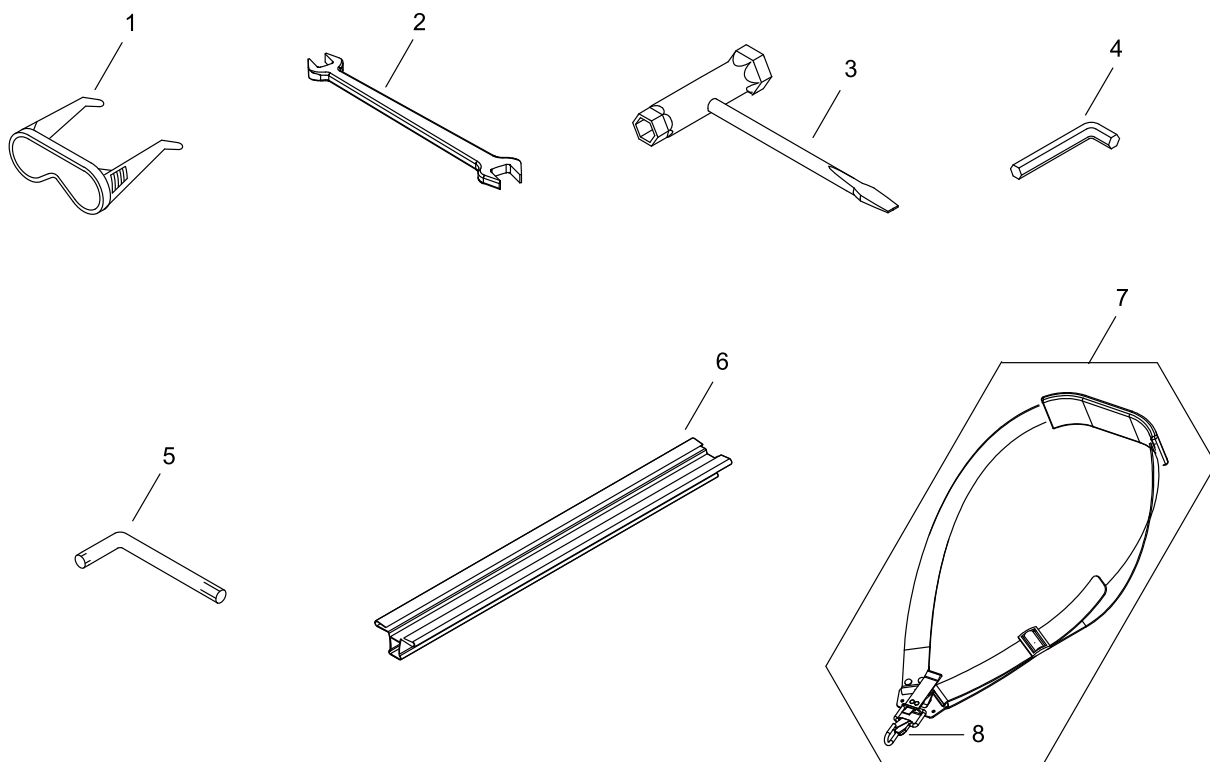
THROTTLE



THROTTLE

KEY NO	LV(+)	Part No	Description	Qty	Standard	Comment
1		P021-047691	GRIP ASY	1		
2	+	V495-003020	BAND	2		
3	+	C460-000441	LOCKOUT, THROTTLE	1	SRM-225 REDESIGN	
4	+	C453-000482	LEVER, THROTTLE	1	SRM-225 REDESIGN	
5	+	V452-001510	SPRING,TORSION	1	LOCKOUT LEVER	
6	+	V452-001520	SPRING,TORSION	1	THROTTLE LEVER	
7	+	V805-000000	BOLT, TORX 5	4	TT-5*16 DG 10.9	
8	+	V805-000150	BOLT, TORX 5	2	TB-5*16 10.9	
9		P021-047700	CABLE ASY, CONTROL	1		
10		900502-00006	NUT 6 (3N)	1	3N6	
11		900518-00006	NUT, FLANGE	1	6	

ACCESSORIES



ACCESSORIES

KEY NO	LV(+)	Part No	Description	Qty	Standard	Comment
1		X690-000080	GOGGLE	1	SI CHINA, Z87.1	
2		895112-00330	SPANNER 8*10	1		
3		895410-03930	WRENCH, W/S. DRIVER	1		
4		X605-000200	TOOL,L WRENCH	1	4MM M5	
5		X605-000170	TOOL,L WRENCH	1		
6		X495-000770	SCABBARD,BLADE	1		
7		C062-000390	STRAP ASSY	1		
8	+	C649-000200	HOOK	1		

NUMERICAL PARTS INDEX

Part No	Part description	Page	Part No	Part description	Page	Part No	Part description	Page
100012-16131	BEARING, NEEDLE	2	900162-05016	BOLT, H.S. 5*16	4	A052-000180	PULLEY,ASM STARTER	18
100013-35430	PIN, PISTON	2	900162-05025	BOLT, H.S. 5*25	2	A101-000170	RING, PISTON	2
100014-53630	SPACER, PISTON PIN	2	900162-05025	BOLT, H.S. 5*25	10	A127-000160	COVER,DUST	4
100015-03931	CIRCLIP, PISTON PIN	2	900162-05025	BOLT, H.S. 5*25	14	A130-000761	CYLINDER	2
100142-12330	KEY, WOODRUFF	6	900162-05028	BOLT, H.S. 5*28	4	A160-000691	COVER,CYLINDER	2
100212-42031	OILSEAL	4	900162-05028	BOLT, H.S. 5*28	8	A160-000780	COVER,CYLINDER	2
100242-42030	GASKET, CRANKCASE	4	900163-04016	BOLT HSH	8	A162-000080	GUARD, TOP	2
125322-07260	SPRING, COIL	12	900163-04016	BOLT HSH	18	A162-000100	GUARD, TOP	2
125323-08260	ARM, VALVE	12	900175-05012	BOLT, H.S.H	20	A172-000750	COVER,FAN	8
125337-08260	VALVE, INLET NEEDLE	12	900242-05065	SCREW 5*65	10	A175-000030	STAND	14
125338-13930	PIN, METERING ARM	12	900256-05016	SCREW, TAPPING	2	A200-000200	INSULATOR,INTAKE	10
125339-42030	SCREW	12	900330-40080	PIN F 4*8	8	A226-001410	ELEMENT,AIR FILTER	10
125342-52130	COVER, DIAPHRAGM	12	900500-00005	NUT 5	16	A313-000830	GUIDE, EXHAUST	16
125344-13931	SCREW	12	900500-00005	NUT 5	24	A320-000341	COVER,MUFFLER	16
125344-52130	SCREW	12	900502-00006	NUT 6 (3N)	20	A350-000440	TANK, FUEL	14
129011-52730	PLATE, PREVENT	10	900502-00006	NUT 6 (3N)	26	A356-000031	VALVE,CHECK	14
131016-55830	GASKET, FUEL CAP	14	900515-00008	NUT, FLANGE 8	6	A369-000001	STRAINER, FUEL	14
131045-28230	COLLAR	20	900518-00006	NUT, FLANGE	26	A409-001222	ROTOR, MAGNETO	6
131051-56030	CLIP, FUEL CAP	14	900560-00006	NUT, LOCK	20	A411-000251	COIL, IGNITION	6
132010-40830	PIPE 3* 6* 75	14	900603-00004	WASHER 4	6	A425-000000	SPARKPLUG	6
132115-55930	GROMMET, FUEL	14	900603-00005	WASHER 5	14	A426-000010	TERMINAL,SPARKPLUG	6
145862-40630	SCREEN, MUFFLER	16	900603-00006	WASHER 6	20	A427-000013	CAP,SPARK PLUG	6
156110-04920	BUSHING	6	900701-00008	RING, RETAINING(EX)	20	A556-000390	DRUM, CLUTCH	8
156635-43130	LEAD, GROUND	4	900701-00012	CIRCLIP 12	8	A575-000110	FIXTURE,MAIN PIPE	8
159116-21231	CLAMP	4	900702-00024	CIRCLIP 24	20	C062-000390	STRAP ASSY	28
162010-04561	LEAD, GROUND	6	900702-00028	CIRCLIP 28	8	C403-000470	GRIP	24
175046-56030	SHAFT, CLUTCH	8	900702-00028	CIRCLIP 28	20	C403-000880	GRIP, HANDLE	20
175048-05530	WASHER (I)	8	900702-00042	CIRCLIP 42	8	C440-000022	GUARD,HAND	24
175049-56030	WASHER	8	900706-00012	CIRCLIP 12	20	C453-000482	LEVER, THROTTLE	26
177220-42030	SPRING, REWIND	18	900724-00035	O-RING 35	20	C460-000441	LOCKOUT, THROTTLE	26
177227-42030	GUIDE, ROPE	18	900800-00608	BEARING, BALL 608	20	C465-000040	RESETTER, LATCH	20
177228-27030	GRIP, STARTER	18	900800-06001	BEARING, BALL 6001	20	C506-000390	SHAFT, FLEXIBLE	24
177236-61830	SCREW	18	900807-06001	BEARING, BALL 6001	8	C532-000530	ROD, CONNECTING	20
301016-52730	RING,HARNESS	24	900857-06901	BEARING, BALL 6901	20	C534-001100	SHAFT, GEAR	20
301207-08930	HOOK	24	91140-05012	BOLT	2	C649-000200	HOOK	28
699012-03330	SPACER	24	91367-04010	SCREW	16	C661-000210	LEVER, RELEASE	20
890152-04930	LABEL, CAUTION	24	92108-05000	NUT, FLANGE	22	C661-000220	LEVER, RELEASE	20
890332-52730	LABEL, CHOKE	10	92280-05000	WASHER, NORD-LOCK	16	E278-000311	PROTECTOR	22
890617-12361	LABEL, CAUTION	24	92411-08000	RING	20	P005-000010	STRAINER	12
895112-00330	SPANNER 8*10	28	94035-36201	BEARING BALL	4	P005-000100	SCREW, THROTTLEADJUST	12
895410-03930	WRENCH, W/S. DRIVER	28	A011-000434	CRANKSHAFT,ASY	2	P005-000190	E-RING	12
900100-05018	BOLT 5*18	24	A021-001742	CARBURETOR, DIAPHRAGM	10	P005-000200	GASKET, METERING	12
900106-05008	BOLT, H.S. 5* 8	2	A021-001742	CARBURETOR, DIAPHRAGM	12	P005-000250	RETAINER	12
900106-05014	BOLT, H.S. 5*14	2	A051-000941	STARTER,RECOIL	18	P005-000270	SCREW	12
900106-05014	BOLT, H.S. 5*14	16						

NUMERICAL PARTS INDEX

Part No	Part description	Page	Part No	Part description	Page	Part No	Part description	Page
P005-000280	O-RING	12	V110-000200	GASKET,GEAR CASE	20	V805-000180	BOLT, TORX 5	22
P005-000510	DIAPHRAGM, PUMP	12	V135-000030	GROMMET,HT CORD	6	X041-000630	CUTTER,ASM	22
P005-000520	GASKET, PUMP	12	V150-001760	PLATE,EYE	16	X411-001360	CUTTER	22
P005-001000	ROLLER, GUIDE	12	V150-004310	PLATE,EYE	20	X425-001030	SUPPORT,CUTTER	22
P005-001240	POST	12	V150-004320	PLATE,EYE	20	X425-001040	SUPPORT,CUTTER	22
P005-001250	RETAINER,PLUG BALL	12	V150-004330	PLATE,EYE	22	X431-000250	BLUNT	22
P005-001270	PLUG, H AJUST SCREW	12	V187-000080	GREASE NIPPLE	20	X495-000770	SCABBARD,BLADE	28
P005-001290	SCREW,MAINN MIXTURE	12	V202-000130	BOLT,4	6	X502-000330	LABEL,ECHO	18
P005-001890	BASE, ASY PRIMER	12	V203-000120	BOLT,5	16	X505-007710	LABEL,CAUTION	2
P005-001900	SCREW	12	V204-000580	PIN RATCHET	20	X547-000930	LABEL,ECHO	2
P005-002070	COVER ASY, ROTOR	12	V299-000250	KNOB,FASTENER	10	X605-000170	TOOL,L WRENCH	28
P005-002230	DIAPHRAGM ,METERING	12	V303-000290	WASHER	22	X605-000200	TOOL,L WRENCH	28
P005-003110	PUMP, PRIMER	12	V322-000031	WASHER,CIRCULAR 4	6	X690-000080	GOGGLE	28
P021-009771	PISTON KIT	2	V347-000030	CONE WASHER	20			
P021-010801	CRANKCASE KIT	4	V353-000250	COLLAR	22			
P021-011580	MUFFLER ASY	16	V451-001390	SPRING,TENSION	8			
P021-046900	CLUTCH SHOE SET	8	V452-001510	SPRING,TORSION	26			
P021-047691	GRIP ASY	26	V452-001520	SPRING,TORSION	26			
P021-047700	CABLE ASY, CONTROL	26	V452-001740	SPRING,TORSION	20			
P021-047710	COVER ASY, FAN	8	V470-000580	PIPE	14			
P021-047720	CLEANER COVER ASY	10	V471-001180	PIPE	14			
P021-049010	CASE,CLEANER	10	V475-003380	TUBE	6			
P022-002100	E-RING	18	V490-001230	CLIP	14			
P022-006510	SPRING, RETURN	18	V490-001240	CLIP	14			
P022-006850	PAWL, STARTER	18	V491-000180	CLIP	8			
P022-008260	ROPE	18	V494-000891	CAP	20			
P022-008270	SPRING,DAMPER	18	V494-001070	CAP	20			
P022-022010	NUT	18	V495-003020	BAND	26			
P022-027980	DRUM, STARTER	18	V505-000050	SEAL,OIL 12	4			
P022-028000	PLATE, CAM	18	V541-000620	SEAL	20			
P022-037670	STOPPER, ROPE	18	V551-000000	BEARING,NEEDLE 6	20			
P022-049100	STATER CASE	18	V572-000000	BEARING, NEEDLE	20			
P100-001880	CAP ASY,TANK	14	V623-000120	PIN,STRAIGHT 5	20			
P100-003620	CASE,GEAR ASY	20	V650-000730	GEAR,SPUR	20			
P100-003630	LID ASY, GEARCASE	20	V651-001100	GEAR,BEVEL	20			
P100-003640	GEAR,BEVEL	20	V655-000110	SHAFT,PINION	20			
P100-003790	CASE,GEAR ASY	20	V804-000050	BOLT, TORX 4	20			
P100-004090	MAIN PIPE ASY	24	V805-000000	BOLT, TORX 5	26			
P100-004100	HOOK ASY	24	V805-000120	BOLT, TORX 5	22			
V060-000130	GEAR,SPUR	20	V805-000130	BOLT, TORX 5	20			
V100-000210	GASKET,CYL	2	V805-000150	BOLT, TORX 5	20			
V103-000210	GASKET,INTAKE	10	V805-000150	BOLT, TORX 5	26			
V103-000270	GASKET,INTAKE	10	V805-000160	BOLT, TORX 5	24			
V104-000780	GASKET,EXHAUST	16	V805-000170	BOLT, TORX 5	20			
V104-000790	GASKET,EXHAUST	16	V805-000170	BOLT, TORX 5	22			