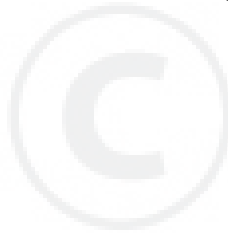




PARTS CATALOG

SHAFT HEDGE TRIMMER

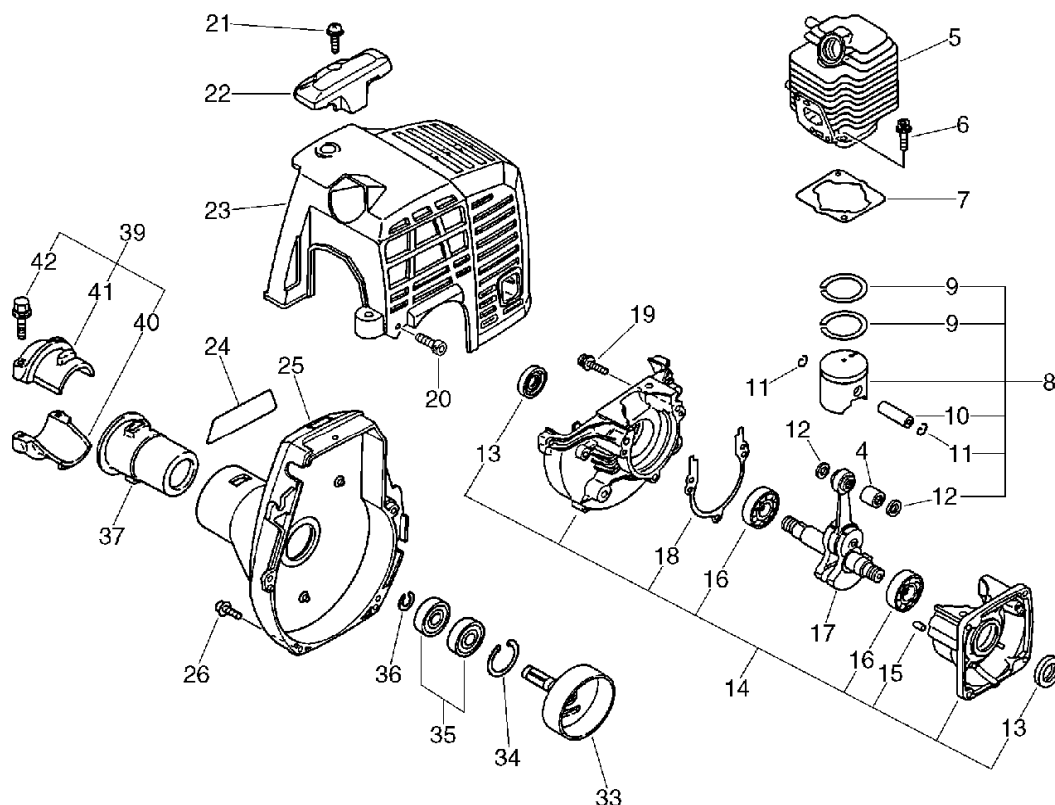
SHC-2100



SHC-2100

1. Cylinder, Crankcase, Piston, Fan Cover

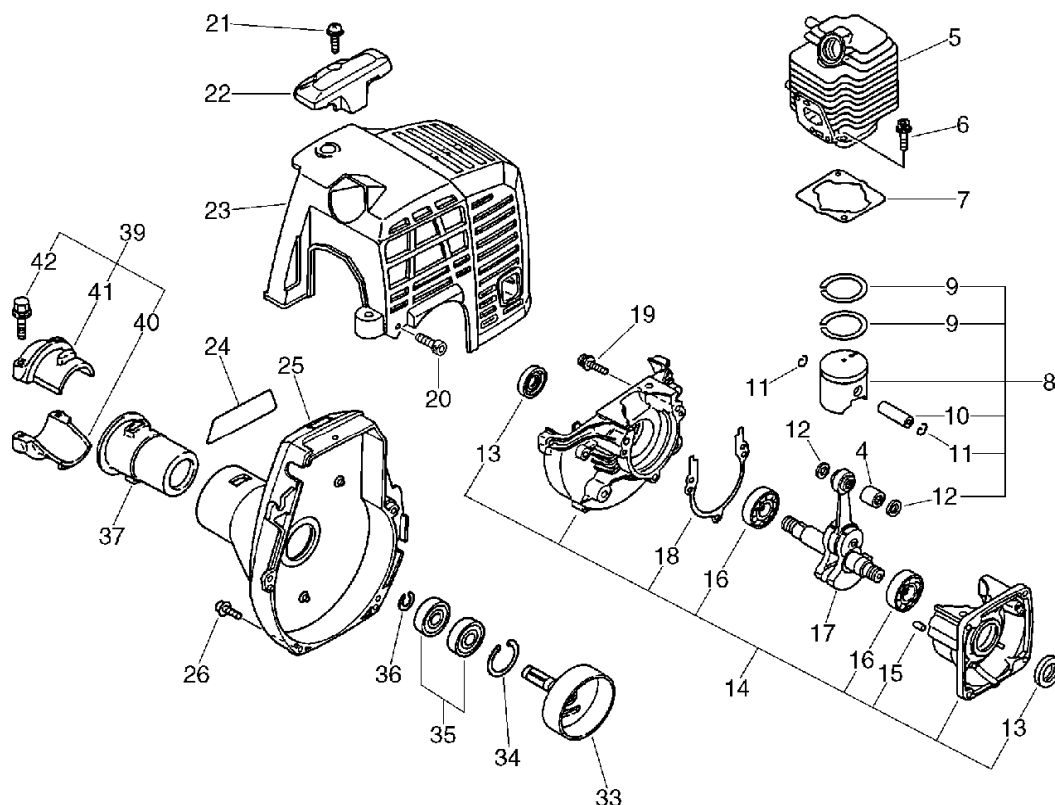
No.1



KEY	LV	PART NUMBER	Q'TY	DESCRIPTION	REMARKS	NOTE1	NOTE2
5		101011-06562	1	CYLINDER		Sr/Nr 004512 and before	
5		A130-000010	1	CYLINDER		Sus. by A130-000021	
5		A130-000011	2	CYLINDER		Sus. by A130-000021	
5		A130-000021	2	CYLINDER		Sr/Nr 004513 and after	
6		900162-05022	2	BOLT, H.S. 5*22	5*22 W,SW		
7		101010-44332	1	GASKET, CYL. BASE			
8		100000-48732	1	PISTON KIT		Sr/Nr 004512 and before	
8		P021-000390	1	PISTON KIT		Sus. by P021-001102	
8		P021-001100	1	PISTON KIT		Sus. by P021-001102	
8		P021-001101	1	PISTON KIT		Sus. by P021-001102	
8		P021-001102	1	PISTON KIT		Sr/Nr 004513 and after	
9	+	100011-05330	2	RING, PISTON		Sr/Nr 004512 and before	
9	+	A101-000000	2	RING,PISTON		Sr/Nr 004513 and after	
10	+	100013-11520	1	PIN, PISTON			
11	+	100015-04630	2	CIRCLIP, PISTON PIN			

1. Cylinder, Crankcase, Piston, Fan Cover

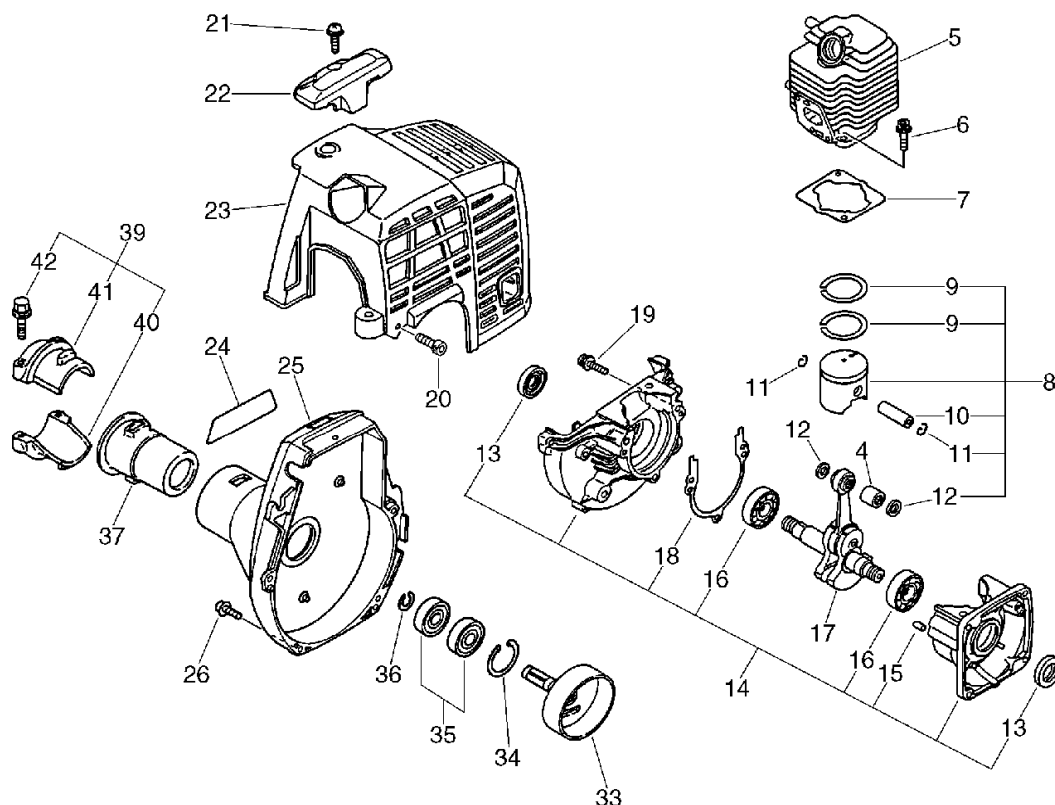
No.1



KEY	LV	PART NUMBER	Q'TY	DESCRIPTION	REMARKS	NOTE1	NOTE2
12	+	100014-11520	2	SPACER, PISTON PIN			
14		100204-52130	1	CRANKCASE KIT		Sus. by 100204-52132	
14		100204-52131	1	CRANKCASE KIT		Sus. by 100204-52132	
14		100204-52132	1	CRANKCASE KIT			
13	+	100212-42030	2	OILSEAL	ISCD12*22*4.5	Sus. by 100212-42031	
13	+	100212-42031	2	OILSEAL	ISCD 12*22*4.5		
15	+	100215-03930	2	PIN, DOWEL		Sus. by V622-000020	
15	+	V622-000020	2	PIN, STRAIGHT 4	4*7.8		
16	+	900810-36201	2	BEARING, BALL 6201	6201/C3	Sus. by 94035-36201	
16	+	94035-36201	2	BEARING BALL	6201X3JR2C3		
18	+	100242-42030	1	GASKET, CRANKCASE			
19	+	900162-05028	3	BOLT, H.S. 5*28	5*28 W, SW		
17		100100-44732	1	CRANKSHAFT ASSY		Sr/Nr 004512 and before	
17		A011-000000	1	CRANKSHAFT, ASM		Sus. by A011-000002	
17		A011-000001	1	CRANKSHAFT, ASM		Sus. by A011-000002	
17		A011-000002	1	CRANKSHAFT, ASM		Sr/Nr 004513 and after	

1. Cylinder, Crankcase, Piston, Fan Cover

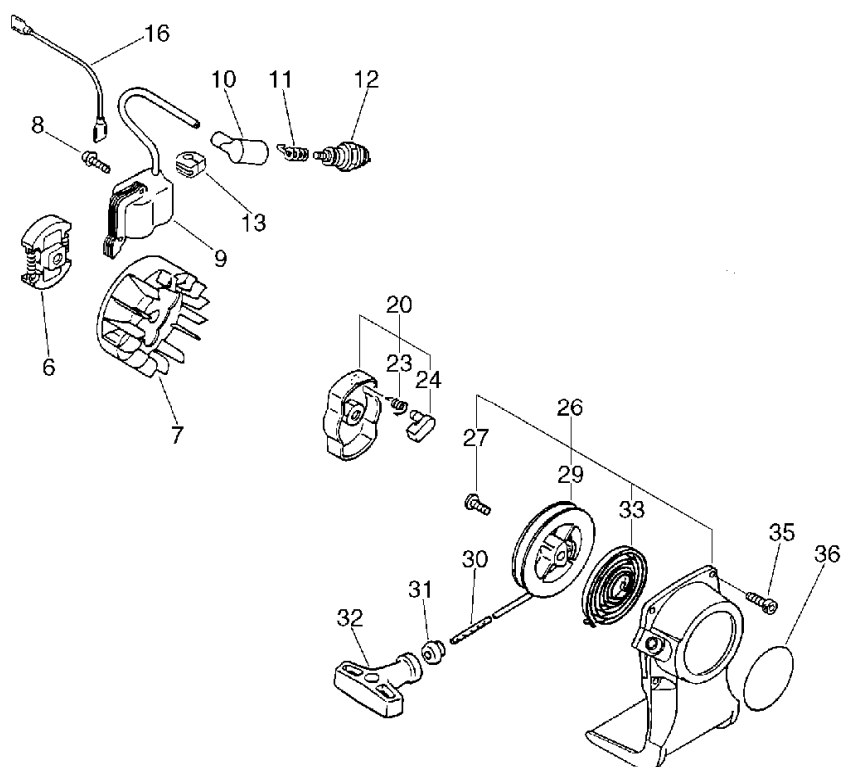
No.1



KEY	LV	PART NUMBER	Q'TY	DESCRIPTION	REMARKS	NOTE1	NOTE2
4	+	100012-51230	1	BEARING, NEEDLE	8*12*10	Sus. by V553-000010	
4	+	V553-000030	1	BEARING, NEEDLE 8		Sus. by V553-000010	
4	+	V553-000010	1	BEARING, NEEDLE 8	HK0810		
20		900163-04016	2	BOLT HSH			
21		900238-05016	1	SCREW 5*16	5*16		
22		159912-54130	1	GUARD, TOP			
23		101514-48930	1	COVER, CYLINDER			
24		890115-21560	1	LABEL, MODEL			
25		101503-52131	1	COVER ASSY, FAN			
26		900163-04016	4	BOLT HSH			
33		175005-48931	1	DRUM, CLUTCH			
34		900702-00028	1	CIRCLIP 28	CR-28		
35		900807-96001	2	BEARING, BALL 6001	6001		
36		900701-00012	1	CIRCLIP 12	CS-12		
37		610910-52730	1	CUSHION			
39		610903-52130	1	HOLDER KIT			
40	+	610923-52130	1	HOLDER			
41	+	610922-51030	1	FIXTURE, MAIN PIPE			
42	+	900142-05025	2	BOLT 5*25 (W/W, SW)	5*25		

2. Starter, Magneto, Clutch

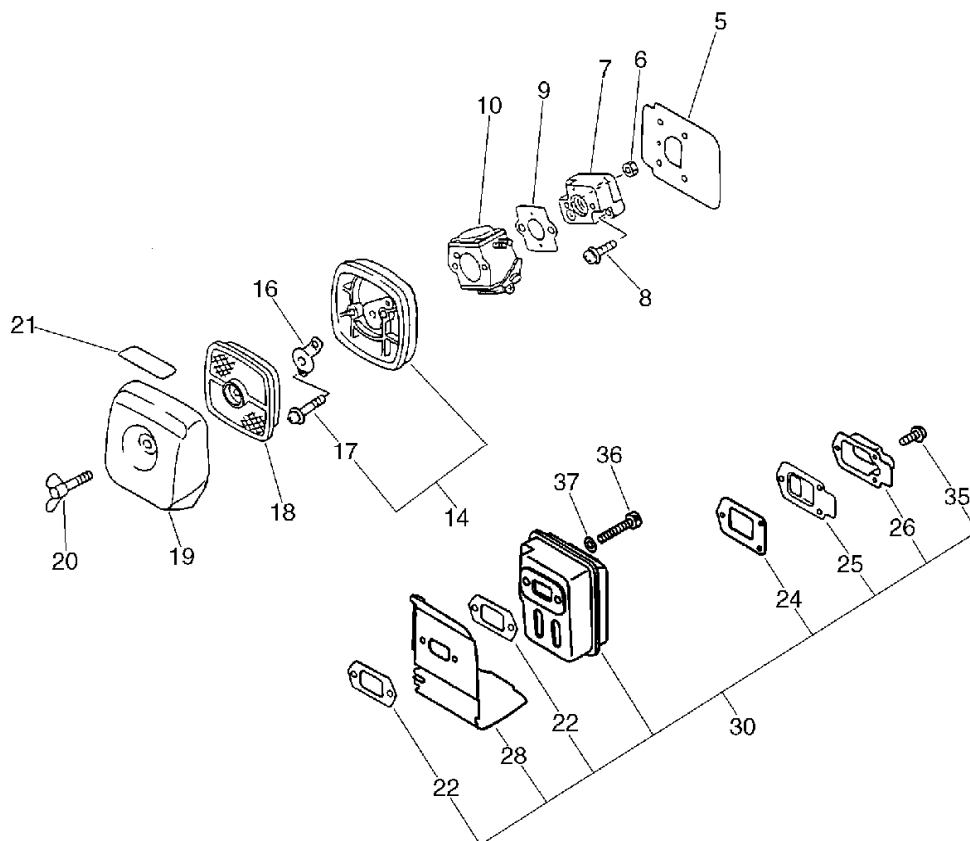
No.2



KEY	LV	PART NUMBER	Q'TY	DESCRIPTION	REMARKS	NOTE1	NOTE2
6		175000-56830	1	CLUTCH ASSY			
7		156801-12360	1	ROTOR, MAGNETO		Sus. by 156801-44731	
7		156801-44731	1	FLYWHEEL			
8		900162-04022	2	BOLT, H.S. 4*22	4*22 W,SW		
9		156626-52630	1	COIL, IGNITION			
10		159012-03433	1	CAP, SPARK PLUG			
11		159011-03432	1	COIL, SPARK PLUG			
12		159017-10230	1	PLUG, SPARK (RCJ-7Y)	RCJ-7Y		
13		156112-40630	1	GROMMET			
16		162010-52830	1	LEAD, GROUND			
20		177202-44330	1	PAWL ASSY, STARTER		Sus. by 177202-44331	
20		177202-44331	1	PAWL ASM., STARTER			
23	+	177234-42030	1	SPRING, RETURN			
24	+	177218-44330	1	PAWL, STARTER	BLACK		
26		177200-54130	1	STARTER ASSY			
27	+	177236-44330	1	SCREW			
29	+	177215-44430	1	DRUM, STARTER			
30	+	177226-10120	1	ROPE, STARTER	3.0*1000		
31	+	177227-42030	1	GUIDE, ROPE			
32	+	177228-06530	1	GRIP, STARTER			
33	+	177220-42030	1	SPRING, REWIND			
35		900163-04016	2	BOLT HSH			
36		890118-49130	1	LABEL, ECHO			

3. Air Cleaner, Muffler

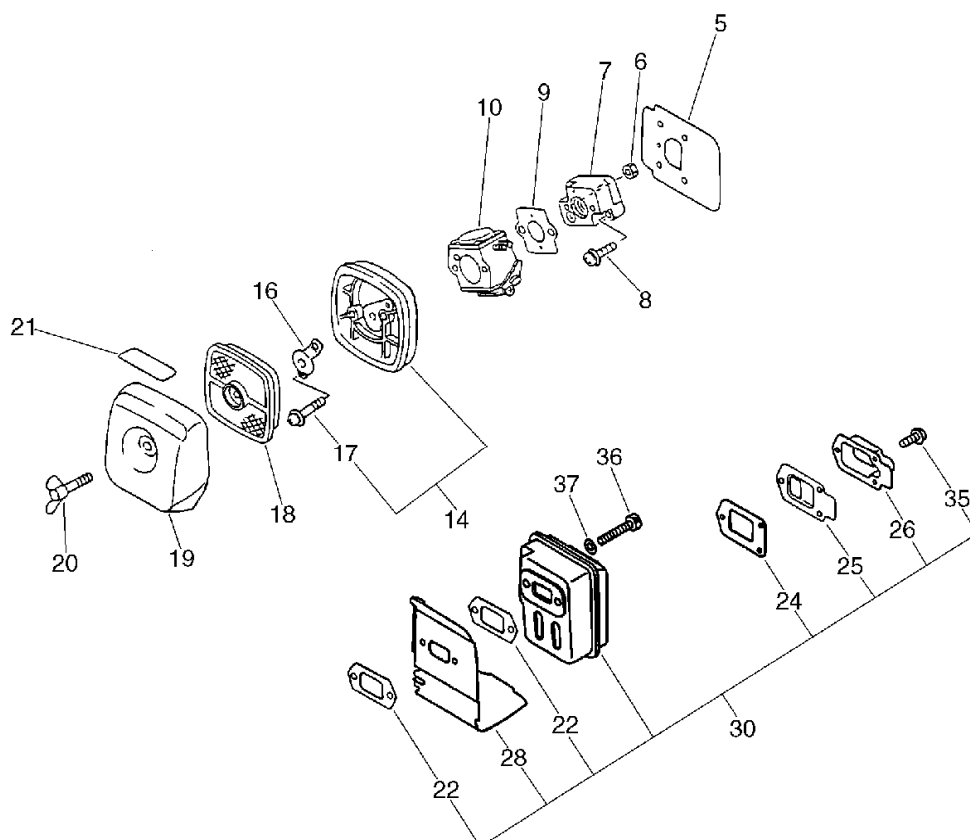
No.3



KEY	LV	PART NUMBER	Q'TY	DESCRIPTION	REMARKS	NOTE1	NOTE2
5		130010-42032	1	GASKET,INTAKE			
6		900500-00005	2	NUT 5	5		
7		130017-42031	1	INSULATOR, INTAKE			
8		900238-05020	2	SCREW 5*20	5*20		
9		V103-000111	1	GASKET,INTAKE		Sus. by 130016-42031	
9		130016-42031	1	GASKET, INTAKE			
10		125200-13312	1	CARBURETOR	C1U-K52	Sus. by 125200-13314	
10		125200-13313	1	CARBURETOR	C1U-K52	Sus. by 125200-13314	
10		125200-13314	1	CARBURETOR	C1U-K52		
14		130307-06561	1	CASE, AIR CLEANER		Sus. by P021-002921	
14		P021-002921	1	CASE, AIR CLEANER			
17	+	900242-05065	2	SCREW 5*65	5*65		
16		129011-52730	1	PLATE, PREVENT			
18		130310-54130	1	FILTER, AIR			
19		130313-06563	1	LID, AIR CLEANER			
20		210417-52730	1	BOLT, WING	5*20		
21		890121-05360	1	LABEL, METERING			
30		145802-54130	1	MUFFLER ASSY		Sr/Nr 004512 and before	
30		P021-001380	1	MUFFLER ASY		Sus. by P021-001384	

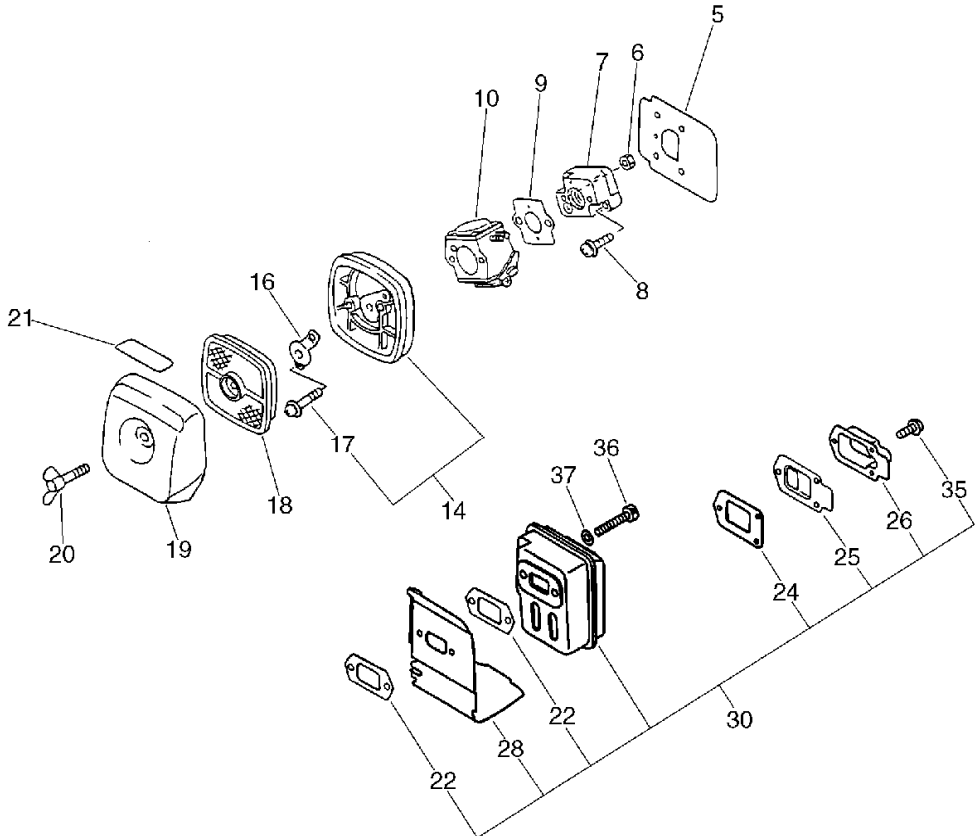
3. Air Cleaner, Muffler

No.3



KEY	LV	PART NUMBER	Q'TY	DESCRIPTION	REMARKS	NOTE1	NOTE2
30		P021-001381	1	MUFFLER ASY		Sus. by P021-001384	
30		P021-001382	1	MUFFLER ASY		Sus. by P021-001384	
30		P021-001383	1	MUFFLER ASY		Sus. by P021-001384	
30		P021-001384	1	MUFFLER ASY		Sr/Nr 004513 and after	
22	+	145510-42031	2	GASKET, MUFFLER		Sus. by V104-000160	
22	+	V104-000160	2	GASKET, EXHAUST			
24	+	145866-42031	1	GASKET, MUFFLER LID		Sr/Nr 004512 and before	
24	+	V104-000001	1	GASKET, EXHAUST		Sus. by V104-000003	
24	+	V104-000002	1	GASKET, EXHAUST		Sus. by V104-000003	
24	+	V104-000003	1	GASKET, EXHAUST		Sr/Nr 004513 and after	
25	+	145876-42030	1	LID, MUFFLER (B)			
26	+	145863-54130	1	FIXTURE, SCREEN		Sr/Nr 005513 and before	
26	+	A313-000000	1	GUIDE, EXH		Sr/Nr 005514 and after	
28	+	145871-44331	1	COVER, MUFFLER		Sus. by A320-000251	

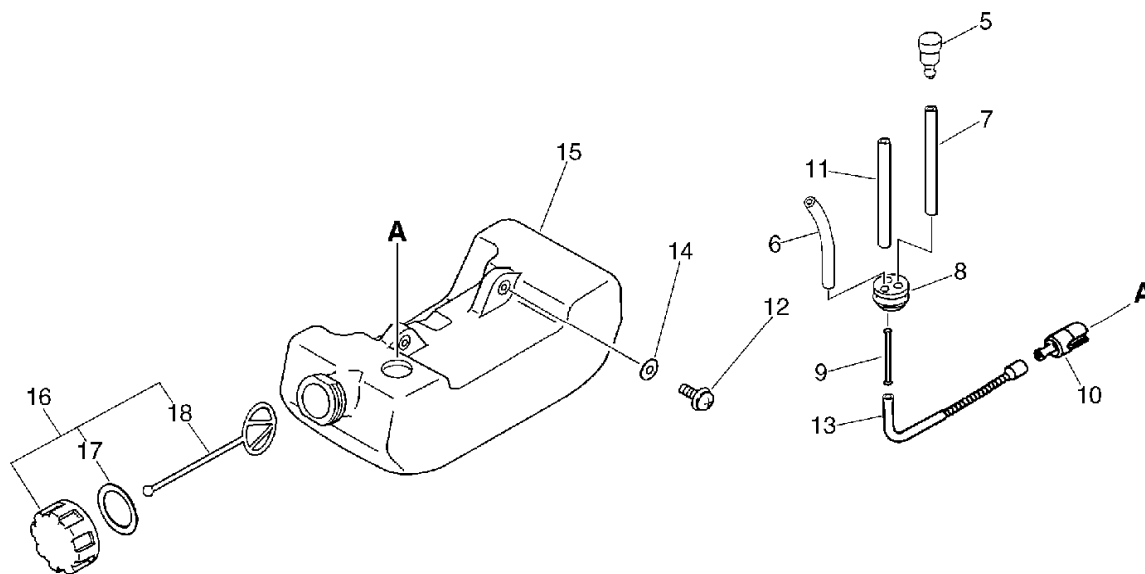
3. Air Cleaner, Muffler
No.3



KEY	LV	PART NUMBER	Q'TY	DESCRIPTION	REMARKS	NOTE1	NOTE2
28	+	145631-42030	1	COVER, MUFFLER		Sus. by A320-000251	
28	+	A320-000250	1	COVER, MUFFLER		Sus. by A320-000251	
28	+	A320-000251	1	COVER, MUFFLER			
35	+	900238-04010	3	SCREW 4*10	4*10		
36		900105-05055	2	BOLT, H.S. 5*55	5*55		
37		900600-00005	2	WASHER 5	5		

4. Fuel Tank

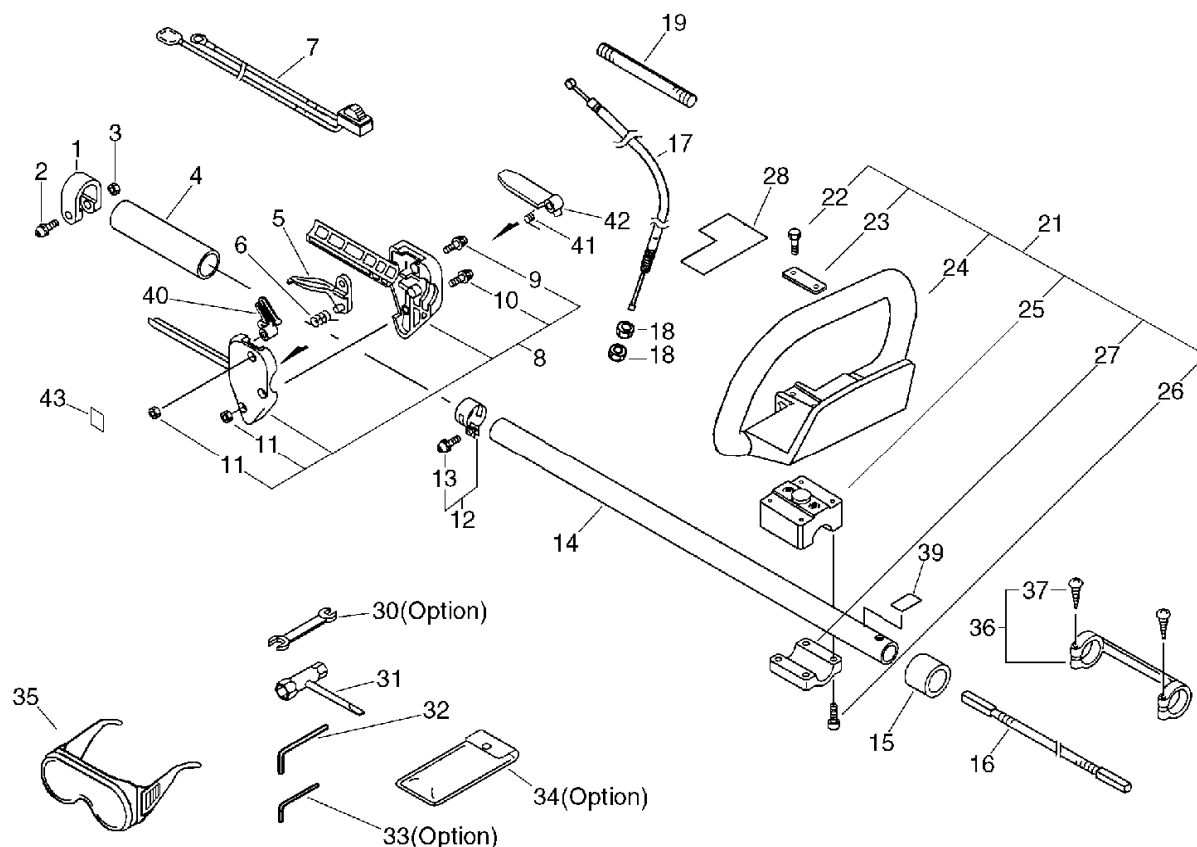
No.4



KEY	LV	PART NUMBER	Q'TY	DESCRIPTION	REMARKS	NOTE1	NOTE2
5		131300-56430	1	VALVE, CHECK		Sus. by A356-000030	
5		A356-000030	1	VALVE,CHECK			
6		132010-56330	1	PIPE 3*6*90	3*6*90 YL		
7		131312-39130	1	PIPE	3*5*70(+3)NBR	Sus. by V471-001200	
7		V471-001200	1	PIPE	3*5*70 NBR		
8		132115-46730	1	GROMMET, FUEL		Sus. by V137-000030	
8		V137-000030	1	GROMMET,FUEL			
9		132011-03360	1	CONNECTOR, FUEL PIPE			
10		131205-07320	1	STRAINER, FUEL			
11		131312-44330	1	PIPE, 3*5*70L	3*5*70L NBR	Sus. by V471-001200	
11		131312-39130	1	PIPE	3*5*70(+3)NBR	Sus. by V471-001200	
11		V471-001200	1	PIPE	3*5*70 NBR		
12		900238-05016	2	SCREW 5*16	5*16		
13		132012-12360	1	PIPE, FUEL			
14		900603-00005	2	WASHER 5	5.5*12*0.8		
15		131005-46830	1	TANK, FUEL		Sus. by 131005-46831	
15		131005-46831	1	TANK, FUEL			
16		131004-08960	1	CAP ASSY, FUEL			
17	+	131016-55830	1	GASKET, FUEL CAP			
18	+	131051-52430	1	CONNECTOR, CAP	80L		

5. Handle, Tools

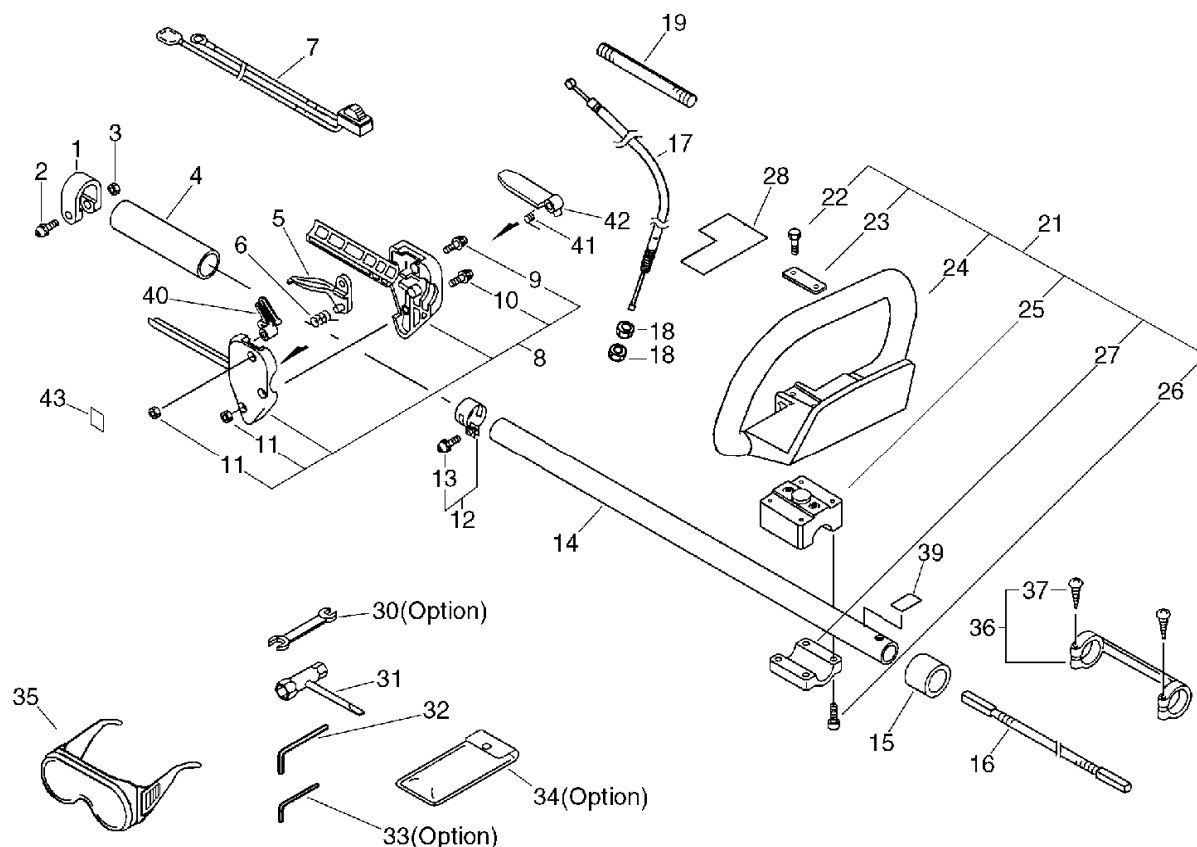
No.5



KEY	LV	PART NUMBER	Q'TY	DESCRIPTION	REMARKS	NOTE1	NOTE2
1		610272-52730	1	BAND, GRIP			
2		900242-05028	1	SCREW 5*28	5*28		
3		900500-00005	1	NUT 5	5		
4		351213-52730	1	GRIP, FRONT HANDLE			
5		178010-52130	1	CONTROL, THROTTLE			
6		178043-42230	1	SPRING, THR. RETURN			
7		163400-49230	1	SWITCH, IGNITION		Sus. by 163401-55631	
7		163401-55631	1	SWITCH, IGNITION			
8		178003-52731	1	BRACKET SET, THROTTLE			
9	+	900242-05035	1	SCREW 5*35	5*35		
10	+	900242-05025	1	SCREW 5*25	5*25		
11	+	900500-00005	2	NUT 5	5		
12		301201-52730	1	BAND HOOK(W/SCREW)			
13	+	900242-05014	1	SCREW 5*14	5*14		
14		610206-21560	1	PIPE, MAIN			
15		610225-55330	1	COLLAR		Sus. by 610225-55331	
15		610225-55331	1	COLLAR			
16		610013-21560	1	SHAFT, FLEXIBLE			
17		178001-56730	1	CABLE, THROTTLE			
18		900502-00006	2	NUT 6 (3N)	3N6		
19		178127-21360	1	TUBE	7*10*120		
21		351201-21560	1	HANDLE, FRONT ASY			
22	+	900162-05030	2	BOLT, H.S. 5*30	5*30 W, SW		
23	+	351611-05360	1	WASHER			

5. Handle, Tools

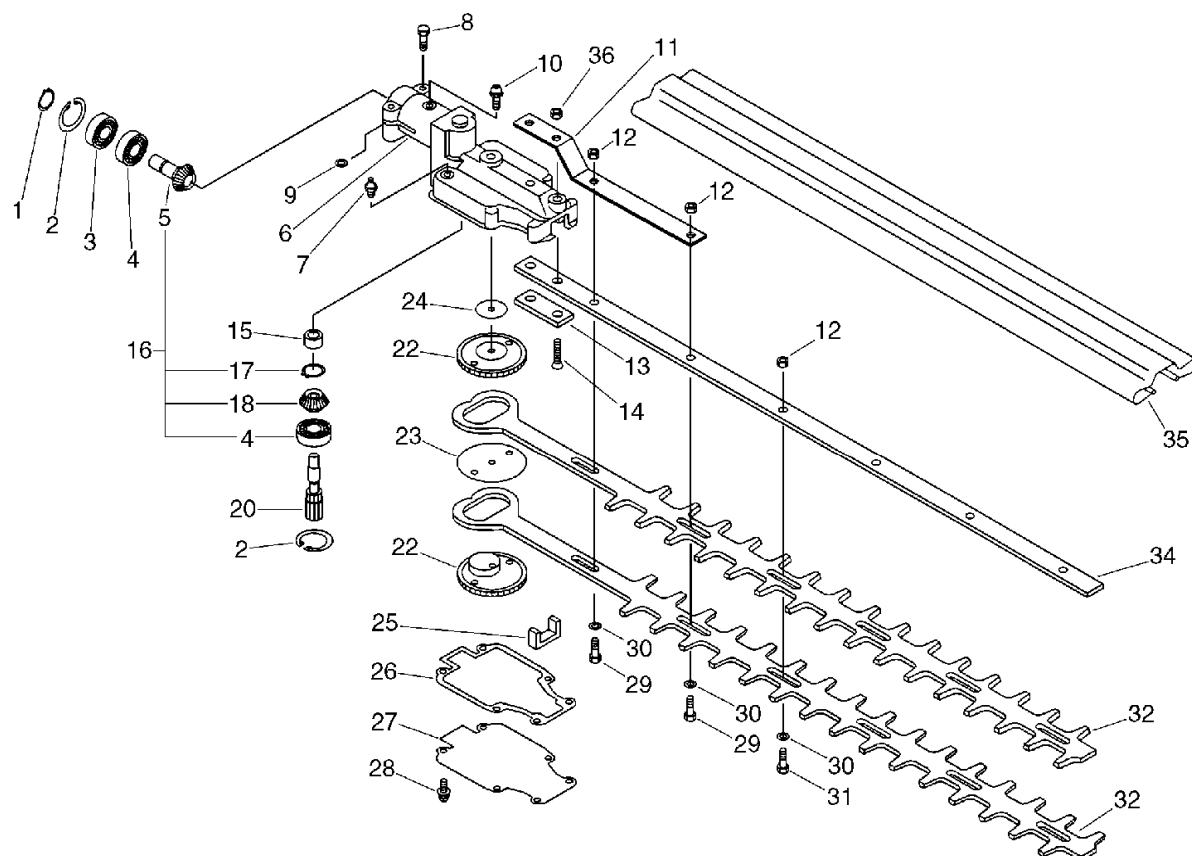
No.5



KEY	LV	PART NUMBER	Q'TY	DESCRIPTION	REMARKS	NOTE1	NOTE2
24	+	351610-05360	1	HANDLE, FRONT			
25	+	351415-21460	1	BRACKET, HANDLE			
26	+	889950-21560	4	SCREW 5			
27	+	351643-21460	1	BRACKET, HANDLE			
28		890617-21660	1	LABEL, CAUTION		Sus. by 890617-21661	
28		890617-21661	1	LABEL, CAUTION			
30		895112-00330	1	SPANNER 8*10		OPTION	
31		895410-00430	1	WRENCH, W/S. DRIVER			
32		895610-00130	1	L-WRENCH (4MM)			
33		895612-03430	1	L-WRENCH (3MM)		OPTION	
34		898510-39130	1	BAG, TOOL		OPTION	
35		899580-68730	1	SAFETY GLASSES		Sus. by P021-002861	
35		P021-002861	1	GOGGLES			
36		610281-52730	1	COLLER			
37	+	900253-04020	2	SCREW TAPPING 4*20	4*20		
39		890152-04930	1	LABEL, CAUTION			
40		178012-52730	1	LOCKOUT, THROTTLE			
41		178013-52630	1	SPRING, THR. LOCK			
42		178090-52630	1	LOCKOUT, T. CONTROL		Sus. by 178090-52632	
42		178090-52631	1	LOCKOUT, T. CONTROL		Sus. by 178090-52632	
42		178090-52632	1	LOCKOUT, T. CONTROL			
43		890157-39130	1	LABEL, SWITCH			

6. Gear Case, Cutter

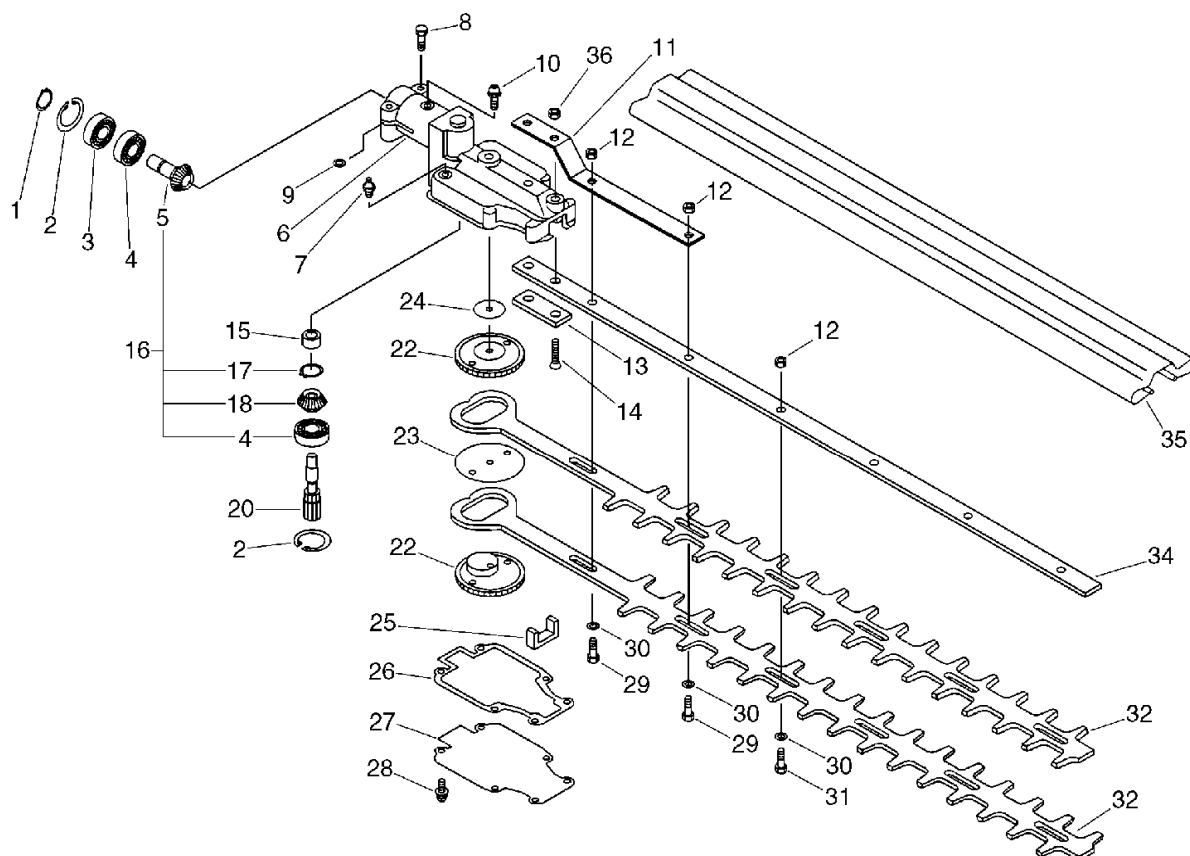
No.6



KEY	LV	PART NUMBER	Q'TY	DESCRIPTION	REMARKS	NOTE1	NOTE2
1		900706-00012	1	CIRCLIP 12	WR-12		
2		610335-21460	2	RING, RETAINING			
3		900858-06901	1	BEARING, BALL BB6901Z	BB6901Z		
4		900855-06901	1	BEARING, BALL 6901	6901		
5		610361-21460	1	GEAR		Sr/Nr 004720 and before	
6		610410-21460	1	CASE, GEAR (U)			
7		880110-54230	1	NIPPLE, GREASE			
8		900162-05028	2	BOLT, H.S. 5*28	5*28 W,SW		
9		610239-04130	2	WASHER, SHIM			
10		900162-05012	1	BOLT, H.S. 5*12	5*12 W,SW		
11		699120-21461	1	PLATE, CUTTER			
12		433022-06460	6	NUT			
13		610914-21460	1	PLATE, EYE			
14		900212-06035	2	SCREW 6*35	+SF6*35		
15		604221-21460	1	BUSHING			
16		610308-21460	1	GEAR		Sus. by P021-004190	
16		V060-000000	1	GEAR, SPUR		Sus. by P021-004190	
16		P021-004190	1	GEAR, SPUR			
4	+	900855-06901	1	BEARING, BALL 6901	6901		
5	+	V651-000050	1	GEAR, BEVEL	MG#0406001898	Sr/Nr 004721 and after	
17	+	610335-21560	1	RING, RETAINING			

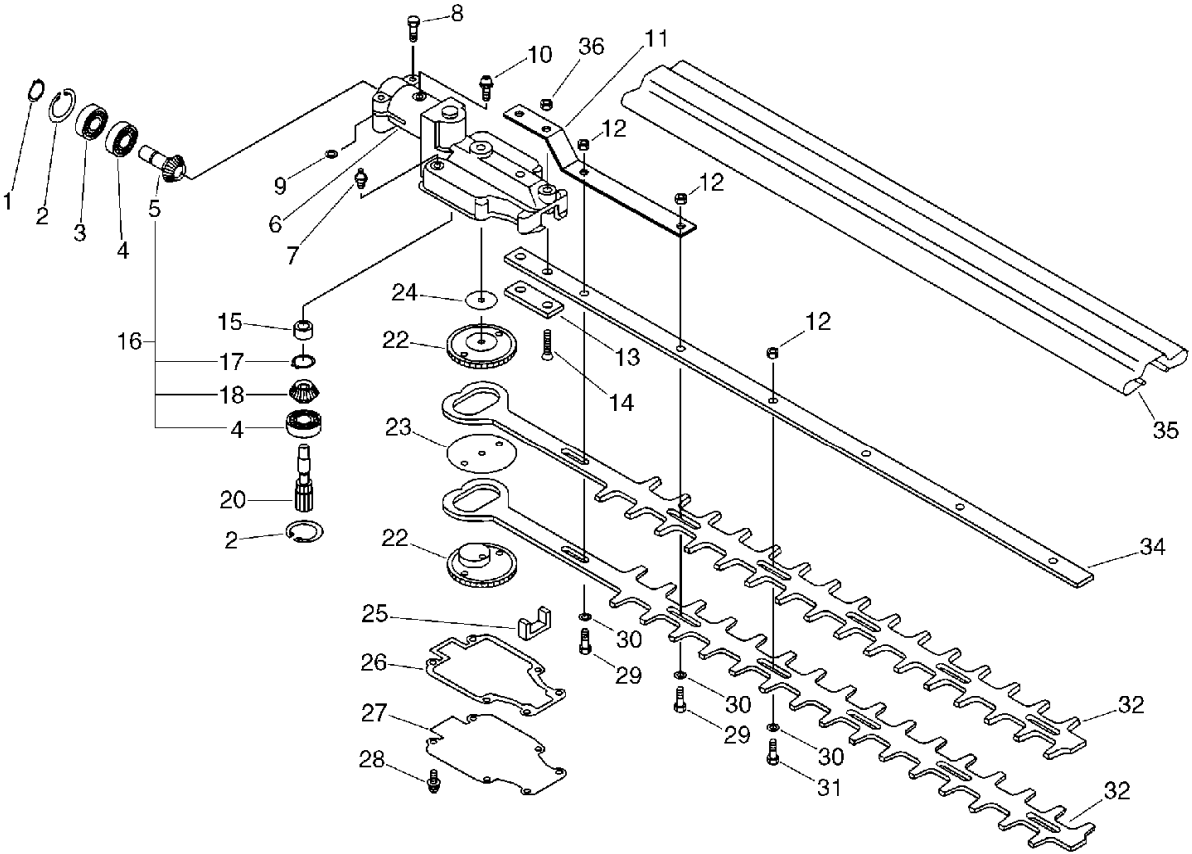
6. Gear Case, Cutter

No.6



KEY	LV	PART NUMBER	Q'TY	DESCRIPTION	REMARKS	NOTE1	NOTE2
18	+	610361-21560	1	GEAR		Sr/Nr 004720 and before	
18	+	V651-000060	1	GEAR,BEVEL	MG#0600.1897	Sr/Nr 004721 and after	
20	+	610312-21460	1	GEAR		Sr/Nr 004720 and before	
20		610312-21460	1	GEAR			
22		610312-06560	2	GEAR, SPUR		Sus. by V650-000080	
22		V650-000080	2	GEAR, SPUR			
23		689025-05360	1	WASHER 6.7*54*0.38			
24		689025-06560	1	WASHER 6.5*30*0.2			
25		610426-21460	1	FELT		Sus. by 610426-06560	
25		610426-06560	1	SEAL			
26		610414-21460	1	GASKET, GEAR CASE			
27		610411-21460	1	LID, GEAR CASE			
28		900162-04012	6	BOLT, H.S. 4*12	4*12 W,SW		
29		699115-21460	2	BOLT			
30		699118-04560	6	WASHER			
31		699113-06560	4	BOLT 6			
32		697010-21560	2	CUTTER		Sus. by X411-000410	
32		X411-000040	2	CUTTER	SHC-2100	Sus. by X411-000410	
32		X411-000410	2	CUTTER	L=716		

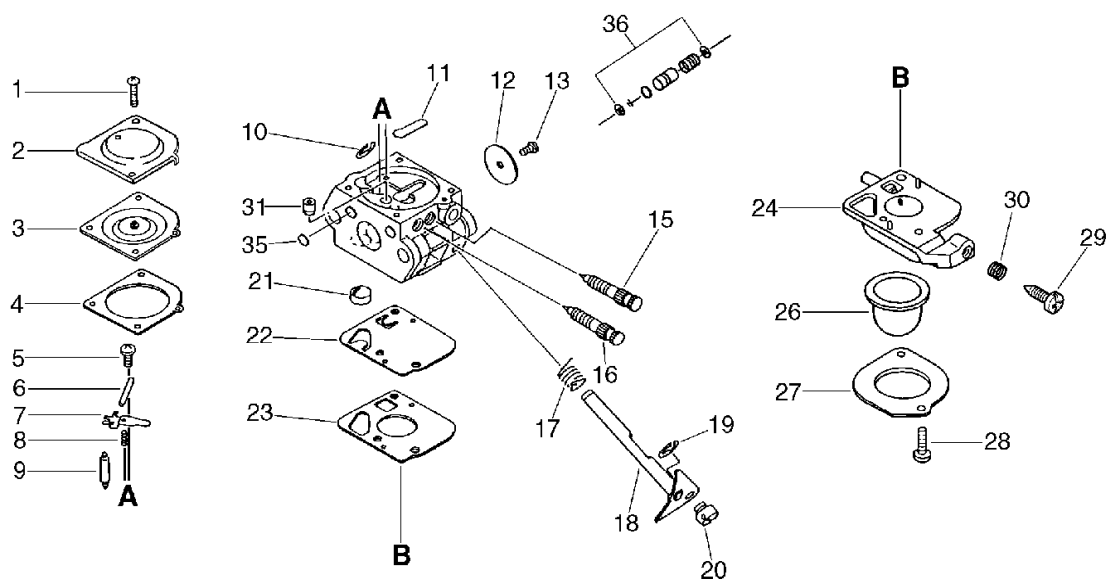
6. Gear Case, Cutter
No.6



KEY	LV	PART NUMBER	Q'TY	DESCRIPTION	REMARKS	NOTE1	NOTE2
34		699110-21560	1	BAR, FRAME			
34		X425-000030	1	SUPPORT,CUTTER	SHC-2100	Sus. by X425-000260	
34		X425-000260	1	SUPPORT,CUTTER	L=671.5 T=3.2		
35		898523-21560	1	COVER, CUTTER			
36		900500-00006	2	NUT 6	6		

7. Carburetor

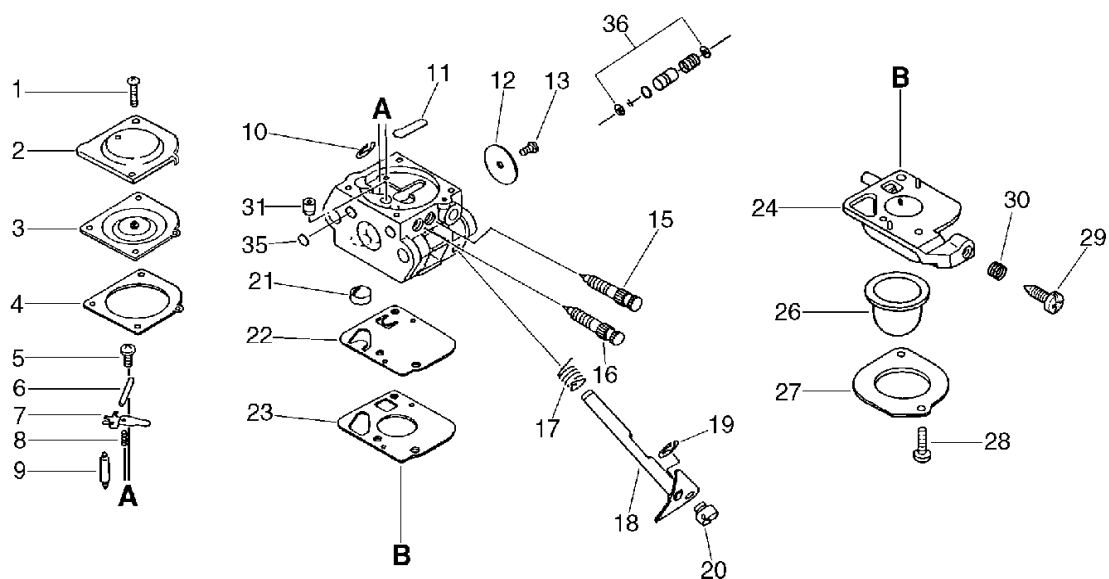
No.7



KEY	LV	PART NUMBER	Q'TY	DESCRIPTION	REMARKS	NOTE1	NOTE2
		125200-13312	1	CARBURETOR	C1U-K52	Sus. by125200-13314	
		125200-13313	1	CARBURETOR	C1U-K52	Sus. by125200-13314	
		125200-13314	1	CARBURETOR	C1U-K52		
1	+	125344-52130	2	SCREW			
2	+	125342-13210	1	COVER, DIAPHRAGM			
3	+	125341-49030	1	DIAPHRAGM			
4	+	125340-51030	1	GASKET, DIAPHRAGM			
5	+	125339-42030	1	SCREW			
6	+	125338-13930	1	PIN, METERING ARM			
7	+	125323-42030	1	LEVER, METERING			
8	+	125322-42030	1	SPRING, COIL			
9	+	125337-06960	1	VALVE, INLET NEEDLE			
10	+	125327-15130	1	CLIP			
11	+	125345-15130	1	PLUG, WELCH			
12	+	125316-49030	1	VALVE, THROTTLE			
13	+	125314-13930	1	SCREW	3*4		
15	+	125318-13120	1	SCREW, IDLE NEEDLE			
16	+	125320-13310	1	NEEDLE, HIGH SPEED			
17	+	125313-42030	1	SPRING, THRT. RETURN			
18	+	125317-13310	1	SHAFT, THROTTLE			
19	+	125327-13930	1	CLIP			
20	+	125372-42030	1	SWIVEL			
21	+	125326-42030	1	STRAINER			
22	+	125312-12820	1	DIAPHRAGM, FUEL PUMP			

7. Carburetor

No.7



KEY	LV	PART NUMBER	Q'TY	DESCRIPTION	REMARKS	NOTE1	NOTE2
23	+	125325-13310	1	GASKET, PUMP			
24	+	125383-13310	1	BASE, PRIMER		Sus. by P005-000590	
24	+	P005-000590	1	BASE, ASY PRIMER			
26	+	125381-08660	1	PUMP, PRIMING			
27	+	125363-11610	1	RING			
28	+	125310-11610	2	SCREW			
29	+	125334-06960	1	SCREW, THROTTLE ADJUST			
30	+	125333-06960	1	SPRING, IDLE ADJUSTER			
31	+	125376-13120	1	NOZZLE, CHECK VALVE			
35	+	125345-13310	1	PLUG, WELCH			
36	+	125306-13120	1	PUMP KIT, ACC.			
		125303-13310	1	DIAPHRAGM/GASKET KIT			
		125300-13310	1	REBUILD KIT			

8. Repair Kit

KEY	LV	PART NUMBER	Q'TY	DESCRIPTION	REMARKS	NOTE1	NOTE2
		889000-21460	1	GASKET KIT E.I		Sus. by 889000-21464	
		889000-21461	1	GASKET KIT		Sus. by 889000-21464	
		889000-21462	1	GASKET KIT		Sus. by 889000-21464	
		889000-21463	1	GASKET KIT		Sus. by 889000-21464	
		889000-21464	1	GASKET KIT			
1-7	+	101010-44332	1	GASKET, CYL. BASE			
1-18	+	100242-42030	1	GASKET, CRANKCASE			
3-5	+	130010-42032	1	GASKET, INTAKE			
3-9	+	V103-000111	1	GASKET, INTAKE		Sus. by 130016-42031	
3-9	+	130016-42031	1	GASKET, INTAKE			
3-22	+	145510-42031	1	GASKET, MUFFLER		Sus. by V104-000160	
3-22	+	V104-000160	1	GASKET, EXHAUST			
3-24	+	145866-42031	1	GASKET, MUFFLER LID		Sr/Nr 004512 and before	
3-24	+	V104-000000	1	GASKET, EXHAUST		Sus. by V104-000003	
3-24	+	V104-000001	1	GASKET, EXHAUST		Sus. by V104-000003	
3-24	+	V104-000002	1	GASKET, EXHAUST		Sus. by V104-000003	

8. Repair Kit

KEY	LV	PART NUMBER	Q'TY	DESCRIPTION	REMARKS	NOTE1	NOTE2
3-24	+	V104-000003	1	GASKET,EXHAUST		Sr/Nr 004513 and after	
6-26	+	610414-21460	1	GASKET, GEAR CASE			
	+	130010-05960	1	GASKET, INTAKE			
		125303-13310	1	DIAPHRAGM/GASKET KIT			
7-3	+	125341-49030	1	DIAPHRAGM			
7-4	+	125340-51030	1	GASKET, DIAPHRAGM			
7-23	+	125325-13310	1	GASKET, PUMP			
	+	125312-42030	1	DIAPHRAGM, FUEL PUMP			
		125300-13310	1	REBUILD KIT			
7-3	+	125341-49030	1	DIAPHRAGM			
7-4	+	125340-51030	1	GASKET, DIAPHRAGM			
7-6	+	125338-13930	1	PIN, METERING ARM			
7-7	+	125323-42030	1	LEVER, METERING			
7-8	+	125322-42030	1	SPRING, COIL			
7-9	+	125337-06960	1	VALVE, INLET NEEDLE			
7-21	+	125326-42030	1	STRAINER			
7-11	+	125345-15130	1	PLUG, WELCH			
7-23	+	125325-13310	1	GASKET, PUMP			
	+	125312-42030	1	DIAPHRAGM, FUEL PUMP			

Index

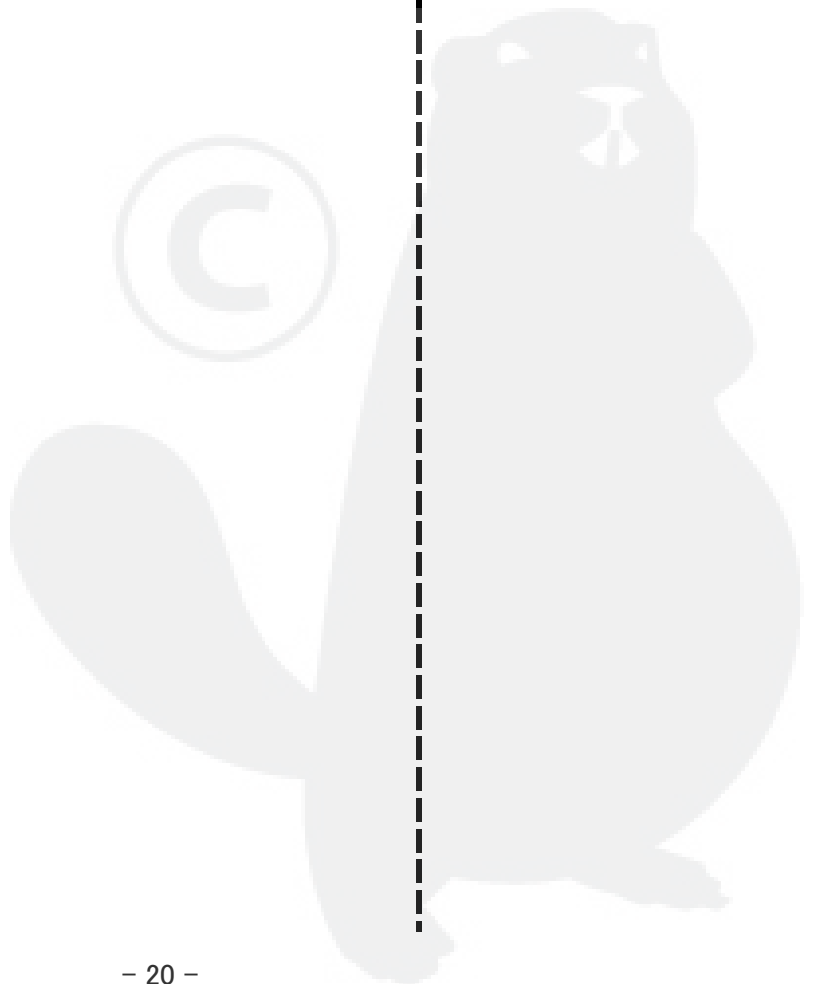
Patrs Number	Key No.	Patrs Number	Key No.	Patrs Number	Key No.
100000-48732	1 - 8	125326-42030	8 - 7-21	132115-46730	4 - 8
100011-05330	1 - 9	125327-13930	7 - 19	145510-42031	3 - 22
100012-51230	1 - 4	125327-15130	7 - 10	145510-42031	8 - 3-22
100013-11520	1 - 10	125333-06960	7 - 30	145631-42030	3 - 28
100014-11520	1 - 12	125334-06960	7 - 29	145802-54130	3 - 30
100015-04630	1 - 11	125337-06960	7 - 9	145863-54130	3 - 26
100100-44732	1 - 17	125337-06960	8 - 7-9	145866-42031	3 - 24
100204-52130	1 - 14	125338-13930	7 - 6	145866-42031	8 - 3-24
100204-52131	1 - 14	125338-13930	8 - 7-6	145871-44331	3 - 28
100204-52132	1 - 14	125339-42030	7 - 5	145876-42030	3 - 25
100212-42030	1 - 13	125340-51030	7 - 4	156112-40630	2 - 13
100212-42031	1 - 13	125340-51030	8 - 7-4	156626-52630	2 - 9
100215-03930	1 - 15	125340-51030	8 - 7-4	156801-12360	2 - 7
100242-42030	1 - 18	125341-49030	7 - 3	156801-44731	2 - 7
100242-42030	8 - 1-18	125341-49030	8 - 7-3	159011-03432	2 - 11
101010-44332	1 - 7	125341-49030	8 - 7-3	159012-03433	2 - 10
101010-44332	8 - 1-7	125342-13210	7 - 2	159017-10230	2 - 12
101011-06562	1 - 5	125344-52130	7 - 1	159912-54130	1 - 22
101503-52131	1 - 25	125345-13310	7 - 35	162010-52830	2 - 16
101514-48930	1 - 23	125345-15130	7 - 11	163400-49230	5 - 7
125200-13312	3 - 10	125345-15130	8 - 7-11	163401-55631	5 - 7
125200-13312	7 -	125363-11610	7 - 27	175000-56830	2 - 6
125200-13313	3 - 10	125372-42030	7 - 20	175005-48931	1 - 33
125200-13313	7 -	125376-13120	7 - 31	177200-54130	2 - 26
125200-13314	3 - 10	125381-08660	7 - 26	177202-44330	2 - 20
125200-13314	7 -	125383-13310	7 - 24	177202-44331	2 - 20
125300-13310	7 -	129011-52730	3 - 16	177215-44430	2 - 29
125300-13310	8 -	130010-05960	8 -	177218-44330	2 - 24
125303-13310	7 -	130010-42032	3 - 5	177220-42030	2 - 33
125303-13310	8 -	130010-42032	8 - 3-5	177226-10120	2 - 30
125306-13120	7 - 36	130016-42031	3 - 9	177227-42030	2 - 31
125310-11610	7 - 28	130016-42031	8 - 3-9	177228-06530	2 - 32
125312-12820	7 - 22	130017-42031	3 - 7	177234-42030	2 - 23
125312-42030	8 -	130307-06561	3 - 14	177236-44330	2 - 27
125312-42030	8 -	130310-54130	3 - 18	178001-56730	5 - 17
125313-42030	7 - 17	130313-06563	3 - 19	178003-52731	5 - 8
125314-13930	7 - 13	131004-08960	4 - 16	178010-52130	5 - 5
125316-49030	7 - 12	131005-46830	4 - 15	178012-52730	5 - 40
125317-13310	7 - 18	131005-46831	4 - 15	178013-52630	5 - 41
125318-13120	7 - 15	131016-55830	4 - 17	178043-42230	5 - 6
125320-13310	7 - 16	131051-52430	4 - 18	178090-52630	5 - 42
125322-42030	7 - 8	131205-07320	4 - 10	178090-52631	5 - 42
125322-42030	8 - 7-8	131300-56430	4 - 5	178090-52632	5 - 42
125323-42030	7 - 7	131312-39130	4 - 7	178127-21360	5 - 19
125323-42030	8 - 7-7	131312-39130	4 - 11	210417-52730	3 - 20
125325-13310	7 - 23	131312-44330	4 - 11	301201-52730	5 - 12
125325-13310	8 - 7-23	132010-56330	4 - 6	351201-21560	5 - 21
125325-13310	8 - 7-23	132011-03360	4 - 9	351213-52730	5 - 4
125326-42030	7 - 21	132012-12360	4 - 13	351415-21460	5 - 25

Index

Patrs Number	Key No.	Patrs Number	Key No.	Patrs Number	Key No.
351610-05360	5 - 24	890152-04930	5 - 39	94035-36201	1 - 16
351611-05360	5 - 23	890157-39130	5 - 43	A011-000000	1 - 17
351643-21460	5 - 27	890617-21660	5 - 28	A011-000001	1 - 17
433022-06460	6 - 12	890617-21661	5 - 28	A011-000002	1 - 17
604221-21460	6 - 15	895112-00330	5 - 30	A101-000000	1 - 9
610013-21560	5 - 16	895410-00430	5 - 31	A130-000010	1 - 5
610206-21560	5 - 14	895610-00130	5 - 32	A130-000011	1 - 5
610225-55330	5 - 15	895612-03430	5 - 33	A130-000021	1 - 5
610225-55331	5 - 15	898510-39130	5 - 34	A313-000000	3 - 26
610239-04130	6 - 9	898523-21560	6 - 35	A320-000250	3 - 28
610272-52730	5 - 1	899580-68730	5 - 35	A320-000251	3 - 28
610281-52730	5 - 36	900105-05055	3 - 36	A356-000030	4 - 5
610308-21460	6 - 16	900142-05025	1 - 42	P005-000590	7 - 24
610312-06560	6 - 22	900162-04012	6 - 28	P021-000390	1 - 8
610312-21460	6 - 20	900162-04022	2 - 8	P021-001100	1 - 8
610312-21460	6 - 20	900162-05012	6 - 10	P021-001101	1 - 8
610335-21460	6 - 2	900162-05022	1 - 6	P021-001102	1 - 8
610335-21560	6 - 17	900162-05028	1 - 19	P021-001380	3 - 30
610361-21460	6 - 5	900162-05028	6 - 8	P021-001381	3 - 30
610361-21560	6 - 18	900162-05030	5 - 22	P021-001382	3 - 30
610410-21460	6 - 6	900163-04016	1 - 20	P021-001383	3 - 30
610411-21460	6 - 27	900163-04016	1 - 26	P021-001384	3 - 30
610414-21460	6 - 26	900163-04016	2 - 35	P021-002861	5 - 35
610414-21460	8 - 6-26	900212-06035	6 - 14	P021-002921	3 - 14
610426-06560	6 - 25	900238-04010	3 - 35	P021-004190	6 - 16
610426-21460	6 - 25	900238-05016	1 - 21	V060-000000	6 - 16
610903-52130	1 - 39	900238-05016	4 - 12	V103-000111	3 - 9
610910-52730	1 - 37	900238-05020	3 - 8	V103-000111	8 - 3-9
610914-21460	6 - 13	900242-05014	5 - 13	V104-000000	8 - 3-24
610922-51030	1 - 41	900242-05025	5 - 10	V104-000001	3 - 24
610923-52130	1 - 40	900242-05028	5 - 2	V104-000001	8 - 3-24
689025-05360	6 - 23	900242-05035	5 - 9	V104-000002	3 - 24
689025-06560	6 - 24	900242-05065	3 - 17	V104-000002	8 - 3-24
697010-21560	6 - 32	900253-04020	5 - 37	V104-000003	3 - 24
699110-21560	6 - 34	900500-00005	3 - 6	V104-000003	8 - 3-24
699113-06560	6 - 31	900500-00005	5 - 3	V104-000160	3 - 22
699115-21460	6 - 29	900500-00005	5 - 11	V104-000160	8 - 3-22
699118-04560	6 - 30	900500-00006	6 - 36	V137-000030	4 - 8
699120-21461	6 - 11	900502-00006	5 - 18	V471-001200	4 - 7
880110-54230	6 - 7	900600-00005	3 - 37	V471-001200	4 - 11
889000-21460	8 -	900603-00005	4 - 14	V553-000010	1 - 4
889000-21461	8 -	900701-00012	1 - 36	V553-000030	1 - 4
889000-21462	8 -	900702-00028	1 - 34	V622-000020	1 - 15
889000-21463	8 -	900706-00012	6 - 1	V650-000080	6 - 22
889000-21464	8 -	900807-96001	1 - 35	V651-000050	6 - 5
889950-21560	5 - 26	900810-36201	1 - 16	V651-000060	6 - 18
890115-21560	1 - 24	900855-06901	6 - 4	X411-000040	6 - 32
890118-49130	2 - 36	900855-06901	6 - 4	X411-000410	6 - 32
890121-05360	3 - 21	900858-06901	6 - 3	X425-000030	6 - 34

Index

Patrs Number	Key No.	Patrs Number	Key No.	Patrs Number	Key No.
X425-000260	6 - 34				



YAMABIKO CORPORATION

7-2 SUEHIROCHO 1-CHOME, OHME, TOKYO 198-8760, JAPAN
PHONE: 81-428-32-6118. FAX: 81-428-32-6145.

ECHO®



2100
No.