



**PARTS CATALOG**

**SHAFT HEDGE TRIMMER**

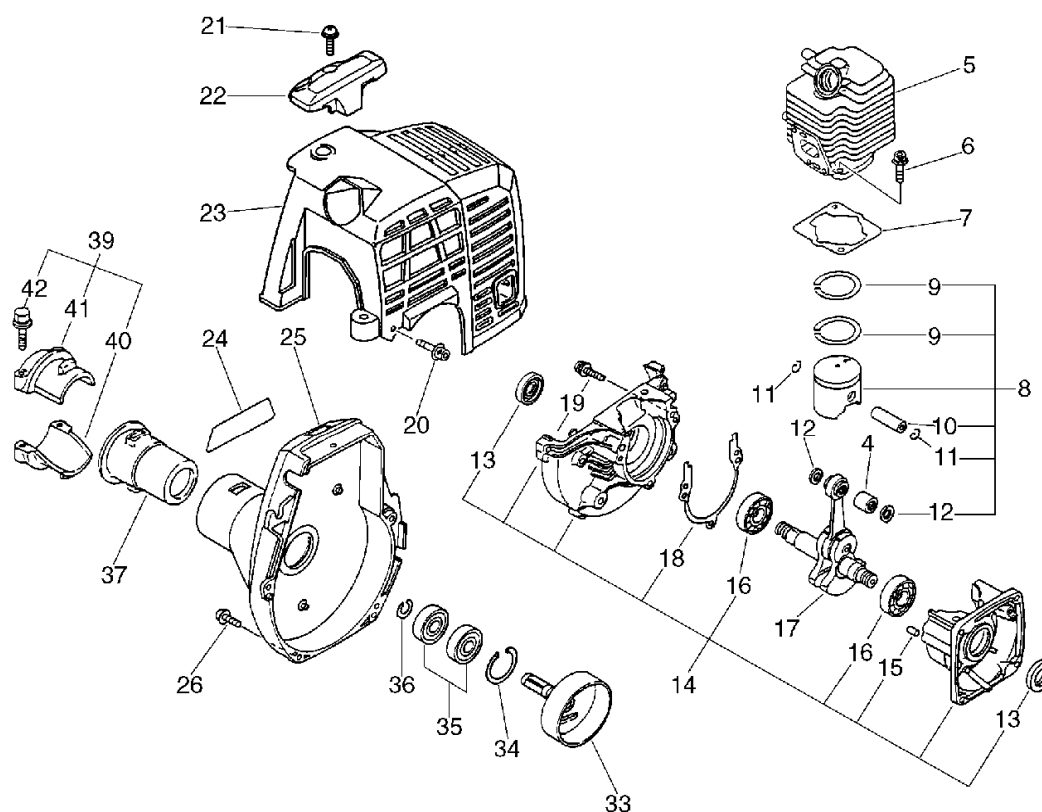
**HCA-2410**



HCA-2410

# 1. Cylinder, Crankcase, Piston, Fan Cover

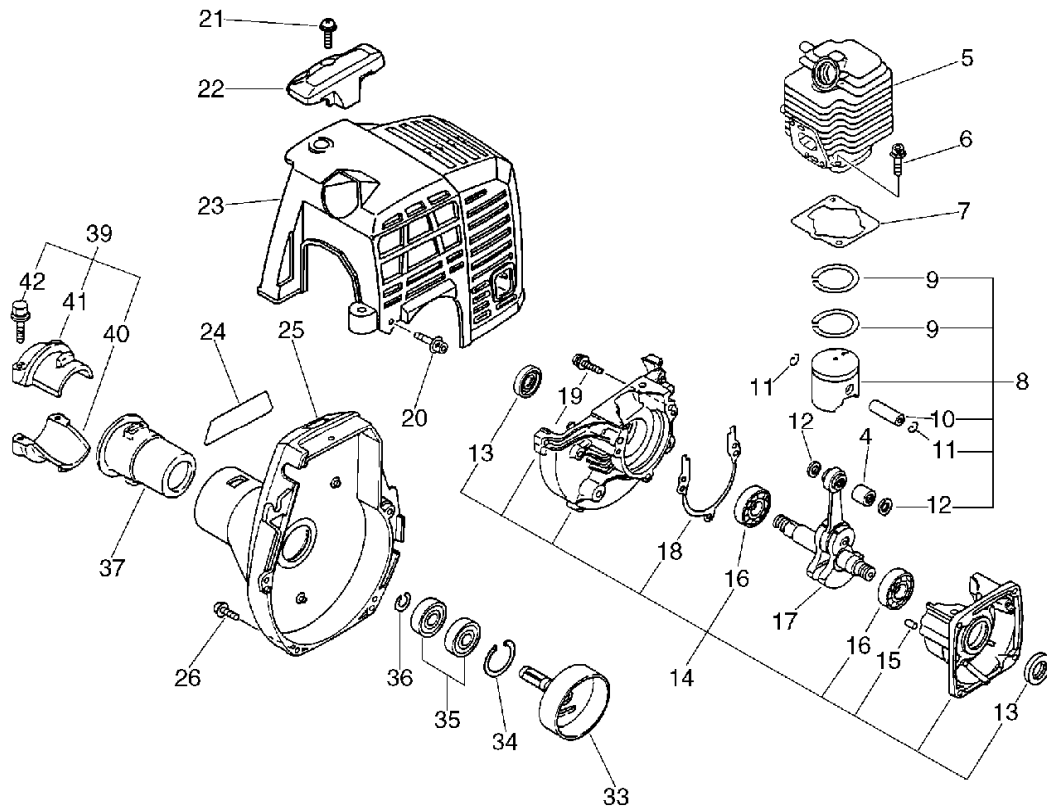
No.1



KEY	LV	PART NUMBER	Q'TY	DESCRIPTION	REMARKS	NOTE1	NOTE2
5		101011-08961	1	CYLINDER (CR)			
6		900162-05022	2	BOLT, H.S. 5*22	5*22 W,SW		
7		101010-44332	1	GASKET, CYL. BASE			
8		100000-09563	1	PISTON KIT			
9	+	100011-09560	2	RING, PISTON			
10	+	100013-11520	1	PIN, PISTON			
11	+	100015-04630	2	CIRCLIP, PISTON PIN			
12	+	100014-11520	2	SPACER, PISTON PIN			
14		100204-52130	1	CRANKCASE KIT		Sus. by 100204-52132	
14		100204-52131	1	CRANKCASE KIT		Sus. by 100204-52132	
14		100204-52132	1	CRANKCASE KIT			
13	+	100212-42030	2	OILSEAL	ISCD12*22*4.5	Sus. by 100212-42031	
13	+	100212-42031	2	OILSEAL	ISCD 12*22*4.5		
15	+	100215-03930	2	PIN, DOWEL			
16	+	900810-36201	2	BEARING, BALL 6201	6201/C3	Sus. by 94035-36201	
16	+	94035-36201	2	BEARING BALL	6201X3JR2C3		
18	+	100242-42030	1	GASKET, CRANKCASE			
19	+	900162-05028	3	BOLT, H.S. 5*28	5*28 W,SW		
17		100100-44732	1	CRANKSHAFT ASSY		Sus. by A011-000101	

# 1. Cylinder, Crankcase, Piston, Fan Cover

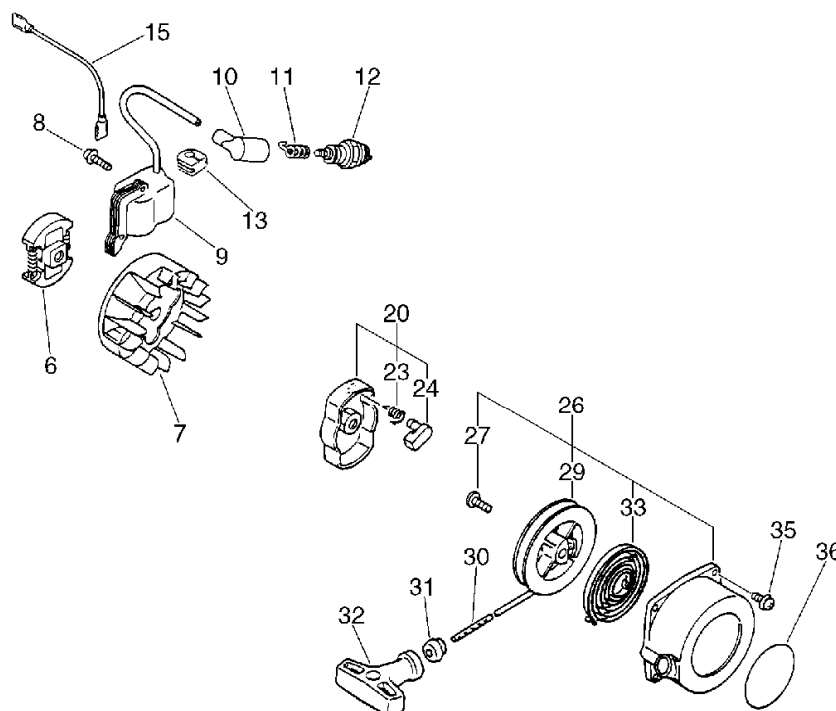
No.1



KEY	LV	PART NUMBER	Q'TY	DESCRIPTION	REMARKS	NOTE1	NOTE2
17		A011-000100	1	CRANKSHAFT,ASM		Sus. by A011-000101	
17		A011-000101	1	CRANKSHAFT,ASM			
4	+	100012-51230	1	BEARING, NEEDLE	8*12*10	Sus. by V553-000010	
4	+	V553-000010	1	BEARING,NEEDLE 8	HK0810		
20		900162-04016	2	BOLT, H.S. 4*16	4*16 W,SW	Sus. by 900163-04016	
20		900163-04016	2	BOLT HSH			
21		900238-05016	1	SCREW 5*16	5*16		
22		159912-54130	1	GUARD, TOP			
23		101514-48930	1	COVER, CYLINDER			
24		890115-13560	1	LABEL, MODEL			
25		101503-52131	1	COVER ASSY, FAN			
26		900162-04016	4	BOLT, H.S. 4*16	4*16 W,SW	Sus. by 900163-04016	
26		900163-04016	4	BOLT HSH			
33		175005-48931	1	DRUM, CLUTCH			
34		900702-00028	1	CIRCLIP 28	CR-28		
35		900807-96001	2	BEARING, BALL 6001	6001		
36		900701-00012	1	CIRCLIP 12	CS-12		
37		610910-55230	1	CUSHION			
39		610903-55230	1	HOLDER KIT			
40	+	610923-55230	1	HOLDER			
41	+	610922-27432	1	HOLDER			
42	+	900142-05025	2	BOLT 5*25 (W/W,SW)	5*25		

## 2. Starter, Magneto, Clutch

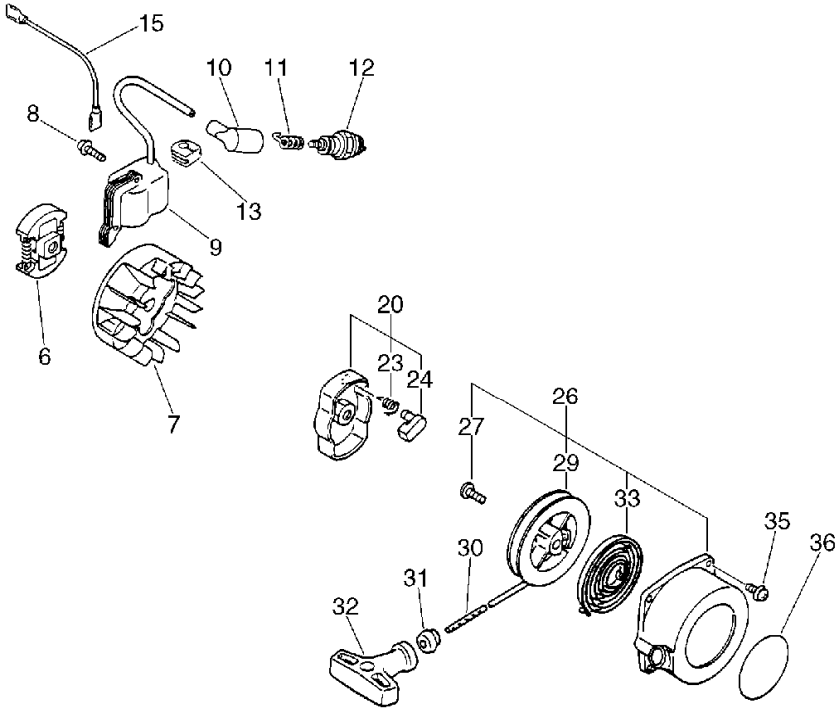
No.2



KEY	LV	PART NUMBER	Q'TY	DESCRIPTION	REMARKS	NOTE1	NOTE2
6		175000-56830	1	CLUTCH ASSY			
7		156801-12360	1	ROTOR, MAGNETO		Sus. by 156801-44731	
7		156801-44731	1	FLYWHEEL			
8		900162-04022	2	BOLT, H.S. 4*22	4*22 W,SW		
9		156626-52630	1	COIL, IGNITION			
10		159012-03433	1	CAP, SPARK PLUG			
11		159011-03432	1	COIL, SPARK PLUG			
12		159010-10230	1	PLUG, SPARK (BPMR-7A	BPMR-7A		
13		156112-40630	1	GROMMET			
15		162010-52830	1	LEAD, GROUND			
20		177202-44330	1	PAWL ASSY, STARTER		Sus. by 177202-44331	
20		177202-44331	1	PAWL ASM., STARTER			
23	+	177234-42030	1	SPRING, RETURN			
24	+	177218-44330	1	PAWL, STARTER	BLACK		
26		177200-42033	1	STARTER ASSY			
27	+	177236-44330	1	SCREW			
29	+	177215-44430	1	DRUM, STARTER			
30	+	177226-10120	1	ROPE, STARTER	3.0*1000		
31	+	177227-42030	1	GUIDE, ROPE			
32	+	177228-06530	1	GRIP, STARTER			
33	+	177220-42030	1	SPRING, REWIND			
35		900162-04016	2	BOLT, H.S. 4*16	4*16 W,SW	Sus. by 900163-04016	
35		900163-04016	2	BOLT HSH			

# 2. Starter, Magneto, Clutch

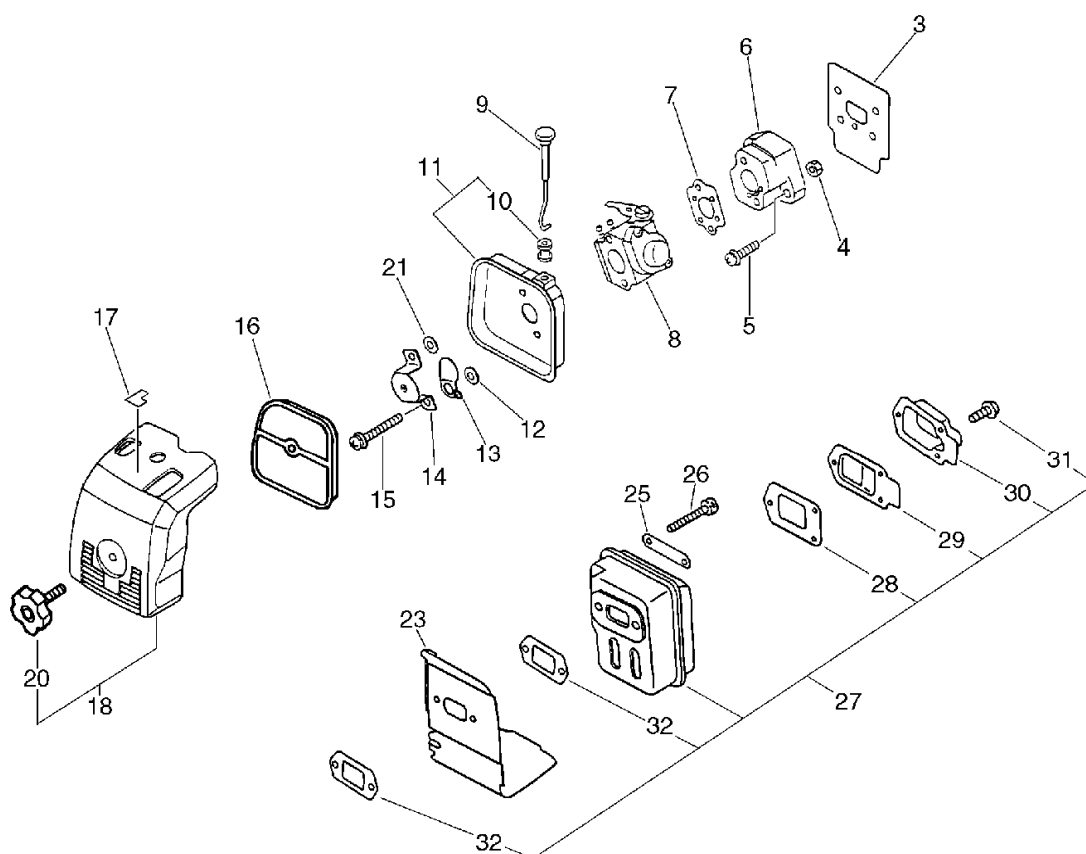
No.2



KEY	LV	PART NUMBER	Q'TY	DESCRIPTION	REMARKS	NOTE1	NOTE2
36		890118-49130	1	LABEL, ECHO			

## 3. Air Cleaner, Muffler

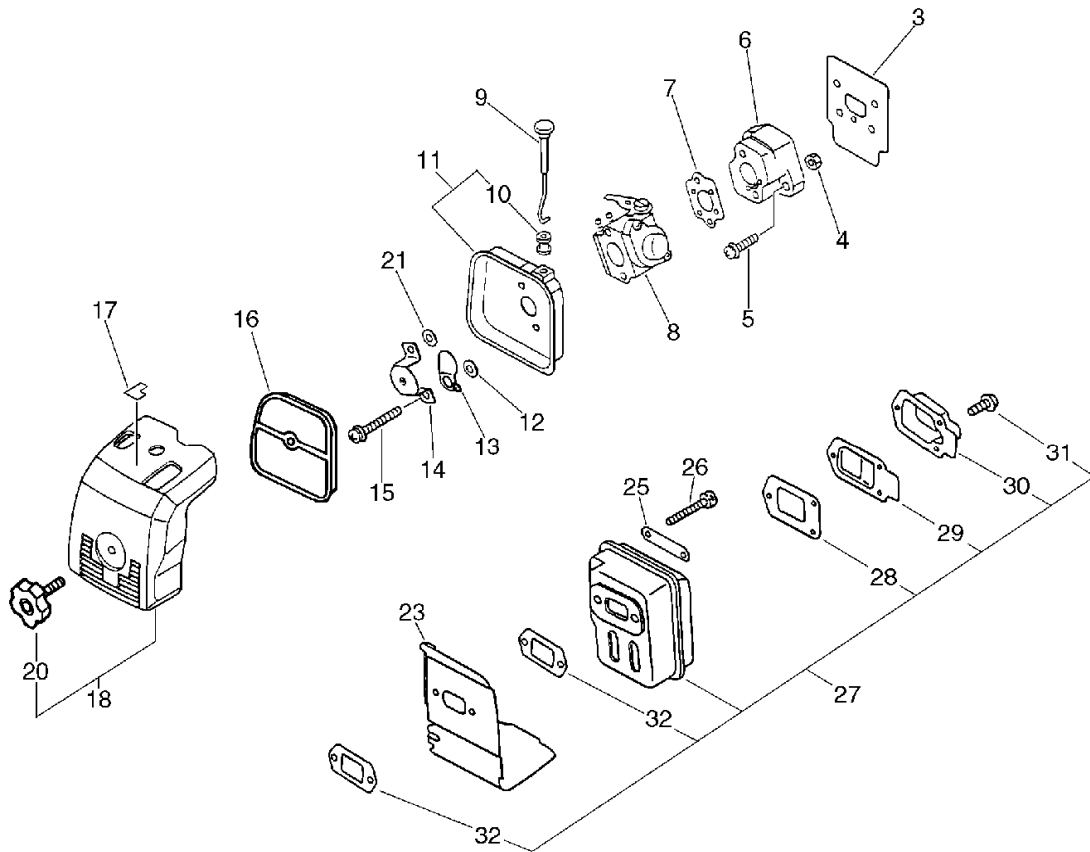
No.3



KEY	LV	PART NUMBER	Q'TY	DESCRIPTION	REMARKS	NOTE1	NOTE2
3		130010-42032	1	GASKET,INTAKE			
4		900500-00005	2	NUT 5	5		
5		900238-05020	2	SCREW 5*20	5*20		
6		130017-42031	1	INSULATOR, INTAKE			
7		130010-05960	1	GASKET, INTAKE			
8		123000-52132	1	CARBURETOR ASSY	WT424B		
8		123000-52133	1	CARBURETOR WT-424C	WT-424C		
9		178510-51730	1	ROD, CHOKE			
11		130301-51730	1	CASE, AIR CLEANER			
10	+	178810-05230	1	GROMMET			
12		178516-00830	1	SPACER	5.2*8*0.8T		
13		178515-05060	1	SHUTTER, CHOKE			
14		129011-52130	1	PLATE		Sus. By 129011-52131	
14		129011-52131	1	PLATE			
15		900242-05057	2	SCREW 5*57	5*57		
16		130310-51830	1	FILTER, AIR			
17		890121-47530	1	LABEL, CHOKE			
18		130302-52130	1	COVER ASSY, AIR CLN.		Sus. By 130302-52131	
18		130302-52131	1	COVER ASY, A.CLEANER			
20	+	130406-52130	1	KNOB, FASTENER		Sus. By 130406-52131	
20	+	130406-52131	1	KNOB, FASTENER			
21		900600-00005	1	WASHER 5	5		

### 3. Air Cleaner, Muffler

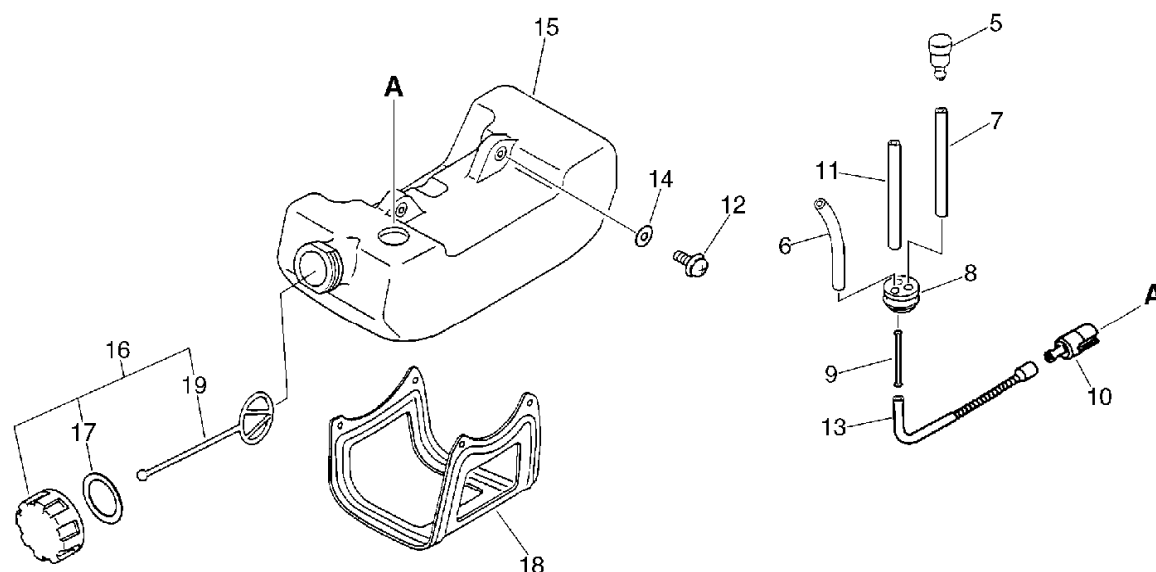
No.3



KEY	LV	PART NUMBER	Q'TY	DESCRIPTION	REMARKS	NOTE1	NOTE2
23		145631-42030	1	COVER, MUFFLER		Sus. By A320-000251	
23		A320-000250	1	COVER,MUFFLER		Sus. By A320-000251	
23		A320-000251	1	COVER,MUFFLER			
25		145642-04930	1	WASHER			
26		900105-05055	2	BOLT, H.S. 5*55	5*55		
27		145802-21560	1	MUFFLER ASSY			
28	+	145866-42031	1	GASKET, MUFFLER LID			
29	+	145876-42030	1	LID, MUFFLER (B)			
30	+	145818-52130	1	GUIDE, EXHAUST			
31	+	900242-04010	3	SCREW 4*10	4*10		
32	+	145510-42031	2	GASKET, MUFFLER		Sus. by V104-000160	
32	+	145510-42032	2	GASKET, MUFFLER		Sus. by V104-000160	
32	+	V104-000160	2	GASKET,EXHAUST			

## 4. Fuel Tank

No.4

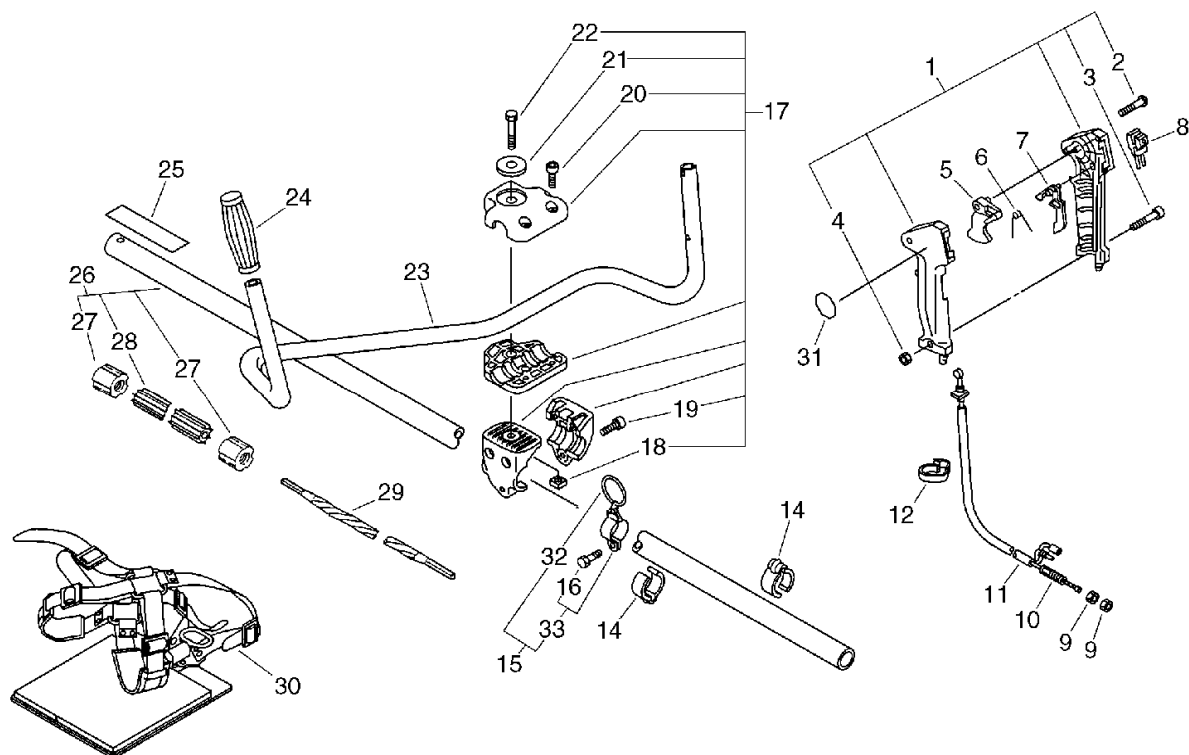


KEY	LV	PART NUMBER	Q'TY	DESCRIPTION	REMARKS	NOTE1	NOTE2
5		131300-56430	1	VALVE, CHECK		Sus. by A356-000030	
5		A356-000030	1	VALVE,CHECK			
6		132010-56330	1	PIPE 3*6*90	3*6*90 YL		
7		131312-39130	1	PIPE	3*5*70(+3)NBR	Sus. by V471-001200	
7		V471-001200	1	PIPE	3*5*70 NBR		
8		132115-46730	1	GROMMET, FUEL		Sus. by V137-000030	
8		V137-000030	1	GROMMET,FUEL			
9		132011-03360	1	CONNECTOR, FUEL PIPE			
10		131205-07320	1	STRAINER, FUEL			
11		131312-39130	1	PIPE	3*5*70(+3)NBR	Sus. by V471-001200	
11		V471-001200	1	PIPE	3*5*70 NBR		
12		900238-05016	2	SCREW 5*16	5*16		
13		132012-12360	1	PIPE, FUEL			
14		900603-00005	2	WASHER 5	5.5*12*0.8		
15		131005-46830	1	TANK, FUEL		Sus. by 131005-46831	
15		131005-46831	1	TANK, FUEL			
16		131004-08960	1	CAP ASSY, FUEL			
17	+	131016-55830	1	GASKET, FUEL CAP			
19	+	131051-52430	1	CONNECTOR, CAP	80L		
18		305110-42030	1	STAND (BL)			



## 5. Handle

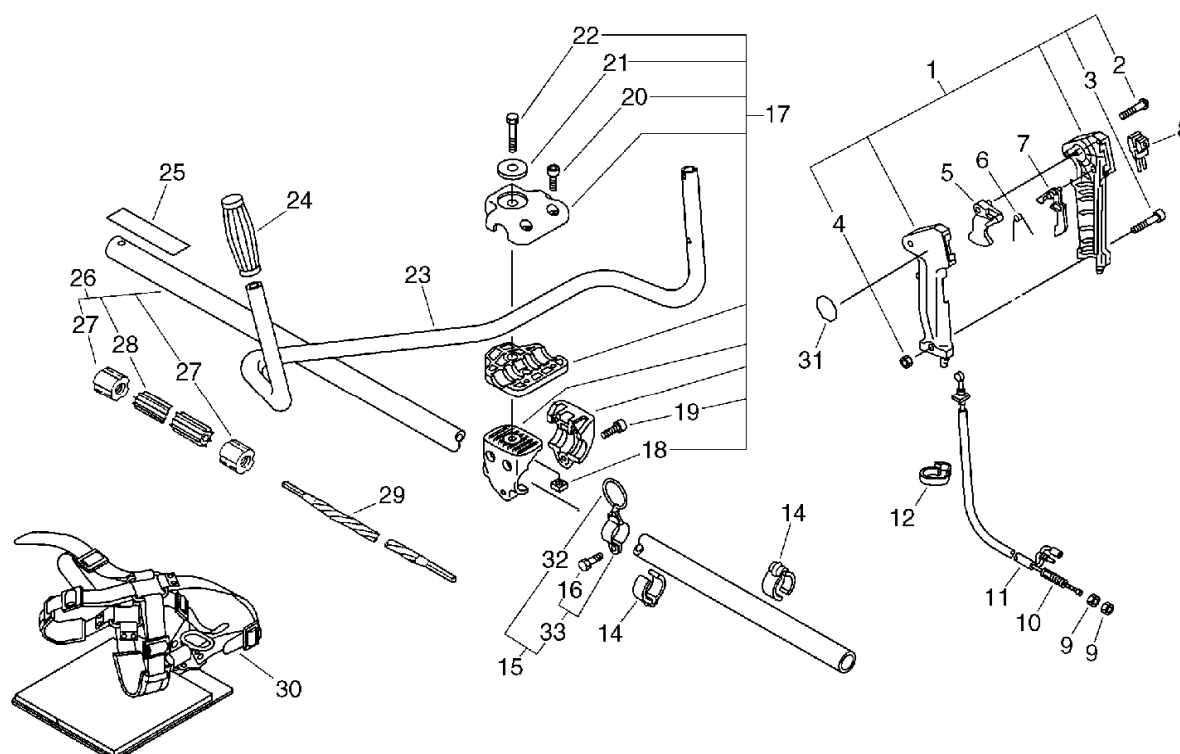
## No.5



KEY	LV	PART NUMBER	Q'TY	DESCRIPTION	REMARKS	NOTE1	NOTE2
1		351102-47530	1	GRIP ASSY, F-HANDLE			
2	+	900246-03025	4	SCREW 3*25	3*25		
3	+	900220-05030	1	SCREW 5*30	5*30		
4	+	900500-00005	1	NUT 5	5		
5		178010-05960	1	CONTROL, THROTTLE			
6		178013-35631	1	SPRING, THR. LOCK			
7		178012-05960	1	LOCKOUT, THROTTLE			
8		163400-13560	1	SWITCH, IGNITION			
9		900502-00006	2	NUT 6 (3N)	3N6		
10		178001-13560	1	CABLE, THROTTLE			
11		178016-13560	1	TUBE	7*900L		
12		159112-09960	1	CLIP		Sus. by 159112-09961	
12		159112-09961	1	CLIP			
14		224924-52130	2	CLIP	25MM		
15		301200-21330	1	HOOK ASS'Y			
32	+	301015-05330	1	HOOK, BAND			
33	+	301205-21330	1	HOOK			
16	++	900105-05012	1	BOLT, H.S. 5*12	5*12		
17		351301-52130	1	BRACKET ASSY, HANDLE			
18	+	900565-50008	1	NUT	8*1.25		
19	+	900162-05030	3	BOLT, H.S. 5*30	5*30 W,SW		
20	+	900162-05020	2	BOLT, H.S. 5*20	5*20 W,SW		
21	+	605014-54230	1	WASHER			
22	+	351421-52130	1	BOLT			

## 5. Handle

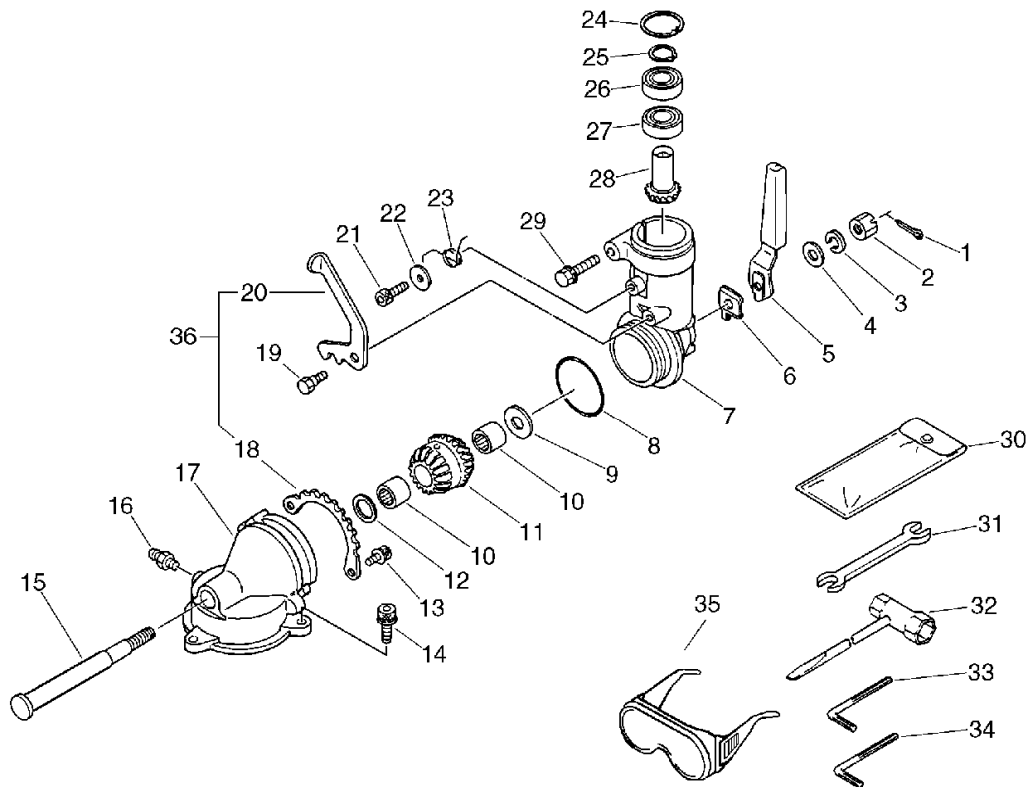
No.5



KEY	LV	PART NUMBER	Q'TY	DESCRIPTION	REMARKS	NOTE1	NOTE2
23		351214-52130	1	HANDLE, FRONT		Sus. by C400-000000	
23		C400-000000	1	HANDLE, FRONT			
24		351311-02330	1	GRIP, HANDLE			
25		890617-12360	1	LABEL, CAUTION		Sus. by 890617-12361	
25		890617-12361	1	LABEL, CAUTION			
26		610206-44730	1	HOUSING ASSY, D.SHFT		Sus. by C050-000460	
26		C050-000460	1	PIPE, MAIN			
27	+	610246-44730	2	STOPPER			
28	+	610217-44730	1	LINER, FLEXIBLE			
29		610013-44730	1	SHAFT, FLEXIBLE			
30		301001-56831	1	HARNESS ASY, SHOULDER			
31		890157-39130	1	LABEL, SWITCH		Disuse	

## 6. Gear Case, Tools

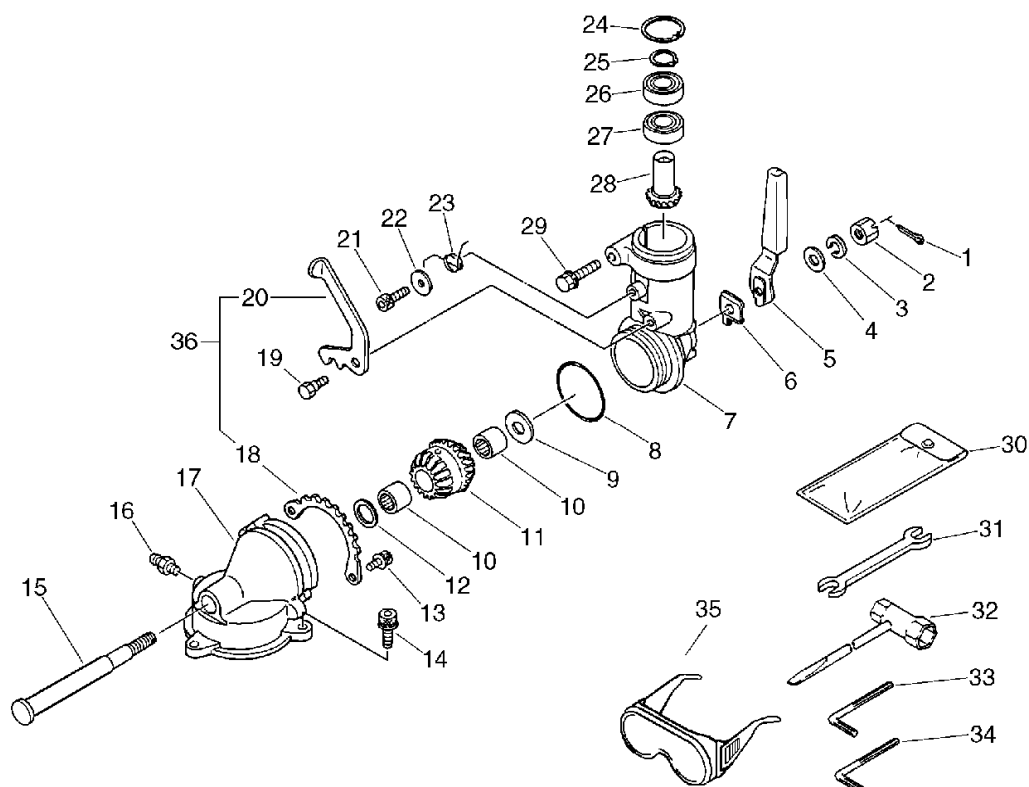
No.6



KEY	LV	PART NUMBER	Q'TY	DESCRIPTION	REMARKS	NOTE1	NOTE2
1		900300-16016	1	PIN, SPLIT 1.6*16	1.6*16		
2		900529-00006	1	NUT 6	6		
3		900605-00006	1	WASHER, SPRING 6	6		
4		403720-07350	1	WASHER, SLUST			
5		190511-12360	1	PIECE, LEVER		Sus. by 190511-12362	
5		190511-12361	1	PIECE, LEVER		Sus. by 190511-12362	
5		190511-12362	1	PIECE, LEVER			
6		610478-12360	1	PLATE, ANGLE		Sus. by 610478-12361	
6		610478-12361	1	PLATE, ANGLE			
7		610410-12361	1	CASE, GEAR			
8		900724-00032	1	O-RING	S-32		
9		100132-06720	1	WASHER 8.5*18*2	8.5*18*2	Sus. by 610350-12360	
9		610350-12360	1	WASHER			
10		100113-11520	2	BEARING, NEEDLE	10*14*10		
11		610361-12360	1	GEAR, BEVEL			
12		610317-12360	1	WASHER, ADJUSTMENT		Sus. by 610317-12460	
12		610317-12460	1	WASHER, CIRCULAR 10			
13		900162-04010	2	BOLT, H.S. 4*10	4*10 W, SW		
14		900162-05018	3	BOLT, H.S. 5*18	5*18 W, SW		
15		610310-12360	1	SHAFT, P.T.O.			
16		880110-10860	2	NIPPLE, GREASE			

## 6. Gear Case, Tools

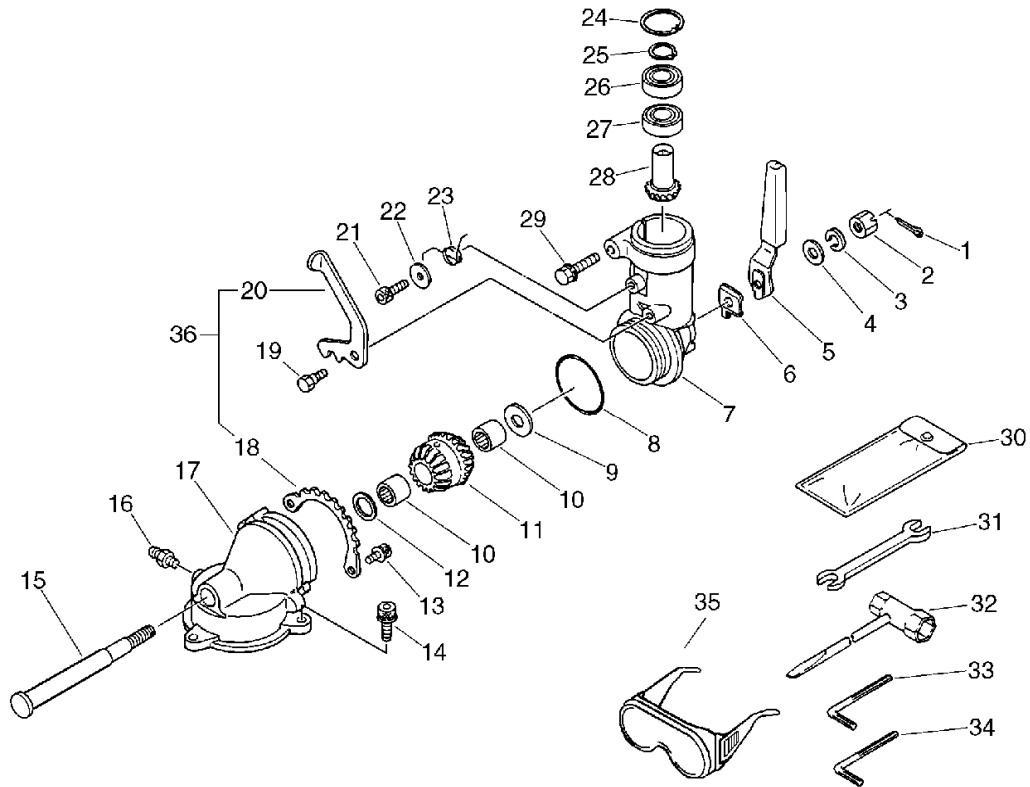
No.6



KEY	LV	PART NUMBER	Q'TY	DESCRIPTION	REMARKS	NOTE1	NOTE2
17		610431-12360	1	LID, GEAR CASE			
18		610470-12360	1	RESETTER, LATCH		Sus. by P021-000850	
36		P021-000850	1	LATCH RESETTER SET			
18	+	610470-12361	1	RESETTER, LATCH		Next Production	
20	+	610472-12361	1	PAWL		Next Production	
19		610474-12360	1	BOLT 5			
20		610472-12360	1	PAWL		Sus. by P021-000850	
21		900162-05014	1	BOLT, H.S. 5*14	5*14 W,SW		
22		900603-00005	1	WASHER 5	5.5*12*0.8		
23		178013-12360	1	SPRING, THR. LOCK			
24		900702-00022	1	CIRCLIP 22	CR-22		
25		900706-00010	1	CIRCLIP 10	WR-10		
26		900858-06900	1	BEARING, BALL 6900Z	6900Z		
27		900855-06900	1	BEARING, BALL 6900	6900		
28		610311-12360	1	GEAR, DRIVE			
29		900142-05035	1	BOLT 5*35 (W/W,SW)	5*35		
30		898510-39130	1	BAG, TOOL			
31		895112-00330	1	SPANNER 8*10			
32		895410-08030	1	WRENCH, W/S. DRIVER		Sus. by X602-000020	
32		X602-000020	1	TOOL,WRENCH	17*19 L200		
33		895612-03430	1	L-WRENCH (3MM)			

# 6. Gear Case, Tools

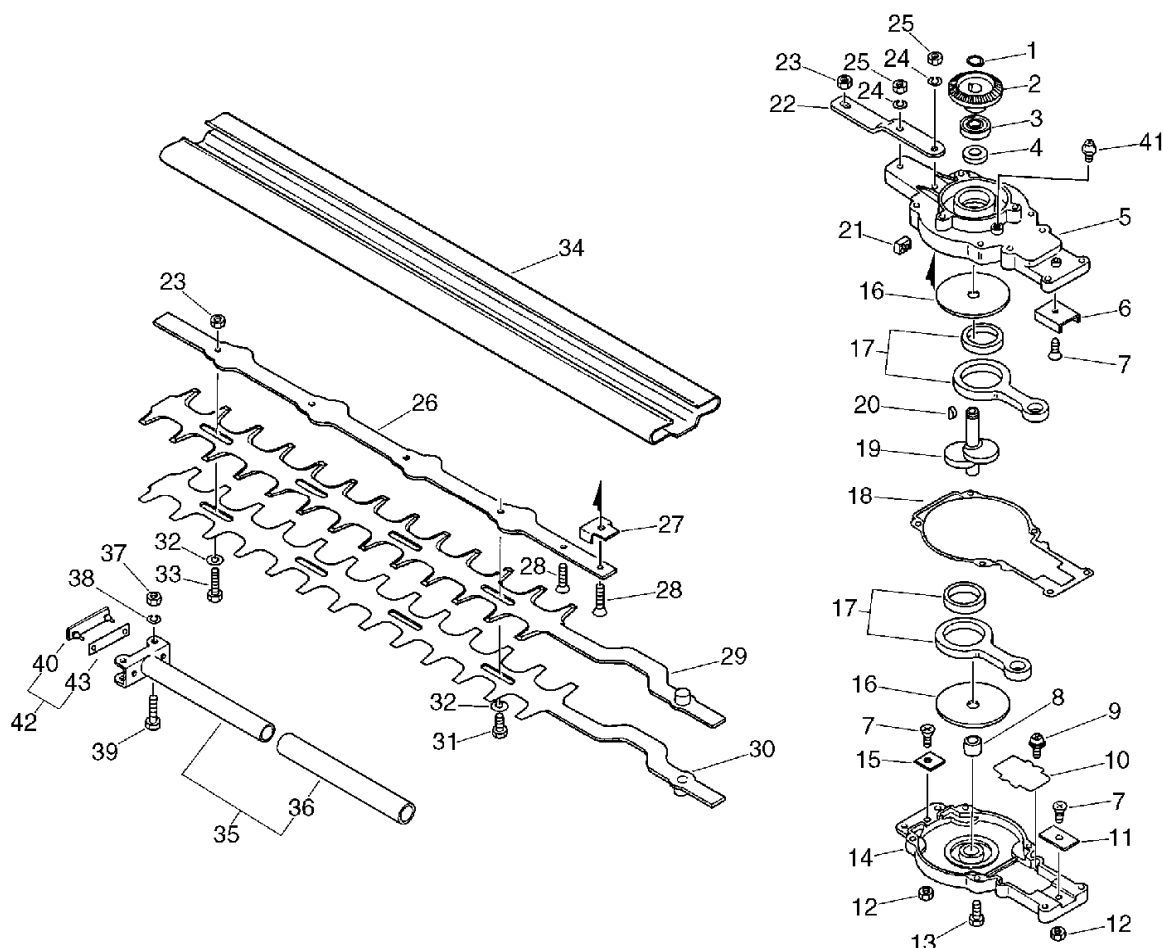
No.6



KEY	LV	PART NUMBER	Q'TY	DESCRIPTION	REMARKS	NOTE1	NOTE2
34		895610-00130	1	L-WRENCH (4MM)			
35		899580-40930	1	GOGGLE		Sus. by X690-000030	
35		899580-68730	1	SAFETY GLASSES		Sus. by X690-000030	
35		X690-000030	1	GOGGLE			

## 7. Cutter

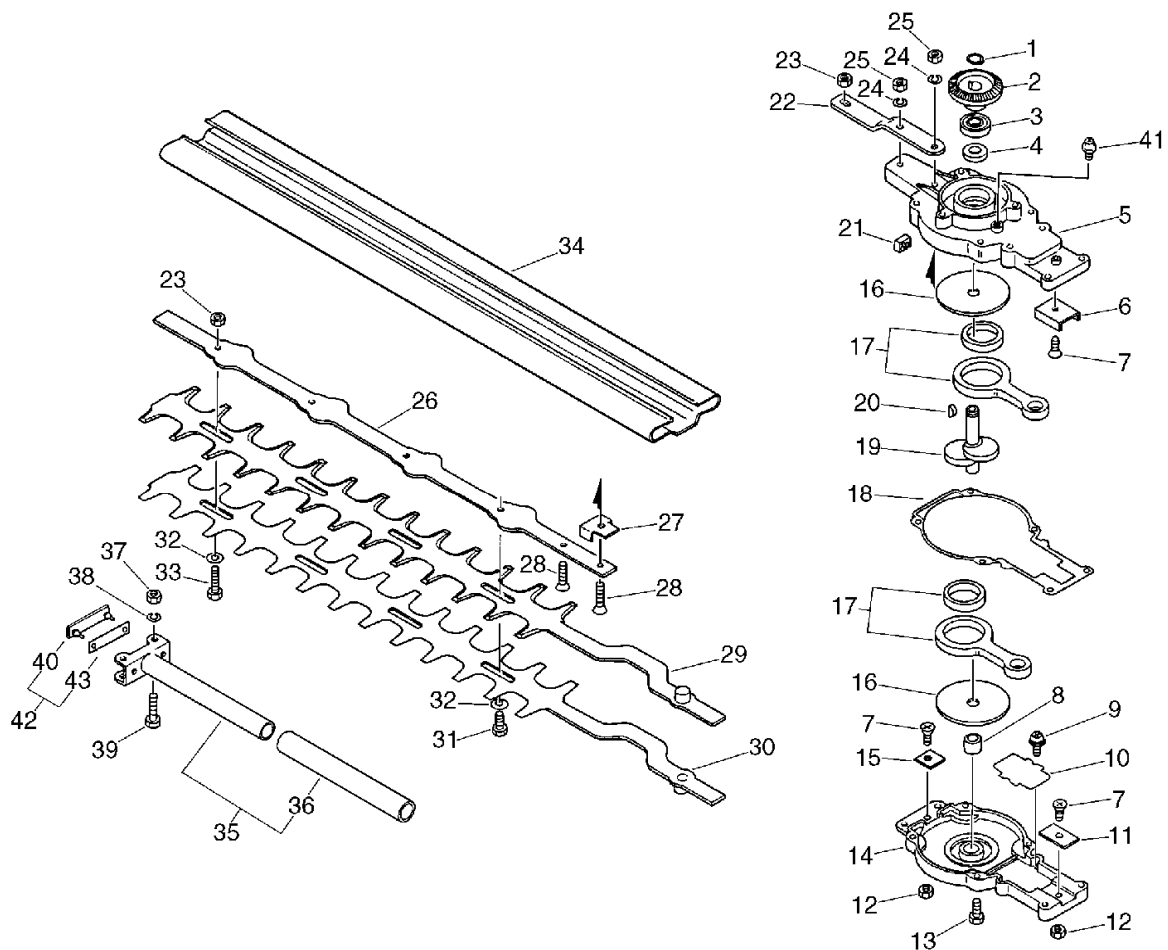
No.7



KEY	LV	PART NUMBER	Q'TY	DESCRIPTION	REMARKS	NOTE1	NOTE2
1		900701-00010	1	CIRCLIP 10	CS-10		
2		610312-12360	1	GEAR, SPUR			
3		900800-06000	1	BEARING, BALL 6000	6000		
4		100213-05930	1	OILSEAL	IS 10*20*5		
5		610420-12360	1	CASE, GEAR		Sus. by 610420-12361	
5		610420-12361	1	CASE, GEAR			
6		610441-54030	1	GUIDE			
7		900212-04008	3	SCREW 4*8	+SF4*8		
9		900242-03006	4	SCREW 3*6	3*6		
10		610424-54030	2	PLATE, SIDE			
11		610447-54030	1	PLATE, EYE			
12		900500-00004	2	NUT 4	4		
13		900142-05020	4	BOLT 5*20 (W/W,SW)	5*20		
14		610409-54030	1	COVER ASSY		Sus. by 610409-54031	
14		610409-54031	1	CASE, CAM			
8	+	160616-05410	1	COLLAR.			
15		610450-54030	1	PLATE, GUIDE			
16		610462-54030	2	PLATE, SIDE			
17		610805-54030	2	BAR, OPERATION			
18		V110-000000	1	GASKET, GEAR CASE			
19		610344-12360	1	CAM			
20		610325-02730	1	KEY, WOODRUFF			
21		610426-54030	2	SEAL			
22		699110-12360	1	SUPPORT, CUTTER			

## 7. Cutter

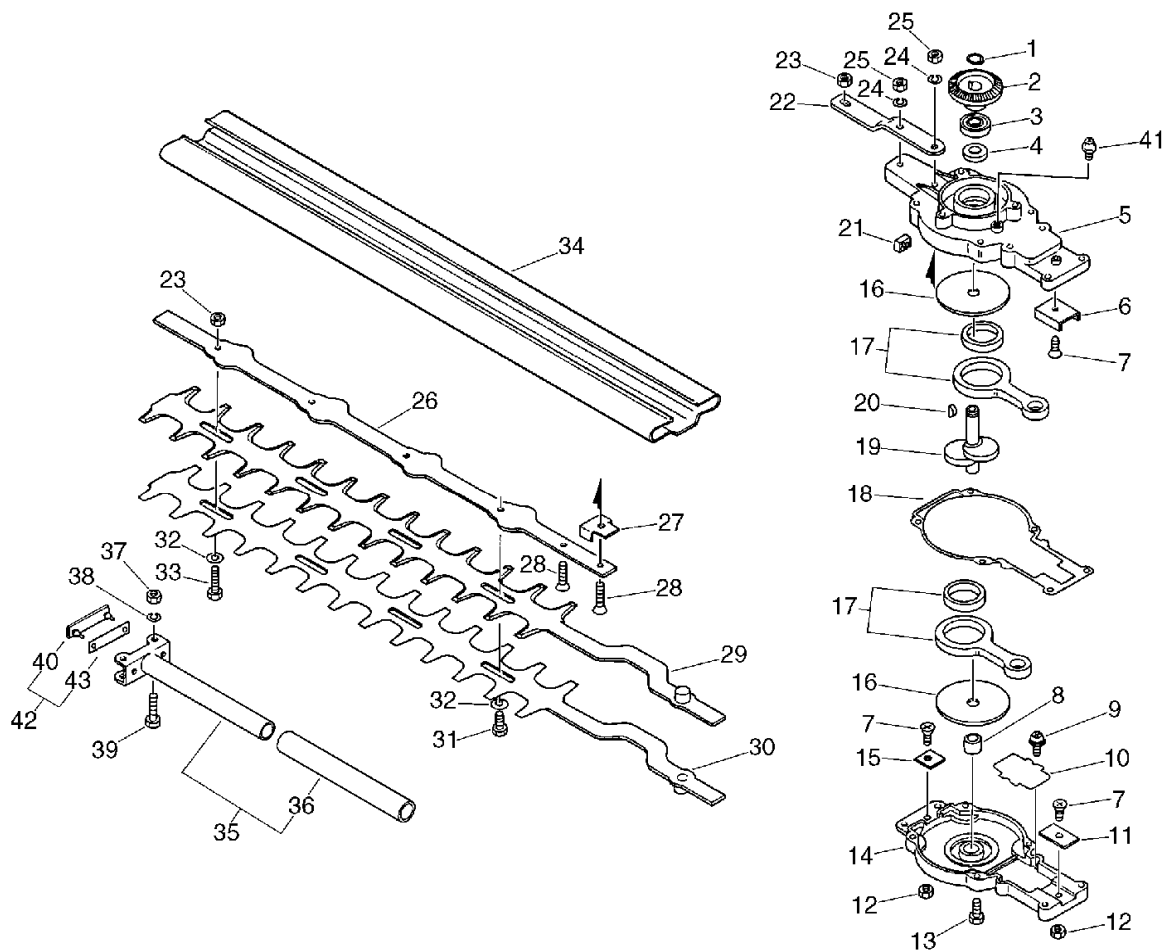
No.7



KEY	LV	PART NUMBER	Q'TY	DESCRIPTION	REMARKS	NOTE1	NOTE2
23		433022-06460	4	NUT			
24		900605-00005	2	WASHER, SPRING 5	5		
25		900500-00005	2	NUT 5	5		
26		X425-000070	1	SUPPORT,CUTTER		Sus. by 699117-12360	
26		699117-12360	1	SUPPORT, CUTTER			
27		610440-54030	1	PLATE, ANGLE			
28		900212-05020	2	SCREW 5*20	+SF5*20		
29		697005-12360	1	CUTTER		Sus. by X411-000490	
29		697005-12361	1	CUTTER		Sus. by X411-000490	
29		X411-000120	1	CUTTER	DUAL L470 T2.5	Sus. by X411-000490	
29		X411-000490	1	CUTTER	L= 624		
30		697006-12360	1	CUTTER		Sus. by X411-000500	
30		697006-12361	1	CUTTER		Sus. by X411-000500	
30		X411-000130	1	CUTTER	DUAL L470 T2.5	Sus. by X411-000500	
30		X411-000500	1	CUTTER	L= 624		
31		699115-07760	1	BOLT, CUTTER			
32		699118-04560	4	WASHER			
33		699115-04560	3	BOLT, CUTTER			
34		898523-12360	1	SCABBARD, BLADE			

## 7. Cutter

No.7

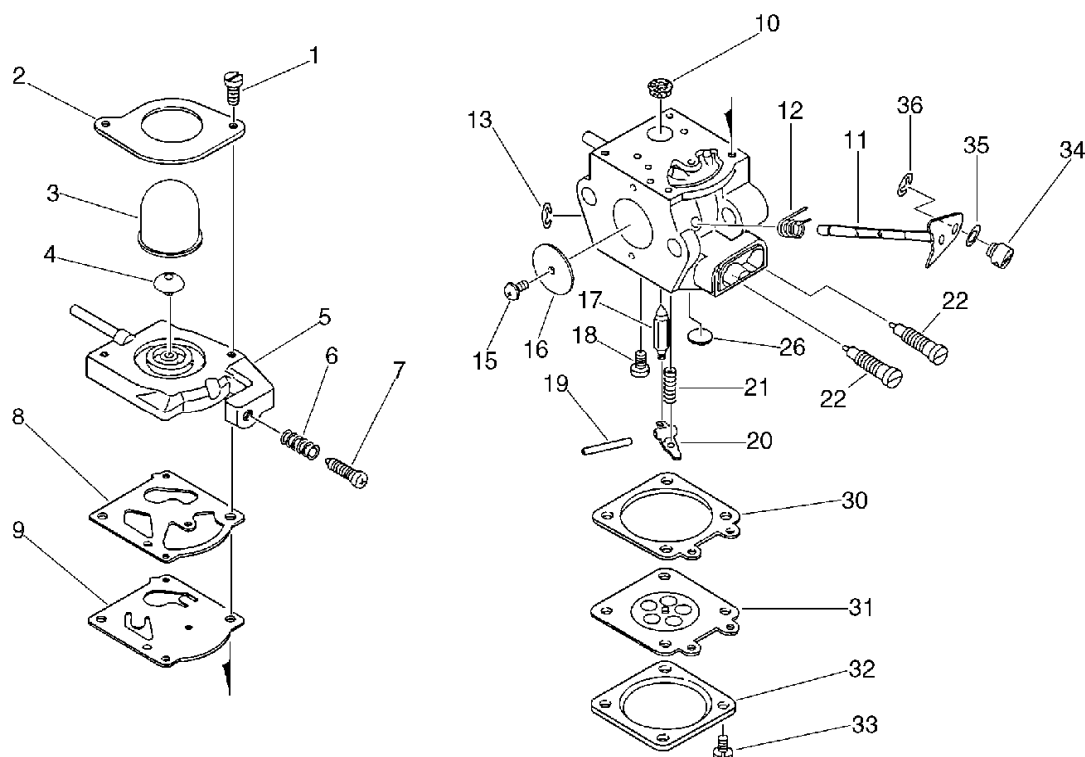


KEY	LV	PART NUMBER	Q'TY	DESCRIPTION	REMARKS	NOTE1	NOTE2
35		351305-12360	1	HANDLE			
36	+	351315-12360	1	GRIP, HANDLE	19*135		
37		900500-00005	2	NUT 5	5		
38		900605-00005	2	WASHER, SPRING 5	5		
39		900142-05025	2	BOLT 5*25 (W/W,SW)	5*25		
40		610426-12360	1	SEAL		Sus. by V150-000311	
42		V150-000310	1	PLATE,EYE		Sus. by V150-000311	
42		V150-000311	1	PLATE,EYE			
40	+	610426-12361	1	SEAL		Sus. by 610426-12362	
40	+	610426-12362	1	SEAL			
43	+	V150-000300	1	PLATE,EYE			
41		880110-10860	1	NIPPLE, GREASE			



## 8. Carburetor

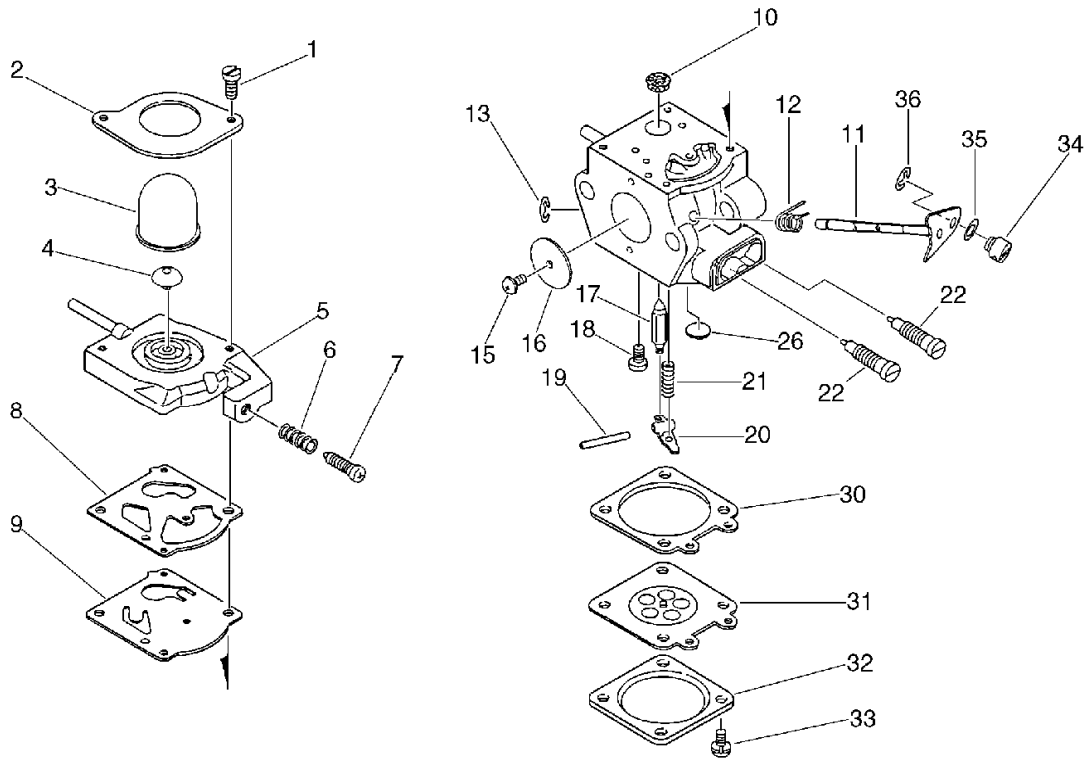
No.8



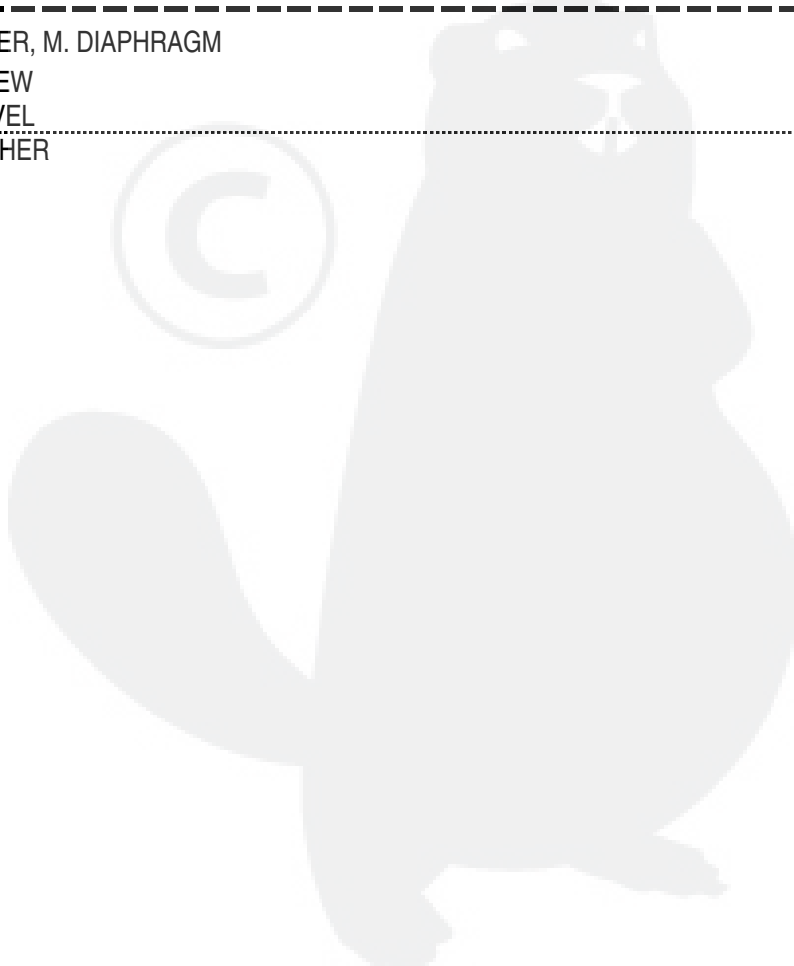
KEY	LV	PART NUMBER	Q'TY	DESCRIPTION	REMARKS	NOTE1	NOTE2
		123000-52132	1	CARBURETOR ASSY	WT424B		
		123000-52133	1	CARBURETOR WT-424C	WT-424C		
1	+	123110-43130	2	SCREW			
2	+	123142-09560	1	COVER, PRIMER PUMP			
3	+	123181-09560	1	PUMP, PRIMER			
4	+	123171-35630	1	VALVE, CHECK			
5	+	123124-43230	1	COVER, FUEL PUMP			
6	+	123133-04260	1	SPRING, IDLE ADJUST			
7	+	123134-04260	1	SCREW, IDLE ADJUST			
8	+	123125-09560	1	GASKET, FUEL PUMP			
9	+	123112-09560	1	DIAPHRAGM, FUEL PUMP			
10	+	123126-10631	1	SCREEN, INLET			
11	+	123117-52130	1	SHAFT, THROTTLE			
12	+	123113-52130	1	SPRING, THE.RTN			
13	+	123127-15030	1	RING			
15	+	123114-38830	1	SCREW			
16	+	123116-53130	1	VALVE, THROTTLE			
17	+	123137-19830	1	VALVE, INLET NEEDLE			
18	+	123139-03930	1	SCREW, M. LEVER PIN			
19	+	123138-03930	1	PIN, METERING LEVER			
20	+	123123-03930	1	LEVER, METERING			
21	+	123122-39330	1	SPRING, METER. LEVER			
22	+	123120-52130	2	NEEDLE, HIGH SPEED			
26	+	123146-10631	1	PLUG, WELCH			
30	+	123140-03930	1	GASKET, M. DIAPHRAGM			
31	+	123141-03930	1	DIAPHRAGM, METERING			

# 8. Carburetor

No.8



KEY	LV	PART NUMBER	Q'TY	DESCRIPTION	REMARKS	NOTE1	NOTE2
32	+	123142-03930	1	COVER, M. DIAPHRAGM			
33	+	123130-02960	4	SCREW			
34	+	123172-26030	1	SWIVEL			
35	+	123149-26030	1	WASHER			
36	+	123173-07930	1	CLIP			



**Index**

<b>Patrs Number</b>	<b>Key No.</b>	<b>Patrs Number</b>	<b>Key No.</b>	<b>Patrs Number</b>	<b>Key No.</b>
100000-09563	1 - 8	123149-26030	8 - 35	163400-13560	5 - 8
100011-09560	1 - 9	123171-35630	8 - 4	175000-56830	2 - 6
100012-51230	1 - 4	123172-26030	8 - 34	175005-48931	1 - 33
100013-11520	1 - 10	123173-07930	8 - 36	177200-42033	2 - 26
100014-11520	1 - 12	123181-09560	8 - 3	177202-44330	2 - 20
100015-04630	1 - 11	129011-52130	3 - 14	177202-44331	2 - 20
100100-44732	1 - 17	129011-52131	3 - 14	177215-44430	2 - 29
100113-11520	6 - 10	130010-05960	3 - 7	177218-44330	2 - 24
100132-06720	6 - 9	130010-42032	3 - 3	177220-42030	2 - 33
100204-52130	1 - 14	130017-42031	3 - 6	177226-10120	2 - 30
100204-52131	1 - 14	130301-51730	3 - 11	177227-42030	2 - 31
100204-52132	1 - 14	130302-52130	3 - 18	177228-06530	2 - 32
100212-42030	1 - 13	130302-52131	3 - 18	177234-42030	2 - 23
100212-42031	1 - 13	130310-51830	3 - 16	177236-44330	2 - 27
100213-05930	7 - 4	130406-52130	3 - 20	178001-13560	5 - 10
100215-03930	1 - 15	130406-52131	3 - 20	178010-05960	5 - 5
100242-42030	1 - 18	131004-08960	4 - 16	178012-05960	5 - 7
101010-44332	1 - 7	131005-46830	4 - 15	178013-12360	6 - 23
101011-08961	1 - 5	131005-46831	4 - 15	178013-35631	5 - 6
101503-52131	1 - 25	131016-55830	4 - 17	178016-13560	5 - 11
101514-48930	1 - 23	131051-52430	4 - 19	178510-51730	3 - 9
123000-52132	3 - 8	131205-07320	4 - 10	178515-05060	3 - 13
123000-52132	8 -	131300-56430	4 - 5	178516-00830	3 - 12
123000-52133	3 - 8	131312-39130	4 - 7	178810-05230	3 - 10
123000-52133	8 -	131312-39130	4 - 11	190511-12360	6 - 5
123110-43130	8 - 1	132010-56330	4 - 6	190511-12361	6 - 5
123112-09560	8 - 9	132011-03360	4 - 9	190511-12362	6 - 5
123113-52130	8 - 12	132012-12360	4 - 13	224924-52130	5 - 14
123114-38830	8 - 15	132115-46730	4 - 8	301001-56831	5 - 30
123116-53130	8 - 16	145510-42031	3 - 32	301015-05330	5 - 32
123117-52130	8 - 11	145510-42032	3 - 32	301200-21330	5 - 15
123120-52130	8 - 22	145631-42030	3 - 23	301205-21330	5 - 33
123122-39330	8 - 21	145642-04930	3 - 25	305110-42030	4 - 18
123123-03930	8 - 20	145802-21560	3 - 27	351102-47530	5 - 1
123124-43230	8 - 5	145818-52130	3 - 30	351214-52130	5 - 23
123125-09560	8 - 8	145866-42031	3 - 28	351301-52130	5 - 17
123126-10631	8 - 10	145876-42030	3 - 29	351305-12360	7 - 35
123127-15030	8 - 13	156112-40630	2 - 13	351311-02330	5 - 24
123130-02960	8 - 33	156626-52630	2 - 9	351315-12360	7 - 36
123133-04260	8 - 6	156801-12360	2 - 7	351421-52130	5 - 22
123134-04260	8 - 7	156801-44731	2 - 7	403720-07350	6 - 4
123137-19830	8 - 17	159010-10230	2 - 12	433022-06460	7 - 23
123138-03930	8 - 19	159011-03432	2 - 11	605014-54230	5 - 21
123139-03930	8 - 18	159012-03433	2 - 10	610013-44730	5 - 29
123140-03930	8 - 30	159112-09960	5 - 12	610206-44730	5 - 26
123141-03930	8 - 31	159112-09961	5 - 12	610217-44730	5 - 28
123142-03930	8 - 32	159912-54130	1 - 22	610246-44730	5 - 27
123142-09560	8 - 2	160616-05410	7 - 8	610310-12360	6 - 15
123146-10631	8 - 26	162010-52830	2 - 15	610311-12360	6 - 28

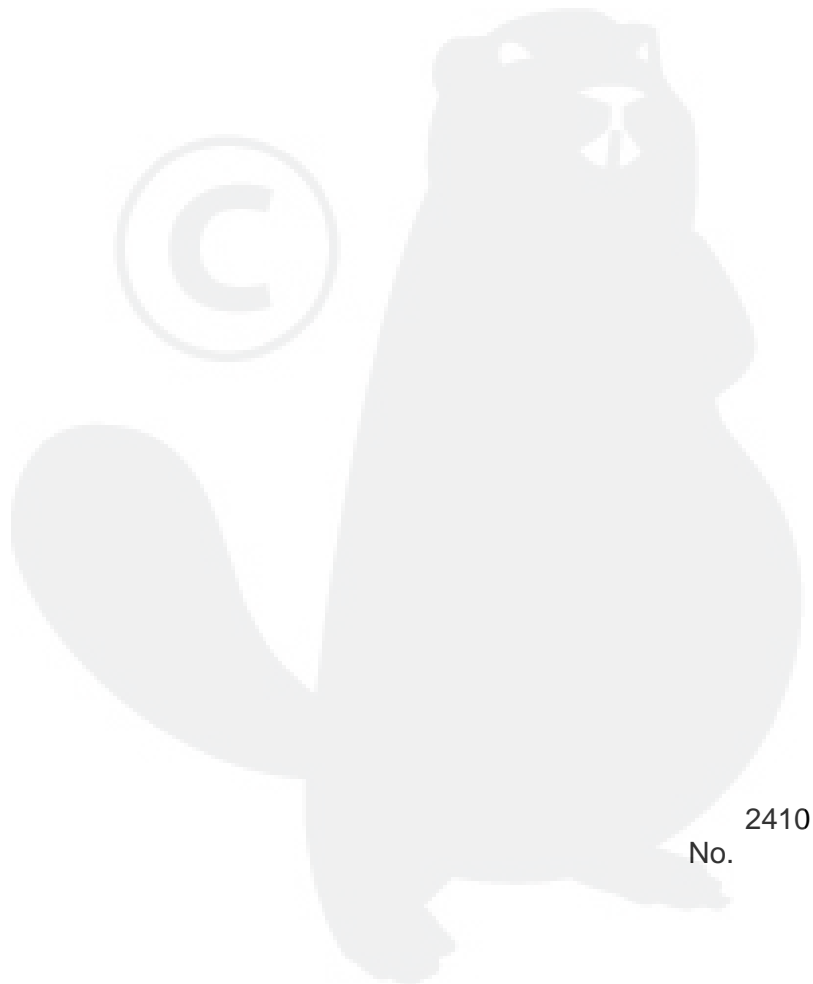
**Index**

<b>Patrs Number</b>	<b>Key No.</b>	<b>Patrs Number</b>	<b>Key No.</b>	<b>Patrs Number</b>	<b>Key No.</b>
610312-12360	7 - 2	890157-39130	5 - 31	900565-50008	5 - 18
610317-12360	6 - 12	890617-12360	5 - 25	900600-00005	3 - 21
610317-12460	6 - 12	890617-12361	5 - 25	900603-00005	4 - 14
610325-02730	7 - 20	895112-00330	6 - 31	900603-00005	6 - 22
610344-12360	7 - 19	895410-08030	6 - 32	900605-00005	7 - 24
610350-12360	6 - 9	895610-00130	6 - 34	900605-00005	7 - 38
610361-12360	6 - 11	895612-03430	6 - 33	900605-00006	6 - 3
610409-54030	7 - 14	898510-39130	6 - 30	900701-00010	7 - 1
610409-54031	7 - 14	898523-12360	7 - 34	900701-00012	1 - 36
610410-12361	6 - 7	899580-40930	6 - 35	900702-00022	6 - 24
610420-12360	7 - 5	899580-68730	6 - 35	900702-00028	1 - 34
610420-12361	7 - 5	900105-05012	5 - 16	900706-00010	6 - 25
610424-54030	7 - 10	900105-05055	3 - 26	900724-00032	6 - 8
610426-12360	7 - 40	900142-05020	7 - 13	900800-06000	7 - 3
610426-12361	7 - 40	900142-05025	1 - 42	900807-96001	1 - 35
610426-12362	7 - 40	900142-05025	7 - 39	900810-36201	1 - 16
610426-54030	7 - 21	900142-05035	6 - 29	900855-06900	6 - 27
610431-12360	6 - 17	900162-04010	6 - 13	900858-06900	6 - 26
610440-54030	7 - 27	900162-04016	1 - 20	94035-36201	1 - 16
610441-54030	7 - 6	900162-04016	1 - 26	A011-000100	1 - 17
610447-54030	7 - 11	900162-04016	2 - 35	A011-000101	1 - 17
610450-54030	7 - 15	900162-04022	2 - 8	A320-000250	3 - 23
610462-54030	7 - 16	900162-05014	6 - 21	A320-000251	3 - 23
610470-12360	6 - 18	900162-05018	6 - 14	A356-000030	4 - 5
610470-12361	6 - 18	900162-05020	5 - 20	C050-000460	5 - 26
610472-12360	6 - 20	900162-05022	1 - 6	C400-000000	5 - 23
610472-12361	6 - 20	900162-05028	1 - 19	P021-000850	6 - 36
610474-12360	6 - 19	900162-05030	5 - 19	V104-000160	3 - 32
610478-12360	6 - 6	900163-04016	1 - 20	V110-000000	7 - 18
610478-12361	6 - 6	900163-04016	1 - 26	V137-000030	4 - 8
610805-54030	7 - 17	900163-04016	2 - 35	V150-000300	7 - 43
610903-55230	1 - 39	900212-04008	7 - 7	V150-000310	7 - 42
610910-55230	1 - 37	900212-05020	7 - 28	V150-000311	7 - 42
610922-27432	1 - 41	900220-05030	5 - 3	V471-001200	4 - 7
610923-55230	1 - 40	900238-05016	1 - 21	V471-001200	4 - 11
697005-12360	7 - 29	900238-05016	4 - 12	V553-000010	1 - 4
697005-12361	7 - 29	900238-05020	3 - 5	X411-000120	7 - 29
697006-12360	7 - 30	900242-03006	7 - 9	X411-000130	7 - 30
697006-12361	7 - 30	900242-04010	3 - 31	X411-000490	7 - 29
699110-12360	7 - 22	900242-05057	3 - 15	X411-000500	7 - 30
699115-04560	7 - 33	900246-03025	5 - 2	X425-000070	7 - 26
699115-07760	7 - 31	900300-16016	6 - 1	X602-000020	6 - 32
699117-12360	7 - 26	900500-00004	7 - 12	X690-000030	6 - 35
699118-04560	7 - 32	900500-00005	3 - 4		
880110-10860	6 - 16	900500-00005	5 - 4		
880110-10860	7 - 41	900500-00005	7 - 25		
890115-13560	1 - 24	900500-00005	7 - 37		
890118-49130	2 - 36	900502-00006	5 - 9		
890121-47530	3 - 17	900529-00006	6 - 2		

# YAMABIKO CORPORATION

7-2 SUEHIROCHO 1-CHOME, OHME, TOKYO 198-8760, JAPAN  
PHONE: 81-428-32-6118. FAX: 81-428-32-6145.

**ECHO**®



2410  
No.