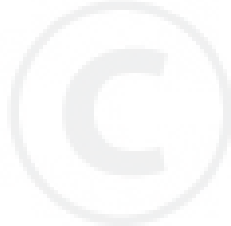




PARTS CATALOG

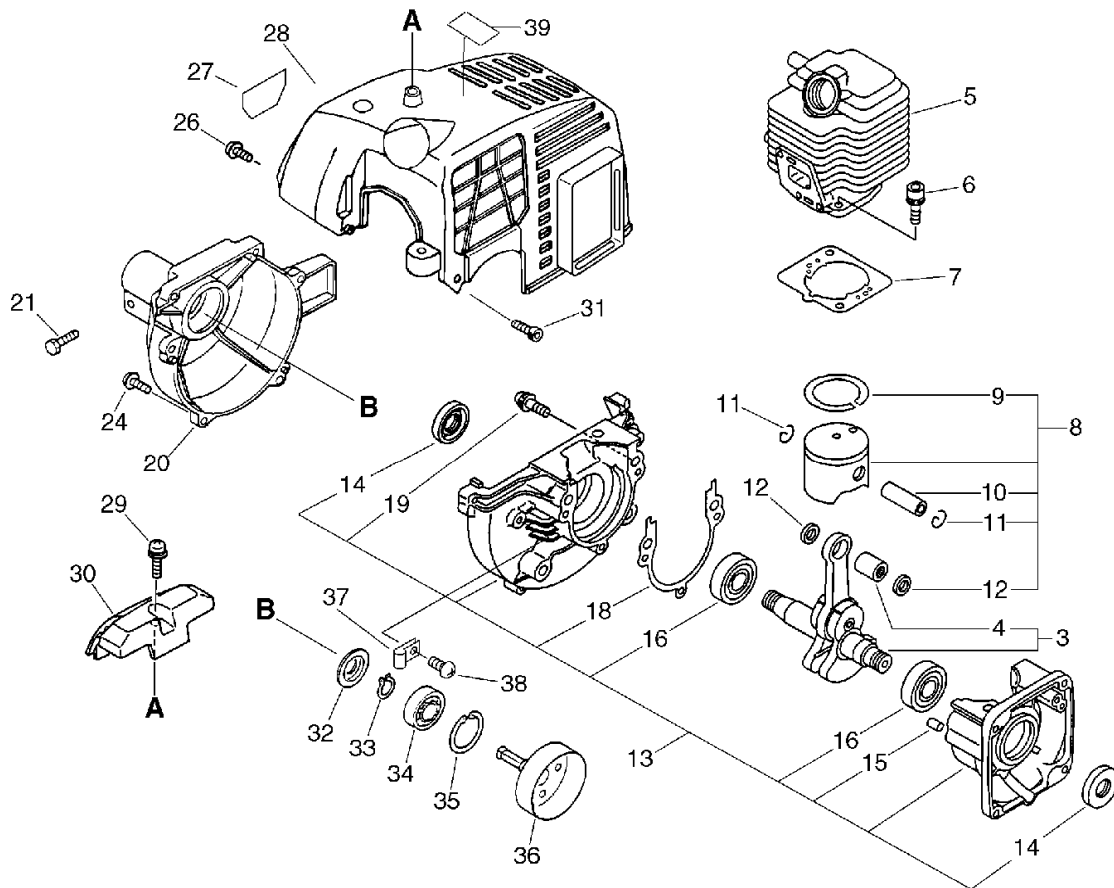
POWER PRUNER

PPT-2100(37)



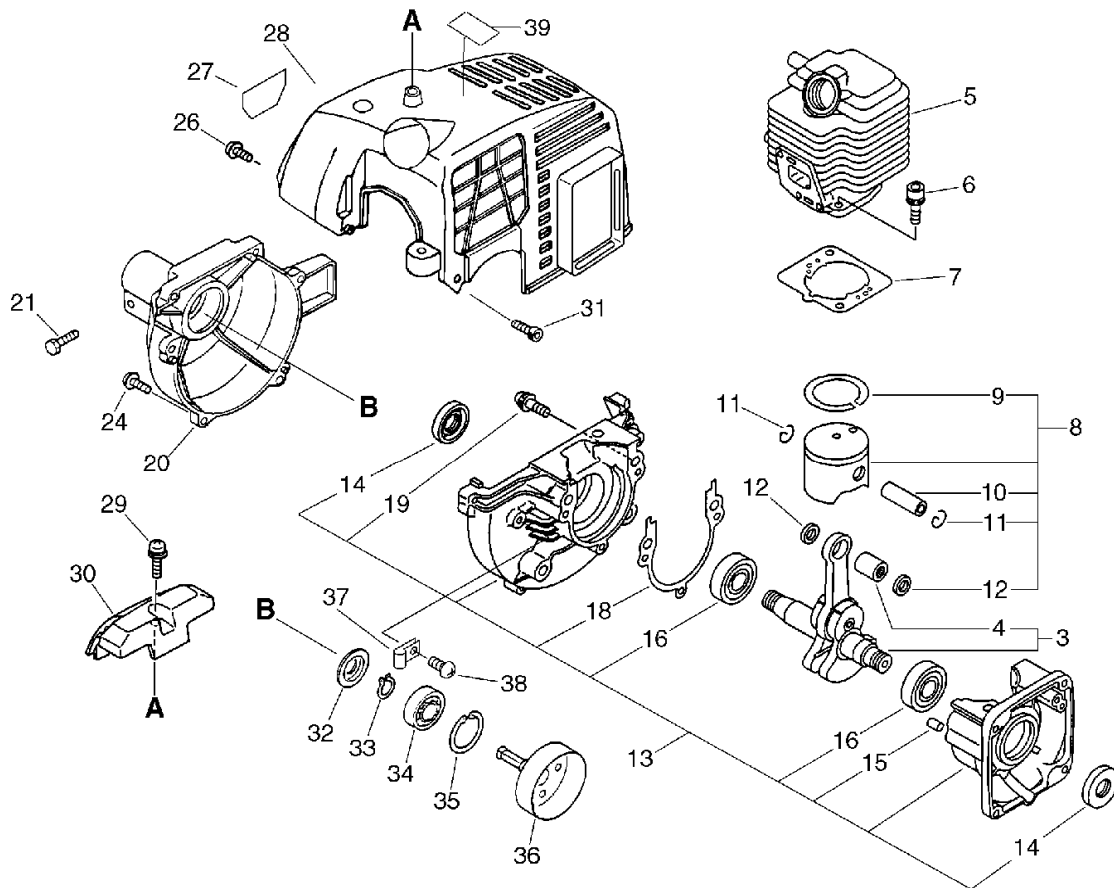
37001998 -

1. CYLINDER, CRANKCASE, PISTON



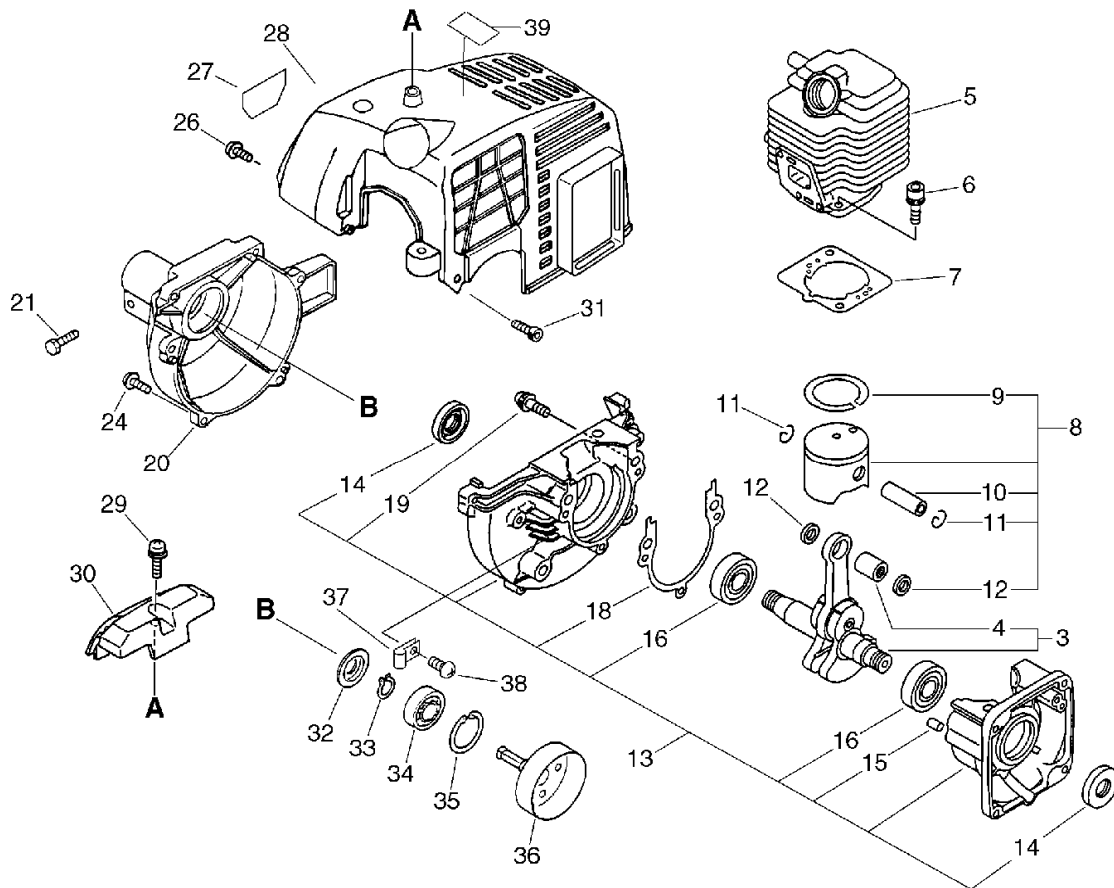
KEY	LV	PART NUMBER	Q'TY	DESCRIPTION	REMARKS	NOTE1	NOTE2
3		A011-000101	1	CRANKSHAFT,ASM			
4	+	V553-000060	1	BEARING,NEEDLE 8	HK0810FMV4		
5		A130-000540	1	CYLINDER			
6		900162-05022	2	BOLT, H.S. 5*22	5*22 W,SW		
7		V100-000160	1	GASKET,CYL			
8		P021-007712	1	PISTON KIT			
9	+	A101-000090	1	RING,PISTON			
10	+	100013-11520	1	PIN, PISTON			
11	+	100015-04630	2	CIRCLIP, PISTON PIN			
12	+	100014-11520	2	SPACER, PISTON PIN			
13		100204-52132	1	CRANKCASE KIT			
13		100204-52133	1	CRANKCASE KIT			
14	+	100212-42031	2	OILSEAL	ISCD 12*22*4.5		
15	+	100215-03930	2	PIN, DOWEL			
16	+	94035-36201	2	BEARING BALL	6201X3JR2C3		
18	+	100242-42030	1	GASKET, CRANKCASE			
19	+	900162-05028	3	BOLT, H.S. 5*28	5*28 W,SW		
20		101511-44630	1	COVER, FAN (BS)			
21		900162-05025	1	BOLT, H.S. 5*25	5*25 W,SW		
24		900163-04016	4	BOLT HSH			
26		900238-04012	2	SCREW 4*12	4*12		
27		X547-000910	1	LABEL,ECHO			
28		A160-000590	1	COVER,CYLINDER			
29		900253-05016	1	SCREW	5*16		
30		A162-000070	1	GUARD, TOP			

1. CYLINDER, CRANKCASE, PISTON



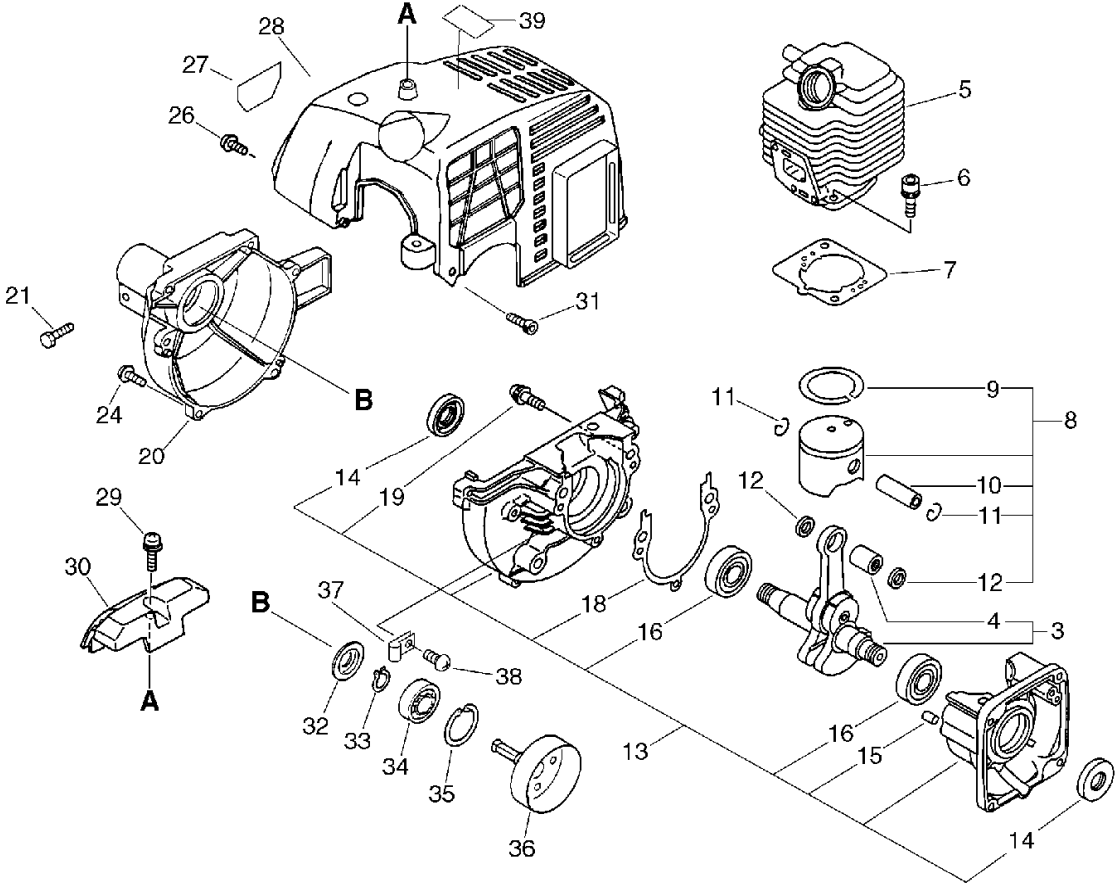
KEY	LV	PART NUMBER	Q'TY	DESCRIPTION	REMARKS	NOTE1	NOTE2
31		900163-04016	2	BOLT HSH			
32		175053-04920	1	STOPPER			
33		900701-00012	1	CIRCLIP 12	CS-12		
34		900814-06201	1	BEARING, BALL 6201	6201ZZ		
35		900702-00032	1	CIRCLIP 32	CR-32		
36		175005-42030	1	DRUM, CLUTCH			
37		132112-22031	1	CLIP, FUEL PIPE			
38		900238-05010	1	SCREW 5*10	5*10		
39		X505-002310	1	LABEL, CAUTION	HOT CAUTION		
3		A011-000101	1	CRANKSHAFT,ASM			
4	+	V553-000060	1	BEARING,NEEDLE 8	HK0810FMV4		
5		A130-000540	1	CYLINDER			
6		900162-05022	2	BOLT, H.S. 5*22	5*22 W,SW		
7		V100-000160	1	GASKET,CYL			
8		P021-007712	1	PISTON KIT			
9	+	A101-000090	1	RING,PISTON			
10	+	100013-11520	1	PIN, PISTON			
11	+	100015-04630	2	CIRCLIP, PISTON PIN			
12	+	100014-11520	2	SPACER, PISTON PIN			
13		100204-52132	1	CRANKCASE KIT			
13		100204-52133	1	CRANKCASE KIT			
14	+	100212-42031	2	OILSEAL	ISCD 12*22*4.5		
15	+	100215-03930	2	PIN, DOWEL			
16	+	94035-36201	2	BEARING BALL	6201X3JR2C3		
18	+	100242-42030	1	GASKET, CRANKCASE			

1. CYLINDER, CRANKCASE, PISTON



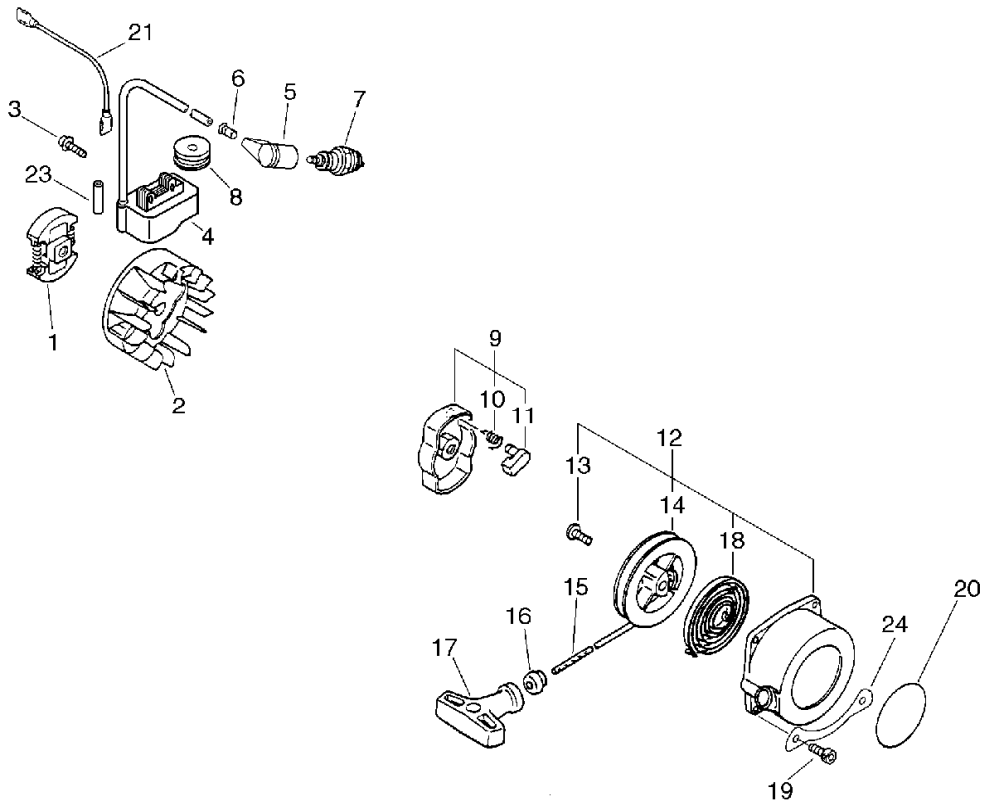
KEY	LV	PART NUMBER	Q'TY	DESCRIPTION	REMARKS	NOTE1	NOTE2
19	+	900162-05028	3	BOLT, H.S. 5*28	5*28 W,SW		
20		101511-44630	1	COVER, FAN (BS)			
21		900162-05025	1	BOLT, H.S. 5*25	5*25 W,SW		
24		900163-04016	4	BOLT HSH			
26		900238-04012	2	SCREW 4*12	4*12		
27		X547-000910	1	LABEL,ECHO			
28		A160-000590	1	COVER,CYLINDER			
29		900253-05016	1	SCREW	5*16		
30		A162-000070	1	GUARD, TOP			
31		900163-04016	2	BOLT HSH			
32		175053-04920	1	STOPPER			
33		900701-00012	1	CIRCLIP 12	CS-12		
34		900814-06201	1	BEARING, BALL 6201	6201ZZ		
35		900702-00032	1	CIRCLIP 32	CR-32		
36		175005-42030	1	DRUM, CLUTCH			
37		132112-22031	1	CLIP, FUEL PIPE			
38		900238-05010	1	SCREW 5*10	5*10		
39		X505-002310	1	LABEL, CAUTION	HOT CAUTION		

1. CYLINDER, CRANKCASE, PISTON



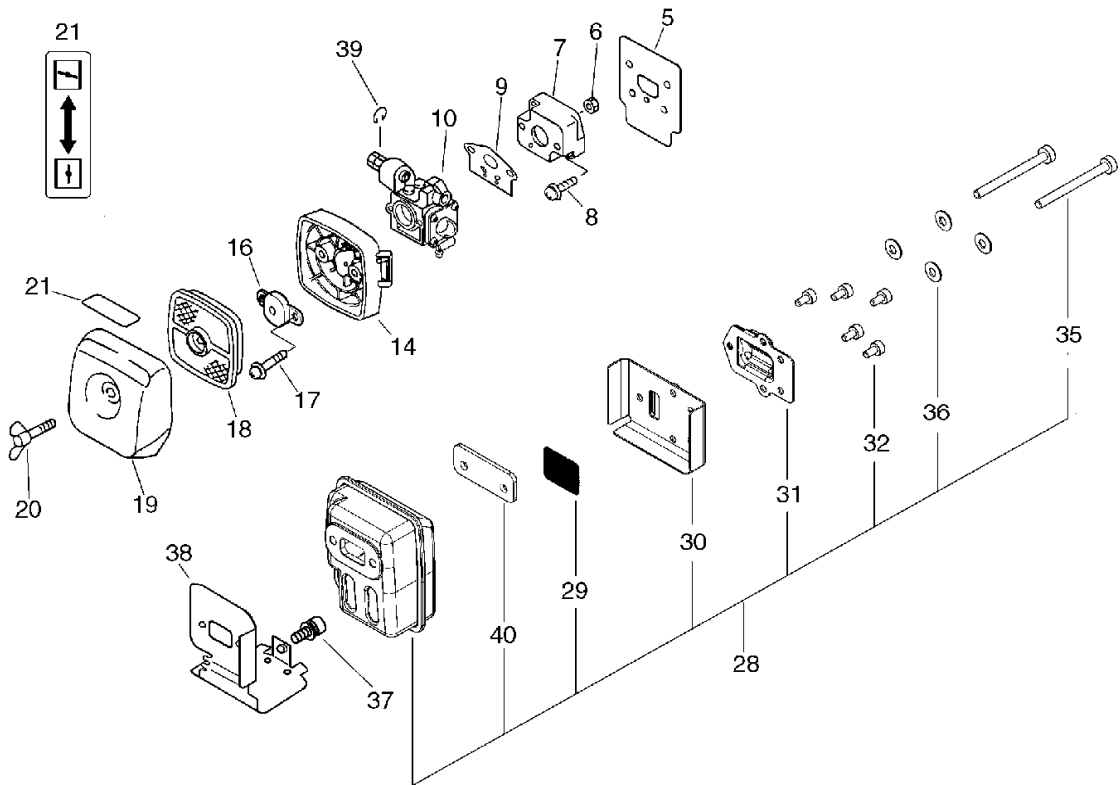
KEY	LV	PART NUMBER	Q'TY	DESCRIPTION	REMARKS	NOTE1	NOTE2
39		X505-002310	1	LABEL,CAUTION	HOT CAUTION		

2. STARTER, MAGNETO



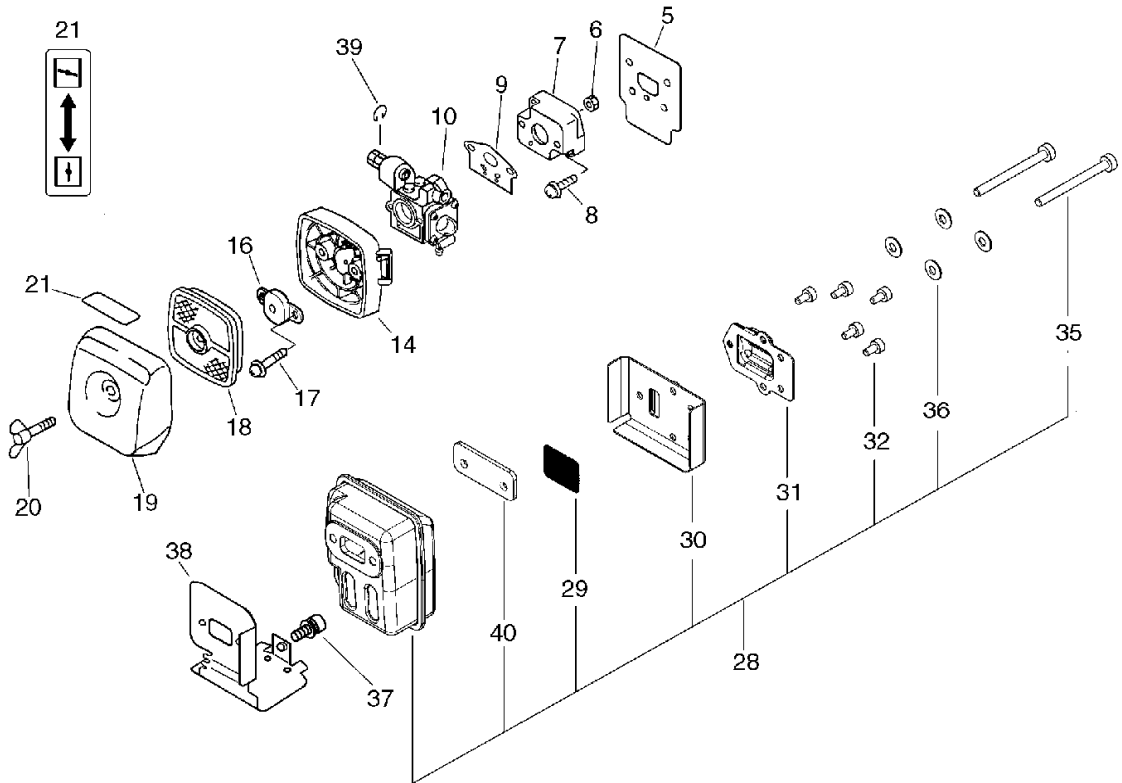
KEY	LV	PART NUMBER	Q'TY	DESCRIPTION	REMARKS	NOTE1	NOTE2
1		175000-56831	1	CLUTCH ASSEMBLY			
2		A409-000210	1	ROTOR,MAGNETO			
3		900162-04020	2	BOLT, H.S. 4*20	4*20 W,SW		
4		A411-000130	1	COIL,IGNITION			
5		159012-10230	1	CAP, SPARK PLUG			
6		159016-05330	1	ADAPTER, PLUG CAP			
7		A425-000000	1	SPARKPLUG	BPMR8Y		
8		150112-44330	1	BUSHING			
9		177202-44331	1	PAWL ASM., STARTER			
10	+	177234-12220	1	SPRING, PAWL			
11	+	177218-44330	1	PAWL, STARTER	BLACK		
12		177200-42033	1	STARTER ASSY			
13	+	177236-44330	1	SCREW			
14	+	177215-44430	1	DRUM, STARTER			
15	+	177226-10120	1	ROPE, STARTER	3.0*1000		
16	+	177227-42030	1	GUIDE, ROPE			
17	+	177228-06530	1	GRIP, STARTER			
18	+	177220-42030	1	SPRING, REWIND			
19		900162-04020	2	BOLT, H.S. 4*20	4*20 W,SW		
20		X502-000330	1	LABEL,ECHO	ECHO		
21		V485-000290	1	LEAD			
23		156110-54930	1	TUBE	7*8.6*18.5		
24		V150-001640	1	PLATE,EYE			

3. AIR CLEANER, MUFFLER



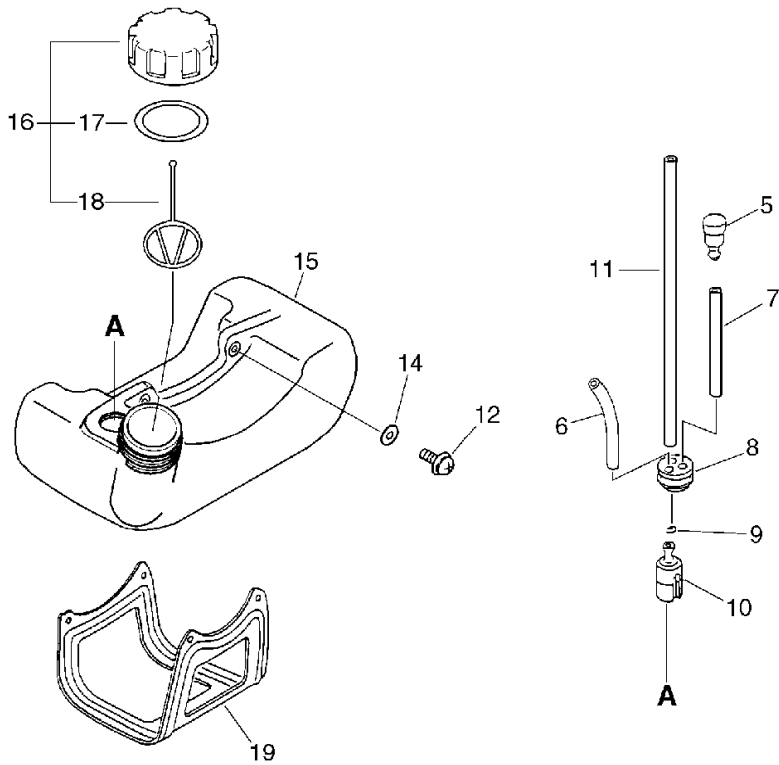
KEY	LV	PART NUMBER	Q'TY	DESCRIPTION	REMARKS	NOTE1	NOTE2
5		130010-42032	1	GASKET,INTAKE			
6		900500-00005	2	NUT 5	5		
7		130017-44331	1	INSULATOR			
8		900238-05022	2	SCREW 5*22	5*22		
9		130010-13410	1	GASKET, INTAKE			
10		A021-001460	1	CARBURETOR,DIAPHRAGM	RB-K87		
14		P021-004480	1	CASE, AIR CLEANER			
16		129011-52730	1	PLATE, PREVENT			
17		900220-05065	2	SCREW 5*65	5*65		
18		130310-54130	1	FILTER, AIR			
18		A226-001410	1	ELEMENT,AIR FILTER			
19		130313-05863	1	LID, AIR CLEANER			
20		210417-52730	1	BOLT, WING	5*20		
21		890332-52730	1	LABEL, CHOKE			
28		P021-015960	1	MUFFLER ASY		Sus. by P021-036010	
28		P021-036010	1	MUFFLER ASY		Sus. by P021-036020	
28		P021-036020	1	MUFFLER ASY		Sus. by P021-036021	
28		P021-036021	1	MUFFLER ASY			
29	+	145862-40630	1	SCREEN, MUFFLER			
30	+	V104-000360	1	GASKET,EXHAUST			
30	+	V104-001760	1	GASKET,EXHAUST		Can be used on the P021-036021	

3. AIR CLEANER, MUFFLER



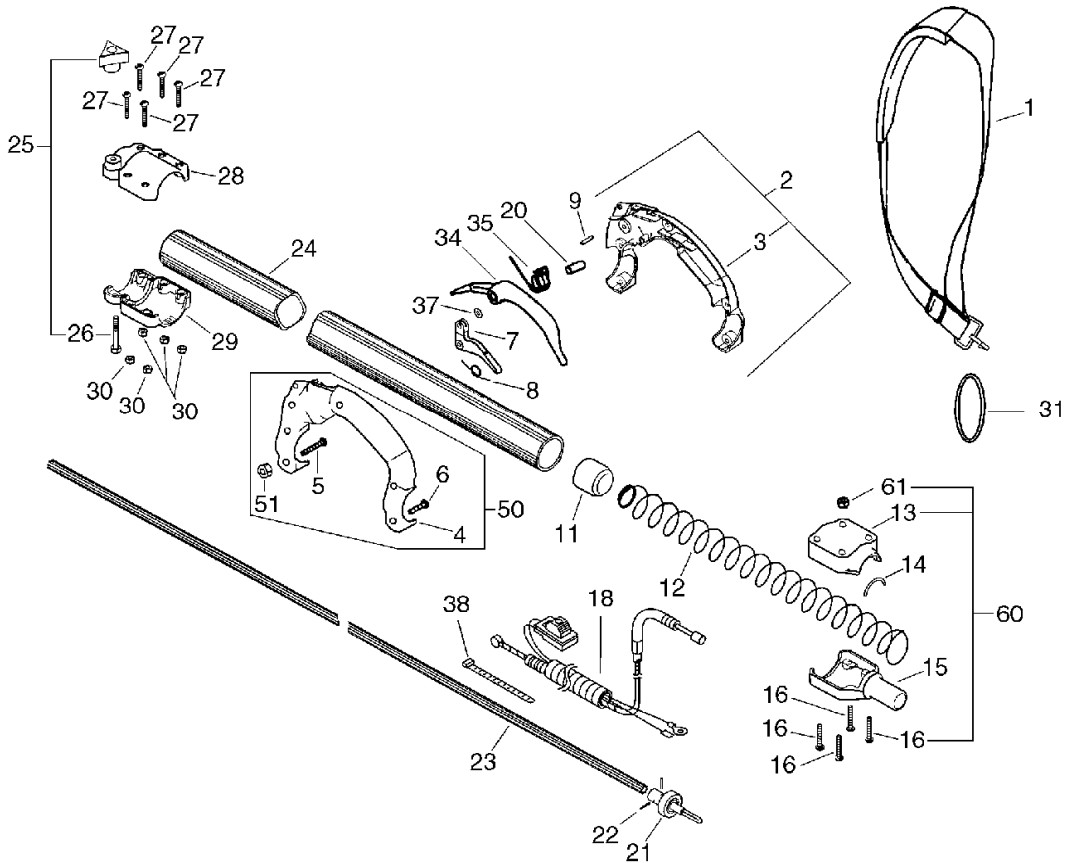
KEY	LV	PART NUMBER	Q'TY	DESCRIPTION	REMARKS	NOTE1	NOTE2
31	+	A313-000600	1	GUIDE,EXH			
32	+	91367-04010	5	SCREW	4*10/SW(SUS)		
35	+	900105-05055	2	BOLT, H.S. 5*55	5*55		
36	+	V347-000000	4	WASHER,CONICAL		Disuse	
40	+	V150-000371	1	PLATE,EYE			
37		91107-04008	1	BOLT HSH FLANGE	4*8		
38		V104-000510	1	GASKET,EXHAUST			
39		100015-00120	1	CIRCLIP, PISTON PIN			

4. FUEL TANK



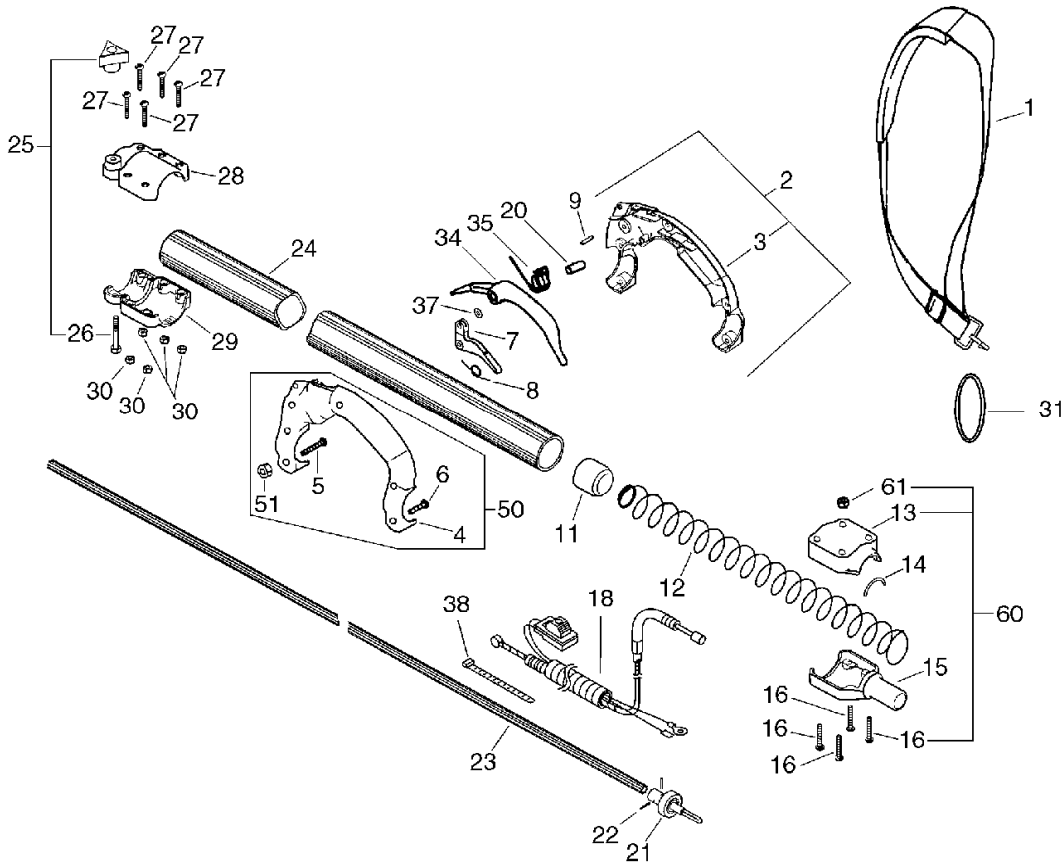
KEY	LV	PART NUMBER	Q'TY	DESCRIPTION	REMARKS	NOTE1	NOTE2
5		A356-000030	1	VALVE,CHECK			
6		132012-56030	1	PIPE	3*6*80 YL		
7		V471-001200	1	PIPE	3*5*70 NBR		
8		V137-000030	1	GROMMET,FUEL			
9		132013-09820	1	CLIP	6MM		
10		131205-07320	1	STRAINER, FUEL			
11		V471-001190	1	PIPE	3*5*180 NBR		
12		900238-05020	2	SCREW 5*20	5*20		
14		900603-00005	2	WASHER 5	5.5*12*0.8		
15		A350-000291	1	TANK,FUEL			
16		131004-55530	1	CAP ASSY, FUEL TANK			
17	+	131016-55830	1	GASKET, FUEL CAP			
18	+	131051-56030	1	CLIP, FUEL CAP	100L		
19		305110-42030	1	STAND (BL)			

5. HANDLE



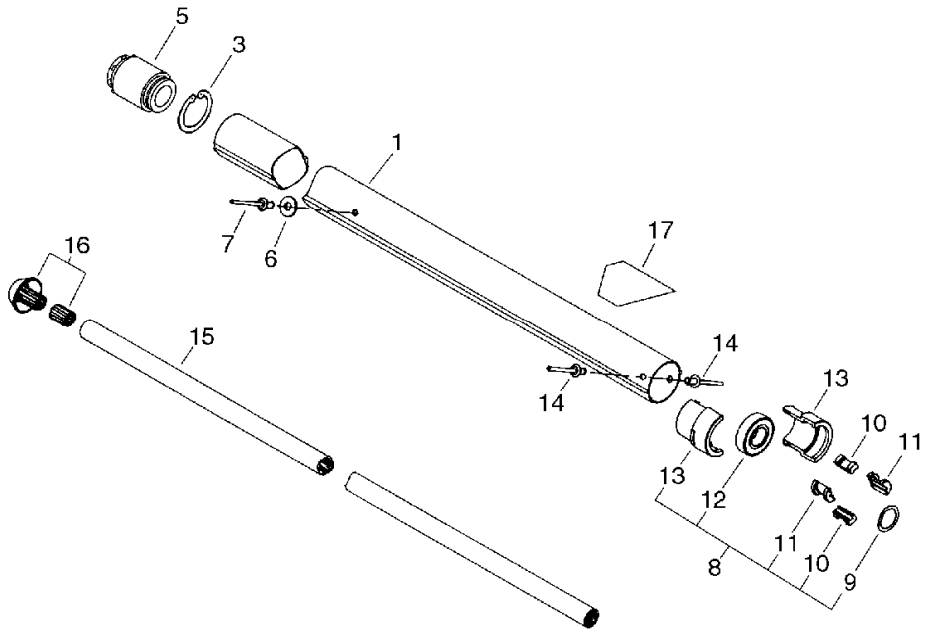
KEY	LV	PART NUMBER	Q'TY	DESCRIPTION	REMARKS	NOTE1	NOTE2
1		301000-22060	1	HARNES ASY,SHOULDER			
2		351100-22363	1	HANDLE SET, REAR			
3	+	351110-22562	1	HANDLE, REAR			
50	+	P021-003532	1	HANDLE ASY			
4	++	C410-000091	1	HANDLE,REAR	PP THROT LOCKOUT		
5	++	900053-00500	4	SCREW, PAN HEAD			
6	++	900053-00400	2	SCREW			
51	++	900031-50100	6	LOCKNUT			
7		178010-22560	1	TRIGGER, THROTTLE			
8		178043-22360	1	SPRING			
9		889960-22660	1	PIN, STRAIGHT			
11		433345-22660	1	GUIDE, SHAFT			
12		104940-22560	1	SPRING			
60		P021-003540	1	CAP, MAIN PIPE ASY			
13	+	C525-000000	1	CAP,MAIN PIPE			
16	+	900053-00500	4	SCREW, PAN HEAD			
61	+	900031-50100	4	LOCKNUT			
14		104910-22460	1	CUSHION			
15		C510-000120	1	COUPLING, MAIN PIPE			
18		V043-000210	1	CABLE ASY, CONTROL			
20		610850-22560	1	COLLAR			
21		610012-22361	1	CONNECTOR, SHAFT			
22		V645-000000	2	PIN,SPIRAL	.098" X .687"		
23		610011-22061	1	SHAFT, DRIVE			

5. HANDLE



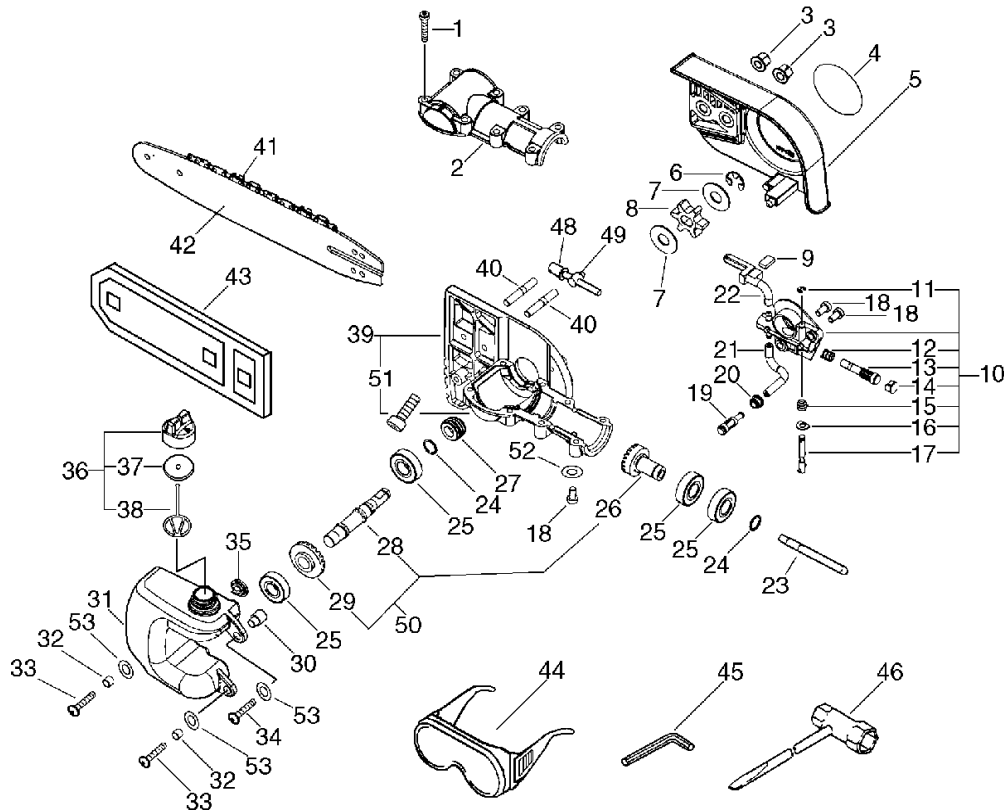
KEY	LV	PART NUMBER	Q'TY	DESCRIPTION	REMARKS	NOTE1	NOTE2
24		610222-22360	1	PIPE, MAIN			
25		130406-22360	1	THUMB			
26	+	V204-000090	1	BOLT,6			
27		900053-00400	5	SCREW			
28		610282-22460	1	COLLAR, MAIN PIPE			
29		610282-22360	1	COLLAR, MAIN PIPE			
30		900031-50100	5	LOCKNUT			
31		301016-52730	1	RING,HARNESS			
34		178090-22560	1	LOCKOUT, THR.CONTROL			
35		178043-22562	1	SPRING			
37		900603-00005	1	WASHER 5	5.5*12*0.8		
38		178121-43230	1	BAND	CV-150 BL		

6. MAIN PIPE



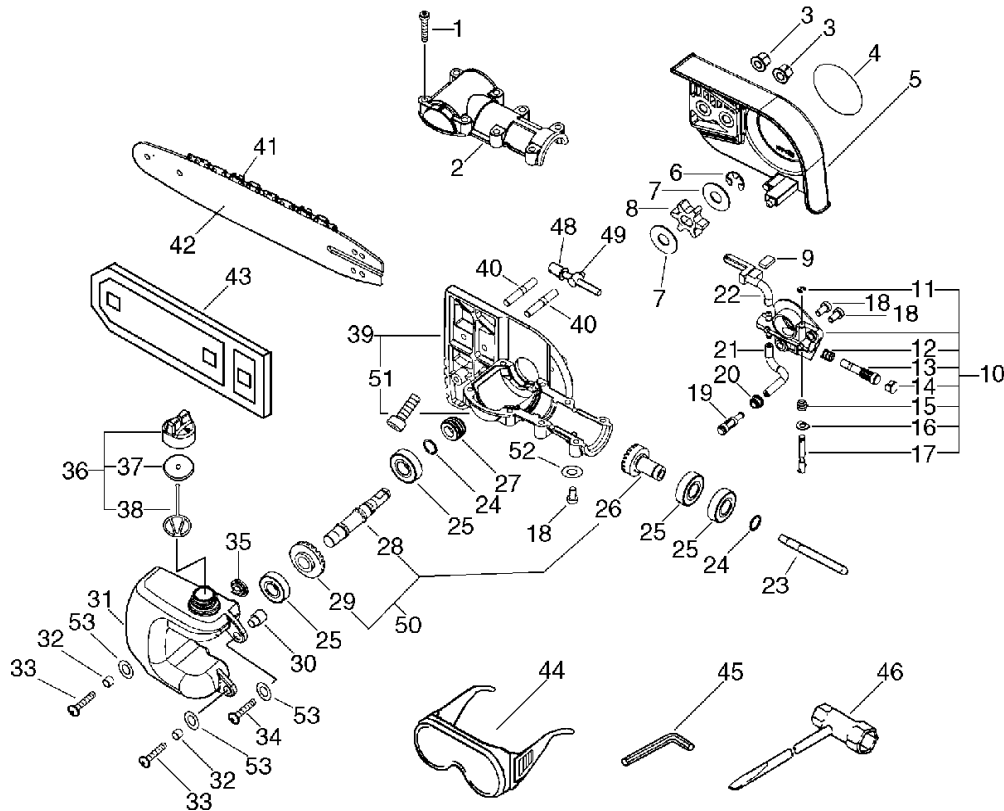
KEY	LV	PART NUMBER	Q'TY	DESCRIPTION	REMARKS	NOTE1	NOTE2
1		610210-22361	1	PIPE, MAIN			
3		610335-22460	1	RING			
5		C316-000010	1	GUIDE, SHAFT	OVERMOLD ASSY		
6		400111-22360	1	WASHER			
7		890011-22460	1	RIVET			
8		610105-22360	1	BEARING, SHAFT			
9	+	178129-22360	1	WASHER			
10	+	433345-22560	2	GUIDE, SHAFT			
11	+	433345-22460	2	GUIDE, SHAFT			
12	+	900802-06002	1	BEARING, BALL 6002	6002DDU(LLU)		
13	+	610111-22360	2	HOLDER, BEARING			
14		890011-22360	2	RIVET			
15		610011-22360	1	SHAFT, DRIVE			
16		610298-22360	1	SOCKET, SHAFT			
17		890160-22661	1	LABEL, CAUTION	PVC FILM		

7. GEAR CASE, GUIDE BAR, CHAIN



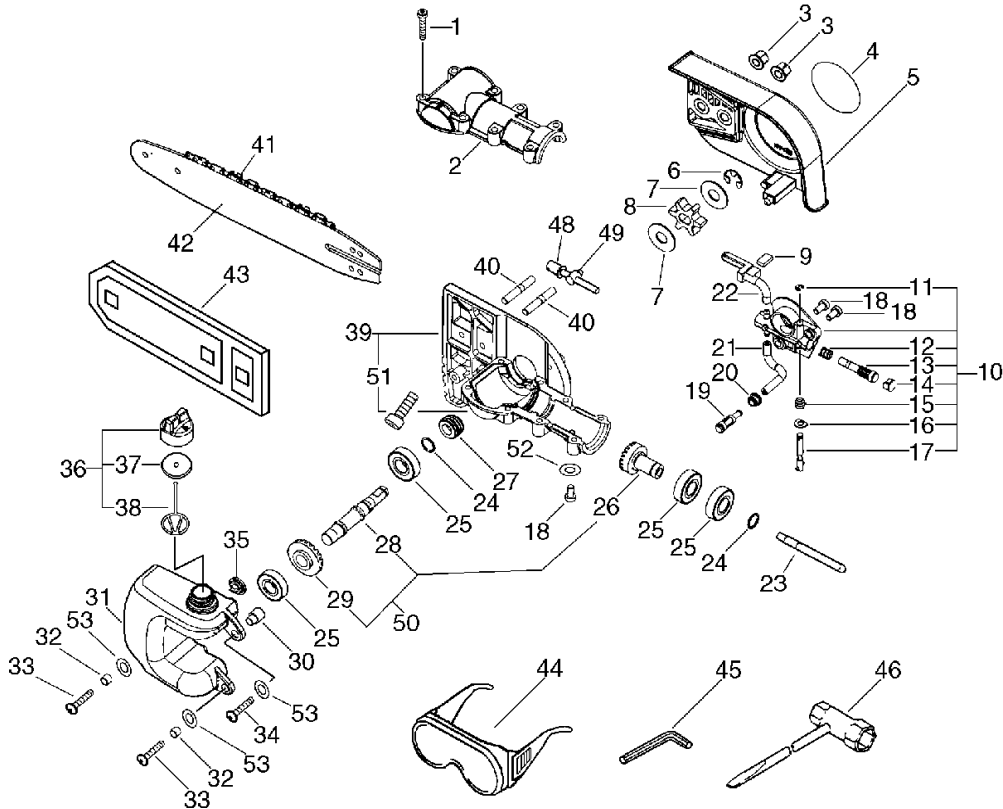
KEY	LV	PART NUMBER	Q'TY	DESCRIPTION	REMARKS	NOTE1	NOTE2
1		900109-05025	8	BOLT, H.S,H	5*25 SUS		
2		C531-000030	1	CASE,GEAR			
3		433019-03933	2	NUT, FLANGE 6	6		
4		X502-000330	1	LABEL,ECHO	ECHO		
5		C300-000001	1	GUARD,SPROCKET			
6		V583-000010	1	RING			
7		175014-39131	2	WASHER, CLUTCH	10.2*24.5*1.2		
8		C580-000070	1	SPROCKET,DRIVE			
9		437244-39130	1	PAD,FORM			
10		437002-39130	1	AUTO-OILER ASSY			
11	+	123127-15030	1	RING			
12	+	437019-38330	1	SPRING			
13	+	437024-37330	1	PLUNGER			
14	+	437062-37330	1	CAP, OIL PUMP			
15	+	437015-37330	1	SPRING			
16	+	437029-37330	1	WASHER			
17	+	437016-39130	1	NEEDLE, ADJUST			
18		900109-05010	2	BOLT, H.S,	5*10		
19		436205-02832	1	STRAINER, OIL			
20		132115-01461	1	GROMMET			
20		132115-01461	1	GROMMET			
21		130110-12330	1	PIPE, IMPULSE	3*6*70L		
22		V470-000180	1	PIPE			
23		610025-22361	1	CONNECTOR, SHAFT			
24		900706-00012	2	CIRCLIP 12	WR-12		

7. GEAR CASE, GUIDE BAR, CHAIN



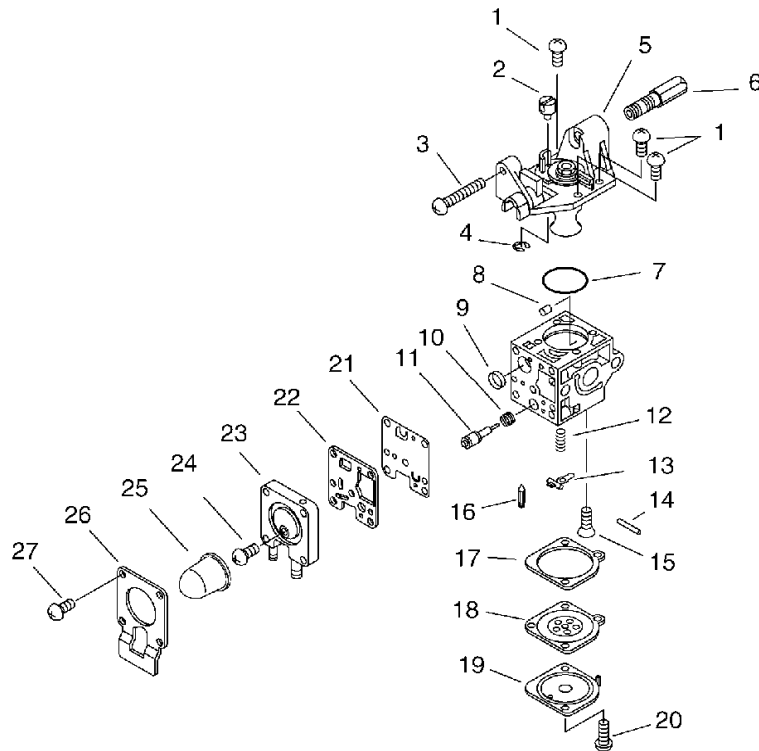
KEY	LV	PART NUMBER	Q'TY	DESCRIPTION	REMARKS	NOTE1	NOTE2
25		94052-06001	4	BEARING BALL	PEER LLU,DDU 2RS		
27		437063-38330	1	GEAR, WORM			
50		P021-011610	1	GEAR, SHAFT KIT			
26	+	V651-000210	1	GEAR,BEVEL	MG 0600.2259		
28	+	C534-000400	1	SHAFT, GEAR	84.50MM LENGTH		
29	+	V651-000201	1	GEAR,BEVEL	MG 0600.2259		
30		V354-000010	1	COLLAR,6			
31		C200-000000	1	TANK,OIL			
32		131045-28230	2	COLLAR			
33		91109-05016	2	BOLT	CB 5*16		
34		900109-05025	1	BOLT, H.S,H	5*25 SUS		
35		131314-06320	1	VALVE, CHECK			
36		P021-000951	1	CAP ASSY, OIL			
37	+	436012-37830	1	GASKET, CIRCULAR			
38	+	A365-000050	1	CONNECTOR,CAP			
39		C051-000120	1	CASE,GEAR	PPT GC ASSEMBLY		
51	+	900109-05010	3	BOLT, H.S,	5*10		
40		V224-000000	2	BOLT,STUD 6			
41		X221-000040	1	CHAIN,SAW 90SG-39CQ	90SG-39CQ ECHO		
42		X101-000110	1	BAR,GUIDE 25	90 SERIES		
43		X490-000060	1	SCABBARD,CHAIN			

7. GEAR CASE, GUIDE BAR, CHAIN



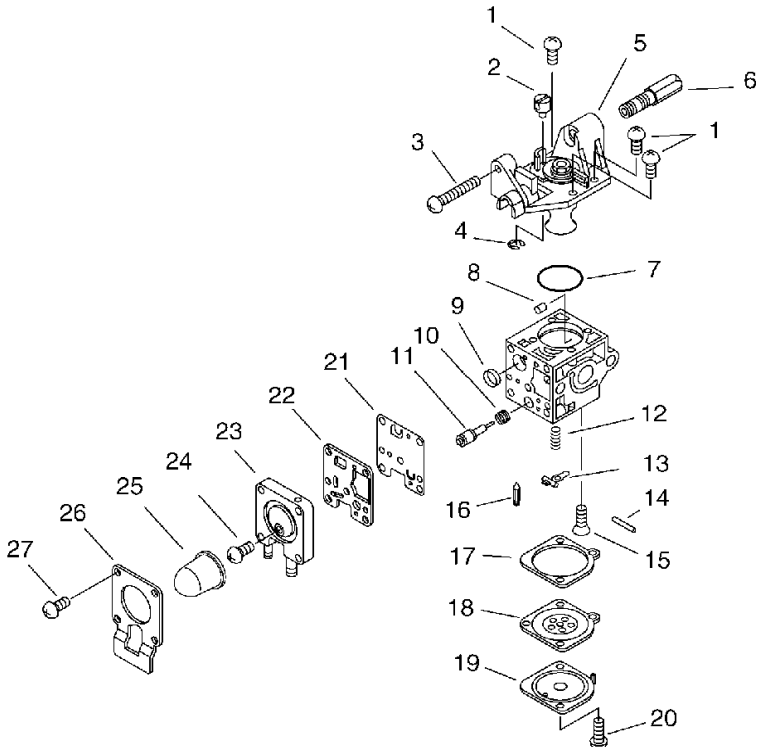
KEY	LV	PART NUMBER	Q'TY	DESCRIPTION	REMARKS	NOTE1	NOTE2
44		X690-000050	1	GOGGLE	GOGGLE + NOTE		
45		895610-00130	1	L-WRENCH (4MM)			
46		895410-39131	1	WRENCH, W/S-DRIVER			
48		433016-39131	1	BOLT			
49		433014-03931	1	TENSIONER			
52		900600-00005	1	WASHER 5	5		
18		900109-05010	1	BOLT, H.S.	5*10		
53		900603-00005	3	WASHER 5	5.5*12*0.8		

8. CARBURETOR

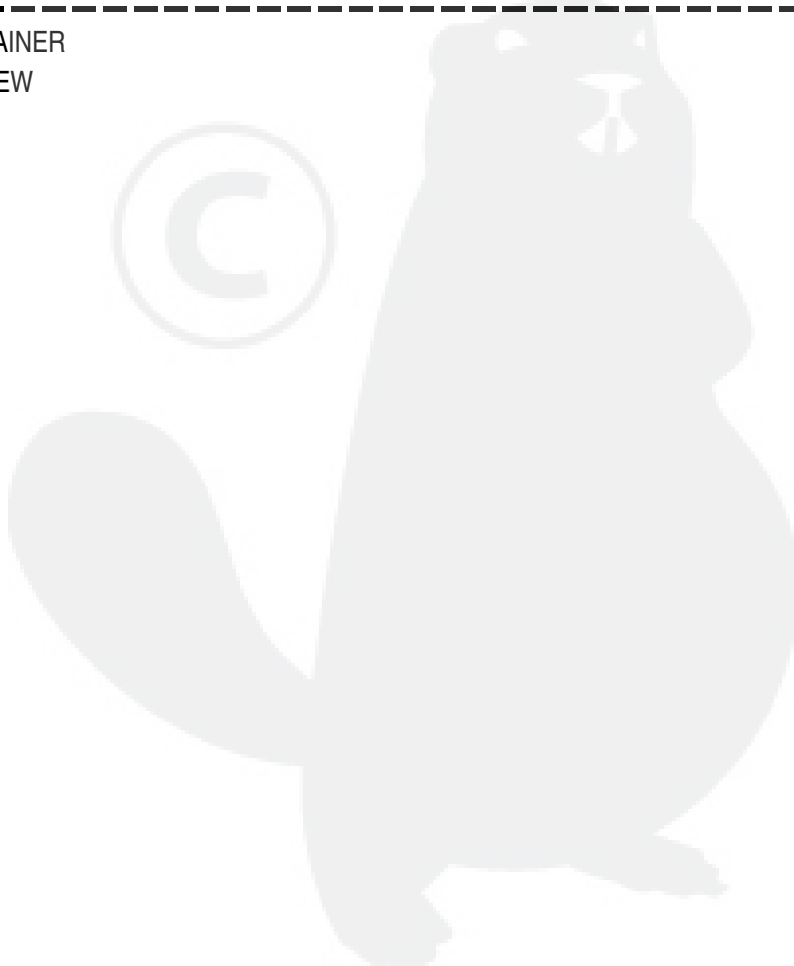


KEY	LV	PART NUMBER	Q'TY	DESCRIPTION	REMARKS	NOTE1	NOTE2
		A021-001460	1	CARBURETOR,DIAPHRAGM	RB-K87		
1	+	125344-13931	3	SCREW			
2	+	P005-001240	1	POST			
3	+	P005-000100	1	SCREW,THROTTLADJUST			
4	+	P005-000190	1	E-RING			
5	+	P005-001320	1	COVER ASY, ROTOR			
6	+	P005-002010	1	SCREW, WIRW ADJUST			
7	+	P005-000280	1	O-RING			
8	+	P005-001000	1	ROLLER, GUIDE			
9	+	P005-000010	1	STRAINER			
10	+	P005-001260	1	SCREW,MAINN MIXTURE			
11	+	P005-001250	1	RETAINER,PLUG BALL			
12	+	P005-000940	1	SPRING, METER. LEVER			
13	+	125323-08260	1	ARM, VALVE			
14	+	125338-13930	1	PIN, METERING ARM			
15	+	125339-42030	1	SCREW			
16	+	125337-08260	1	VALVE, INLET NEEDLE			
17	+	P005-000200	1	GASKET, METERING			
18	+	P005-001780	1	DIAPHRAGM			
19	+	125342-52130	1	COVER, DIAPHRAGM			
20	+	125344-52130	2	SCREW			
21	+	P005-000510	1	DIAPHRAGM, PUMP			
22	+	P005-000520	1	GASKET, PUMP			
23	+	P005-001890	1	BASE, ASY PRIMER			
24	+	P005-000270	1	SCREW			
25	+	125381-46730	1	PUMP, PRIMING			

8. CARBURETOR



KEY	LV	PART NUMBER	Q'TY	DESCRIPTION	REMARKS	NOTE1	NOTE2
26	+	P005-000250	1	RETAINER			
27	+	P005-001900	4	SCREW			



9. DIAPHRAGM/GASKET KIT

KEY	LV	PART NUMBER	Q'TY	DESCRIPTION	REMARKS	NOTE1	NOTE2
		P005-001660	1	DIAPHRAGM/GASKET KIT			
1	+	P005-001780	1	DIAPHRAGM			
2	+	P005-000200	1	GASKET, METERING			
3	+	P005-000510	1	DIAPHRAGM, PUMP			
4	+	P005-000520	1	GASKET, PUMP			

Index

Patrs Number	Key No.	Patrs Number	Key No.	Patrs Number	Key No.
100013-11520	1 - 10	132115-01461	7 - 20	437062-37330	7 - 14
100013-11520	1 - 10	145862-40630	3 - 29	437063-38330	7 - 27
100014-11520	1 - 12	150112-44330	2 - 8	437244-39130	7 - 9
100014-11520	1 - 12	156110-54930	2 - 23	610011-22061	5 - 23
100015-00120	3 - 39	159012-10230	2 - 5	610011-22360	6 - 15
100015-04630	1 - 11	159016-05330	2 - 6	610012-22361	5 - 21
100015-04630	1 - 11	175000-56831	2 - 1	610025-22361	7 - 23
100204-52132	1 - 13	175005-42030	1 - 36	610105-22360	6 - 8
100204-52132	1 - 13	175005-42030	1 - 36	610111-22360	6 - 13
100204-52133	1 - 13	175014-39131	7 - 7	610210-22361	6 - 1
100204-52133	1 - 13	175053-04920	1 - 32	610222-22360	5 - 24
100212-42031	1 - 14	175053-04920	1 - 32	610282-22360	5 - 29
100212-42031	1 - 14	177200-42033	2 - 12	610282-22460	5 - 28
100215-03930	1 - 15	177202-44331	2 - 9	610298-22360	6 - 16
100215-03930	1 - 15	177215-44430	2 - 14	610335-22460	6 - 3
100242-42030	1 - 18	177218-44330	2 - 11	610850-22560	5 - 20
100242-42030	1 - 18	177220-42030	2 - 18	889960-22660	5 - 9
101511-44630	1 - 20	177226-10120	2 - 15	890011-22360	6 - 14
101511-44630	1 - 20	177227-42030	2 - 16	890011-22460	6 - 7
104910-22460	5 - 14	177228-06530	2 - 17	890160-22661	6 - 17
104940-22560	5 - 12	177234-12220	2 - 10	890332-52730	3 - 21
123127-15030	7 - 11	177236-44330	2 - 13	895410-39131	7 - 46
125323-08260	8 - 13	178010-22560	5 - 7	895610-00130	7 - 45
125337-08260	8 - 16	178043-22360	5 - 8	900031-50100	5 - 51
125338-13930	8 - 14	178043-22562	5 - 35	900031-50100	5 - 61
125339-42030	8 - 15	178090-22560	5 - 34	900031-50100	5 - 30
125342-52130	8 - 19	178121-43230	5 - 38	900053-00400	5 - 6
125344-13931	8 - 1	178129-22360	6 - 9	900053-00400	5 - 27
125344-52130	8 - 20	210417-52730	3 - 20	900053-00500	5 - 5
125381-46730	8 - 25	301000-22060	5 - 1	900053-00500	5 - 16
129011-52730	3 - 16	301016-52730	5 - 31	900105-05055	3 - 35
130010-13410	3 - 9	305110-42030	4 - 19	900109-05010	7 - 18
130010-42032	3 - 5	351100-22363	5 - 2	900109-05010	7 - 51
130017-44331	3 - 7	351110-22562	5 - 3	900109-05010	7 - 18
130110-12330	7 - 21	400111-22360	6 - 6	900109-05025	7 - 1
130310-54130	3 - 18	433014-03931	7 - 49	900109-05025	7 - 34
130313-05863	3 - 19	433016-39131	7 - 48	900162-04020	2 - 3
130406-22360	5 - 25	433019-03933	7 - 3	900162-04020	2 - 19
131004-55530	4 - 16	433345-22460	6 - 11	900162-05022	1 - 6
131016-55830	4 - 17	433345-22560	6 - 10	900162-05022	1 - 6
131045-28230	7 - 32	433345-22660	5 - 11	900162-05025	1 - 21
131051-56030	4 - 18	436012-37830	7 - 37	900162-05025	1 - 21
131205-07320	4 - 10	436205-02832	7 - 19	900162-05028	1 - 19
131314-06320	7 - 35	437002-39130	7 - 10	900162-05028	1 - 19
132012-56030	4 - 6	437015-37330	7 - 15	900163-04016	1 - 24
132013-09820	4 - 9	437016-39130	7 - 17	900163-04016	1 - 31
132112-22031	1 - 37	437019-38330	7 - 12	900163-04016	1 - 24
132112-22031	1 - 37	437024-37330	7 - 13	900163-04016	1 - 31
132115-01461	7 - 20	437029-37330	7 - 16	900220-05065	3 - 17

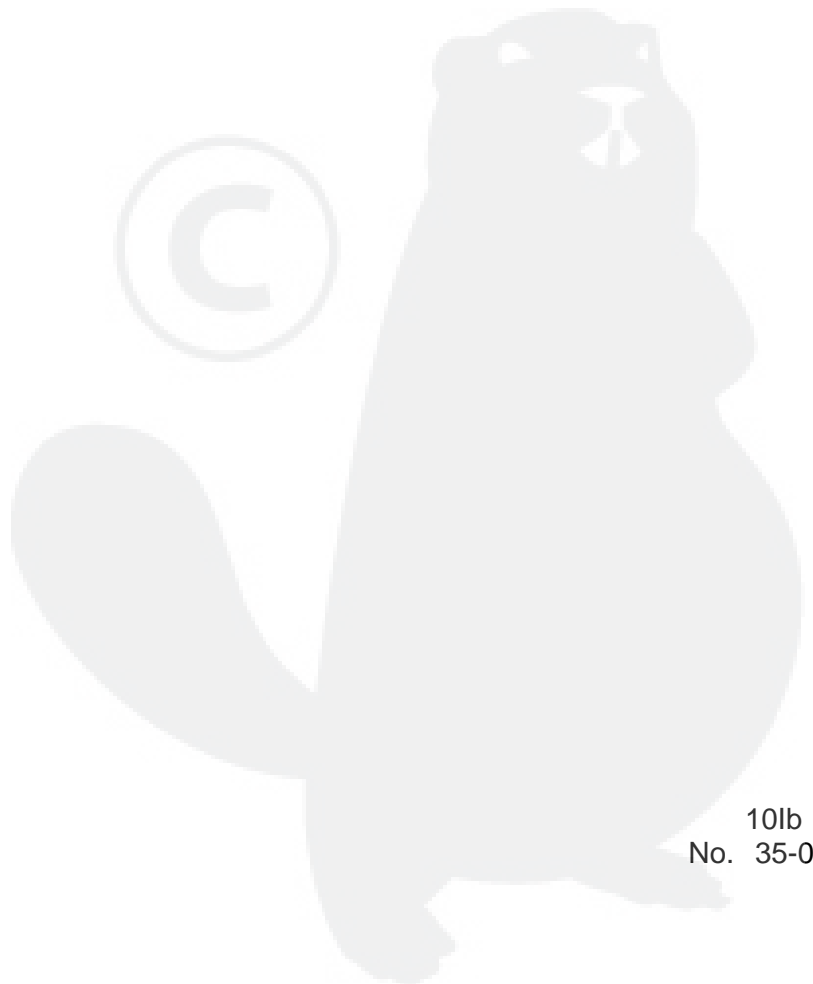
Index

Patrs Number	Key No.	Patrs Number	Key No.	Patrs Number	Key No.
900238-04012	1 - 26	C300-000001	7 - 5	V137-000030	4 - 8
900238-04012	1 - 26	C316-000010	6 - 5	V150-000371	3 - 40
900238-05010	1 - 38	C410-000091	5 - 4	V150-001640	2 - 24
900238-05010	1 - 38	C510-000120	5 - 15	V204-000090	5 - 26
900238-05020	4 - 12	C525-000000	5 - 13	V224-000000	7 - 40
900238-05022	3 - 8	C531-000030	7 - 2	V347-000000	3 - 36
900253-05016	1 - 29	C534-000400	7 - 28	V354-000010	7 - 30
900253-05016	1 - 29	C580-000070	7 - 8	V470-000180	7 - 22
900500-00005	3 - 6	P005-000010	8 - 9	V471-001190	4 - 11
900600-00005	7 - 52	P005-000100	8 - 3	V471-001200	4 - 7
900603-00005	4 - 14	P005-000190	8 - 4	V485-000290	2 - 21
900603-00005	5 - 37	P005-000200	8 - 17	V553-000060	1 - 4
900603-00005	7 - 53	P005-000200	9 - 2	V553-000060	1 - 4
900701-00012	1 - 33	P005-000250	8 - 26	V583-000010	7 - 6
900701-00012	1 - 33	P005-000270	8 - 24	V645-000000	5 - 22
900702-00032	1 - 35	P005-000280	8 - 7	V651-000201	7 - 29
900702-00032	1 - 35	P005-000510	8 - 21	V651-000210	7 - 26
900706-00012	7 - 24	P005-000510	9 - 3	X101-000110	7 - 42
900802-06002	6 - 12	P005-000520	8 - 22	X221-000040	7 - 41
900814-06201	1 - 34	P005-000520	9 - 4	X490-000060	7 - 43
900814-06201	1 - 34	P005-000940	8 - 12	X502-000330	2 - 20
91107-04008	3 - 37	P005-001000	8 - 8	X502-000330	7 - 4
91109-05016	7 - 33	P005-001240	8 - 2	X505-002310	1 - 39
91367-04010	3 - 32	P005-001250	8 - 11	X505-002310	1 - 39
94035-36201	1 - 16	P005-001260	8 - 10	X547-000910	1 - 27
94035-36201	1 - 16	P005-001320	8 - 5	X547-000910	1 - 27
94052-06001	7 - 25	P005-001660	9 -	X690-000050	7 - 44
A011-000101	1 - 3	P005-001780	8 - 18		
A011-000101	1 - 3	P005-001780	9 - 1		
A021-001460	3 - 10	P005-001890	8 - 23		
A021-001460	8 -	P005-001900	8 - 27		
A101-000090	1 - 9	P005-002010	8 - 6		
A101-000090	1 - 9	P021-000951	7 - 36		
A130-000540	1 - 5	P021-003532	5 - 50		
A130-000540	1 - 5	P021-003540	5 - 60		
A160-000590	1 - 28	P021-004480	3 - 14		
A160-000590	1 - 28	P021-007712	1 - 8		
A162-000070	1 - 30	P021-007712	1 - 8		
A162-000070	1 - 30	P021-011610	7 - 50		
A226-001410	3 - 18	P021-015960	3 - 28		
A313-000600	3 - 31	P021-036010	3 - 28		
A350-000291	4 - 15	P021-036020	3 - 28		
A356-000030	4 - 5	P021-036021	3 - 28		
A365-000050	7 - 38	V043-000210	5 - 18		
A409-000210	2 - 2	V100-000160	1 - 7		
A411-000130	2 - 4	V100-000160	1 - 7		
A425-000000	2 - 7	V104-000360	3 - 30		
C051-000120	7 - 39	V104-000510	3 - 38		
C200-000000	7 - 31	V104-001760	3 - 30		

YAMABIKO CORPORATION

7-2 SUEHIROCHO 1-CHOME, OHME, TOKYO 198-8760, JAPAN
PHONE: 81-428-32-6118. FAX: 81-428-32-6145.

ECHO®



10lb
No. 35-057