



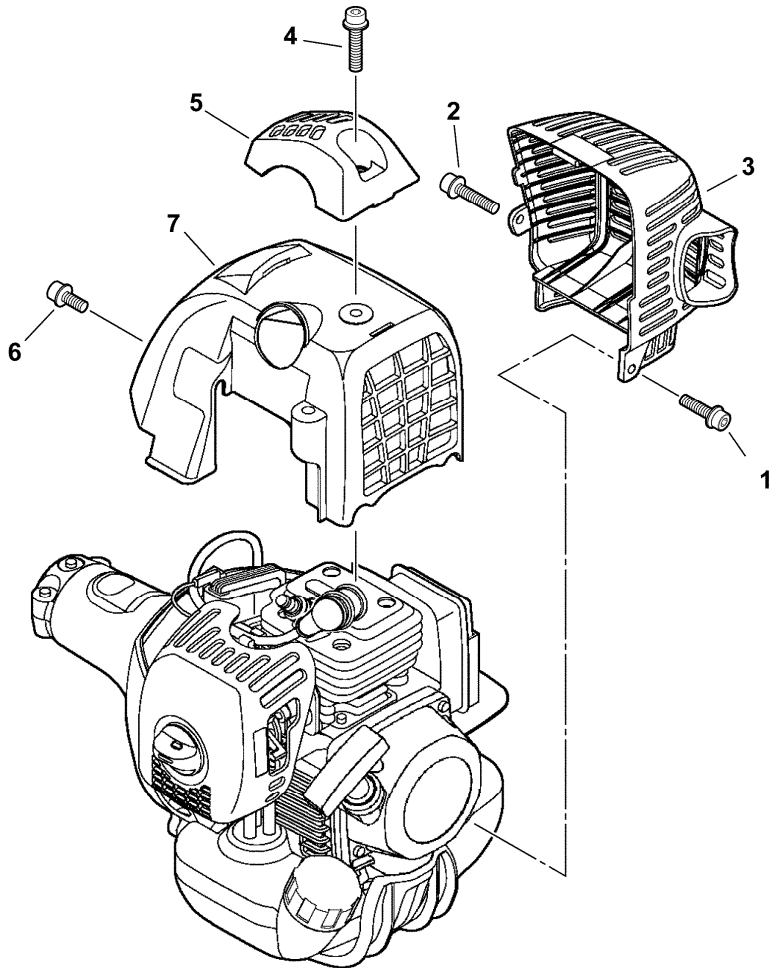
PARTS CATALOG

POWER PRUNER PPF-300ES(37)

37000001 -

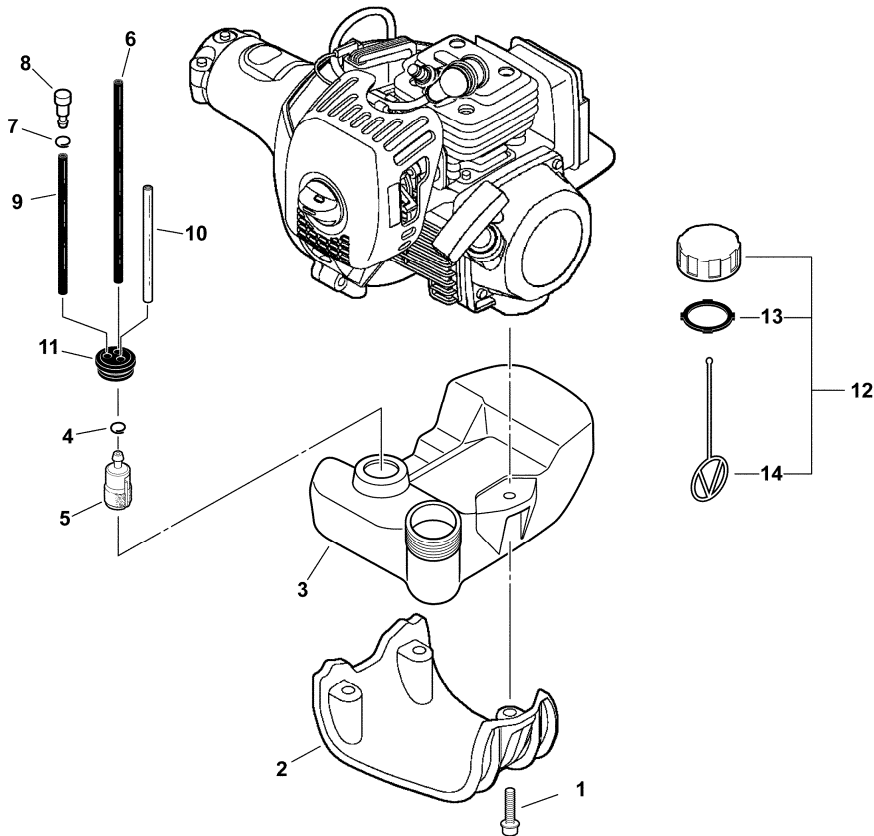
P014-001390-11Gb

1. CYLINDER COVER



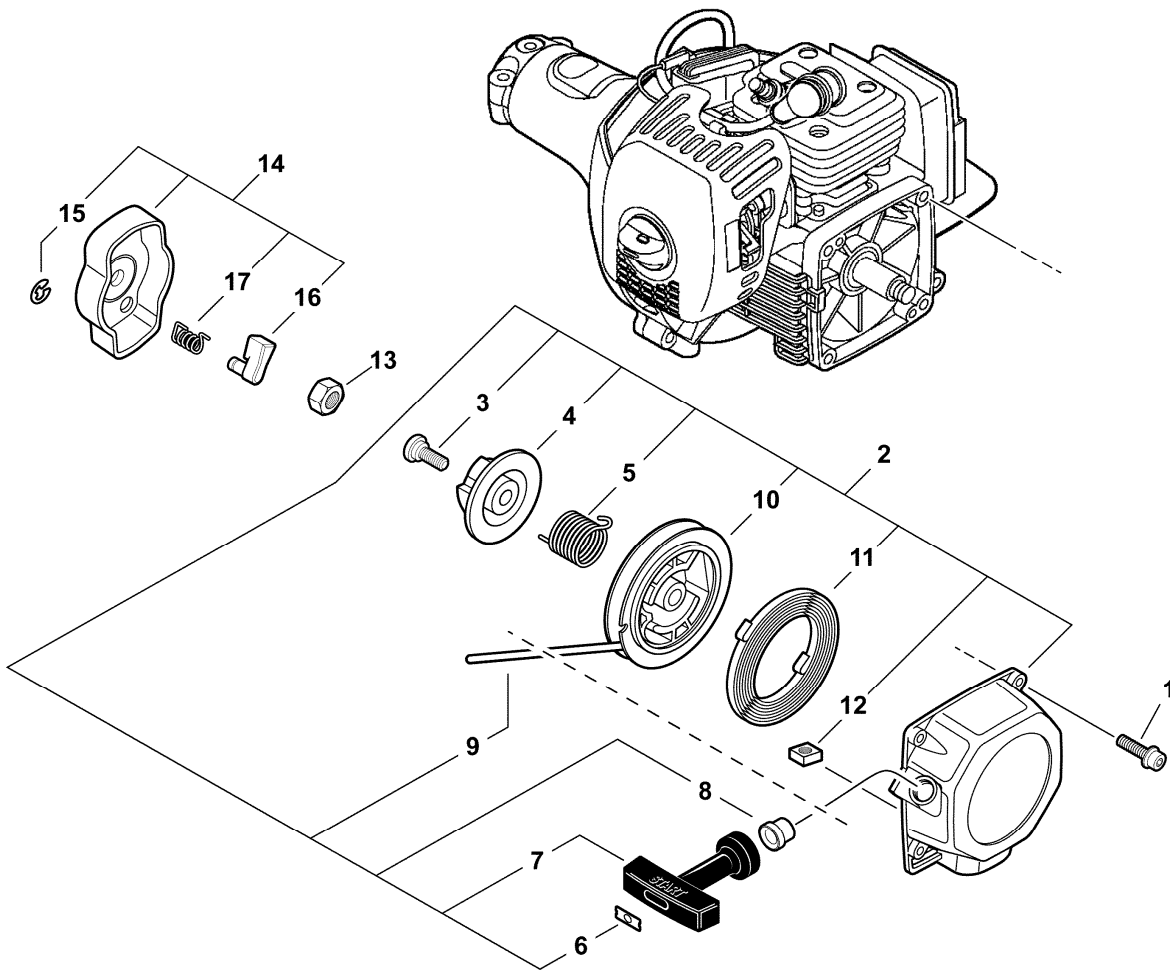
KEY	LV	PART NUMBER	Q'TY	DESCRIPTION	REMARKS	NOTE1	NOTE2
1		V203-000260	1	BOLT,5	FCB5*16		
2		900106-05020	1	BOLT, H.S. 5*20	5*20		
3		A320-000400	1	COVER,MUFFLER			
4		V203-000270	1	BOLT,5	FCB5*20		
5		A162-000110	1	GUARD, TOP			
6		900106-05010	1	BOLT, H.S. 5*10			
7		A160-000800	1	COVER,CYLINDER			

2. FUEL TANK



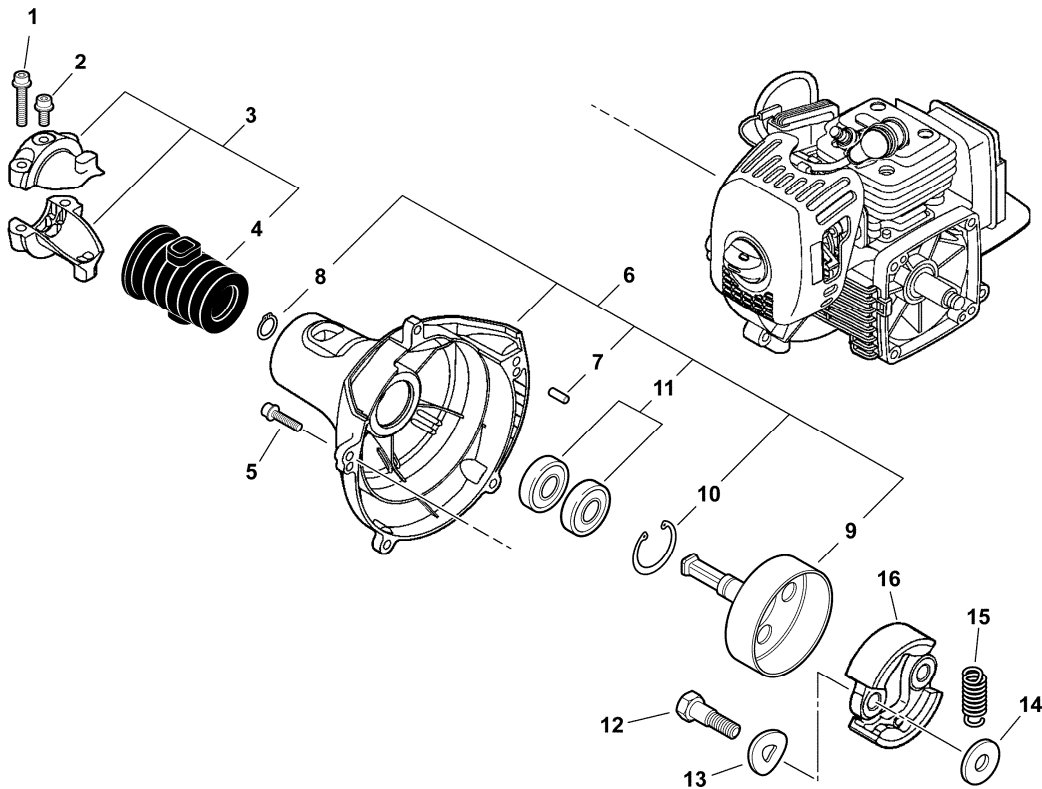
KEY	LV	PART NUMBER	Q'TY	DESCRIPTION	REMARKS	NOTE1	NOTE2
1		900106-05020	3	BOLT, H.S. 5*20	5*20		
2		A175-000040	1	STAND			
3		A350-000900	1	TANK,FUEL			
4		132013-09820	1	CLIP	6MM		
5		A369-000000	1	STRAINER, FUEL	125-528		
6		V470-000580	1	PIPE	3*5*195		
7		132013-26630	1	CLIP	6.5MM		
8		A356-000030	1	VALVE,CHECK			
9		V471-000110	1	PIPE	3*6*115		
10		132012-56030	1	PIPE	3*6*80 YL		
11		132115-55930	1	GROMMET, FUEL			
12		131004-55530	1	CAP ASSY, FUEL TANK			
13	+	131016-55830	1	GASKET, FUEL CAP			
14	+	131051-56030	1	CLIP, FUEL CAP	100L		

3. RECOIL STARTER



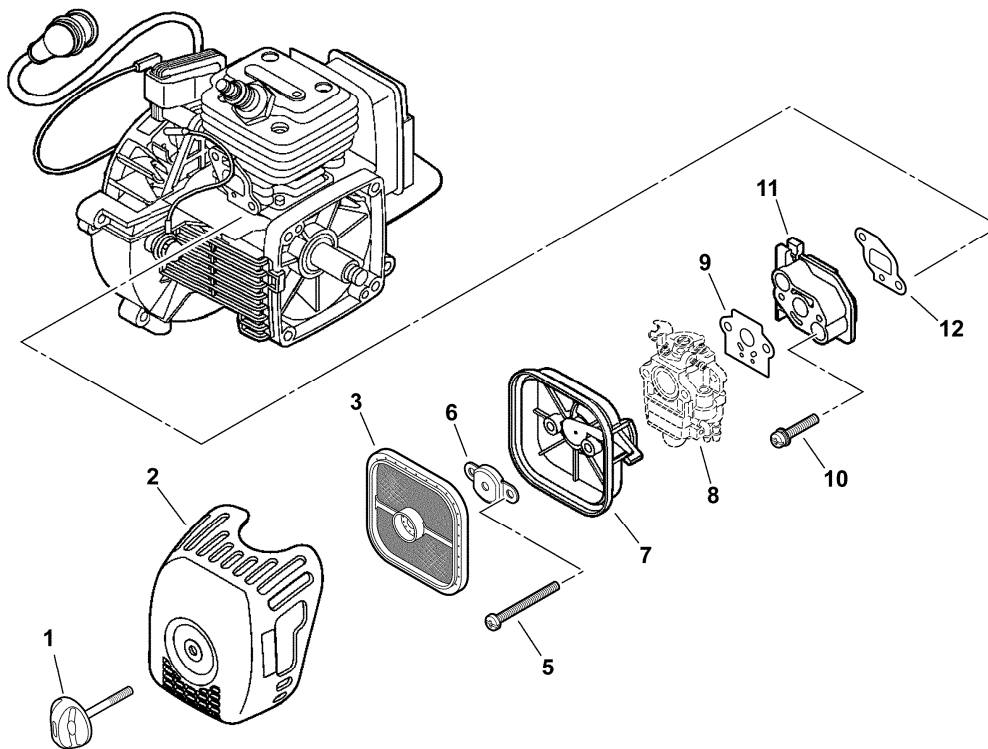
KEY	LV	PART NUMBER	Q'TY	DESCRIPTION	REMARKS	NOTE1	NOTE2
1		V203-000260	4	BOLT,5	FCB5*16		
2		A051-001211	1	STARTER,RECOIL ASY			
3	+	177236-61830	1	SCREW			
4	+	P022-008280	1	PLATE, CAM			
5	+	P022-008270	1	SPRING,DAMPER			
6	+	177246-11120	1	CLIP, STARTER ROPE			
7	+	177228-27030	1	GRIP, STARTER			
8	+	177227-42030	1	GUIDE, ROPE			
9	+	P022-022110	1	ROPE, STARTER			
10	+	A506-000080	1	REEL,ROPE			
11	+	177220-40630	1	SPRING, REWIND			
12	+	900565-00005	1	NUT	5		
13		900502-00008	1	NUT 8 (3N)	3N8		
14		A052-000180	1	PULLEY,ASM STARTER			
15	+	P022-002100	2	E-RING	4		
16	+	P022-006850	2	PAWL, STARTER			
17	+	177234-12220	2	SPRING, PAWL			

4. FAN COVER



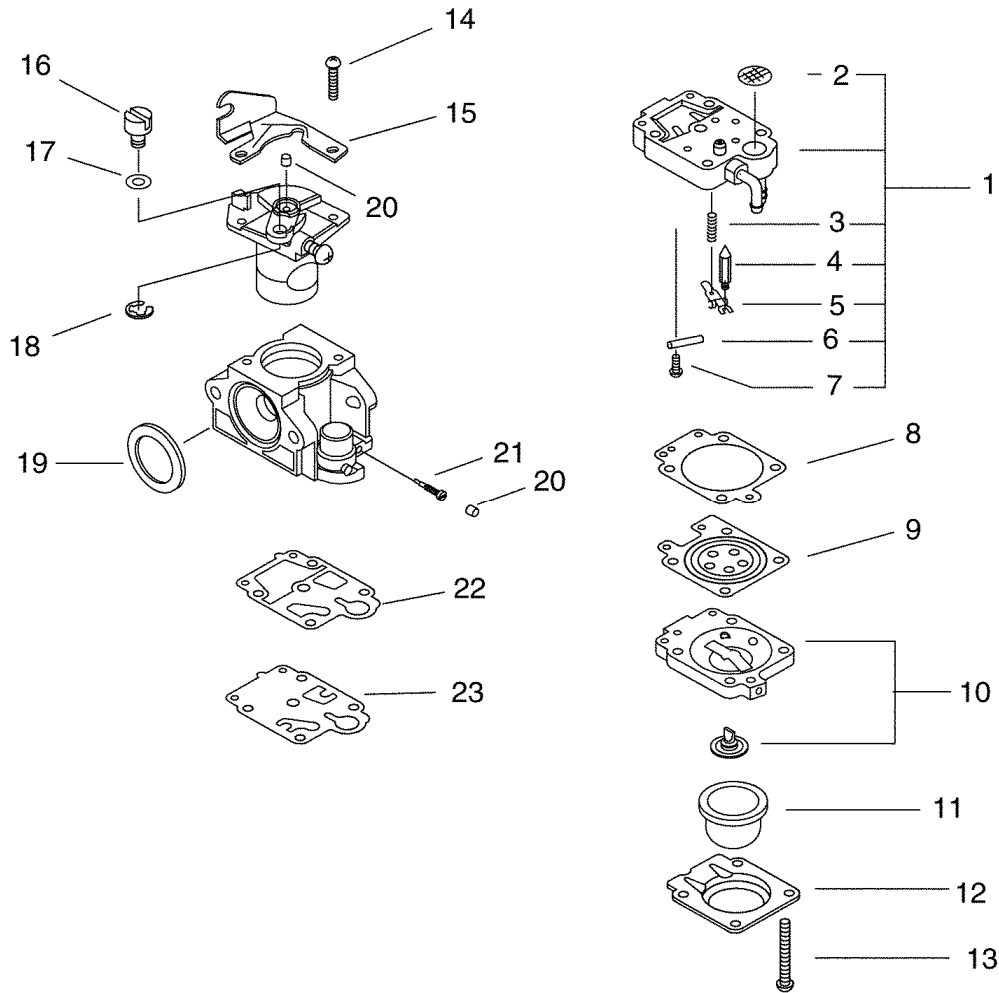
KEY	LV	PART NUMBER	Q'TY	DESCRIPTION	REMARKS	NOTE1	NOTE2
1		900106-05025	2	BOLT, H.S. 5*25	5*25		
2		900106-05010	1	BOLT, H.S. 5*10			
3		P021-013900	1	FIXTURE, MAIN PIPE			
4	+	V420-001400	1	CUSHION			
5		900106-05020	4	BOLT, H.S. 5*20	5*20		
6		P021-013810	1	COVER ASY, FAN			
7	+	100215-03930	2	PIN, DOWEL			
8	+	900701-00012	1	CIRCLIP 12	CS-12		
9	+	A556-000420	1	DRUM, CLUTCH			
10	+	900702-00028	1	CIRCLIP 28	CR-28		
11	+	900807-06001	2	BEARING, BALL 6001	6001V(LB)		
12		175046-56030	2	SHAFT, CLUTCH			
13		175049-56030	2	WASHER	8.5*16*0.5		
14		175048-05530	2	WASHER (I)	6.2*19*1.0		
15		A566-000020	1	SPRING, CLUTCH			
16		A553-000050	2	ARM, CLUTCH			

5. AIR CLEANER



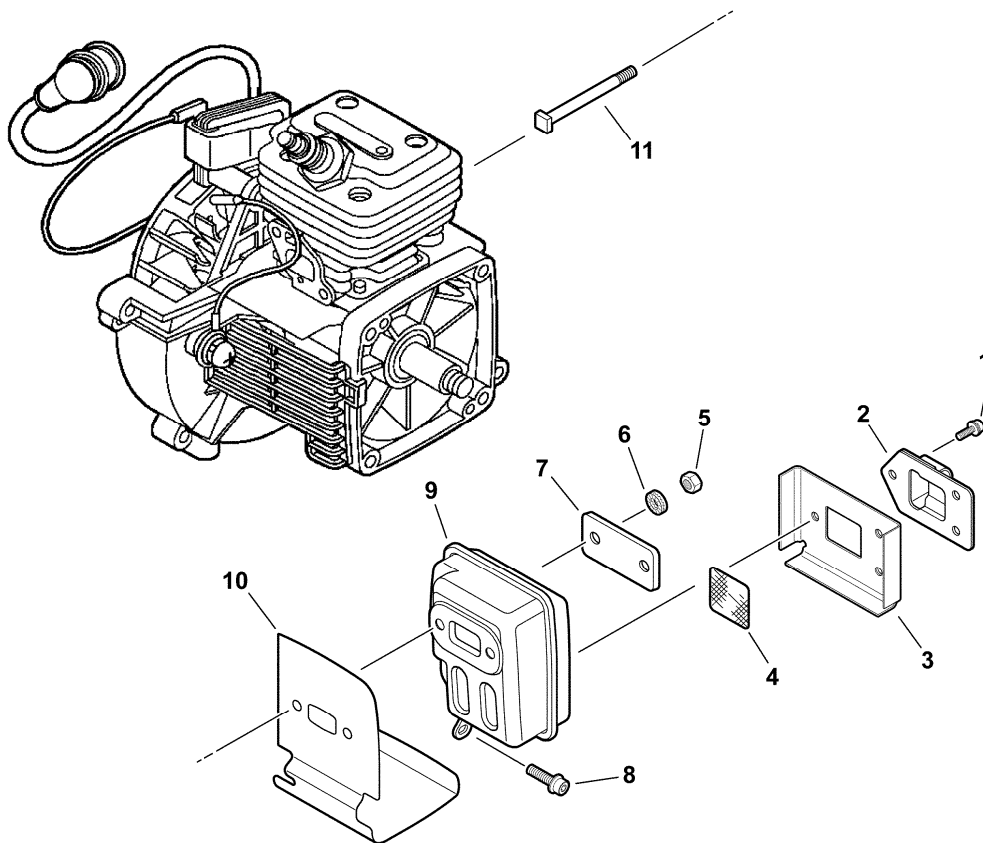
KEY	LV	PART NUMBER	Q'TY	DESCRIPTION	REMARKS	NOTE1	NOTE2
1		V299-000250	1	KNOB,FASTENER			
2		A232-000360	1	LID,CLEANER	ID #1320		
3		A226-000471	1	ELEMENT, AIR FILTER			
4		900242-05060	2	SCREW 5*60	5*60		
5		A244-000070	1	PLATE,PREVENT			
6		P021-013820	1	CASE, AIR CLEANER			
7		A021-001340	1	CARBURETOR,DIAPHRAGM	WYK-233A		
8		V103-000160	1	GASKET,INTAKE			
9		900106-05030	2	BOLT, H.S.H. 5*30	5*30		
10		A200-000270	1	INSULATOR, INTAKE	PM9685L		
11		V103-000380	1	GASKET,INTAKE	T0.5		

6. CARBURETOR



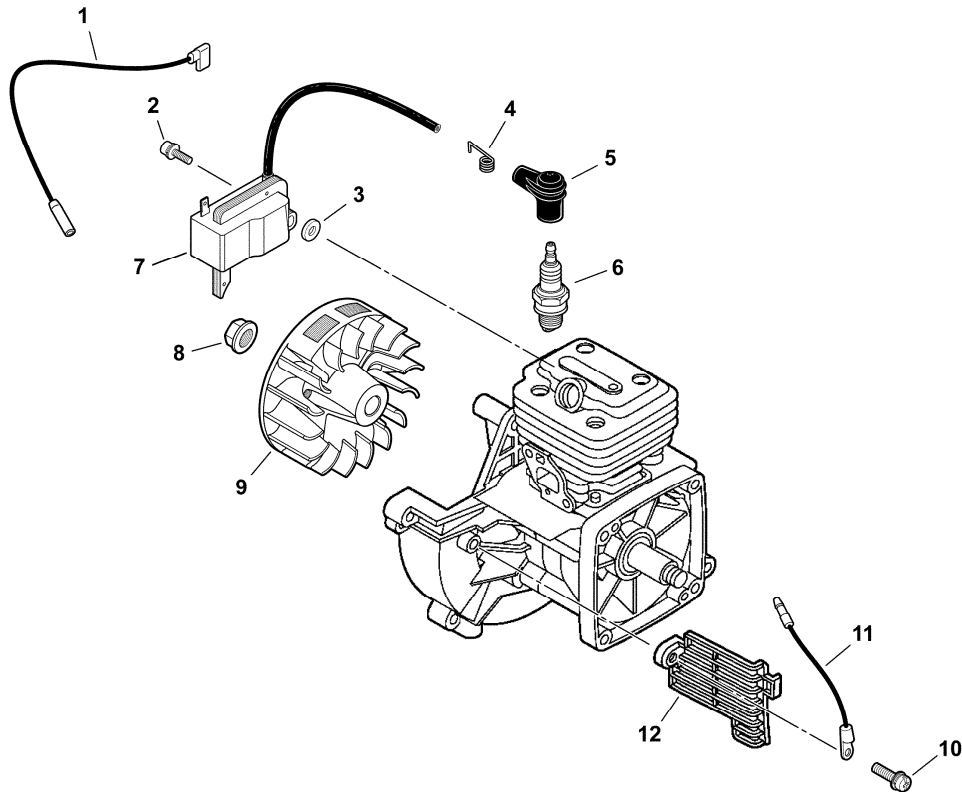
KEY	LV	PART NUMBER	Q'TY	DESCRIPTION	REMARKS	NOTE1	NOTE2
1		P003-000440	1	BODY ASY, PUMP			
2	+	123126-10631	1	SCREEN, INLET			
3	+	P003-000450	1	SPRING, METER. LEVER			
4	+	123137-19830	1	VALVE, INLET NEEDLE			
5	+	123123-03930	1	LEVER, METERING			
6	+	123138-03930	1	PIN, METERING LEVER			
7	+	123139-05560	1	SCREW, M. LEVER PIN			
8		123140-05560	1	GASKET, M. DIAPHRAGM			
9		P003-001850	1	DIAPHRAGM, METERING			
10		123180-05560	1	BODY, AIR PURGE			
11		123181-40630	1	PUMP, PRIMER			
12		123142-05560	1	COVER, PRIMER PUMP			
13		123110-05560	4	SCREW, PUMP COVER			
14		123114-40630	2	SCREW			
15		P003-000180	1	BRACKET CABLE			
16		123172-45130	1	SWIVEL			
17		123149-54230	1	WASHER			
18		123173-07930	1	CLIP			
19		123143-12110	1	RING, PACKING			
20		A259-000000	2	CAP, LIMITER	WALBRO 88-265		
21		P003-001130	1	NEEDLE, HIGH SPEED			
22		P003-000100	1	GASKET, PUMP			
23		123112-40630	1	DIAPHRAGM, PUMP			

7. MUFFLER



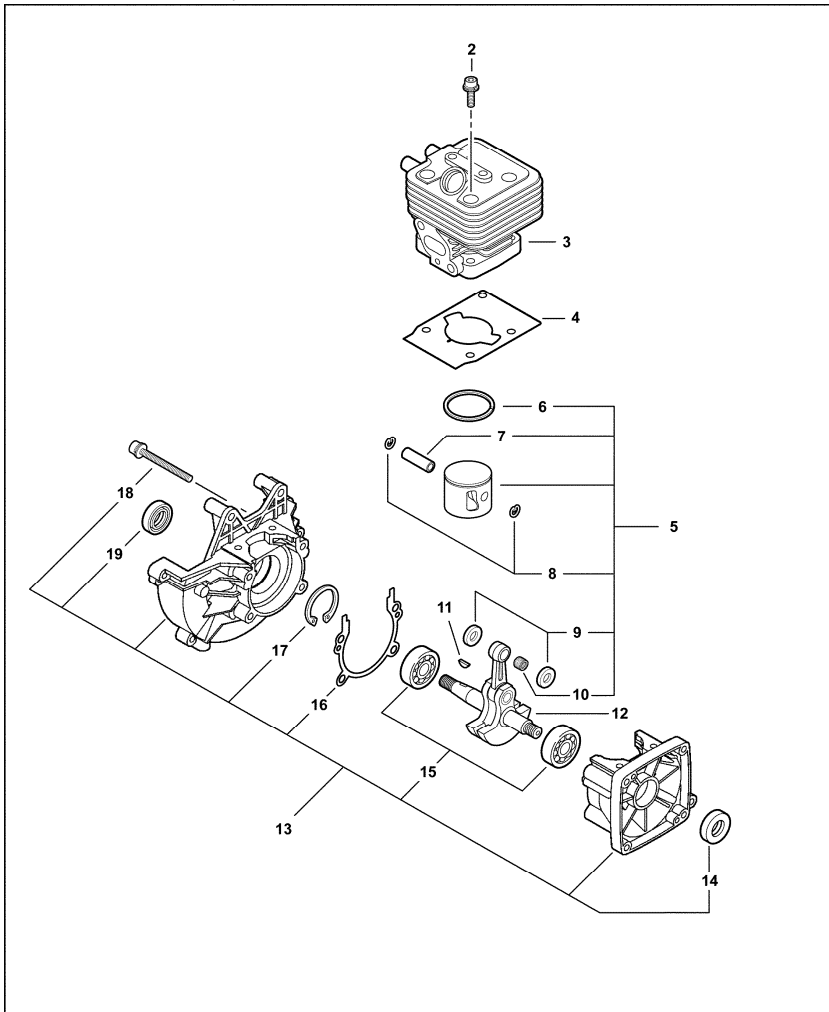
KEY	LV	PART NUMBER	Q'TY	DESCRIPTION	REMARKS	NOTE1	NOTE2
1		91367-04010	3	SCREW	4*10/SW(SUS)		
2		A313-000860	1	GUIDE, EXHAUST			
3		V104-000790	1	GASKET, EXHAUST			
4		145862-40630	1	SCREEN, MUFFLER			
5		900500-00005	2	NUT 5	5		
6		92280-05000	2	WASHER, NORD-LOCK	NL5 5.4*9*1.8		
7		V150-001760	1	PLATE, EYE			
8		900106-05016	1	BOLT, H.S. 5*16	5*16		
9		A300-000640	1	MUFFLER, EXHAUST	CAT25X26DEF STAY		
10		V104-000810	1	GASKET, EXHAUST	NP7002 T:1.0		
11		V203-000120	2	BOLT, 5	L=60		

8. MAGNETO



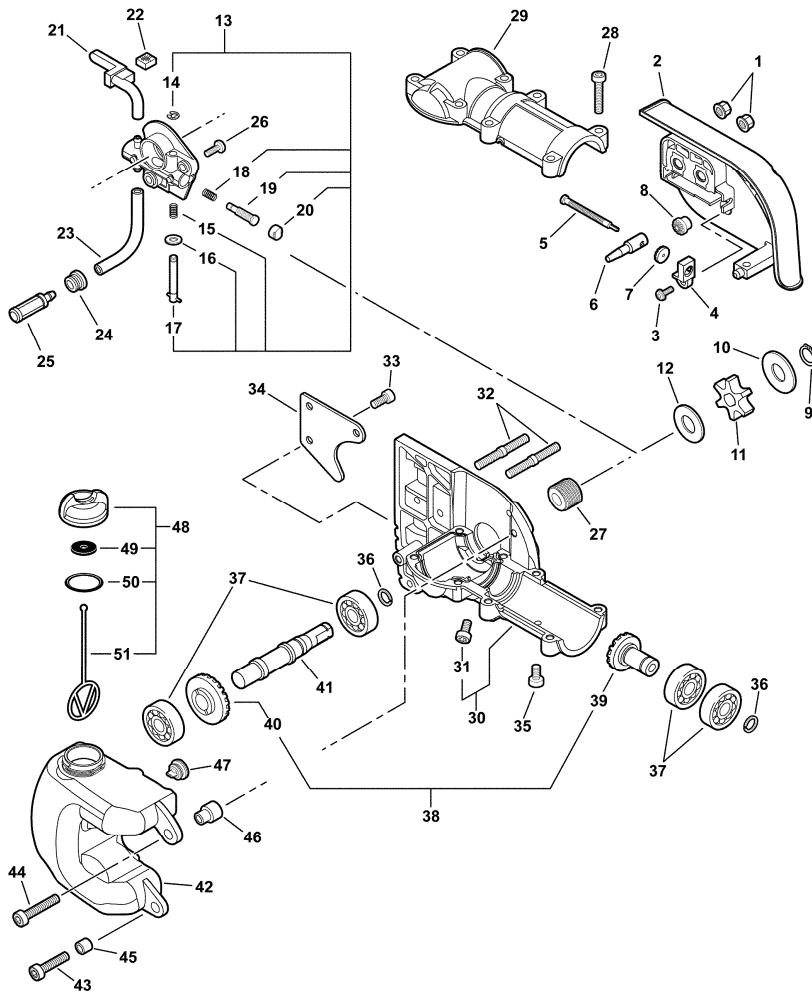
KEY	LV	PART NUMBER	Q'TY	DESCRIPTION	REMARKS	NOTE1	NOTE2
1		V485-000810	1	LEAD	L215		
2		900162-05020	2	BOLT, H.S. 5*20	5*20 W,SW		
3		V323-000070	2	WASHER,CIRCULAR 5	5.2*10*3		
4		159011-03432	1	COIL, SPARK PLUG			
5		159012-03433	1	CAP, SPARK PLUG			
6		A425-000000	1	SPARKPLUG	BPMR8Y		
7		A411-000312	1	COIL, IGNITION	ID#C10415		
8		900515-00008	1	NUT, FLANGE 8	8		
9		A409-000290	1	ROTOR, MAGNETO			
10		900242-05010	1	SCREW 5*10			
11		162014-27230	1	LEAD, GROUND			
12		A127-000150	1	COVER,DUST			

9. PISTON, CRANKSHAFT



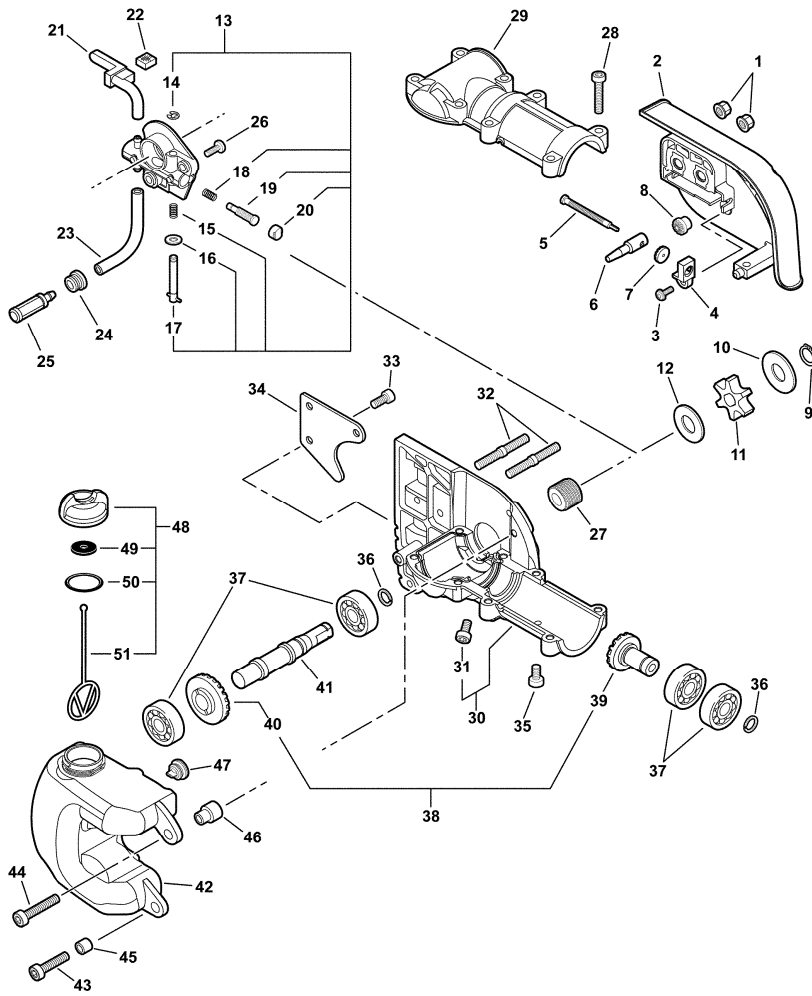
KEY	LV	PART NUMBER	Q'TY	DESCRIPTION	REMARKS	NOTE1	NOTE2
2		91128-05025	4	BOLT HSH			
3		A130-000800	1	CYLINDER			
4		V100-000201	1	GASKET,CYL			
5		P021-010730	1	PISTON KIT			
6	+	A101-000170	1	RING, PISTON	34*1.5*1.5		
7	+	100013-35430	1	PIN, PISTON	6*9*27.8		
8	+	100015-03931	2	CIRCLIP, PISTON PIN			
9	+	V306-000200	2	WASHER,CIRCULAR 8	9.2*14*T0.5		
10	+	100012-16131	1	BEARING, NEEDLE			
11		100142-12330	1	KEY, WOODRUFF			
12		A011-000471	1	CRANKSHAFT,ASY			
13		P021-010741	1	CRANKCASE KIT			
14	+	V505-000020	1	SEAL,OIL 12	12*22*7		
15	+	94035-36201	1	BEARING BALL	6201X3JR2C3		
15	+	94035-36201	1	BEARING BALL	6201X3JR2C3		
16	+	V102-000030	1	GASKET,CRANKCASE	T:0.5		
17	+	900702-00032	1	CIRCLIP 32	CR-32		
18	+	91128-05028	4	BOLT HSH			
19	+	100212-03930	1	OILSEAL	ISCX12*32*5.5		

10. GEAR CASE



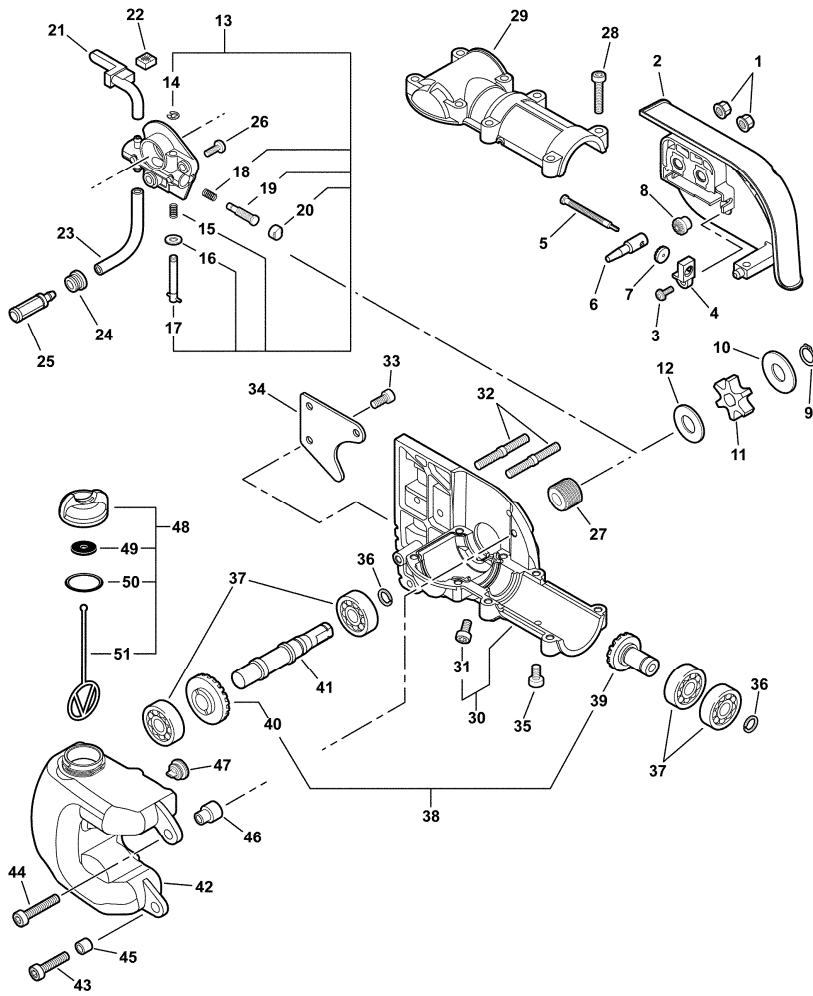
KEY	LV	PART NUMBER	Q'TY	DESCRIPTION	REMARKS	NOTE1	NOTE2
1		433019-03933	2	NUT, FLANGE 6	6		
2		C300-000920	1	GUARD, SPROCKET	COVER W/SCREW		
3		V252-000040	1	SCREW, 4	4*8 PT SCREW		
4		V355-000140	1	COLLAR, 8			
5		V203-000041	1	BOLT, 5			
6		C309-000030	1	TENSIONER, CHAIN			
7		V651-000310	1	GEAR, BEVEL	14 TEETH 3.0 SQ.		
8		V651-000320	1	GEAR, BEVEL	14 TEETH 10MM LG		
9		V583-000090	1	RING	EXTERNAL RING		
10		V307-000160	1	WASHER, CIRCULAR 10	10.2*29.5*T=1.2		
11		C580-000070	1	SPROCKET, DRIVE			
12		175014-39131	1	WASHER, CLUTCH	10.2*24.5*1.2		
13		C022-000010	1	OILER, ASM AUTO			
14	+	125327-15130	1	CLIP			
15	+	P022-010670	1	SPRING			
16	+	437029-37330	1	WASHER			
17	+	P022-010680	1	SCREW ASS'Y, ADJUST			
18	+	P022-010660	1	SPRING			
19	+	P022-010650	1	PLUNGER			
20	+	P022-010640	1	CAP, OIL PUMP			

10. GEAR CASE



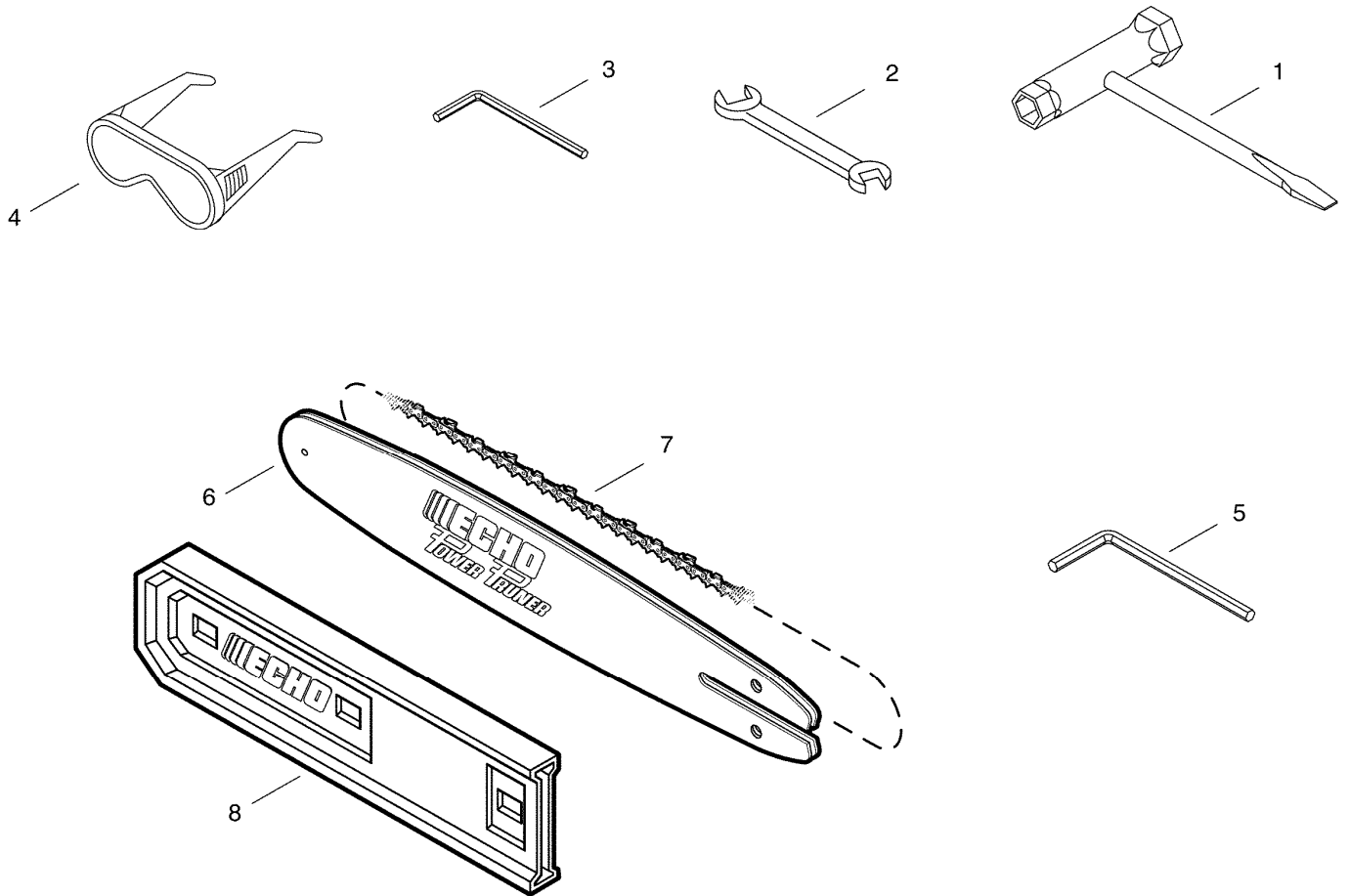
KEY	LV	PART NUMBER	Q'TY	DESCRIPTION	REMARKS	NOTE1	NOTE2
21		V470-000180	1	PIPE			
22		437244-39130	1	PAD, FORM			
23		130110-12330	1	PIPE, IMPULSE	3*6*70L		
24		132115-01461	1	GROMMET			
25		436205-02832	1	STRAINER, OIL			
26		V805-000130	2	BOLT, TORX 5	TB-5*10 10.9		
27		437063-38330	1	GEAR, WORM			
28		V805-000170	8	BOLT, TORX 5	TB-5*25 10.9		
29		C531-000010	1	CASE, GEAR	25.5		
30		C531-000460	1	CASE, GEAR			
31	+	V805-000130	1	BOLT, TORX 5	TB-5*10 10.9		
32		V224-000040	2	BOLT, STUD 6	15MM*19MM M6		
33		V253-000200	3	SCREW, 5	M5*10 PAN MS		
34		C649-000140	1	HOOK	BRANCH HOOK		
35		V805-000130	1	BOLT, TORX 5	TB-5*10 10.9		
36		900706-00012	2	CIRCLIP 12	WR-12		
37		94052-06001	2	BEARING BALL	PEER LLU, DDU 2RS		
37		94052-06001	2	BEARING BALL	PEER LLU, DDU 2RS		
38		P021-009731	1	GEAR, BEVEL SET			
39	+	V651-000230	1	GEAR, BEVEL	MG 80.2310.001		
40	+	V651-000201	1	GEAR, BEVEL	MG 0600.2259		
41		C534-000430	1	SHAFT, GEAR			
42		C200-000080	1	TANK, OIL			

10. GEAR CASE



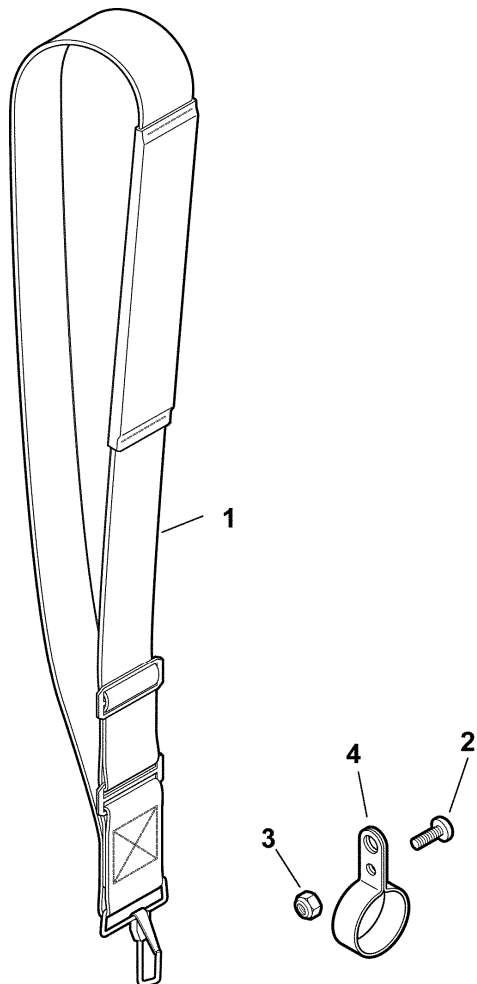
KEY	LV	PART NUMBER	Q'TY	DESCRIPTION	REMARKS	NOTE1	NOTE2
43		V805-000160	2	BOLT, TORX 5	TB-5*20 10.9		
44		V805-000170	1	BOLT, TORX 5	TB-5*25 10.9		
45		131045-28230	2	COLLAR			
46		V354-000010	1	COLLAR,6			
47		131314-06320	1	VALVE, CHECK			
48		P021-014940	1	CAP ASSY, OIL			
49	+	436012-37830	1	GASKET, CIRCULAR			
50	+	900720-00018	1	O-RING 18	P-18		
51	+	A365-000050	1	CONNECTOR,CAP			

11. TOOLS



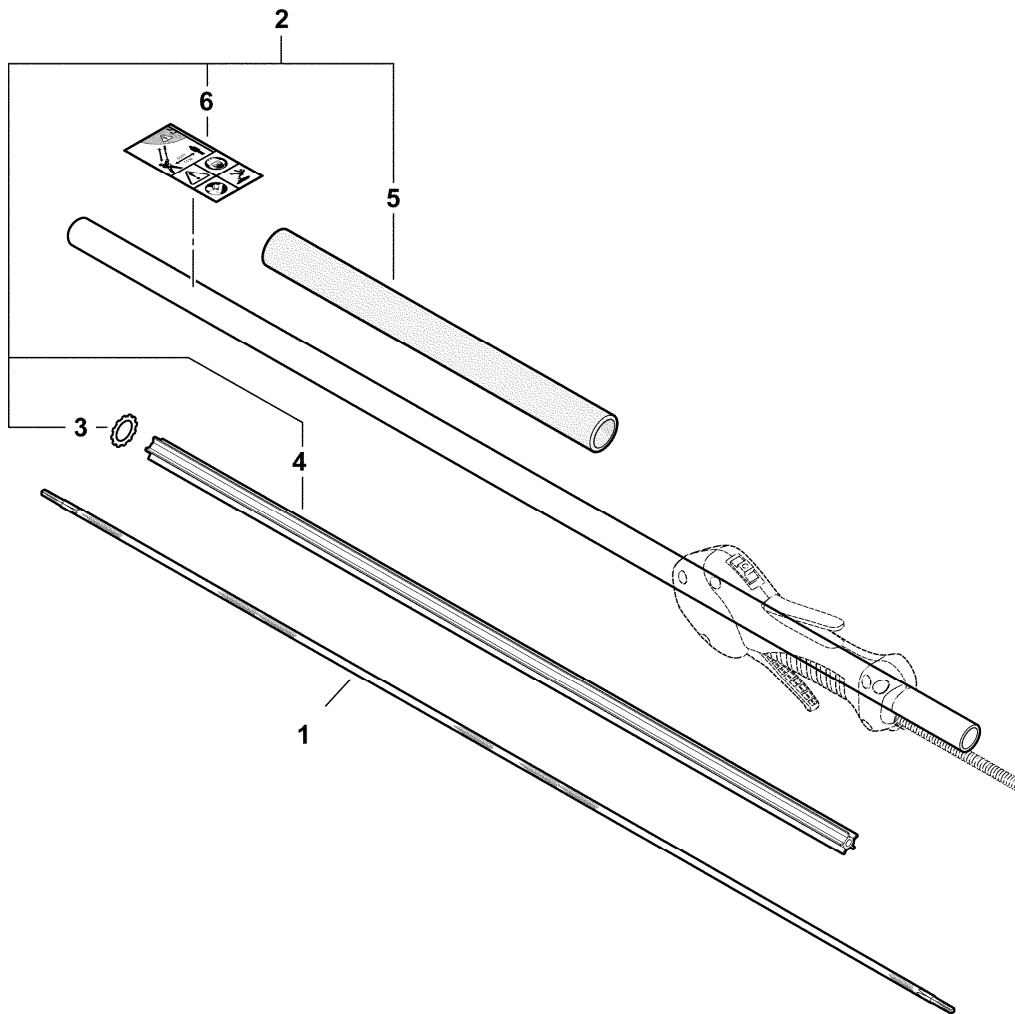
KEY	LV	PART NUMBER	Q'TY	DESCRIPTION	REMARKS	NOTE1	NOTE2
1		895410-39131	1	WRENCH, W/S-DRIVER			
2		895112-00330	1	SPANNER 8*10			
3		X605-000060	1	TOOL,L WRENCH	80*30 T27 2-ENDS		
4		X690-000050	1	GOGGLE	GOGGLE + NOTE		
5		X605-000100	1	TOOL,L WRENCH	4MM M5		
6		X122-000150	1	BAR,GUIDE 30	12A0CD3744		
7		431611-22461	1	CHAIN,SAW	91VX44CQ		
8		X490-000050	1	SCABBARD,CHAIN	12" BAR		

12. HARNESS



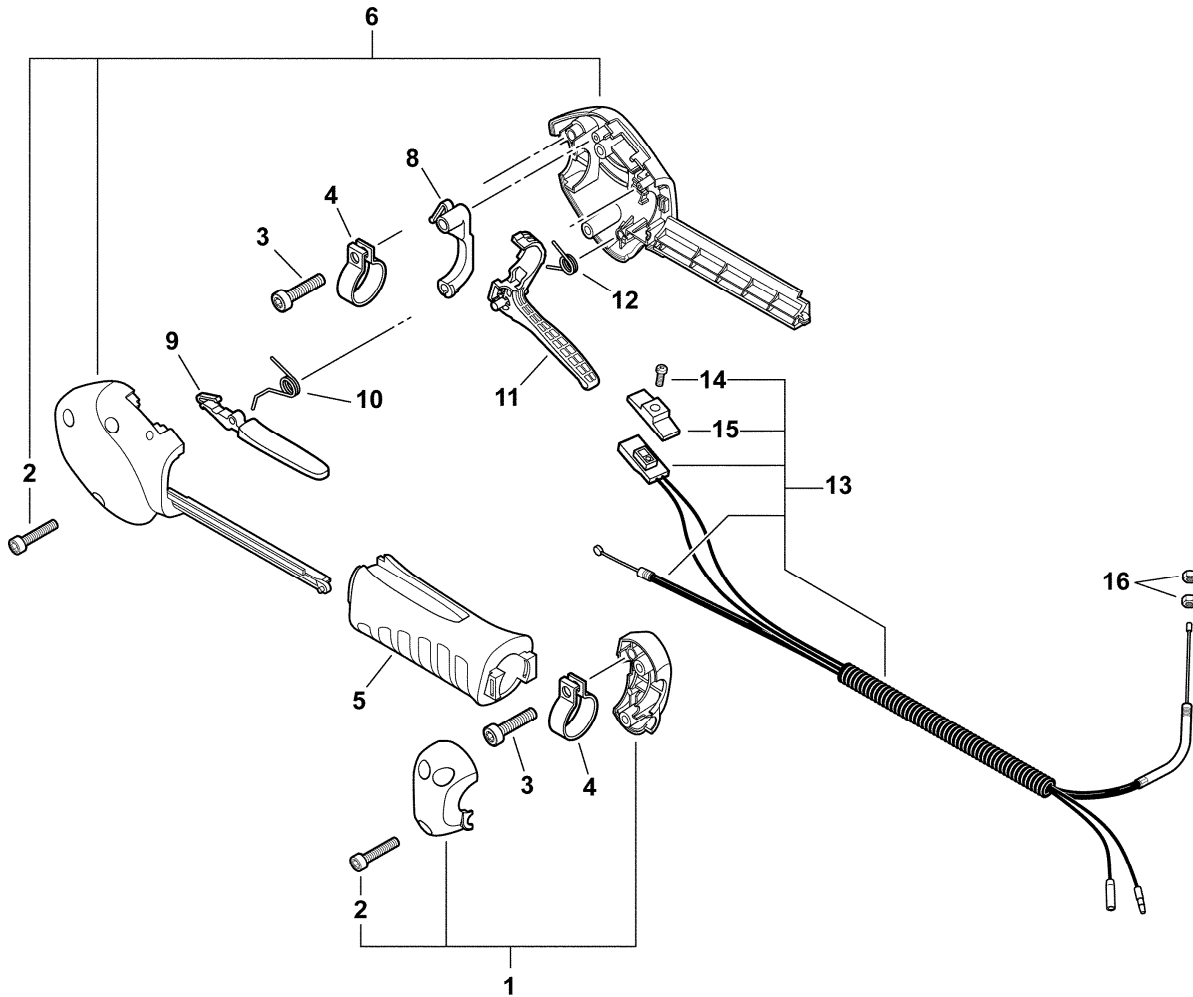
KEY	LV	PART NUMBER	Q'TY	DESCRIPTION	REMARKS	NOTE1	NOTE2
1		301000-22060	1	HARNESS ASY, SHOULDER			
2		V805-000130	1	BOLT, TORX 5	TB-5*10 10.9		
3		900560-00005	1	NUT, LOCK 5	5		
4		300610-22061	1	BRACKET, HARNESS	24.69/24.84 I.D.		

13. MAIN PIPE



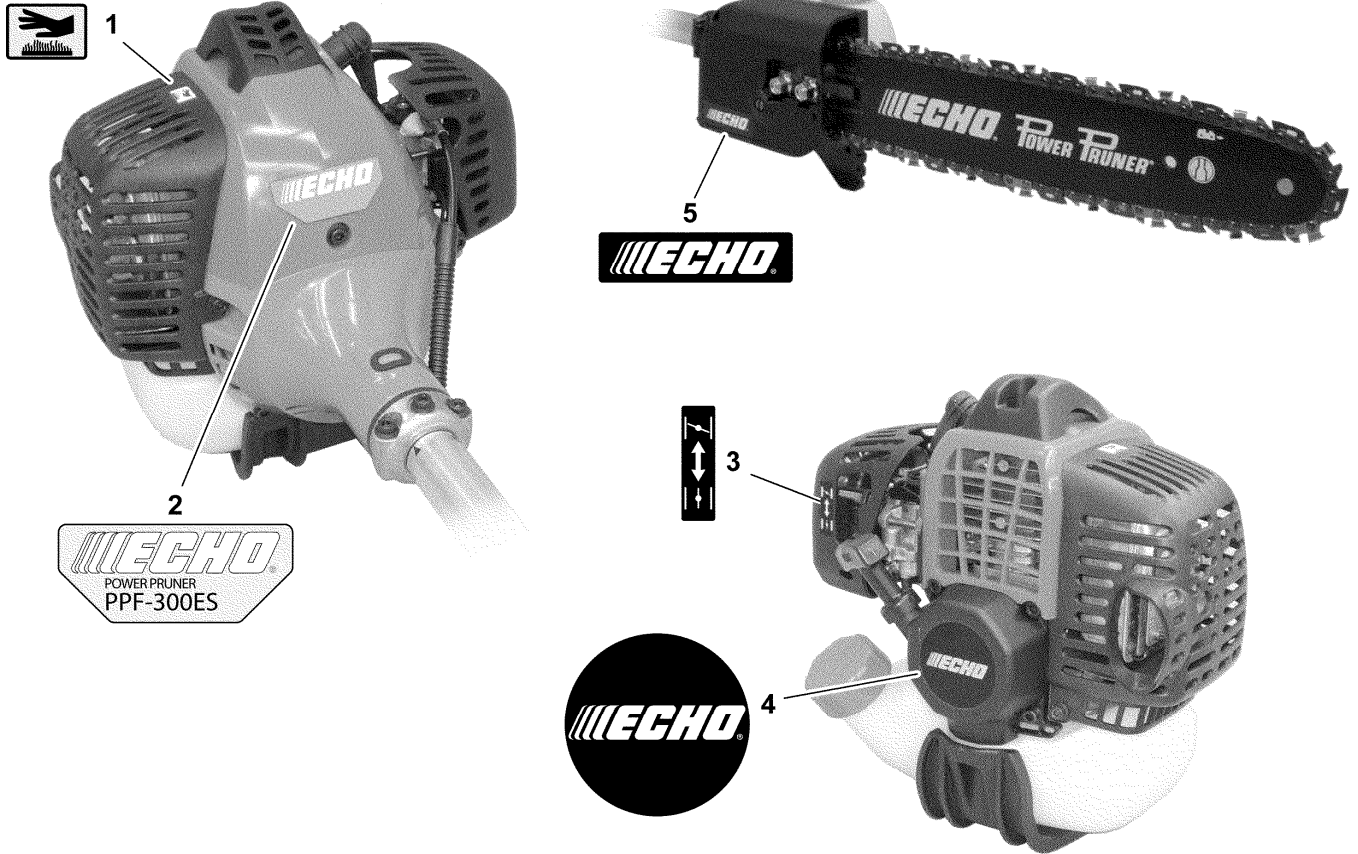
KEY	LV	PART NUMBER	Q'TY	DESCRIPTION	REMARKS	NOTE1	NOTE2
1		C506-000350	1	SHAFT, FLEXIBLE	ACT#080909B-103		
2		C050-002320	1	PIPE, MAIN	PPF-300ES ASM		
3	+	900038-00100	1	WASHER,EXTERNAL			
4	+	C507-000330	1	LINER, FLEXIBLE	ACT#080909B-102		
5	+	C403-000200	1	GRIP, HANDLE	24.7 * 33 * 483		
6	+	X505-001821	1	LABEL, CAUTION	ISO WARNINGS		

14. THROTTLE



KEY	LV	PART NUMBER	Q'TY	DESCRIPTION	REMARKS	NOTE1	NOTE2
1		P021-015910	1	HANDLE FIXTURE SET			
2	+	V804-000020	4	BOLT, TORX 4	TT-4*20 DG 10.9		
3		V805-000160	2	BOLT, TORX 5	TB-5*20 10.9		
4		V495-000680	2	BAND			
5		C412-000090	1	GRIP, HANDLE	RUBBER INSERT		
6		P021-015900	1	GRIP ASY, HANDLE			
8		C453-000151	1	LEVER, THROTTLE			
9		C460-000051	1	LOCKOUT, THROTTLE	ACT3020-09F		
10		V452-000240	1	SPRING, TORSION	ACT3020-35B		
11		C450-000183	1	TRIGGER, THROTTLE	ACT3020-07F		
12		V452-000212	1	SPRING, TORSION	7.50MM ID COIL		
13		V043-000100	1	CABLE ASY, CONTROL			
14	+	91545-03010	1	SCREW TAPTITE-P			
15	+	A444-000020	1	KNOB, SWITCH	ACT3020-14F		
16	+	900502-00006	2	NUT 6 (3N)	3N6		

15. LABEL



KEY	LV	PART NUMBER	Q'TY	DESCRIPTION	REMARKS	NOTE1	NOTE2
1		X505-002310	1	LABEL,CAUTION	HOT CAUTION		
2		X547-001870	1	LABEL,ECHO	ECHO + PPF-300ES		
3		890332-52730	1	LABEL,CHOKE			
4		X502-000330	1	LABEL,ECHO	ECHO		
5		X502-000600	1	LABEL,ECHO	48MM*15MM + ECHO		

Index

Patrs Number	Key No.	Patrs Number	Key No.	Patrs Number	Key No.
100012-16131	9 - 10	301000-22060	12 - 1	A127-000150	8 - 12
100013-35430	9 - 7	431611-22461	11 - 7	A130-000800	9 - 3
100015-03931	9 - 8	433019-03933	10 - 1	A160-000800	1 - 7
100142-12330	9 - 11	436012-37830	10 - 49	A162-000110	1 - 5
100212-03930	9 - 19	436205-02832	10 - 25	A175-000040	2 - 2
100215-03930	4 - 7	437029-37330	10 - 16	A200-000270	5 - 11
123110-05560	6 - 13	437063-38330	10 - 27	A226-000471	5 - 3
123112-40630	6 - 23	437244-39130	10 - 22	A232-000360	5 - 2
123114-40630	6 - 14	890332-52730	15 - 3	A244-000070	5 - 6
123123-03930	6 - 5	895112-00330	11 - 2	A259-000000	6 - 20
123126-10631	6 - 2	895410-39131	11 - 1	A300-000640	7 - 9
123137-19830	6 - 4	900038-00100	13 - 3	A313-000860	7 - 2
123138-03930	6 - 6	900106-05010	1 - 6	A320-000400	1 - 3
123139-05560	6 - 7	900106-05010	4 - 2	A350-000900	2 - 3
123140-05560	6 - 8	900106-05016	7 - 8	A356-000030	2 - 8
123142-05560	6 - 12	900106-05020	1 - 2	A365-000050	10 - 51
123143-12110	6 - 19	900106-05020	2 - 1	A369-000000	2 - 5
123149-54230	6 - 17	900106-05020	4 - 5	A409-000290	8 - 9
123172-45130	6 - 16	900106-05025	4 - 1	A411-000312	8 - 7
123173-07930	6 - 18	900106-05030	5 - 10	A425-000000	8 - 6
123180-05560	6 - 10	900162-05020	8 - 2	A444-000020	14 - 15
123181-40630	6 - 11	900242-05010	8 - 10	A506-000080	3 - 10
125327-15130	10 - 14	900242-05060	5 - 5	A553-000050	4 - 16
130110-12330	10 - 23	900500-00005	7 - 5	A556-000420	4 - 9
131004-55530	2 - 12	900502-00006	14 - 16	A566-000020	4 - 15
131016-55830	2 - 13	900502-00008	3 - 13	C022-000010	10 - 13
131045-28230	10 - 45	900515-00008	8 - 8	C050-002320	13 - 2
131051-56030	2 - 14	900560-00005	12 - 3	C200-000080	10 - 42
131314-06320	10 - 47	900565-00005	3 - 12	C300-000920	10 - 2
132012-56030	2 - 10	900701-00012	4 - 8	C309-000030	10 - 6
132013-09820	2 - 4	900702-00028	4 - 10	C403-000200	13 - 5
132013-26630	2 - 7	900702-00032	9 - 17	C412-000090	14 - 5
132115-01461	10 - 24	900706-00012	10 - 36	C450-000183	14 - 11
132115-55930	2 - 11	900720-00018	10 - 50	C453-000151	14 - 8
145862-40630	7 - 4	900807-06001	4 - 11	C460-000051	14 - 9
159011-03432	8 - 4	91128-05025	9 - 2	C506-000350	13 - 1
159012-03433	8 - 5	91128-05028	9 - 18	C507-000330	13 - 4
162014-27230	8 - 11	91367-04010	7 - 1	C531-000010	10 - 29
175014-39131	10 - 12	91545-03010	14 - 14	C531-000460	10 - 30
175046-56030	4 - 12	92280-05000	7 - 6	C534-000430	10 - 41
175048-05530	4 - 14	94035-36201	9 - 15	C580-000070	10 - 11
175049-56030	4 - 13	94035-36201	9 - 15	C649-000140	10 - 34
177220-40630	3 - 11	94052-06001	10 - 37	P003-000100	6 - 22
177227-42030	3 - 8	94052-06001	10 - 37	P003-000180	6 - 15
177228-27030	3 - 7	A011-000471	9 - 12	P003-000440	6 - 1
177234-12220	3 - 17	A021-001340	5 - 8	P003-000450	6 - 3
177236-61830	3 - 3	A051-001211	3 - 2	P003-001130	6 - 21
177246-11120	3 - 6	A052-000180	3 - 14	P003-001850	6 - 9
300610-22061	12 - 4	A101-000170	9 - 6	P021-009731	10 - 38

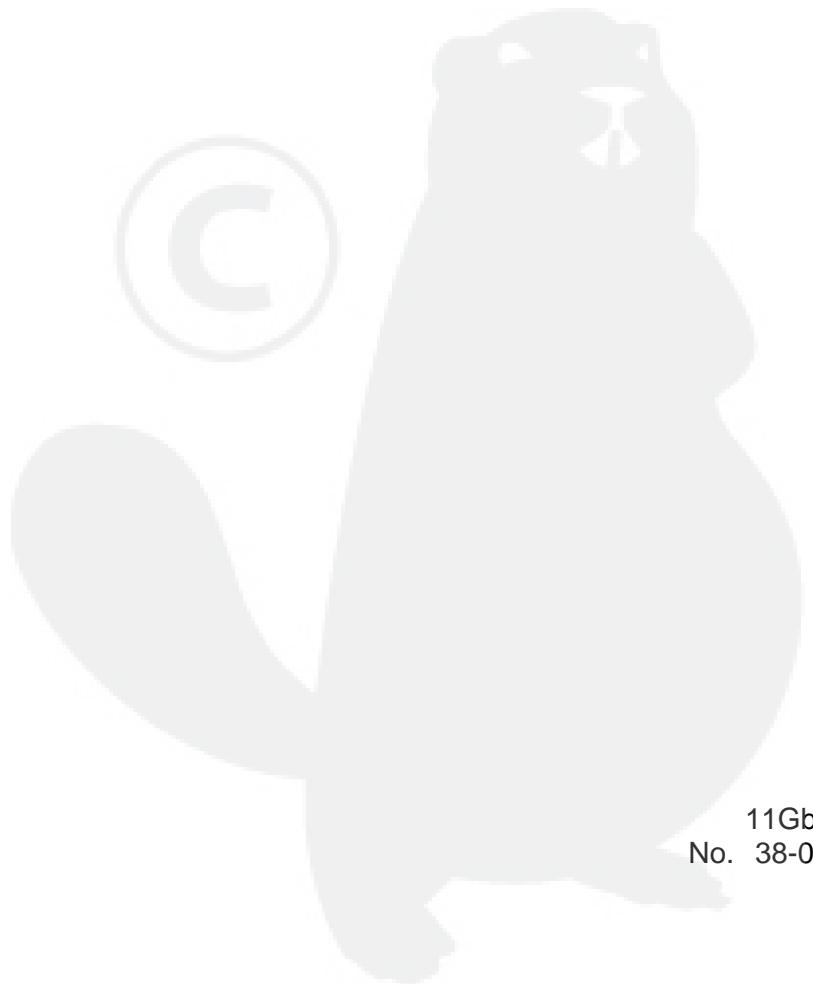
Index

Patrs Number	Key No.	Patrs Number	Key No.	Patrs Number	Key No.
P021-010730	9 - 5	V583-000090	10 - 9		
P021-010741	9 - 13	V651-000201	10 - 40		
P021-013810	4 - 6	V651-000230	10 - 39		
P021-013820	5 - 7	V651-000310	10 - 7		
P021-013900	4 - 3	V651-000320	10 - 8		
P021-014940	10 - 48	V804-000020	14 - 2		
P021-015900	14 - 6	V805-000130	10 - 26		
P021-015910	14 - 1	V805-000130	10 - 31		
P022-002100	3 - 15	V805-000130	10 - 35		
P022-006850	3 - 16	V805-000130	12 - 2		
P022-008270	3 - 5	V805-000160	10 - 43		
P022-008280	3 - 4	V805-000160	14 - 3		
P022-010640	10 - 20	V805-000170	10 - 28		
P022-010650	10 - 19	V805-000170	10 - 44		
P022-010660	10 - 18	X122-000150	11 - 6		
P022-010670	10 - 15	X490-000050	11 - 8		
P022-010680	10 - 17	X502-000330	15 - 4		
P022-022110	3 - 9	X502-000600	15 - 5		
V043-000100	14 - 13	X505-001821	13 - 6		
V100-000201	9 - 4	X505-002310	15 - 1		
V102-000030	9 - 16	X547-001870	15 - 2		
V103-000160	5 - 9	X605-000060	11 - 3		
V103-000380	5 - 12	X605-000100	11 - 5		
V104-000790	7 - 3	X690-000050	11 - 4		
V104-000810	7 - 10				
V150-001760	7 - 7				
V203-000041	10 - 5				
V203-000120	7 - 11				
V203-000260	1 - 1				
V203-000260	3 - 1				
V203-000270	1 - 4				
V224-000040	10 - 32				
V252-000040	10 - 3				
V253-000200	10 - 33				
V299-000250	5 - 1				
V306-000200	9 - 9				
V307-000160	10 - 10				
V323-000070	8 - 3				
V354-000010	10 - 46				
V355-000140	10 - 4				
V420-001400	4 - 4				
V452-000212	14 - 12				
V452-000240	14 - 10				
V470-000180	10 - 21				
V470-000580	2 - 6				
V471-000110	2 - 9				
V485-000810	8 - 1				
V495-000680	14 - 4				
V505-000020	9 - 14				

YAMABIKO CORPORATION

7-2 SUEHIROCHO 1-CHOME, OHME, TOKYO 198-8760, JAPAN
PHONE: 81-428-32-6118. FAX: 81-428-32-6145.

ECHO[®]



11Gb
No. 38-037