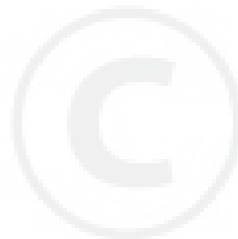




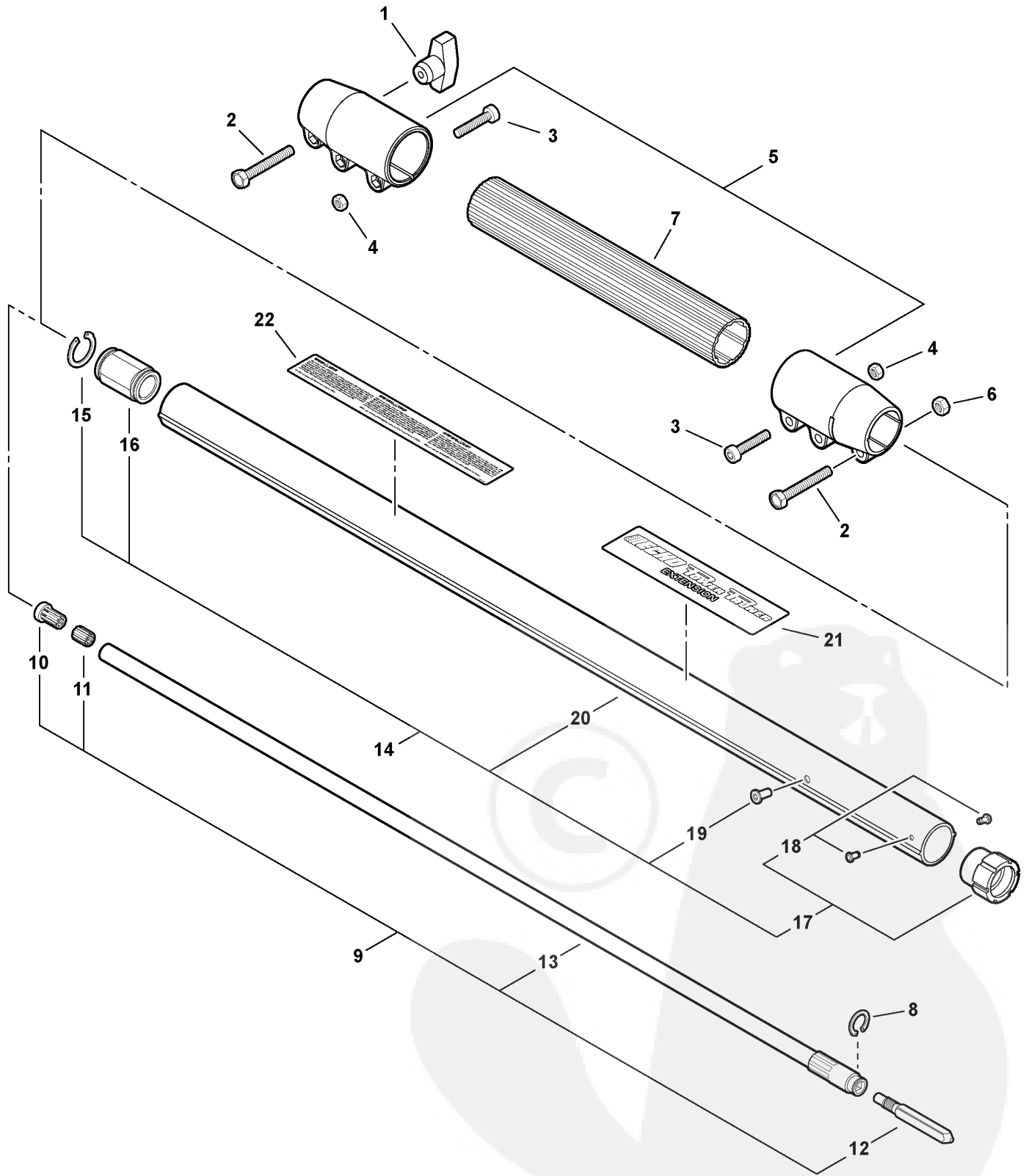
PARTS CATALOG
99946400023 Power
Pruner 4' Orange
Extension

Power Pruner Attachment



ECHO, INCORPORATED
400 Oakwood Road Lake Zurich, Illinois 60047 USA

WWW.ECHO-USA.COM



900 0013 000

ITEM	PART NUMBER	QTY	DESCRIPTION	REMARKS
1	V299000321	1	THUMB, SCREW	
2	90010006025	2	BOLT 6X25	
3	V253000230	4	SCREW 5X20	
4	90050000005	4	NUT	
5	C510000171	2	COUPLING	
6	90050000006	1	NUT	
7	C500000410	1	PIPE - ORANGE	
8	10022922460	1	SNAP RING	
9	C504000481	1	DRIVESHAFT ASY	INCLUDES ITEMS 10-13
10	C509000080	1	SOCKET - OUTER	
11	C509000090	1	SOCKET - INNER	
12	61002522361	1	CONNECTOR, DRIVESHAFT	
13	C504000490	1	DRIVESHAFT - UPPER	
14	C050001410	1	MAIN PIPE ASY - BLACK	INCLUDES ITEMS 15-20
15	61033522460	3	SNAP RING	
16	C316000010	3	GUIDE, SHAFT	
17	C503000080	1	BEARING HOLDER ASY	INCLUDES ITEM 18
18	89001122360	2	RIVET	
19	89001122460	1	RIVET	
20	C500000370	1	PIPE, MAIN	
21	X547001550	1	LABEL - ECHO	
22	89007522761	1	LABEL - WARNING	





ECHO, INCORPORATED

400 Oakwood Road
Lake Zurich, IL 60047 USA

WWW.ECHO-USA.COM
