



PARTS CATALOG

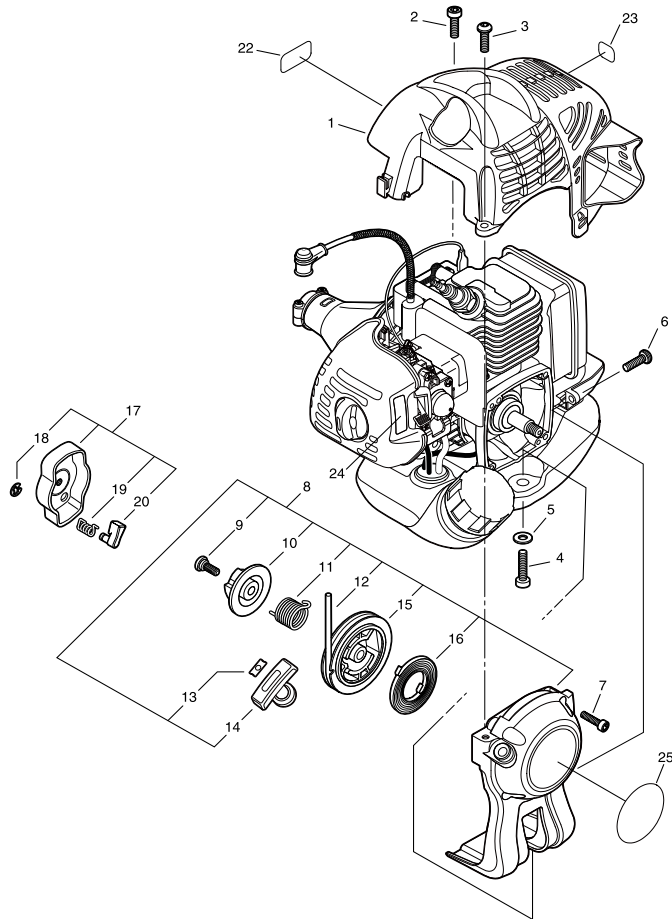
POWER PRUNER

PPT-235ES(37)

37000001 -

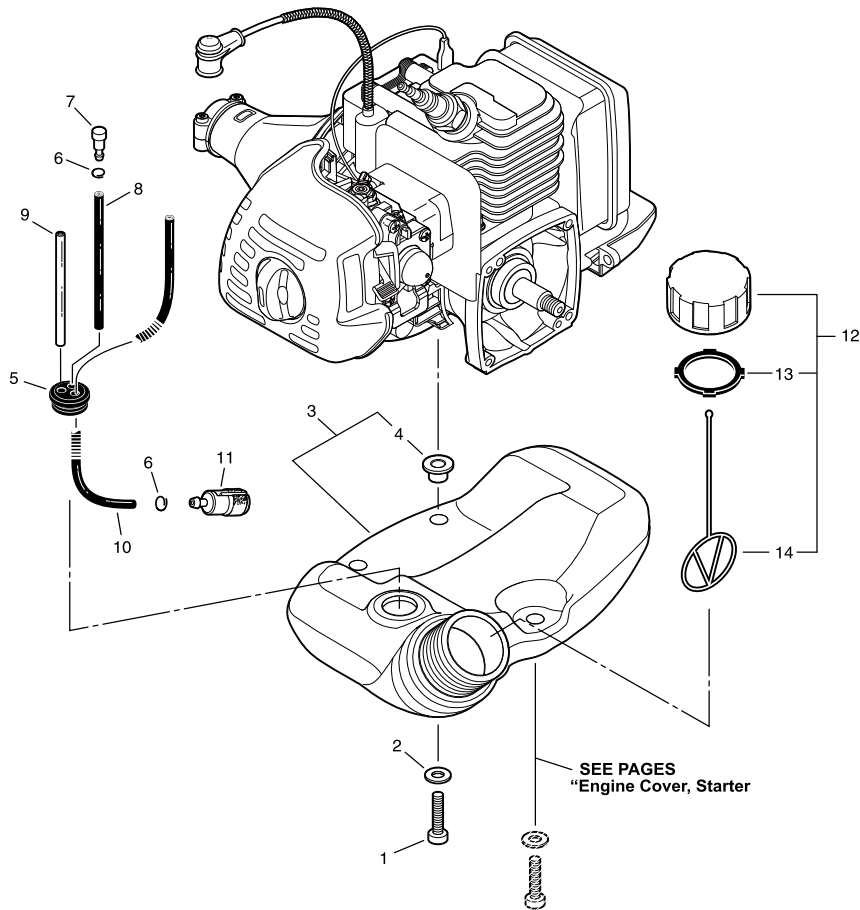
P014-001400-11Gb

1. RECOIL STARTER



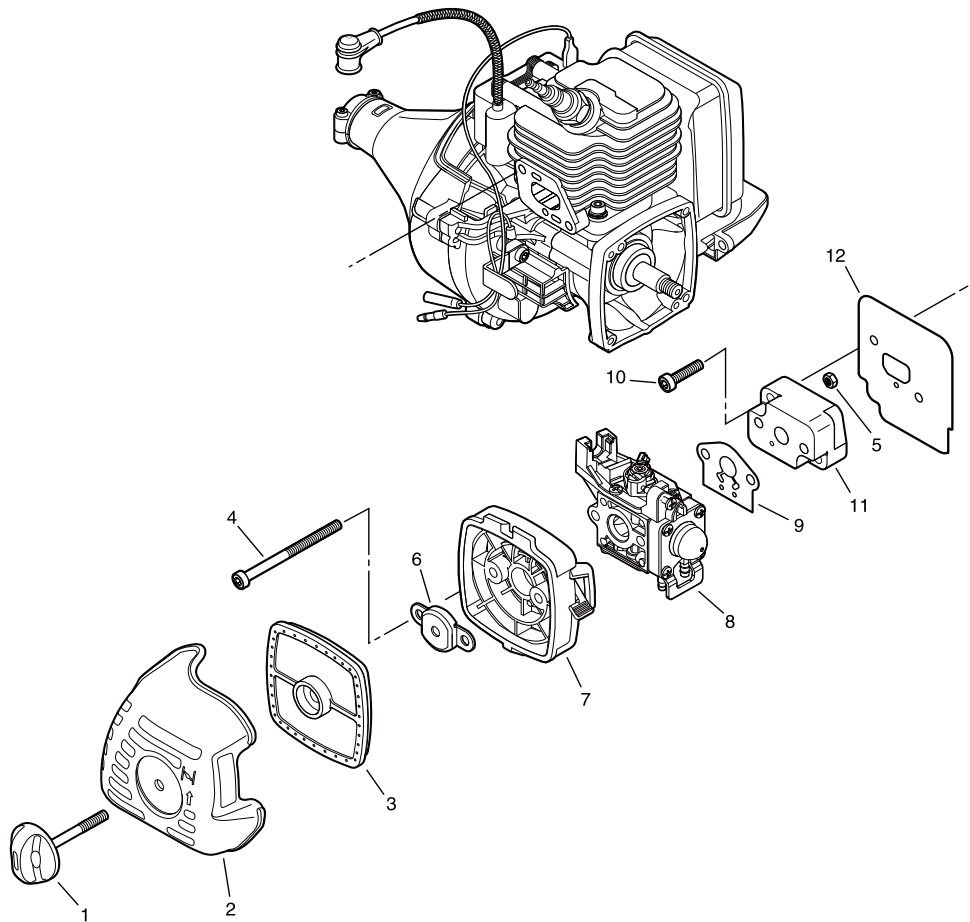
KEY	LV	PART NUMBER	Q'TY	DESCRIPTION	REMARKS	NOTE1	NOTE2
1		A160-001090	1	COVER,CYLINDER			
2		V805-000150	1	BOLT, TORX 5	TB-5*16 10.9		
3		V805-000000	1	BOLT, TORX 5	TT-5*16 DG 10.9		
4		V805-000160	1	BOLT, TORX 5	TB-5*20 10.9		
5		900603-00005	1	WASHER 5	5.5*12*0.8		
6		V805-000000	1	BOLT, TORX 5	TT-5*16 DG 10.9		
7		V804-000060	4	BOLT, TORX 4	TB-4*16 10.9		
8		A051-001311	1	STARTER,RECOIL ASY			
9	+	177236-61830	1	SCREW			
10	+	P022-008280	1	PLATE, CAM			
11	+	P022-008270	1	SPRING,DAMPER			
12	+	P022-019990	1	ROPE, STARTER			
13	+	177246-11120	1	CLIP, STARTER ROPE			
14	+	177228-27030	1	GRIP, STARTER			
15	+	P022-006830	1	DRUM			
16	+	P022-019680	1	SPRING, SPIRAL			
17		A052-000180	1	PULLEY,ASM STARTER			
18	+	P022-002100	2	E-RING	4		
19	+	177234-12220	2	SPRING, PAWL			
20	+	P022-006850	2	PAWL, STARTER			
22		X547-001631	1	LABEL,ECHO	PPT-235ES		
23		X505-002310	1	LABEL,CAUTION	HOT CAUTION		
24		890332-52730	1	LABEL,CHOKE			
25		X502-000330	1	LABEL,ECHO	ECHO		

2. FUEL TANK



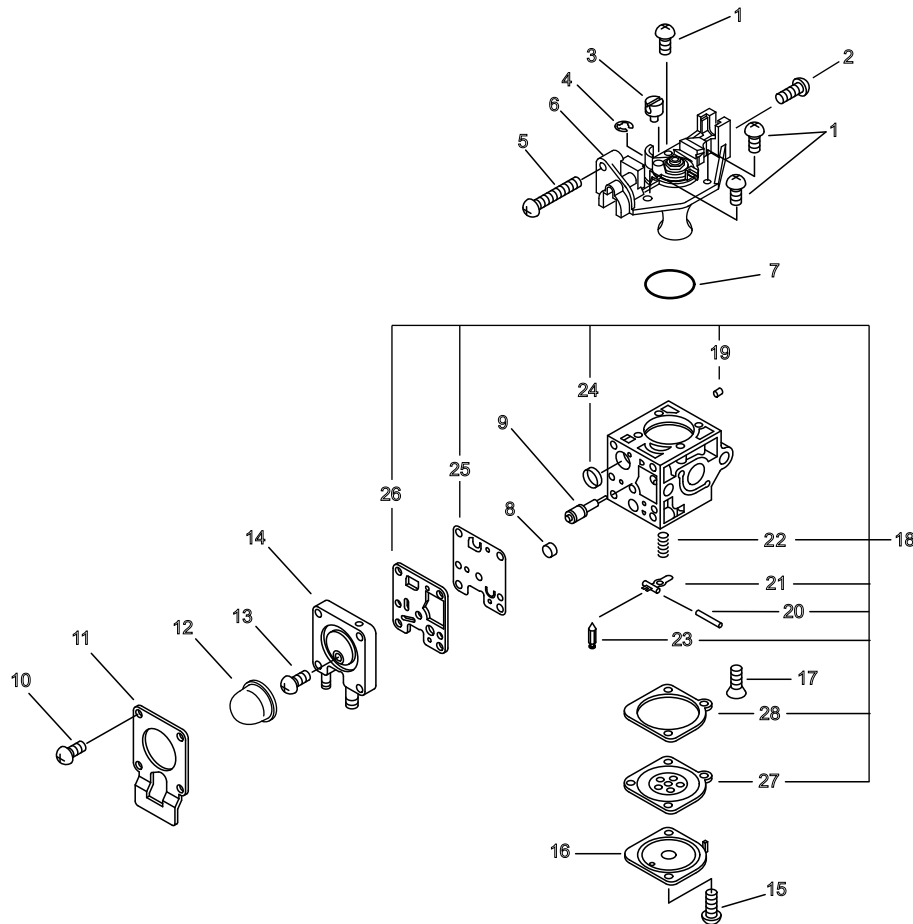
KEY	LV	PART NUMBER	Q'TY	DESCRIPTION	REMARKS	NOTE1	NOTE2
1		V805-000160	2	BOLT, TORX 5	TB-5*20 10.9		
2		900603-00005	2	WASHER 5	5.5*12*0.8		
3		A350-000830	1	TANK, FUEL			
4	+	V353-000231	3	COLLAR,5	16*5.5 L6 T2		
5		V137-000030	1	GROMMET, FUEL			
6		132013-09820	1	CLIP	6MM		
7		A356-000031	1	VALVE,CHECK			
8		V471-001210	1	PIPE	3*5*90 NBR		
9		132012-56030	1	PIPE	3*6*80 YL		
10		V470-000840	1	PIPE			
11		131205-07320	1	STRAINER, FUEL			
12		P021-012210	1	CAP, FUEL ASY			
13	+	131016-55830	1	GASKET, FUEL CAP			
14	+	A365-000060	1	CONNECTOR,CAP	L=123		

3. AIR CLEANER



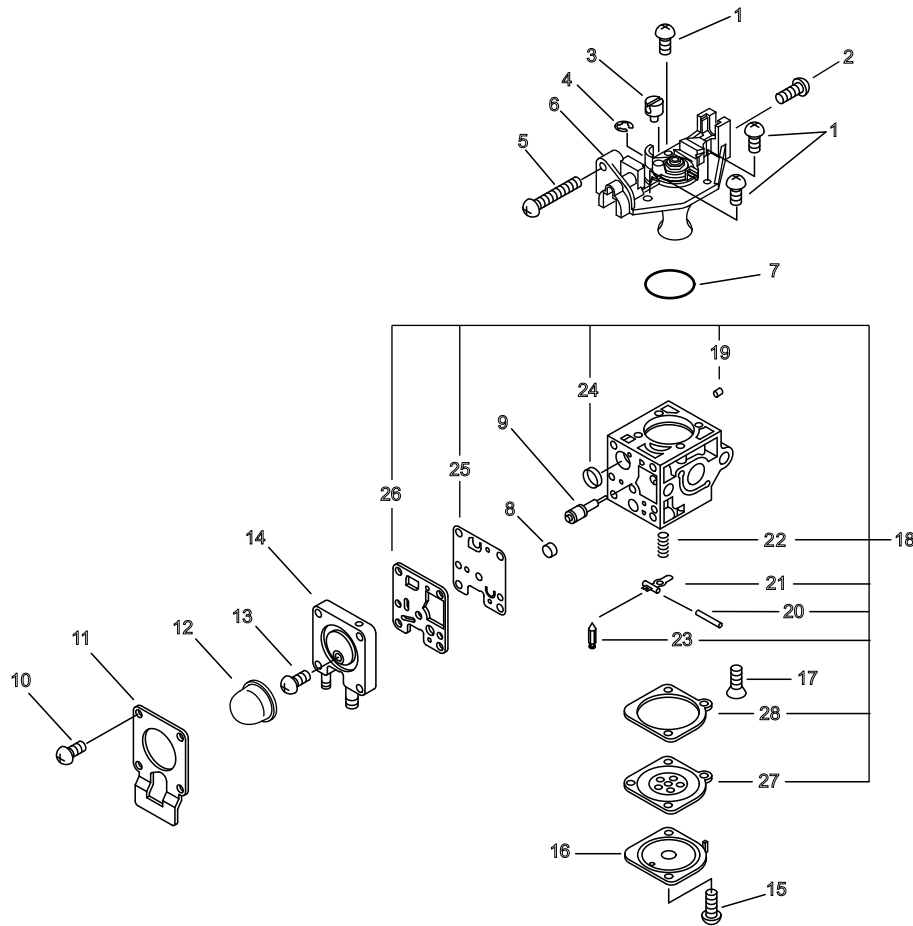
KEY	LV	PART NUMBER	Q'TY	DESCRIPTION	REMARKS	NOTE1	NOTE2
1		V299-000250	1	KNOB,FASTENER			
2		A232-000480	1	LID,CLEANER			
3		A226-001410	1	ELEMENT,AIR FILTER			
4		V805-000100	2	BOLT, TORX 5	TB-5*65 10.9		
5		900500-00005	2	NUT 5	5		
6		129011-52730	1	PLATE, PREVENT			
7		P021-012870	1	CLEANER CASE ASY			
8		A021-001690	1	CARBURETOR,DIAPHRAGM	ZAMA RB-X1746		
9		V103-000480	1	GASKET,INTAKE	ASK4602		
10		V805-000160	2	BOLT, TORX 5	TB-5*20 10.9		
11		130017-44331	1	INSULATOR			
12		V103-000490	1	GASKET,INTAKE	NP4200		

4. CARBURETOR



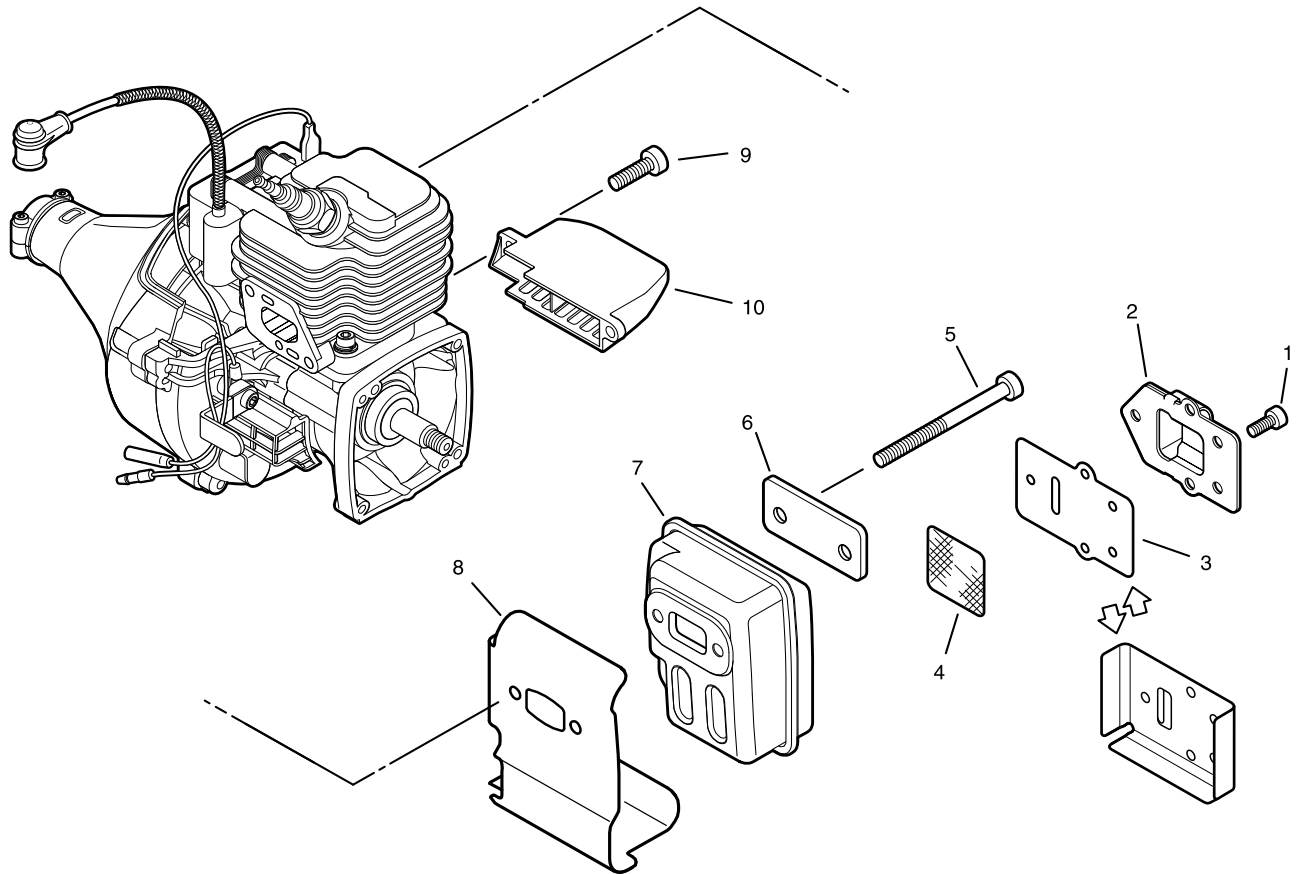
KEY	LV	PART NUMBER	Q'TY	DESCRIPTION	REMARKS	NOTE1	NOTE2
		A021-001690	1	CARBURETOR,DIAPHRAGM	ZAMA RB-X1746		
1		125344-13931	3	SCREW			
2		125344-52130	1	SCREW			
3		P005-001240	1	POST			
4		P005-000190	1	E-RING			
5		P005-000100	1	SCREW,THROTTLEADJUST			
6		P005-002050	1	COVER ASY, ROTOR			
7		P005-000280	1	O-RING			
8		P005-001270	1	PLUG, H AJUST SCREW			
9		P005-001260	1	SCREW,MAINN MIXTURE			
10		P005-001900	4	SCREW			
11		P005-000250	1	RETAINER			
12		125381-08660	1	PUMP, PRIMING			
13		P005-000270	1	SCREW			
14		P005-001890	1	BASE, ASY PRIMER			
15		125344-52130	2	SCREW			
16		125342-52130	1	COVER, DIAPHRAGM			
17		125339-42030	1	SCREW			
18		P005-001670	1	REBUILD KIT			
19	+	P005-001000	1	ROLLER, GUIDE			
20	+	125338-13930		PIN, METERING ARM			
21	+	125323-08260		ARM, VALVE			
22	+	P005-000940		SPRING, METER. LEVER			
23	+	125337-08260		VALVE, INLET NEEDLE			
24	+	P005-000010		STRAINER			

4. CARBURETOR



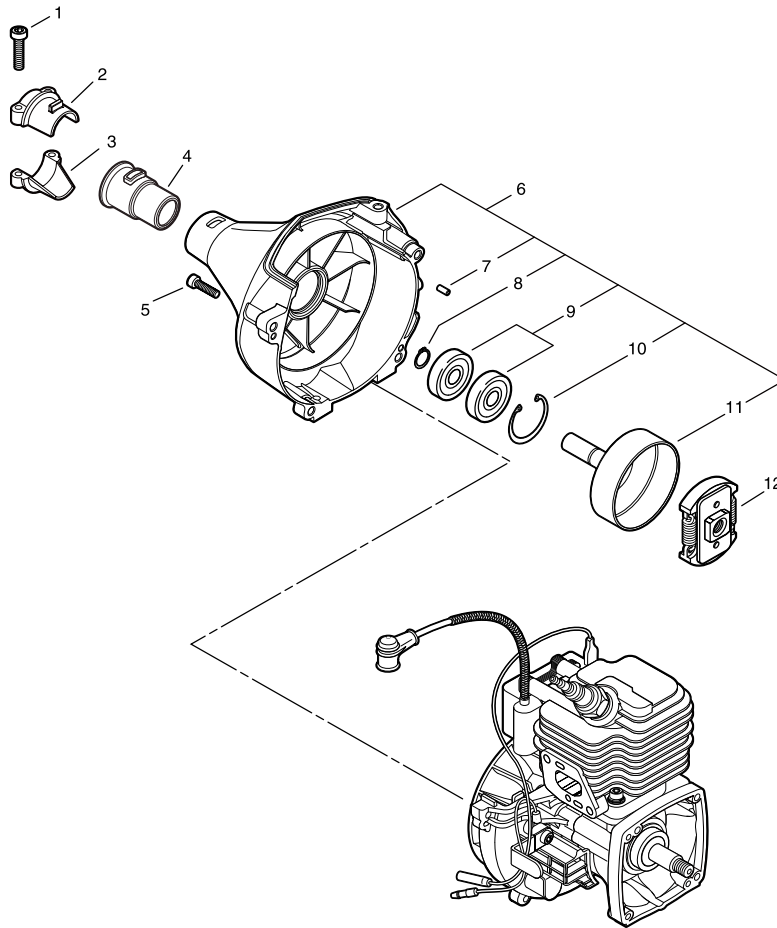
KEY	LV	PART NUMBER	Q'TY	DESCRIPTION	REMARKS	NOTE1	NOTE2
25	+	P005-000510		DIAPHRAGM, PUMP			
26	+	P005-000520		GASKET, PUMP			
27	+	P005-001780		DIAPHRAGM			
28	+	P005-000200		GASKET, METERING			

5. MUFFLER



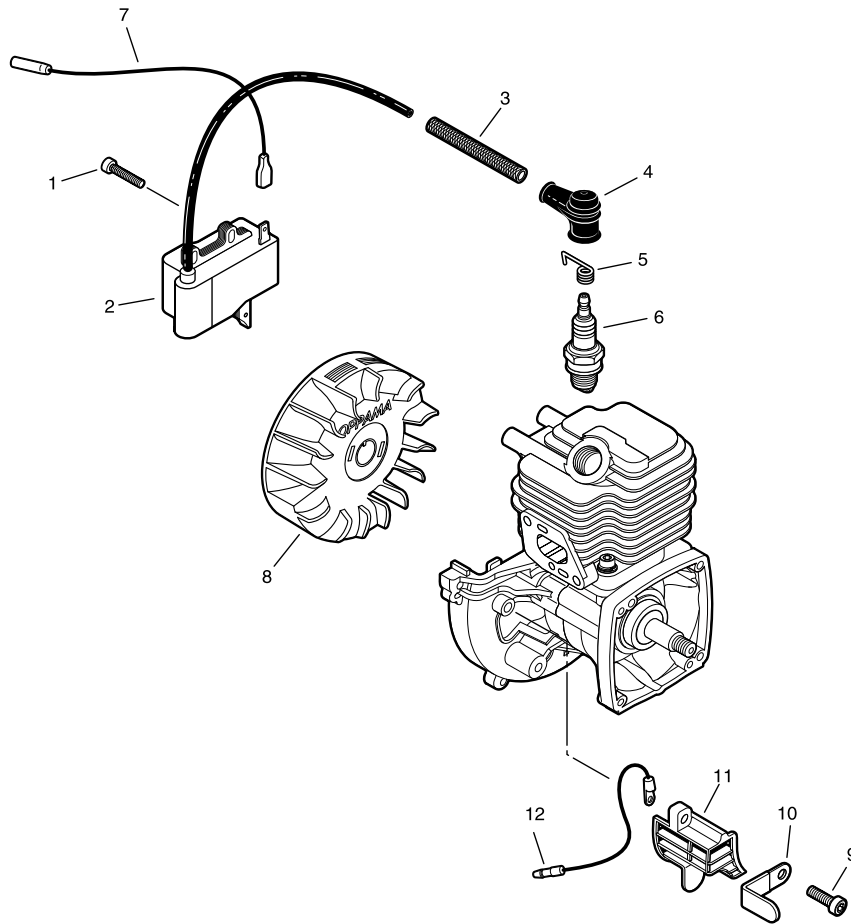
KEY	LV	PART NUMBER	Q'TY	DESCRIPTION	REMARKS	NOTE1	NOTE2
1		V804-000080	5	BOLT, TORX 4	TB4*8		
2		A313-000600	1	GUIDE,EXH			
3		V104-001760	1	GASKET,EXHAUST			
4		145862-40630	1	SCREEN, MUFFLER			
5		V805-000190	2	BOLT, TORX 5	TB-5*55 12.9		
6		V150-000371	1	PLATE,EYE			
7		A300-000810	1	MUFFLER, EXHAUST			
8		V104-000850	1	GASKET,EXHAUST	T1.0		
9		V805-000000	1	BOLT, TORX 5	TT-5*16 DG 10.9		
10		A320-000480	1	COVER,MUFFLER			

6. CLUTCH



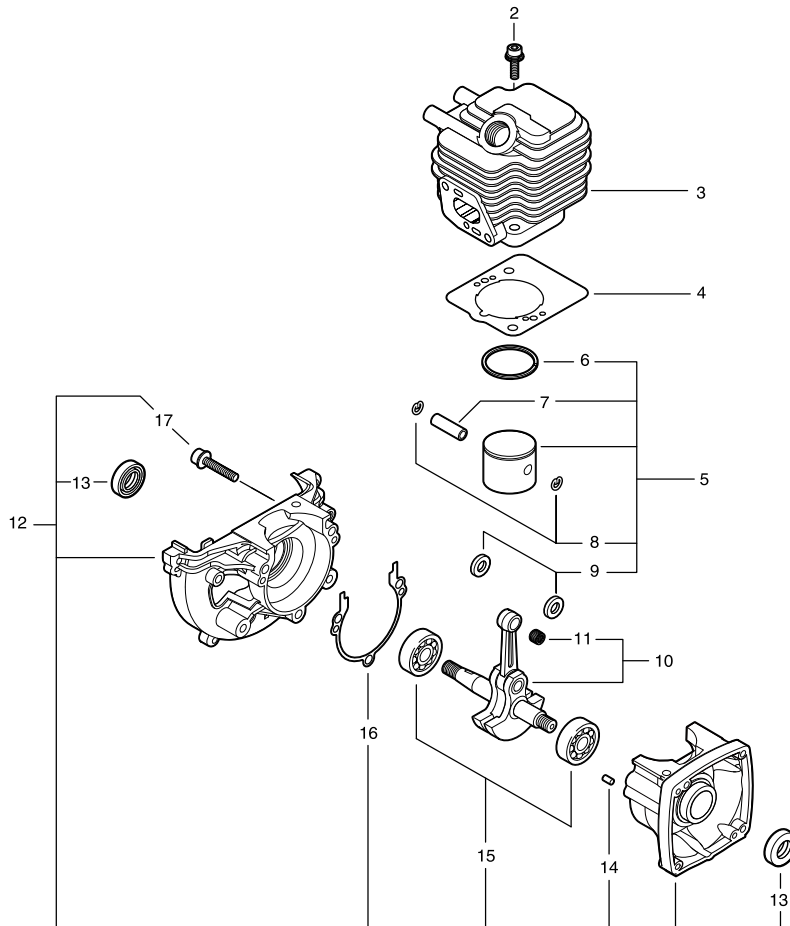
KEY	LV	PART NUMBER	Q'TY	DESCRIPTION	REMARKS	NOTE1	NOTE2
1		V805-000160	2	BOLT, TORX 5	TB-5*20 10.9		
2		610922-27432	1	HOLDER			
3		610923-55230	1	HOLDER			
4		610910-55230	1	CUSHION			
5		V804-000060	4	BOLT, TORX 4	TB-4*16 10.9		
6		P021-033780	1	COVER, FAN ASSY			
7	+	V622-000020	2	PIN, STRAIGHT 4	4*7.8		
8	+	900701-00012	1	CIRCLIP 12	CS-12		
9	+	900807-96001	2	BEARING, BALL 6001	6001		
10	+	900702-00028	1	CIRCLIP 28	CR-28		
11	+	A556-000590	1	DRUM, CLUTCH			
12		A056-000240	1	CLUTCH ASY			

7. MAGNETO



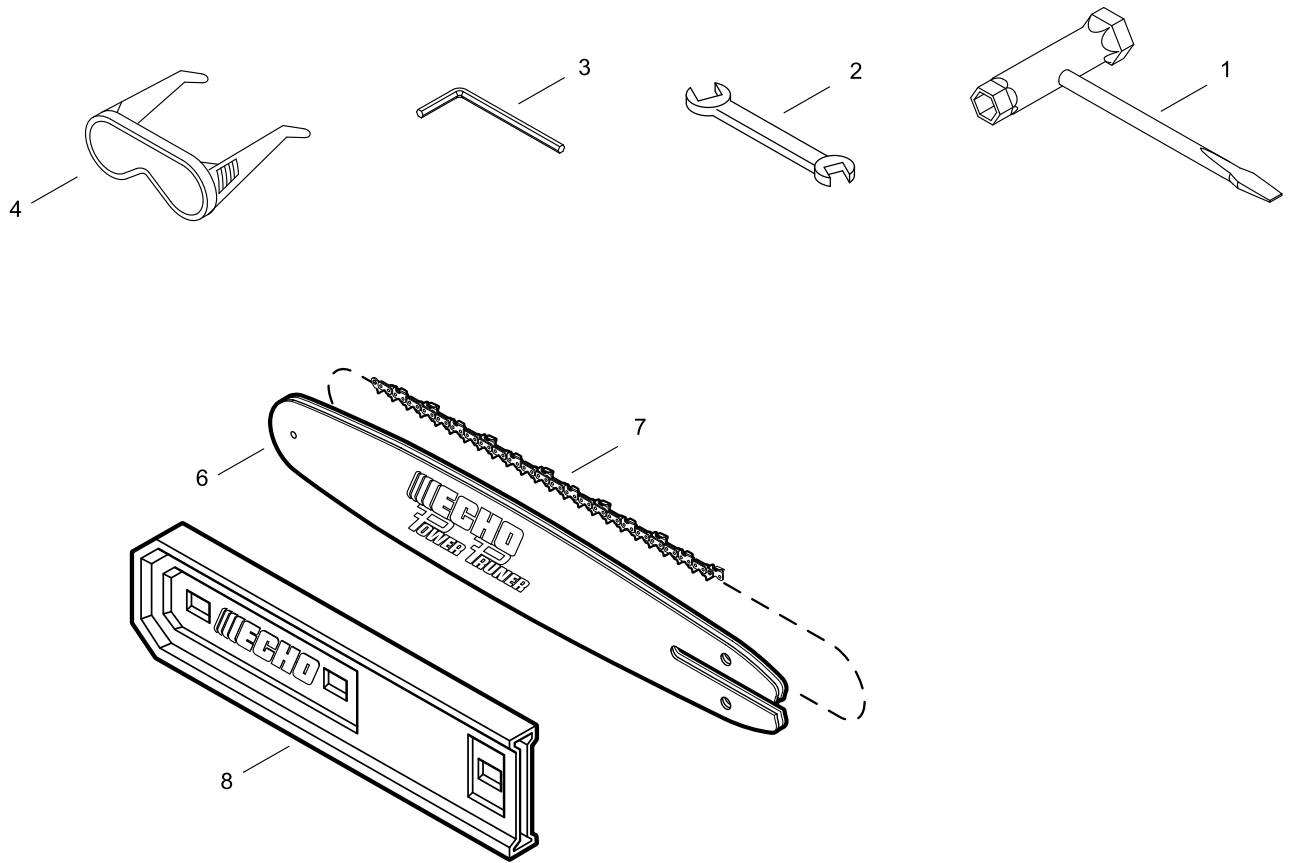
KEY	LV	PART NUMBER	Q'TY	DESCRIPTION	REMARKS	NOTE1	NOTE2
1		V804-000070	2	BOLT, TORX 4	TB-4*20 12.9		
2		A411-000130	1	COIL,IGNITION			
3		V475-004160	1	TUBE	7*8.6*65 HST-10		
4		A427-000013	1	CAP,SPARK PLUG			
5		A426-000010	1	TERMINAL,SPARKPLUG			
6		A425-000000	1	SPARKPLUG	BPMR8Y		
7		V485-001120	1	LEAD	L210 #187 CB104		
8		A409-000210	1	ROTOR,MAGNETO			
9		V805-000150	1	BOLT, TORX 5	TB-5*16 10.9		
10		159116-21231	1	CLAMP			
11		A127-000160	1	COVER,DUST			
12		162014-27230	1	LEAD, GROUND			

8. CRANK CASE, PISTON



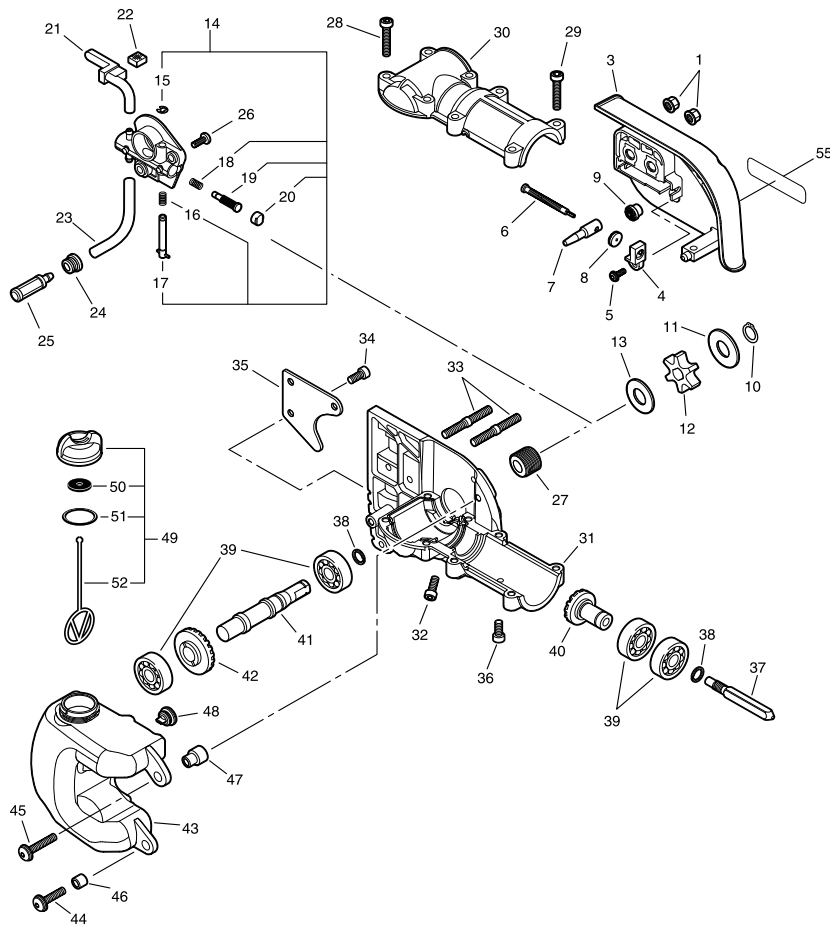
KEY	LV	PART NUMBER	Q'TY	DESCRIPTION	REMARKS	NOTE1	NOTE2
2		900162-05022	2	BOLT, H.S. 5*22	5*22 W,SW		
3		A130-000540	1	CYLINDER			
4		V100-000160	1	GASKET,CYL			
5		P021-007712	1	PISTON KIT			
6	+	A101-000090	1	RING,PISTON			
7	+	100013-11520	1	PIN, PISTON			
8	+	100015-04630	2	CIRCLIP, PISTON PIN			
9	+	100014-11520	2	SPACER, PISTON PIN			
10		A011-000101	1	CRANKSHAFT,ASM			
11	+	V553-000060	1	BEARING,NEEDLE 8	HK0810FMV4		
12		100204-52132	1	CRANKCASE KIT			
13	+	100212-42031	2	OILSEAL	ISCD 12*22*4.5		
14	+	100215-03930	2	PIN, DOWEL			
15	+	94035-36201	2	BEARING BALL	6201X3JR2C3		
16	+	100242-42030	1	GASKET, CRANKCASE			
17	+	900162-05028	3	BOLT, H.S. 5*28	5*28 W,SW		

9. TOOLS



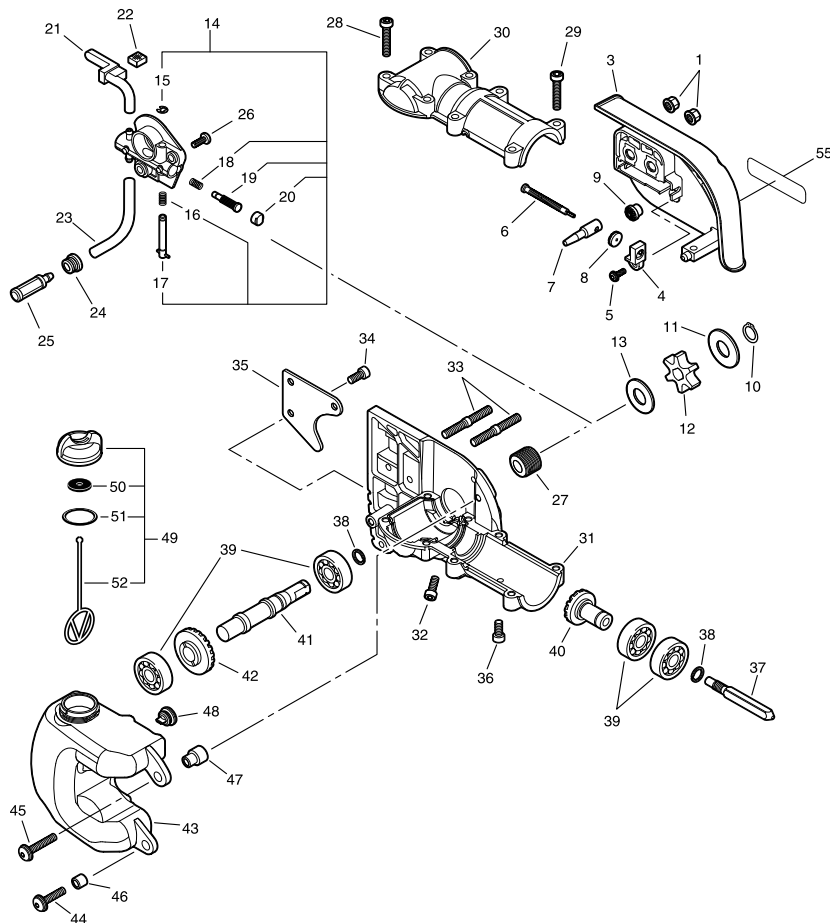
KEY	LV	PART NUMBER	Q'TY	DESCRIPTION	REMARKS	NOTE1	NOTE2
1		895410-39131	1	WRENCH, W/S-DRIVER			
2		895112-00330	1	SPANNER 8*10			
3		X605-000060	1	TOOL,L WRENCH	80*30 T27 2-ENDS		
4		X690-000050	1	GOGGLE	GOGGLE + NOTE		
6		X121-000060	1	BAR,GUIDE 25	10A0CD3739		
7		431610-22461	1	CHAIN,SAW	91VX39CQ		
8		X490-000060	1	SCABBARD,CHAIN			

10. GEAR CASE



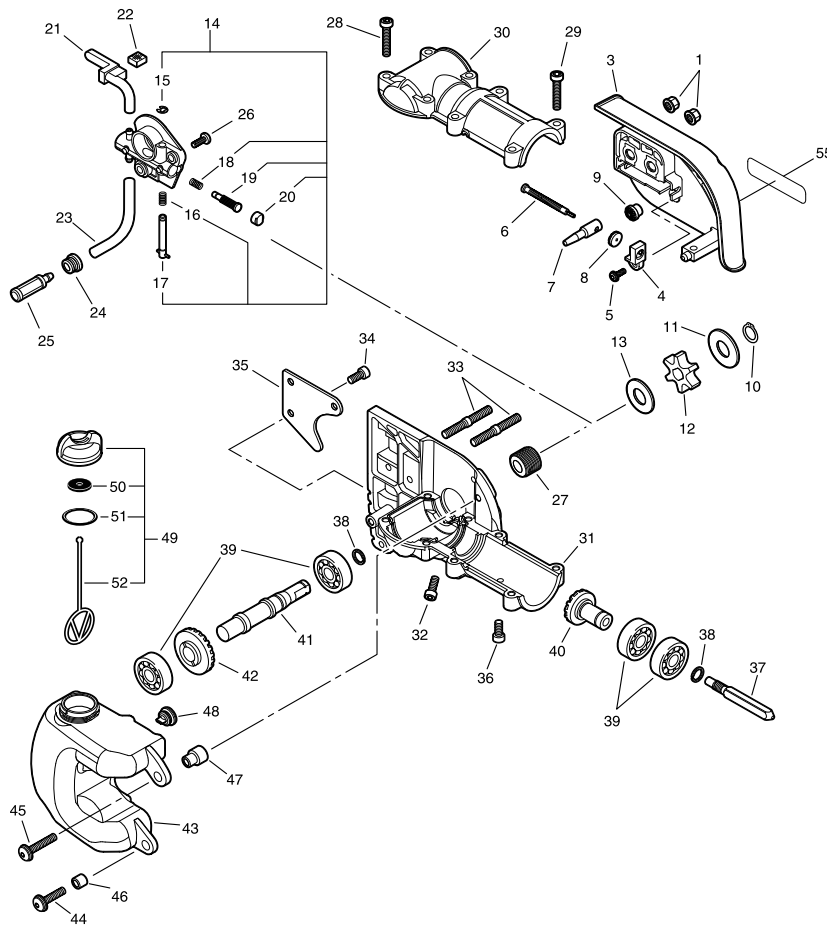
KEY	LV	PART NUMBER	Q'TY	DESCRIPTION	REMARKS	NOTE1	NOTE2
1		433019-03933	2	NUT, FLANGE 6	6		
3		C300-000920	1	GUARD, SPROCKET	COVER W/SCREW		
4		V355-000140	1	COLLAR,8			
5		V252-000040	1	SCREW,4	4*8 PT SCREW		
6		V203-000041	1	BOLT,5			
7		C309-000030	1	TENSIONER,CHAIN			
8		V651-000310	1	GEAR,BEVEL	14 TEETH 3.0 SQ.		
9		V651-000320	1	GEAR,BEVEL	14 TEETH 10MM LG		
10		V583-000090	1	RING	EXTERNAL RING		
11		V307-000160	1	WASHER,CIRCULAR 10	10.2*29.5*T=1.2		
12		C580-000070	1	SPROCKET,DRIVE			
13		175014-39131	1	WASHER, CLUTCH	10.2*24.5*1.2		
14		C022-000010	1	OILER,ASM AUTO			
15	+	125327-15130	1	CLIP			
16	+	P022-010670	1	SPRING			
17	+	P022-010680	1	SCREW ASS'Y, ADJUST			
18	+	P022-010660	1	SPRING			
19	+	P022-010650	1	PLUNGER			
20	+	P022-010640	1	CAP, OIL PUMP			
21		V470-000180	1	PIPE			

10. GEAR CASE



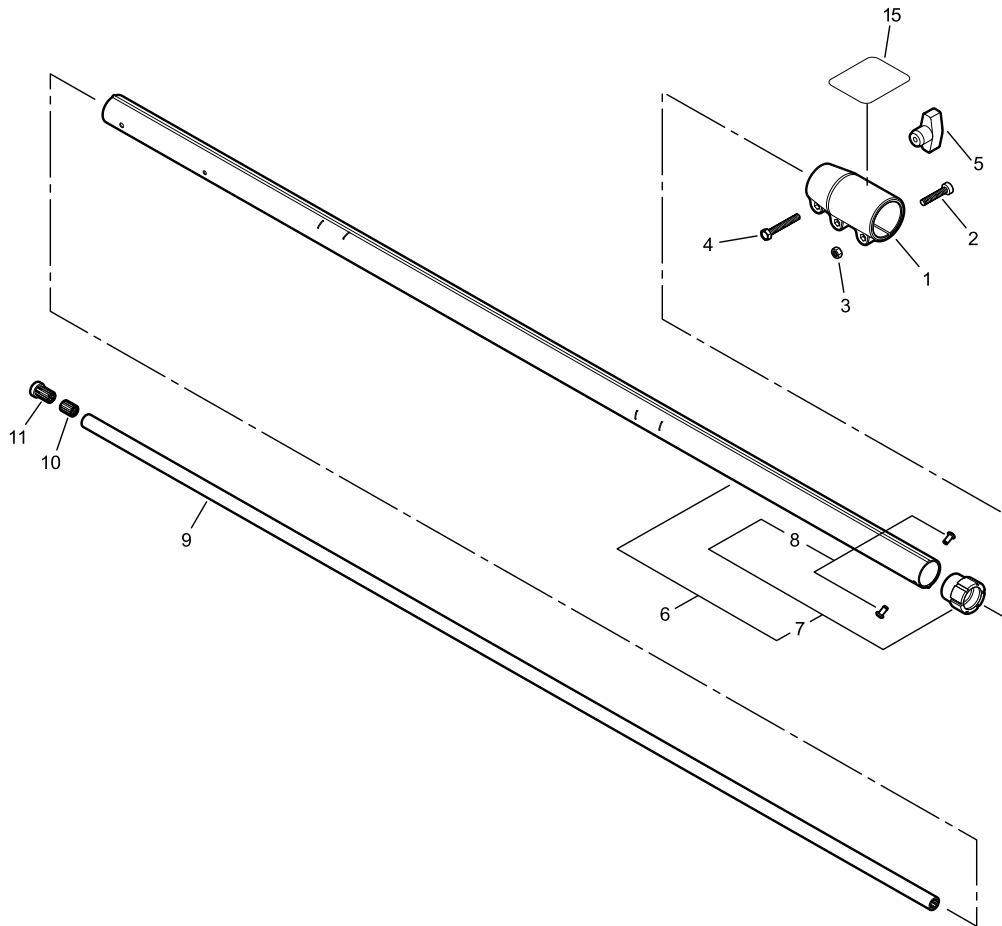
KEY	LV	PART NUMBER	Q'TY	DESCRIPTION	REMARKS	NOTE1	NOTE2
22		437244-39130	1	PAD, FORM			
23		130110-14330	1	PIPE 3*6* 75	3*6*75L		
24		132115-01461	1	GROMMET			
25		436205-02832	1	STRAINER, OIL			
26		V805-000130	2	BOLT, TORX 5	TB-5*10 10.9		
27		437063-38330	1	GEAR, WORM			
28		V805-000170	8	BOLT, TORX 5	TB-5*25 10.9		
30		C531-000030	1	CASE, GEAR			
31		C531-000430	1	CASE, GEAR	LOWER		
32		V253-000200	1	SCREW, 5	M5*10 PAN MS		
33		V224-000040	2	BOLT, STUD 6	15MM*19MM M6		
34		V805-000130	3	BOLT, TORX 5	TB-5*10 10.9		
35		C649-000140	1	HOOK	BRANCH HOOK		
36		V805-000130	1	BOLT, TORX 5	TB-5*10 10.9		
37		610025-22361	1	CONNECTOR, SHAFT			
38		900706-00012	1	CIRCLIP 12	WR-12		
39		94052-06001	4	BEARING BALL	PEER LLU, DDU 2RS		
40		V651-000210	1	GEAR, BEVEL	MG 0600.2259		
41		C534-000430	1	SHAFT, GEAR			
42		V651-000201	1	GEAR, BEVEL	MG 0600.2259		
43		C200-000081	1	TANK, OIL	POWER PRUNER		
44		V805-000160	2	BOLT, TORX 5	TB-5*20 10.9		
45		V805-000170	1	BOLT, TORX 5	TB-5*25 10.9		
46		131045-28230	2	COLLAR			
47		V354-000010	1	COLLAR, 6			

10. GEAR CASE



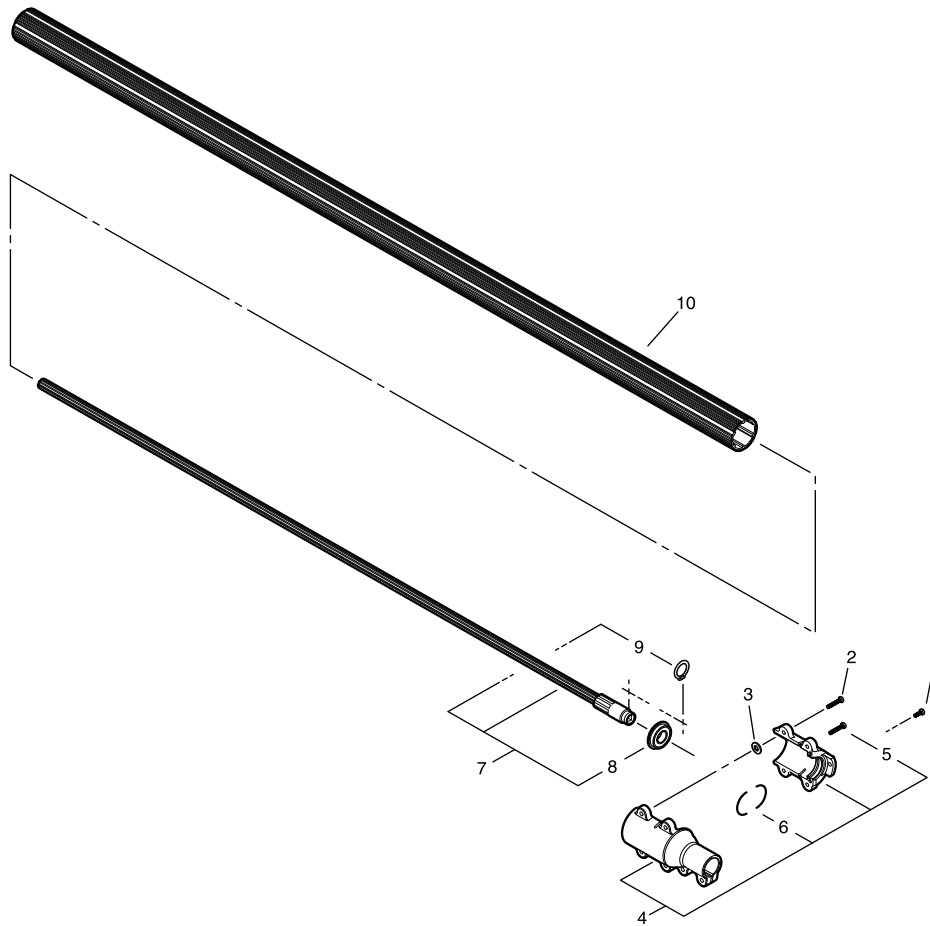
KEY	LV	PART NUMBER	Q'TY	DESCRIPTION	REMARKS	NOTE1	NOTE2
48		131314-06320	1	VALVE, CHECK			
49		P021-014940	1	CAP ASSY, OIL			
50	+	436012-37830	1	GASKET, CIRCULAR			
51	+	900720-00018	1	O-RING 18	P-18		
52	+	A365-000050	1	CONNECTOR,CAP			
55		X502-000600	1	LABEL,ECHO	48MM*15MM + ECHO		

11. MAIN PIPE



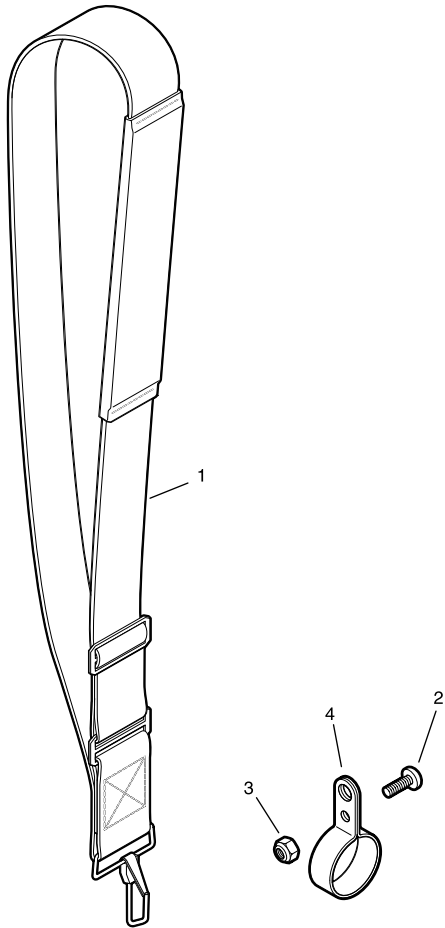
KEY	LV	PART NUMBER	Q'TY	DESCRIPTION	REMARKS	NOTE1	NOTE2
1		C510-000280	1	COUPLING, MAIN PIPE			
2		V805-000160	2	BOLT, TORX 5	TB-5*20 10.9		
3		900500-00005	2	NUT 5	5		
4		900100-06025	1	BOLT 6*25	6*25		
5		V299-000321	1	KNOB,FASTENER	M6X1.0 THREAD		
6		C050-000760	1	PIPE, MAIN			
7	+	C503-000080	1	HOLDER, BEARING	HOLDER ASSEMBLY		
8	++	890011-22360	2	RIVET			
9		C504-000360	1	SHAFT, DRIVE	OUTER DRIVESHAFT		
10		C509-000090	1	SOCKET,SHAFT	DRIVE SIDE		
11		C509-000080	1	SOCKET, SHAFT	12.2*16.5*25.4		
15		X505-002371	1	LABEL,CAUTION	15M-50FT PRUNER		

12. MAIN PIPE



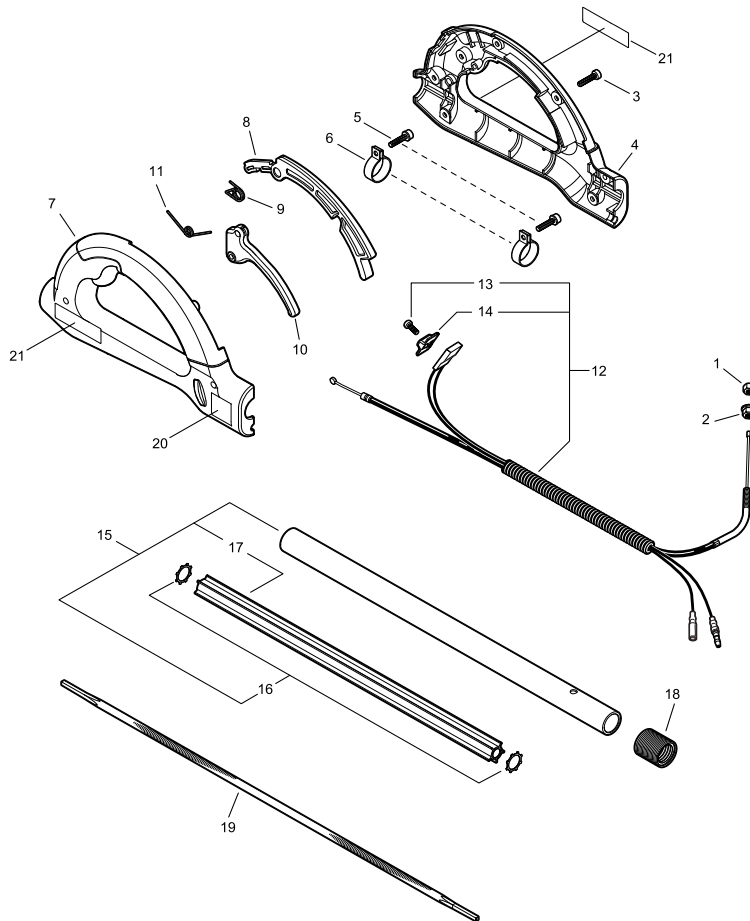
KEY	LV	PART NUMBER	Q'TY	DESCRIPTION	REMARKS	NOTE1	NOTE2
1		V805-000140	1	BOLT, TORX 5	TB-5*12 10.9		
2		V805-000160	4	BOLT, TORX 5	TB-5*20 10.9		
3		V303-000071	2	WASHER,CIRCULAR 5	5.4MM*15MM*1MM		
4		C510-000192	1	COUPLING, MAIN PIPE			
5	+	V805-000160	2	BOLT, TORX 5	TB-5*20 10.9		
6	+	V420-001810	2	CUSHION	OD 3.53MM*42 LNG		
7		C504-000372	1	SHAFT, DRIVE	CORE/SHAFT ASSY		
8	+	94057-36002	1	BEARING, BALL	PEER LLU,DDU		
9	+	100229-22460	1	RING			
10		C500-000271	1	PIPE, MAIN			

13. HARNESS



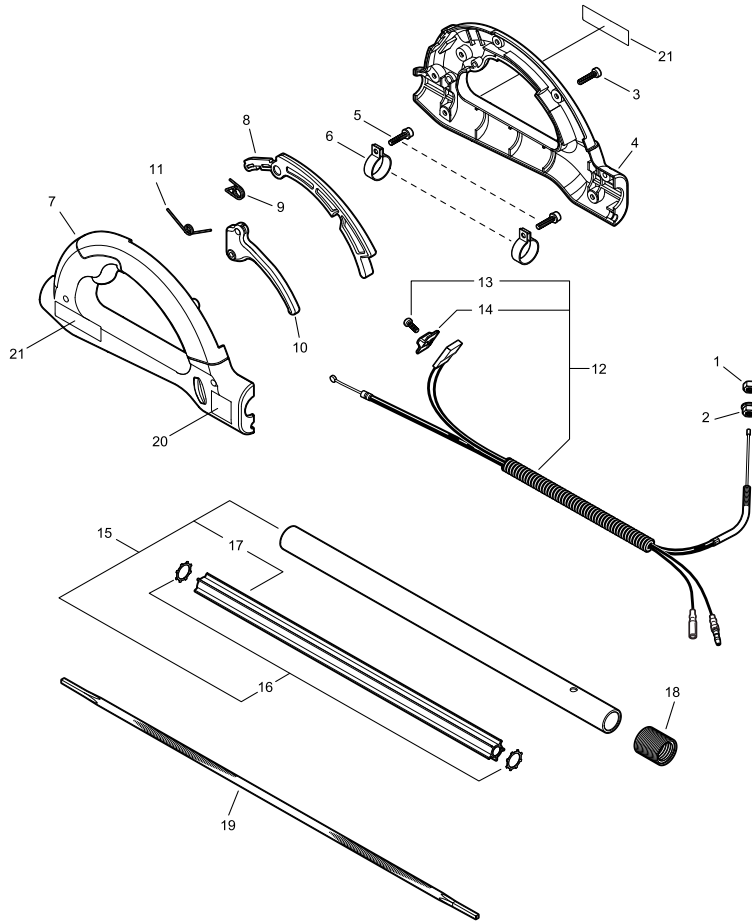
KEY	LV	PART NUMBER	Q'TY	DESCRIPTION	REMARKS	NOTE1	NOTE2
1		301000-22060	1	HARNESS ASY, SHOULDER			
2		V805-000130	1	BOLT, TORX 5	TB-5*10 10.9		
3		V263-000080	1	NUT, 5	M5*0.8 LOCK NUT		
4		300610-22061	1	BRACKET, HARNESS	24.69/24.84 I.D.		

14. THROTTLE LEVER



KEY	LV	PART NUMBER	Q'TY	DESCRIPTION	REMARKS	NOTE1	NOTE2
1		900502-00006	1	NUT 6 (3N)	3N6		
2		900515-00006	1	NUT, FLANGE 6	6		
3		V805-000000	7	BOLT, TORX 5	TT-5*16 DG 10.9		
4		C041-000000	1	HANDLE,ASM REAR	OVERMOLD - RIGHT		
5		V805-000130		BOLT, TORX 5	TB-5*10 10.9		
6		V495-000680	2	BAND			
7		C041-000011	1	HANDLE,ASM REAR	OVERMOLD - LEFT		
8		C460-000100	1	LOCKOUT, THROTTLE	PPT HANDLE		
9		V452-000340	1	SPRING,TORSION	10.5MM I.D.		
10		C450-000260	1	CONTROL, THROTTLE	PPT HANDLE		
11		V452-000330	1	SPRING,TORSION	30MM*8 DIA.*30MM		
12		P021-033760	1	CABLE ASY, CONTROL			
13	+	91545-03010	1	SCREW TAPTITE-P			
14	+	A444-000020	1	KNOB,SWITCH	ACT3020-14F		
15		C050-000770	1	PIPE, MAIN	LOWER PIPE ASSY		
16	+	V583-000110	2	RING	.625ID * .875OD		
17	+	C507-000160	1	LINER, FLEXIBLE	L=410MM		
18		V475-004000	1	TUBE	25MM*32MM*35M M		

14. THROTTLE LEVER



KEY	LV	PART NUMBER	Q'TY	DESCRIPTION	REMARKS	NOTE1	NOTE2
19		C506-000140	1	SHAFT, FLEXIBLE	6.8 BOTH ENDS		
20		X505-002361	1	LABEL, CAUTION	4-ISO SYMBOLS		
21		X502-000610	2	LABEL, ECHO	62MM*16MM + ECHO		

Index

Patrs Number	Key No.	Patrs Number	Key No.	Patrs Number	Key No.
100013-11520	8 - 7	890332-52730	1 - 24	C041-000011	14 - 7
100014-11520	8 - 9	895112-00330	9 - 2	C050-000760	11 - 6
100015-04630	8 - 8	895410-39131	9 - 1	C050-000770	14 - 15
100204-52132	8 - 12	900100-06025	11 - 4	C200-000081	10 - 43
100212-42031	8 - 13	900162-05022	8 - 2	C300-000920	10 - 3
100215-03930	8 - 14	900162-05028	8 - 17	C309-000030	10 - 7
100229-22460	12 - 9	900500-00005	3 - 5	C450-000260	14 - 10
100242-42030	8 - 16	900500-00005	11 - 3	C460-000100	14 - 8
125323-08260	4 - 21	900502-00006	14 - 1	C500-000271	12 - 10
125327-15130	10 - 15	900515-00006	14 - 2	C503-000080	11 - 7
125337-08260	4 - 23	900603-00005	1 - 5	C504-000360	11 - 9
125338-13930	4 - 20	900603-00005	2 - 2	C504-000372	12 - 7
125339-42030	4 - 17	900701-00012	6 - 8	C506-000140	14 - 19
125342-52130	4 - 16	900702-00028	6 - 10	C507-000160	14 - 17
125344-13931	4 - 1	900706-00012	10 - 38	C509-000080	11 - 11
125344-52130	4 - 2	900720-00018	10 - 51	C509-000090	11 - 10
125344-52130	4 - 15	900807-96001	6 - 9	C510-000192	12 - 4
125381-08660	4 - 12	91545-03010	14 - 13	C510-000280	11 - 1
129011-52730	3 - 6	94035-36201	8 - 15	C531-000030	10 - 30
130017-44331	3 - 11	94052-06001	10 - 39	C531-000430	10 - 31
130110-14330	10 - 23	94057-36002	12 - 8	C534-000430	10 - 41
131016-55830	2 - 13	A011-000101	8 - 10	C580-000070	10 - 12
131045-28230	10 - 46	A021-001690	3 - 8	C649-000140	10 - 35
131205-07320	2 - 11	A021-001690	4 -	P005-000010	4 - 24
131314-06320	10 - 48	A051-001311	1 - 8	P005-000100	4 - 5
132012-56030	2 - 9	A052-000180	1 - 17	P005-000190	4 - 4
132013-09820	2 - 6	A056-000240	6 - 12	P005-000200	4 - 28
132115-01461	10 - 24	A101-000090	8 - 6	P005-000250	4 - 11
145862-40630	5 - 4	A127-000160	7 - 11	P005-000270	4 - 13
159116-21231	7 - 10	A130-000540	8 - 3	P005-000280	4 - 7
162014-27230	7 - 12	A160-001090	1 - 1	P005-000510	4 - 25
175014-39131	10 - 13	A226-001410	3 - 3	P005-000520	4 - 26
177228-27030	1 - 14	A232-000480	3 - 2	P005-000940	4 - 22
177234-12220	1 - 19	A300-000810	5 - 7	P005-001000	4 - 19
177236-61830	1 - 9	A313-000600	5 - 2	P005-001240	4 - 3
177246-11120	1 - 13	A320-000480	5 - 10	P005-001260	4 - 9
300610-22061	13 - 4	A350-000830	2 - 3	P005-001270	4 - 8
301000-22060	13 - 1	A356-000031	2 - 7	P005-001670	4 - 18
431610-22461	9 - 7	A365-000050	10 - 52	P005-001780	4 - 27
433019-03933	10 - 1	A365-000060	2 - 14	P005-001890	4 - 14
436012-37830	10 - 50	A409-000210	7 - 8	P005-001900	4 - 10
436205-02832	10 - 25	A411-000130	7 - 2	P005-002050	4 - 6
437063-38330	10 - 27	A425-000000	7 - 6	P021-007712	8 - 5
437244-39130	10 - 22	A426-000010	7 - 5	P021-012210	2 - 12
610025-22361	10 - 37	A427-000013	7 - 4	P021-012870	3 - 7
610910-55230	6 - 4	A444-000020	14 - 14	P021-014940	10 - 49
610922-27432	6 - 2	A556-000590	6 - 11	P021-033760	14 - 12
610923-55230	6 - 3	C022-000010	10 - 14	P021-033780	6 - 6
890011-22360	11 - 8	C041-000000	14 - 4	P022-002100	1 - 18

Index

Patrs Number	Key No.	Patrs Number	Key No.	Patrs Number	Key No.
P022-006830	1 - 15	V804-000060	6 - 5		
P022-006850	1 - 20	V804-000070	7 - 1		
P022-008270	1 - 11	V804-000080	5 - 1		
P022-008280	1 - 10	V805-000000	1 - 3		
P022-010640	10 - 20	V805-000000	1 - 6		
P022-010650	10 - 19	V805-000000	5 - 9		
P022-010660	10 - 18	V805-000000	14 - 3		
P022-010670	10 - 16	V805-000100	3 - 4		
P022-010680	10 - 17	V805-000130	10 - 26		
P022-019680	1 - 16	V805-000130	10 - 34		
P022-019990	1 - 12	V805-000130	10 - 36		
V100-000160	8 - 4	V805-000130	13 - 2		
V103-000480	3 - 9	V805-000130	14 - 5		
V103-000490	3 - 12	V805-000140	12 - 1		
V104-000850	5 - 8	V805-000150	1 - 2		
V104-001760	5 - 3	V805-000150	7 - 9		
V137-000030	2 - 5	V805-000160	1 - 4		
V150-000371	5 - 6	V805-000160	2 - 1		
V203-000041	10 - 6	V805-000160	3 - 10		
V224-000040	10 - 33	V805-000160	6 - 1		
V252-000040	10 - 5	V805-000160	10 - 44		
V253-000200	10 - 32	V805-000160	11 - 2		
V263-000080	13 - 3	V805-000160	12 - 2		
V299-000250	3 - 1	V805-000160	12 - 5		
V299-000321	11 - 5	V805-000170	10 - 28		
V303-000071	12 - 3	V805-000170	10 - 45		
V307-000160	10 - 11	V805-000190	5 - 5		
V353-000231	2 - 4	X121-000060	9 - 6		
V354-000010	10 - 47	X490-000060	9 - 8		
V355-000140	10 - 4	X502-000330	1 - 25		
V420-001810	12 - 6	X502-000600	10 - 55		
V452-000330	14 - 11	X502-000610	14 - 21		
V452-000340	14 - 9	X505-002310	1 - 23		
V470-000180	10 - 21	X505-002361	14 - 20		
V470-000840	2 - 10	X505-002371	11 - 15		
V471-001210	2 - 8	X547-001631	1 - 22		
V475-004000	14 - 18	X605-000060	9 - 3		
V475-004160	7 - 3	X690-000050	9 - 4		
V485-001120	7 - 7				
V495-000680	14 - 6				
V553-000060	8 - 11				
V583-000090	10 - 10				
V583-000110	14 - 16				
V622-000020	6 - 7				
V651-000201	10 - 42				
V651-000210	10 - 40				
V651-000310	10 - 8				
V651-000320	10 - 9				
V804-000060	1 - 7				

YAMABIKO CORPORATION

7-2 SUEHIROCHO 1-CHOME, OHME, TOKYO 198-8760, JAPAN
PHONE: 81-428-32-6118. FAX: 81-428-32-6145.

ECHO®



11Gb
No. 37-016