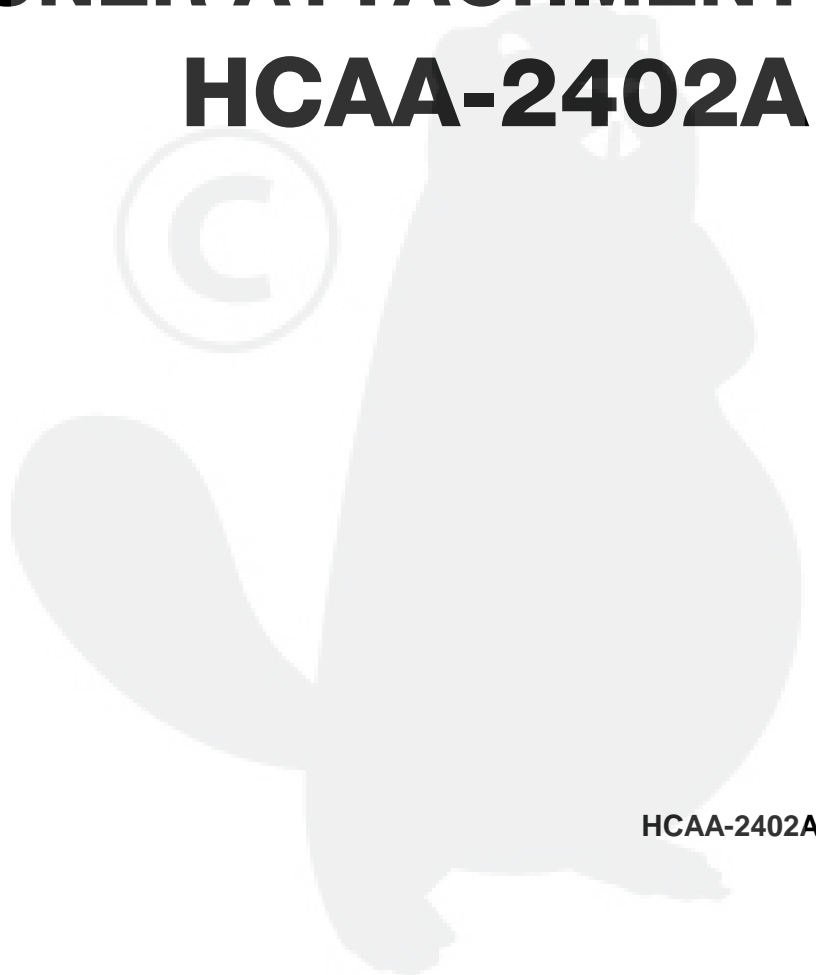




PARTS CATALOG

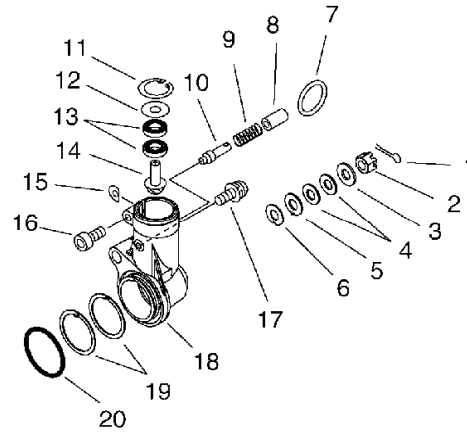
POWER PRUNER ATTACHMENT

HCAA-2402A



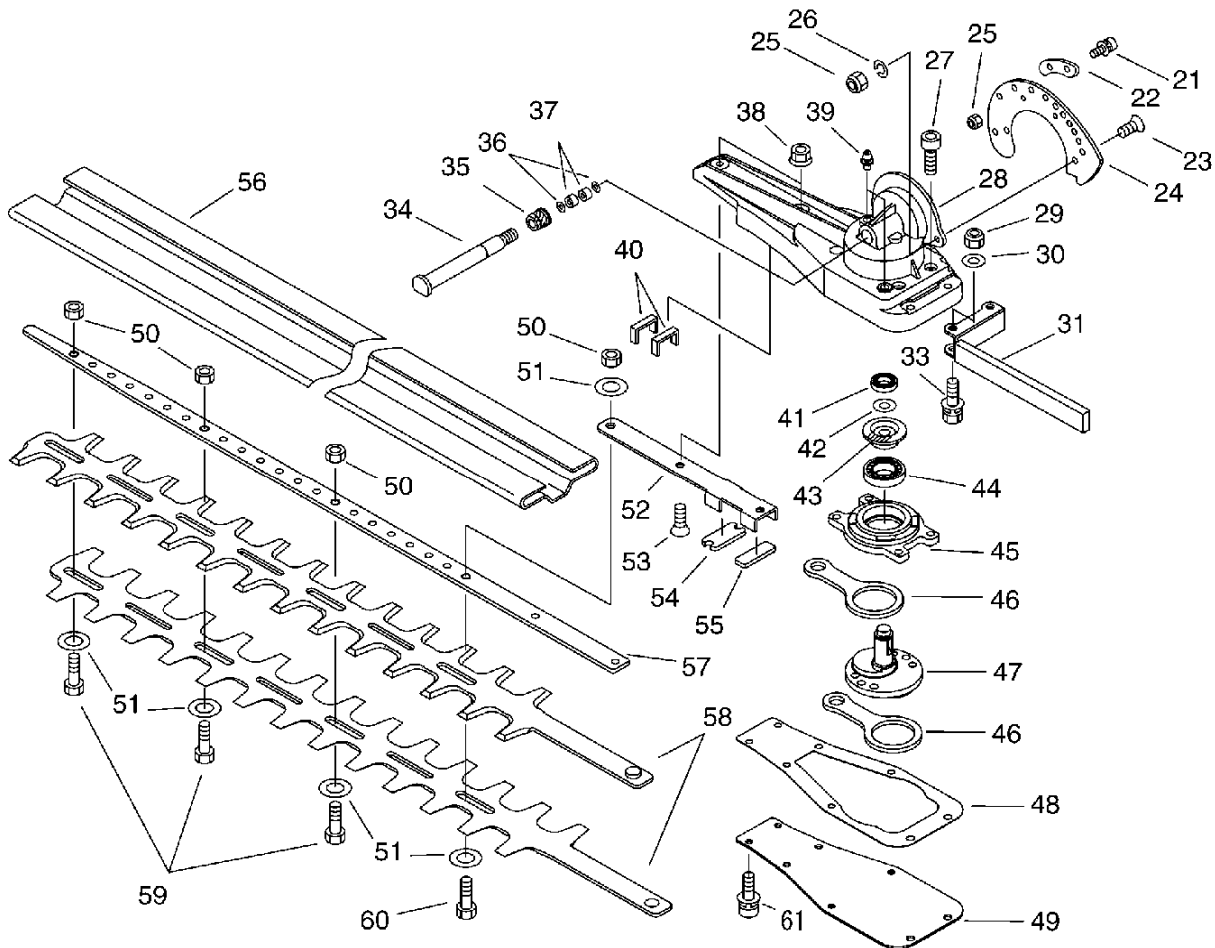
HCAA-2402A

1-1. GEAR CASE, CUTTER



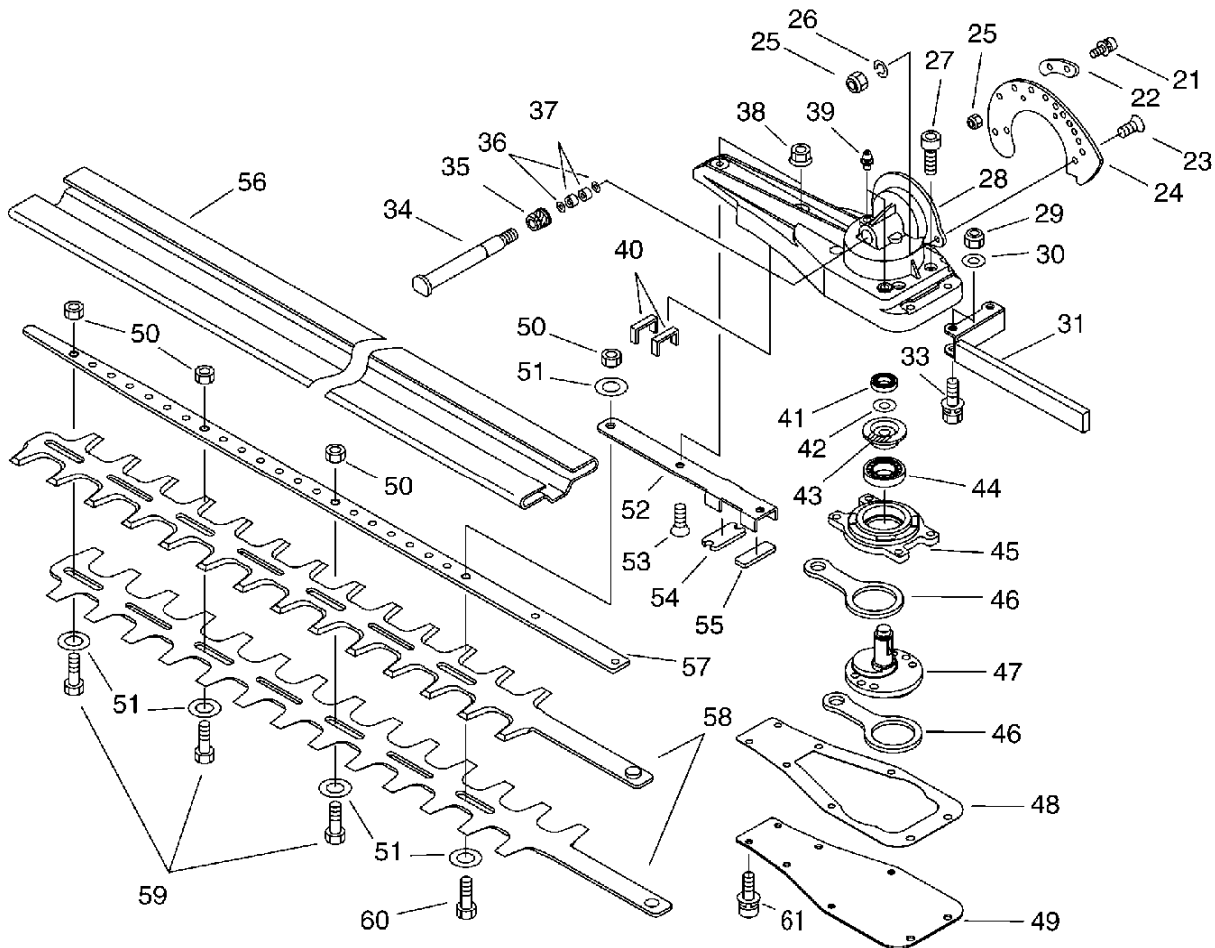
KEY	LV	PART NUMBER	Q'TY	DESCRIPTION	REMARKS	NOTE1	NOTE2
		P021-010520	1	CASE ASY, GEAR			
1	+	93000-16180	1	PIN SPLIT	P-1.6*18		
2	+	900529-00008	1	NUT, SLOTT 8			
3	+	V306-000140	1	WASHER,CIRCULAR 8			
4	+	V347-000010	2	WASHER,CONICAL			
5	+	V340-000110	1	WASHER			
6	+	V110-000040	1	GASKET,GEAR CASE	CIRCULAR 17MM OD		
7	+	V583-000050	1	RING			
8	+	V355-000310	1	COLLAR,8			
9	+	V450-000420	1	SPRING,COMPRESSION			
10	+	V642-000020	1	PIN,LINCH			
11	+	900702-00022	1	CIRCLIP 22	CR-22		
12	+	V583-000060	1	RING			
13	+	900859-06900	2	BEARING, BALL 6900	6900		
14	+	V651-000240	1	GEAR,BEVEL	12 TEETH		
15	+	V340-000170	1	WASHER			
16	+	900162-05025	1	BOLT, H.S. 5*25	5*25 W,SW		
17	+	900242-05012	1	SCREW 5*12	5*12		
18	+	C531-000292	1	CASE,GEAR			
19	+	V340-000120	2	WASHER			
20	+	900724-00032	1	O-RING	S-32		

1-2. GEAR CASE, CUTTER



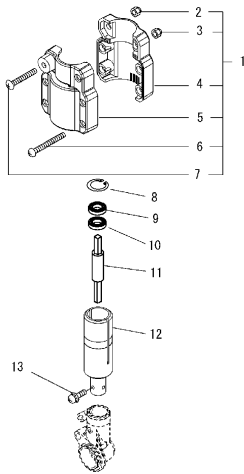
KEY	LV	PART NUMBER	Q'TY	DESCRIPTION	REMARKS	NOTE1	NOTE2
21	+	900162-04012	2	BOLT, H.S. 4*12	4*12 W,SW		
22	+	C629-000020	1	STOPPER, ROTATION			
23	+	900212-04012	2	SCREW 4*12	+SF4*12		
24	+	C465-000010	1	RESETTER, LATCH			
25	+	900560-00004	4	LOCKNUT	4		
26	+	900605-00004	2	WASHER, SPRING 4	4		
27	+	900105-05008	4	BOLT, H.S. 5*8	5*8		
28	+	C531-000302	1	CASE, GEAR	DRIVEN SIDE		
29	+	900560-00005	2	NUT, LOCK 5	5		
30	+	900600-00005	2	WASHER 5	5		
31	+	E155-000050	1	HANDLE			
33	+	900142-05028	2	BOLT 5*28 (W/W,SW)	5*28		
34	+	C534-000260	1	SHAFT, GEAR			
35	+	V651-000250	1	GEAR, BEVEL	25 TEETH		
36	+	V307-000150	2	WASHER, CIRCULAR 10	10.2*15.5*T=1		
37	+	V555-000040	2	BEARING, NEEDLE 10			
38	+	900516-00005	2	NUT, FRANGE 5	5		
39	+	880110-10860	2	NIPPLE, GREASE			
40	+	V541-000130	2	SEAL			
41	+	900855-06900	1	BEARING, BALL 6900	6900		
42	+	V583-000040	1	RING			
43	+	V651-000260	1	GEAR, BEVEL	35 TEETH		
44	+	900800-06001	1	BEARING, BALL 6001	6001		
45	+	C503-000072	1	HOLDER, BEARING	28 BEARING SEAT		

1-2. GEAR CASE, CUTTER



KEY	LV	PART NUMBER	Q'TY	DESCRIPTION	REMARKS	NOTE1	NOTE2
46	+	C532-000140	2	ROD, CONNECTING	YAMASAKI		
47	+	C533-000041	1	CAM	HCA		
48	+	V110-000051	1	GASKET, GEAR CASE	HCA GEARCASE		
49	+	C539-000010	1	LID, GEARCASE	LID		
50	+	433022-06460	4	NUT	HCA-260 G.C.		
51	+	699118-04560	5	WASHER			
52	+	C538-000120	1	GUIDE, CUTTER			
53	+	900212-05020	2	SCREW 5*20	+SF5*20		
54	+	C538-000110	1	GUIDE, CUTTER			
55	+	C538-000100	1	GUIDE, CUTTER			
56	+	X495-000060	1	SCABBARD, BLADE	19.5		
57	+	X425-000220	1	SUPPORT, CUTTER	T=3.0		
58	+	X411-000350	2	CUTTER	L= 570		
59	+	699115-04660	3	BOLT 6	6*18L		
60	+	699115-07760	1	BOLT, CUTTER			
61	+	900162-04014	6	BOLT, H.S. 4*14	4*14 W,SW		

2. CONNECTOR



KEY	LV	PART NUMBER	Q'TY	DESCRIPTION	REMARKS	NOTE1	NOTE2
1		610295-22260	1	COLLAR, MAIN PIPE			
2	+	900031-00100	1	LOCKNUT			
3	+	900031-50100	5	LOCKNUT			
4	+	610282-22360	1	COLLAR, MAIN PIPE			
5	+	610282-22460	1	COLLAR, MAIN PIPE			
6	+	900053-00400	5	SCREW			
7	+	900065-00300	1	SCREW, TRUSS			
8		900702-00032	1	CIRCLIP 32	CR-32		
9		94054-06201	1	BEARING, BALL	BB6201ZZ PEER		
10		94050-06201	1	BEARING, BALL	BB6201 PEER		
11		C505-000230	1	CONNECTOR, SHAFT	SQ.5.4, SQ.6.35		
12		C574-000000	1	CONNECTOR, POLE	25MM - 35MM		
13		900242-05010	1	SCREW 5*10	5*10		

Index

Patrs Number	Key No.	Patrs Number	Key No.	Patrs Number	Key No.
433022-06460	## - 50	C629-000020	## - 22		
610282-22360	2 - 4	E155-000050	## - 31		
610282-22460	2 - 5	P021-010520	## -		
610295-22260	2 - 1	V110-000040	## - 6		
699115-04660	## - 59	V110-000051	## - 48		
699115-07760	## - 60	V306-000140	## - 3		
699118-04560	## - 51	V307-000150	## - 36		
880110-10860	## - 39	V340-000110	## - 5		
900031-00100	2 - 2	V340-000120	## - 19		
900031-50100	2 - 3	V340-000170	## - 15		
900053-00400	2 - 6	V347-000010	## - 4		
900065-00300	2 - 7	V355-000310	## - 8		
900105-05008	## - 27	V450-000420	## - 9		
900142-05028	## - 33	V541-000130	## - 40		
900162-04012	## - 21	V555-000040	## - 37		
900162-04014	## - 61	V583-000040	## - 42		
900162-05025	## - 16	V583-000050	## - 7		
900212-04012	## - 23	V583-000060	## - 12		
900212-05020	## - 53	V642-000020	## - 10		
900242-05010	2 - 13	V651-000240	## - 14		
900242-05012	## - 17	V651-000250	## - 35		
900516-00005	## - 38	V651-000260	## - 43		
900529-00008	## - 2	X411-000350	## - 58		
900560-00004	## - 25	X425-000220	## - 57		
900560-00005	## - 29	X495-000060	## - 56		
900600-00005	## - 30				
900605-00004	## - 26				
900702-00022	## - 11				
900702-00032	2 - 8				
900724-00032	## - 20				
900800-06001	## - 44				
900855-06900	## - 41				
900859-06900	## - 13				
93000-16180	## - 1				
94050-06201	2 - 10				
94054-06201	2 - 9				
C465-000010	## - 24				
C503-000072	## - 45				
C505-000230	2 - 11				
C531-000292	## - 18				
C531-000302	## - 28				
C532-000140	## - 46				
C533-000041	## - 47				
C534-000260	## - 34				
C538-000100	## - 55				
C538-000110	## - 54				
C538-000120	## - 52				
C539-000010	## - 49				
C574-000000	2 - 12				

YAMABIKO CORPORATION

7-2 SUEHIROCHO 1-CHOME, OHME, TOKYO 198-8760, JAPAN
PHONE: 81-428-32-6118. FAX: 81-428-32-6145.

ECHO[®]



402A
No.