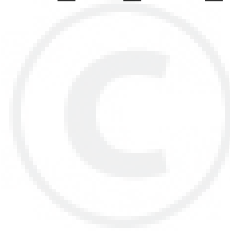




PARTS CATALOG

POWER PRUNER

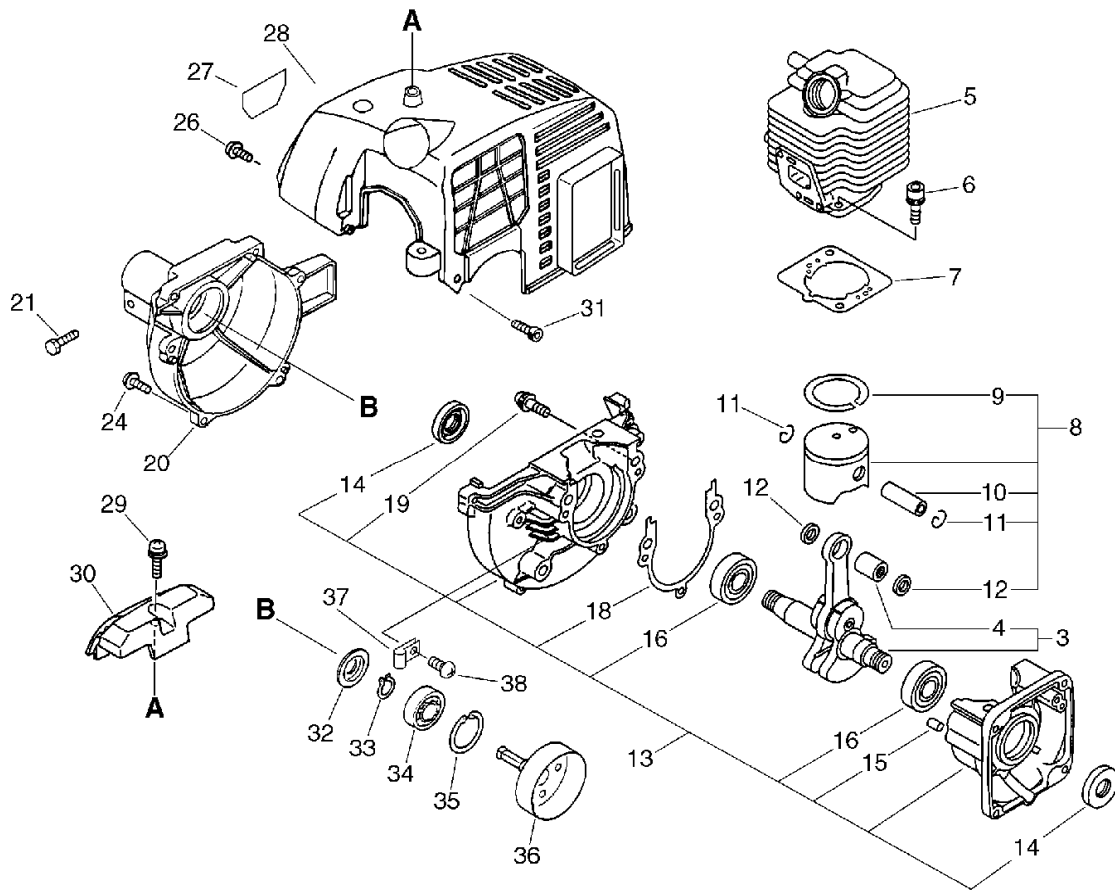
PPT-2100(36)



- 36005649

PPT-2100(36)

1. Cylinder, Crankcase, Piston, Fan Cover(Sr/Nr 36004952 and before)

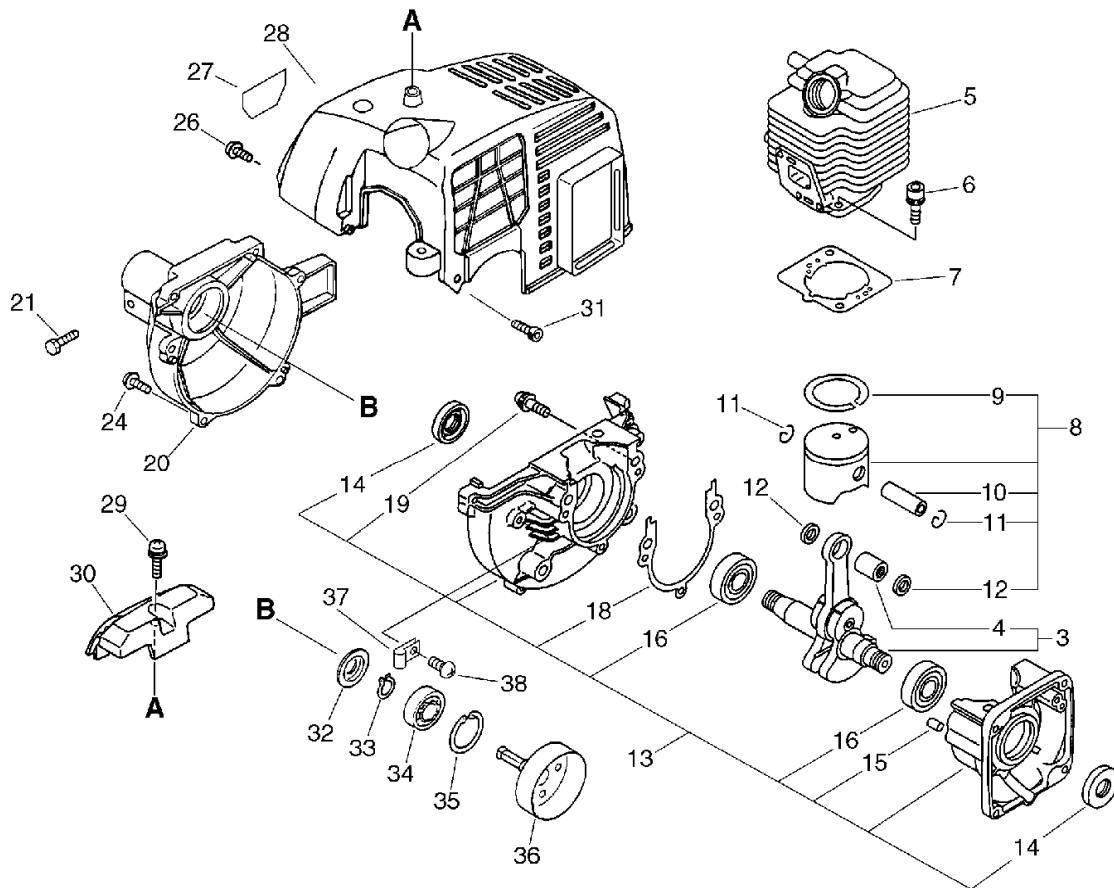


KEY	LV	PART NUMBER	Q'TY	DESCRIPTION	REMARKS	NOTE1	NOTE2
3		A011-000101	1	CRANKSHAFT,ASM			
4	+	V553-000010	1	BEARING,NEEDLE 8	HK0810		
5		A130-000540	1	CYLINDER			
6		900162-05022	2	BOLT, H.S. 5*22	5*22 W,SW		
7		V100-000160	1	GASKET,CYL			
8		P021-007711	1	PISTON KIT		Sus. by P021-007712	
8		P021-007712	1	PISTON KIT			
9	+	A101-000090	1	RING,PISTON			
10	+	100013-11520	1	PIN, PISTON			
11	+	100015-04630	2	CIRCLIP, PISTON PIN			
12	+	100014-11520	3	SPACER, PISTON PIN			
12	+	100014-11520	2	SPACER, PISTON PIN		Q'ty 3 -> 2	
13		100204-52132	1	CRANKCASE KIT			
14	+	100212-42031	2	OILSEAL	ISCD 12*22*4.5		
15	+	100215-03930	2	PIN, DOWEL			
16	+	94035-36201	2	BEARING BALL	6201X3JR2C3		
18	+	100242-42030	1	GASKET, CRANKCASE			
19	+	900162-05028	3	BOLT, H.S. 5*28	5*28 W,SW		
20		101511-44630	1	COVER, FAN (BS)			
21		900151-05025	1	BOLT 5*25	5*25 S45C	Sus. by 900162-05025	
21		900162-05025	1	BOLT, H.S. 5*25	5*25 W,SW		
22		900605-00005	1	WASHER, SPRING 5	5	Disuse	
23		900600-00005	1	WASHER 5	5	Disuse	

ore)



1. Cylinder, Crankcase, Piston, Fan Cover(Sr/Nr 36004952 and before)

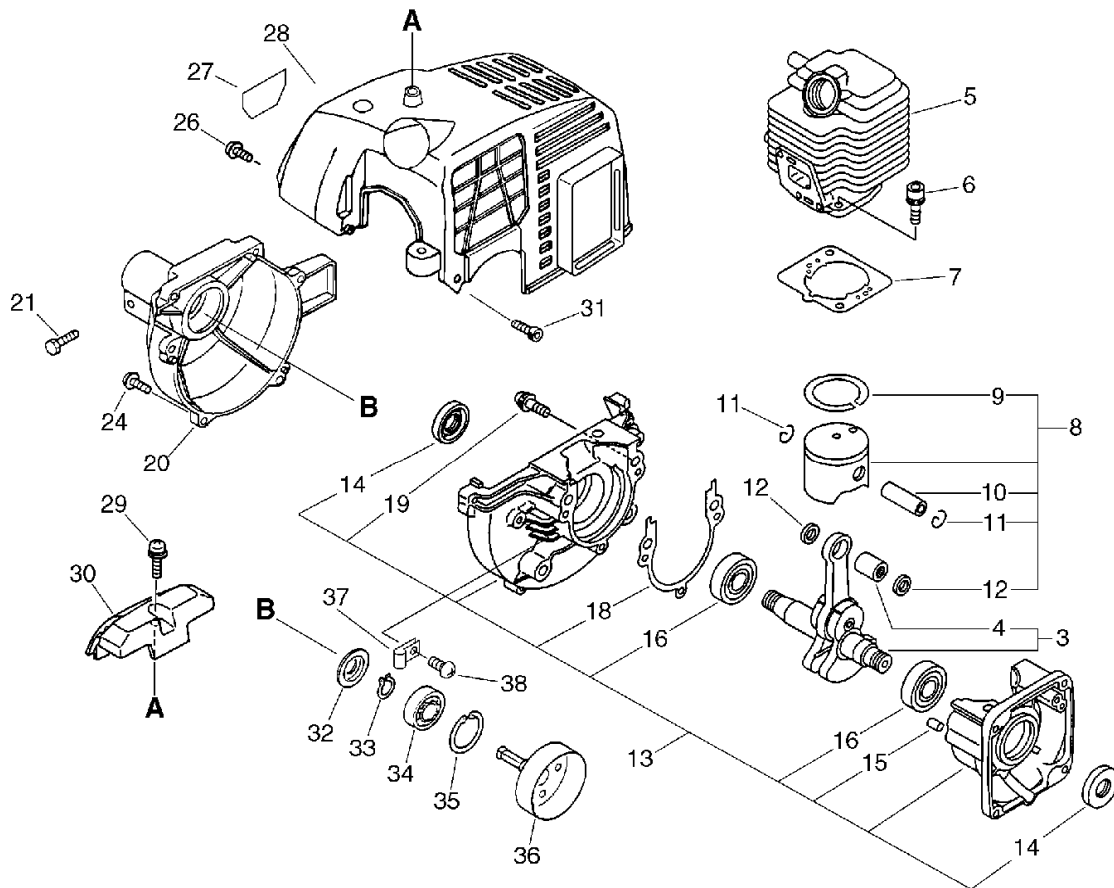


KEY	LV	PART NUMBER	Q'TY	DESCRIPTION	REMARKS	NOTE1	NOTE2
24		900163-04016	4	BOLT HSH			
26		900238-04012	2	SCREW 4*12	4*12		
27		890068-24661	1	LABEL, BRAND		Sus. by X547-000910	
28		A160-000590	1	COVER,CYLINDER			
29		900253-05016	1	SCREW	5*16		
30		A162-000070	1	GUARD, TOP			
31		900163-04016	2	BOLT HSH			
32		175053-04920	1	STOPPER			
33		900701-00012	1	CIRCLIP 12	CS-12		
34		900814-06201	1	BEARING, BALL 6201	6201ZZ		
35		900702-00032	1	CIRCLIP 32	CR-32		
36		175005-42030	1	DRUM, CLUTCH			

ore)



2. Cylinder, Crankcase, Piston, Fan Cover(Sr/Nr 36004953 and after)

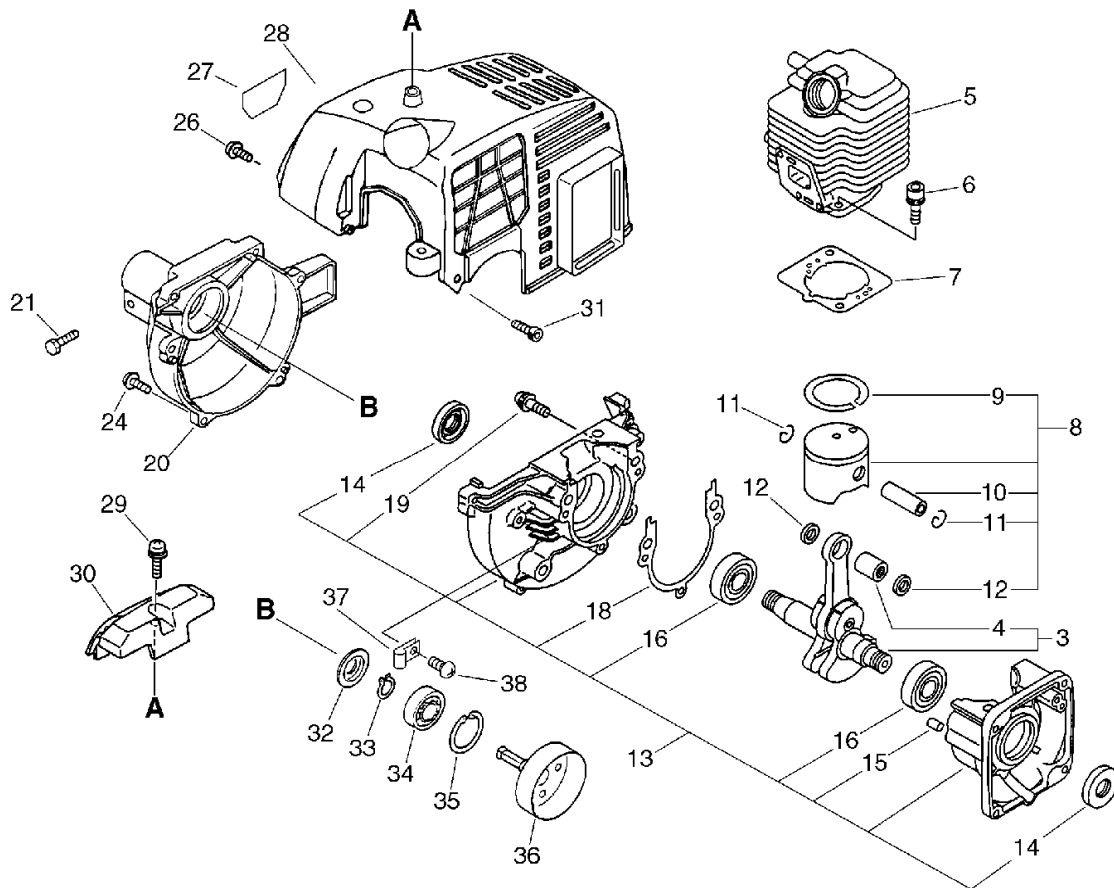


KEY	LV	PART NUMBER	Q'TY	DESCRIPTION	REMARKS	NOTE1	NOTE2
3		A011-000101	1	CRANKSHAFT,ASM			
4	+	V553-000010	1	BEARING,NEEDLE 8	HK0810		
5		A130-000540	1	CYLINDER			
6		900162-05022	2	BOLT, H.S. 5*22	5*22 W,SW		
7		V100-000160	1	GASKET,CYL			
8		P021-007712	1	PISTON KIT			
9	+	A101-000090	1	RING,PISTON			
10	+	100013-11520	1	PIN, PISTON			
11	+	100015-04630	2	CIRCLIP, PISTON PIN			
12	+	100014-11520	2	SPACER, PISTON PIN			
13		100204-52132	1	CRANKCASE KIT			
14	+	100212-42031	2	OILSEAL	ISCD 12*22*4.5		
15	+	100215-03930	2	PIN, DOWEL			
16	+	94035-36201	2	BEARING BALL	6201X3JR2C3		
18	+	100242-42030	1	GASKET, CRANKCASE			
19	+	900162-05028	3	BOLT, H.S. 5*28	5*28 W,SW		
20		101511-44630	1	COVER, FAN (BS)			
21		900151-05025	1	BOLT 5*25	5*25 S45C	Sus. by 900162-05025	
21		900162-05025	1	BOLT, H.S. 5*25	5*25 W,SW		
24		900163-04016	4	BOLT HSH			
26		900238-04012	2	SCREW 4*12	4*12		
27		890068-24661	1	LABEL, BRAND		Sus. by X547-000910	
27		X547-000910	1	LABEL,ECHO			

er)



2. Cylinder, Crankcase, Piston, Fan Cover(Sr/Nr 36004953 and after

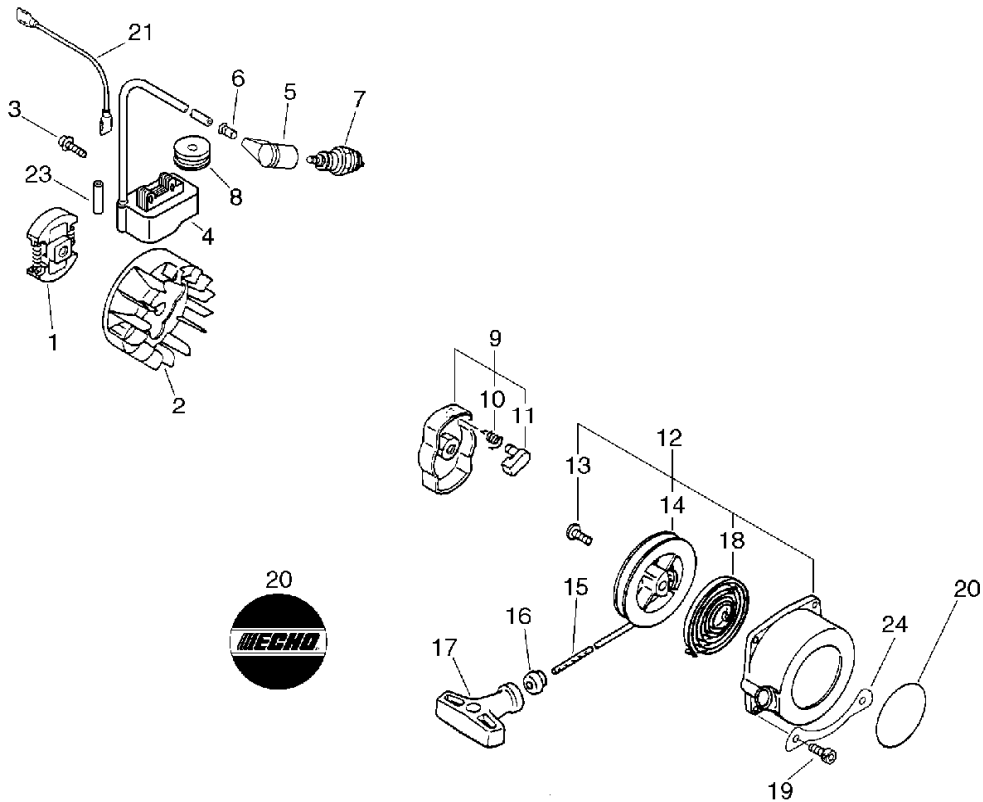


KEY	LV	PART NUMBER	Q'TY	DESCRIPTION	REMARKS	NOTE1	NOTE2
28		A160-000590	1	COVER,CYLINDER			
29		900253-05016	1	SCREW	5*16		
30		A162-000070	1	GUARD, TOP			
31		900163-04016	2	BOLT HSH			
32		175053-04920	1	STOPPER			
33		900701-00012	1	CIRCLIP 12	CS-12		
34		900814-06201	1	BEARING, BALL 6201	6201ZZ		
35		900702-00032	1	CIRCLIP 32	CR-32		
36		175005-42030	1	DRUM, CLUTCH			
37		132112-22031	1	CLIP, FUEL PIPE		Sr/Nr 36004953 and after	
38		900238-05010	1	SCREW 5*10	5*10	Sr/Nr 36004953 and after	

er)

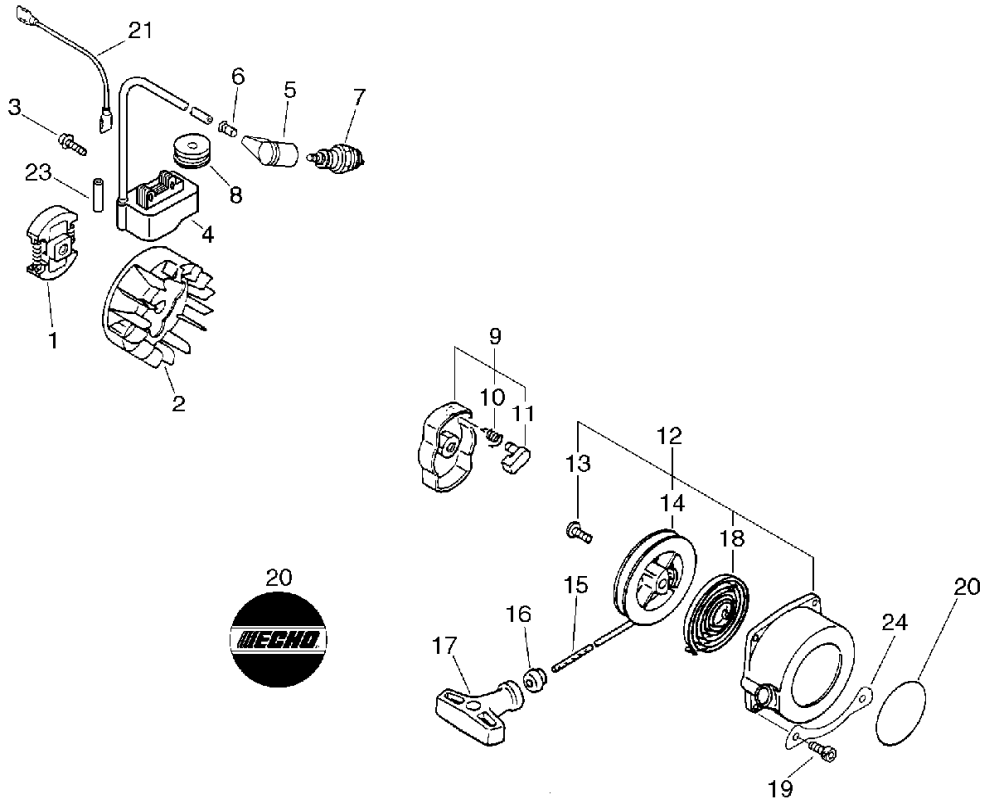


3. Starter, Magneto, Clutch(Sr/Nr 36004952 and before)



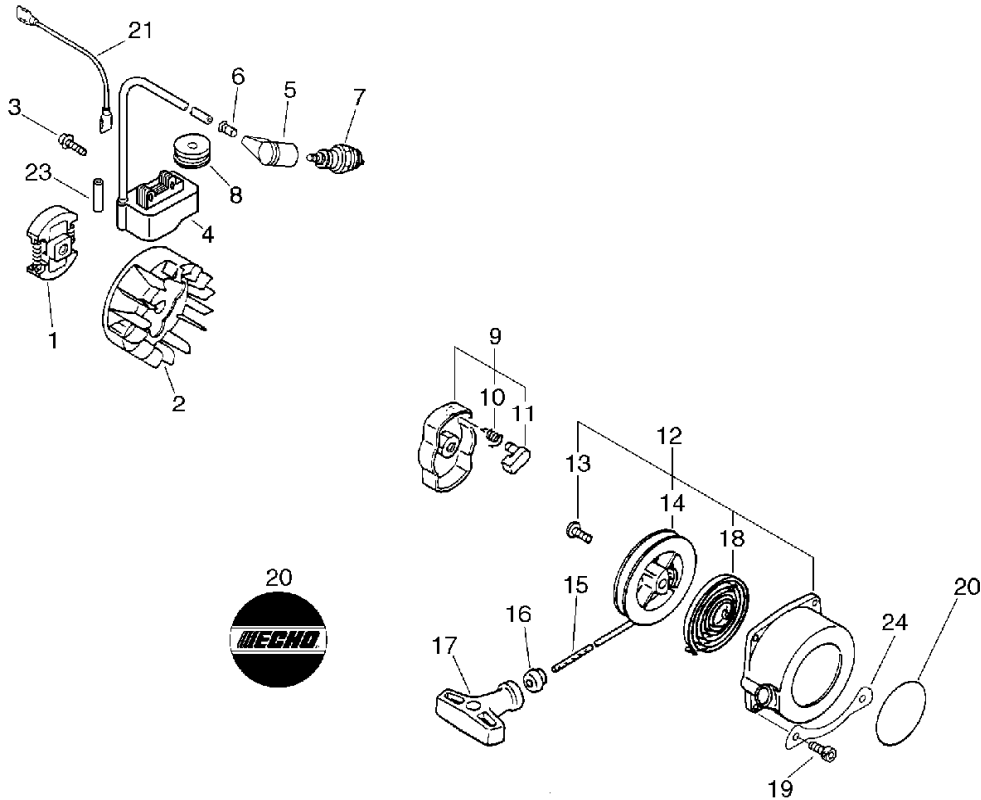
KEY	LV	PART NUMBER	Q'TY	DESCRIPTION	REMARKS	NOTE1	NOTE2
1		175000-56830	1	CLUTCH ASSY		Sus. by 175000-56831	
2		A409-000210	1	ROTOR,MAGNETO			
3		900162-04020	2	BOLT, H.S. 4*20	4*20 W,SW		
4		A411-000130	1	COIL,IGNITION			
5		159012-10230	1	CAP, SPARK PLUG			
6		159016-05330	1	ADAPTER, PLUG CAP			
7		A425-000000	1	SPARKPLUG	BPMR8Y		
8		150112-44330	1	BUSHING			
9		177202-44331	1	PAWL ASM., STARTER			
10	+	177234-12220	1	SPRING, PAWL			
11	+	177218-44330	1	PAWL, STARTER	BLACK		
12		177200-42033	1	STARTER ASSY			
13	+	177236-44330	1	SCREW			
14	+	177215-44430	1	DRUM, STARTER			
15	+	177226-10120	1	ROPE, STARTER	3.0*1000		
16	+	177227-42030	1	GUIDE, ROPE			
17	+	177228-06530	1	GRIP, STARTER			
18	+	177220-42030	1	SPRING, REWIND			
19		900163-04016	2	BOLT HSH		Sr/Nr 36002222 and before	
19		900163-04020	2	BOLT HSH		Sr/Nr 36002223 and after	
20		890118-49130	1	LABEL, ECHO			
21		V485-000290	1	LEAD			
23		156110-54930	1	TUBE	7*8.6*18.5		

3. Starter, Magneto, Clutch(Sr/Nr 36004952 and before)



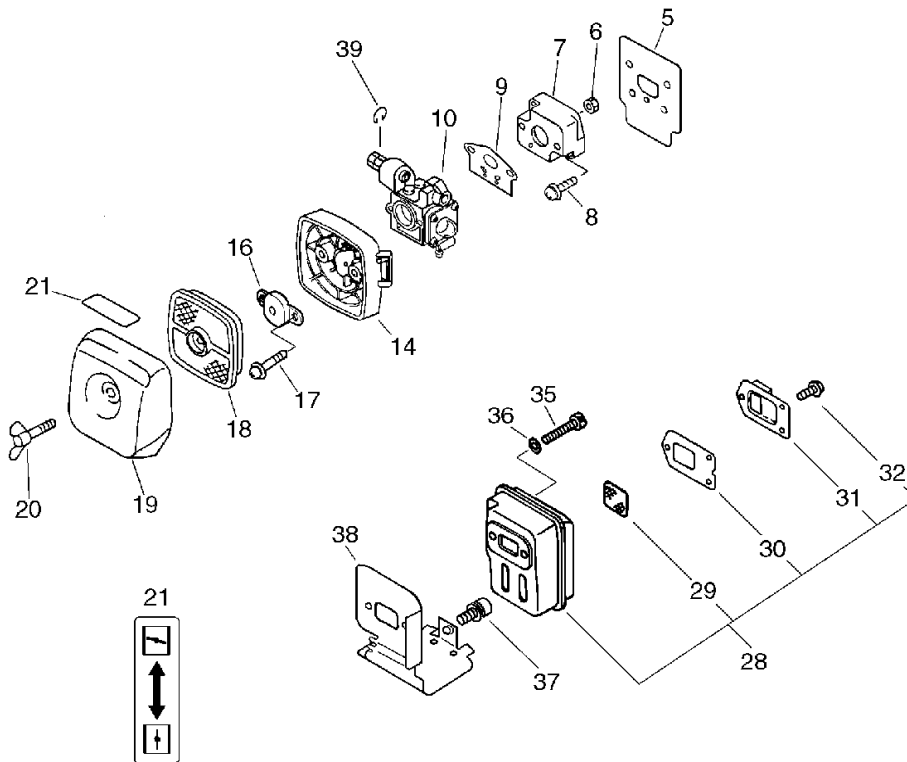
KEY	LV	PART NUMBER	Q'TY	DESCRIPTION	REMARKS	NOTE1	NOTE2
24		V150-001640	1	PLATE,EYE		Sr/Nr 36002223 and after	

4. Starter, Magneto, Clutch(Sr/Nr 36004953 and after)



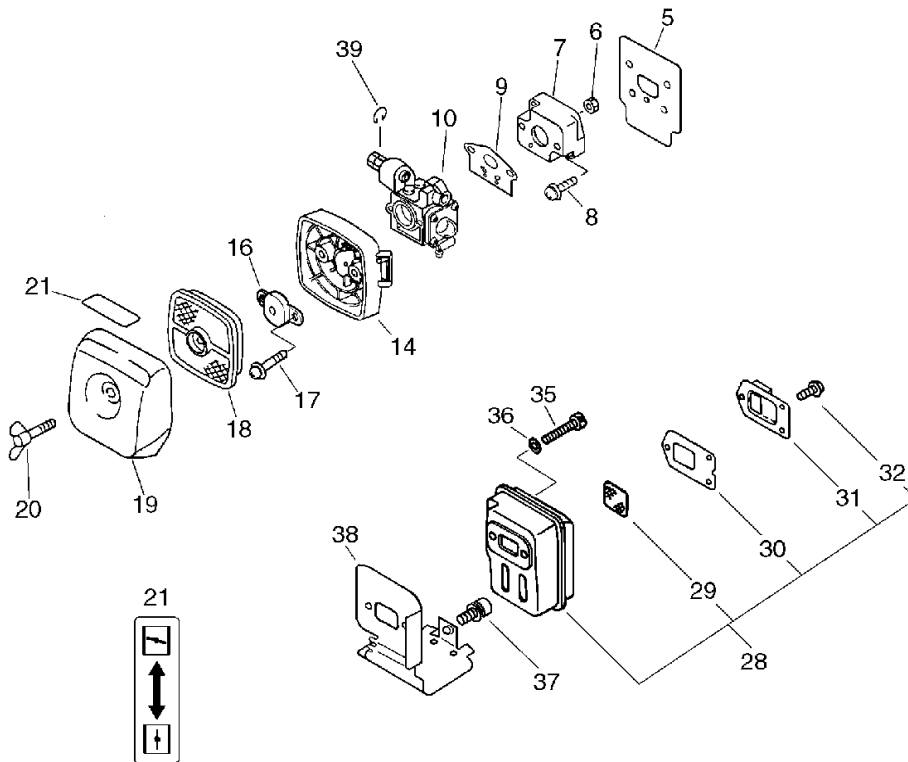
KEY	LV	PART NUMBER	Q'TY	DESCRIPTION	REMARKS	NOTE1	NOTE2
1		175000-56830	1	CLUTCH ASSY		Sus. by 175000-56831	
1		175000-56831	1	CLUTCH ASSEMBLY			
2		A409-000210	1	ROTOR,MAGNETO			
3		900162-04020	2	BOLT, H.S. 4*20	4*20 W,SW		
4		A411-000130	1	COIL,IGNITION			
5		159012-10230	1	CAP, SPARK PLUG			
6		159016-05330	1	ADAPTER, PLUG CAP			
7		A425-000000	1	SPARKPLUG	BPMR8Y		
8		150112-44330	1	BUSHING			
9		177202-44331	1	PAWL ASM., STARTER			
10	+	177234-12220	1	SPRING, PAWL			
11	+	177218-44330	1	PAWL, STARTER	BLACK		
12		177200-42033	1	STARTER ASSY			
13	+	177236-44330	1	SCREW			
14	+	177215-44430	1	DRUM, STARTER			
15	+	177226-10120	1	ROPE, STARTER	3.0*1000		
16	+	177227-42030	1	GUIDE, ROPE			
17	+	177228-06530	1	GRIP, STARTER			
18	+	177220-42030	1	SPRING, REWIND			
19		900162-04020	2	BOLT, H.S. 4*20	4*20 W,SW		
20		890118-49130	1	LABEL, ECHO			
21		V485-000290	1	LEAD			
23		156110-54930	1	TUBE	7*8.6*18.5		
24		V150-001640	1	PLATE,EYE			

5. Air Cleaner, Muffler(Sr/Nr 36004952 and before)



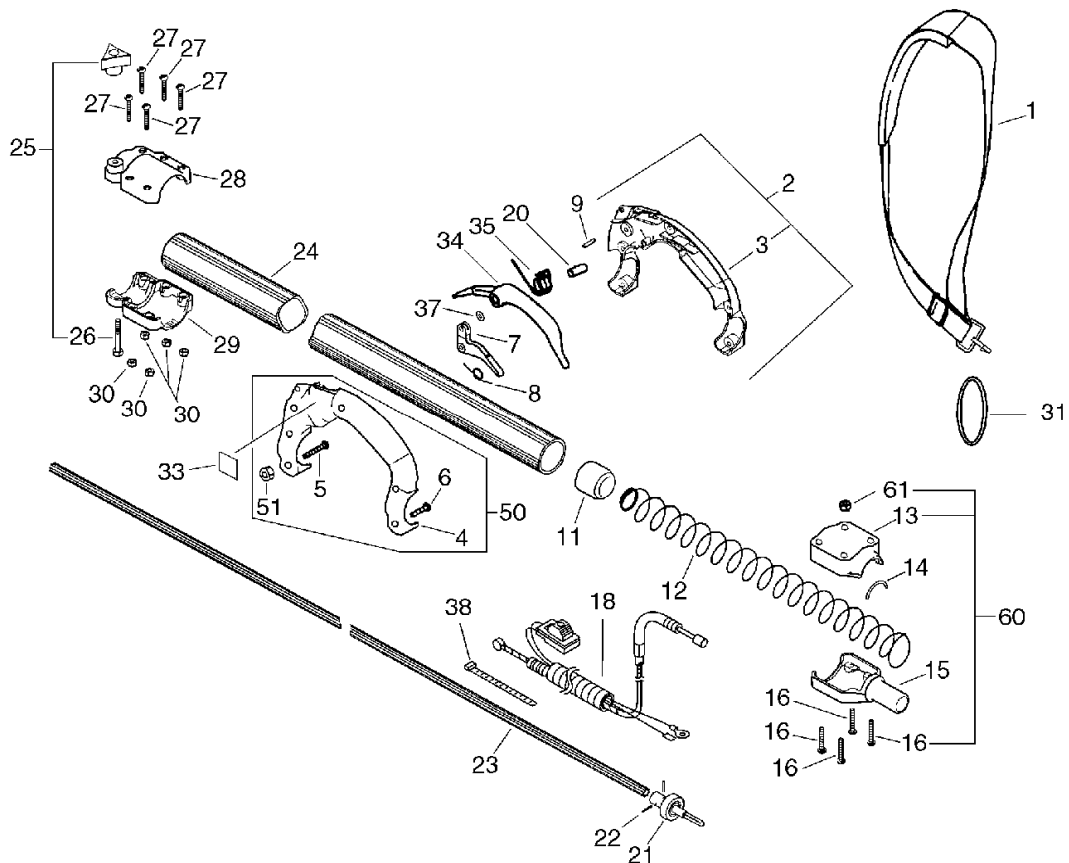
KEY	LV	PART NUMBER	Q'TY	DESCRIPTION	REMARKS	NOTE1	NOTE2
5		130010-42032	1	GASKET,INTAKE			
6		900500-00005	2	NUT 5	5		
7		130017-44330	1	INSULATOR			
8		900238-05020	2	SCREW 5*20	5*20		
9		130010-13410	1	GASKET, INTAKE			
10		A021-000740	1	CARBURETOR,DIAPHRAGM	RB-75	Sus. by A021-001460 Sr/Nr 36004952 and before	
14		P021-004480	1	CASE, AIR CLEANER			
16		129011-52730	1	PLATE, PREVENT			
17		900220-05065	2	SCREW 5*65	5*65		
18		130310-54130	1	FILTER, AIR			
19		130313-05863	1	LID, AIR CLEANER			
20		210417-52730	1	BOLT, WING	5*20		
21		890332-52730	1	LABEL, CHOKE			
28		P021-007420	1	MUFFLER ASY			
29	+	145862-40630	1	SCREEN, MUFFLER			
30	+	145866-42031	1	GASKET, MUFFLER LID			
31	+	A313-000580	1	GUIDE,EXH			
32	+	900242-04010	3	SCREW 4*10	4*10		
35		900105-05055	2	BOLT, H.S. 5*55	5*55		
36		900600-00005	2	WASHER 5	5		
37		91107-04008	1	BOLT HSH FLANGE	4*8		
38		V104-000510	1	GASKET,EXHAUST			

6. Air Cleaner, Muffler(Sr/Nr 36004953 and after)



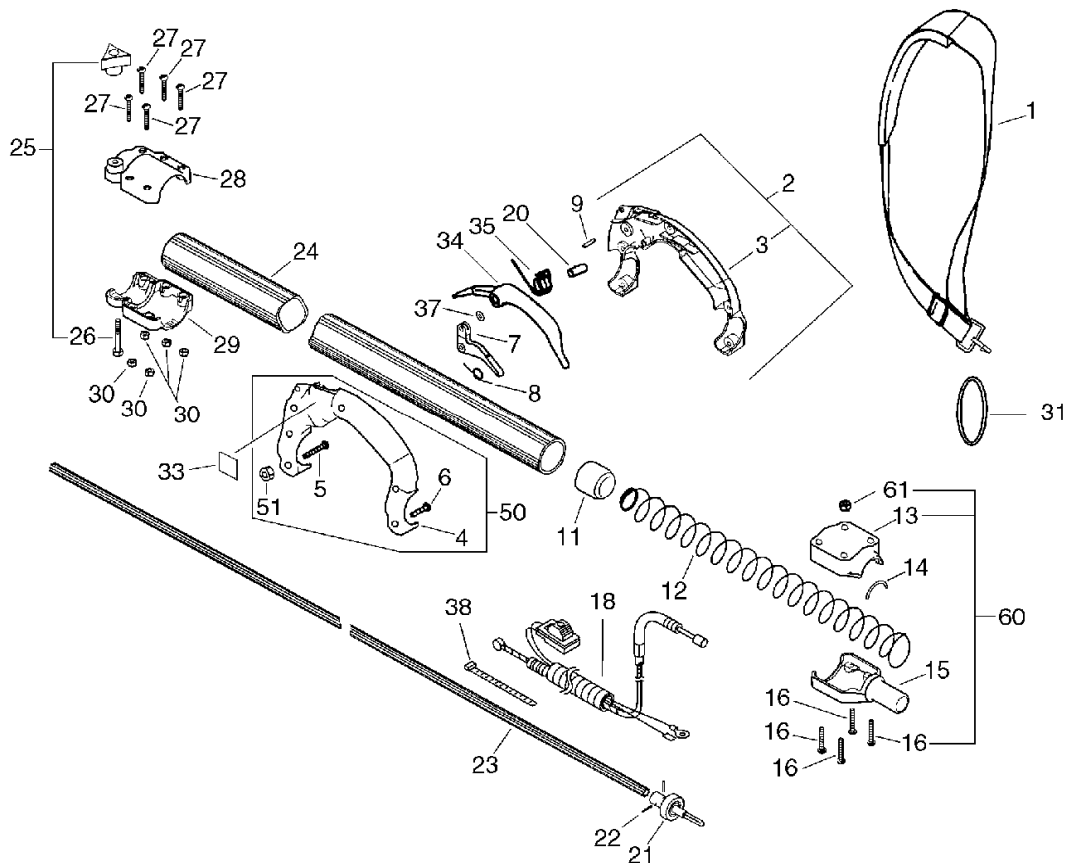
KEY	LV	PART NUMBER	Q'TY	DESCRIPTION	REMARKS	NOTE1	NOTE2
5		130010-42032	1	GASKET,INTAKE			
6		900500-00005	2	NUT 5	5		
7		130017-44330	1	INSULATOR			
8		900238-05020	2	SCREW 5*20	5*20		
9		130010-13410	1	GASKET, INTAKE			
10		A021-001460	1	CARBURETOR,DIAPHRAGM	RB-K87	Sr/Nr 36004953 and after	
14		P021-004480	1	CASE, AIR CLEANER			
16		129011-52730	1	PLATE, PREVENT			
17		900220-05065	2	SCREW 5*65	5*65		
18		130310-54130	1	FILTER, AIR			
19		130313-05863	1	LID, AIR CLEANER			
20		210417-52730	1	BOLT, WING	5*20		
21		890332-52730	1	LABEL, CHOKE			
28		P021-007420	1	MUFFLER ASY			
29	+	145862-40630	1	SCREEN, MUFFLER			
30	+	145866-42031	1	GASKET, MUFFLER LID			
31	+	A313-000580	1	GUIDE,EXH			
32	+	900242-04010	3	SCREW 4*10	4*10		
35		900105-05055	2	BOLT, H.S. 5*55	5*55		
36		900600-00005	2	WASHER 5	5		
37		91107-04008	1	BOLT HSH FLANGE	4*8		
38		V104-000510	1	GASKET,EXHAUST			
39		100015-00120	1	CIRCLIP, PISTON PIN		Sr/Nr 36004953 and after	

8. Handle(Sr/Nr 36004952 and before)



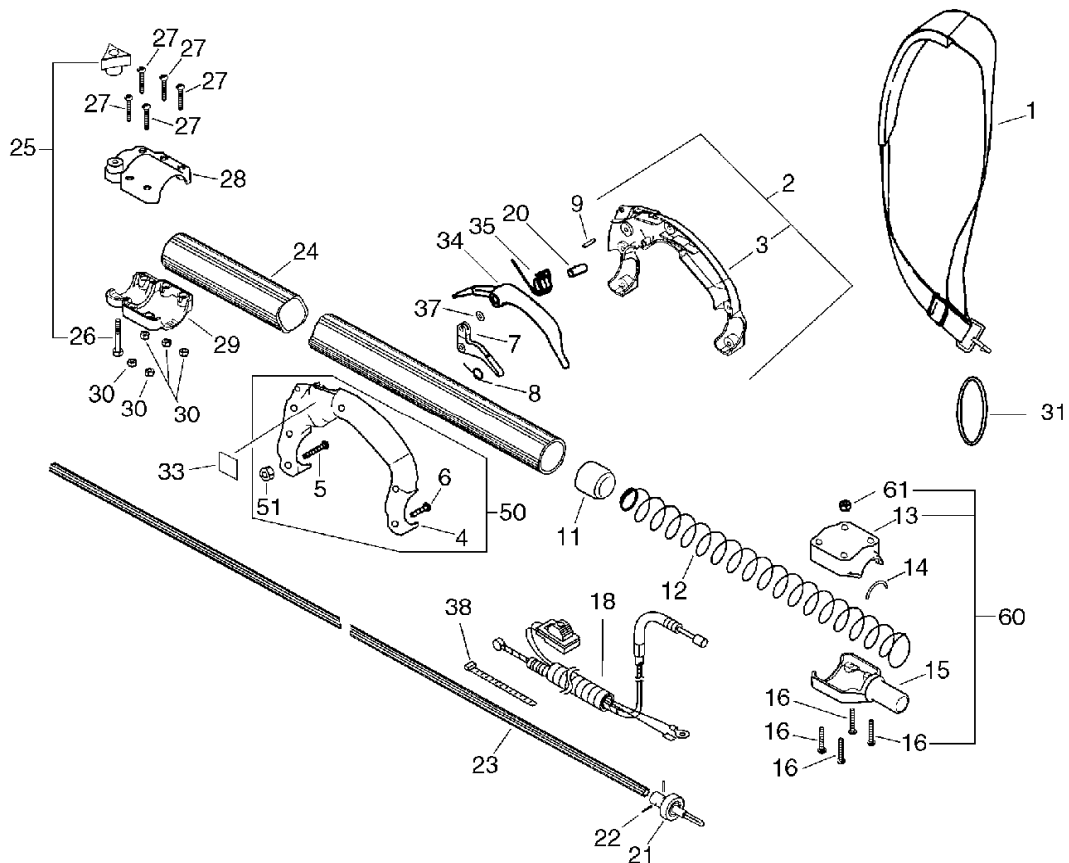
KEY	LV	PART NUMBER	Q'TY	DESCRIPTION	REMARKS	NOTE1	NOTE2
1		301000-22060	1	HARNES ASY,SHOULDER			
2		351100-22362	1	HANDLE SET, REAR			
3	+	351110-22562	1	HANDLE, REAR			
50	+	P021-003531	1	HANDLE ASY			
4	++	C410-000090	1	HANDLE,REAR	PP THROT LOCKOUT		
5	++	900053-00500	4	SCREW, PAN HEAD			
6	++	900053-00400	2	SCREW			
51	++	900031-50100	6	LOCKNUT			
7		178010-22560	1	TRIGGER, THROTTLE			
8		178043-22360	1	SPRING			
9		889960-22660	1	PIN, STRAIGHT			
10		163401-55631	1	SWITCH, IGNITION		Sr/Nr 36004952 and before	
11		433345-22660	1	GUIDE, SHAFT			
12		104940-22560	1	SPRING			
60		P021-003540	1	CAP, MAIN PIPE ASY			
13	+	C525-000000	1	CAP,MAIN PIPE			
16	+	900053-00500	4	SCREW, PAN HEAD			
61	+	900031-50100	4	LOCKNUT			
14		104910-22460	1	CUSHION			
15		C510-000050	1	COUPLING,MAIN PIPE		Sus. by C510- 000120	
15		C510-000120	1	COUPLING, MAIN PIPE			
18		V430-000671	1	CABLE,BOWDEN		Sus. by V430- 001380	

8. Handle(Sr/Nr 36004952 and before)



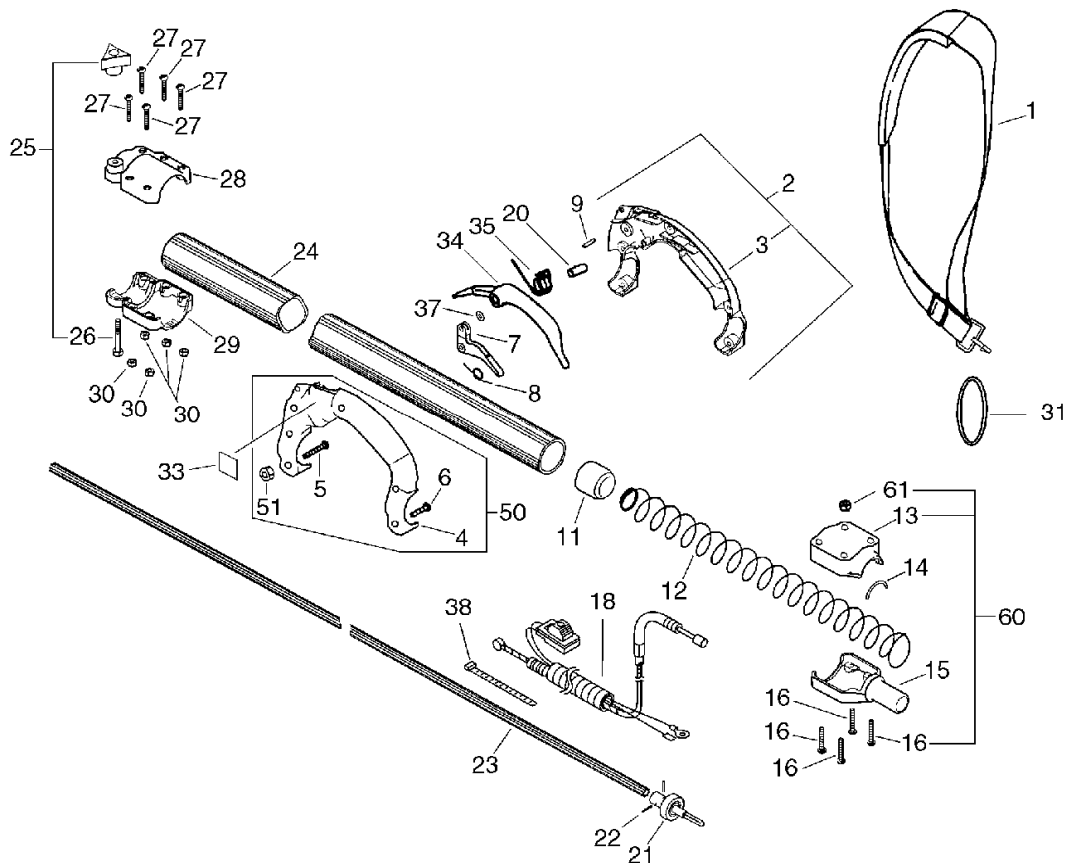
KEY	LV	PART NUMBER	Q'TY	DESCRIPTION	REMARKS	NOTE1	NOTE2
18		V430-001380	1	CABLE,BOWDEN		Sr/Nr 36004952 and before	
19		178016-22360	1	TUBE		Sr/Nr 36004952 and before	
20		610850-22560	1	COLLAR			
21		610012-22361	1	CONNECTOR, SHAFT			
22		V645-000000	2	PIN, SPIRAL	.098" X .687"		
23		610011-22060	1	SHAFT, DRIVE		Sus. by 610011- 22061	
23		610011-22061	1	SHAFT, DRIVE			
24		610222-22360	1	PIPE, MAIN			
25		130406-22360	1	THUMB			
26	+	V204-000090	1	BOLT, 6			
27		900053-00400	5	SCREW			
28		610282-22460	1	COLLAR, MAIN PIPE			
29		610282-22360	1	COLLAR, MAIN PIPE			
30	+	900031-50100	5	LOCKNUT			
31		301016-52730	1	RING, HARNESS			
33		890157-39130	1	LABEL, SWITCH			
34		178090-22560	1	LOCKOUT, THR.CONTROL			
35		178043-22562	1	SPRING			
37		900603-00005	1	WASHER 5	5.5*12*0.8		

9. Handle(Sr/Nr 36004953 and after)



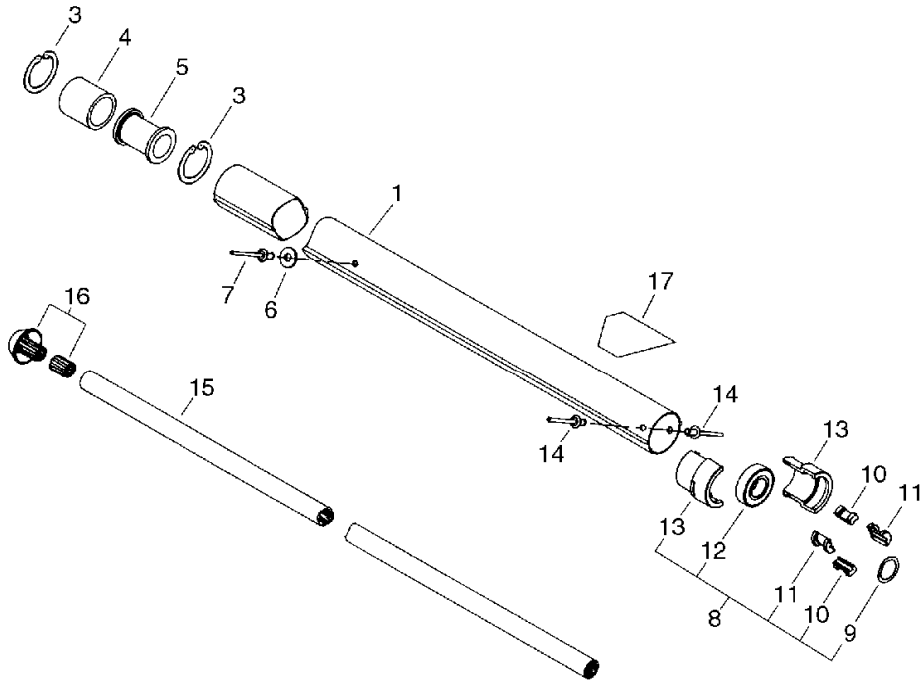
KEY	LV	PART NUMBER	Q'TY	DESCRIPTION	REMARKS	NOTE1	NOTE2
1		301000-22060	1	HARNES ASY,SHOULDER			
2		351100-22362	1	HANDLE SET, REAR			
3	+	351110-22562	1	HANDLE, REAR			
50	+	P021-003531	1	HANDLE ASY			
4	++	C410-000090	1	HANDLE,REAR	PP THROT LOCKOUT		
5	++	900053-00500	4	SCREW, PAN HEAD			
6	++	900053-00400	2	SCREW			
51	++	900031-50100	6	LOCKNUT			
7		178010-22560	1	TRIGGER, THROTTLE			
8		178043-22360	1	SPRING			
9		889960-22660	1	PIN, STRAIGHT			
11		433345-22660	1	GUIDE, SHAFT			
12		104940-22560	1	SPRING			
60		P021-003540	1	CAP, MAIN PIPE ASY			
13	+	C525-000000	1	CAP,MAIN PIPE			
16	+	900053-00500	4	SCREW, PAN HEAD			
61	+	900031-50100	4	LOCKNUT			
14		104910-22460	1	CUSHION			
15		C510-000050	1	COUPLING,MAIN PIPE		Sus. by C510- 000120	
15		C510-000120	1	COUPLING, MAIN PIPE			
18		V043-000210	1	CABLE ASY, CONTROL		Sr/Nr 36004953 and after	
20		610850-22560	1	COLLAR			
21		610012-22361	1	CONNECTOR, SHAFT			

9. Handle(Sr/Nr 36004953 and after)



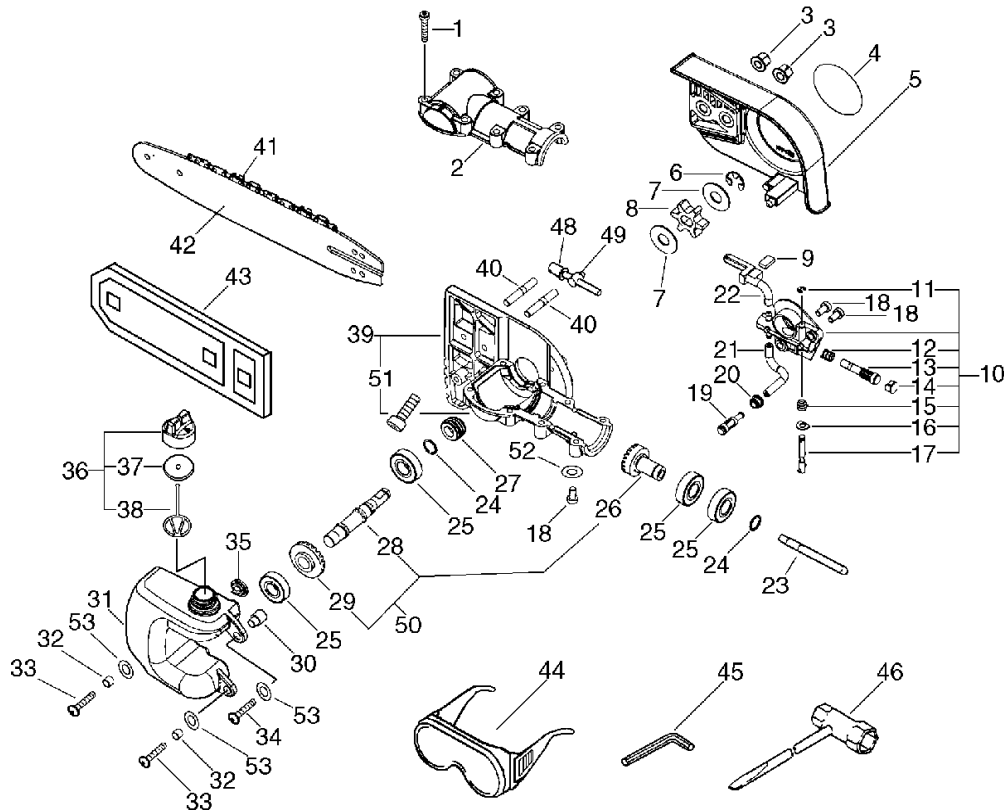
KEY	LV	PART NUMBER	Q'TY	DESCRIPTION	REMARKS	NOTE1	NOTE2
22		V645-000000	2	PIN, SPIRAL	.098" X .687"		
23		610011-22061	1	SHAFT, DRIVE			
24		610222-22360	1	PIPE, MAIN			
25		130406-22360	1	THUMB			
26	+	V204-000090	1	BOLT, 6			
27		900053-00400	5	SCREW			
28		610282-22460	1	COLLAR, MAIN PIPE			
29		610282-22360	1	COLLAR, MAIN PIPE			
30	+	900031-50100	5	LOCKNUT			
31		301016-52730	1	RING, HARNESS			
33		890157-39130	1	LABEL, SWITCH			
34		178090-22560	1	LOCKOUT, THR. CONTROL			
35		178043-22562	1	SPRING			
37		900603-00005	1	WASHER 5	5.5*12*0.8		
38		178121-43230	1	BAND	CV-150 BL	Sr/Nr 36004953 and after	

10. Pipe



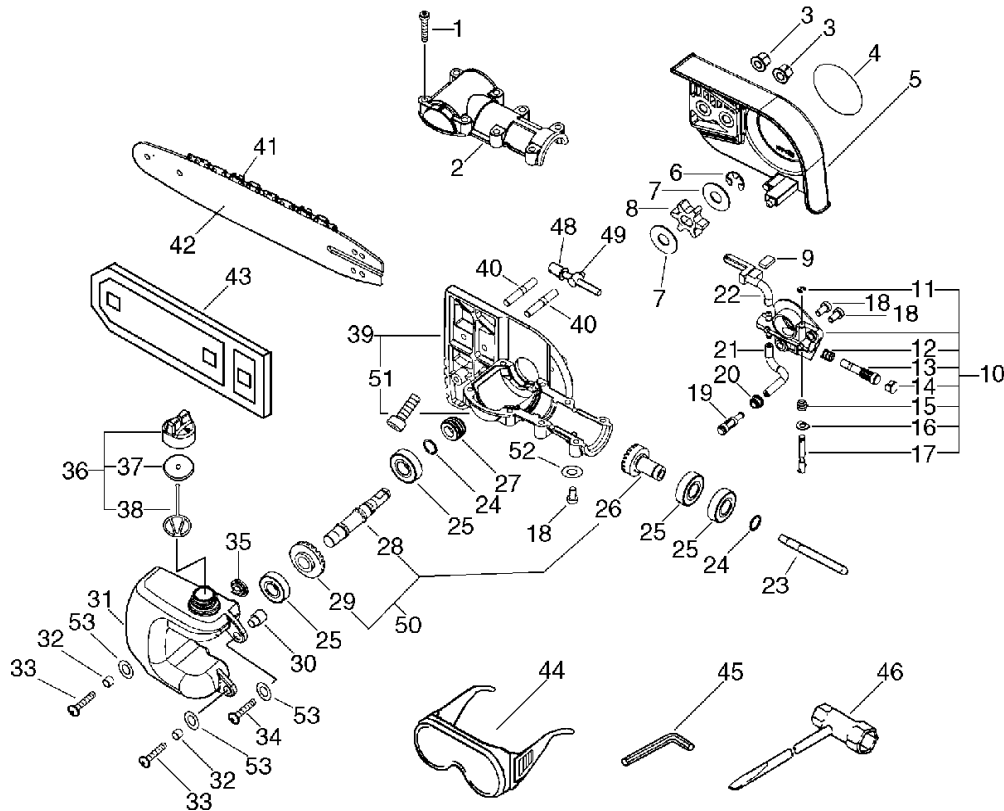
KEY	LV	PART NUMBER	Q'TY	DESCRIPTION	REMARKS	NOTE1	NOTE2
1		610210-22361	1	PIPE, MAIN			
3		610335-22460	2	RING			
4		104293-22360	1	PAD, FOAM			
5		433345-22361	1	GUIDE, SHAFT			
6		400111-22360	1	WASHER			
7		890011-22460	1	RIVET			
8		610105-22360	1	BEARING, SHAFT			
9	+	178129-22360	1	WASHER			
10	+	433345-22560	2	GUIDE, SHAFT			
11	+	433345-22460	2	GUIDE, SHAFT			
12	+	900802-06002	1	BEARING, BALL 6002	6002DDU(LLU)		
13	+	610111-22360	2	HOLDER, BEARING			
14		890011-22360	2	RIVET			
15		610011-22360	1	SHAFT, DRIVE			
16		610298-22360	1	SOCKET, SHAFT			
17		890160-22660	1	LABEL, CAUTION			

11. Auto-Oiler, Gear Case, Tools(Sr/Nr 36004000 and before)



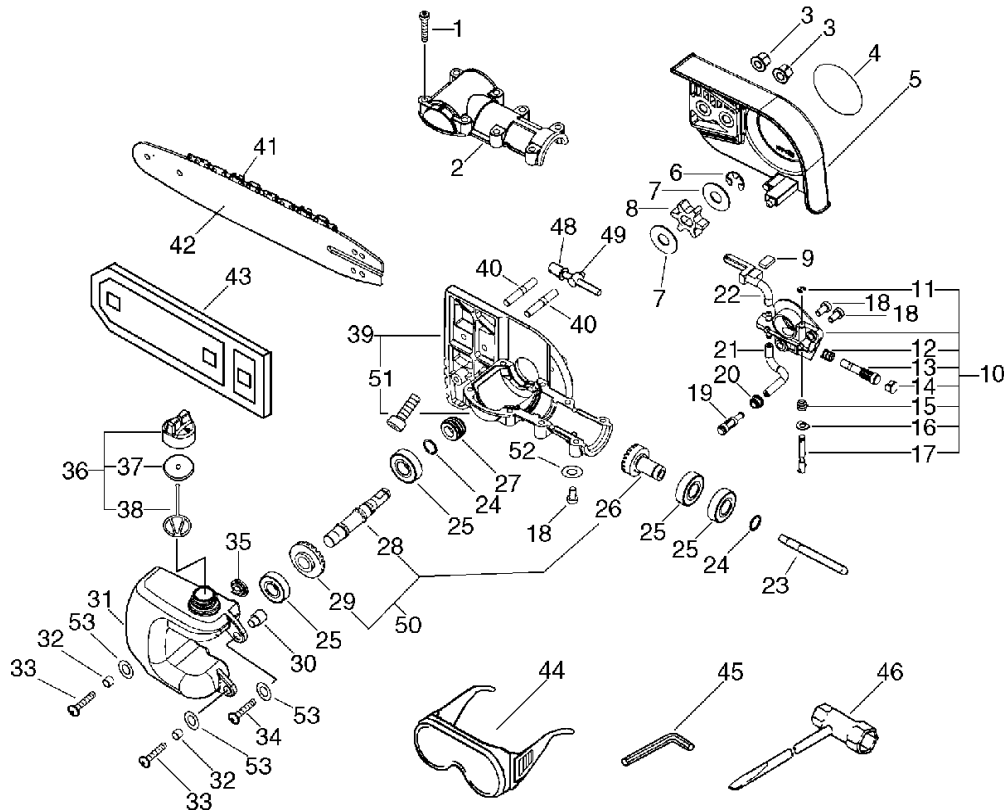
KEY	LV	PART NUMBER	Q'TY	DESCRIPTION	REMARKS	NOTE1	NOTE2
1		V253-000000	8	SCREW,5	5*25	Sus. by 900109-05025	
1		900109-05025	8	BOLT, H.S,H	5*25 SUS		
2		C531-000030	1	CASE,GEAR			
3		433019-03933	2	NUT, FLANGE 6	6		
4		890118-49130	1	LABEL, ECHO			
5		C300-000001	1	GUARD,SPROCKET			
6		V583-000010	1	RING			
7		175014-39130	2	WASHER, CLUTCH	10.2*25*1.2	Sus. by 175014-39131	
7		175014-39131	2	WASHER, CLUTCH	10.2*24.5*1.2		
8		C580-000070	1	SPROCKET,DRIVE			
9		437244-39130	1	PAD, FORM			
10		437002-39130	1	AUTO-OILER ASSY			
11	+	123127-15030	1	RING			
12	+	437019-38330	1	SPRING			
13	+	437024-37330	1	PLUNGER			
14	+	437062-37330	1	CAP, OIL PUMP			
15	+	437015-37330	1	SPRING			
16	+	437029-37330	1	WASHER			
17	+	437016-39130	1	NEEDLE, ADJUST			
18		V253-000010	3	SCREW,5	5*10	Sus. by 900109-05010	
18		900109-05010	3	BOLT, H.S,	5*10		
19		436205-02832	1	STRAINER, OIL			

11. Auto-Oiler, Gear Case, Tools(Sr/Nr 36004000 and before)



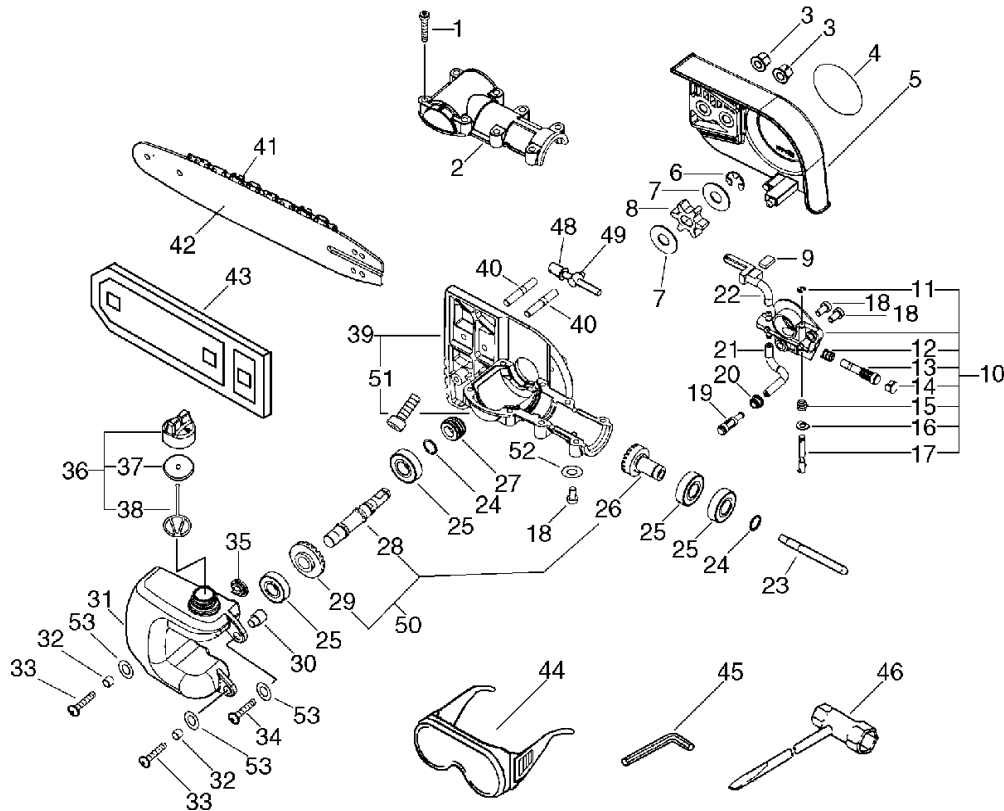
KEY	LV	PART NUMBER	Q'TY	DESCRIPTION	REMARKS	NOTE1	NOTE2
20		132115-01461	1	GROMMET			
21		130110-12330	1	PIPE, IMPULSE	3*6*70L		
22		V470-000180	1	PIPE			
23		610025-22361	1	CONNECTOR, SHAFT			
24		900706-00012	2	CIRCLIP 12	WR-12		
25		94042-06001	4	BEARING BALL	6001LLU		
26		V651-000042	1	GEAR,BEVEL		Sr/Nr 36002222 and before	
27		437063-38330	1	GEAR, WORM			
50		P021-005391	1	GEAR SET		Sr/Nr 36002222 and before	
50		P021-009710	1	GEAR, SHAFT KIT		Sr/Nr 36002223 to 36004000 Sus. by P021-0111610	
26	+	V651-000210	1	GEAR,BEVEL	MG 0600.2259	Can be used on the P021-009710 only	
28	+	C534-000180	1	SHAFT,GEAR		Sr/Nr 36002223 to 36004000	
29	+	V651-000111	1	GEAR,BEVEL		Can be used on the P021-005391 only	

11. Auto-Oiler, Gear Case, Tools(Sr/Nr 36004000 and before)



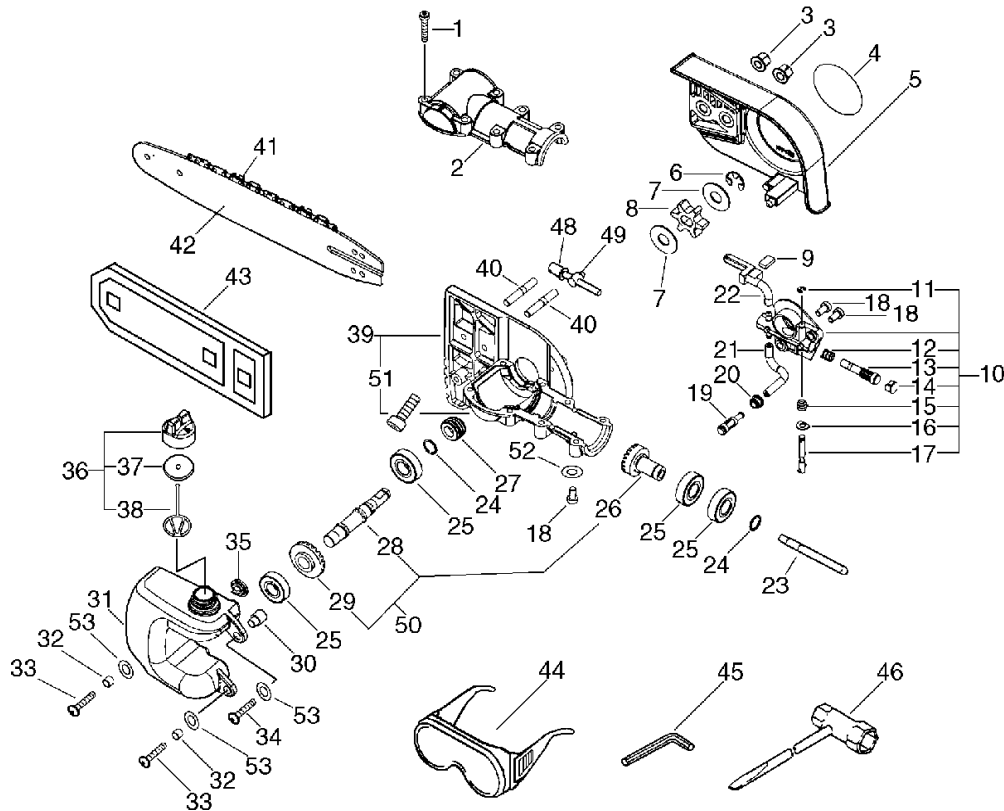
KEY	LV	PART NUMBER	Q'TY	DESCRIPTION	REMARKS	NOTE1	NOTE2
29	+	V651-000200	1	GEAR,BEVEL	MG 0600.2259		Can be used on the P021-009710 only Sus. by V651-000201
30		V354-000010	1	COLLAR,6			
31		C200-000000	1	TANK,OIL			
32		131045-28230	2	COLLAR			
33		V253-000030	2	SCREW,5	5*16		Sus. by 91109-05016
33		91109-05016	2	BOLT	CB 5*16		
34		V253-000020	1	SCREW,5	5*28		Sus. by 900109-05025
34		900109-05025	1	BOLT, H.S,H	5*25 SUS		
35		131314-06320	1	VALVE, CHECK			
36		P021-000950	1	CAP ASSY, OIL			Sus. by P021-000951
36		P021-000951	1	CAP ASSY, OIL			
37	+	436012-37830	1	GASKET, CIRCULAR			
38	+	131051-19830	1	LINK	60L		Sus. by A365-000050
38	+	A365-000050	1	CONNECTOR,CAP			
39		C531-000040	1	CASE,GEAR			Sr/Nr 36002222 and before
39		C051-000120	1	CASE,GEAR	PPT GC ASSEMBLY		Sr/Nr 36002223 and after

11. Auto-Oiler, Gear Case, Tools(Sr/Nr 36004000 and before)



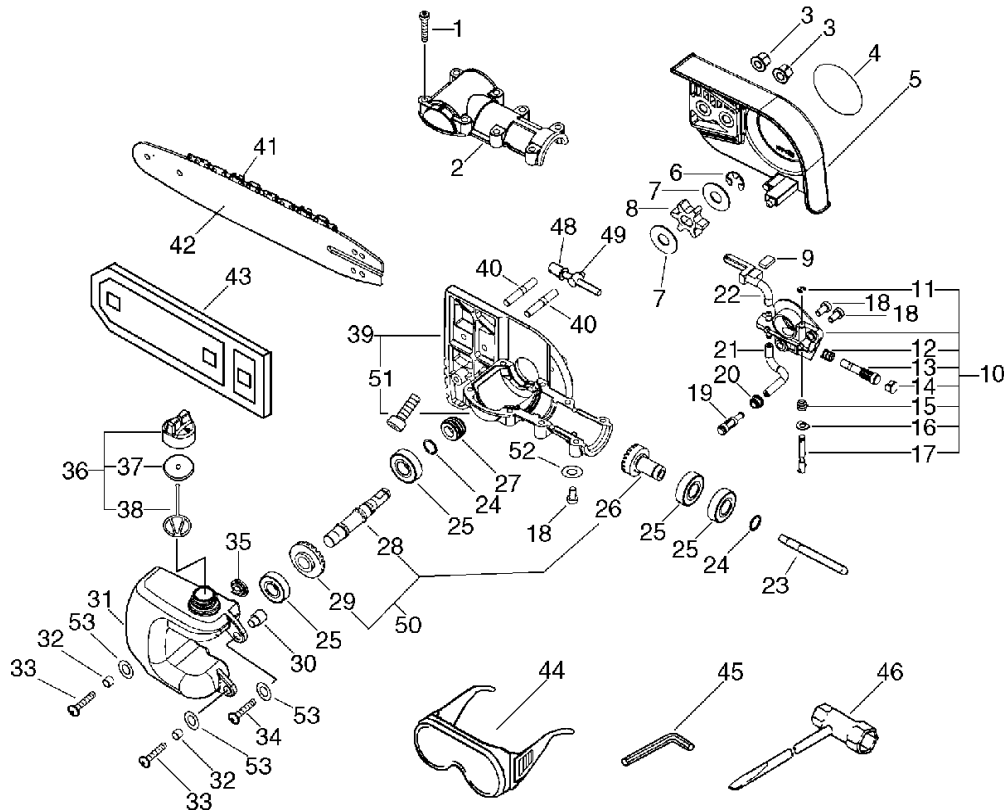
KEY	LV	PART NUMBER	Q'TY	DESCRIPTION	REMARKS	NOTE1	NOTE2
51	+	900109-05010	1	BOLT, H.S,	5*10		Can be used on the C051-000120 only
40		V224-000000	2	BOLT,STUD 6			
41		431610-22160	1	CHAIN, SAW	90SG-39		Sus. by X221-000040
42		X101-000070	1	BAR,GUIDE2580-43-3/8	25RC-43-3/8		
43		X490-000060	1	SCABBARD,CHAIN			
44		P021-002861	1	GOGGLES			
45		895612-03430	1	L-WRENCH (3MM)			Sr/Nr 36002472 and before
45		895610-00130	1	L-WRENCH (4MM)			Sr/Nr 36002473 and after
46		895410-39130	1	WRENCH, W/S-DRIVER			Sus. by 895410-39131
46		895410-39131	1	WRENCH, W/S-DRIVER			
47		895112-00330	1	SPANNER 8*10			Disuse
48		433016-39131	1	BOLT			
49		433014-03931	1	TENSIONER			
52		900600-00005	1	WASHER 5	5		Sr/Nr 36006088 and after
53		900603-00005	3	WASHER 5	5.5*12*0.8		Sr/Nr 36006088 and after

12. Auto-Oiler, Gear Case, Tools(Sr/Nr 36004001 and after)



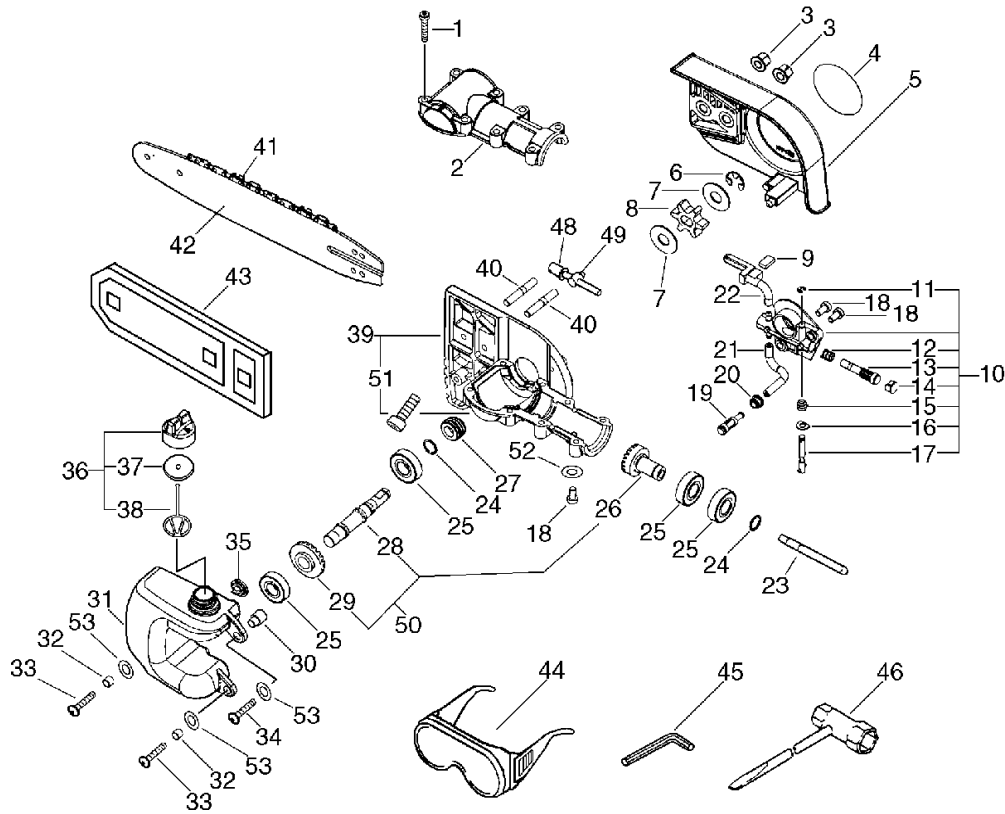
KEY	LV	PART NUMBER	Q'TY	DESCRIPTION	REMARKS	NOTE1	NOTE2
1		900109-05025	8	BOLT, H.S,H	5*25 SUS		
2		C531-000030	1	CASE,GEAR			
3		433019-03933	2	NUT, FLANGE 6	6		
4		890118-49130	1	LABEL, ECHO			
5		C300-000001	1	GUARD,SPROCKET			
6		V583-000010	1	RING			
7		175014-39131	2	WASHER, CLUTCH	10.2*24.5*1.2		
8		C580-000070	1	SPROCKET,DRIVE			
9		437244-39130	1	PAD, FORM			
10		437002-39130	1	AUTO-OILER ASSY			
11	+	123127-15030	1	RING			
12	+	437019-38330	1	SPRING			
13	+	437024-37330	1	PLUNGER			
14	+	437062-37330	1	CAP, OIL PUMP			
15	+	437015-37330	1	SPRING			
16	+	437029-37330	1	WASHER			
17	+	437016-39130	1	NEEDLE, ADJUST			
18		900109-05010	3	BOLT, H.S,	5*10		
19		436205-02832	1	STRAINER, OIL			
20		132115-01461	1	GROMMET			
21		130110-12330	1	PIPE, IMPULSE	3*6*70L		
22		V470-000180	1	PIPE			
23		610025-22361	1	CONNECTOR, SHAFT			
24		900706-00012	2	CIRCLIP 12	WR-12		
25		94042-06001	4	BEARING BALL	6001LLU		

12. Auto-Oiler, Gear Case, Tools(Sr/Nr 36004001 and after)



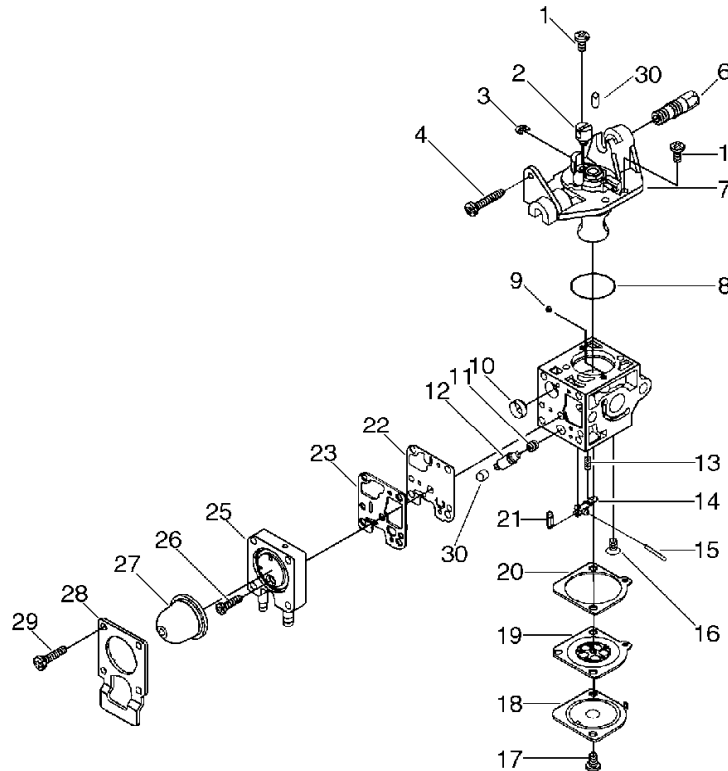
KEY	LV	PART NUMBER	Q'TY	DESCRIPTION	REMARKS	NOTE1	NOTE2
27		437063-38330	1	GEAR, WORM			
50		P021-011610	1	GEAR, SHAFT KIT		Sr/Nr 36004001 and after	
26	+	V651-000210	1	GEAR,BEVEL	MG 0600.2259		
28	+	C534-000400	1	SHAFT, GEAR	84.50MM LENGTH	Sr/Nr 36004001 and after	
29	+	V651-000201	1	GEAR,BEVEL	MG 0600.2259		
30		V354-000010	1	COLLAR,6			
31		C200-000000	1	TANK,OIL			
32		131045-28230	2	COLLAR			
33		91109-05016	2	BOLT	CB 5*16		
34		900109-05025	1	BOLT, H.S,H	5*25 SUS		
35		131314-06320	1	VALVE, CHECK			
36		P021-000951	1	CAP ASSY, OIL			
37	+	436012-37830	1	GASKET, CIRCULAR			
38	+	A365-000050	1	CONNECTOR,CAP			
39		C051-000120	1	CASE,GEAR	PPT GC ASSEMBLY		
51	+	900109-05010	1	BOLT, H.S,	5*10		
40		V224-000000	2	BOLT,STUD 6			
41		431610-22160	1	CHAIN, SAW	90SG-39	Sus. by X221- 000040	
41		X221-000040	1	CHAIN,SAW 90SG-39CQ	90SG-39CQ ECHO		
42		X101-000070	1	BAR,GUIDE2580-43-3/8	25RC-43-3/8		
43		X490-000060	1	SCABBARD,CHAIN			

12. Auto-Oiler, Gear Case, Tools(Sr/Nr 36004001 and after)



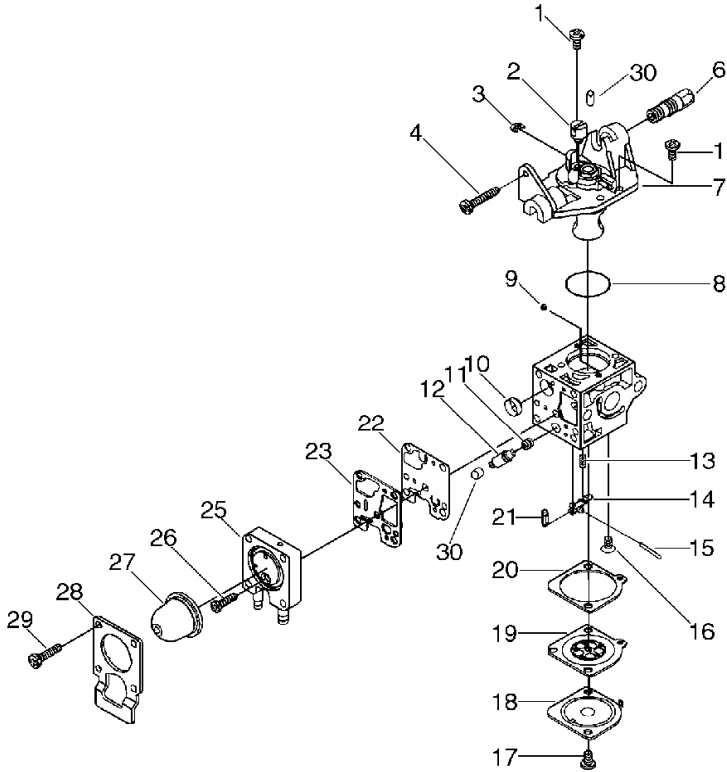
KEY	LV	PART NUMBER	Q'TY	DESCRIPTION	REMARKS	NOTE1	NOTE2
44		P021-002861	1	GOGGLES			
45		895610-00130	1	L-WRENCH (4MM)			
46		895410-39131	1	WRENCH, W/S-DRIVER			
48		433016-39131	1	BOLT			
49		433014-03931	1	TENSIONER			
52		900600-00005	1	WASHER 5	5		
53		900603-00005	3	WASHER 5	5.5*12*0.8		

13. Carburetor(Sr/Nr 36004952 and before)



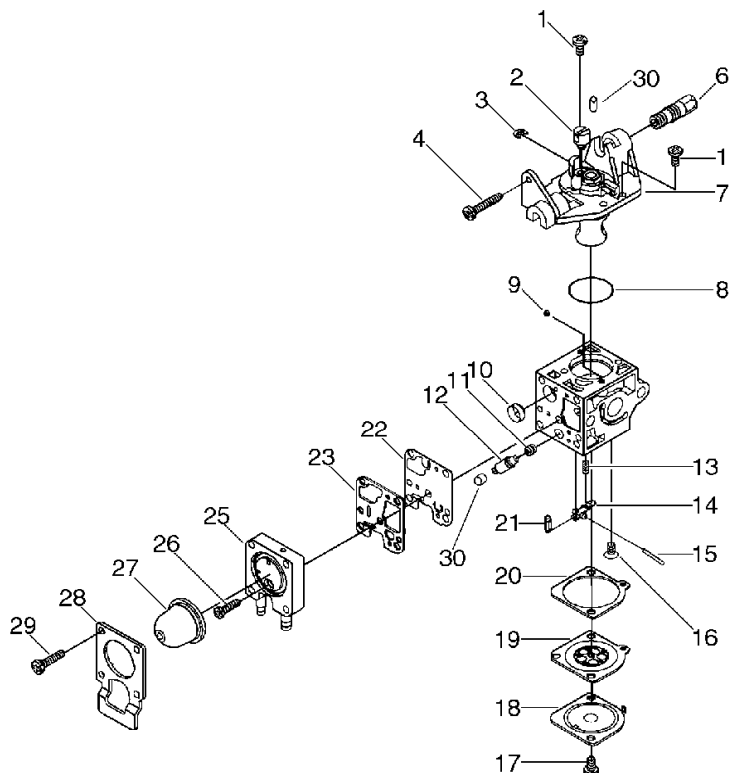
KEY	LV	PART NUMBER	Q'TY	DESCRIPTION	REMARKS	NOTE1	NOTE2
		A021-000740	1	CARBURETOR,DIAPHRAGM	RB-75		
1	+	125344-13931	3	SCREW			
2	+	P005-001240	1	POST			
3	+	P005-000190	1	E-RING			
4	+	P005-000100	1	SCREW,THROTTLEADJUST			
6	+	P005-001330	1	SCREW, WIRE ADJUST		Sr/Nr 36004952 and before	
7	+	P005-001320	1	COVER ASY, ROTOR			
8	+	P005-000280	1	O-RING			
9	+	P005-001000	1	ROLLER, GUIDE			
10	+	P005-000010	1	STRAINER			
11	+	P005-001260	1	SCREW,MAINN MIXTURE			
12	+	P005-001250	1	RETAINER,PLUG BALL			
13	+	P005-000940	1	SPRING, METER. LEVER			
14	+	125323-08260	1	ARM, VALVE			
15	+	125338-13930	1	PIN, METERING ARM			
16	+	125339-42030	1	SCREW			
17	+	125344-52130	2	SCREW			
18	+	125342-52130	1	COVER, DIAPHRAGM			
19	+	125341-42030	1	DIAPHRAGM			
20	+	P005-000200	1	GASKET, METERING			
21	+	125337-08260	1	VALVE, INLET NEEDLE			
22	+	P005-000510	1	DIAPHRAGM, PUMP			
23	+	P005-000520	1	GASKET, PUMP			
25	+	P005-000930	1	BASE, ASY PRIMER		Sus. by P005- 001890	

13. Carburetor(Sr/Nr 36004952 and before)



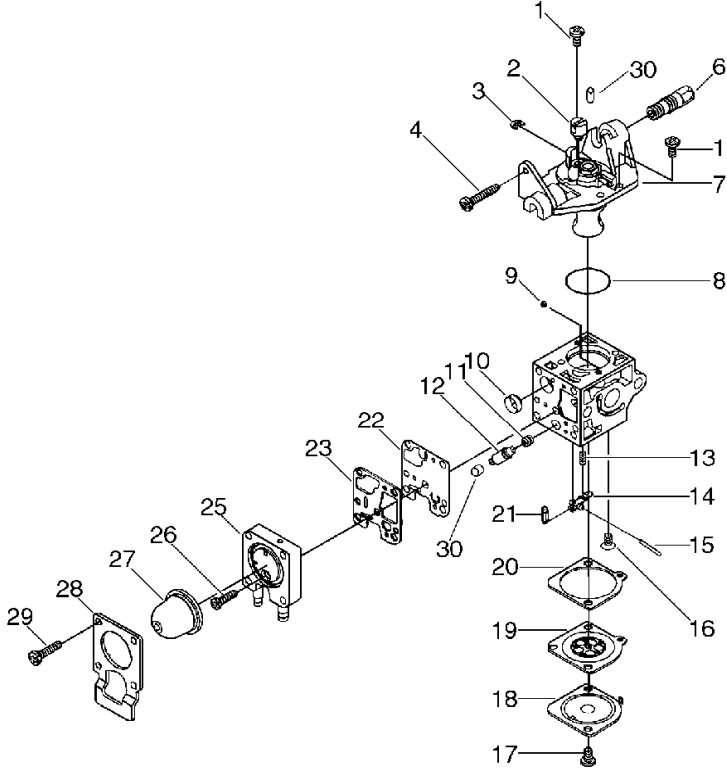
KEY	LV	PART NUMBER	Q'TY	DESCRIPTION	REMARKS	NOTE1	NOTE2
26	+	P005-000270	1	SCREW			
27	+	125381-46730	1	PUMP, PRIMING			
28	+	P005-000250	1	RETAINER			
29	+	125310-61830	4	SCREW			
30	+	P005-001270	2	PLUG, H AJUST SCREW			

14. Carburetor(Sr/Nr 36004953 and after)



KEY	LV	PART NUMBER	Q'TY	DESCRIPTION	REMARKS	NOTE1	NOTE2
		A021-001460	1	CARBURETOR,DIAPHRAGM	RB-K87		
1	+	125344-13931	3	SCREW			
2	+	P005-001240	1	POST			
3	+	P005-000190	1	E-RING			
4	+	P005-000100	1	SCREW,THROTTLEADJUST			
6	+	P005-002010	1	SCREW, WIRW ADJUST		Sr/Nr 36004953 and after	
7	+	P005-001320	1	COVER ASY, ROTOR			
8	+	P005-000280	1	O-RING			
9	+	P005-001000	1	ROLLER, GUIDE			
10	+	P005-000010	1	STRAINER			
11	+	P005-001260	1	SCREW,MAINN MIXTURE			
12	+	P005-001250	1	RETAINER,PLUG BALL			
13	+	P005-000940	1	SPRING, METER. LEVER			
14	+	125323-08260	1	ARM, VALVE			
15	+	125338-13930	1	PIN, METERING ARM			
16	+	125339-42030	1	SCREW			
17	+	125344-52130	2	SCREW			
18	+	125342-52130	1	COVER, DIAPHRAGM			
19	+	125341-42030	1	DIAPHRAGM			
20	+	P005-000200	1	GASKET, METERING			
21	+	125337-08260	1	VALVE, INLET NEEDLE			
22	+	P005-000510	1	DIAPHRAGM, PUMP			
23	+	P005-000520	1	GASKET, PUMP			
25	+	P005-000930	1	BASE, ASY PRIMER			
26	+	P005-000270	1	SCREW			

14. Carburetor(Sr/Nr 36004953 and after)



KEY	LV	PART NUMBER	Q'TY	DESCRIPTION	REMARKS	NOTE1	NOTE2
27	+	125381-46730	1	PUMP, PRIMING			
28	+	P005-000250	1	RETAINER			
29	+	125310-61830	4	SCREW			
30	+	P005-001270	2	PLUG, H AJUST SCREW			

15. Repair Kit

KEY	LV	PART NUMBER	Q'TY	DESCRIPTION	REMARKS	NOTE1	NOTE2
		P005-000550	1	DIAPHRAGM/GASKET KIT			
8-19	+	125341-42030	1	DIAPHRAGM			
8-20	+	P005-000200	1	GASKET, METERING			
8-22	+	P005-000510	1	DIAPHRAGM, PUMP			
8-23	+	P005-000520	1	GASKET, PUMP			
		P005-000950	1	REBUILD KIT			
8-9	+	P005-001000	1	ROLLER, GUIDE			
8-10	+	P005-000010	1	STRAINER			
8-13	+	P005-000940	1	SPRING, METER. LEVER			
8-14	+	125323-08260	1	ARM, VALVE			
8-15	+	125338-13930	1	PIN, METERING ARM			
8-19	+	125341-42030	1	DIAPHRAGM			
8-20	+	P005-000200	1	GASKET, METERING			
8-21	+	125337-08260	1	VALVE, INLET NEEDLE			
8-22	+	P005-000510	1	DIAPHRAGM, PUMP			
8-23	+	P005-000520	1	GASKET, PUMP			

Index

Patrs Number	Key No.	Patrs Number	Key No.	Patrs Number	Key No.
100013-11520	1 - 10	125381-46730	14 - 27	175014-39130	11 - 7
100013-11520	2 - 10	129011-52730	5 - 16	175014-39131	11 - 7
100014-11520	1 - 12	129011-52730	6 - 16	175014-39131	12 - 7
100014-11520	1 - 12	130010-13410	5 - 9	175053-04920	1 - 32
100014-11520	2 - 12	130010-13410	6 - 9	175053-04920	2 - 32
100015-00120	6 - 39	130010-42032	5 - 5	177200-42033	3 - 12
100015-04630	1 - 11	130010-42032	6 - 5	177200-42033	4 - 12
100015-04630	2 - 11	130017-44330	5 - 7	177202-44331	3 - 9
100204-52132	1 - 13	130017-44330	6 - 7	177202-44331	4 - 9
100204-52132	2 - 13	130110-12330	11 - 21	177215-44430	3 - 14
100212-42031	1 - 14	130110-12330	12 - 21	177215-44430	4 - 14
100212-42031	2 - 14	130310-54130	5 - 18	177218-44330	3 - 11
100215-03930	1 - 15	130310-54130	6 - 18	177218-44330	4 - 11
100215-03930	2 - 15	130313-05863	5 - 19	177220-42030	3 - 18
100242-42030	1 - 18	130313-05863	6 - 19	177220-42030	4 - 18
100242-42030	2 - 18	130406-22360	8 - 25	177226-10120	3 - 15
101511-44630	1 - 20	130406-22360	9 - 25	177226-10120	4 - 15
101511-44630	2 - 20	131004-55530	7 - 16	177227-42030	3 - 16
104293-22360	10 - 4	131016-55830	7 - 17	177227-42030	4 - 16
104910-22460	8 - 14	131045-28230	11 - 32	177228-06530	3 - 17
104910-22460	9 - 14	131045-28230	12 - 32	177228-06530	4 - 17
104940-22560	8 - 12	131051-19830	11 - 38	177234-12220	3 - 10
104940-22560	9 - 12	131051-56030	7 - 18	177234-12220	4 - 10
123127-15030	11 - 11	131205-07320	7 - 10	177236-44330	3 - 13
123127-15030	12 - 11	131314-06320	11 - 35	177236-44330	4 - 13
125310-61830	13 - 29	131314-06320	12 - 35	178010-22560	8 - 7
125310-61830	14 - 29	132012-56030	7 - 6	178010-22560	9 - 7
125323-08260	13 - 14	132013-09820	7 - 9	178016-22360	8 - 19
125323-08260	14 - 14	132112-22031	2 - 37	178043-22360	8 - 8
125323-08260	15 - 8-14	132115-01461	11 - 20	178043-22360	9 - 8
125337-08260	13 - 21	132115-01461	12 - 20	178043-22562	8 - 35
125337-08260	14 - 21	145862-40630	5 - 29	178043-22562	9 - 35
125337-08260	15 - 8-21	145862-40630	6 - 29	178090-22560	8 - 34
125338-13930	13 - 15	145866-42031	5 - 30	178090-22560	9 - 34
125338-13930	14 - 15	145866-42031	6 - 30	178121-43230	9 - 38
125338-13930	15 - 8-15	150112-44330	3 - 8	178129-22360	10 - 9
125339-42030	13 - 16	150112-44330	4 - 8	210417-52730	5 - 20
125339-42030	14 - 16	156110-54930	3 - 23	210417-52730	6 - 20
125341-42030	13 - 19	156110-54930	4 - 23	301000-22060	8 - 1
125341-42030	14 - 19	159012-10230	3 - 5	301000-22060	9 - 1
125341-42030	15 - 8-19	159012-10230	4 - 5	301016-52730	8 - 31
125341-42030	15 - 8-19	159016-05330	3 - 6	301016-52730	9 - 31
125342-52130	13 - 18	159016-05330	4 - 6	305110-42030	7 - 19
125342-52130	14 - 18	163401-55631	8 - 10	351100-22362	8 - 2
125344-13931	13 - 1	175000-56830	3 - 1	351100-22362	9 - 2
125344-13931	14 - 1	175000-56830	4 - 1	351110-22562	8 - 3
125344-52130	13 - 17	175000-56831	4 - 1	351110-22562	9 - 3
125344-52130	14 - 17	175005-42030	1 - 36	400111-22360	10 - 6
125381-46730	13 - 27	175005-42030	2 - 36	431610-22160	11 - 41

Index

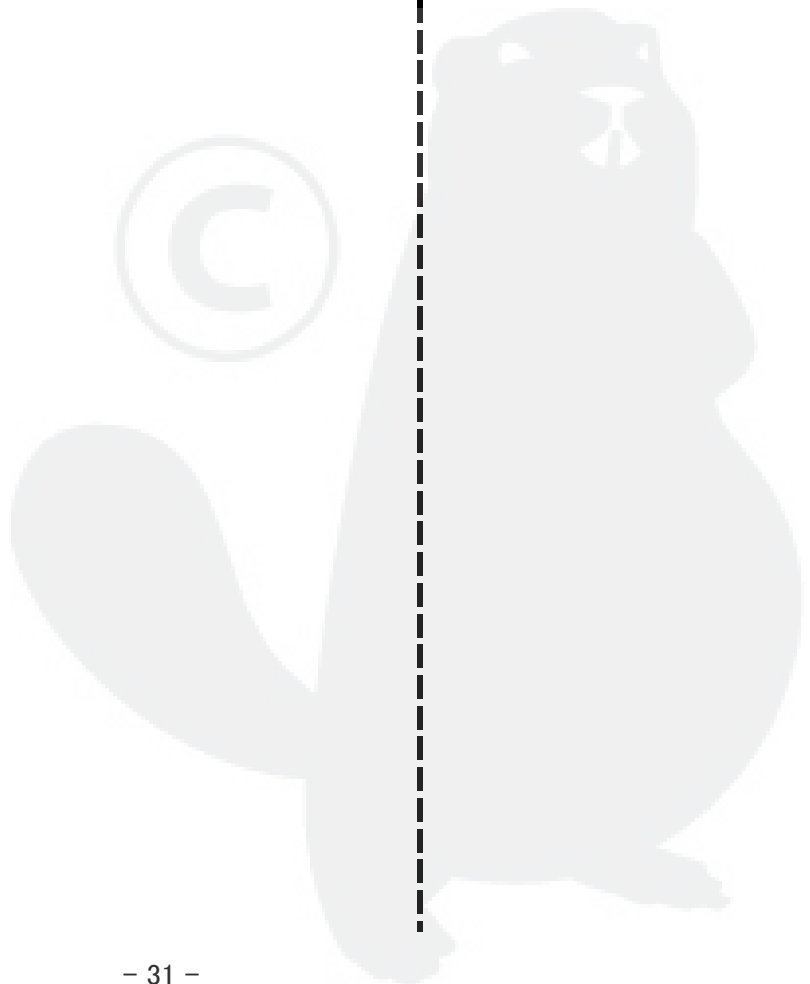
Patrs Number	Key No.	Patrs Number	Key No.	Patrs Number	Key No.
431610-22160	12 - 41	610282-22460	8 - 28	900109-05025	11 - 34
433014-03931	11 - 49	610282-22460	9 - 28	900109-05025	12 - 1
433014-03931	12 - 49	610298-22360	10 - 16	900109-05025	12 - 34
433016-39131	11 - 48	610335-22460	10 - 3	900151-05025	1 - 21
433016-39131	12 - 48	610850-22560	8 - 20	900151-05025	2 - 21
433019-03933	11 - 3	610850-22560	9 - 20	900162-04020	3 - 3
433019-03933	12 - 3	889960-22660	8 - 9	900162-04020	4 - 3
433345-22361	10 - 5	889960-22660	9 - 9	900162-04020	4 - 19
433345-22460	10 - 11	890011-22360	10 - 14	900162-05022	1 - 6
433345-22560	10 - 10	890011-22460	10 - 7	900162-05022	2 - 6
433345-22660	8 - 11	890068-24661	1 - 27	900162-05025	1 - 21
433345-22660	9 - 11	890068-24661	2 - 27	900162-05025	2 - 21
436012-37830	11 - 37	890118-49130	11 - 4	900162-05028	1 - 19
436012-37830	12 - 37	890118-49130	12 - 4	900162-05028	2 - 19
436205-02832	11 - 19	890118-49130	3 - 20	900163-04016	1 - 24
436205-02832	12 - 19	890118-49130	4 - 20	900163-04016	1 - 31
437002-39130	11 - 10	890157-39130	8 - 33	900163-04016	2 - 24
437002-39130	12 - 10	890157-39130	9 - 33	900163-04016	2 - 31
437015-37330	11 - 15	890160-22660	10 - 17	900163-04016	3 - 19
437015-37330	12 - 15	890332-52730	5 - 21	900163-04020	3 - 19
437016-39130	11 - 17	890332-52730	6 - 21	900220-05065	5 - 17
437016-39130	12 - 17	895112-00330	11 - 47	900220-05065	6 - 17
437019-38330	11 - 12	895410-39130	11 - 46	900238-04012	1 - 26
437019-38330	12 - 12	895410-39131	11 - 46	900238-04012	2 - 26
437024-37330	11 - 13	895410-39131	12 - 46	900238-05010	2 - 38
437024-37330	12 - 13	895610-00130	11 - 45	900238-05020	5 - 8
437029-37330	11 - 16	895610-00130	12 - 45	900238-05020	6 - 8
437029-37330	12 - 16	895612-03430	11 - 45	900238-05020	7 - 12
437062-37330	11 - 14	900031-50100	8 - 51	900242-04010	5 - 32
437062-37330	12 - 14	900031-50100	8 - 61	900242-04010	6 - 32
437063-38330	11 - 27	900031-50100	8 - 30	900253-05016	1 - 29
437063-38330	12 - 27	900031-50100	9 - 51	900253-05016	2 - 29
437244-39130	11 - 9	900031-50100	9 - 61	900500-00005	5 - 6
437244-39130	12 - 9	900031-50100	9 - 30	900500-00005	6 - 6
610011-22060	8 - 23	900053-00400	8 - 6	900600-00005	1 - 23
610011-22061	8 - 23	900053-00400	8 - 27	900600-00005	11 - 52
610011-22061	9 - 23	900053-00400	9 - 6	900600-00005	12 - 52
610011-22360	10 - 15	900053-00400	9 - 27	900600-00005	5 - 36
610012-22361	8 - 21	900053-00500	8 - 5	900600-00005	6 - 36
610012-22361	9 - 21	900053-00500	8 - 16	900603-00005	11 - 53
610025-22361	11 - 23	900053-00500	9 - 5	900603-00005	12 - 53
610025-22361	12 - 23	900053-00500	9 - 16	900603-00005	7 - 14
610105-22360	10 - 8	900105-05055	5 - 35	900603-00005	8 - 37
610111-22360	10 - 13	900105-05055	6 - 35	900603-00005	9 - 37
610210-22361	10 - 1	900109-05010	11 - 18	900605-00005	1 - 22
610222-22360	8 - 24	900109-05010	11 - 51	900701-00012	1 - 33
610222-22360	9 - 24	900109-05010	12 - 18	900701-00012	2 - 33
610282-22360	8 - 29	900109-05010	12 - 51	900702-00032	1 - 35
610282-22360	9 - 29	900109-05025	11 - 1	900702-00032	2 - 35

Index

Patrs Number	Key No.	Patrs Number	Key No.	Patrs Number	Key No.
900706-00012	11 - 24	C510-000120	8 - 15	P005-001250	14 - 12
900706-00012	12 - 24	C510-000120	9 - 15	P005-001260	13 - 11
900802-06002	10 - 12	C525-000000	8 - 13	P005-001260	14 - 11
900814-06201	1 - 34	C525-000000	9 - 13	P005-001270	13 - 30
900814-06201	2 - 34	C531-000030	11 - 2	P005-001270	14 - 30
91107-04008	5 - 37	C531-000030	12 - 2	P005-001320	13 - 7
91107-04008	6 - 37	C531-000040	11 - 39	P005-001320	14 - 7
91109-05016	11 - 33	C534-000180	11 - 28	P005-001330	13 - 6
91109-05016	12 - 33	C534-000400	12 - 28	P005-002010	14 - 6
94035-36201	1 - 16	C580-000070	11 - 8	P021-000950	11 - 36
94035-36201	2 - 16	C580-000070	12 - 8	P021-000951	11 - 36
94042-06001	11 - 25	P005-000010	13 - 10	P021-000951	12 - 36
94042-06001	12 - 25	P005-000010	14 - 10	P021-002861	11 - 44
A011-000101	1 - 3	P005-000010	15 - 8-10	P021-002861	12 - 44
A011-000101	2 - 3	P005-000100	13 - 4	P021-003531	8 - 50
A021-000740	13 -	P005-000100	14 - 4	P021-003531	9 - 50
A021-000740	5 - 10	P005-000190	13 - 3	P021-003540	8 - 60
A021-001460	14 -	P005-000190	14 - 3	P021-003540	9 - 60
A021-001460	6 - 10	P005-000200	13 - 20	P021-004480	5 - 14
A101-000090	1 - 9	P005-000200	14 - 20	P021-004480	6 - 14
A101-000090	2 - 9	P005-000200	15 - 8-20	P021-005391	11 - 50
A130-000540	1 - 5	P005-000200	15 - 8-20	P021-007420	5 - 28
A130-000540	2 - 5	P005-000250	13 - 28	P021-007420	6 - 28
A160-000590	1 - 28	P005-000250	14 - 28	P021-007711	1 - 8
A160-000590	2 - 28	P005-000270	13 - 26	P021-007712	1 - 8
A162-000070	1 - 30	P005-000270	14 - 26	P021-007712	2 - 8
A162-000070	2 - 30	P005-000280	13 - 8	P021-009710	11 - 50
A313-000580	5 - 31	P005-000280	14 - 8	P021-011610	12 - 50
A313-000580	6 - 31	P005-000510	13 - 22	V043-000210	9 - 18
A350-000291	7 - 15	P005-000510	14 - 22	V100-000160	1 - 7
A356-000030	7 - 5	P005-000510	15 - 8-22	V100-000160	2 - 7
A365-000050	11 - 38	P005-000510	15 - 8-22	V104-000510	5 - 38
A365-000050	12 - 38	P005-000520	13 - 23	V104-000510	6 - 38
A409-000210	3 - 2	P005-000520	14 - 23	V137-000030	7 - 8
A409-000210	4 - 2	P005-000520	15 - 8-23	V150-001640	3 - 24
A411-000130	3 - 4	P005-000520	15 - 8-23	V150-001640	4 - 24
A411-000130	4 - 4	P005-000550	15 -	V204-000090	8 - 26
A425-000000	3 - 7	P005-000930	13 - 25	V204-000090	9 - 26
A425-000000	4 - 7	P005-000930	14 - 25	V224-000000	11 - 40
C051-000120	11 - 39	P005-000940	13 - 13	V224-000000	12 - 40
C051-000120	12 - 39	P005-000940	14 - 13	V253-000000	11 - 1
C200-000000	11 - 31	P005-000940	15 - 8-13	V253-000010	11 - 18
C200-000000	12 - 31	P005-000950	15 -	V253-000020	11 - 34
C300-000001	11 - 5	P005-001000	13 - 9	V253-000030	11 - 33
C300-000001	12 - 5	P005-001000	14 - 9	V354-000010	11 - 30
C410-000090	8 - 4	P005-001000	15 - 8-9	V354-000010	12 - 30
C410-000090	9 - 4	P005-001240	13 - 2	V430-000671	8 - 18
C510-000050	8 - 15	P005-001240	14 - 2	V430-001380	8 - 18
C510-000050	9 - 15	P005-001250	13 - 12	V470-000180	11 - 22

Index

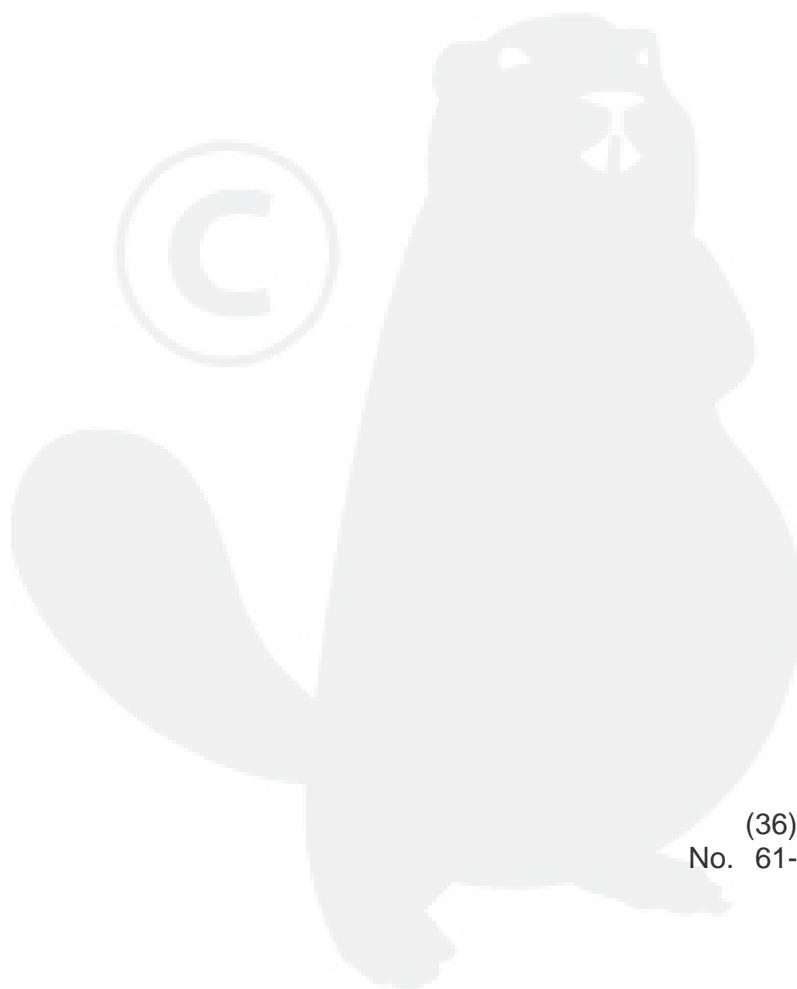
Patrs Number	Key No.	Patrs Number	Key No.	Patrs Number	Key No.
V470-000180	12 - 22				
V471-001190	7 - 11				
V471-001200	7 - 7				
V485-000290	3 - 21				
V485-000290	4 - 21				
V553-000010	1 - 4				
V553-000010	2 - 4				
V583-000010	11 - 6				
V583-000010	12 - 6				
V645-000000	8 - 22				
V645-000000	9 - 22				
V651-000042	11 - 26				
V651-000111	11 - 29				
V651-000200	11 - 29				
V651-000201	12 - 29				
V651-000210	11 - 26				
V651-000210	12 - 26				
X101-000070	11 - 42				
X101-000070	12 - 42				
X221-000040	12 - 41				
X490-000060	11 - 43				
X490-000060	12 - 43				
X547-000910	2 - 27				



YAMABIKO CORPORATION

7-2 SUEHIROCHO 1-CHOME, OHME, TOKYO 198-8760, JAPAN
PHONE: 81-428-32-6118. FAX: 81-428-32-6145.

ECHO®



(36)
No. 61-056