



PARTS CATALOG

POWER PRUNER

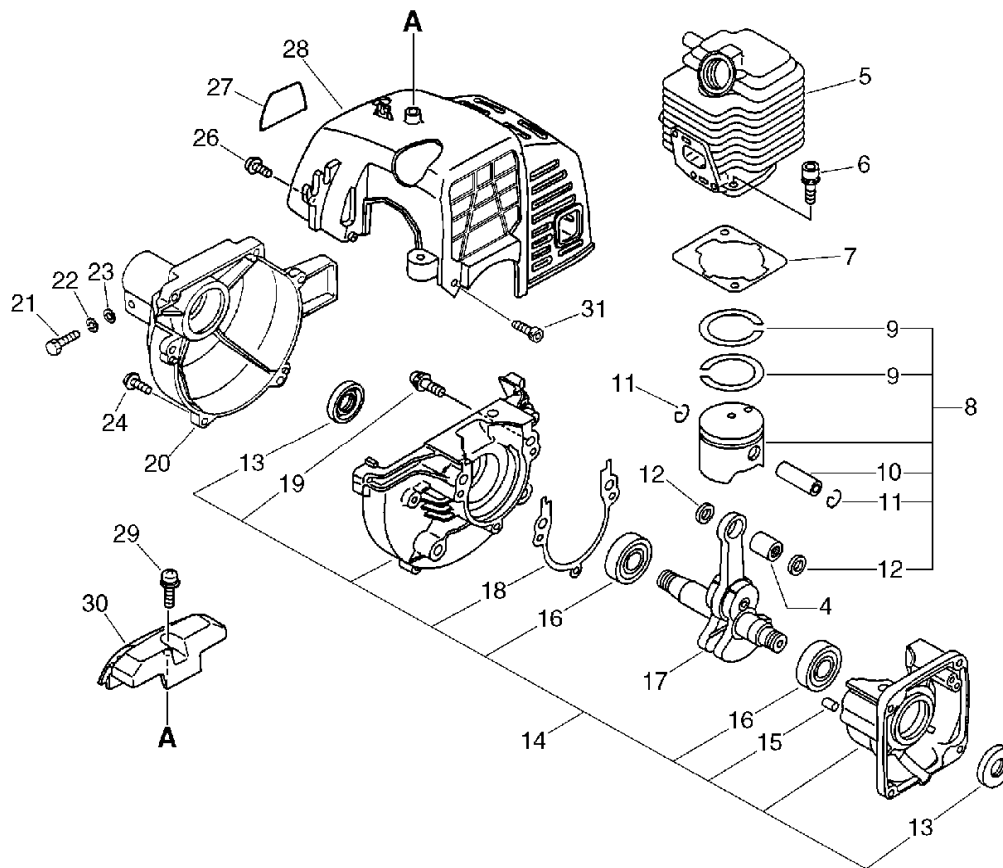
PPFD-2400



PPFD-2400

1. Cylinder, Crankcase, Piston, Fan Cover

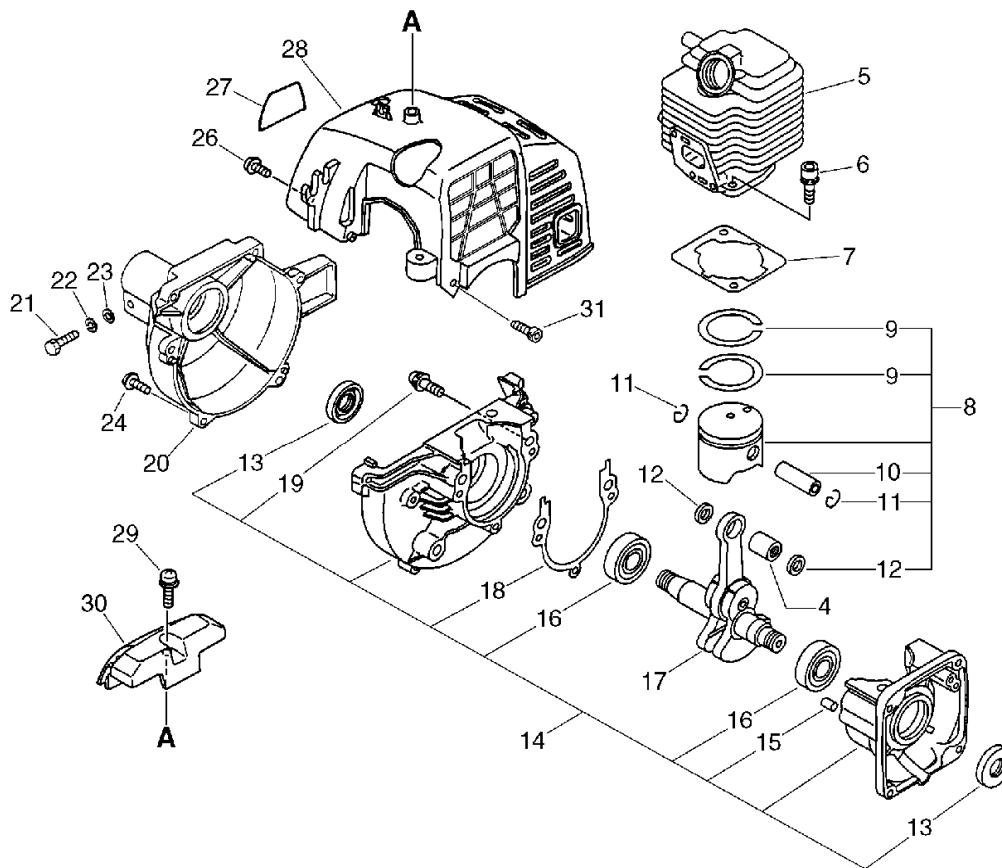
No.1



KEY	LV	PART NUMBER	Q'TY	DESCRIPTION	REMARKS	NOTE1	NOTE2
5		101011-08961	1	CYLINDER (CR)			
6		900162-05022	2	BOLT, H.S. 5*22	5*22 W,SW		
7		101010-44332	1	GASKET, CYL. BASE			
8		100000-09563	1	PISTON KIT			
9	+	100011-09560	2	RING, PISTON			
10	+	100013-11520	1	PIN, PISTON			
11	+	100015-04630	2	CIRCLIP, PISTON PIN			
12	+	100014-11520	2	SPACER, PISTON PIN			
14		100204-52130	1	CRANKCASE KIT		Sus. by 100204-52132	
14		100204-52131	1	CRANKCASE KIT		Sus. by 100204-52132	
14		100204-52132	1	CRANKCASE KIT			
13	+	100212-42030	2	OILSEAL	ISCD12*22*4.5	Sus. by 100212-42031	
13	+	100212-42031	2	OILSEAL	ISCD 12*22*4.5		
15	+	100215-03930	2	PIN, DOWEL			
16	+	900810-36201	2	BEARING, BALL 6201	6201/C3	Sus. by 94035-36201	
16	+	94035-36201	2	BEARING BALL	6201X3JR2C3		
18	+	100242-42030	1	GASKET, CRANKCASE			
19	+	900162-05028	3	BOLT, H.S. 5*28	5*28 W,SW		
17		100100-44732	1	CRANKSHAFT ASSY		Sus. by A011-000101	

1. Cylinder, Crankcase, Piston, Fan Cover

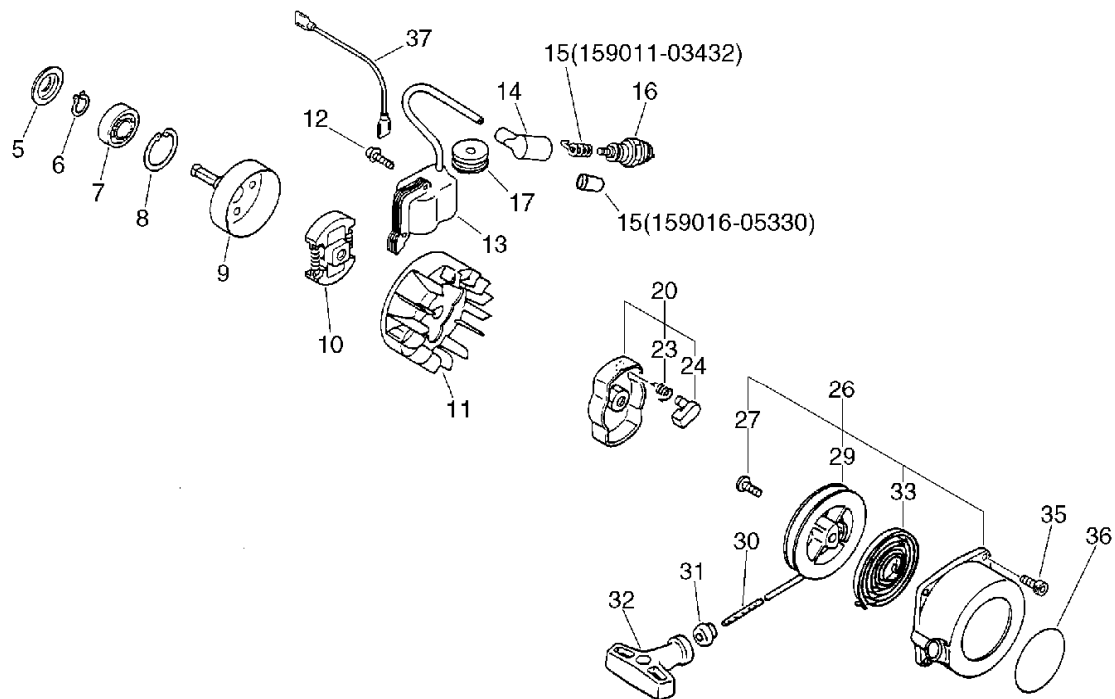
No.1



KEY	LV	PART NUMBER	Q'TY	DESCRIPTION	REMARKS	NOTE1	NOTE2
17		A011-000100	1	CRANKSHAFT,ASM		Sus. by A011-000101	
17		A011-000101	1	CRANKSHAFT,ASM			
4	+	100012-51230	1	BEARING, NEEDLE	8*12*10	Sus. by V553-000010	
4	+	V553-000010	1	BEARING,NEEDLE 8	HK0810		
20		101511-52730	1	COVER, FAN			
21		900151-05025	1	BOLT 5*25	5*25 S45C	Sus. by 900162-05025	
21		900162-05025	1	BOLT, H.S. 5*25	5*25 W,SW		
22		900605-00005	1	WASHER, SPRING 5	5	Disuse	
23		900600-00005	1	WASHER 5	5	Disuse	
24		900163-04016	4	BOLT HSH			
26		900238-04012	2	SCREW 4*12	4*12		
27		890065-24660	1	LABEL, MODEL			
28		101514-52731	1	COVER, CYLINDER			
29		900253-05016	1	SCREW	5*16		
30		159912-44530	1	GUARD, TOP			
31		900163-04016	2	BOLT HSH			

2. Starter, Magneto, Clutch

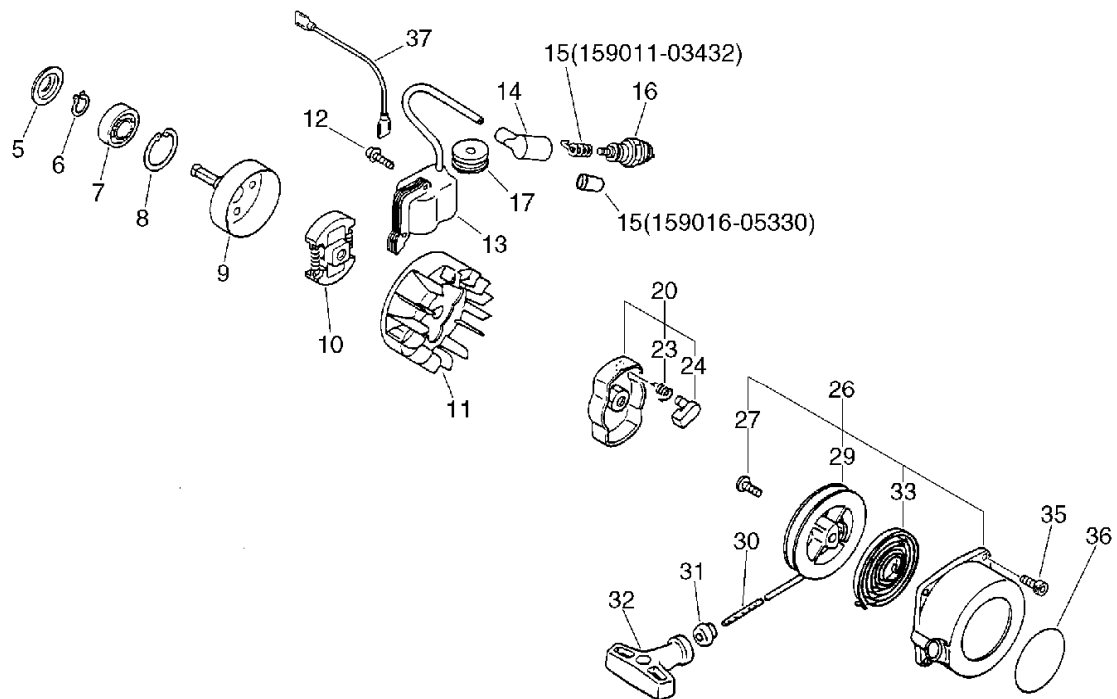
No.2



KEY	LV	PART NUMBER	Q'TY	DESCRIPTION	REMARKS	NOTE1	NOTE2
5		175053-04920	1	STOPPER			
6		900701-00012	1	CIRCLIP 12	CS-12		
7		900814-06201	1	BEARING, BALL 6201	6201ZZ		
8		900702-00032	1	CIRCLIP 32	CR-32		
9		175005-42030	1	DRUM, CLUTCH			
10		175000-56830	1	CLUTCH ASSY			
11		156801-09660	1	FLYWHEEL			
12		900162-04022	2	BOLT, H.S. 4*22	4*22 W,SW		
13		156626-52730	1	COIL, IGNITION			
14		159012-01620	1	CAP, SPARK PLUG		Sr/Nr 001050 and before	
14		159012-10230	1	CAP, SPARK PLUG		Sr/Nr 001051 and after	
15		159011-03432	1	COIL, SPARK PLUG		Sr/Nr 001050 and before	
15		159016-05330	1	ADAPTER, PLUG CAP		Sr/Nr 001051 and after	
16		159010-10230	1	PLUG, SPARK (BPMR-7A)	BPMR-7A		
17		150112-44330	1	BUSHING			
20		177202-44330	1	PAWL ASSY, STARTER		Sus. by 177202-44331	
20		177202-44331	1	PAWL ASM., STARTER			
23	+	177234-42030	1	SPRING, RETURN			
24	+	177218-44330	1	PAWL, STARTER	BLACK		
26		177200-42033	1	STARTER ASSY			
27	+	177236-44330	1	SCREW			

2. Starter, Magneto, Clutch

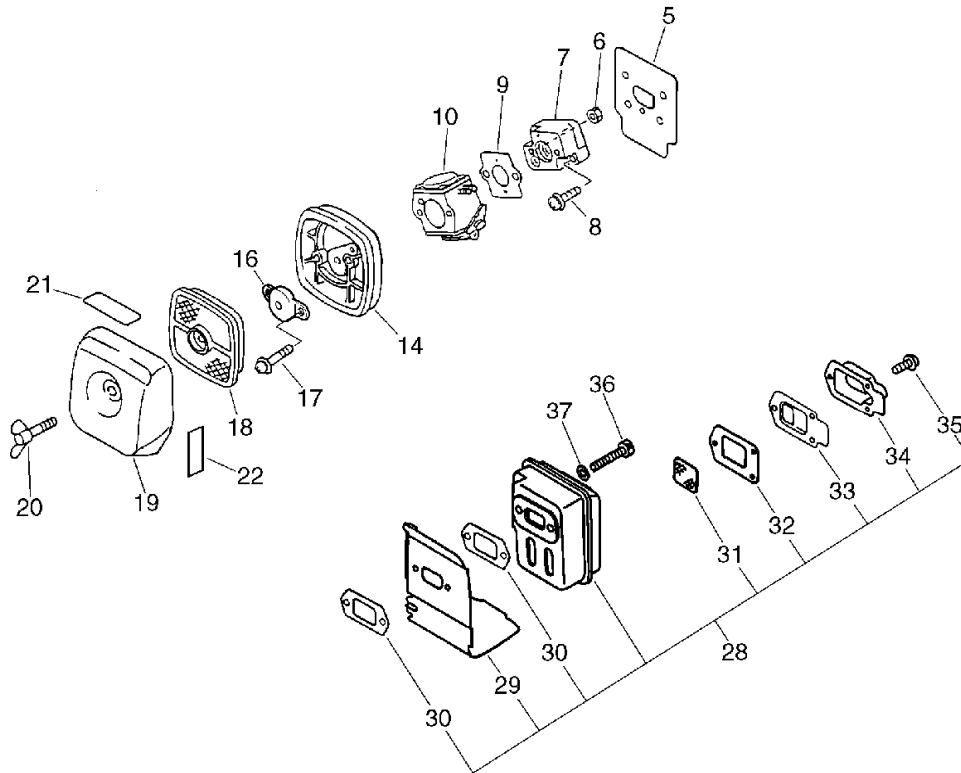
No.2



KEY	LV	PART NUMBER	Q'TY	DESCRIPTION	REMARKS	NOTE1	NOTE2
29	+	177215-44430	1	DRUM, STARTER			
30	+	177226-10120	1	ROPE, STARTER	3.0*1000		
31	+	177227-42030	1	GUIDE, ROPE			
32	+	177228-06530	1	GRIP, STARTER			
33	+	177220-42030	1	SPRING, REWIND			
35		900163-04016	2	BOLT HSH			
36		890118-49130	1	LABEL, ECHO			
37		162010-52830	1	LEAD, GROUND			

3. Air Cleaner, Muffler

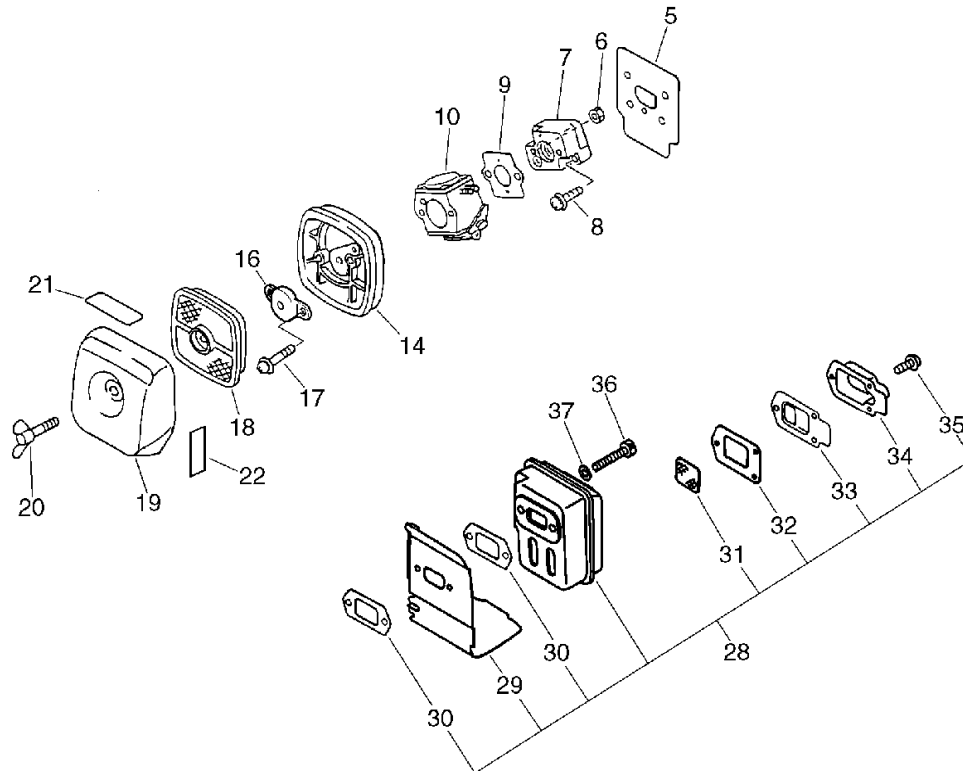
No.3



KEY	LV	PART NUMBER	Q'TY	DESCRIPTION	REMARKS	NOTE1	NOTE2
5		130010-42032	1	GASKET,INTAKE			
6		900500-00005	2	NUT 5	5		
7		130017-42031	1	INSULATOR, INTAKE			
8		900238-05020	2	SCREW 5*20	5*20		
9		130010-05960	1	GASKET, INTAKE			
10		123000-52132	1	CARBURETOR ASSY	WT424B	Sus. by 123000-52133	
10		123000-52133	1	CARBURETOR WT-424C	WT-424C		
14		130307-06761	1	CASE,AIR CLEANER			
16		129011-06360	1	PLATE, PREVENT		Sus. by 129011-06361	
16		129011-06361	1	PLATE, PREVENT			
17		900242-05065	2	SCREW 5*65	5*65		
18		130310-54130	1	FILTER, AIR			
19		130313-05863	1	LID, AIR CLEANER			
20		210417-52730	1	BOLT, WING	5*20		
21		890335-52730	1	LABEL, METERING		Sus. by 890334-52730	
21		890334-52730	1	LABEL, METERING			
22		890121-52730	1	LABEL, CHOKE		Sus. by 890332-52730	
22		890332-52730	1	LABEL, CHOKE			
28		145800-52630	1	MUFFLER ASSY		Sus. by 145800-52633	
28		145800-52631	1	MUFFLER ASY (SAM)		Sus. by 145800-52633	

3. Air Cleaner, Muffler

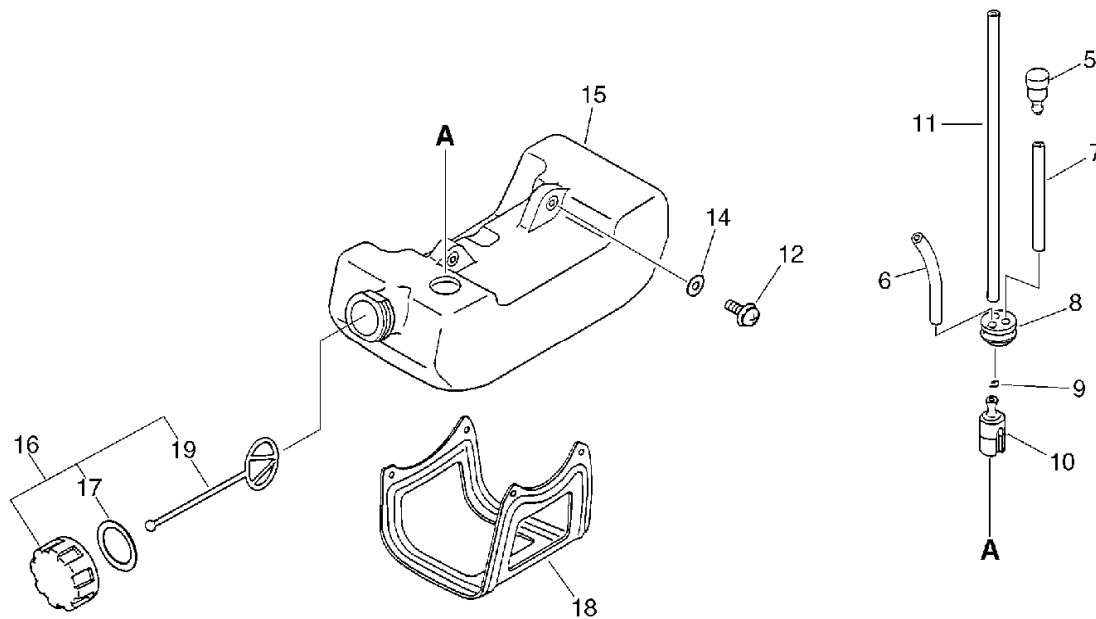
No.3



KEY	LV	PART NUMBER	Q'TY	DESCRIPTION	REMARKS	NOTE1	NOTE2
28		145800-52632	1	MUFFLER ASY (SAM)		Sus. by 145800-52633	
28		145800-52633	1	MUFFLER ASY (SAM)			
29	+	145871-44331	1	COVER, MUFFLER		Sus. by A320-000251	
29	+	145631-42030	1	COVER, MUFFLER		Sus. by A320-000251	
29	+	A320-000250	1	COVER, MUFFLER		Sus. by A320-000251	
29	+	A320-000251	1	COVER, MUFFLER			
30	+	145510-42031	2	GASKET, MUFFLER		Sus. by V104-000160	
30	+	V104-000160	2	GASKET, EXHAUST			
31	+	145862-40630	1	SCREEN, MUFFLER			
32	+	145866-42031	1	GASKET, MUFFLER LID			
33	+	145876-42030	1	LID, MUFFLER (B)			
34	+	145818-52130	1	GUIDE, EXHAUST			
35	+	900238-04010	3	SCREW 4*10	4*10		
36		900105-05055	2	BOLT, H.S. 5*55	5*55		
37		900600-00005	2	WASHER 5	5		

4. Fuel Tank

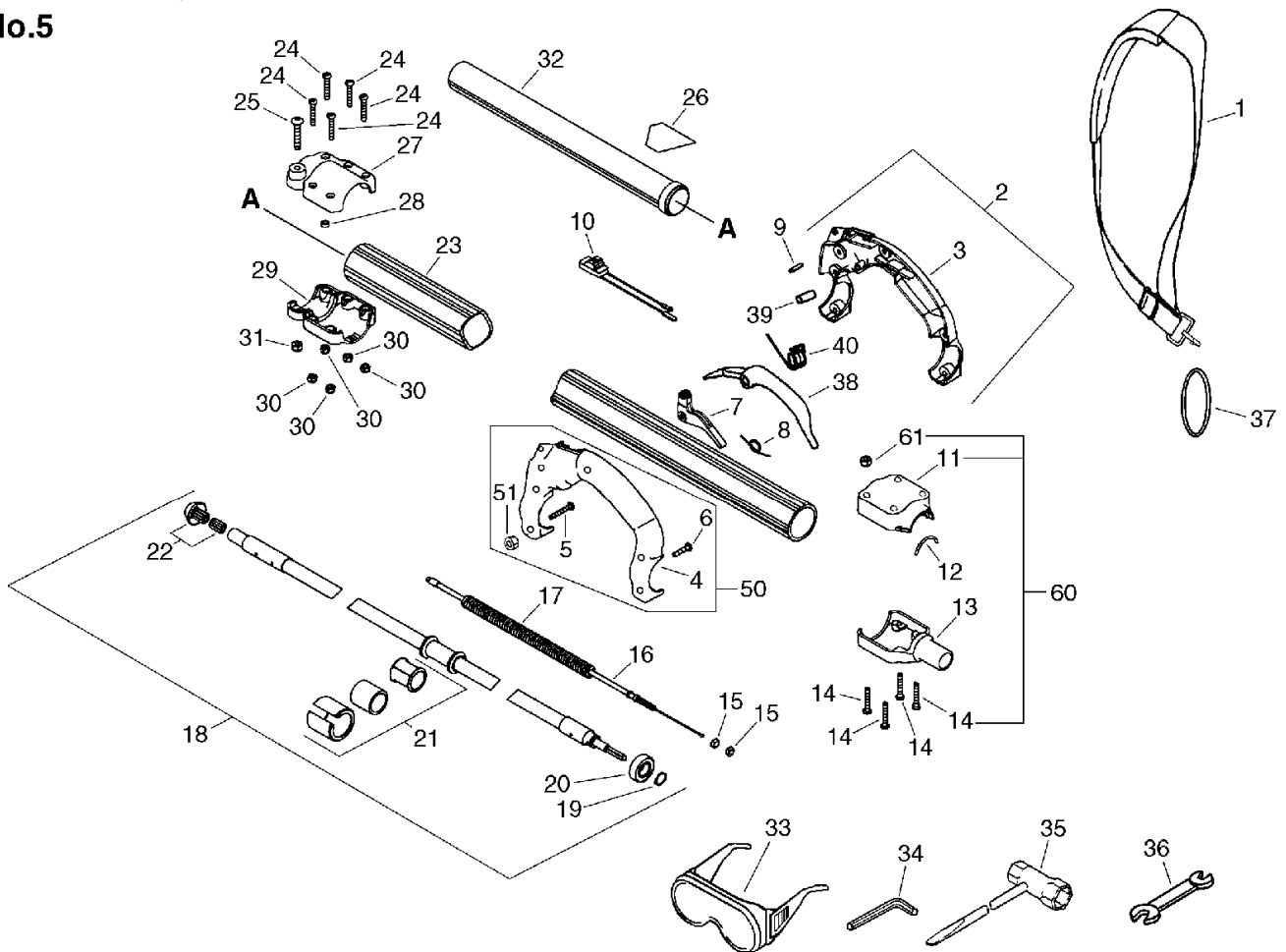
No.4



KEY	LV	PART NUMBER	Q'TY	DESCRIPTION	REMARKS	NOTE1	NOTE2
5		131300-56430	1	VALVE, CHECK		Sus. by A356-000030	
5		A356-000030	1	VALVE,CHECK			
6		132010-56330	1	PIPE 3*6*90	3*6*90 YL		
7		131312-39130	1	PIPE	3*5*70(+3)NBR	Sus. by V471-001200	
7		V471-001200	1	PIPE	3*5*70 NBR		
8		132115-46730	1	GROMMET, FUEL		Sus. by V137-000030	
8		V137-000030	1	GROMMET,FUEL			
9		132013-09820	1	CLIP	6MM		
10		131205-07320	1	STRAINER, FUEL			
11		132010-13930	1	PIPE, FUEL	3*5*180L NBR	Sus. by V471-001190	
11		V471-001190	1	PIPE	3*5*180 NBR		
12		900238-05016	2	SCREW 5*16	5*16		
14		900603-00005	2	WASHER 5	5.5*12*0.8		
15		131005-46830	1	TANK, FUEL		Sus. by 131005-46831	
15		131005-46831	1	TANK, FUEL			
16		131004-55830	1	CAP ASSY, FUEL TANK		Sus. by 131004-08960	
16		131004-08960	1	CAP ASSY, FUEL			
17	+	131016-55830	1	GASKET, FUEL CAP			
19	+	131051-52430	1	CONNECTOR, CAP	80L		
18		305110-42030	1	STAND (BL)			

5. Handle, Tools

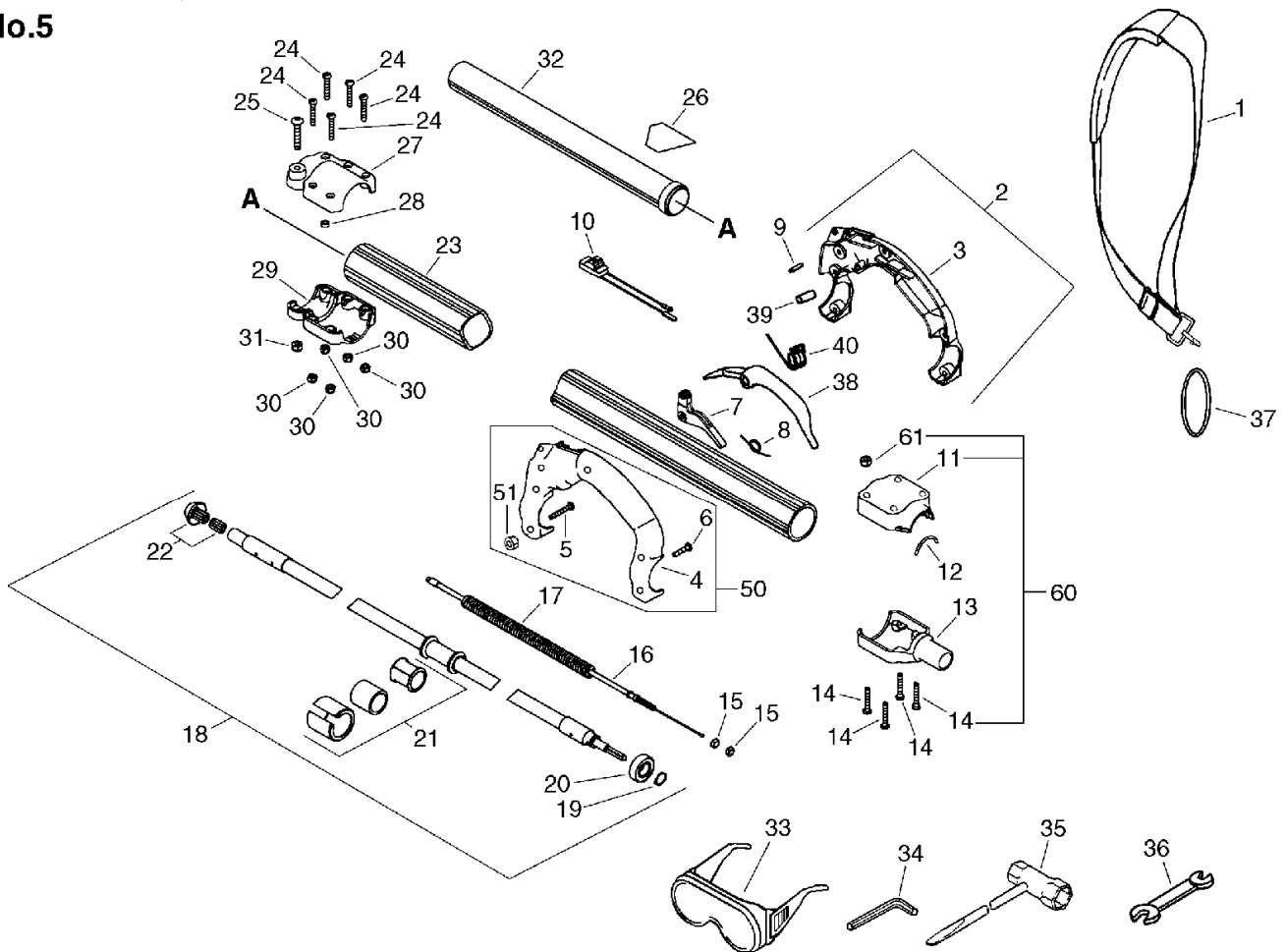
No.5



KEY	LV	PART NUMBER	Q'TY	DESCRIPTION	REMARKS	NOTE1	NOTE2
1		301000-22060	1	HARNES ASY,SHOULDER		TT No.0023	
2		351100-22560	1	HANDLE ASY, REAR		Sus. by 351100-22362	
2		351100-22360	1	HANDLE SET, REAR		Sus. by 351100-22362	
2		351100-22361	1	HANDLE SET, REAR		Sus. by 351100-22362	
2		351100-22362	1	HANDLE SET, REAR			
3	+	351129-22360	1	HANDLE, REAR		TT No.0170 Sr/Nr 001050 and before	
3	+	351110-22560	1	HANDLE, REAR		Sus. by 351110-22561	
3	+	351110-22561	1	HANDLE, REAR		Sr/Nr 001051 and after	
4	+	351101-22360	1	HANDLE REAR		TT No.0017 Sr/Nr 001050 and before	
4	+	351101-22560	1	HANDLE , REAR		Sus. by P021-003531	
4	+	351101-22561	1	HANDLE, REAR		Sus. by P021-003531	
5	+	900053-00400	4	SCREW		TT No.45140 Can be used on 351100-22560,-22360 only	

5. Handle, Tools

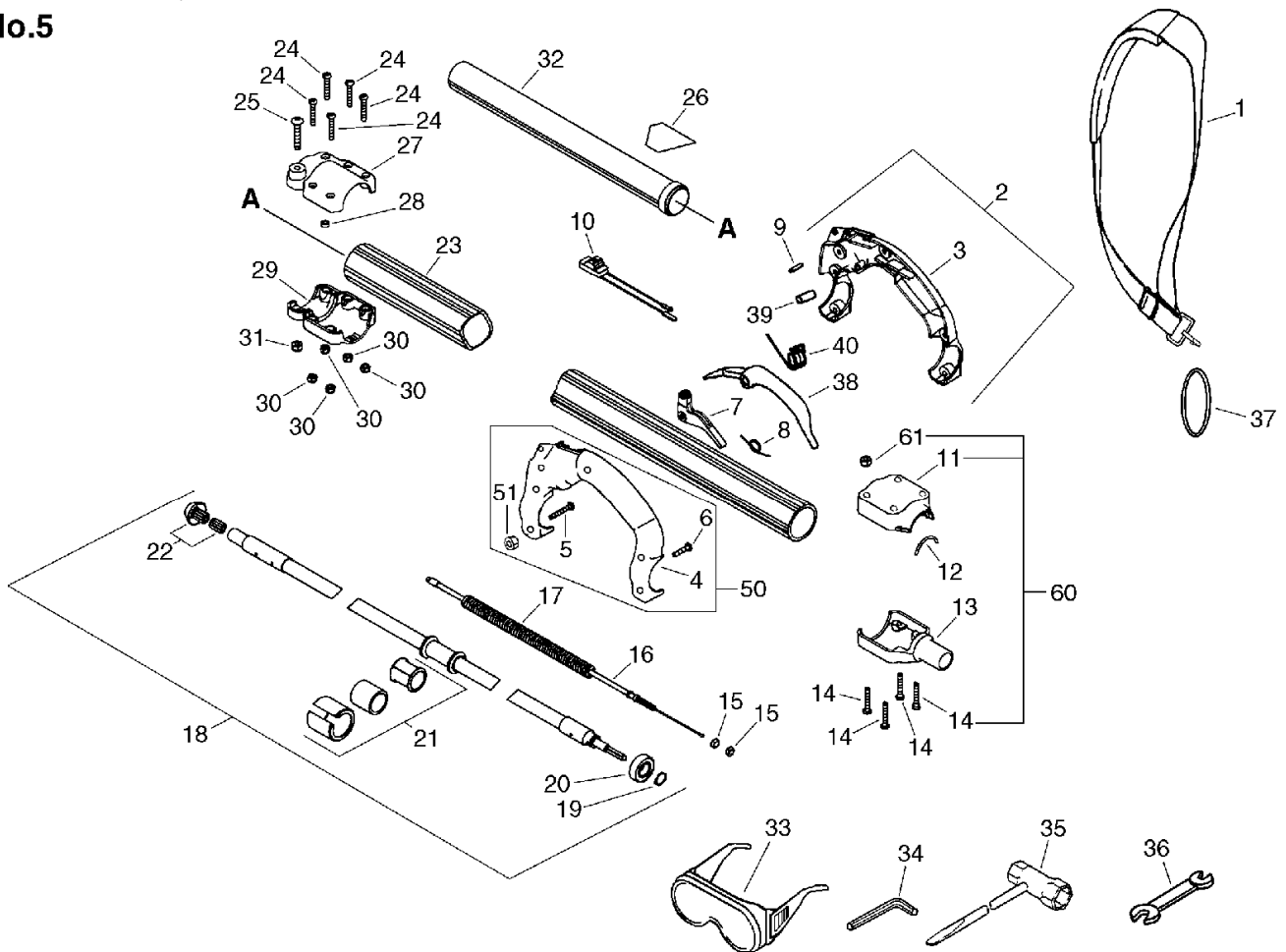
No.5



KEY	LV	PART NUMBER	Q'TY	DESCRIPTION	REMARKS	NOTE1	NOTE2
6	+	900053-00300	2	SCREW			TT No.45130 Can be used on 351100-22560,-22360 only
50	+	P021-003530	1	HANDLE ASY			Sus. by P021-003531
50	+	P021-003531	1	HANDLE ASY			
4	++	C410-000090	1	HANDLE,REAR	PP THROT LOCKOUT		
5	++	900053-00400	6	SCREW			Can be used on the P021-003530 only
5	++	900053-00400	2	SCREW			Can be used on the P021-003531 only
6	++	900053-00500	4	SCREW, PAN HEAD			Can be used on the P021-003531 only
51	++	900031-50100	6	LOCKNUT			
7		178010-05631	1	CONTROL, THROTTLE			Sr/Nr 001050 and before
7		178010-22560	1	TRIGGER, THROTTLE			Sus. by C450-000090
7		C450-000090	1	TRIGGER,THROTTLE			Sr/Nr 001051 and after
8		178043-22360	1	SPRING			TT No.0180

5. Handle, Tools

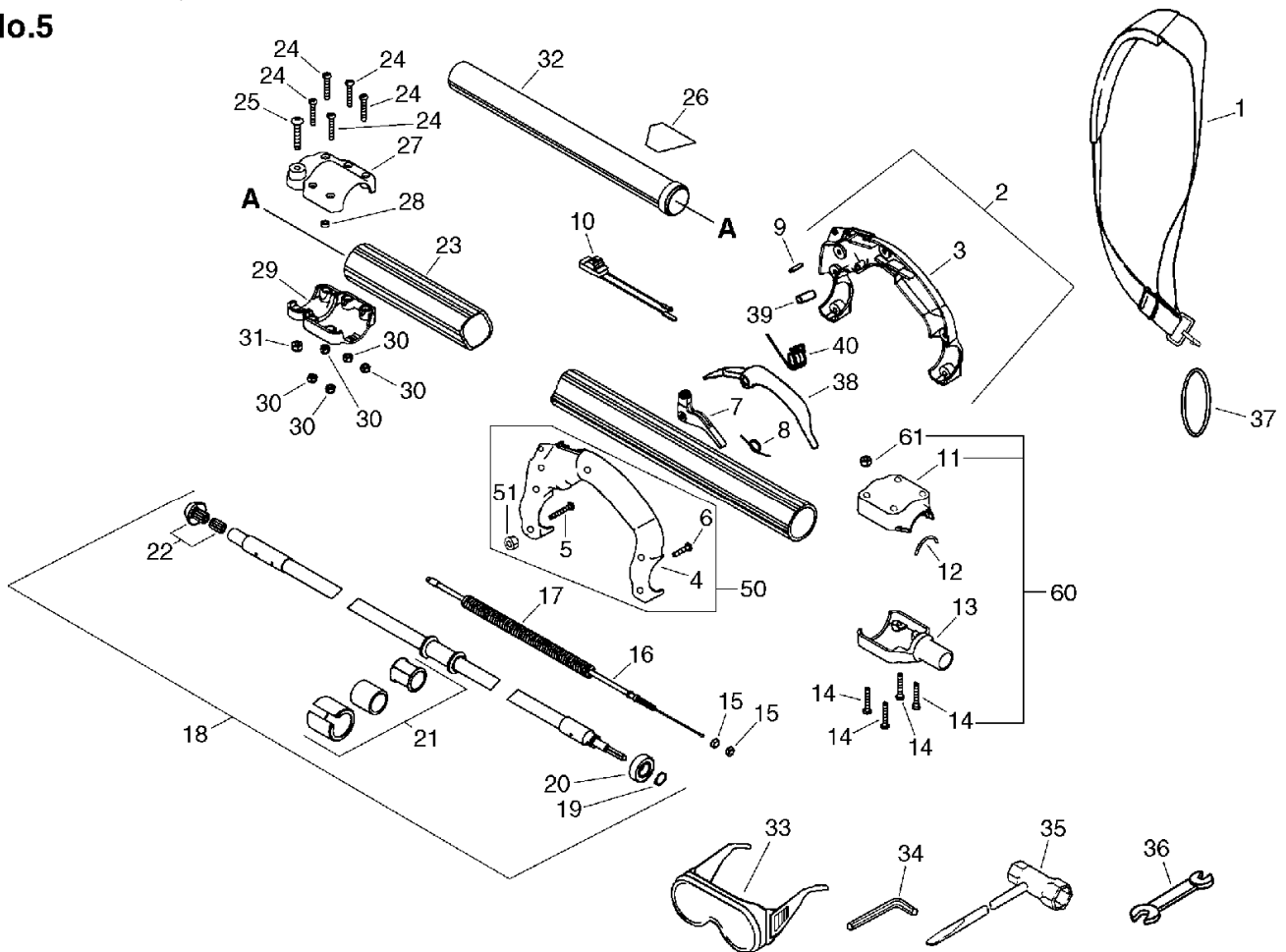
No.5



KEY	LV	PART NUMBER	Q'TY	DESCRIPTION	REMARKS	NOTE1	NOTE2
9		889960-22660	1	PIN, STRAIGHT		TT No.0021.13	
10		163400-49230	1	SWITCH, IGNITION		Sus. by 163401-55631	
10		163401-55631	1	SWITCH, IGNITION			
11		610810-22360	1	CAP, PIPE		Sus. by P021-003540	
60		P021-003540	1	CAP, MAIN PIPE ASY			
11	+	C525-000000	1	CAP, MAIN PIPE			
14	+	900053-00500	4	SCREW, PAN HEAD		Can be used on the P021-003540	
61	+	900031-50100	4	LOCKNUT			
14		900053-00400	4	SCREW		TT No.45140 Can be used on the 610810-22360 only	
12		104910-22460	1	CUSHION		TT No.0167	
13		610248-22361	1	CONNECTOR, PIPE		Sus. by C510-000120	
13		610248-22362	1	CONNECTOR, PIPE		Sus. by C510-000120	
13		610248-22360	1	CONNECTOR, PIPE		Sus. by C510-000120	

5. Handle, Tools

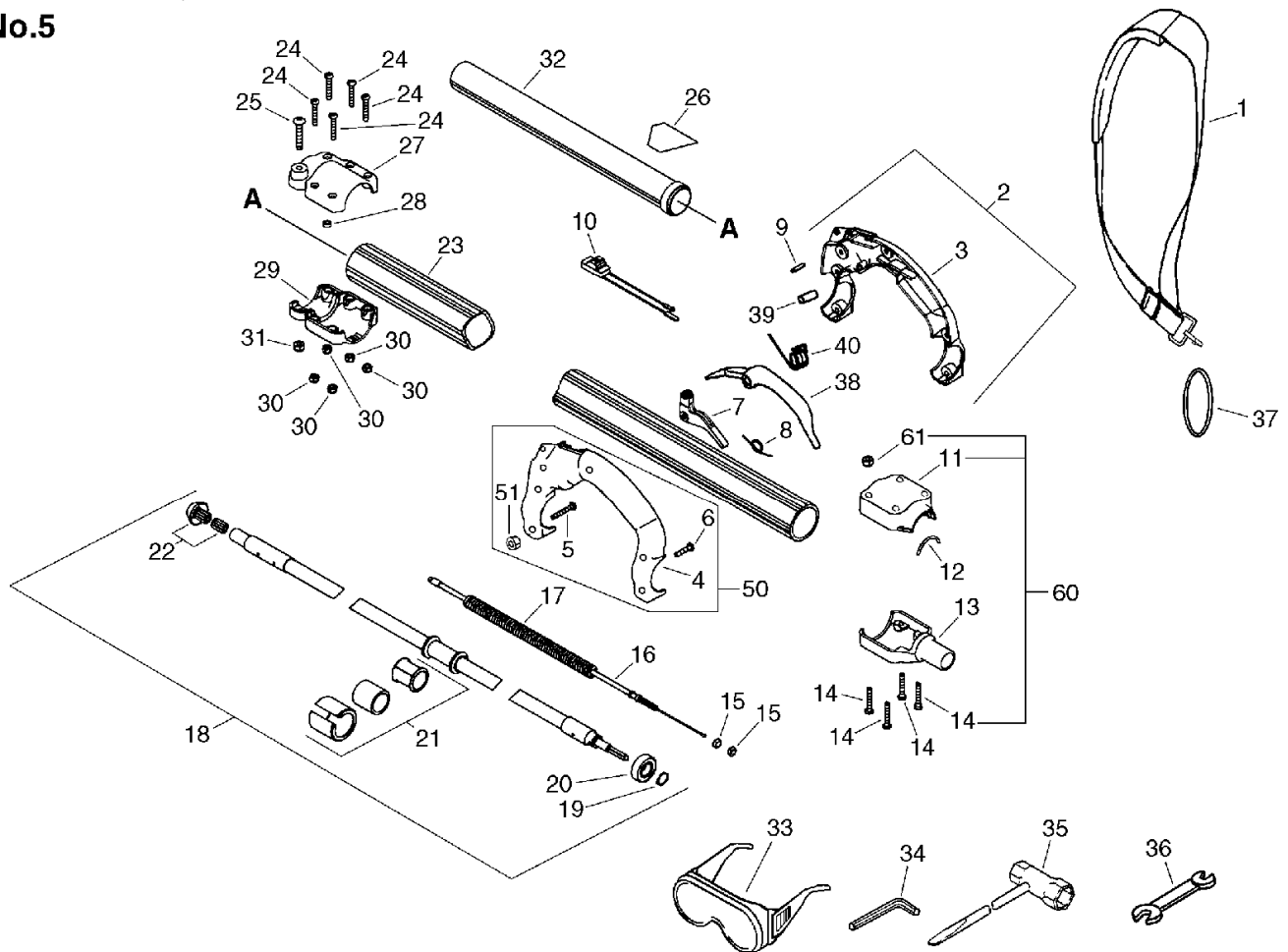
No.5



KEY	LV	PART NUMBER	Q'TY	DESCRIPTION	REMARKS	NOTE1	NOTE2
13		C510-000050	1	COUPLING, MAIN PIPE			TT No.0016.2 Sus. by C510-000120
13		C510-000120	1	COUPLING, MAIN PIPE			
15		900502-00006	2	NUT 6 (3N)	3N6		
16		178001-51030	1	WIRE, THROTTLE			TT No.20019.2
17		178016-22360	1	TUBE			TT No.0190
18		610006-22560	1	SHAFT ASY. DRIVE			TT No.1415
19	+	100229-22460	1	RING			TT No.0021.22
20	+	900802-06002	1	BEARING, BALL 6002	6002DDU(LLU)		TT No.0116
21	+	433307-22560	1	GUIDE, SHAFT			TT No.0437
22	+	610298-22360	1	SOCKET, SHAFT			TT No.0144
23		610210-22060	1	PIPE, MAIN			TT No.0412
24		900053-00400	5	SCREW			TT No.45140
25		900065-00300	1	SCREW, TRUSS			
26		890160-22660	1	LABEL, CAUTION			
27		610282-22460	1	COLLAR, MAIN PIPE			TT No.20013
28		610611-22560	1	HOLDER, MAIN PIPE			TT No.0425
29		610282-22360	1	COLLAR, MAIN PIPE			TT No.20130
30		900031-50100	5	LOCKNUT			TT No.45170
31		900031-00100	1	LOCKNUT			TT No.0021.54
32		605206-22160	1	PIPE MAIN			Sus. by 605206- 22161

5. Handle, Tools

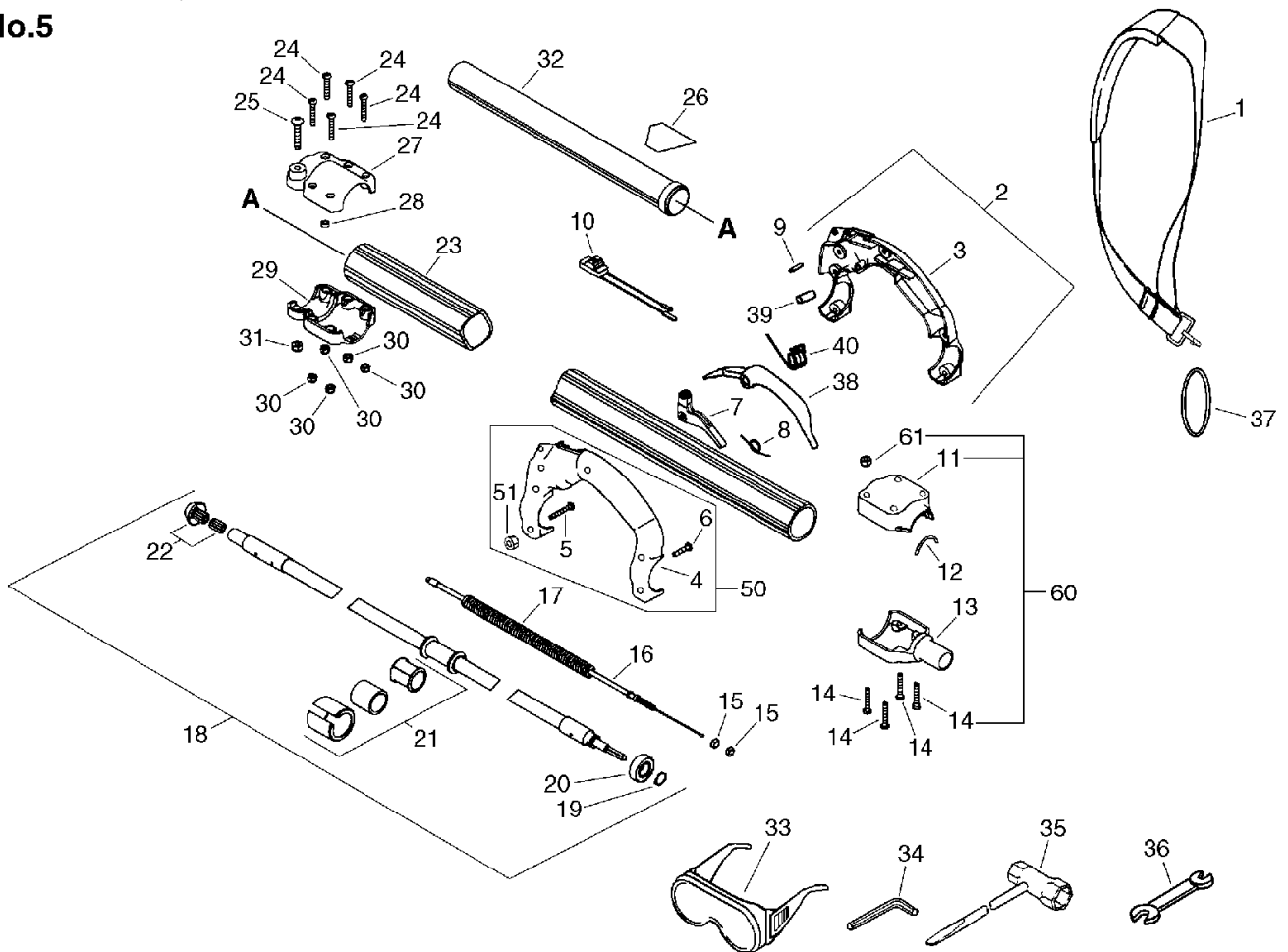
No.5



KEY	LV	PART NUMBER	Q'TY	DESCRIPTION	REMARKS	NOTE1	NOTE2
32		605206-22161	1	PIPE, MAIN	TOP		
33		899580-40930	1	GOGGLE		Sus. by P021-002861	
33		899580-68730	1	SAFETY GLASSES		Sus. by P021-002861	
33		P021-002861	1	GOGGLES			
34		895612-03430	1	L-WRENCH (3MM)		TT No.0272 Sus. by 895610-00130	
34		895610-00130	1	L-WRENCH (4MM)			
35		895415-22160	1	WRENCH, SPCKET		Sus. by 895410-39131	
35		895410-39130	1	WRENCH, W/S-DRIVER		Sus. by 895410-39131	
35		895410-39131	1	WRENCH, W/S-DRIVER			
36		895415-22260	1	SPANNER		Sus. by 895112-00330	
36		895112-00330	1	SPANNER 8*10			
37		301016-52730	1	RING,HARNESS			
38		178090-22560	1	LOCKOUT, THR.CONTROL		Sr/Nr 001051 and after	
39		610850-22560	1	COLLAR		Sr/Nr 001051 and after	
40		178043-22560	1	SPRING		Sus. by 178043-22562	

5. Handle, Tools

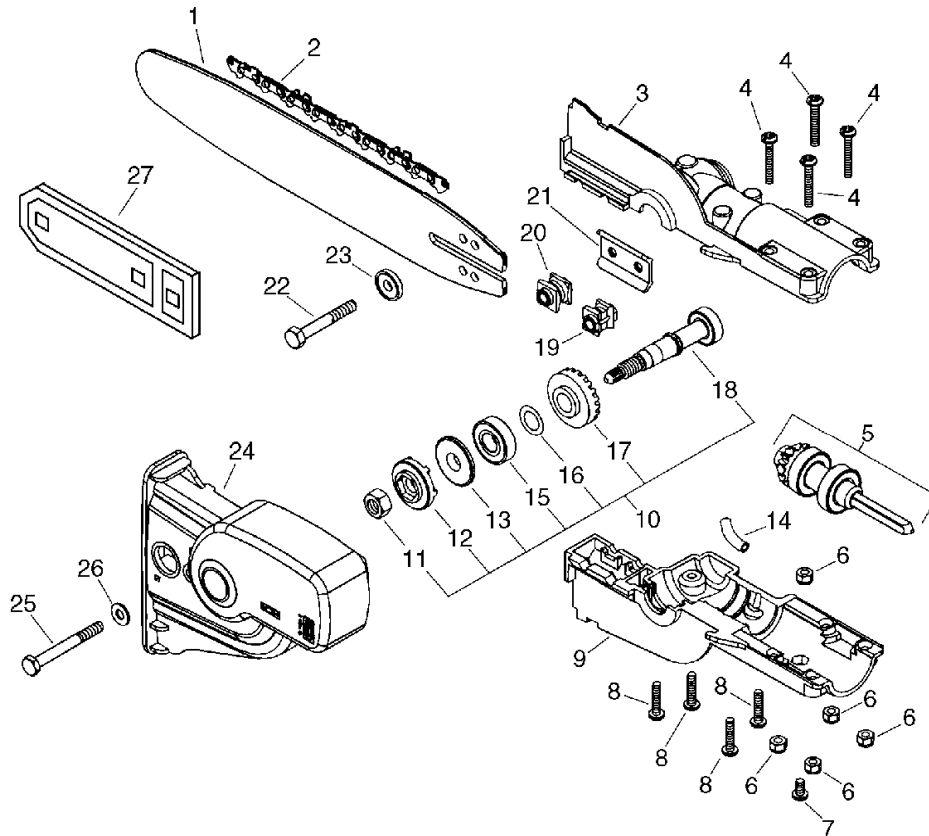
No.5



KEY	LV	PART NUMBER	Q'TY	DESCRIPTION	REMARKS	NOTE1	NOTE2
40		178043-22561	1	SPRING	.39 INSIDE DIA.	Sus. by 178043-22562	
40		178043-22562	1	SPRING		Sr/Nr 001051 and after	

6. Gear Case(Sr/Nr 001500 and before)

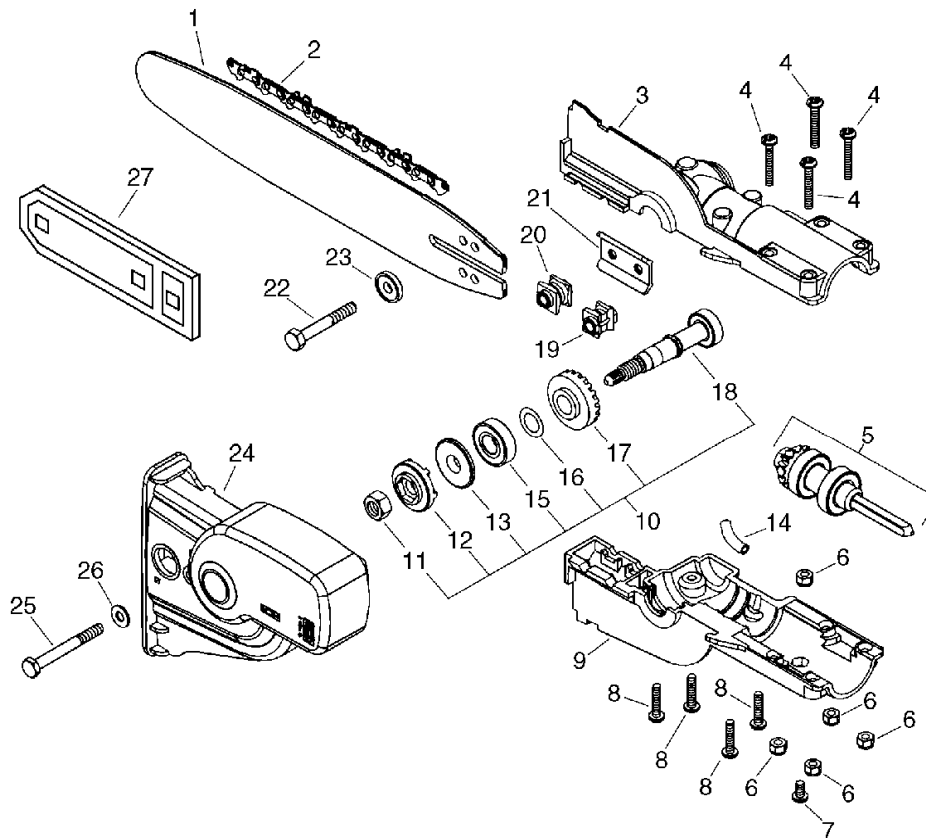
No.6



KEY	LV	PART NUMBER	Q'TY	DESCRIPTION	REMARKS	NOTE1	NOTE2
1		430411-22300	1	BAR, GUIDE	(PP)		
2		431611-22360	1	CHAIN, SAW	90SG-44	TT No.23011	
3		610407-22460	1	CASE, GEAR		TT No.24107	
4		900053-00400	4	SCREW		TT No.45140	
5		610309-22360	1	SHAFT, GEAR			
6		900031-50100	5	LOCKNUT		Can be used on the 610410-22360	
6		900031-50100	4	LOCKNUT		Can be used on the 610401-22360	
7		900053-00200	1	SCREW		TT No.45120	
8		900053-00300	4	SCREW		TT No.45130	
9		610410-22360	1	CASE, GEAR		Sus. by 610401- 22360	
9		610401-22360	1	HOUSING ASSY, GEAR			
10		610306-22360	1	SHAFT, GEAR		TT No.3002	
11	+	900030-00200	1	NUT		TT No.40512	
12	+	302810-22360	1	SPROCKET, DRIVE		TT No.0003.1	
13	+	302812-22360	1	PLATE, SPROCKET		TT No.0113.1	
15	+	900802-06001	1	BEARING, BALL 6001	6001DDU(LLU)	Sus. by 94042- 06001	
15	+	94042-06001	1	BEARING BALL	6001LLU		
16	+	100132-22060	1	WASHER		TT No.0141	
17	+	610311-22360	1	GEAR		TT No.0005	
18	+	610360-22360	1	SHAFT, P.T.O.		TT No.0105	

6. Gear Case(Sr/Nr 001500 and before)

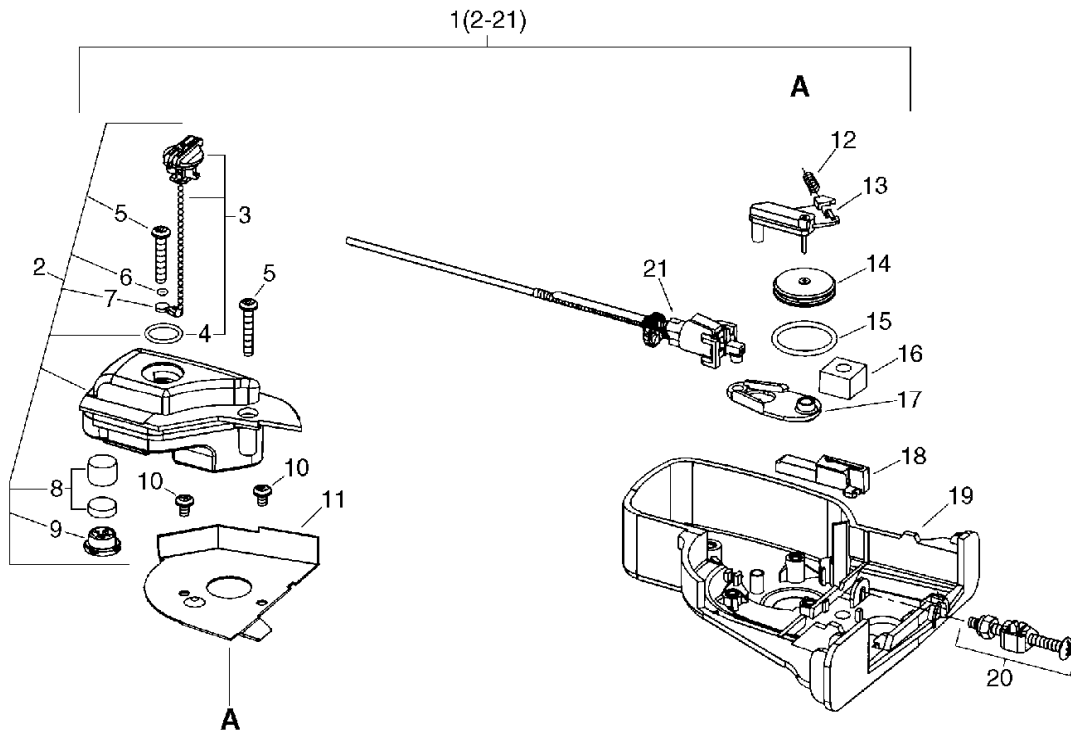
No.6



KEY	LV	PART NUMBER	Q'TY	DESCRIPTION	REMARKS	NOTE1	NOTE2
14		104910-22360	1	CUSHION		TT No.0168	
19		110076-22460	1	SPACER		TT No.0124	
20		110076-22360	1	SPACER		TT No.0112	
21		433055-22360	1	BRACKET, GUIDE BAR		TT No.20108	
22		900051-00100	1	SCREW		TT No.0021.1	
23		178020-22360	1	WASHER		TT No.0102	
24		437605-22360	1	COVER, OILER		TT No.0030	
25		900056-00200	1	BOLT, SHOULDER		TT No.0021.8	
26		900035-00200	1	WASHER,FLAT		TT No.0021.37	
27		898513-22360	1	SCABBARD, GUIDE BAR		TT No.20193 Sus. by X490-000050	
27		X490-000050	1	SCABBARD,CHAIN	12° BAR		

7. Oiler Assy(Sr/Nr 001500 and before)

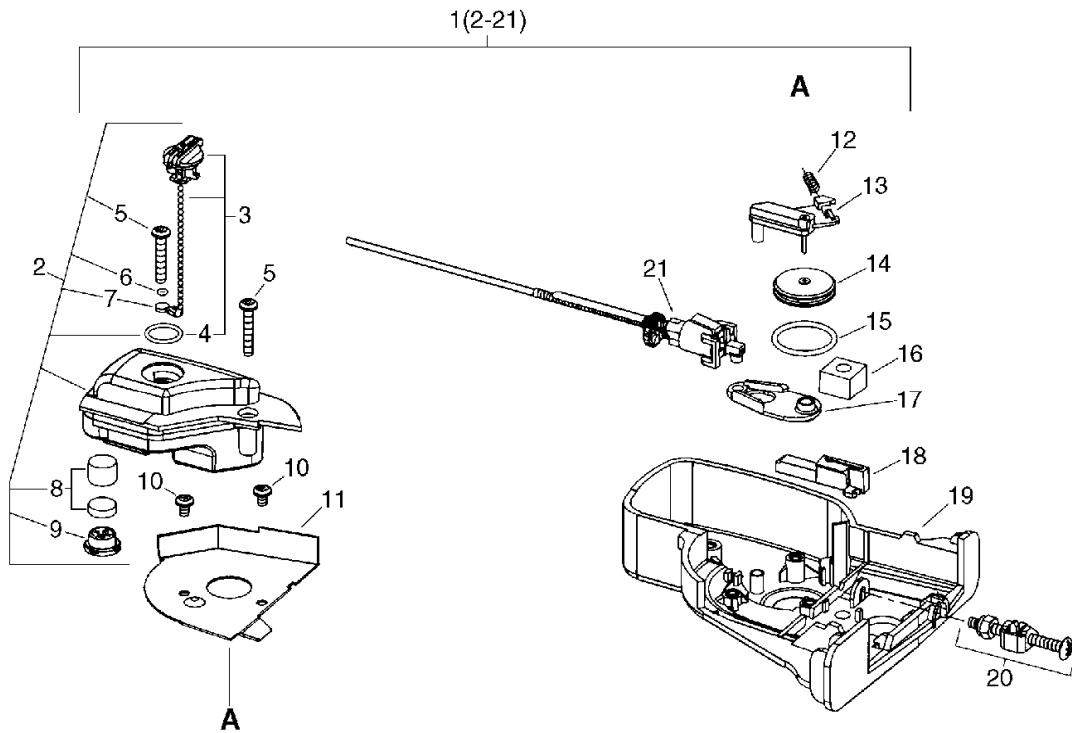
No.7



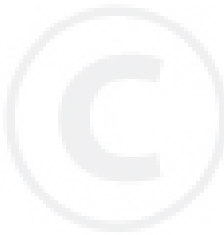
KEY	LV	PART NUMBER	Q'TY	DESCRIPTION	REMARKS	NOTE1	NOTE2
1		437000-22360	1	AUTO-OILER ASY		TT No.1206	
2	+	436005-22360	1	TANK, OIL		TT No.1210	
3	++	436001-22060	1	CAP, OIL		TT No.00055	
4	++	437122-22060	1	O-RING		TT No.0021.28	
5	++	900052-00300	2	SCREW		TT No.0021.26	
6	++	270217-22460	1	O-RING		TT No.0021.49	
7	++	169920-22360	1	CAP, CONNECTOR		TT No.0021.41	
8	++	436205-22360	1	STRAINER, OIL		TT No.0021.31	
9	++	437243-22360	1	GROMMET		TT No.20058	
10	+	900052-00200	2	SCREW		TT No.0021.27	
11	+	699025-22360	1	PLATE, PROTECTION		TT No.0050	
12	+	104940-22360	2	SPRING		TT No.0035	
13	+	707000-22360	1	ROD ASY, OILER		TT No.0054	
14	+	437068-22360	1	CAM, PUMP		TT No.0032	
15	+	437122-22360	1	O-RING		TT No.0021.29	
16	+	110076-22560	1	SPACER		TT No.0126	
17	+	437041-22360	1	PIECE, PLUNGER		TT No.0036	
18	+	168218-22160	1	PIPE		TT No.0039	
19	+	437605-22360	1	COVER, OILER		TT No.0030	

7. Oiler Assy(Sr/Nr 001500 and before)

No.7

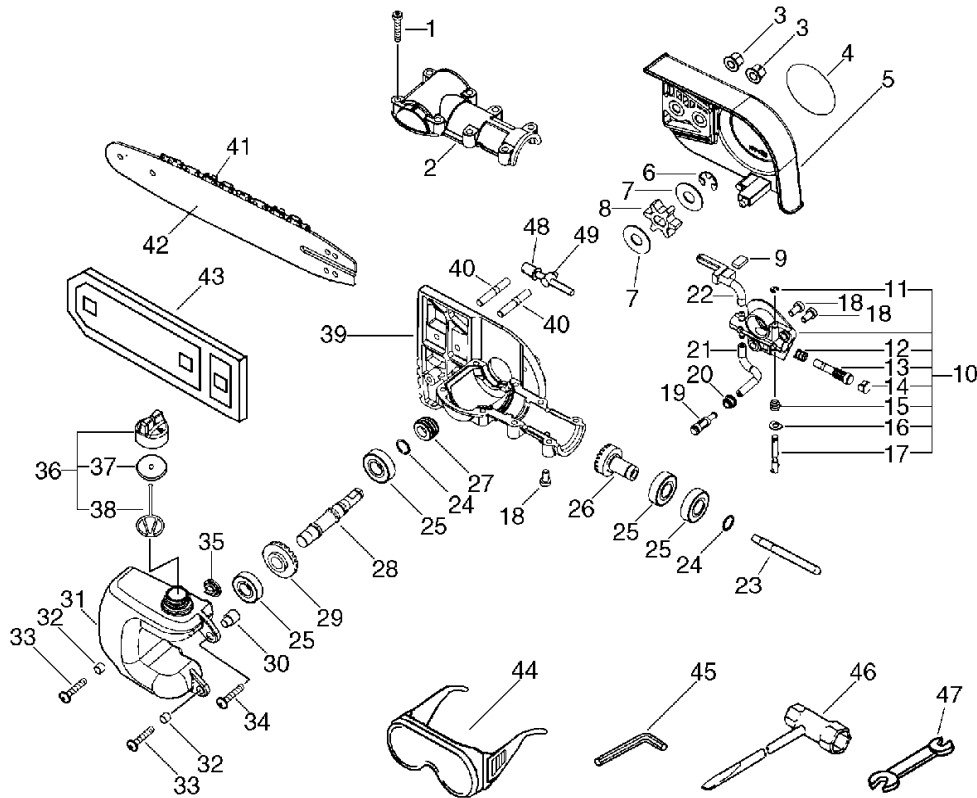


KEY	LV	PART NUMBER	Q'TY	DESCRIPTION	REMARKS	NOTE1	NOTE2
20	+	433095-22360	1	TENSIONER, CHAIN		TT No.0120	
21	+	437000-22460	1	AUTO-OILER ASY		TT No.0051	



8. Auto-Oiler, Gear Case, Tools(Sr/Nr 001501 and after)

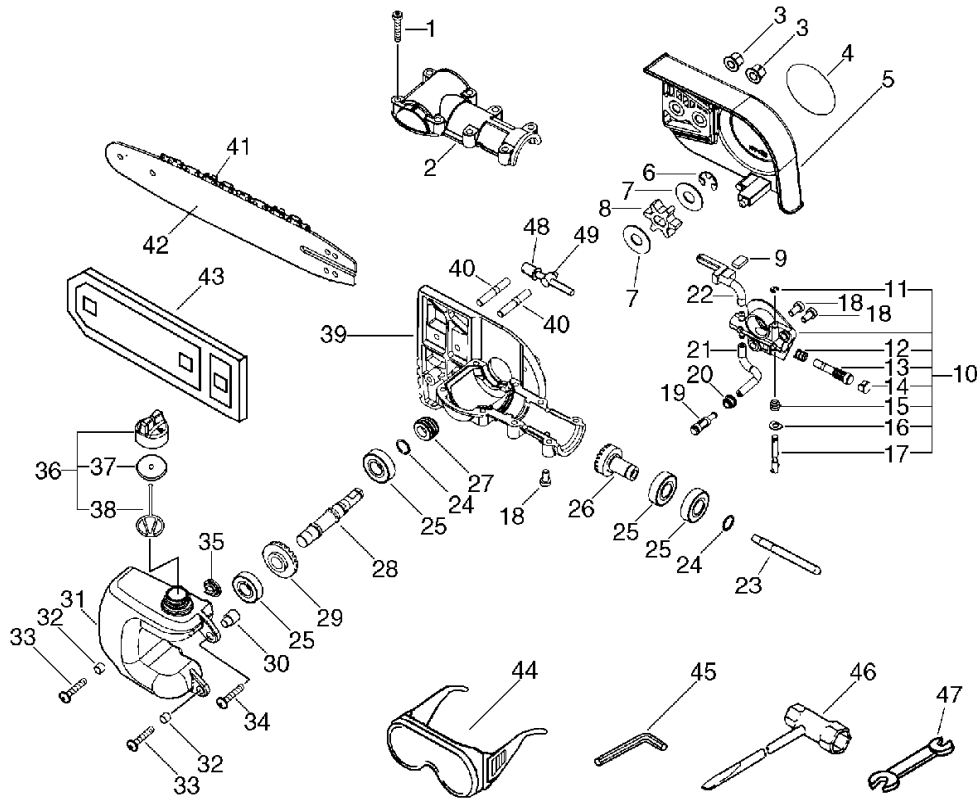
No.8



KEY	LV	PART NUMBER	Q'TY	DESCRIPTION	REMARKS	NOTE1	NOTE2
1		V253-000000	8	SCREW,5	5*25		
2		C531-000030	1	CASE,GEAR			
3		433019-03933	2	NUT, FLANGE 6	6		
4		890118-49130	1	LABEL, ECHO			
5		C300-000000	1	GUARD,SPROCKET		Sus. by C300-000001	
5		C300-000001	1	GUARD,SPROCKET			
6		V583-000010	1	RING			
7		175014-39130	2	WASHER, CLUTCH	10.2*25*1.2	Sus. by 175014-39131	
7		175014-39131	2	WASHER, CLUTCH	10.2*24.5*1.2		
8		C580-000070	1	SPROCKET,DRIVE			
9		437244-39130	1	PAD, FORM			
10		437002-39130	1	AUTO-OILER ASSY			
11	+	123127-15030	1	RING			
12	+	437019-38330	1	SPRING			
13	+	437024-37330	1	PLUNGER			
14	+	437062-37330	1	CAP, OIL PUMP			
15	+	437015-37330	1	SPRING			
16	+	437029-37330	1	WASHER			
17	+	437016-39130	1	NEEDLE, ADJUST			
18		V253-000010	3	SCREW,5	5*10		
19		436205-02832	1	STRAINER, OIL			
20		132115-01461	1	GROMMET			
21		130110-12330	1	PIPE, IMPULSE	3*6*70L		

8. Auto-Oiler, Gear Case, Tools(Sr/Nr 001501 and after)

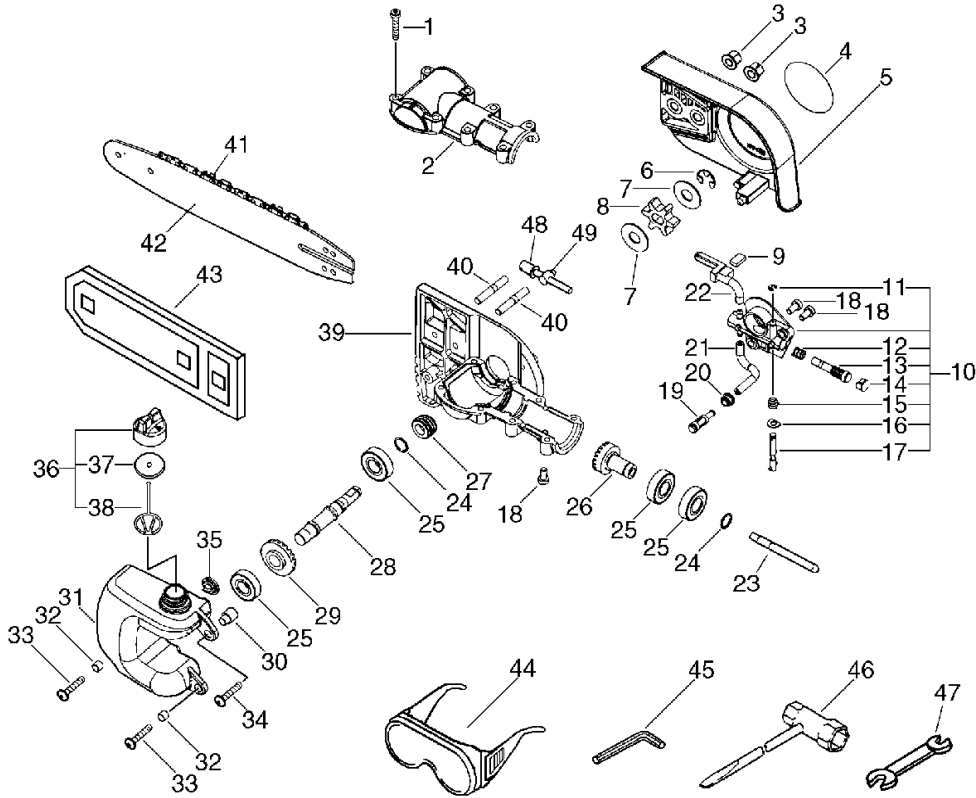
No.8



KEY	LV	PART NUMBER	Q'TY	DESCRIPTION	REMARKS	NOTE1	NOTE2
22		V470-000180	1	PIPE			
23		610025-22360	1	CONNECTOR, SHAFT		Sus. by 610025-22361	
23		610025-22361	1	CONNECTOR, SHAFT			
24		900706-00012	2	CIRCLIP 12	WR-12		
25		94042-06001	4	BEARING BALL	6001LLU		
26		V651-000041	1	GEAR,BEVEL		Sus. by V651-000042	
26		V651-000042	1	GEAR,BEVEL			
27		437063-38330	1	GEAR, WORM			
28		C534-000020	1	SHAFT,GEAR			
29		610311-22061	1	GEAR			
30		V354-000010	1	COLLAR,6			
31		C200-000000	1	TANK,OIL			
32		131045-28230	2	COLLAR			
33		V253-000030	2	SCREW,5	5*16		
34		V253-000020	1	SCREW,5	5*28		
35		131314-06320	1	VALVE, CHECK			
36		P021-000950	1	CAP ASSY, OIL		Sus. by P021-000951	
36		P021-000951	1	CAP ASSY, OIL			
37	+	436012-37830	1	GASKET, CIRCULAR			
38	+	131051-19830	1	LINK	60L	Sus. by A365-000050	
38	+	A365-000050	1	CONNECTOR,CAP			
39		C531-000040	1	CASE,GEAR			

8. Auto-Oiler, Gear Case, Tools(Sr/Nr 001501 and after)

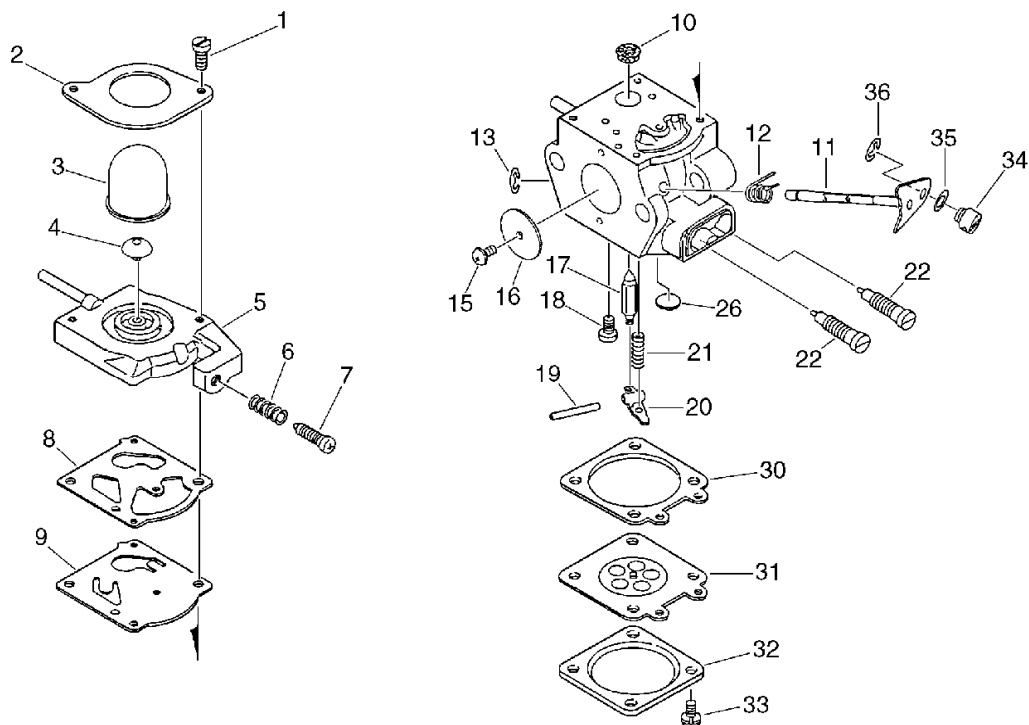
No.8



KEY	LV	PART NUMBER	Q'TY	DESCRIPTION	REMARKS	NOTE1	NOTE2
40		V224-000000	2	BOLT,STUD 6			
41		431611-22360	1	CHAIN, SAW	90SG-44		
42		430411-22300	1	BAR, GUIDE	(PP)		
43		898513-22360	1	SCABBARD, GUIDE BAR		Sus. by X490-000050	
43		X490-000050	1	SCABBARD,CHAIN	12" BAR		
44		899580-68730	1	SAFETY GLASSES			
45		895612-03430	1	L-WRENCH (3MM)			
46		895410-39130	1	WRENCH, W/S-DRIVER			
47		895112-00330	1	SPANNER 8*10			
48		433016-39131	1	BOLT			
49		433014-03931	1	TENSIONER			

9. Carburetor

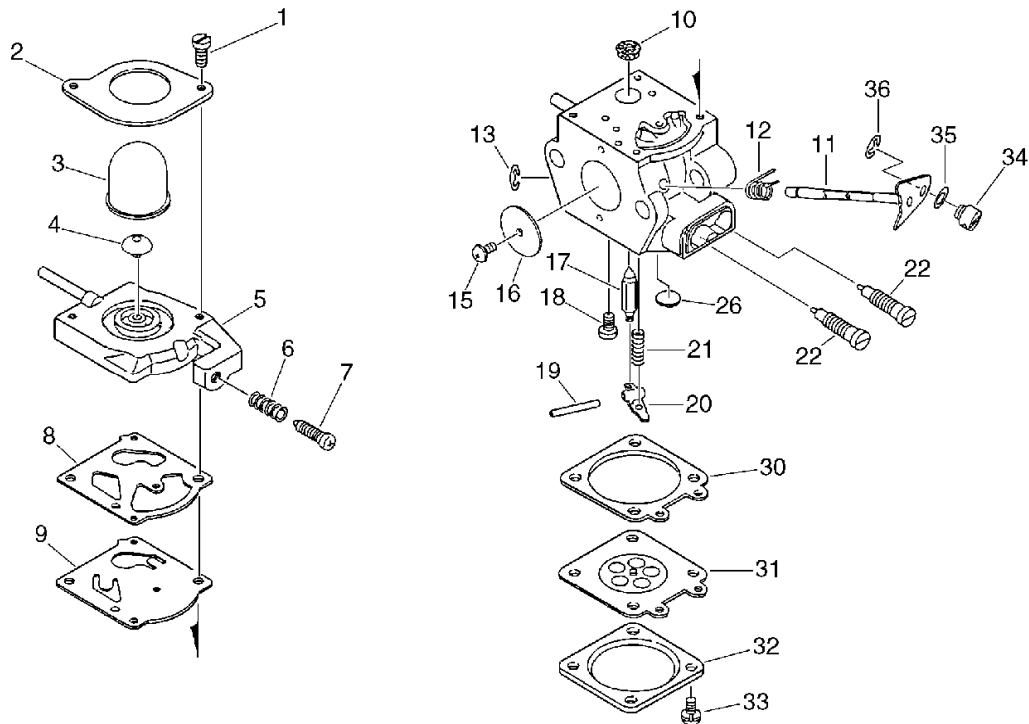
No.9



KEY	LV	PART NUMBER	Q'TY	DESCRIPTION	REMARKS	NOTE1	NOTE2
		123000-52132	1	CARBURETOR ASSY	WT424B	Sus. by 123000-52133	
		123000-52133	1	CARBURETOR WT-424C	WT-424C		
1	+	123110-43130	2	SCREW			
2	+	123142-09560	1	COVER, PRIMER PUMP			
3	+	123181-09560	1	PUMP, PRIMER			
4	+	123171-35630	1	VALVE, CHECK			
5	+	123124-43230	1	COVER, FUEL PUMP			
6	+	123133-04260	1	SPRING, IDLE ADJUST			
7	+	123134-04260	1	SCREW, IDLE ADJUST			
8	+	123125-09560	1	GASKET, FUEL PUMP			
9	+	123112-09560	1	DIAPHRAGM, FUEL PUMP			
10	+	123126-10631	1	SCREEN, INLET			
11	+	123117-52130	1	SHAFT, THROTTLE			
12	+	123113-52130	1	SPRING, THE.RTN			
13	+	123127-15030	1	RING			
15	+	123114-38830	1	SCREW			
16	+	123116-53130	1	VALVE, THROTTLE			
17	+	123137-19830	1	VALVE, INLET NEEDLE			
18	+	123139-03930	1	SCREW, M. LEVER PIN			
19	+	123138-03930	1	PIN, METERING LEVER			
20	+	123123-03930	1	LEVER, METERING			
21	+	123122-39330	1	SPRING, METER. LEVER			
22	+	123120-52131	2	NEEDLE, HIGH SPEED			
26	+	123146-10631	1	PLUG, WELCH			
30	+	123140-03930	1	GASKET, M. DIAPHRAGM			

9. Carburetor

No.9



KEY	LV	PART NUMBER	Q'TY	DESCRIPTION	REMARKS	NOTE1	NOTE2
31	+	123141-03930	1	DIAPHRAGM, METERING			
32	+	123142-03930	1	COVER, M. DIAPHRAGM			
33	+	123130-02960	4	SCREW			
34	+	123172-26030	1	SWIVEL			
35	+	123149-26030	1	WASHER			
36	+	123173-07930	1	CLIP			

Index

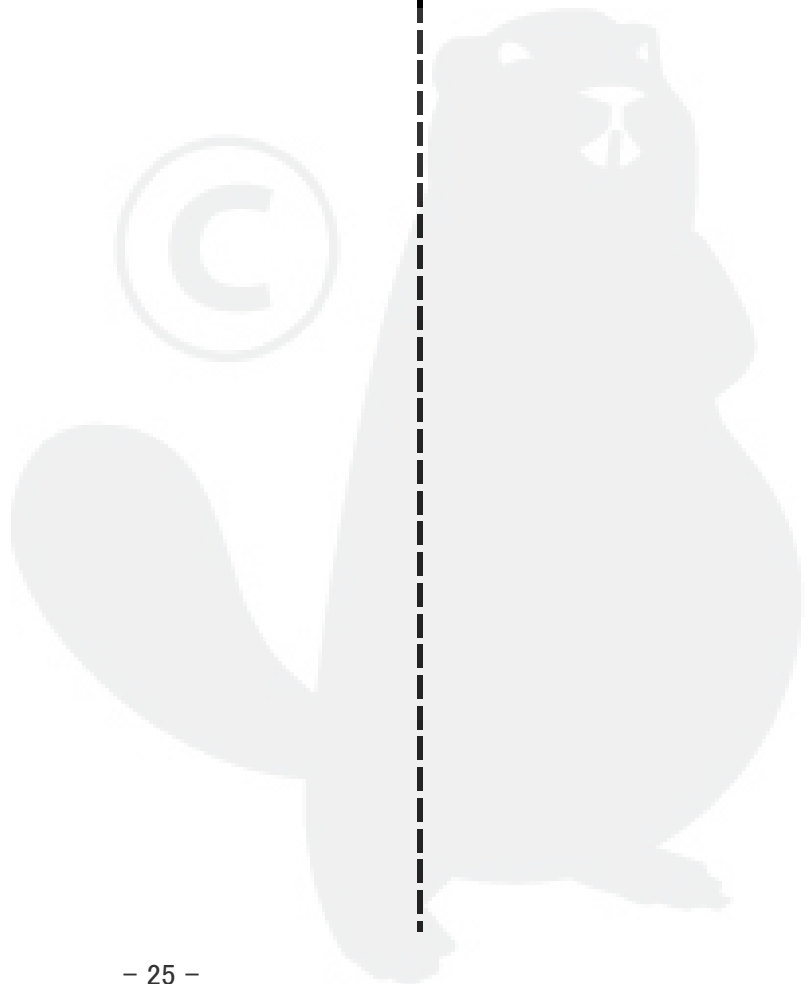
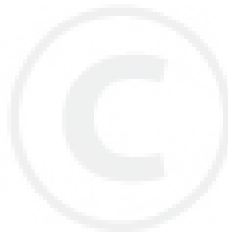
Patrs Number	Key No.	Patrs Number	Key No.	Patrs Number	Key No.
100000-09563	1 - 8	123139-03930	9 - 18	156626-52730	2 - 13
100011-09560	1 - 9	123140-03930	9 - 30	156801-09660	2 - 11
100012-51230	1 - 4	123141-03930	9 - 31	159010-10230	2 - 16
100013-11520	1 - 10	123142-03930	9 - 32	159011-03432	2 - 15
100014-11520	1 - 12	123142-09560	9 - 2	159012-01620	2 - 14
100015-04630	1 - 11	123146-10631	9 - 26	159012-10230	2 - 14
100100-44732	1 - 17	123149-26030	9 - 35	159016-05330	2 - 15
100132-22060	6 - 16	123171-35630	9 - 4	159912-44530	1 - 30
100204-52130	1 - 14	123172-26030	9 - 34	162010-52830	2 - 37
100204-52131	1 - 14	123173-07930	9 - 36	163400-49230	5 - 10
100204-52132	1 - 14	123181-09560	9 - 3	163401-55631	5 - 10
100212-42030	1 - 13	129011-06360	3 - 16	168218-22160	7 - 18
100212-42031	1 - 13	129011-06361	3 - 16	169920-22360	7 - 7
100215-03930	1 - 15	130010-05960	3 - 9	175000-56830	2 - 10
100229-22460	5 - 19	130010-42032	3 - 5	175005-42030	2 - 9
100242-42030	1 - 18	130017-42031	3 - 7	175014-39130	8 - 7
101010-44332	1 - 7	130110-12330	8 - 21	175014-39131	8 - 7
101011-08961	1 - 5	130307-06761	3 - 14	175053-04920	2 - 5
101511-52730	1 - 20	130310-54130	3 - 18	177200-42033	2 - 26
101514-52731	1 - 28	130313-05863	3 - 19	177202-44330	2 - 20
104910-22360	6 - 14	131004-08960	4 - 16	177202-44331	2 - 20
104910-22460	5 - 12	131004-55830	4 - 16	177215-44430	2 - 29
104940-22360	7 - 12	131005-46830	4 - 15	177218-44330	2 - 24
110076-22360	6 - 20	131005-46831	4 - 15	177220-42030	2 - 33
110076-22460	6 - 19	131016-55830	4 - 17	177226-10120	2 - 30
110076-22560	7 - 16	131045-28230	8 - 32	177227-42030	2 - 31
123000-52132	3 - 10	131051-19830	8 - 38	177228-06530	2 - 32
123000-52132	9 -	131051-52430	4 - 19	177234-42030	2 - 23
123000-52133	3 - 10	131205-07320	4 - 10	177236-44330	2 - 27
123000-52133	9 -	131300-56430	4 - 5	178001-51030	5 - 16
123110-43130	9 - 1	131312-39130	4 - 7	178010-05631	5 - 7
123112-09560	9 - 9	131314-06320	8 - 35	178010-22560	5 - 7
123113-52130	9 - 12	132010-13930	4 - 11	178016-22360	5 - 17
123114-38830	9 - 15	132010-56330	4 - 6	178020-22360	6 - 23
123116-53130	9 - 16	132013-09820	4 - 9	178043-22360	5 - 8
123117-52130	9 - 11	132115-01461	8 - 20	178043-22560	5 - 40
123120-52131	9 - 22	132115-46730	4 - 8	178043-22561	5 - 40
123122-39330	9 - 21	145510-42031	3 - 30	178043-22562	5 - 40
123123-03930	9 - 20	145631-42030	3 - 29	178090-22560	5 - 38
123124-43230	9 - 5	145800-52630	3 - 28	210417-52730	3 - 20
123125-09560	9 - 8	145800-52631	3 - 28	270217-22460	7 - 6
123126-10631	9 - 10	145800-52632	3 - 28	301000-22060	5 - 1
123127-15030	8 - 11	145800-52633	3 - 28	301016-52730	5 - 37
123127-15030	9 - 13	145818-52130	3 - 34	302810-22360	6 - 12
123130-02960	9 - 33	145862-40630	3 - 31	302812-22360	6 - 13
123133-04260	9 - 6	145866-42031	3 - 32	305110-42030	4 - 18
123134-04260	9 - 7	145871-44331	3 - 29	351100-22360	5 - 2
123137-19830	9 - 17	145876-42030	3 - 33	351100-22361	5 - 2
123138-03930	9 - 19	150112-44330	2 - 17	351100-22362	5 - 2

Index

Patrs Number	Key No.	Patrs Number	Key No.	Patrs Number	Key No.
351100-22560	5 - 2	610282-22360	5 - 29	900052-00200	7 - 10
351101-22360	5 - 4	610282-22460	5 - 27	900052-00300	7 - 5
351101-22560	5 - 4	610298-22360	5 - 22	900053-00200	6 - 7
351101-22561	5 - 4	610306-22360	6 - 10	900053-00300	5 - 6
351110-22560	5 - 3	610309-22360	6 - 5	900053-00300	6 - 8
351110-22561	5 - 3	610311-22061	8 - 29	900053-00400	5 - 5
351129-22360	5 - 3	610311-22360	6 - 17	900053-00400	5 - 5
430411-22300	6 - 1	610360-22360	6 - 18	900053-00400	5 - 5
430411-22300	8 - 42	610401-22360	6 - 9	900053-00400	5 - 14
431611-22360	6 - 2	610407-22460	6 - 3	900053-00400	5 - 24
431611-22360	8 - 41	610410-22360	6 - 9	900053-00400	6 - 4
433014-03931	8 - 49	610611-22560	5 - 28	900053-00500	5 - 6
433016-39131	8 - 48	610810-22360	5 - 11	900053-00500	5 - 14
433019-03933	8 - 3	610850-22560	5 - 39	900056-00200	6 - 25
433055-22360	6 - 21	699025-22360	7 - 11	900065-00300	5 - 25
433095-22360	7 - 20	707000-22360	7 - 13	900105-05055	3 - 36
433307-22560	5 - 21	889960-22660	5 - 9	900151-05025	1 - 21
436001-22060	7 - 3	890065-24660	1 - 27	900162-04022	2 - 12
436005-22360	7 - 2	890118-49130	2 - 36	900162-05022	1 - 6
436012-37830	8 - 37	890118-49130	8 - 4	900162-05025	1 - 21
436205-02832	8 - 19	890121-52730	3 - 22	900162-05028	1 - 19
436205-22360	7 - 8	890160-22660	5 - 26	900163-04016	1 - 24
437000-22360	7 - 1	890332-52730	3 - 22	900163-04016	1 - 31
437000-22460	7 - 21	890334-52730	3 - 21	900163-04016	2 - 35
437002-39130	8 - 10	890335-52730	3 - 21	900238-04010	3 - 35
437015-37330	8 - 15	895112-00330	5 - 36	900238-04012	1 - 26
437016-39130	8 - 17	895112-00330	8 - 47	900238-05016	4 - 12
437019-38330	8 - 12	895410-39130	5 - 35	900238-05020	3 - 8
437024-37330	8 - 13	895410-39130	8 - 46	900242-05065	3 - 17
437029-37330	8 - 16	895410-39131	5 - 35	900253-05016	1 - 29
437041-22360	7 - 17	895415-22160	5 - 35	900500-00005	3 - 6
437062-37330	8 - 14	895415-22260	5 - 36	900502-00006	5 - 15
437063-38330	8 - 27	895610-00130	5 - 34	900600-00005	1 - 23
437068-22360	7 - 14	895612-03430	5 - 34	900600-00005	3 - 37
437122-22060	7 - 4	895612-03430	8 - 45	900603-00005	4 - 14
437122-22360	7 - 15	898513-22360	6 - 27	900605-00005	1 - 22
437243-22360	7 - 9	898513-22360	8 - 43	900701-00012	2 - 6
437244-39130	8 - 9	899580-40930	5 - 33	900702-00032	2 - 8
437605-22360	6 - 24	899580-68730	5 - 33	900706-00012	8 - 24
437605-22360	7 - 19	899580-68730	8 - 44	900802-06001	6 - 15
605206-22160	5 - 32	900030-00200	6 - 11	900802-06002	5 - 20
605206-22161	5 - 32	900031-00100	5 - 31	900810-36201	1 - 16
610006-22560	5 - 18	900031-50100	5 - 51	900814-06201	2 - 7
610025-22360	8 - 23	900031-50100	5 - 61	94035-36201	1 - 16
610025-22361	8 - 23	900031-50100	5 - 30	94042-06001	6 - 15
610210-22060	5 - 23	900031-50100	6 - 6	94042-06001	8 - 25
610248-22360	5 - 13	900031-50100	6 - 6	A011-000100	1 - 17
610248-22361	5 - 13	900035-00200	6 - 26	A011-000101	1 - 17
610248-22362	5 - 13	900051-00100	6 - 22	A320-000250	3 - 29

Index

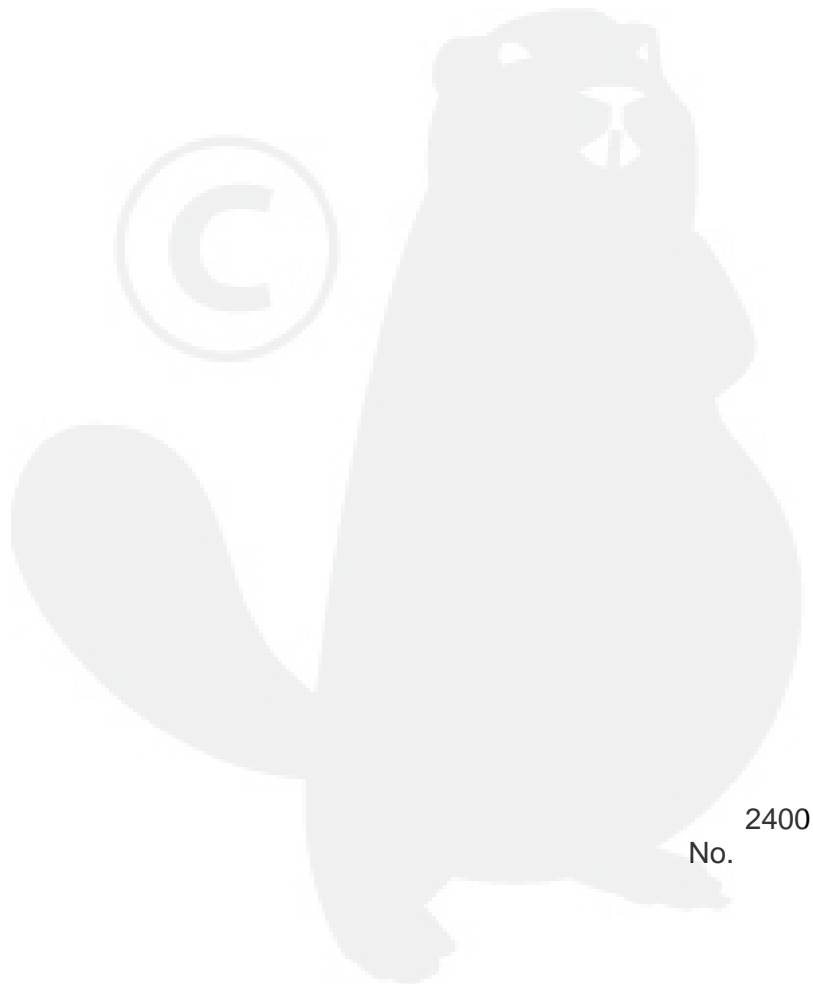
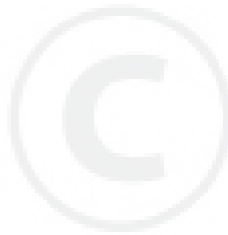
Patrs Number	Key No.	Patrs Number	Key No.	Patrs Number	Key No.
A320-000251	3 - 29				
A356-000030	4 - 5				
A365-000050	8 - 38				
C200-000000	8 - 31				
C300-000000	8 - 5				
C300-000001	8 - 5				
C410-000090	5 - 4				
C450-000090	5 - 7				
C510-000050	5 - 13				
C510-000120	5 - 13				
C525-000000	5 - 11				
C531-000030	8 - 2				
C531-000040	8 - 39				
C534-000020	8 - 28				
C580-000070	8 - 8				
P021-000950	8 - 36				
P021-000951	8 - 36				
P021-002861	5 - 33				
P021-003530	5 - 50				
P021-003531	5 - 50				
P021-003540	5 - 60				
V104-000160	3 - 30				
V137-000030	4 - 8				
V224-000000	8 - 40				
V253-000000	8 - 1				
V253-000010	8 - 18				
V253-000020	8 - 34				
V253-000030	8 - 33				
V354-000010	8 - 30				
V470-000180	8 - 22				
V471-001190	4 - 11				
V471-001200	4 - 7				
V553-000010	1 - 4				
V583-000010	8 - 6				
V651-000041	8 - 26				
V651-000042	8 - 26				
X490-000050	6 - 27				
X490-000050	8 - 43				



YAMABIKO CORPORATION

7-2 SUEHIROCHO 1-CHOME, OHME, TOKYO 198-8760, JAPAN
PHONE: 81-428-32-6118. FAX: 81-428-32-6145.

ECHO®



2400
No.