



**POWER PRUNER
3' EXTENSION**

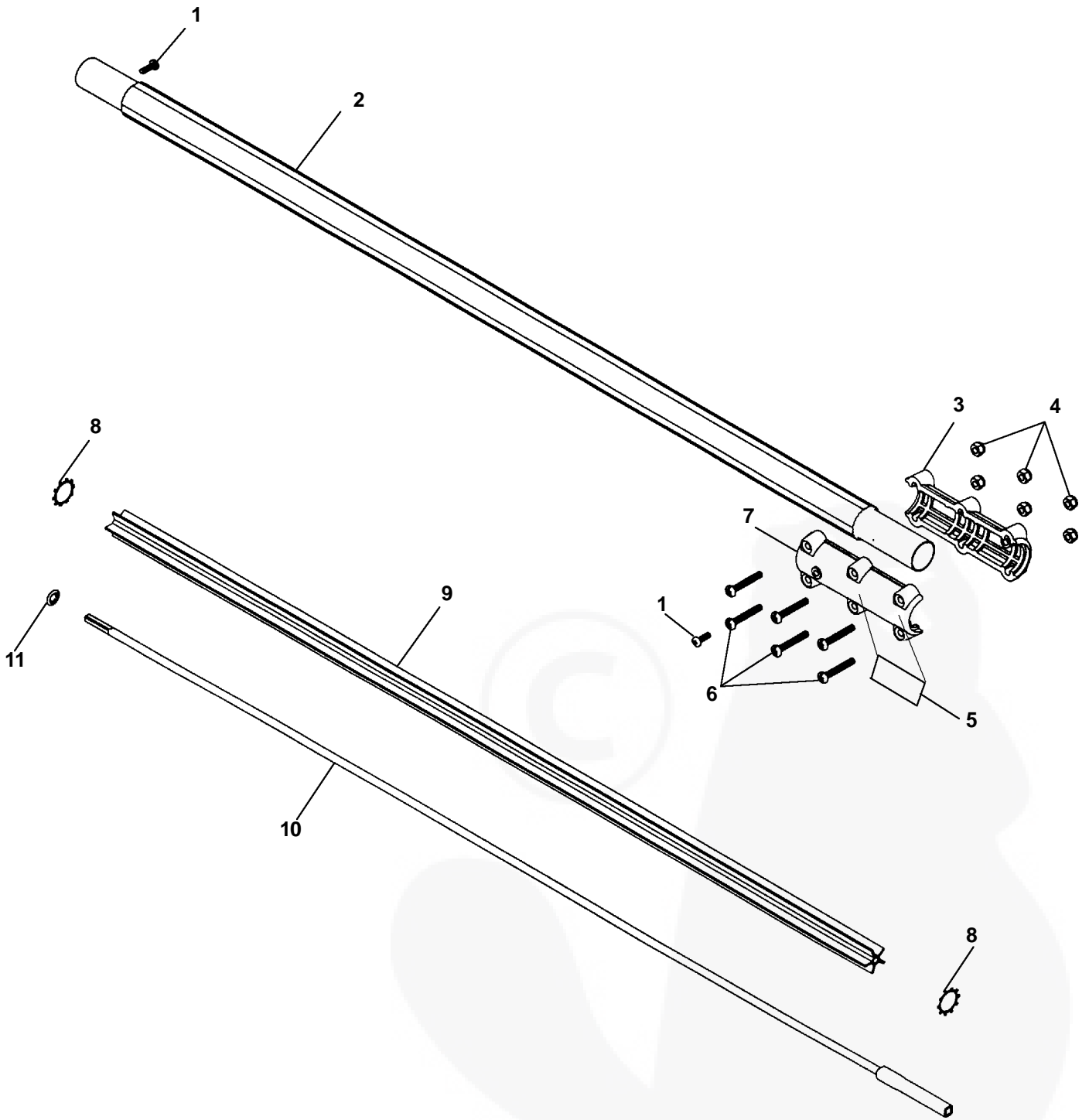
FOR MODELS PPF-2100/2400

PARTS CATALOG

MODEL 99946400010

**ECHO, INCORPORATED
400 OAKWOOD ROAD
LAKE ZURICH, IL 60047**

**99922202987
09/99**



KEY	PART NUMBER	QTY	DESCRIPTION	REMARKS
1	90005400100	2	SCREW, TORX PH.M.S.	
2	60520622760	1	HOUSING, EXTENSION	
3	61028222660	1	COLLAR, MAIN PIPE (NUT SIDE)	
4	90003150100	6	NUT, LOCKING	
5	89007522760	1	LABEL, CAUTION (EXTENSION)	
6	90005300400	6	SCREW, PAN HEAD	
7	61028222060	1	COLLAR, MAIN PIPE (SCREW SIDE)	
8	90003800100	2	WASHER, EXTERNAL	
9	61021724660	1	LINER, FLEXIBLE	
10	61000622660	1	SHAFT, DRIVE	INCLUDES ITEM 11
11	90003810100	1	WASHER, INTERNAL	

