



**PARTS CATALOG**

**TRIMMER /**

**BRUSHCUTTER ACCESSORY**

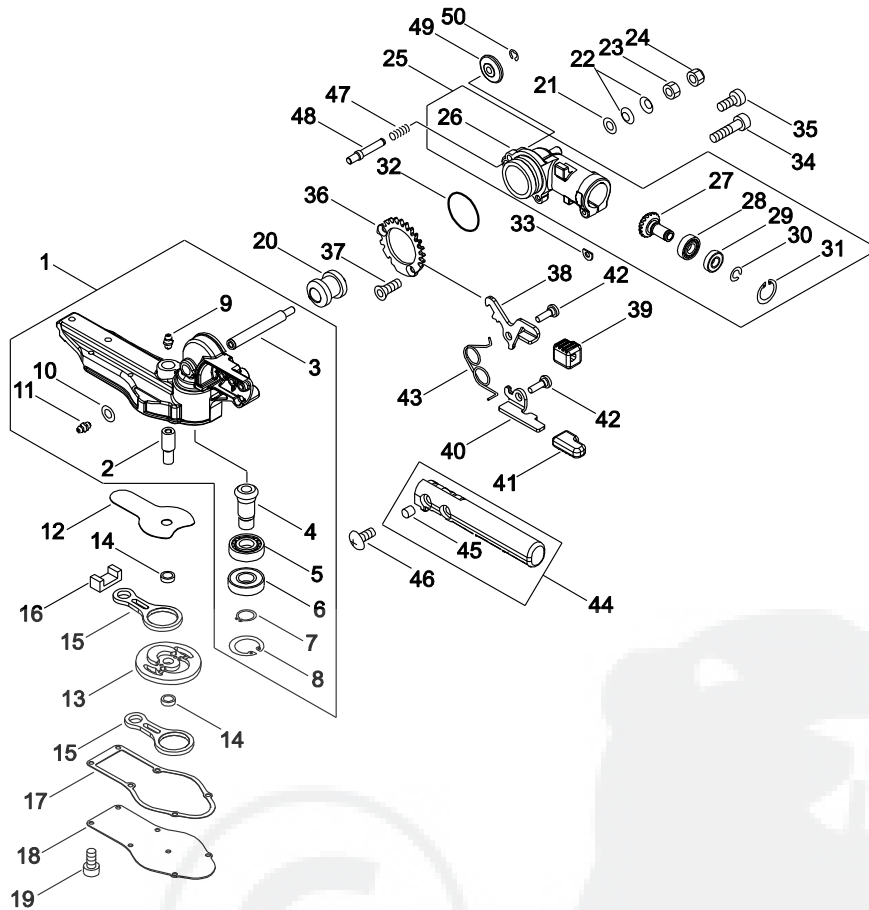
**HCAA-2403A-LW(35)**

35001001 -

**CE**

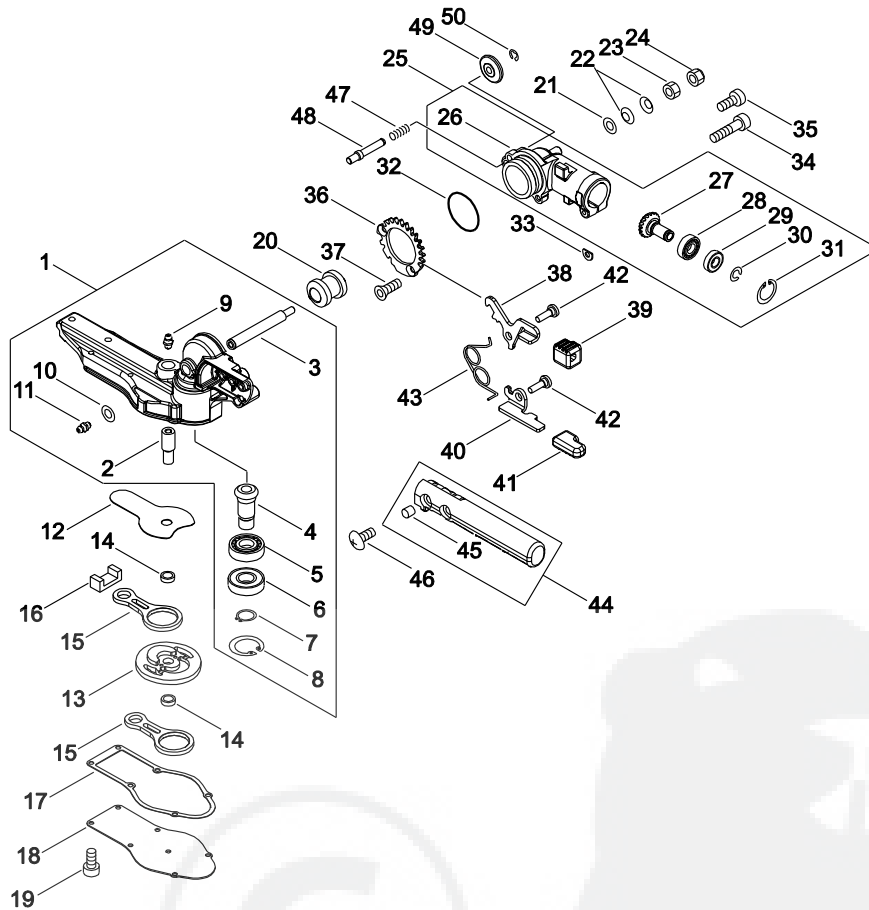
P014-004980-15E

## 1. GEAR CASE



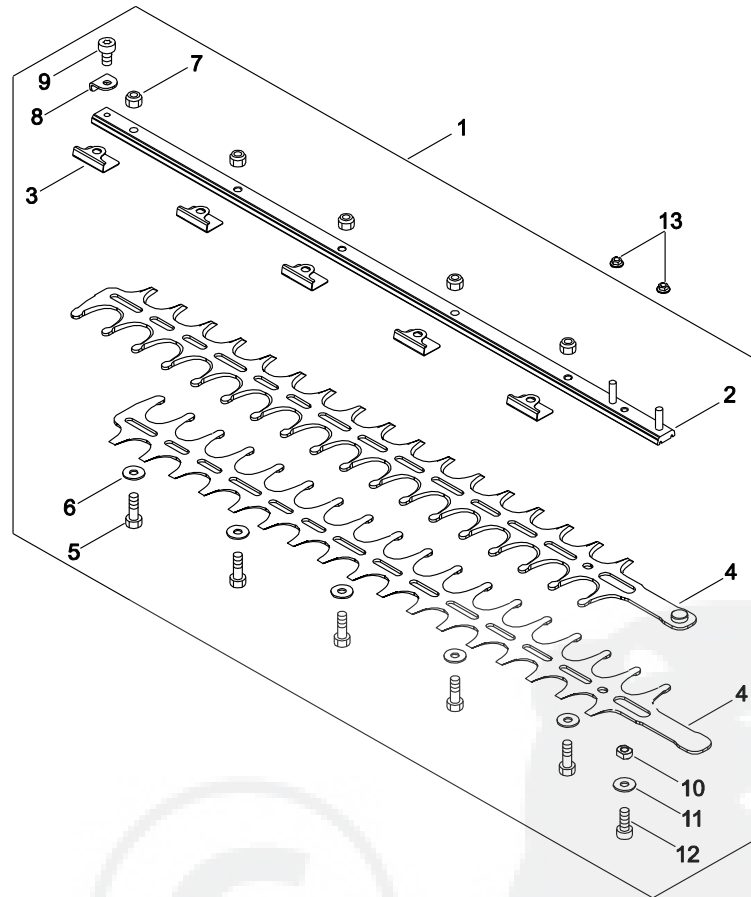
KEY	LV	PART NUMBER	Q'TY	DESCRIPTION	REMARKS	NOTE1	NOTE2
1		P021-047560	1	CASE ASY, GEAR			
2	+	C534-001060	1	SHAFT, GEAR			
3	+	C534-001010	1	SHAFT, GEAR	10 M6-M6		
4	+	V655-000090	1	SHAFT, PINION			
5	+	900800-36002	1	BEARING, BALL 6002	6002		
6	+	94004-36002	1	BEARING, BALL	BB6002ZZ/C3		
7	+	900701-00014	1	CIRCLIP 14	CS-14		
8	+	92424-32000	1	SNAP RING			
9	+	V187-000080	1	GREASE NIPPLE			
10	+	900603-00006	1	WASHER 6	6.5*13*1		
11	+	V187-000080	1	GREASE NIPPLE			
12		V150-003940	1	PLATE, EYE	T0.6		
13		V650-000660	1	GEAR, SPUR			
14		V356-000730	2	COLLAR, 10	9.5*13*L4		
15		C532-000360	2	ROD, CONNECTING			
16		V541-000570	1	SEAL			
17		V110-000180	1	GASKET, GEAR CASE			
18		C539-000130	1	LID, GEARCASE	T1.2		
19		V804-000110	7	BOLT, TORX 4	TB-4*10 12.9		
20		P021-047570	1	GEAR, BEVEL SET			
21		900603-00006	1	WASHER 6	6.5*13*1		
22		V347-000030	2	CONE WASHER			
23		900502-00006	1	NUT 6 (3N)	3N6		
24		900560-00006	1	NUT, LOCK	6		
25		P021-047820	1	CASE ASY, GEAR			

1. GEAR CASE



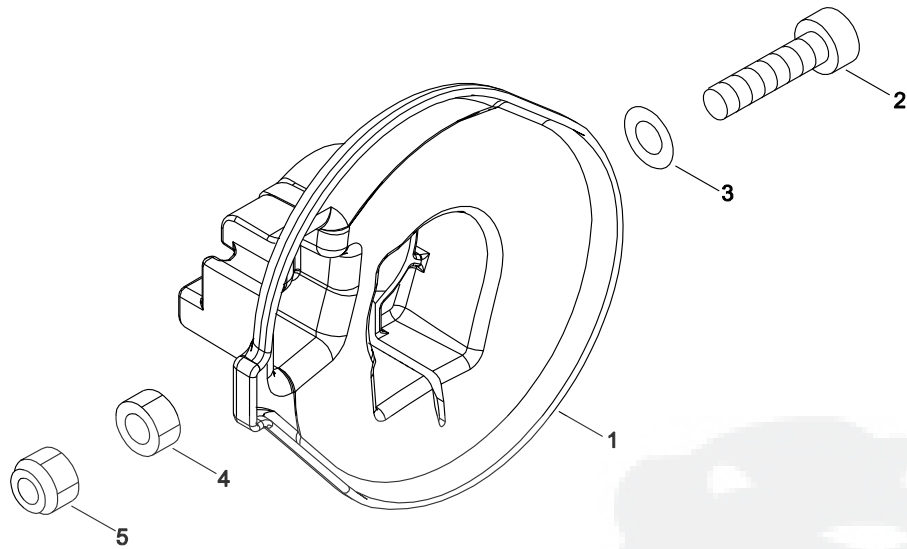
KEY	LV	PART NUMBER	Q'TY	DESCRIPTION	REMARKS	NOTE1	NOTE2
26	+	C531-001040	1	CASE,GEAR			
27	+	V651-001000	1	GEAR,BEVEL			
28	+	900855-06901	1	BEARING, BALL 6901	6901		
29	+	900859-06901	1	BEARING, BALL	6901		
30	+	900706-00012	1	CIRCLIP 12	WR-12		
31	+	92424-24000	1	SNAP RING			
32		900724-00035	1	O-RING 35			
33		V340-000300	1	SHIM			
34		V805-000170	1	BOLT, TORX 5	TB-5*25 10.9		
35		V805-000130	1	BOLT, TORX 5	TB-5*10 10.9		
36		C465-000030	1	RESETTER, LATCH			
37		900175-05012	2	BOLT, H.S.H	5*12		
38		C661-000150	1	LEVER, RELEASE	T3.2		
39		V494-000880	1	CAP			
40		C661-000080	1	SAFTY LEVER			
41		V494-000890	1	CAP			
42		V204-000580	2	PIN RATCHET			
43		V452-000710	1	COIL SPRING			
44		C403-000480	1	HANDLE			
45	+	V354-000320	2	COLLAR			
46		91463-06020	2	SCREW TRUSS			
47		V450-001930	1	SPRING,COMPRESSION			
48		C226-000070	1	PIN,CONTROL			
49		M613-000250	1	KNOB			
50		900700-00005	1	E-RING 5	CE-5		

## 2. CUTTER



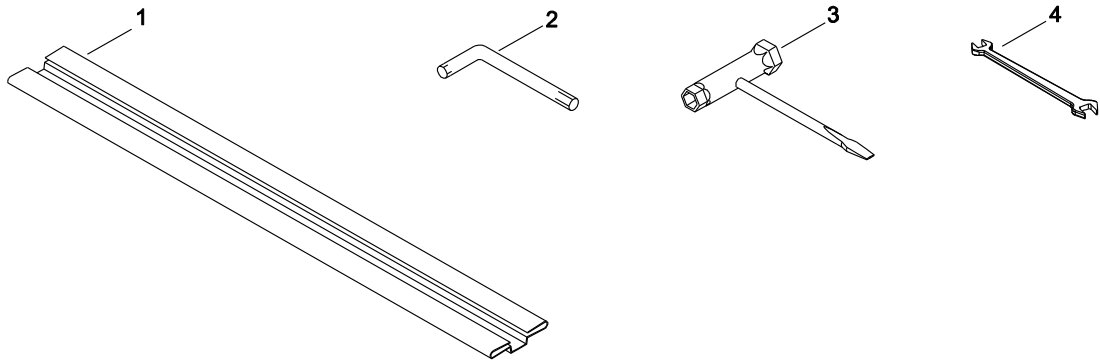
KEY	LV	PART NUMBER	Q'TY	DESCRIPTION	REMARKS	NOTE1	NOTE2
1		X041-000510	1	CUTTER,ASM			
2	+	X425-000920	1	SUPPORT,CUTTER	600MM		
3	+	X425-000930	5	SUPPORT,CUTTER	T0.5		
4	+	X411-001320	2	CUTTER	600MM T2.0		
5	+	V204-000570	5	BOLT			
6	+	V304-000240	5	WASHER			
7	+	433022-06460	5	NUT			
8	+	J447-001050	1	GUARD	T1.6		
9	+	V805-000120	1	BOLT, TORX 5	TB-5*8 10.9		
10	+	V376-002130	1	SPACER			
11	+	V304-000240	1	WASHER			
12	+	V805-000250	1	BOLT, TORX 5	TB-5*16 12.9		
13		V263-000330	2	FLANGE NUT			

## 3. HAND GUARD



KEY	LV	PART NUMBER	Q'TY	DESCRIPTION	REMARKS	NOTE1	NOTE2
1		C440-000100	1	GUARD, HAND			
2		V805-000060	1	BOLT, TORX 5	TB-5*35 10.9		
3		900603-00005	1	WASHER 5	5.5*12*0.8		
4		900500-00005	1	NUT 5	5		
5		900562-00005	1	NUT, LOCK	5		

4. ACCESSORIES



KEY	LV	PART NUMBER	Q'TY	DESCRIPTION	REMARKS	NOTE1	NOTE2
1		X495-000570	1	SCABBARD,BLADE			
2		X605-000170	1	TOOL,L WRENCH			
3		X602-000190	1	PLUG WRENCH			
4		X600-000020	1	SPANNER			

**Index**

<b>Patrs Number</b>	<b>Key No.</b>	<b>Patrs Number</b>	<b>Key No.</b>	<b>Patrs Number</b>	<b>Key No.</b>
433022-06460	2 - 7	V376-002130	2 - 10		
900175-05012	1 - 37	V450-001930	1 - 47		
900500-00005	3 - 4	V452-000710	1 - 43		
900502-00006	1 - 23	V494-000880	1 - 39		
900560-00006	1 - 24	V494-000890	1 - 41		
900562-00005	3 - 5	V541-000570	1 - 16		
900603-00005	3 - 3	V650-000660	1 - 13		
900603-00006	1 - 10	V651-001000	1 - 27		
900603-00006	1 - 21	V655-000090	1 - 4		
900700-00005	1 - 50	V804-000110	1 - 19		
900701-00014	1 - 7	V805-000060	3 - 2		
900706-00012	1 - 30	V805-000120	2 - 9		
900724-00035	1 - 32	V805-000130	1 - 35		
900800-36002	1 - 5	V805-000170	1 - 34		
900855-06901	1 - 28	V805-000250	2 - 12		
900859-06901	1 - 29	X041-000510	2 - 1		
91463-06020	1 - 46	X411-001320	2 - 4		
92424-24000	1 - 31	X425-000920	2 - 2		
92424-32000	1 - 8	X425-000930	2 - 3		
94004-36002	1 - 6	X495-000570	4 - 1		
C226-000070	1 - 48	X600-000020	4 - 4		
C403-000480	1 - 44	X602-000190	4 - 3		
C440-000100	3 - 1	X605-000170	4 - 2		
C465-000030	1 - 36				
C531-001040	1 - 26				
C532-000360	1 - 15				
C534-001010	1 - 3				
C534-001060	1 - 2				
C539-000130	1 - 18				
C661-000080	1 - 40				
C661-000150	1 - 38				
J447-001050	2 - 8				
M613-000250	1 - 49				
P021-047560	1 - 1				
P021-047570	1 - 20				
P021-047820	1 - 25				
V110-000180	1 - 17				
V150-003940	1 - 12				
V187-000080	1 - 9				
V187-000080	1 - 11				
V204-000570	2 - 5				
V204-000580	1 - 42				
V263-000330	2 - 13				
V304-000240	2 - 6				
V304-000240	2 - 11				
V340-000300	1 - 33				
V347-000030	1 - 22				
V354-000320	1 - 45				
V356-000730	1 - 14				

# YAMABIKO CORPORATION

7-2 SUEHIROCHO 1-CHOME, OHME, TOKYO 198-8760, JAPAN  
PHONE: 81-428-32-6118. FAX: 81-428-32-6145.

The ECHO logo features the word "ECHO" in a bold, italicized, sans-serif font. To the left of the text is a circular emblem containing a stylized 'E' shape. A registered trademark symbol (®) is located at the end of the word.

**ECHO®**



-15E  
No. 07-285