



PARTS CATALOG

99944200840

Grass Trimmer Attachment

PAS Attachment

SERIAL NUMBER

S07435001001-S07435999999

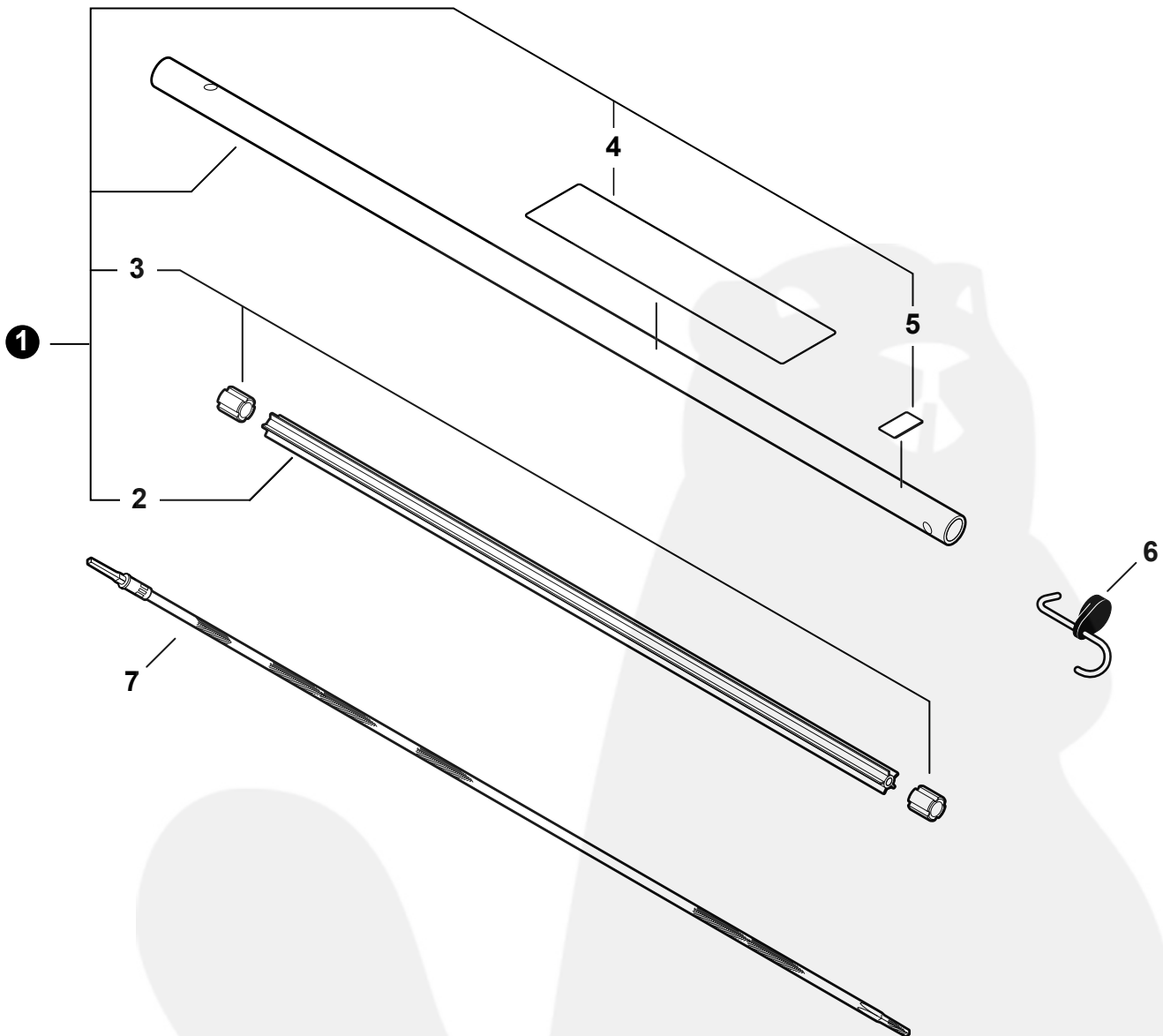
ECHO, INCORPORATED

400 Oakwood Road Lake Zurich, Illinois 60047

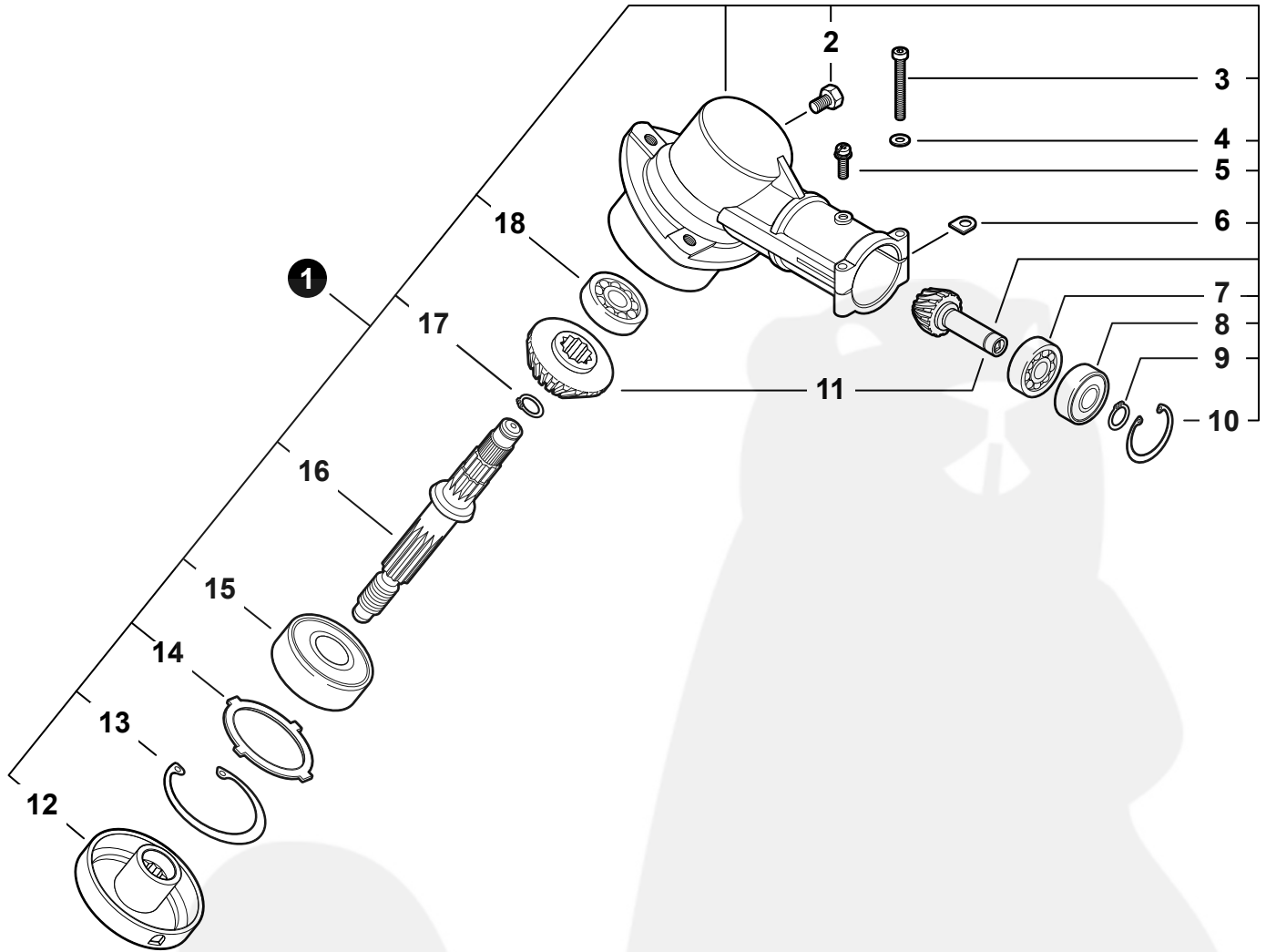
WWW.ECHO-USA.COM

Main Pipe	3
Gear Case	4
Debris Shield	5
Tools	6
SRM ECHOMATIC Head -- 21560070	7

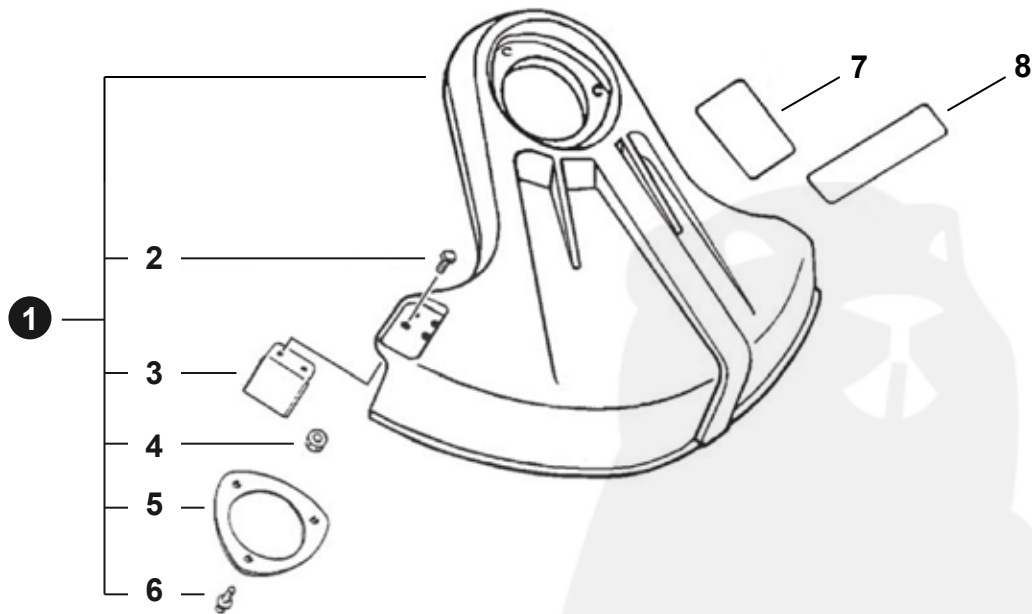




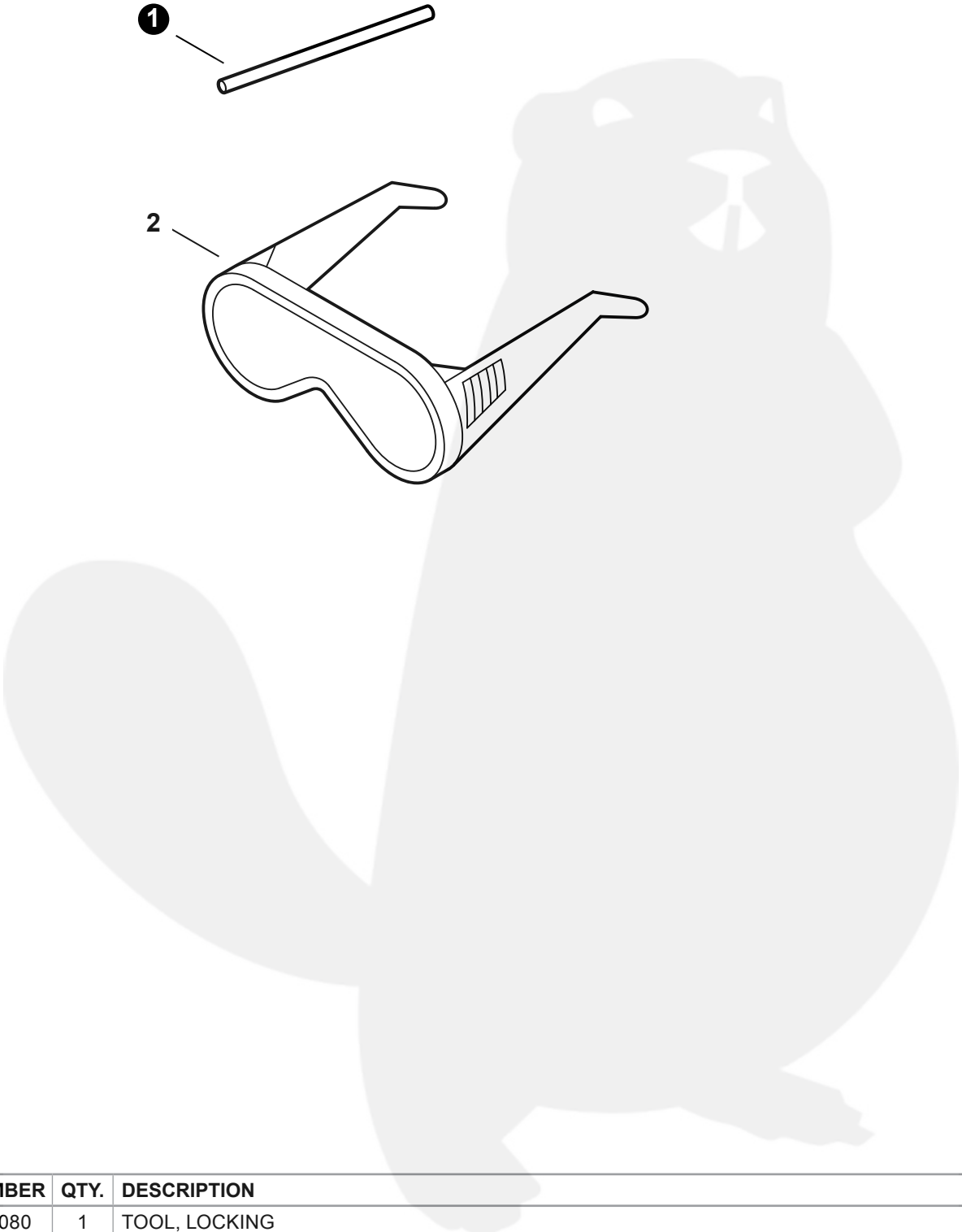
NO.	PART NUMBER	QTY.	DESCRIPTION
1	C050000200	1	MAIN PIPE ASSY
2	C507000240	1	+LINER - FLEXIBLE
3	C515000030	2	+STOPPER
4	89061763630	1	+LABEL - CAUTION
5	89015204930	1	+LABEL - ALIGNMENT
6	P021047620	1	PAS ATTACHMENT HANGER
7	C506000002	1	DRIVESHAFT - FLEXIBLE



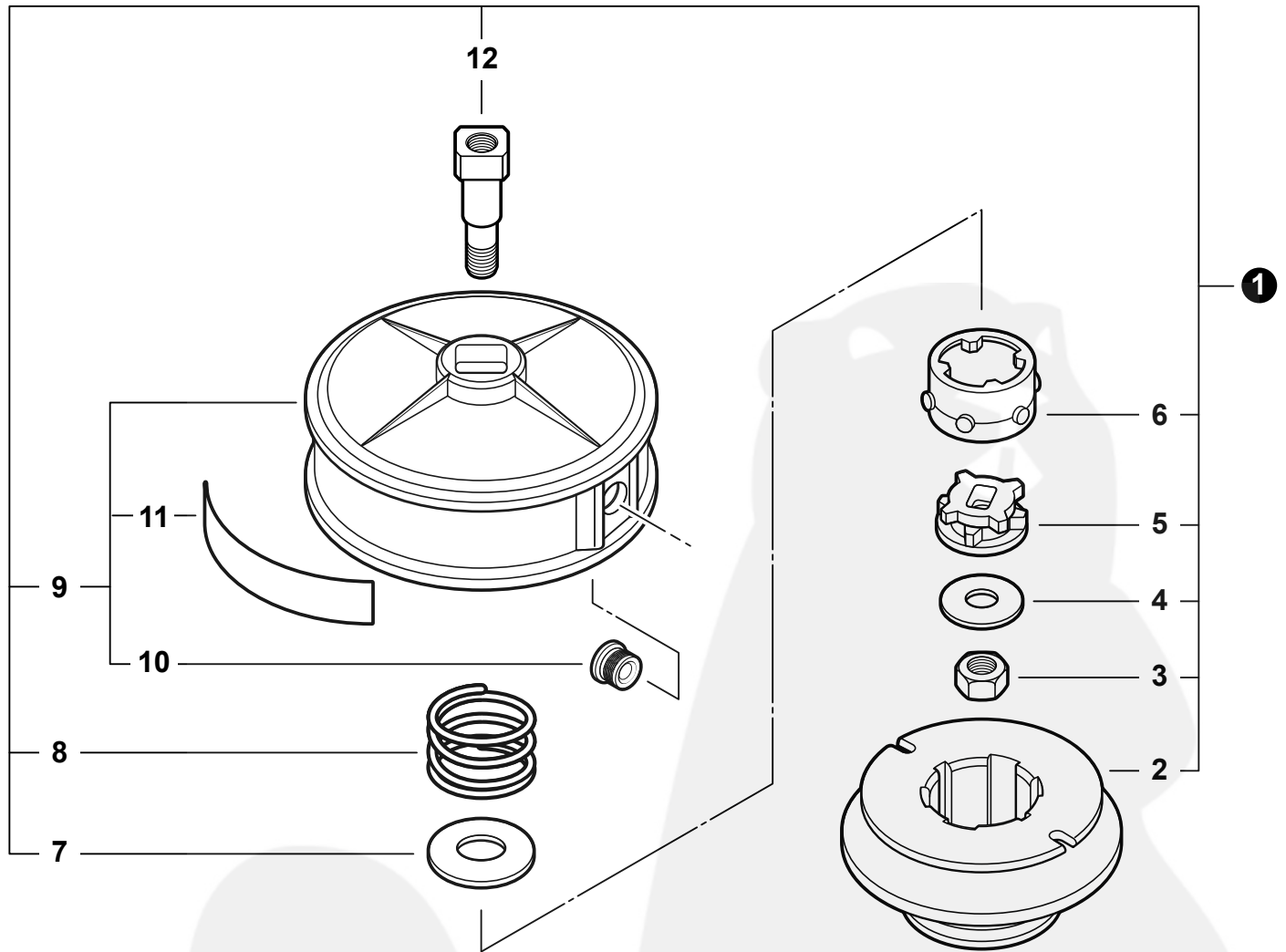
NO.	PART NUMBER	QTY.	DESCRIPTION
1	P021044540	1	GEAR CASE ASSY
2	61043450031	1	+BOLT - 8x8
3	90010005035	2	+SCREW - 5x25
4	90060000005	2	+WASHER
5	90024205010	1	+SCREW - 5x10
6	61023904130	2	+WASHER, SHIM
7	90085506900	1	+BEARING, BALL - 6900
8	90085806900	1	+BEARING, BALL - 6900Z
9	90070600010	1	+RING, RETAINING - 10
10	90070200022	1	+RING, RETAINING - 22
11	61030044830	1	+GEAR SET - BEVEL
12	C535000210	1	+ADAPTER, BLADE - UPPER
13	90070200032	1	+RING, RETAINING - 32
14	V340000180	1	+WASHER
15	90081206201	1	+BEARING, BALL - 6201
16	61036008931	1	+GEAR, SHAFT
17	90070600012	1	+RING, RETAINING - 12
18	9406000609	1	+BEARING, BALL - 609



NO.	PART NUMBER	QTY.	DESCRIPTION
1	69900440931	1	DEBRIS SHIELD KIT
2	90023805016	2	+SCREW - 5×16
3	69901644330	1	+KNIFE,TRIMMER LINE
4	90050000005	2	+NUT - 5
5	C552000240	1	+PLATE, SHIELD
6	90023805016	3	+SCREW - 5×16
7	89018623760	1	LABEL - CAUTION
8	X502000320	1	LABEL - ECHO



NO.	PART NUMBER	QTY.	DESCRIPTION
1	X606000080	1	TOOL, LOCKING
2	X690000080	1	GOGGLES



NO.	PART NUMBER	QTY.	DESCRIPTION
1	21560070		SRM ECHOMATIC HEAD
2	X472000050	1	+SPOOL
3	V265000470	1	+LOCKNUT
4	V306000130	1	+WASHER - 8
5	X471000100	1	+CAM, INNER
6	X471000110	1	+DRIVE, OUTER
7	V310000060	1	+WASHER - 14
8	V450001700	1	+SPRING
9	X470000251	1	+HOUSING ASY
10	X475000110	2	++EYELET
11	X505006450	1	++LABEL - CAUTION
12	X471000020	1	+BOLT, SHAFT