



**PARTS CATALOG**  
*Pro Attachment Series*

**999442-00890**  
**Blower**  
**Attachment**



SERIAL NUMBER  
NÚMERO DE SERIE

35001001-35999999

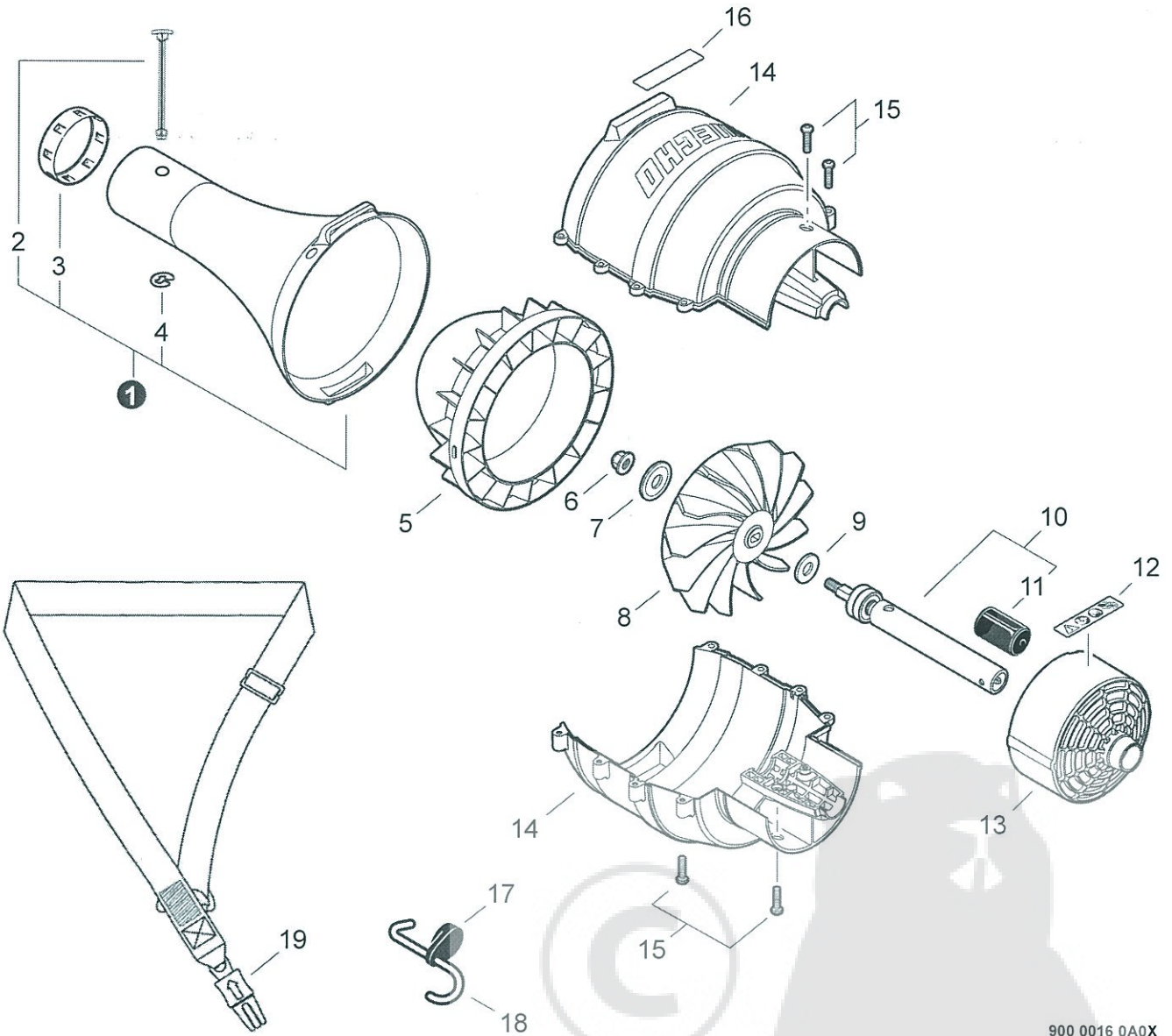
**ECHO, INCORPORATED**

400 Oakwood Road, Lake Zurich, Illinois 60047

[WWW.ECHO-USA.COM](http://WWW.ECHO-USA.COM)

©2012 ECHO, Incorporated. All Rights Reserved

P/N 99922201393  
REVISED 02/07/12



900 0016 0A0X

NO.	PART NUMBER	QTY.	DESCRIPTION
1	E165000640	1	ASSY, BLOWER TUBE
2	E178000080	1	+GUARD, TUBE
3	E167000000	1	+GUARD
4	V583000080	1	+E-RING
5	M106001050	1	GUIDE, AIR
6	9210808000	1	NUT, FLANGE
7	10014319830	1	WASHER 8.2×31×0.8
8	E100000250	1	FAN
9	V309000140	1	WASHER
10	P021037480	1	ASSY, MAIN PIPE
11	35122301130	1	+CAP, MAIN PIPE

NO.	PART NUMBER	QTY.	DESCRIPTION
12	X505002080	1	LABEL, CAUTION - ISO
13	E104000200	1	SHIELD, DEBRIS
14	E103000990	2	COVER, FAN
15	V805000010	10	BOLT, TORX 5×20
16	X547002280	1	LABEL, MODEL PAS BLOWER
17	C525000010	1	CAP, MAIN PIPE
18	C649000121	1	HANGER, ATTACHMENT
19	C062000100	1	HARNES, SHOULDER