



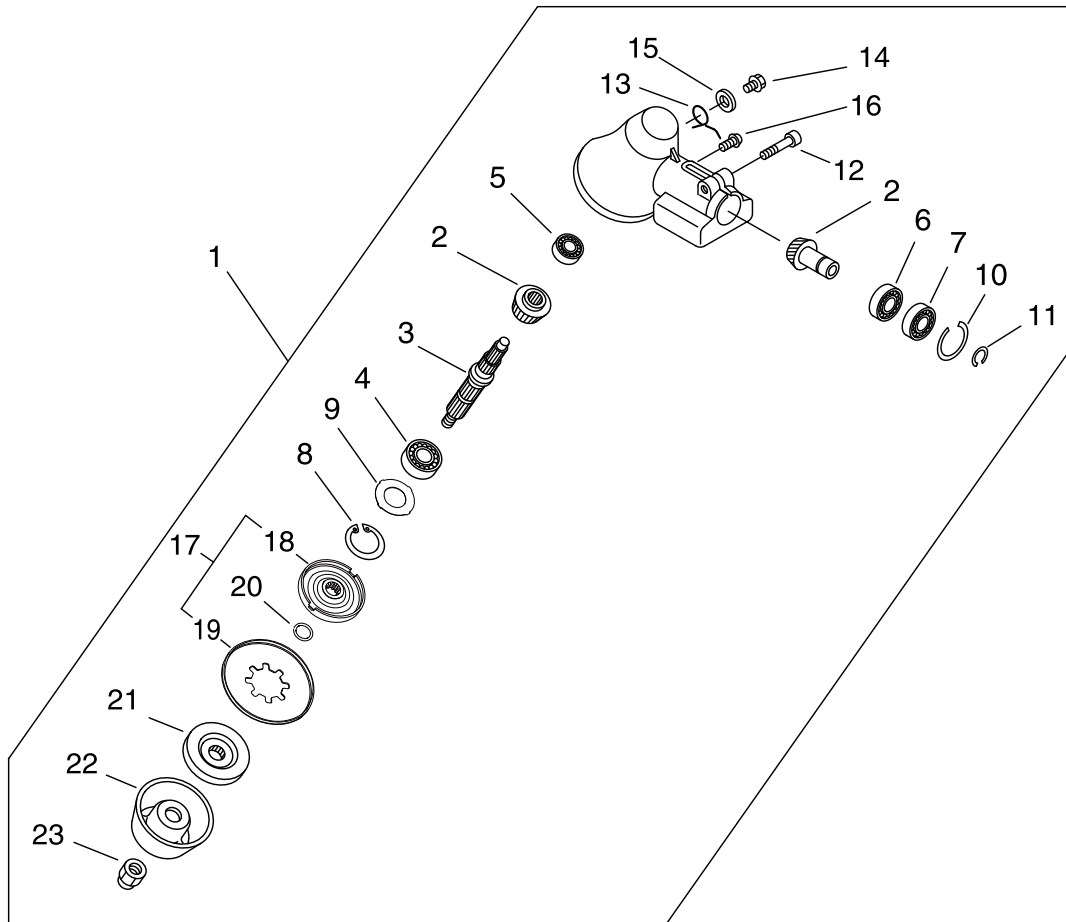
PARTS CATALOG

PAS ATTACHMENT

999442-00800

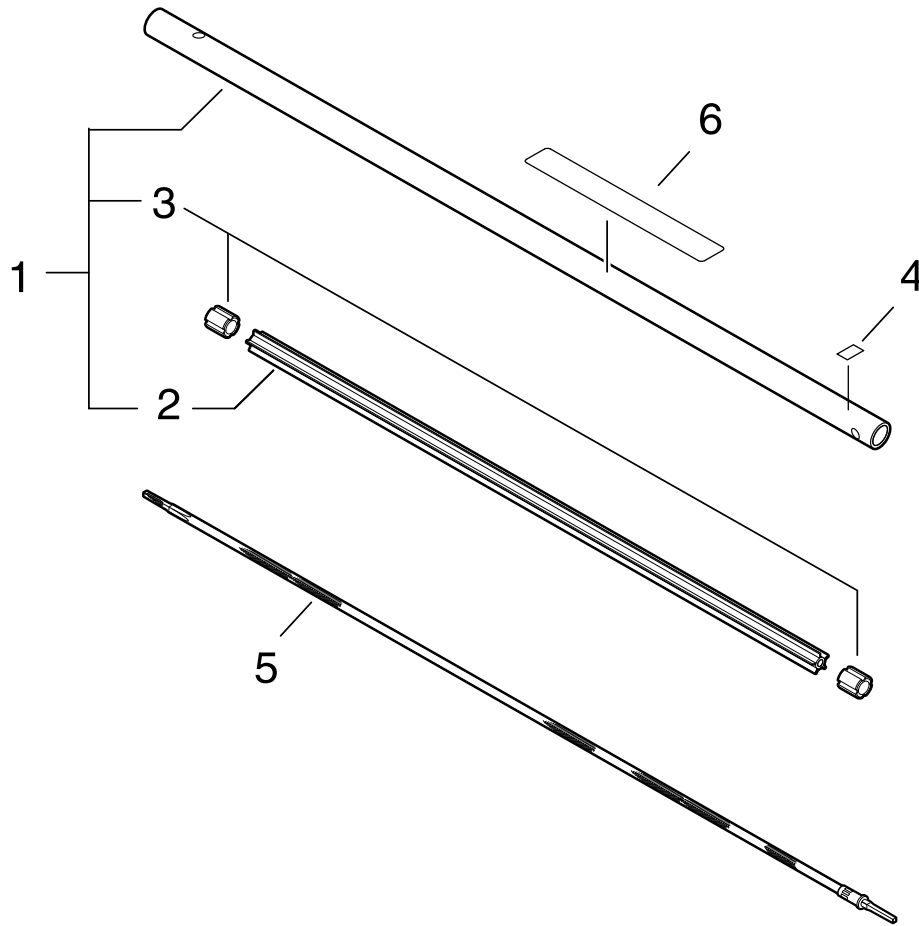


1. GEAR CASE



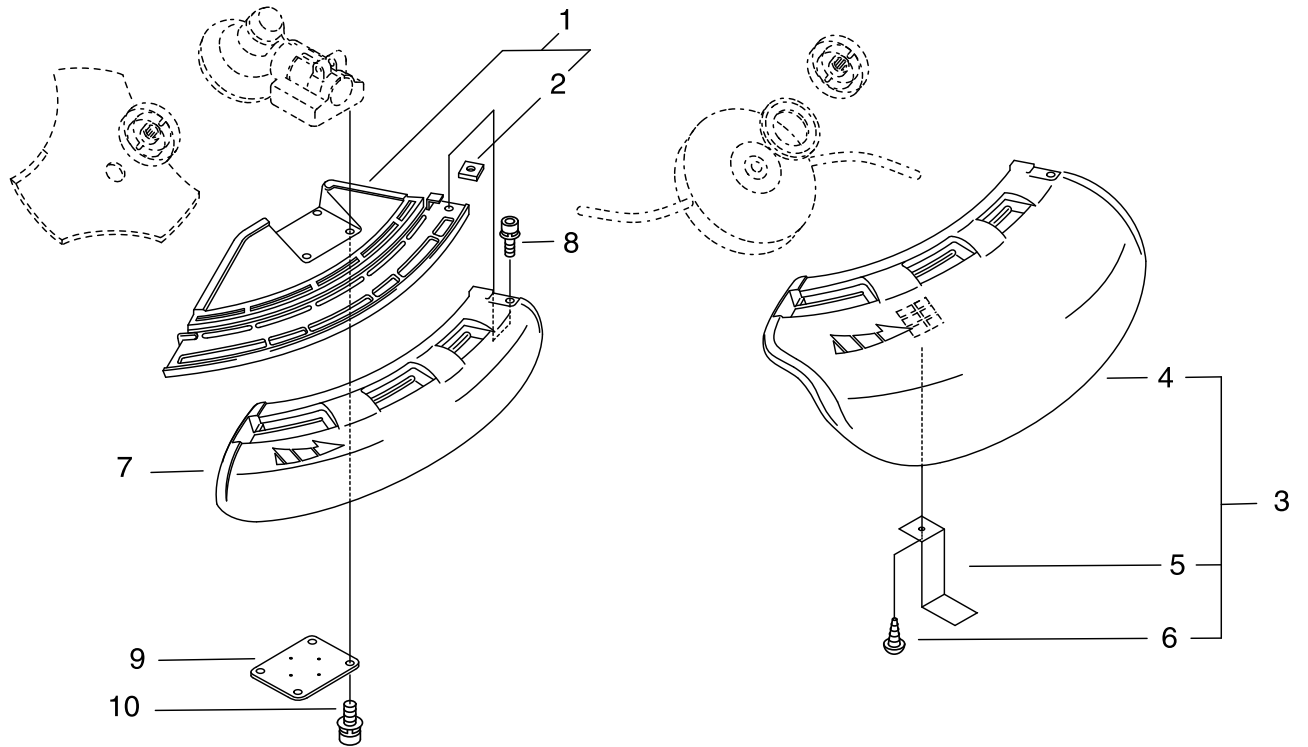
KEY	LV	PART NUMBER	Q'TY	DESCRIPTION	REMARKS	NOTE1	NOTE2
1		P021-005782	1	HOUSING ASY,GEAR			
2	+	610300-42330	1	GEAR SET			
3	+	610310-56830	1	SHAFT, P.T.O.			
4	+	900812-06201	1	BEARING, BALL 6201			
5	+	900810-00626	1	BEARING, BALL 626	626		
6	+	900855-06900	1	BEARING, BALL 6900	6900		
7	+	900858-06900	1	BEARING, BALL 6900Z	6900Z		
8	+	900702-00032	1	CIRCLIP 32	CR-32		
9	+	610444-56830	1	WASHER			
10	+	900702-00022	1	CIRCLIP 22	CR-22		
11	+	900706-00010	1	CIRCLIP 10	WR-10		
12	+	91118-06025	1	BOLT			
13	+	610473-52131	1	SPRING			
14	+	610434-50031	1	BOLT 8*8	M8*8		
15	+	900603-50008	1	WASHER	8.5*18*0.8T		
16	+	900242-05010	1	SCREW 5*10			
17	+	610313-52932	1	FIXTURE, BLADE			
18	++	610313-52132	1	FIXTURE, BLADE			
19	++	610352-56830	1	PLATE, CUP			
20	+	900720-00012	1	O-RING 12	P-12		
21	+	610314-52130	1	PLATE, ADAPTER (L)			
22	+	699229-56830	1	PLATE, COVER			
23	+	610320-52130	1	NUT 10			

2. MAIN PIPE



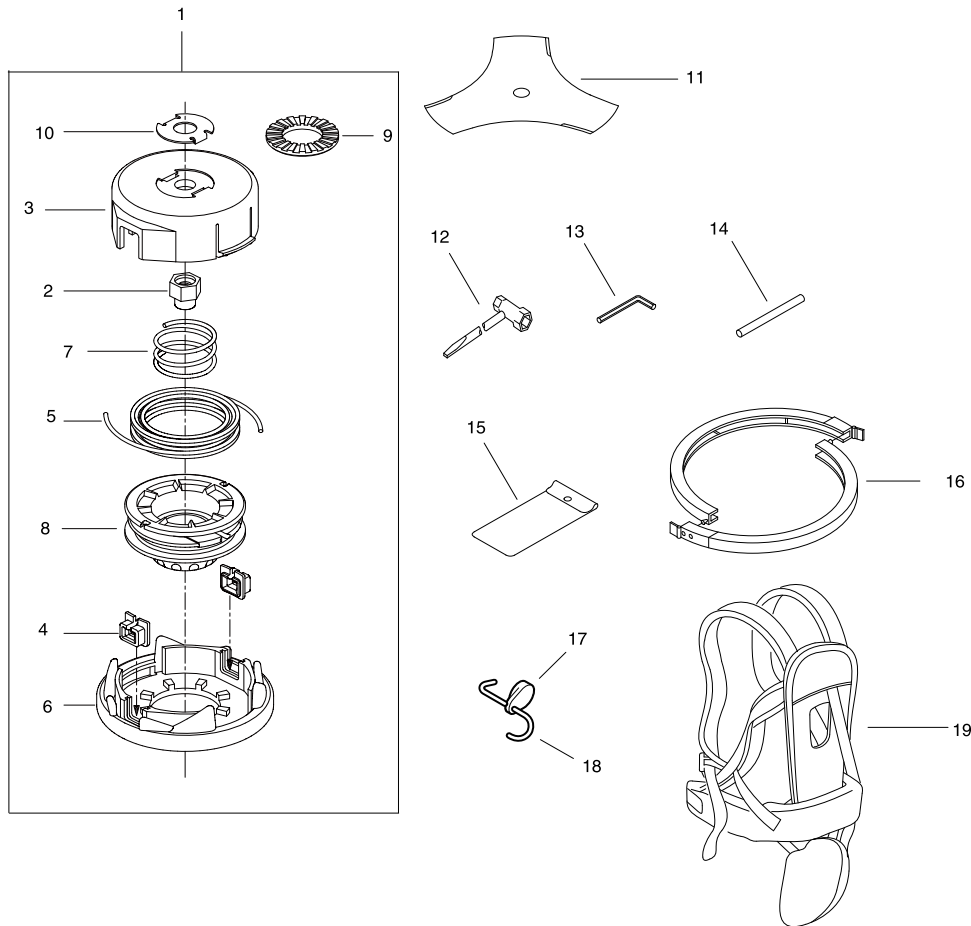
KEY	LV	PART NUMBER	Q'TY	DESCRIPTION	REMARKS	NOTE1	NOTE2
1		C050-001000	1	PIPE, MAIN			
2	+	610217-52630	1	LINER, FLEXIBLE			
3	+	610246-44730	2	STOPPER			
4		890152-04930	1	LABEL, CAUTION			
5		C506-000002	1	SHAFT, FLEXIBLE			
6		890617-43130	1	LABEL, CAUTION			

3. SHIELD



KEY	LV	PART NUMBER	Q'TY	DESCRIPTION	REMARKS	NOTE1	NOTE2
1		C550-000100	1	SHIELD, BLADE			
2	+	900565-00005	1	NUT	5		
3		P021-013770	1	SHIELD KIT			
4	+	C550-000080	1	SHIELD, BLADE			
5	+	C554-000030	1	KNIFE, CORD			
6	+	900252-05012	1	SCREW 5*12			
7		C550-000090	1	SHIELD, BLADE			
8		91118-05018	1	BOLT			
9		699013-56830	1	PLATE, SHIELD			
10		91118-05025	4	BOLT			

4. ACCESSORIES



KEY	LV	PART NUMBER	Q'TY	DESCRIPTION	REMARKS	NOTE1	NOTE2
1		X047-000270	1	CUTTER,ASM LINE	F4/10 M10L		
2	+	P022-001220	1	NUT			
3	+	P022-003310	1	HOUSING			
4	+	P022-000710	2	EYELET			
5	+	P022-006190	1	NYLON CODE	3.0*2M		
6	+	P022-003330	1	COVER			
7	+	P022-001250	1	SPRING	DS-3/10		
8	+	P022-001260	1	BOBBIN	DS-3/10		
9	+	V332-000000	1	WASHER,CIRCULAR 24			
10	+	P022-032240	1	TOP PLATE			
11		X405-000011	1	SAW,BUSH CUTTER	3*230*25.4*T2.0		
12		X602-000020	1	TOOL,WRENCH	17*19 L200		
13		895610-00130	1	L-WRENCH (4MM)			
14		X606-000080	1	TOOL,BAR	5*120		
15		898510-07130	1	BAG, TOOL			
16		P021-007470	1	SCABBARD,BLADE			
17		C525-000010	1	CAP,MAIN PIPE	25MM PIPE		
18		C649-000120	1	HOOK			
19		C062-000280	1	HARNESS, SHOULDER			

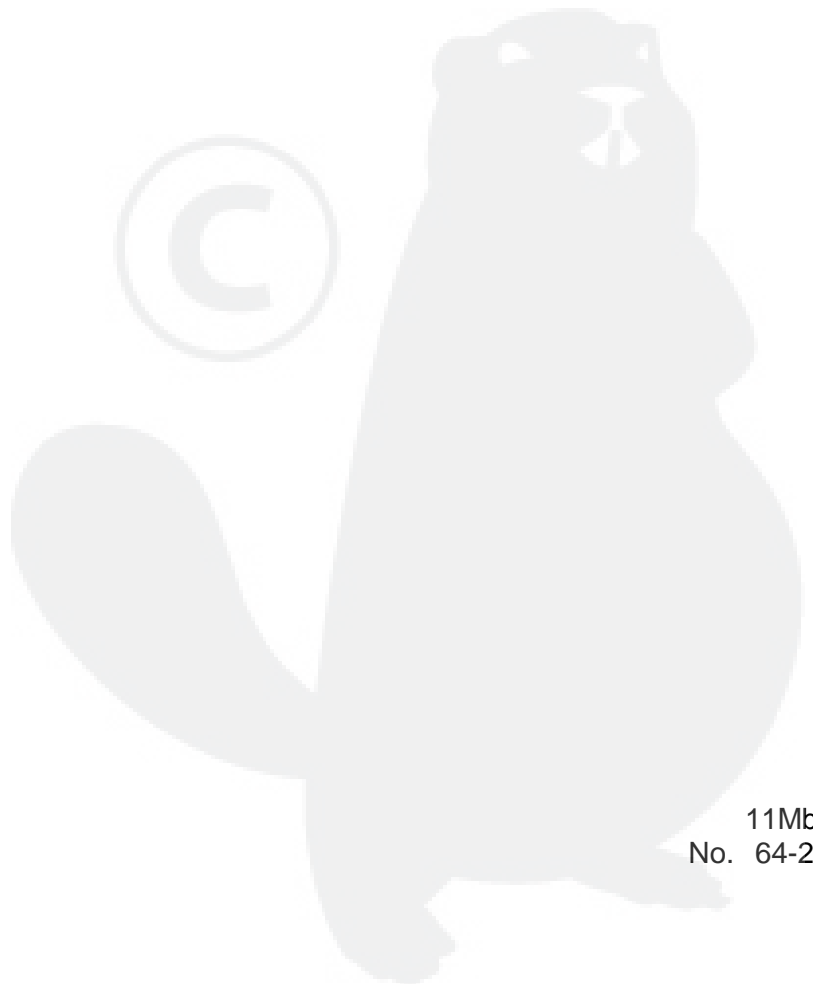
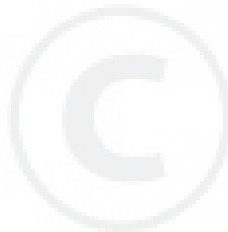
Index

Patrs Number	Key No.	Patrs Number	Key No.	Patrs Number	Key No.
610217-52630	2 - 2	P022-003310	4 - 3		
610246-44730	2 - 3	P022-003330	4 - 6		
610300-42330	1 - 2	P022-006190	4 - 5		
610310-56830	1 - 3	P022-032240	4 - 10		
610313-52132	1 - 18	V332-000000	4 - 9		
610313-52932	1 - 17	X047-000270	4 - 1		
610314-52130	1 - 21	X405-000011	4 - 11		
610320-52130	1 - 23	X602-000020	4 - 12		
610352-56830	1 - 19	X606-000080	4 - 14		
610434-50031	1 - 14				
610444-56830	1 - 9				
610473-52131	1 - 13				
699013-56830	3 - 9				
699229-56830	1 - 22				
890152-04930	2 - 4				
890617-43130	2 - 6				
895610-00130	4 - 13				
898510-07130	4 - 15				
900242-05010	1 - 16				
900252-05012	3 - 6				
900565-00005	3 - 2				
900603-50008	1 - 15				
900702-00022	1 - 10				
900702-00032	1 - 8				
900706-00010	1 - 11				
900720-00012	1 - 20				
900810-00626	1 - 5				
900812-06201	1 - 4				
900855-06900	1 - 6				
900858-06900	1 - 7				
91118-05018	3 - 8				
91118-05025	3 - 10				
91118-06025	1 - 12				
C050-001000	2 - 1				
C062-000280	4 - 19				
C506-000002	2 - 5				
C525-000010	4 - 17				
C550-000080	3 - 4				
C550-000090	3 - 7				
C550-000100	3 - 1				
C554-000030	3 - 5				
C649-000120	4 - 18				
P021-005782	1 - 1				
P021-007470	4 - 16				
P021-013770	3 - 3				
P022-000710	4 - 4				
P022-001220	4 - 2				
P022-001250	4 - 7				
P022-001260	4 - 8				

YAMABIKO CORPORATION

7-2 SUEHIROCHO 1-CHOME, OHME, TOKYO 198-8760, JAPAN
PHONE: 81-428-32-6118. FAX: 81-428-32-6145.

ECHO[®]



11Mb
No. 64-237