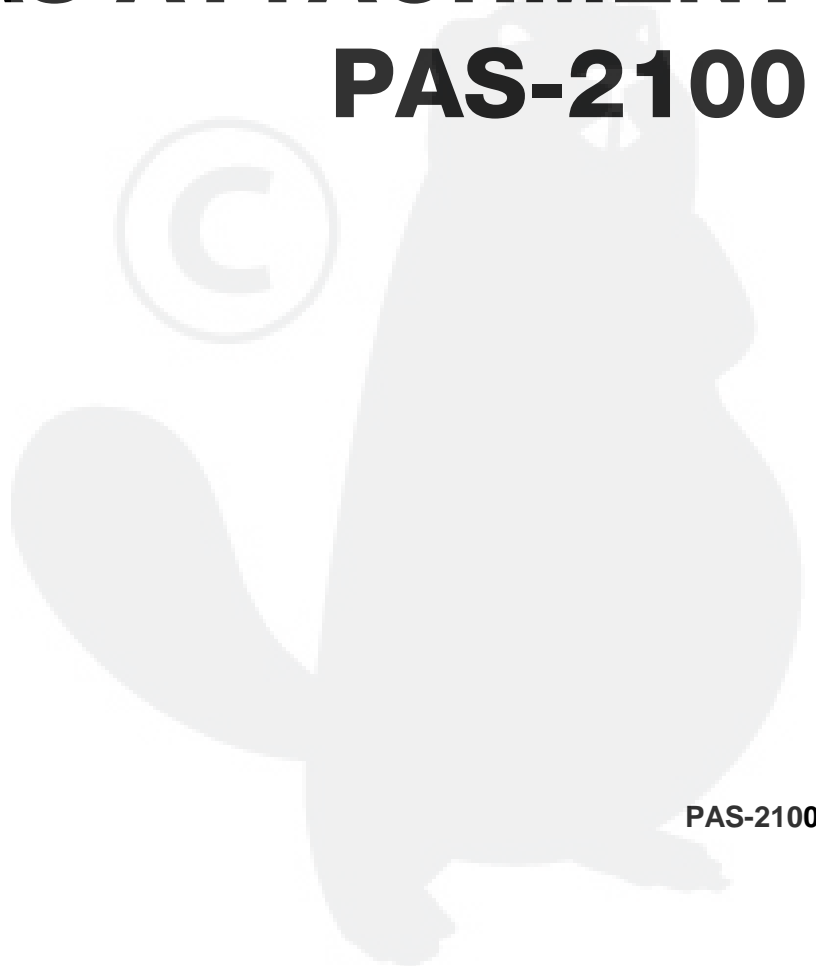
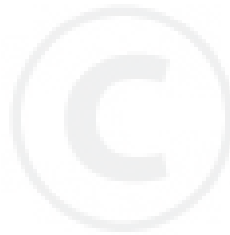




PARTS CATALOG

PAS ATTACHMENT

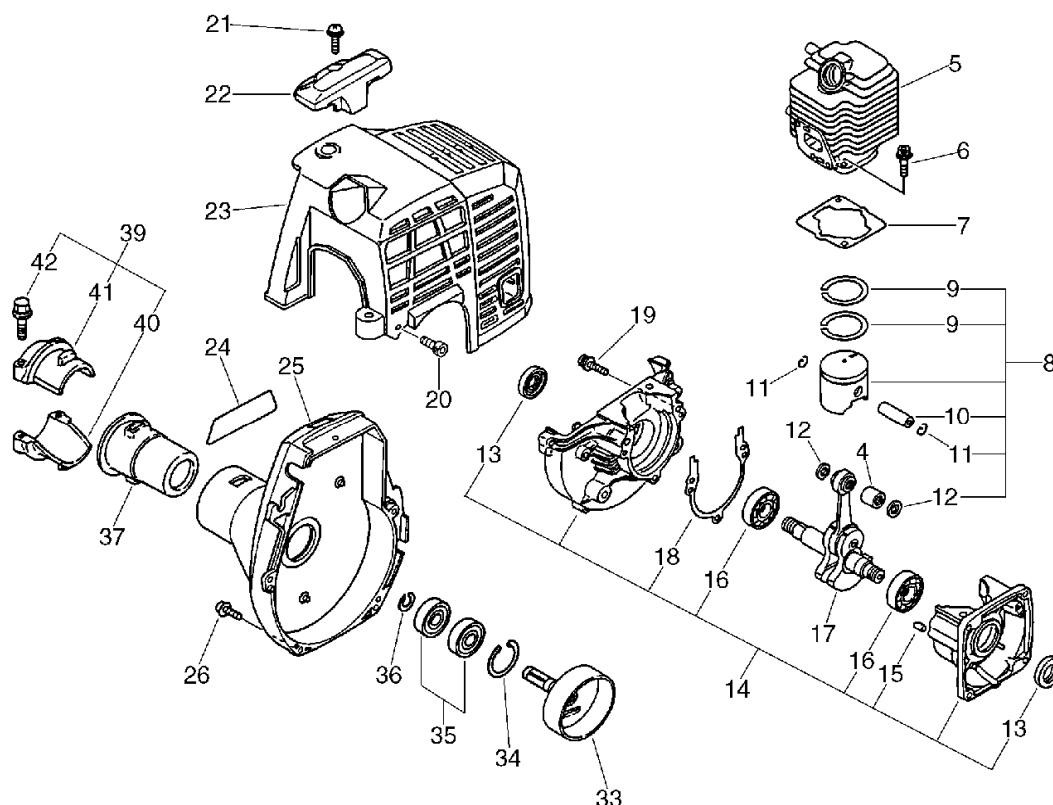
PAS-2100



PAS-2100

1. Cylinder, Crankcase, Piston, Fan Cover

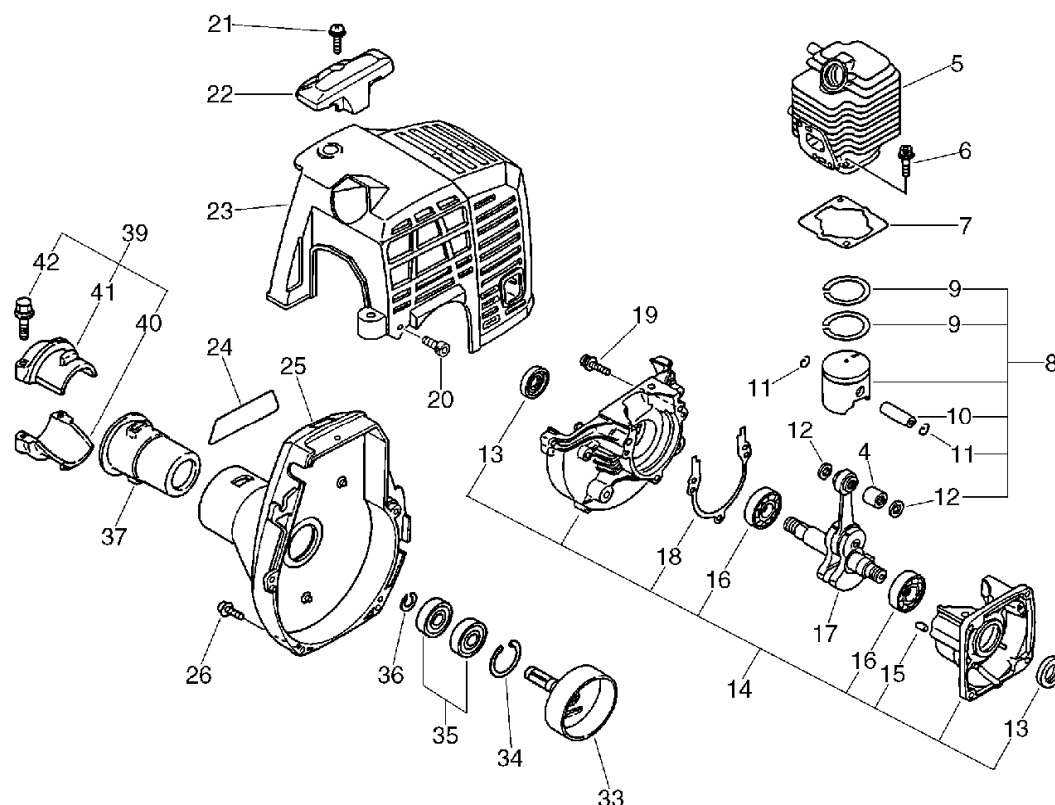
No.1



KEY	LV	PART NUMBER	Q'TY	DESCRIPTION	REMARKS	NOTE1	NOTE2
5		A130-000011	1	CYLINDER		Sus. by A130-000021	
5		A130-000021	1	CYLINDER			
6		900162-05022	2	BOLT, H.S. 5*22	5*22 W,SW		
7		101010-44332	1	GASKET, CYL. BASE			
8		P021-001101	1	PISTON KIT		Sus. by P021-001102	
8		P021-001102	1	PISTON KIT			
9	+	A101-000000	2	RING,PISTON			
10	+	100013-11520	1	PIN, PISTON			
11	+	100015-04630	2	CIRCLIP, PISTON PIN			
12	+	100014-11520	2	SPACER, PISTON PIN			
14		100204-52130	1	CRANKCASE KIT		Sus. by 100204-52132	
14		100204-52131	1	CRANKCASE KIT		Sus. by 100204-52132	
14		100204-52132	1	CRANKCASE KIT			
13	+	100212-42030	2	OILSEAL	ISCD12*22*4.5	Sus. by 100212-42031	
13	+	100212-42031	2	OILSEAL	ISCD 12*22*4.5		
15	+	100215-03930	2	PIN, DOWEL			
16	+	900810-36201	2	BEARING, BALL 6201	6201/C3	Sus. by 94035-36201	
16	+	94035-36201	2	BEARING BALL	6201X3JR2C3		
18	+	100242-42030	1	GASKET, CRANKCASE			

1. Cylinder, Crankcase, Piston, Fan Cover

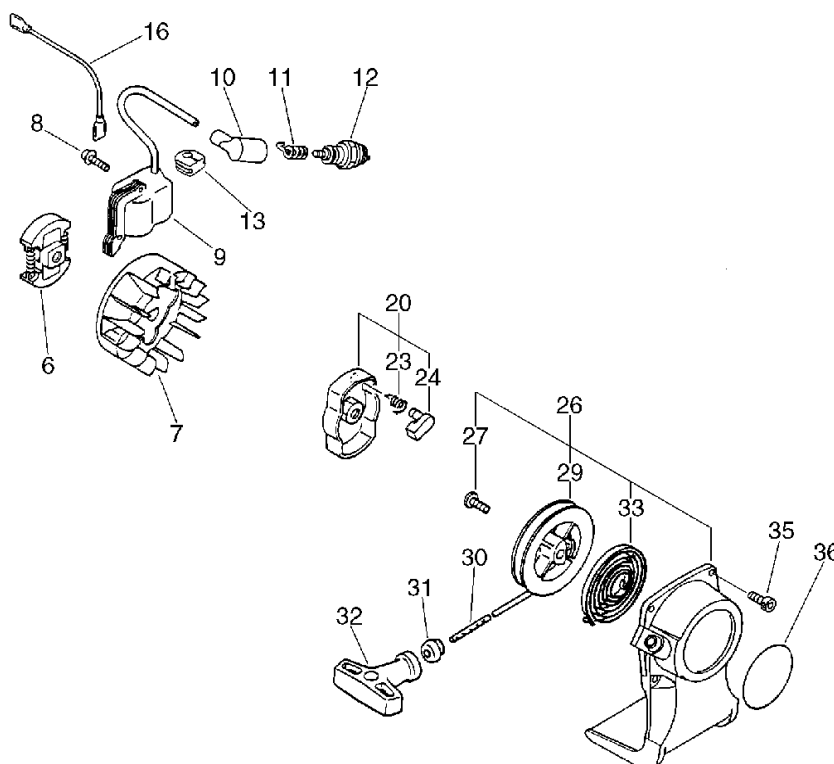
No.1



KEY	LV	PART NUMBER	Q'TY	DESCRIPTION	REMARKS	NOTE1	NOTE2
19	+	900162-05028	3	BOLT, H.S. 5*28	5*28 W,SW		
17		A011-000000	1	CRANKSHAFT,ASM		Sus. by A011-000002	
17		A011-000001	1	CRANKSHAFT,ASM		Sus. by A011-000002	
17		A011-000002	1	CRANKSHAFT,ASM			
4	+	100012-51230	1	BEARING, NEEDLE	8*12*10	Sus. by V553-000010	
4	+	V553-000010	1	BEARING,NEEDLE 8	HK0810		
20		900163-04016	2	BOLT HSH			
21		900238-05016	1	SCREW 5*16	5*16		
22		159912-54130	1	GUARD, TOP			
23		101514-48930	1	COVER, CYLINDER			
24		890112-66030	1	LABEL, MODEL			
25		101503-52131	1	COVER ASSY, FAN			
26		900163-04016	4	BOLT HSH			
33		175005-48931	1	DRUM, CLUTCH			
34		900702-00028	1	CIRCLIP 28	CR-28		
35		900807-96001	2	BEARING, BALL 6001	6001		
36		900701-00012	1	CIRCLIP 12	CS-12		
37		610910-55230	1	CUSHION			
39		610903-55230	1	HOLDER KIT			
40	+	610923-55230	1	HOLDER			
41	+	610922-27432	1	HOLDER			
42	+	900142-05025	2	BOLT 5*25 (W/W,SW)	5*25		

2. Starter, Magneto, Clutch

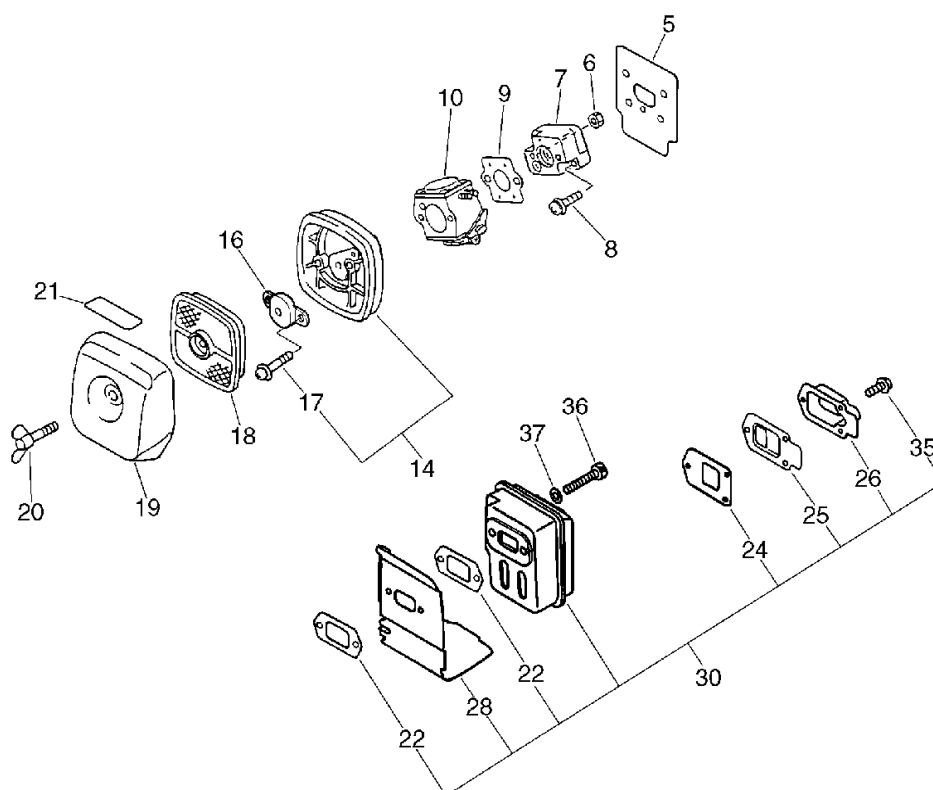
No.2



KEY	LV	PART NUMBER	Q'TY	DESCRIPTION	REMARKS	NOTE1	NOTE2
6		175000-56830	1	CLUTCH ASSY			
7		156801-09660	1	FLYWHEEL			
8		900162-04022	2	BOLT, H.S. 4*22	4*22 W,SW		
9		156626-52730	1	COIL, IGNITION			
10		159012-03433	1	CAP, SPARK PLUG			
11		159011-03432	1	COIL, SPARK PLUG			
12		159017-10230	1	PLUG, SPARK (RCJ-7Y)	RCJ-7Y		
13		156112-40630	1	GROMMET			
16		162010-52830	1	LEAD, GROUND			
20		177202-44330	1	PAWL ASSY, STARTER		Sus. by 177202-44331	
20		177202-44331	1	PAWL ASM., STARTER			
23	+	177234-42030	1	SPRING, RETURN		Sus. by 177234-12220	
23	+	177234-12220	1	SPRING, PAWL			
24	+	177218-44330	1	PAWL, STARTER	BLACK		
26		177200-54130	1	STARTER ASSY			
27	+	177236-44330	1	SCREW			
29	+	177215-44430	1	DRUM, STARTER			
30	+	177226-10120	1	ROPE, STARTER	3.0*1000		
31	+	177227-42030	1	GUIDE, ROPE			
32	+	177228-06530	1	GRIP, STARTER			
33	+	177220-42030	1	SPRING, REWIND			
35		900163-04016	2	BOLT HSH			
36		890118-49130	1	LABEL, ECHO			

3. Air Cleaner, Muffler

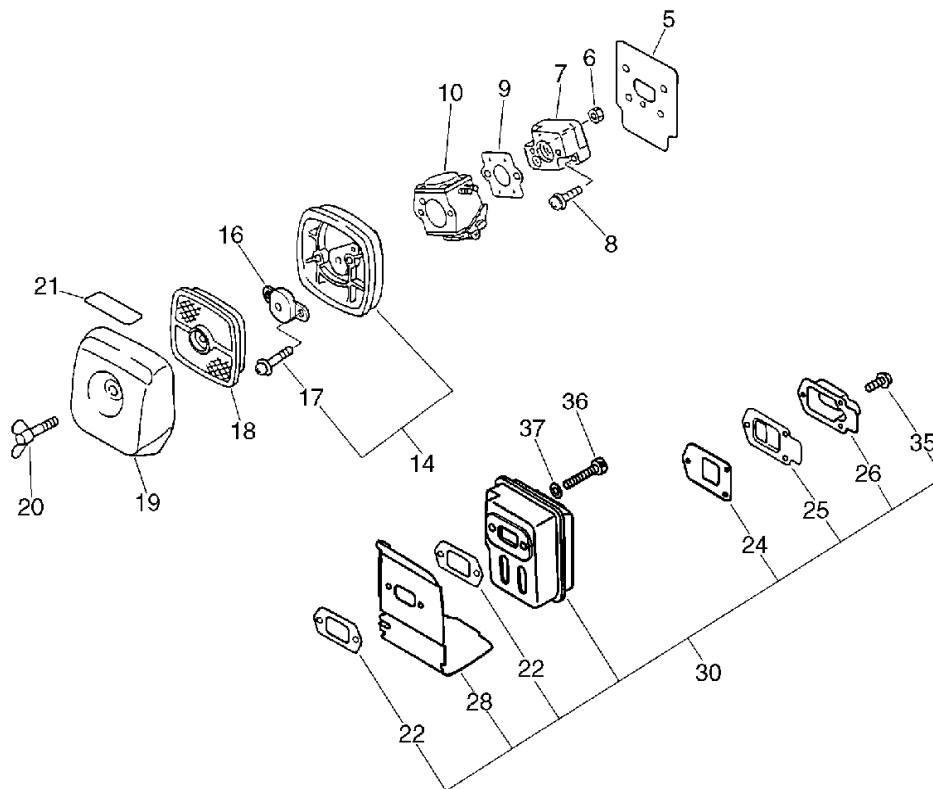
No.3



KEY	LV	PART NUMBER	Q'TY	DESCRIPTION	REMARKS	NOTE1	NOTE2
5		130010-42032	1	GASKET,INTAKE			
6		900500-00005	2	NUT 5	5		
7		130017-42031	1	INSULATOR, INTAKE			
8		900238-05020	2	SCREW 5*20	5*20		
9		130016-42031	1	GASKET, INTAKE		Sus. by V103-000111	
9		V103-000111	1	GASKET,INTAKE		Sus. by 130016-42031	
9		130016-42031	1	GASKET, INTAKE			
10		125200-13312	1	CARBURETOR	C1U-K52	Sus. by 125200-13314	
10		125200-13313	1	CARBURETOR	C1U-K52	Sus. by 125200-13314	
10		125200-13314	1	CARBURETOR	C1U-K52		
14		130307-06561	1	CASE, AIR CLEANER		Sus. by P021-002921	
14		P021-002921	1	CASE, AIR CLEANER			
17	+	900242-05065	2	SCREW 5*65	5*65		
16		129011-52730	1	PLATE, PREVENT			
18		130310-54130	1	FILTER, AIR			
19		130313-06563	1	LID, AIR CLEANER			
20		210417-52730	1	BOLT, WING	5*20		
21		890121-05360	1	LABEL, METERING			
30		P021-001380	1	MUFFLER ASY		Sus. by P021-001384	

3. Air Cleaner, Muffler

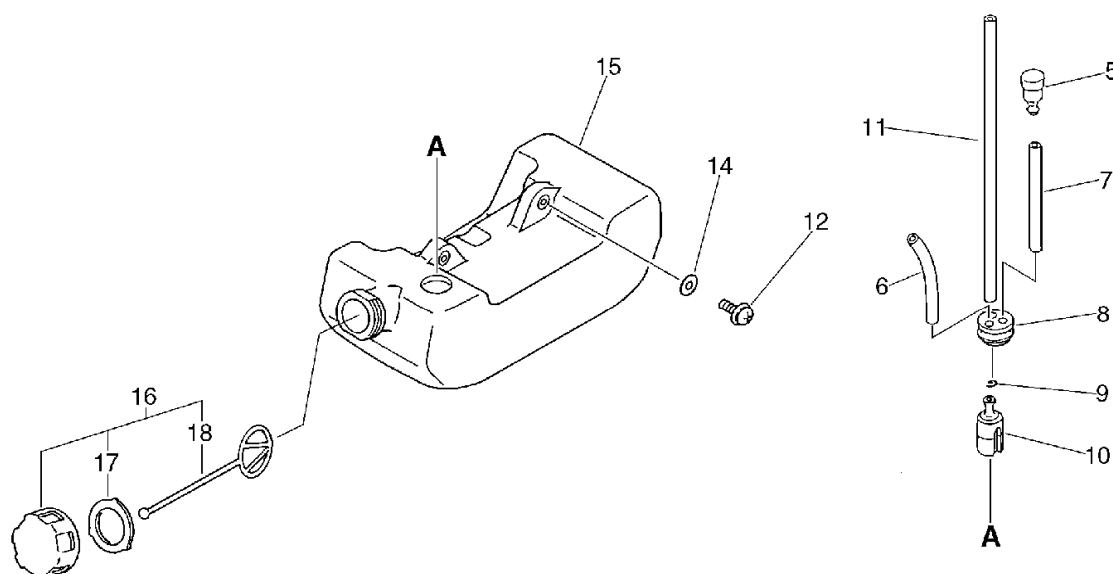
No.3



KEY	LV	PART NUMBER	Q'TY	DESCRIPTION	REMARKS	NOTE1	NOTE2
30		P021-001382	1	MUFFLER ASY		Sus. by P021-001384	
30		P021-001383	1	MUFFLER ASY		Sus. by P021-001384	
30		P021-001384	1	MUFFLER ASY			
22	+	145510-42031	2	GASKET, MUFFLER		Sus. by V104-000160	
22	+	V104-000160	2	GASKET, EXHAUST			
24	+	V104-000001	1	GASKET, EXHAUST		Sus. by V104-000003	
24	+	V104-000002	1	GASKET, EXHAUST		Sus. by V104-000003	
24	+	V104-000003	1	GASKET, EXHAUST			
25	+	145876-42030	1	LID, MUFFLER (B)			
26	+	A313-000000	1	GUIDE, EXH			
28	+	145871-44331	1	COVER, MUFFLER		Sus. by A320-000251	
28	+	145631-42030	1	COVER, MUFFLER		Sus. by A320-000251	
28	+	A320-000250	1	COVER, MUFFLER		Sus. by A320-000251	
28	+	A320-000251	1	COVER, MUFFLER			
35	+	900238-04010	3	SCREW 4*10	4*10		
36		900105-05055	2	BOLT, H.S. 5*55	5*55		
37		900600-00005	2	WASHER 5	5		

4. Fuel Tank

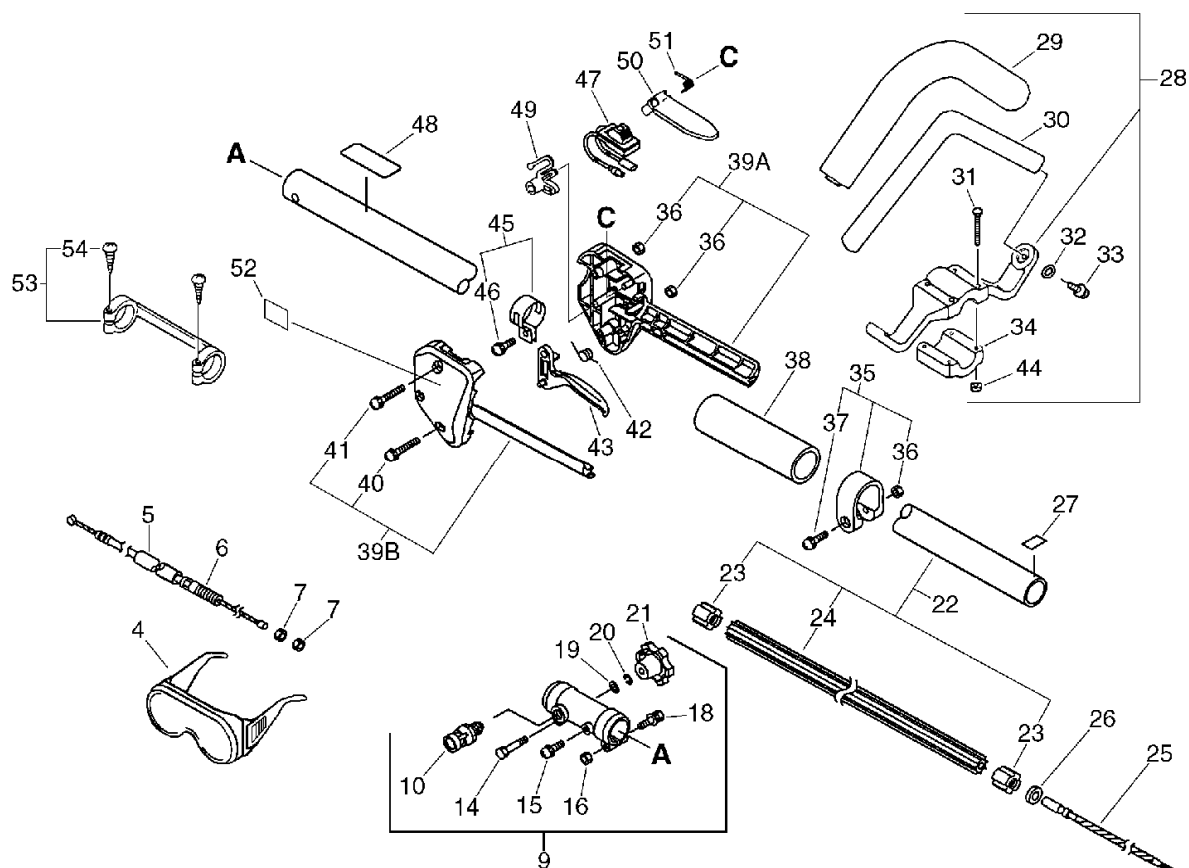
No.4



KEY	LV	PART NUMBER	Q'TY	DESCRIPTION	REMARKS	NOTE1	NOTE2
5		131300-56430	1	VALVE, CHECK		Sus. by A356-000030	
5		A356-000030	1	VALVE,CHECK			
6		132010-56330	1	PIPE 3*6*90	3*6*90 YL		
7		131312-39130	1	PIPE	3*5*70(+3)NBR	Sus. by V471-001200	
7		V471-001200	1	PIPE	3*5*70 NBR		
8		132115-46730	1	GROMMET, FUEL		Sus. by V137-000030	
8		V137-000030	1	GROMMET, FUEL			
9		132013-09820	1	CLIP	6MM		
10		131205-07320	1	STRAINER, FUEL			
11		131312-39130	1	PIPE	3*5*70(+3)NBR	Sus. by V471-001200	
11		V471-001200	1	PIPE	3*5*70 NBR		
12		900238-05016	2	SCREW 5*16	5*16		
14		900603-00005	2	WASHER 5	5.5*12*0.8		
15		131005-46830	1	TANK, FUEL		Sus. by 131005-46831	
15		131005-46831	1	TANK, FUEL			
16		131004-08960	1	CAP ASSY, FUEL			
17	+	131016-55830	1	GASKET, FUEL CAP			
18	+	131051-52430	1	CONNECTOR, CAP	80L		

5. Handle, Tool

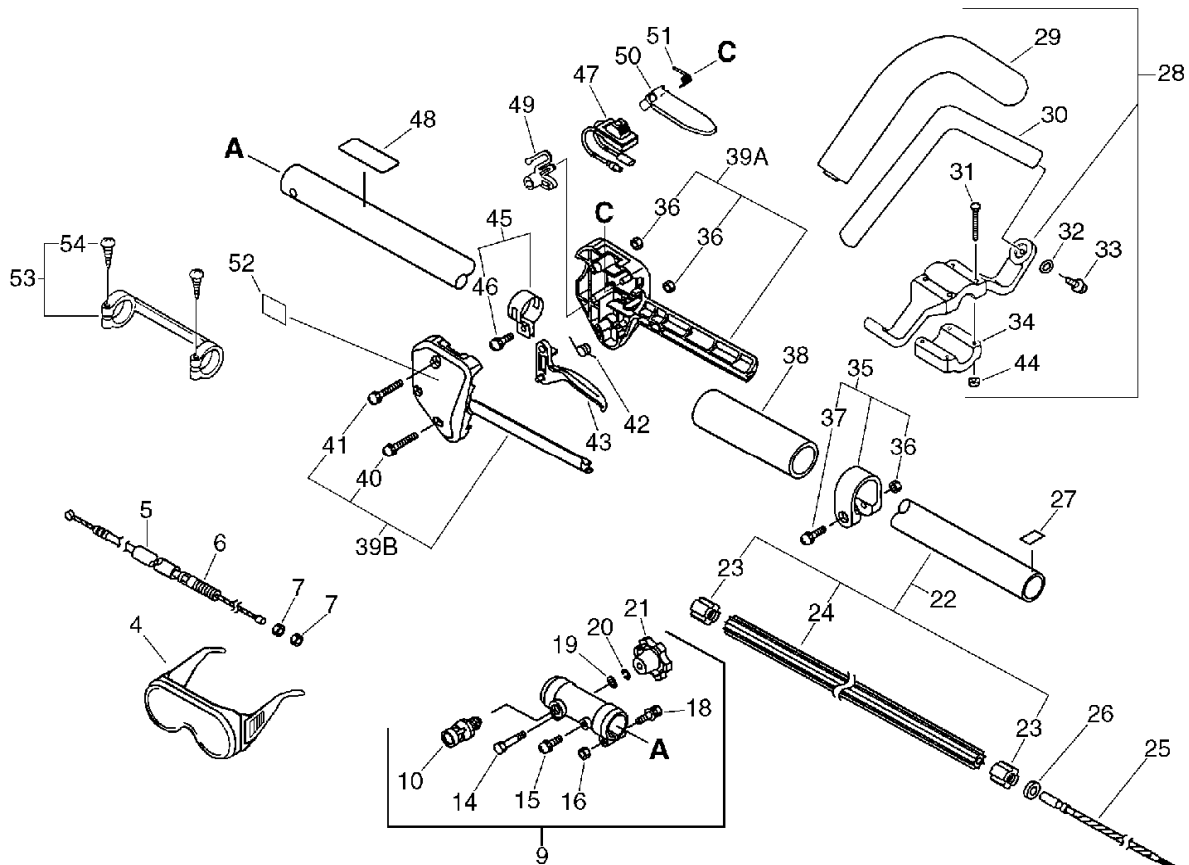
No.5



KEY	LV	PART NUMBER	Q'TY	DESCRIPTION	REMARKS	NOTE1	NOTE2
4		899580-68730	1	SAFETY GLASSES		Sus. by X690-000030	
4		X690-000030	1	GOGGLE			
5		178127-50330	1	TUBE	10*11*140		
6		178001-56730	1	CABLE, THROTTLE			
7		900502-00006	2	NUT 6 (3N)	3N6		
9		610601-56731	1	BRACKET ASSEMBLY		Sus. by 610601-56732	
9		610601-56732	1	BRACKET ASSEMBLY			
10	+	178302-56630	1	LATCH ASSY			
14	+	900100-05035	1	BOLT 5*35	5*35	Can be used on the 610601-56731 only	
14	+	900162-05040	1	BOLT, H.S. 5*40	5*40 W,SW	Can be used on the 610601-56732 only	
15	+	900242-05012	1	SCREW 5*12	5*12		
16	+	900500-00005	1	NUT 5	5	Can be used on the 610601-56731 only	
18	+	900142-05030	1	BOLT 5*30 (W/W,SW)	5*30	Can be used on the 610601-56731 only	
18	+	900162-05028	1	BOLT, H.S. 5*28	5*28 W,SW	Can be used on the 610601-56732 only	

5. Handle, Tool

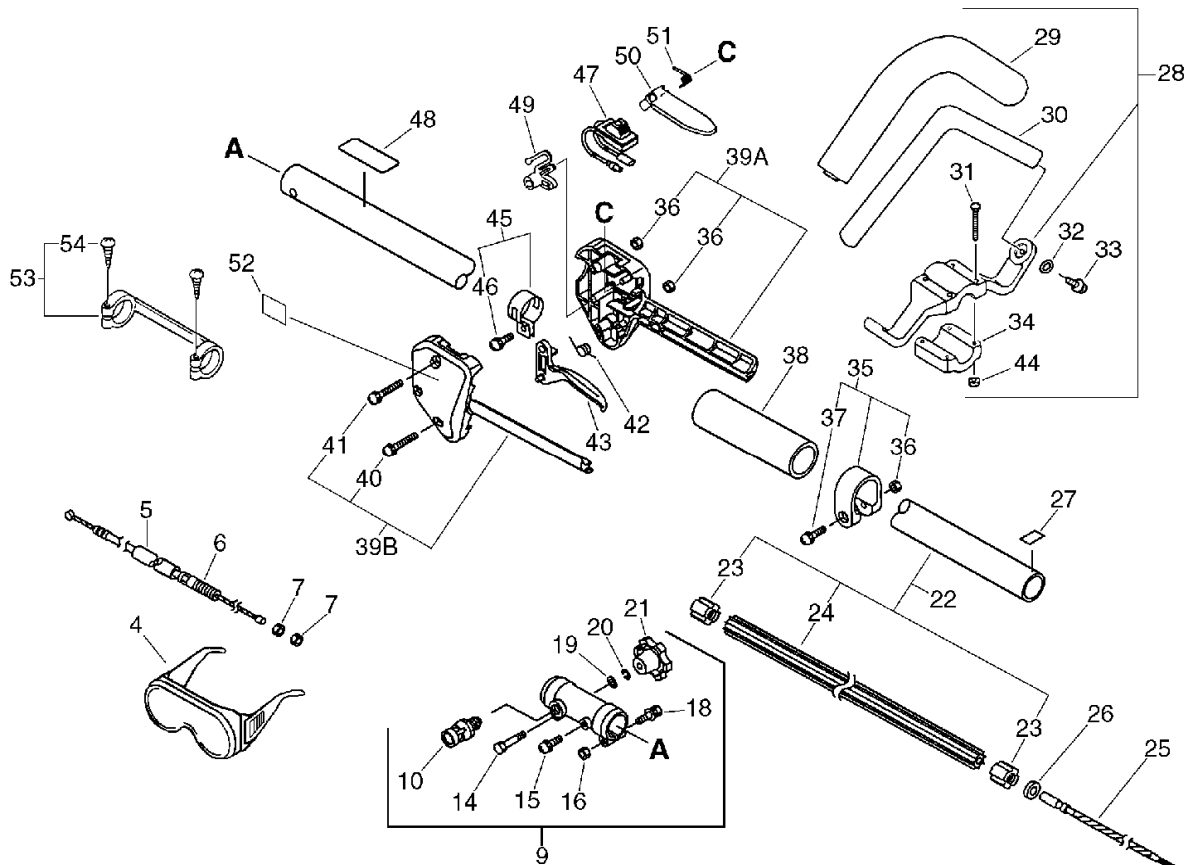
No.5



KEY	LV	PART NUMBER	Q'TY	DESCRIPTION	REMARKS	NOTE1	NOTE2
19	+	900600-00005	1	WASHER 5	5		
20	+	900605-00005	1	WASHER, SPRING 5	5		
21	+	352325-27630	1	KNOB		Sus. by V299-000100	
21	+	V299-000100	1	KNOB,FASTENER			
22		610206-56730	1	HOUSING ASSY, D.SHFT			
23	+	610246-44730	2	STOPPER			
24	+	610217-56730	1	LINER, FLEXIBLE			
25		610013-55630	1	SHAFT, FLEXIBLE			
26		100251-56630	1	CUSHION			
27		890152-04930	1	LABEL, CAUTION			
28		P021-000020	1	FRONT HANDLE ASY		Sus. by P021-000021	
28		P021-000021	1	FRONT HANDLE ASY			
29	+	351216-66230	1	GRIP, HANDLE			
30	+	351205-66230	1	HANDLE, FRONT			
31	+	900242-05035	4	SCREW 5*35	5*35		
32	+	900600-00005	2	WASHER 5	5		
33	+	889950-21060	2	SCREW 5		Sus. by 900253-05020	
33	+	900253-05020	2	SCREW 5*20	5*20		
34	+	351225-07130	1	BRACKET, HANDLE (25)	25		
44	+	900500-00005	4	NUT 5	5		
35		610272-52130	1	BAND			
36	+	900500-00005	1	NUT 5	5		
37	+	900242-05028	1	SCREW 5*28	5*28		

5. Handle, Tool

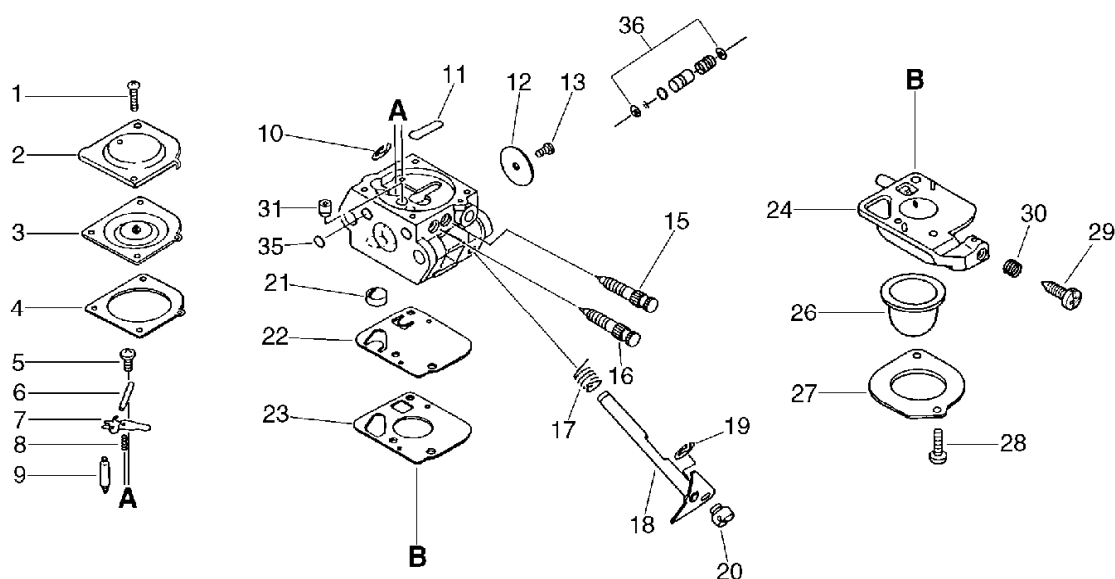
No.5



KEY	LV	PART NUMBER	Q'TY	DESCRIPTION	REMARKS	NOTE1	NOTE2
38		351213-52130	1	GRIP			
39		178003-52130	1	BRACKET SET, THROTTLE			
36	+	900500-00005	2	NUT 5	5		
40	+	900242-05025	1	SCREW 5*25	5*25		
41	+	900242-05035	1	SCREW 5*35	5*35		
42		178043-42230	1	SPRING, THR. RETURN			
43		178010-52130	1	CONTROL, THROTTLE			
45		301200-29430	1	BAND ASSY			
46	+	900242-05014	1	SCREW 5*14	5*14		
47		163400-49230	1	SWITCH, IGNITION		Sus. by 163401-55631	
47		163401-55631	1	SWITCH, IGNITION			
48		890617-07660	1	LABEL, CAUTION			
49		178012-52730	1	LOCKOUT, THROTTLE			
50		178090-52630	1	LOCKOUT, T. CONTROL		Sus. by 178090-52632	
50		178090-52631	1	LOCKOUT, T. CONTROL		Sus. by 178090-52632	
50		178090-52632	1	LOCKOUT, T. CONTROL			
51		178013-52630	1	SPRING, THR. LOCK			
52		890157-39130	1	LABEL, SWITCH			
53		610281-54130	1	COLLER			
54	+	900253-04025	2	SCREW 4*25	4*25		

6. Carburetor

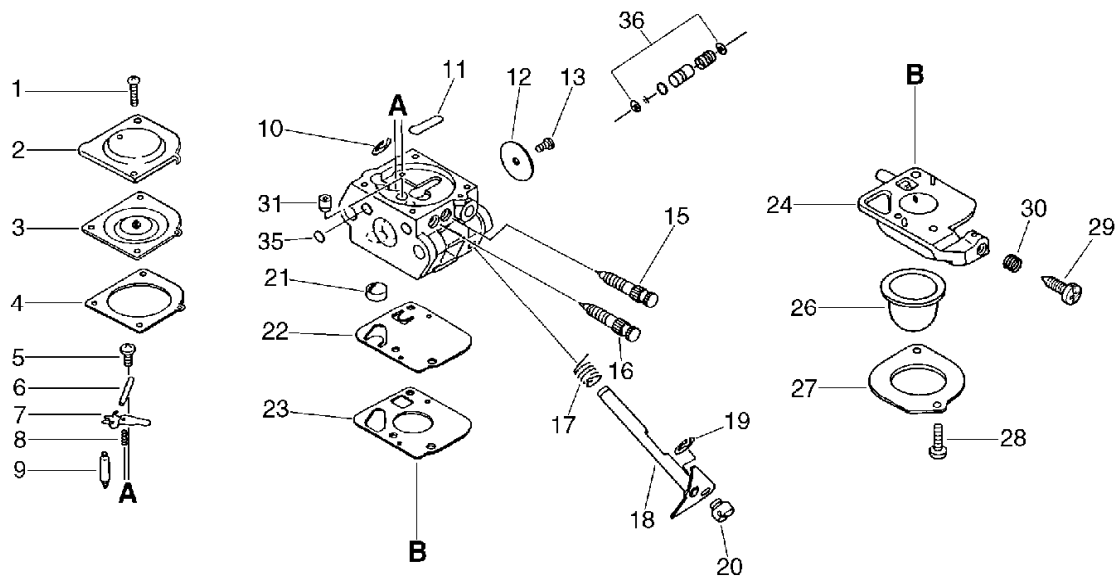
No.6



KEY	LV	PART NUMBER	Q'TY	DESCRIPTION	REMARKS	NOTE1	NOTE2
		125200-13312	1	CARBURETOR	C1U-K52	Sus. by 125200-13314	
		125200-13313	1	CARBURETOR	C1U-K52	Sus. by 125200-13314	
		125200-13314	1	CARBURETOR	C1U-K52		
1	+	125344-52130	2	SCREW			
2	+	125342-13210	1	COVER, DIAPHRAGM			
3	+	125341-49030	1	DIAPHRAGM			
4	+	125340-51030	1	GASKET, DIAPHRAGM			
5	+	125339-42030	1	SCREW			
6	+	125338-13930	1	PIN, METERING ARM			
7	+	125323-42030	1	LEVER, METERING			
8	+	125322-42030	1	SPRING, COIL			
9	+	125337-06960	1	VALVE, INLET NEEDLE			
10	+	125327-15130	1	CLIP			
11	+	125345-15130	1	PLUG, WELCH			
12	+	125316-49030	1	VALVE, THROTTLE			
13	+	125314-13930	1	SCREW	3*4		
15	+	125318-13120	1	SCREW, IDLE NEEDLE			
16	+	125320-13310	1	NEEDLE, HIGH SPEED			
17	+	125313-42030	1	SPRING, THRT. RETURN			
18	+	125317-13310	1	SHAFT, THROTTLE			
19	+	125327-13930	1	CLIP			
20	+	125372-42030	1	SWIVEL			
21	+	125326-42030	1	STRAINER			
22	+	125312-12820	1	DIAPHRAGM, FUEL PUMP			

6. Carburetor

No.6



KEY	LV	PART NUMBER	Q'TY	DESCRIPTION	REMARKS	NOTE1	NOTE2
23	+	125325-13310	1	GASKET, PUMP			
24	+	125383-13310	1	BASE, PRIMER		Sus. by P005-000590	
24	+	P005-000590	1	BASE, ASY PRIMER			
26	+	125381-08660	1	PUMP, PRIMING			
27	+	125363-11610	1	RING			
28	+	125310-11610	2	SCREW			
29	+	125334-06960	1	SCREW, THROTTLE ADJUST			
30	+	125333-06960	1	SPRING, IDLE ADJUSTER			
31	+	125376-13120	1	NOZZLE, CHECK VALVE			
35	+	125345-13310	1	PLUG, WELCH			
36	+	125306-13120	1	PUMP KIT, ACC.			
		125303-13310	1	DIAPHRAGM/GASKET KIT			
		125300-13310	1	REBUILD KIT			

7. Repair Kit

KEY	LV	PART NUMBER	Q'TY	DESCRIPTION	REMARKS	NOTE1	NOTE2
		125303-13310	1	DIAPHRAGM/GASKET KIT			
6-3	+	125341-49030	1	DIAPHRAGM			
6-4	+	125340-51030	1	GASKET, DIAPHRAGM			
6-22	+	125312-12820	1	DIAPHRAGM, FUEL PUMP			
6-23	+	125325-13310	1	GASKET, PUMP			
		125300-13310	1	REBUILD KIT			
6-3	+	125341-49030	1	DIAPHRAGM			
6-4	+	125340-51030	1	GASKET, DIAPHRAGM			
6-6	+	125338-13930	1	PIN, METERING ARM			
6-7	+	125323-42030	1	LEVER, METERING			
6-8	+	125322-42030	1	SPRING, COIL			
6-9	+	125337-06960	1	VALVE, INLET NEEDLE			
6-11	+	125345-15130	1	PLUG, WELCH			
6-21	+	125326-42030	1	STRAINER			
6-22	+	125312-12820	1	DIAPHRAGM, FUEL PUMP			
6-23	+	125325-13310	1	GASKET, PUMP			

Index

Patrs Number	Key No.	Patrs Number	Key No.	Patrs Number	Key No.
100012-51230	1 - 4	125337-06960	6 - 9	159012-03433	2 - 10
100013-11520	1 - 10	125337-06960	7 - 6-9	159017-10230	2 - 12
100014-11520	1 - 12	125338-13930	6 - 6	159912-54130	1 - 22
100015-04630	1 - 11	125338-13930	7 - 6-6	162010-52830	2 - 16
100204-52130	1 - 14	125339-42030	6 - 5	163400-49230	5 - 47
100204-52131	1 - 14	125340-51030	6 - 4	163401-55631	5 - 47
100204-52132	1 - 14	125340-51030	7 - 6-4	175000-56830	2 - 6
100212-42030	1 - 13	125340-51030	7 - 6-4	175005-48931	1 - 33
100212-42031	1 - 13	125341-49030	6 - 3	177200-54130	2 - 26
100215-03930	1 - 15	125341-49030	7 - 6-3	177202-44330	2 - 20
100242-42030	1 - 18	125341-49030	7 - 6-3	177202-44331	2 - 20
100251-56630	5 - 26	125342-13210	6 - 2	177215-44430	2 - 29
101010-44332	1 - 7	125344-52130	6 - 1	177218-44330	2 - 24
101503-52131	1 - 25	125345-13310	6 - 35	177220-42030	2 - 33
101514-48930	1 - 23	125345-15130	6 - 11	177226-10120	2 - 30
125200-13312	3 - 10	125345-15130	7 - 6-11	177227-42030	2 - 31
125200-13312	6 -	125363-11610	6 - 27	177228-06530	2 - 32
125200-13313	3 - 10	125372-42030	6 - 20	177234-12220	2 - 23
125200-13313	6 -	125376-13120	6 - 31	177234-42030	2 - 23
125200-13314	3 - 10	125381-08660	6 - 26	177236-44330	2 - 27
125200-13314	6 -	125383-13310	6 - 24	178001-56730	5 - 6
125300-13310	6 -	129011-52730	3 - 16	178003-52130	5 - 39
125300-13310	7 -	130010-42032	3 - 5	178010-52130	5 - 43
125303-13310	6 -	130016-42031	3 - 9	178012-52730	5 - 49
125303-13310	7 -	130016-42031	3 - 9	178013-52630	5 - 51
125306-13120	6 - 36	130017-42031	3 - 7	178043-42230	5 - 42
125310-11610	6 - 28	130307-06561	3 - 14	178090-52630	5 - 50
125312-12820	6 - 22	130310-54130	3 - 18	178090-52631	5 - 50
125312-12820	7 - 6-22	130313-06563	3 - 19	178090-52632	5 - 50
125312-12820	7 - 6-22	131004-08960	4 - 16	178127-50330	5 - 5
125313-42030	6 - 17	131005-46830	4 - 15	178302-56630	5 - 10
125314-13930	6 - 13	131005-46831	4 - 15	210417-52730	3 - 20
125316-49030	6 - 12	131016-55830	4 - 17	301200-29430	5 - 45
125317-13310	6 - 18	131051-52430	4 - 18	351205-66230	5 - 30
125318-13120	6 - 15	131205-07320	4 - 10	351213-52130	5 - 38
125320-13310	6 - 16	131300-56430	4 - 5	351216-66230	5 - 29
125322-42030	6 - 8	131312-39130	4 - 7	351225-07130	5 - 34
125322-42030	7 - 6-8	131312-39130	4 - 11	352325-27630	5 - 21
125323-42030	6 - 7	132010-56330	4 - 6	610013-55630	5 - 25
125323-42030	7 - 6-7	132013-09820	4 - 9	610206-56730	5 - 22
125325-13310	6 - 23	132115-46730	4 - 8	610217-56730	5 - 24
125325-13310	7 - 6-23	145510-42031	3 - 22	610246-44730	5 - 23
125325-13310	7 - 6-23	145631-42030	3 - 28	610272-52130	5 - 35
125326-42030	6 - 21	145871-44331	3 - 28	610281-54130	5 - 53
125326-42030	7 - 6-21	145876-42030	3 - 25	610601-56731	5 - 9
125327-13930	6 - 19	156112-40630	2 - 13	610601-56732	5 - 9
125327-15130	6 - 10	156626-52730	2 - 9	610903-55230	1 - 39
125333-06960	6 - 30	156801-09660	2 - 7	610910-55230	1 - 37
125334-06960	6 - 29	159011-03432	2 - 11	610922-27432	1 - 41

Index

Patrs Number	Key No.	Patrs Number	Key No.	Patrs Number	Key No.
610923-55230	1 - 40	94035-36201	1 - 16		
889950-21060	5 - 33	A011-000000	1 - 17		
890112-66030	1 - 24	A011-000001	1 - 17		
890118-49130	2 - 36	A011-000002	1 - 17		
890121-05360	3 - 21	A101-000000	1 - 9		
890152-04930	5 - 27	A130-000011	1 - 5		
890157-39130	5 - 52	A130-000021	1 - 5		
890617-07660	5 - 48	A313-000000	3 - 26		
899580-68730	5 - 4	A320-000250	3 - 28		
900100-05035	5 - 14	A320-000251	3 - 28		
900105-05055	3 - 36	A356-000030	4 - 5		
900142-05025	1 - 42	P005-000590	6 - 24		
900142-05030	5 - 18	P021-000020	5 - 28		
900162-04022	2 - 8	P021-000021	5 - 28		
900162-05022	1 - 6	P021-001101	1 - 8		
900162-05028	1 - 19	P021-001102	1 - 8		
900162-05028	5 - 18	P021-001380	3 - 30		
900162-05040	5 - 14	P021-001382	3 - 30		
900163-04016	1 - 20	P021-001383	3 - 30		
900163-04016	1 - 26	P021-001384	3 - 30		
900163-04016	2 - 35	P021-002921	3 - 14		
900238-04010	3 - 35	V103-000111	3 - 9		
900238-05016	1 - 21	V104-000001	3 - 24		
900238-05016	4 - 12	V104-000002	3 - 24		
900238-05020	3 - 8	V104-000003	3 - 24		
900242-05012	5 - 15	V104-000160	3 - 22		
900242-05014	5 - 46	V137-000030	4 - 8		
900242-05025	5 - 40	V299-000100	5 - 21		
900242-05028	5 - 37	V471-001200	4 - 7		
900242-05035	5 - 31	V471-001200	4 - 11		
900242-05035	5 - 41	V553-000010	1 - 4		
900242-05065	3 - 17	X690-000030	5 - 4		
900253-04025	5 - 54				
900253-05020	5 - 33				
900500-00005	3 - 6				
900500-00005	5 - 16				
900500-00005	5 - 44				
900500-00005	5 - 36				
900500-00005	5 - 36				
900502-00006	5 - 7				
900600-00005	3 - 37				
900600-00005	5 - 19				
900600-00005	5 - 32				
900603-00005	4 - 14				
900605-00005	5 - 20				
900701-00012	1 - 36				
900702-00028	1 - 34				
900807-96001	1 - 35				
900810-36201	1 - 16				

YAMABIKO CORPORATION

7-2 SUEHIROCHO 1-CHOME, OHME, TOKYO 198-8760, JAPAN
PHONE: 81-428-32-6118. FAX: 81-428-32-6145.

ECHO®



2100
No.