



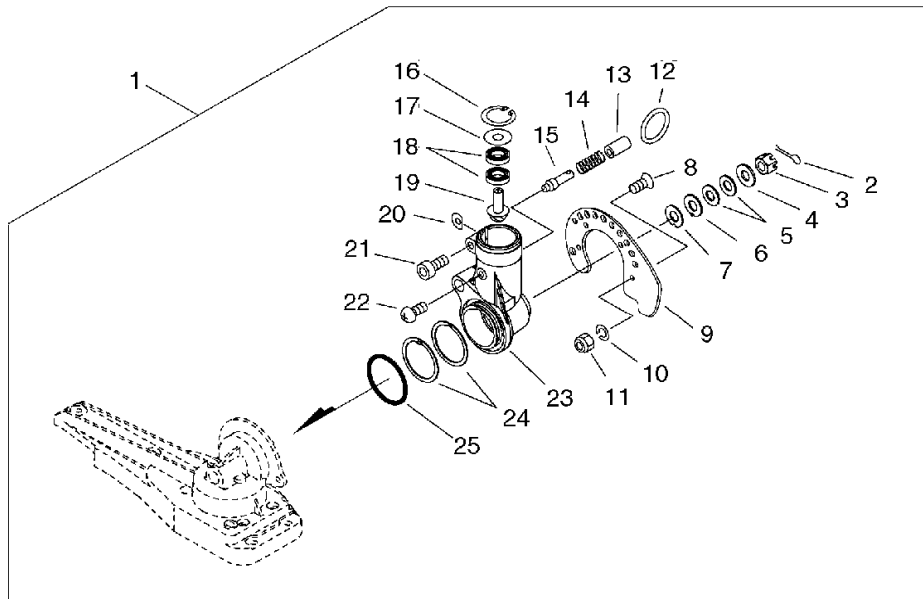
PARTS CATALOG

TRIMMER / BRUSHCUTTER ACCESSORY

HCAA-2400A_1A_3A_4A

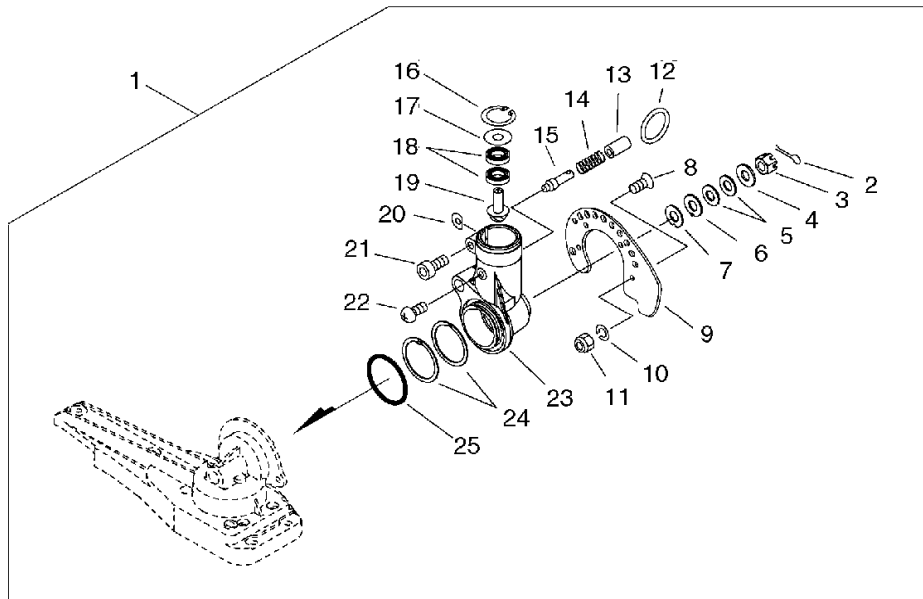
HCAA-2400A_1A_3A_4A

1. HCAA-2400A Gear Case Cutter



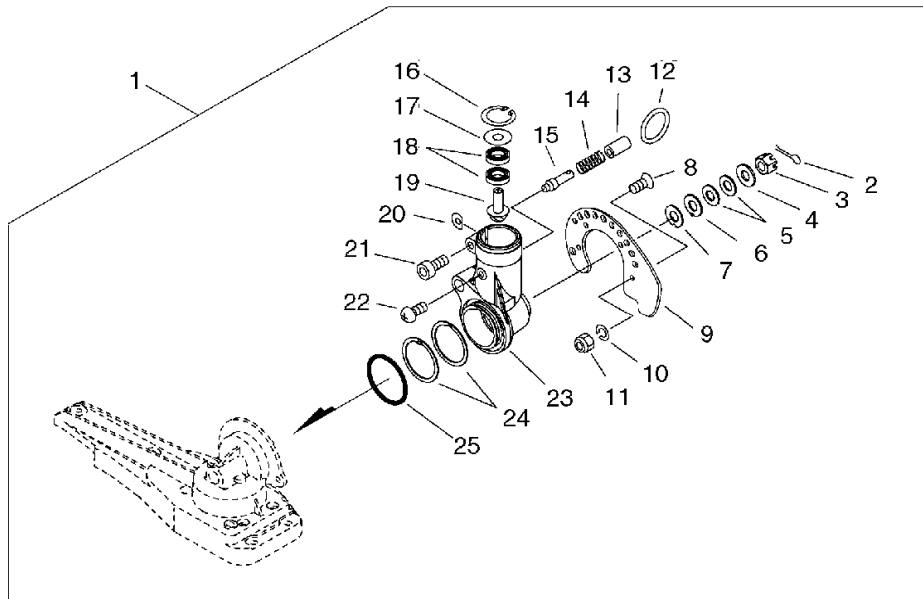
KEY	LV	PART NUMBER	Q'TY	DESCRIPTION	REMARKS	NOTE1	NOTE2
1		C051-000270	1	CASE,GEAR	ASS'Y SPLINE 6		
2	+	93000-16180	1	PIN SPLIT	P-1.6*18		
3	+	900529-00008	1	NUT, SLOTT 8			
4	+	V306-000140	1	WASHER,CIRCULAR 8			
5	+	V347-000010	2	WASHER,CONICAL			
6	+	V340-000110	1	WASHER			
7	+	V110-000040	1	GASKET,GEAR CASE	CIRCULAR 17MM OD		
8	+	900212-04012	2	SCREW 4*12	+SF4*12		
9	+	C465-000010	1	RESETTER, LATCH			
10	+	900605-00004	2	WASHER, SPRING 4	4		
11	+	900560-00004	2	LOCKNUT	4		
12	+	V583-000050	1	RING			
13	+	V355-000310	1	COLLAR,8			
14	+	V450-000420	1	SPRING,COMPRESSION			
15	+	V642-000020	1	PIN,LINCH			
16	+	900702-00022	1	CIRCLIP 22	CR-22		
17	+	V583-000060	1	RING			
18	+	900859-06900	2	BEARING, BALL 6900	6900		
19	+	V651-000330	1	GEAR,BEVEL	12TEETH SPLINE 6		
20	+	V340-000170	1	WASHER			
21	+	900162-05025	1	BOLT, H.S. 5*25	5*25 W,SW		
22	+	900242-05012	1	SCREW 5*12	5*12		
23	+	C531-000292	1	CASE,GEAR			

1. HCAA-2400A Gear Case Cutter



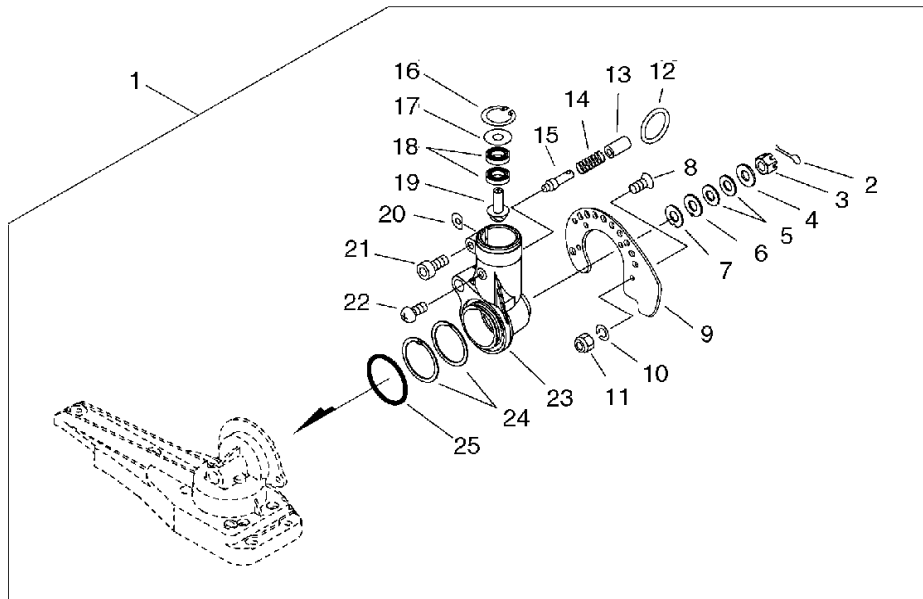
KEY	LV	PART NUMBER	Q'TY	DESCRIPTION	REMARKS	NOTE1	NOTE2
24	+	V340-000120	2	WASHER			
25	+	900724-00032	1	O-RING	S-32		
26	+	P021-016010	1	BEVEL GEAR SET			
19	++	V651-000330	1	GEAR,BEVEL	12TEETH SPLINE 6		
27	++	V651-000250	1	GEAR,BEVEL	25 TEETH		
28	++	V651-000260	1	GEAR,BEVEL	35 TEETH		
29	+	351305-12360	1	HANDLE			
30	++	351315-12360	1	GRIP, HANDLE	19*135		
31	+	900560-00005	2	NUT, LOCK 5	5		
32	+	900600-00005	2	WASHER 5	5		
33	+	900142-05028	2	BOLT 5*28 (W/W,SW)	5*28		
34	+	900105-05008	4	BOLT, H.S. 5*8	5*8		
35	+	C531-000302	1	CASE,GEAR	DRIVEN SIDE		
36	+	880110-10860	2	NIPPLE, GREASE			
37	+	900516-00005	2	NUT, FRANGE 5	5		
38	+	V541-000130	2	SEAL			
39	+	C534-000260	1	SHAFT,GEAR			
40	+	V307-000150	2	WASHER,CIRCULAR 10	10.2*15.5*T=1		
41	+	V555-000040	2	BEARING,NEEDLE 10			
42	+	900855-06900	1	BEARING, BALL 6900	6900		
43	+	V583-000040	1	RING			
44	+	900800-06001	1	BEARING, BALL 6001	6001		
45	+	C503-000072	1	HOLDER,BEARING	28 BEARING SEAT		

1. HCAA-2400A Gear Case Cutter



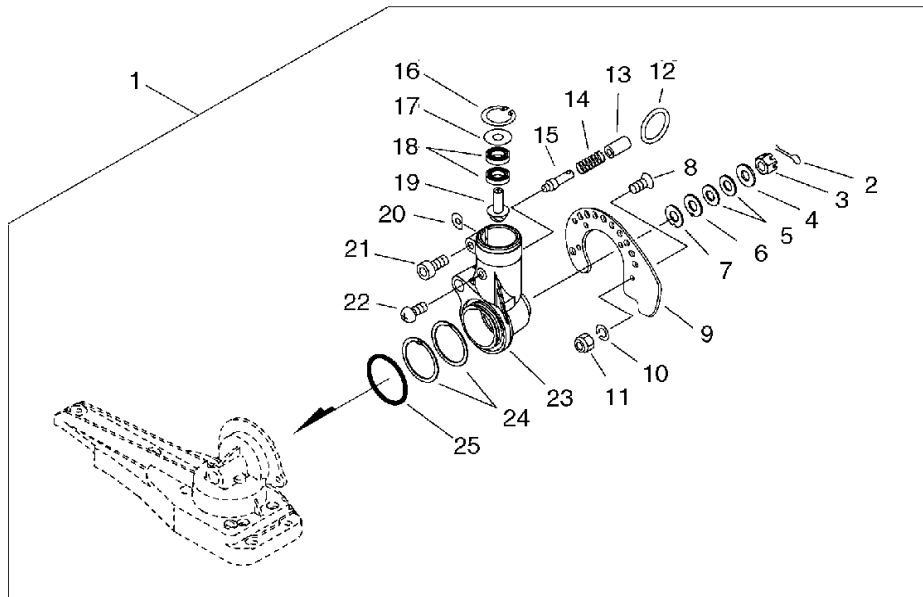
KEY	LV	PART NUMBER	Q'TY	DESCRIPTION	REMARKS	NOTE1	NOTE2
46	+	C532-000140	2	ROD, CONNECTING	YAMASAKI		
47	+	C533-000041	1	CAM	HCA		
48	+	V110-000051	1	GASKET, GEAR CASE	HCA GEARCASE LID		
49	+	C539-000010	1	LID, GEARCASE	HCA-260 G.C.		
50	+	900162-04014	6	BOLT, H.S. 4*14	4*14 W, SW		
51	+	433022-06460	4	NUT			
52	+	699118-04560	5	WASHER			
53	+	C538-000120	1	GUIDE, CUTTER			
54	+	900212-05020	2	SCREW 5*20	+SF5*20		
55	+	C538-000110	1	GUIDE, CUTTER			
56	+	C538-000100	1	GUIDE, CUTTER			
57	+	X495-000060	1	SCABBARD, BLADE	19.5		
58	+	X425-000220	1	SUPPORT, CUTTER	T=3.0		
59	+	X411-000350	2	CUTTER	L= 570		
60	+	699115-04660	3	BOLT 6	6*18L		
61	+	699115-07760	1	BOLT, CUTTER			

2. HCAA-2401A Gear Case Cutter



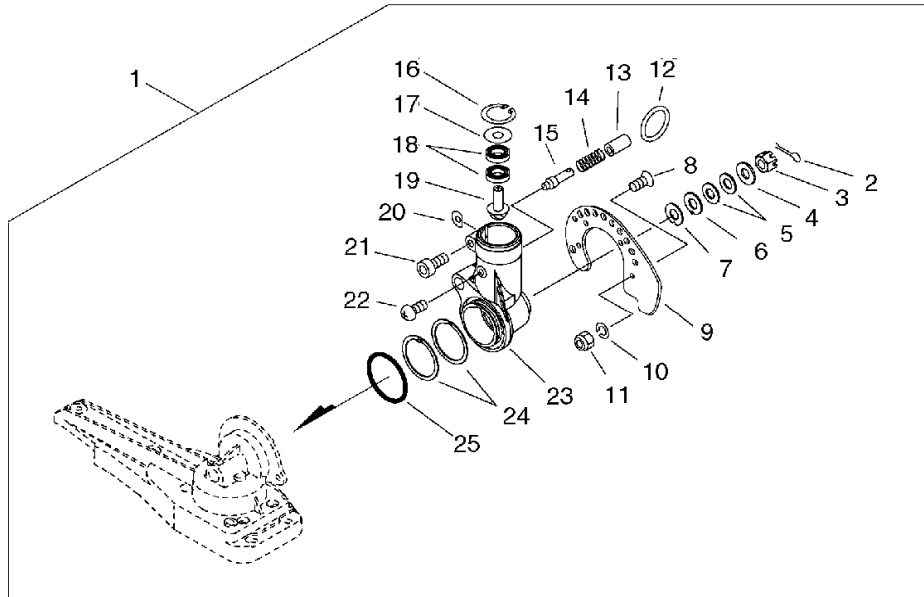
KEY	LV	PART NUMBER	Q'TY	DESCRIPTION	REMARKS	NOTE1	NOTE2
1		C051-000140	1	CASE, GEAR			
2	+	93000-16180	1	PIN SPLIT	P-1.6*18		
3	+	900529-00008	1	NUT, SLOTT 8			
4	+	V306-000140	1	WASHER, CIRCULAR 8			
5	+	V347-000010	2	WASHER, CONICAL			
6	+	V340-000110	1	WASHER			
7	+	V110-000040	1	GASKET, GEAR CASE	CIRCULAR 17MM OD		
8	+	900212-04012	2	SCREW 4*12	+SF4*12		
9	+	C465-000010	1	RESETTER, LATCH			
10	+	900605-00004	2	WASHER, SPRING 4	4		
11	+	900560-00004	2	LOCKNUT	4		
12	+	V583-000050	1	RING			
13	+	V355-000310	1	COLLAR, 8			
14	+	V450-000420	1	SPRING, COMPRESSION			
15	+	V642-000020	1	PIN, LINCH			
16	+	900702-00022	1	CIRCLIP 22	CR-22		
17	+	V583-000060	1	RING			
18	+	900859-06900	2	BEARING, BALL 6900	6900		
19	+	V651-000240	1	GEAR, BEVEL	12 TEETH		
20	+	V340-000170	1	WASHER			
21	+	900162-05025	1	BOLT, H.S. 5*25	5*25 W, SW		
22	+	900242-05012	1	SCREW 5*12	5*12		
23	+	C531-000292	1	CASE, GEAR			
24	+	V340-000120	2	WASHER			
25	+	900724-00032	1	O-RING	S-32		

2. HCAA-2401A Gear Case Cutter



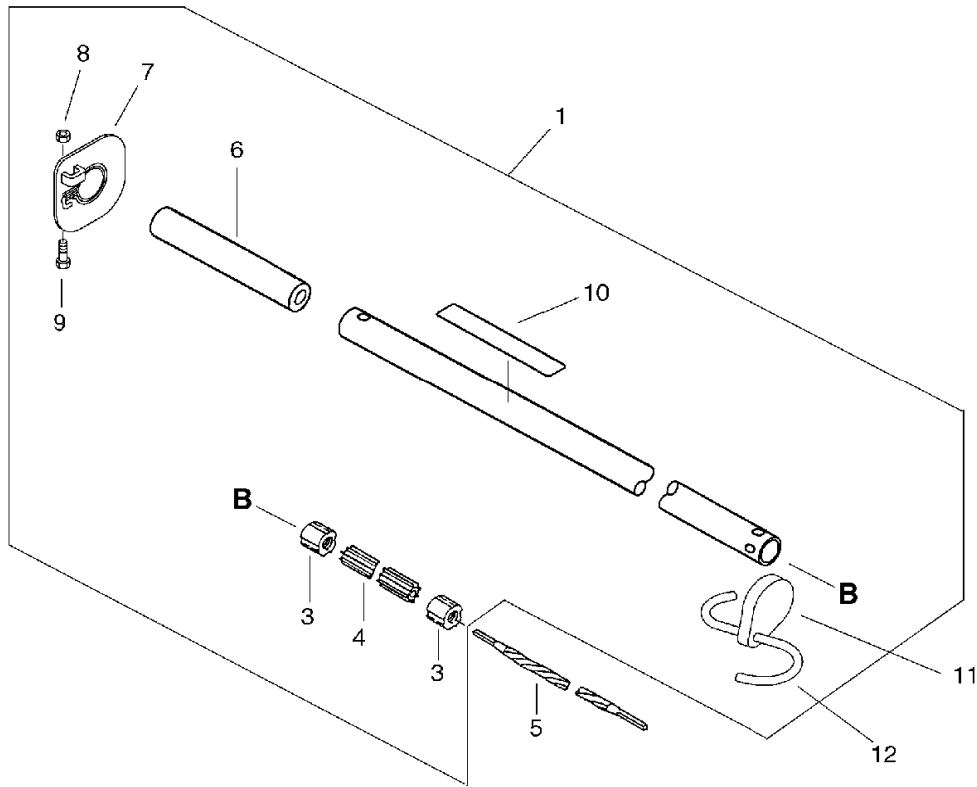
KEY	LV	PART NUMBER	Q'TY	DESCRIPTION	REMARKS	NOTE1	NOTE2
26	+	P021-010690	1	BEVEL GEAR SET			
19	++	V651-000240	1	GEAR,BEVEL	12 TEETH		
27	++	V651-000250	1	GEAR,BEVEL	25 TEETH		
28	++	V651-000260	1	GEAR,BEVEL	35 TEETH		
29	+	351305-12360	1	HANDLE			
30	++	351315-12360	1	GRIP, HANDLE	19*135		
31	+	900560-00005	2	NUT, LOCK 5	5		
32	+	900600-00005	2	WASHER 5	5		
33	+	900142-05028	2	BOLT 5*28 (W/W.SW)	5*28		
34	+	900105-05008	4	BOLT, H.S. 5*8	5*8		
35	+	C531-000302	1	CASE,GEAR	DRIVEN SIDE		
36	+	880110-10860	2	NIPPLE, GREASE			
37	+	900516-00005	2	NUT, FRANGE 5	5		
38	+	V541-000130	2	SEAL			
39	+	C534-000260	1	SHAFT,GEAR			
40	+	V307-000150	2	WASHER,CIRCULAR 10	10.2*15.5*T=1		
41	+	V555-000040	2	BEARING,NEEDLE 10			
42	+	900855-06900	1	BEARING, BALL 6900	6900		
43	+	V583-000040	1	RING			
44	+	900800-06001	1	BEARING, BALL 6001	6001		
45	+	C503-000072	1	HOLDER,BEARING	28 BEARING SEAT		
46	+	C532-000140	2	ROD, CONNECTING	YAMASAKI		
47	+	C533-000041	1	CAM	HCA		

2. HCAA-2401A Gear Case Cutter



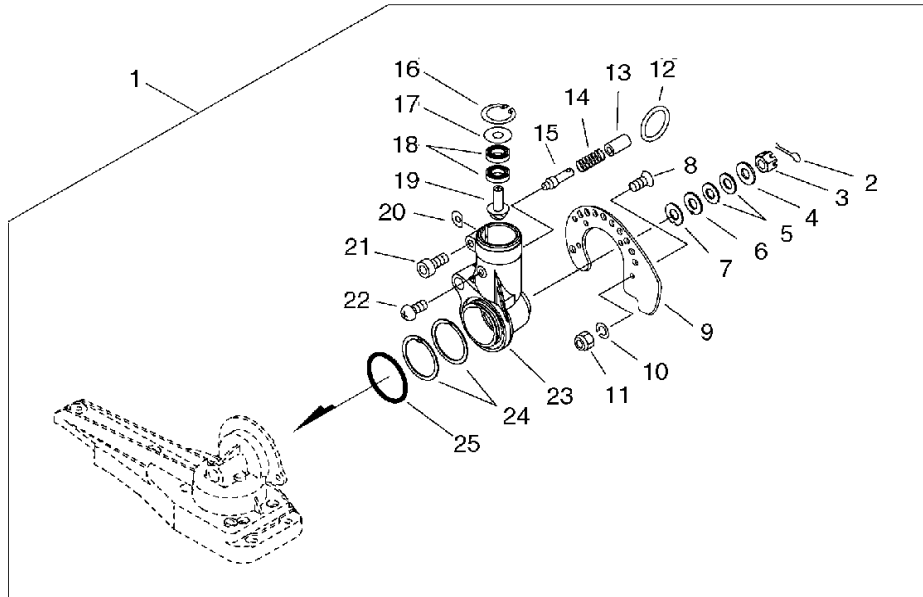
KEY	LV	PART NUMBER	Q'TY	DESCRIPTION	REMARKS	NOTE1	NOTE2
					HCA GEARCASE		
48	+	V110-000051	1	GASKET,GEAR CASE	LID		
49	+	C539-000010	1	LID,GEARCASE	HCA-260 G.C.		
50	+	900162-04014	6	BOLT, H.S. 4*14	4*14 W,SW		
51	+	433022-06460	4	NUT			
52	+	699118-04560	5	WASHER			
53	+	C538-000120	1	GUIDE,CUTTER			
54	+	900212-05020	2	SCREW 5*20	+SF5*20		
55	+	C538-000110	1	GUIDE,CUTTER			
56	+	C538-000100	1	GUIDE,CUTTER			
57	+	X495-000060	1	SCABBARD,BLADE	19.5		
58	+	X425-000220	1	SUPPORT,CUTTER	T=3.0		
59	+	X411-000350	2	CUTTER	L= 570		
60	+	699115-04660	3	BOLT 6	6*18L		
61	+	699115-07760	1	BOLT, CUTTER			

3. HCAA-2401A Main Pipe



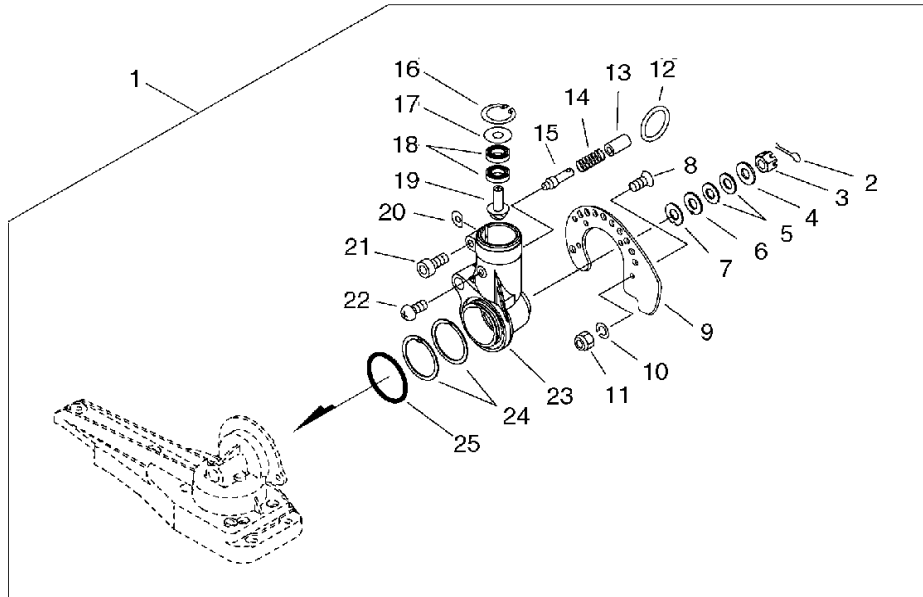
KEY	LV	PART NUMBER	Q'TY	DESCRIPTION	REMARKS	NOTE1	NOTE2
1		C050-000860	1	PIPE, MAIN	25*T1.5*803		
3	+	610246-44730	2	STOPPER			
4	+	C507-000100	1	LINER,FLEXIBLE			
6	+	C403-000100	1	GRIP,HANDLE			
7	+	C440-000020	1	GUARD,HAND			
8	+	900500-00005	1	NUT 5	5		
9	+	900142-05020	1	BOLT 5*20 (W/W,SW)	5*20		
10	+	890617-12361	1	LABEL, CAUTION			
5		C506-000071	1	SHAFT,FLEXIBLE			
11		C525-000010	1	CAP,MAIN PIPE	25MM PIPE		
12		C649-000120	1	HOOK			

4. HCAA-2403A Gear Case Cutter



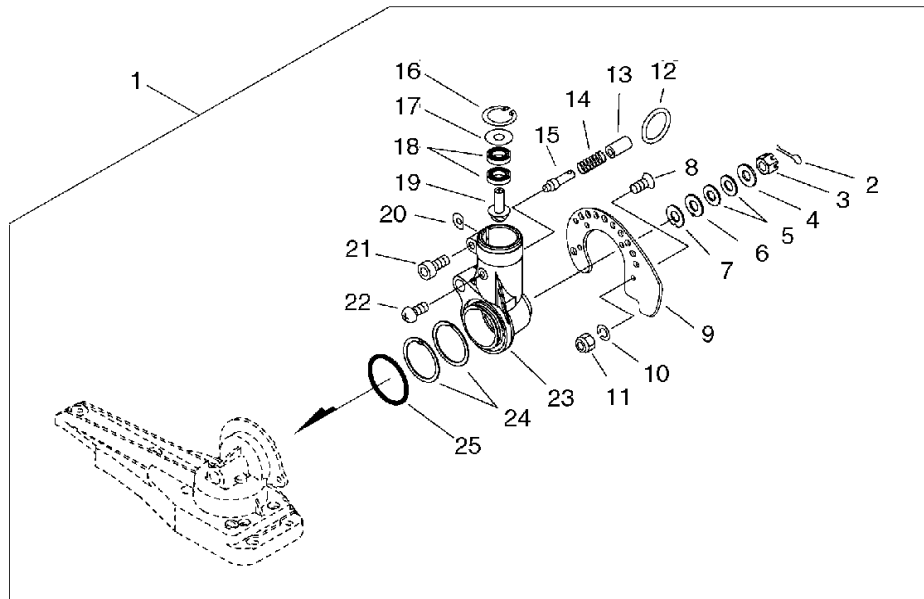
KEY	LV	PART NUMBER	Q'TY	DESCRIPTION	REMARKS	NOTE1	NOTE2
1		C051-000140	1	CASE, GEAR			
2	+	93000-16180	1	PIN SPLIT	P-1.6*18		
3	+	900529-00008	1	NUT, SLOTT 8			
4	+	V306-000140	1	WASHER, CIRCULAR 8			
5	+	V347-000010	2	WASHER, CONICAL			
6	+	V340-000110	1	WASHER			
7	+	V110-000040	1	GASKET, GEAR CASE	CIRCULAR 17MM OD		
8	+	900212-04012	2	SCREW 4*12	+SF4*12		
9	+	C465-000010	1	RESETTER, LATCH			
10	+	900605-00004	2	WASHER, SPRING 4	4		
11	+	900560-00004	2	LOCKNUT	4		
12	+	V583-000050	1	RING			
13	+	V355-000310	1	COLLAR, 8			
14	+	V450-000420	1	SPRING, COMPRESSION			
15	+	V642-000020	1	PIN, LINCH			
16	+	900702-00022	1	CIRCLIP 22	CR-22		
17	+	V583-000060	1	RING			
18	+	900859-06900	2	BEARING, BALL 6900	6900		
19	+	V651-000240	1	GEAR, BEVEL	12 TEETH		
20	+	V340-000170	1	WASHER			
21	+	900162-05025	1	BOLT, H.S. 5*25	5*25 W, SW		
22	+	900242-05012	1	SCREW 5*12	5*12		
23	+	C531-000292	1	CASE, GEAR			
24	+	V340-000120	2	WASHER			
25	+	900724-00032	1	O-RING	S-32		

4. HCAA-2403A Gear Case Cutter



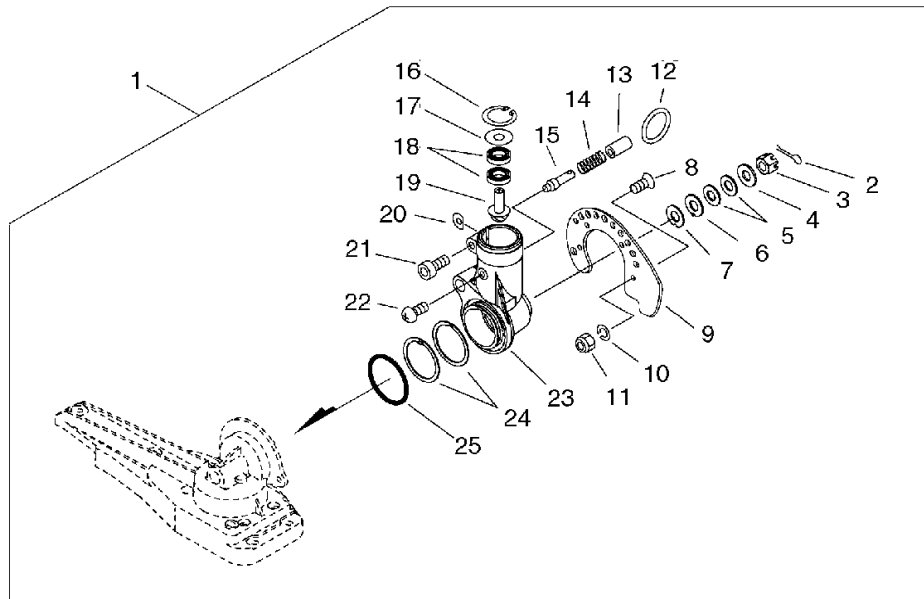
KEY	LV	PART NUMBER	Q'TY	DESCRIPTION	REMARKS	NOTE1	NOTE2
26	+	P021-010690	1	BEVEL GEAR SET			
19	++	V651-000240	1	GEAR,BEVEL	12 TEETH		
27	++	V651-000250	1	GEAR,BEVEL	25 TEETH		
28	++	V651-000260	1	GEAR,BEVEL	35 TEETH		
29	+	351305-12360	1	HANDLE			
30	++	351315-12360	1	GRIP, HANDLE	19*135		
31	+	900560-00005	2	NUT, LOCK 5	5		
32	+	900600-00005	2	WASHER 5	5		
33	+	900142-05028	2	BOLT 5*28 (W/W.SW)	5*28		
34	+	900105-05008	4	BOLT, H.S. 5*8	5*8		
35	+	C531-000302	1	CASE,GEAR	DRIVEN SIDE		
36	+	880110-10860	2	NIPPLE, GREASE			
37	+	900516-00005	2	NUT, FRANGE 5	5		
38	+	V541-000130	2	SEAL			
39	+	C534-000260	1	SHAFT,GEAR			
40	+	V307-000150	2	WASHER,CIRCULAR 10	10.2*15.5*T=1		
41	+	V555-000040	2	BEARING,NEEDLE 10			
42	+	900855-06900	1	BEARING, BALL 6900	6900		
43	+	V583-000040	1	RING			
44	+	900800-06001	1	BEARING, BALL 6001	6001		
45	+	C503-000072	1	HOLDER,BEARING	28 BEARING SEAT		
46	+	C532-000140	2	ROD, CONNECTING	YAMASAKI		
47	+	C533-000041	1	CAM	HCA		

4. HCAA-2403A Gear Case Cutter



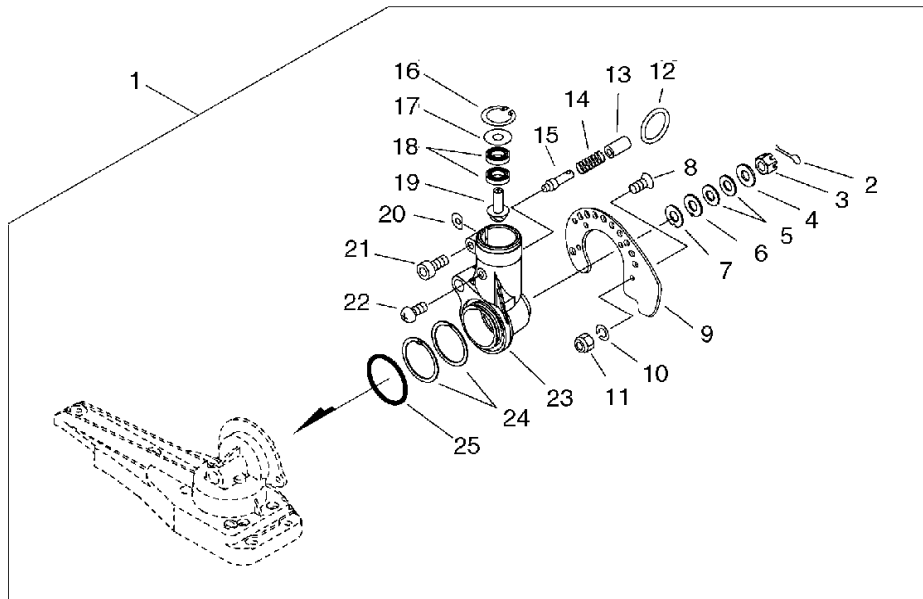
KEY	LV	PART NUMBER	Q'TY	DESCRIPTION	REMARKS	NOTE1	NOTE2
					HCA GEARCASE		
48	+	V110-000051	1	GASKET,GEAR CASE	LID		
49	+	C539-000010	1	LID,GEARCASE	HCA-260 G.C.		
50	+	900162-04014	6	BOLT, H.S. 4*14	4*14 W,SW		
51	+	433022-06460	4	NUT			
52	+	699118-04560	5	WASHER			
53	+	C538-000120	1	GUIDE,CUTTER			
54	+	900212-05020	2	SCREW 5*20	+SF5*20		
55	+	C538-000110	1	GUIDE,CUTTER			
56	+	C538-000100	1	GUIDE,CUTTER			
57	+	X495-000060	1	SCABBARD,BLADE	19.5		
58	+	X425-000220	1	SUPPORT,CUTTER	T=3.0		
59	+	X411-000350	2	CUTTER	L= 570		
60	+	699115-04660	3	BOLT 6	6*18L		
61	+	699115-07760	1	BOLT, CUTTER			

5. HCAA-2400A Gear Case Cutter



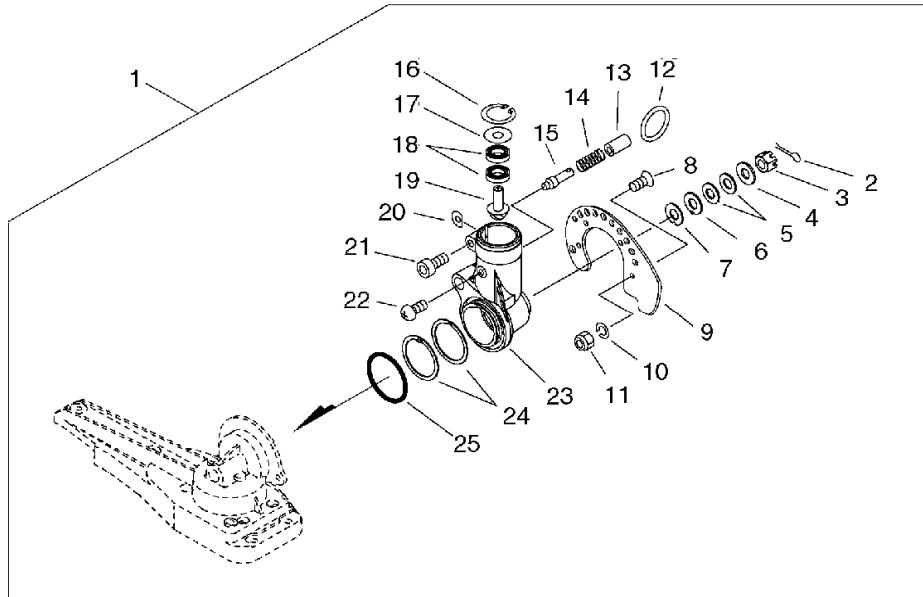
KEY	LV	PART NUMBER	Q'TY	DESCRIPTION	REMARKS	NOTE1	NOTE2
1		C051-000280	1	CASE,GEAR	ASS'Y SPLINE 7		
2	+	93000-16180	1	PIN SPLIT	P-1.6*18		
3	+	900529-00008	1	NUT, SLOTT 8			
4	+	V306-000140	1	WASHER,CIRCULAR 8			
5	+	V347-000010	2	WASHER,CONICAL			
6	+	V340-000110	1	WASHER			
7	+	V110-000040	1	GASKET,GEAR CASE	CIRCULAR 17MM OD		
8	+	900212-04012	2	SCREW 4*12	+SF4*12		
9	+	C465-000010	1	RESETTER, LATCH			
10	+	900605-00004	2	WASHER, SPRING 4	4		
11	+	900560-00004	2	LOCKNUT	4		
12	+	V583-000050	1	RING			
13	+	V355-000310	1	COLLAR,8			
14	+	V450-000420	1	SPRING,COMPRESSION			
15	+	V642-000020	1	PIN,LINCH			
16	+	900702-00022	1	CIRCLIP 22	CR-22		
17	+	V583-000060	1	RING			
18	+	900859-06900	2	BEARING, BALL 6900	6900		
19	+	V651-000340	1	GEAR,BEVEL	12TEETH SPLINE 7		
20	+	V340-000170	1	WASHER			
21	+	900162-05025	1	BOLT, H.S. 5*25	5*25 W,SW		
22	+	900242-05012	1	SCREW 5*12	5*12		
23	+	C531-000292	1	CASE,GEAR			

5. HCAA-2400A Gear Case Cutter



KEY	LV	PART NUMBER	Q'TY	DESCRIPTION	REMARKS	NOTE1	NOTE2
24	+	V340-000120	2	WASHER			
25	+	900724-00032	1	O-RING	S-32		
26	+	P021-016000	1	BEVEL GEAR SET			
19	++	V651-000340	1	GEAR,BEVEL	12TEETH SPLINE 7		
27	++	V651-000250	1	GEAR,BEVEL	25 TEETH		
28	++	V651-000260	1	GEAR,BEVEL	35 TEETH		
29	+	351305-12360	1	HANDLE			
30	++	351315-12360	1	GRIP, HANDLE	19*135		
31	+	900560-00005	2	NUT, LOCK 5	5		
32	+	900600-00005	2	WASHER 5	5		
33	+	900142-05028	2	BOLT 5*28 (W/W,SW)	5*28		
34	+	900105-05008	4	BOLT, H.S. 5*8	5*8		
35	+	C531-000302	1	CASE,GEAR	DRIVEN SIDE		
36	+	880110-10860	2	NIPPLE, GREASE			
37	+	900516-00005	2	NUT, FRANGE 5	5		
38	+	V541-000130	2	SEAL			
39	+	C534-000260	1	SHAFT,GEAR			
40	+	V307-000150	2	WASHER,CIRCULAR 10	10.2*15.5*T=1		
41	+	V555-000040	2	BEARING,NEEDLE 10			
42	+	900855-06900	1	BEARING, BALL 6900	6900		
43	+	V583-000040	1	RING			
44	+	900800-06001	1	BEARING, BALL 6001	6001		
45	+	C503-000072	1	HOLDER,BEARING	28 BEARING SEAT		

5. HCAA-2404A Gear Case Cutter



KEY	LV	PART NUMBER	Q'TY	DESCRIPTION	REMARKS	NOTE1	NOTE2
46	+	C532-000140	2	ROD, CONNECTING	YAMASAKI		
47	+	C533-000041	1	CAM	HCA		
48	+	V110-000051	1	GASKET, GEAR CASE	HCA GEARCASE LID		
49	+	C539-000010	1	LID, GEARCASE	HCA-260 G.C.		
50	+	900162-04014	6	BOLT, H.S. 4*14	4*14 W,SW		
51	+	433022-06460	4	NUT			
52	+	699118-04560	5	WASHER			
53	+	C538-000120	1	GUIDE, CUTTER			
54	+	900212-05020	2	SCREW 5*20	+SF5*20		
55	+	C538-000110	1	GUIDE, CUTTER			
56	+	C538-000100	1	GUIDE, CUTTER			
57	+	X495-000060	1	SCABBARD, BLADE	19.5		
58	+	X425-000220	1	SUPPORT, CUTTER	T=3.0		
59	+	X411-000350	2	CUTTER	L= 570		
60	+	699115-04660	3	BOLT 6	6*18L		
61	+	699115-07760	1	BOLT, CUTTER			

Index

Patrs Number	Key No.	Patrs Number	Key No.	Patrs Number	Key No.
351305-12360	1 - 29	900212-04012	4 - 8	900855-06900	4 - 42
351305-12360	2 - 29	900212-04012	5 - 8	900855-06900	5 - 42
351305-12360	4 - 29	900212-05020	1 - 54	900859-06900	1 - 18
351305-12360	5 - 29	900212-05020	2 - 54	900859-06900	2 - 18
351315-12360	1 - 30	900212-05020	4 - 54	900859-06900	4 - 18
351315-12360	2 - 30	900212-05020	5 - 54	900859-06900	5 - 18
351315-12360	4 - 30	900242-05012	1 - 22	93000-16180	1 - 2
351315-12360	5 - 30	900242-05012	2 - 22	93000-16180	2 - 2
433022-06460	1 - 51	900242-05012	4 - 22	93000-16180	4 - 2
433022-06460	2 - 51	900242-05012	5 - 22	93000-16180	5 - 2
433022-06460	4 - 51	900500-00005	3 - 8	C050-000860	3 - 1
433022-06460	5 - 51	900516-00005	1 - 37	C051-000140	2 - 1
610246-44730	3 - 3	900516-00005	2 - 37	C051-000140	4 - 1
699115-04660	1 - 60	900516-00005	4 - 37	C051-000270	1 - 1
699115-04660	2 - 60	900516-00005	5 - 37	C051-000280	5 - 1
699115-04660	4 - 60	900529-00008	1 - 3	C403-000100	3 - 6
699115-04660	5 - 60	900529-00008	2 - 3	C440-000020	3 - 7
699115-07760	1 - 61	900529-00008	4 - 3	C465-000010	1 - 9
699115-07760	2 - 61	900529-00008	5 - 3	C465-000010	2 - 9
699115-07760	4 - 61	900560-00004	1 - 11	C465-000010	4 - 9
699115-07760	5 - 61	900560-00004	2 - 11	C465-000010	5 - 9
699118-04560	1 - 52	900560-00004	4 - 11	C503-000072	1 - 45
699118-04560	2 - 52	900560-00004	5 - 11	C503-000072	2 - 45
699118-04560	4 - 52	900560-00005	1 - 31	C503-000072	4 - 45
699118-04560	5 - 52	900560-00005	2 - 31	C503-000072	5 - 45
880110-10860	1 - 36	900560-00005	4 - 31	C506-000071	3 - 5
880110-10860	2 - 36	900560-00005	5 - 31	C507-000100	3 - 4
880110-10860	4 - 36	900600-00005	1 - 32	C525-000010	3 - 11
880110-10860	5 - 36	900600-00005	2 - 32	C531-000292	1 - 23
890617-12361	3 - 10	900600-00005	4 - 32	C531-000292	2 - 23
900105-05008	1 - 34	900600-00005	5 - 32	C531-000292	4 - 23
900105-05008	2 - 34	900605-00004	1 - 10	C531-000292	5 - 23
900105-05008	4 - 34	900605-00004	2 - 10	C531-000302	1 - 35
900105-05008	5 - 34	900605-00004	4 - 10	C531-000302	2 - 35
900142-05020	3 - 9	900605-00004	5 - 10	C531-000302	4 - 35
900142-05028	1 - 33	900702-00022	1 - 16	C531-000302	5 - 35
900142-05028	2 - 33	900702-00022	2 - 16	C532-000140	1 - 46
900142-05028	4 - 33	900702-00022	4 - 16	C532-000140	2 - 46
900142-05028	5 - 33	900702-00022	5 - 16	C532-000140	4 - 46
900162-04014	1 - 50	900724-00032	1 - 25	C532-000140	5 - 46
900162-04014	2 - 50	900724-00032	2 - 25	C533-000041	1 - 47
900162-04014	4 - 50	900724-00032	4 - 25	C533-000041	2 - 47
900162-04014	5 - 50	900724-00032	5 - 25	C533-000041	4 - 47
900162-05025	1 - 21	900800-06001	1 - 44	C533-000041	5 - 47
900162-05025	2 - 21	900800-06001	2 - 44	C534-000260	1 - 39
900162-05025	4 - 21	900800-06001	4 - 44	C534-000260	2 - 39
900162-05025	5 - 21	900800-06001	5 - 44	C534-000260	4 - 39
900212-04012	1 - 8	900855-06900	1 - 42	C534-000260	5 - 39
900212-04012	2 - 8	900855-06900	2 - 42	C538-000100	1 - 56

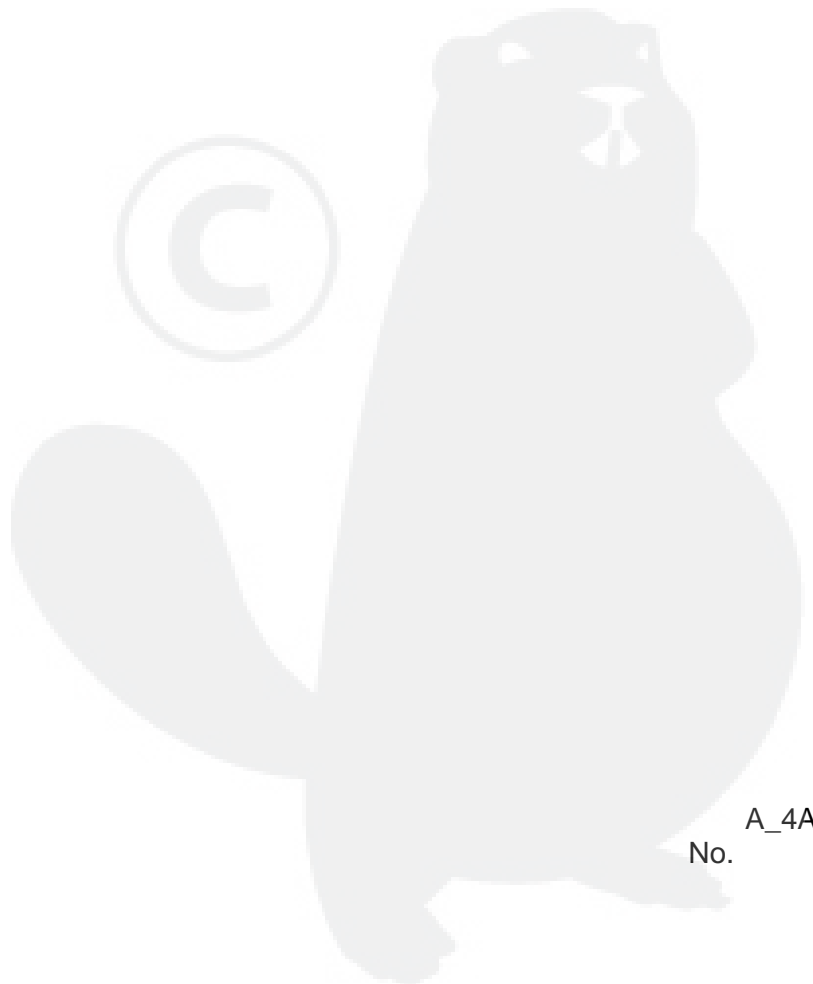
Index

Patrs Number	Key No.	Patrs Number	Key No.	Patrs Number	Key No.
C538-000100	2 - 56	V347-000010	2 - 5	V651-000340	5 - 19
C538-000100	4 - 56	V347-000010	4 - 5	V651-000340	5 - 19
C538-000100	5 - 56	V347-000010	5 - 5	X411-000350	1 - 59
C538-000110	1 - 55	V355-000310	1 - 13	X411-000350	2 - 59
C538-000110	2 - 55	V355-000310	2 - 13	X411-000350	4 - 59
C538-000110	4 - 55	V355-000310	4 - 13	X411-000350	5 - 59
C538-000110	5 - 55	V355-000310	5 - 13	X425-000220	1 - 58
C538-000120	1 - 53	V450-000420	1 - 14	X425-000220	2 - 58
C538-000120	2 - 53	V450-000420	2 - 14	X425-000220	4 - 58
C538-000120	4 - 53	V450-000420	4 - 14	X425-000220	5 - 58
C538-000120	5 - 53	V450-000420	5 - 14	X495-000060	1 - 57
C539-000010	1 - 49	V541-000130	1 - 38	X495-000060	2 - 57
C539-000010	2 - 49	V541-000130	2 - 38	X495-000060	4 - 57
C539-000010	4 - 49	V541-000130	4 - 38	X495-000060	5 - 57
C539-000010	5 - 49	V541-000130	5 - 38		
C649-000120	3 - 12	V555-000040	1 - 41		
P021-010690	2 - 26	V555-000040	2 - 41		
P021-010690	4 - 26	V555-000040	4 - 41		
P021-016000	5 - 26	V555-000040	5 - 41		
P021-016010	1 - 26	V583-000040	1 - 43		
V110-000040	1 - 7	V583-000040	2 - 43		
V110-000040	2 - 7	V583-000040	4 - 43		
V110-000040	4 - 7	V583-000040	5 - 43		
V110-000040	5 - 7	V583-000050	1 - 12		
V110-000051	1 - 48	V583-000050	2 - 12		
V110-000051	2 - 48	V583-000050	4 - 12		
V110-000051	4 - 48	V583-000050	5 - 12		
V110-000051	5 - 48	V583-000060	1 - 17		
V306-000140	1 - 4	V583-000060	2 - 17		
V306-000140	2 - 4	V583-000060	4 - 17		
V306-000140	4 - 4	V583-000060	5 - 17		
V306-000140	5 - 4	V642-000020	1 - 15		
V307-000150	1 - 40	V642-000020	2 - 15		
V307-000150	2 - 40	V642-000020	4 - 15		
V307-000150	4 - 40	V642-000020	5 - 15		
V307-000150	5 - 40	V651-000240	2 - 19		
V340-000110	1 - 6	V651-000240	2 - 19		
V340-000110	2 - 6	V651-000240	4 - 19		
V340-000110	4 - 6	V651-000240	4 - 19		
V340-000110	5 - 6	V651-000250	1 - 27		
V340-000120	1 - 24	V651-000250	2 - 27		
V340-000120	2 - 24	V651-000250	4 - 27		
V340-000120	4 - 24	V651-000250	5 - 27		
V340-000120	5 - 24	V651-000260	1 - 28		
V340-000170	1 - 20	V651-000260	2 - 28		
V340-000170	2 - 20	V651-000260	4 - 28		
V340-000170	4 - 20	V651-000260	5 - 28		
V340-000170	5 - 20	V651-000330	1 - 19		
V347-000010	1 - 5	V651-000330	1 - 19		

YAMABIKO CORPORATION

7-2 SUEHIROCHO 1-CHOME, OHME, TOKYO 198-8760, JAPAN
PHONE: 81-428-32-6118. FAX: 81-428-32-6145.

ECHO®



A_4A
No.