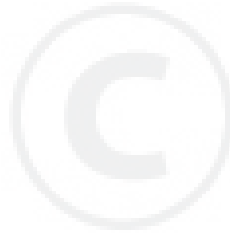




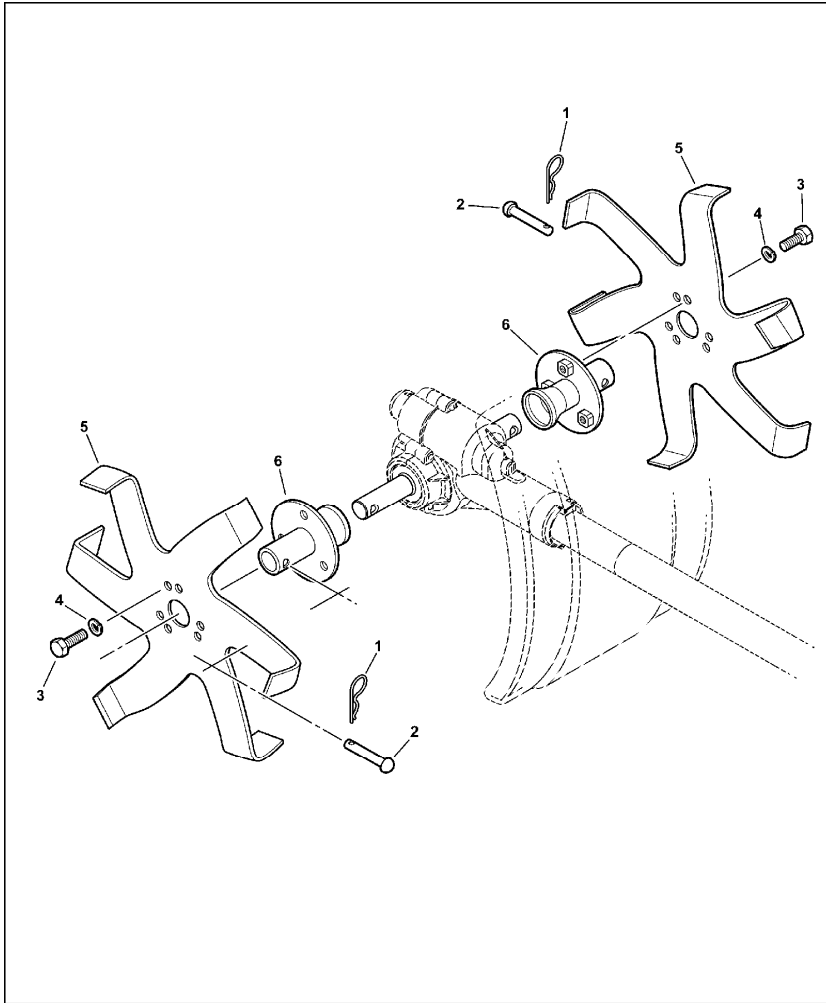
# **PARTS CATALOG**

## **PAS ATTACHMENT PAS-TIL/CULT(999442-00813)**



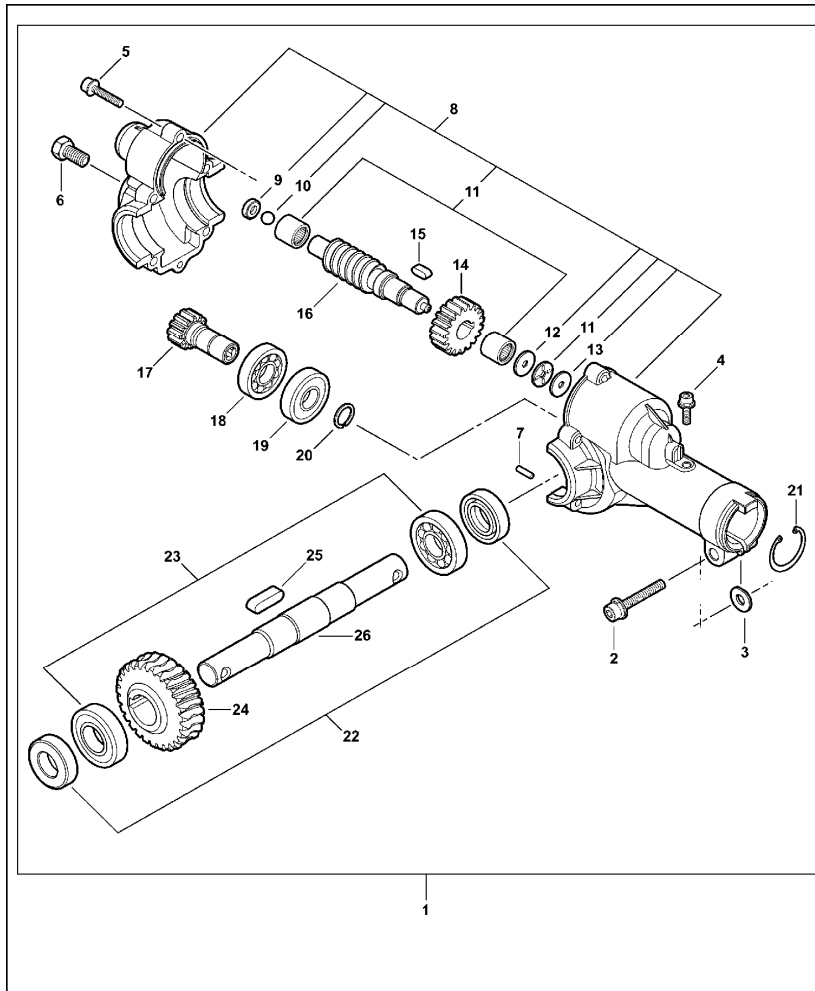
PAS-TIL\_CULT(99442-00813)

# 1. Main Pipe Assembly, Flexible Driveshaft



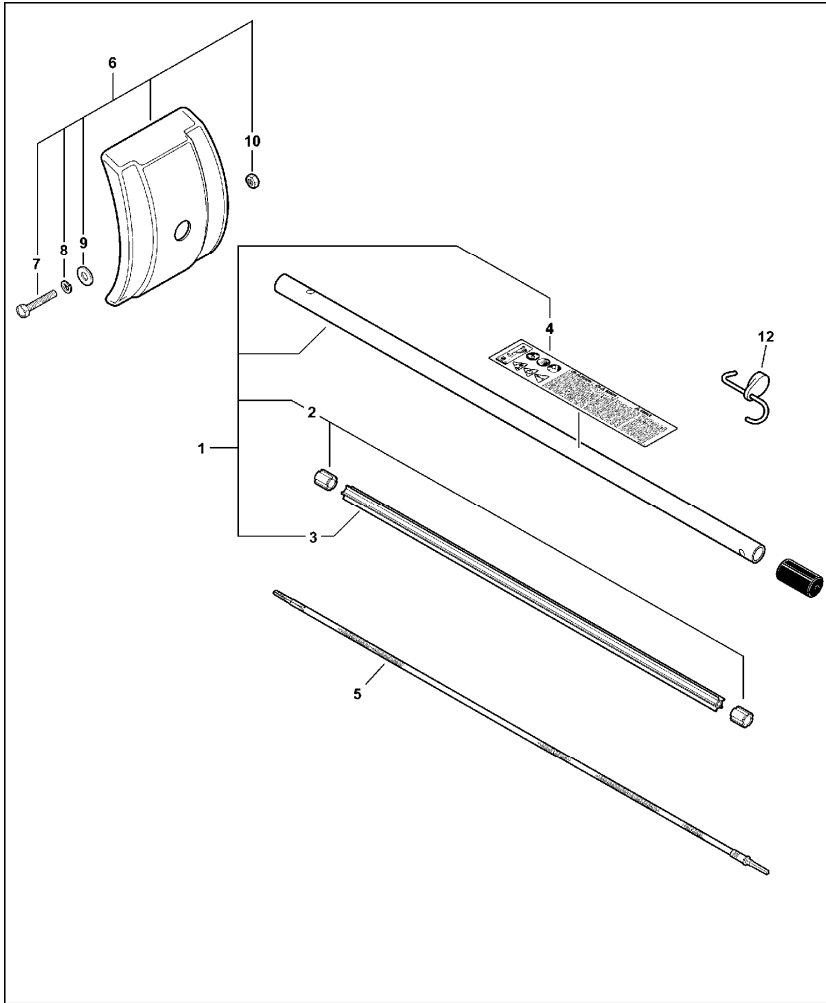
KEY	LV	PART NUMBER	Q'TY	DESCRIPTION	REMARKS	NOTE1	NOTE2
1		605612-11050	2	CLIP, PIN			
2		605611-11050	2	PIN			
3		900100-06010	6	BOLT 6*10	6*10		
4		900605-00006	6	WASHER, SPRING 6	6		
5		690010-11050	2	BLADE (BL)			
6		605610-11050	2	HUB, BLADE (BL)			

## 2. Gear Case



KEY	LV	PART NUMBER	Q'TY	DESCRIPTION	REMARKS	NOTE1	NOTE2
1		C051-000290	1	CASE, GEAR			
2	+	900162-06030	1	BOLT, H.S. 6*30	6*30W, SW		
3	+	V340-000220	1	WASHER			
4	+	900162-05012	1	BOLT, H.S. 5*12	5*12 W, SW		
5	+	900162-05020	5	BOLT, H.S. 5*20	5*20 W, SW		
6	+	900100-08010	1	BOLT 8*10	8*10		
7	+	V622-000030	1	PIN, STRAIGHT 4			
8	+	P021-016400	1	GEAR HOUSING ASY			
9	++	V376-001040	1	SPACER			
10	++	V585-000030	1	BALL			
11	++	V555-000060	2	BEARING, NEEDLE 10			
12	++	V340-000230	2	WASHER			
13	++	V590-000010	1	BEARING, THRUST			
14	+	V650-000380	1	GEAR, SPUR			
15	+	V381-000010	1	KEY, WOODRUFF			
16	+	V652-000060	1	GEAR, WORM			
17	+	V650-000370	1	GEAR, SPUR			
18	+	900855-06901	1	BEARING, BALL 6901	6901		
19	+	900857-06901	1	BEARING, BALL 6901	6901LLU		
20	+	900706-00012	1	CIRCLIP 12	WR-12		
21	+	610335-21460	1	RING, RETAINING			
22	+	605416-11050	2	OILSEAL			
23	+	94003-06003	2	BEARING, BALL			
24	+	V653-000000	1	GEAR, WORM WHEEL			
25	+	V381-000000	1	KEY, WOODRUFF			
26	+	C534-000480	1	SHAFT, GEAR			

## 3. Brush



KEY	LV	PART NUMBER	Q'TY	DESCRIPTION	REMARKS	NOTE1	NOTE2
1		C050-001310	1	PIPE, MAIN			
2	+	610246-44730	2	STOPPER			
3	+	C507-000240	1	LINER, FLEXIBLE	21.6*643LNG		
4	+	890160-25560	1	LABEL, CAUTION			
5		C506-000002	1	SHAFT, FLEXIBLE			
6		694000-12050	1	COVER ASY, ROTOR			
7	+	900100-06020	1	BOLT 6*20	6*20		
8	+	900605-00006	1	WASHER, SPRING 6	6		
9	+	900600-00006	1	WASHER 6	6		
10	+	900500-00006	1	NUT 6	6		
12		C649-000120	1	HOOK			

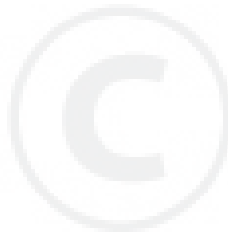
**Index**

<b>Patrs Number</b>	<b>Key No.</b>	<b>Patrs Number</b>	<b>Key No.</b>	<b>Patrs Number</b>	<b>Key No.</b>
605416-11050	2 - 22				
605610-11050	1 - 6				
605611-11050	1 - 2				
605612-11050	1 - 1				
610246-44730	3 - 2				
610335-21460	2 - 21				
690010-11050	1 - 5				
694000-12050	3 - 6				
890160-25560	3 - 4				
900100-06010	1 - 3				
900100-06020	3 - 7				
900100-08010	2 - 6				
900162-05012	2 - 4				
900162-05020	2 - 5				
900162-06030	2 - 2				
900500-00006	3 - 10				
900600-00006	3 - 9				
900605-00006	1 - 4				
900605-00006	3 - 8				
900706-00012	2 - 20				
900855-06901	2 - 18				
900857-06901	2 - 19				
94003-06003	2 - 23				
C050-001310	3 - 1				
C051-000290	2 - 1				
C506-000002	3 - 5				
C507-000240	3 - 3				
C534-000480	2 - 26				
C649-000120	3 - 12				
P021-016400	2 - 8				
V340-000220	2 - 3				
V340-000230	2 - 12				
V376-001040	2 - 9				
V381-000000	2 - 25				
V381-000010	2 - 15				
V555-000060	2 - 11				
V585-000030	2 - 10				
V590-000010	2 - 13				
V622-000030	2 - 7				
V650-000370	2 - 17				
V650-000380	2 - 14				
V652-000060	2 - 16				
V653-000000	2 - 24				

# YAMABIKO CORPORATION

7-2 SUEHIROCHO 1-CHOME, OHME, TOKYO 198-8760, JAPAN  
PHONE: 81-428-32-6118. FAX: 81-428-32-6145.

**ECHO**<sup>®</sup>



813)  
No.