



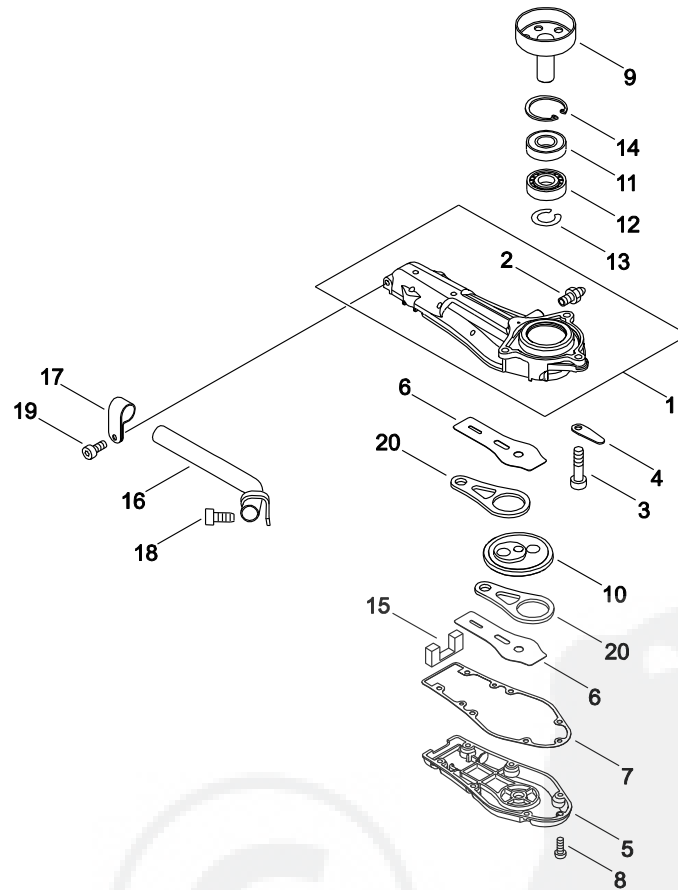
**PARTS CATALOG**  
**HEDGE TRIMMER**  
**HCR-185ES(37)**

37003461 -

**CE**

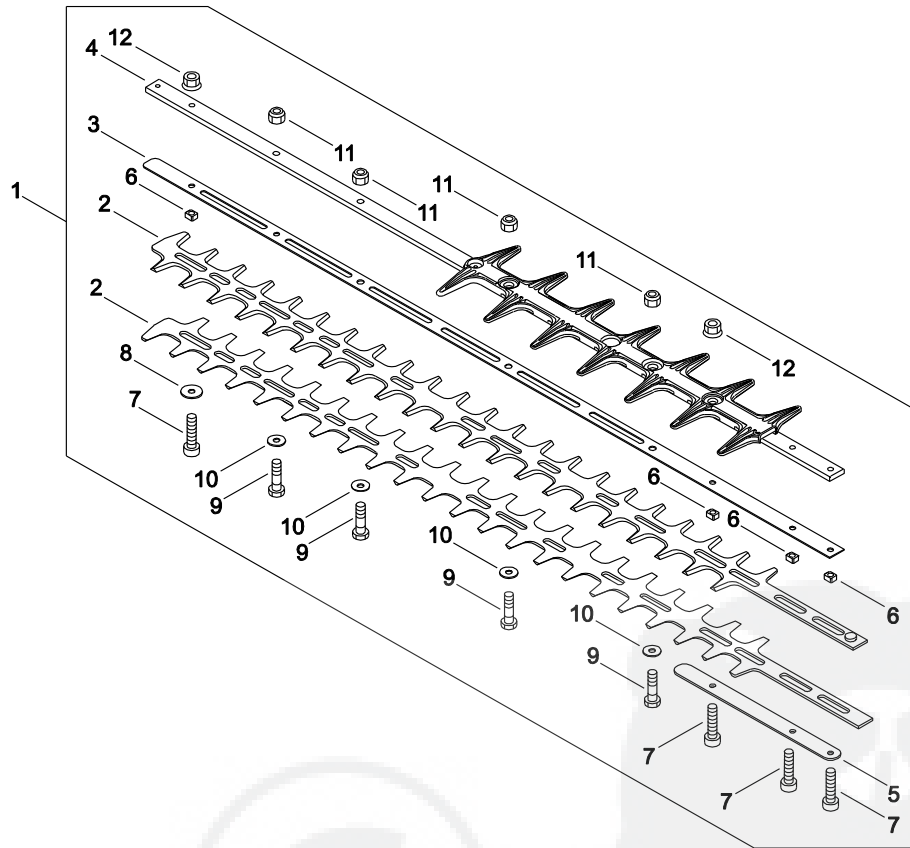
P014-003711-15C

## 1. GEAR CASE



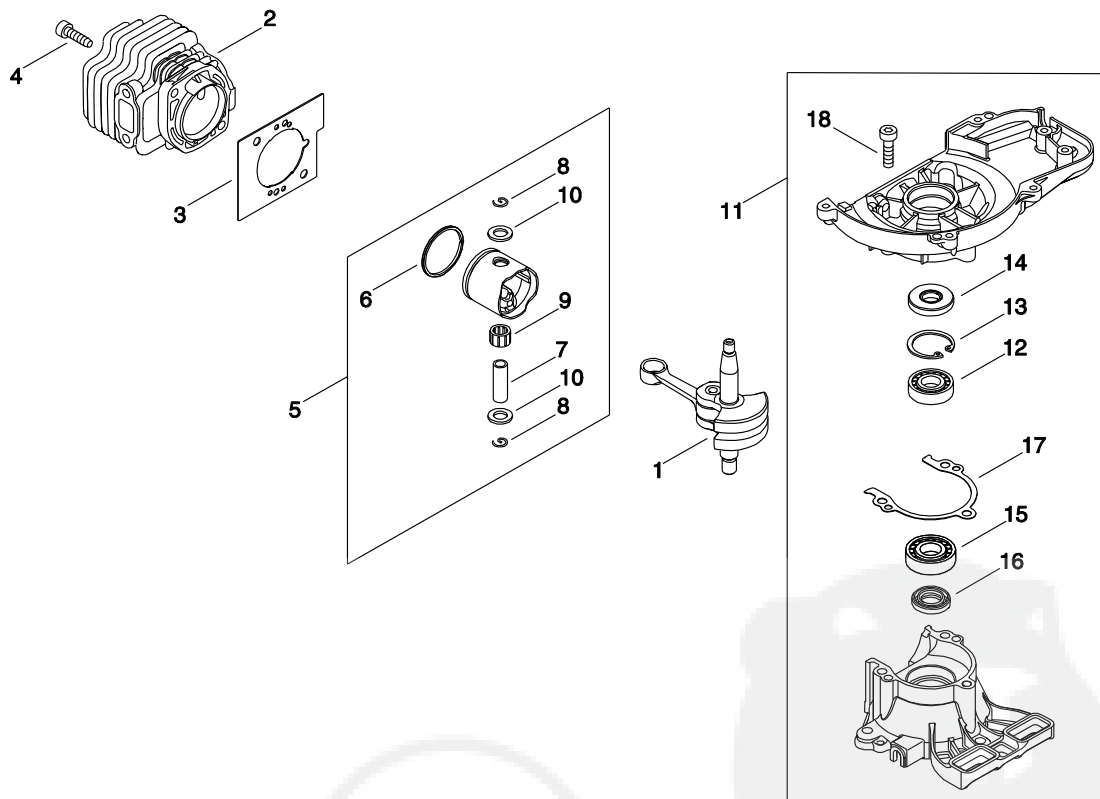
| KEY | LV | PART NUMBER  | Q'TY | DESCRIPTION        | REMARKS      | NOTE1 | NOTE2 |
|-----|----|--------------|------|--------------------|--------------|-------|-------|
| 1   |    | P021-013070  | 1    | CASE,GEAR          |              |       |       |
| 2   | +  | 880110-10860 | 1    | NIPPLE, GREASE     |              |       |       |
| 3   |    | V806-000140  | 3    | BOLT, TORX 6       | TB-6*45 12.9 |       |       |
| 4   |    | C628-000160  | 1    | PIECE, PLATE       |              |       |       |
| 5   |    | C539-000021  | 1    | LID,GEARCASE       |              |       |       |
| 6   |    | V150-001810  | 2    | PLATE,EYE          | T0.5         |       |       |
| 7   |    | V110-000060  | 1    | GASKET,GEAR CASE   | T0.3         |       |       |
| 8   |    | V804-000060  | 6    | BOLT, TORX 4       | TB-4*16 10.9 |       |       |
| 9   |    | A556-001630  | 1    | DRUM, CLUTCH       | 50 T:1.4     |       |       |
| 10  |    | V650-000300  | 1    | GEAR,SPUR          | 46T          |       |       |
| 11  |    | 900812-06202 | 1    | BEARING, BALL 6202 | 6202DDU(LLU) |       |       |
| 12  |    | 900810-36202 | 1    | BEARING, BALL 6202 | 6202/C3      |       |       |
| 13  |    | 900701-00014 | 1    | CIRCLIP 14         | CS-14        |       |       |
| 14  |    | 900702-00035 | 1    | CIRCLIP 35         | CR-35        |       |       |
| 15  |    | V541-000140  | 1    | SEAL               |              |       |       |
| 16  |    | A313-002000  | 1    | GUIDE, EXHAUST     |              |       |       |
| 17  |    | A319-000510  | 1    | STAY, MUFFLER      |              |       |       |
| 18  |    | V805-000130  | 1    | BOLT, TORX 5       | TB-5*10 10.9 |       |       |
| 19  |    | V804-000040  | 1    | BOLT, TORX 4       | TB-4*10 10.9 |       |       |
| 20  |    | C532-000170  | 2    | ROD, CONNECTING    |              |       |       |

## 2. BLADE



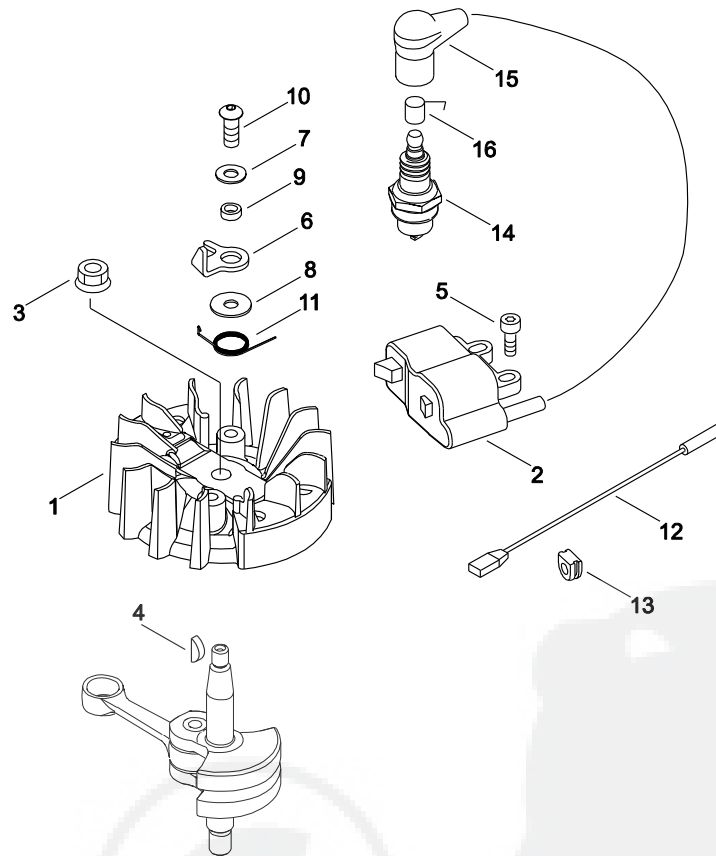
| KEY | LV | PART NUMBER  | Q'TY | DESCRIPTION        | REMARKS      | NOTE1 | NOTE2 |
|-----|----|--------------|------|--------------------|--------------|-------|-------|
| 1   |    | X041-000500  | 1    | CUTTER,ASM         |              |       |       |
| 2   | +  | X412-000650  | 2    | CUTTER             |              |       |       |
| 3   | +  | X425-000850  | 1    | SUPPORT,CUTTER     |              |       |       |
| 4   | +  | P021-049630  | 1    | CUTTER SUPPORT ASY |              |       |       |
| 5   | +  | V150-001800  | 1    | PLATE,EYE          | T2.0         |       |       |
| 6   | +  | V353-000250  | 4    | COLLAR             | 9*7.45*5.3   |       |       |
| 7   | +  | V805-000170  | 4    | BOLT, TORX 5       | TB-5*25 10.9 |       |       |
| 8   | +  | 177214-21860 | 1    | WASHER             | 5.2*16*1.6T  |       |       |
| 9   | +  | V204-000510  | 4    | BOLT               |              |       |       |
| 10  | +  | V304-000240  | 4    | WASHER             |              |       |       |
| 11  | +  | 433022-06460 | 4    | NUT                |              |       |       |
| 12  | +  | 92108-05000  | 2    | NUT, FLANGE        |              |       |       |

## 3. CYLINDER, CRANKCASE, PISTON



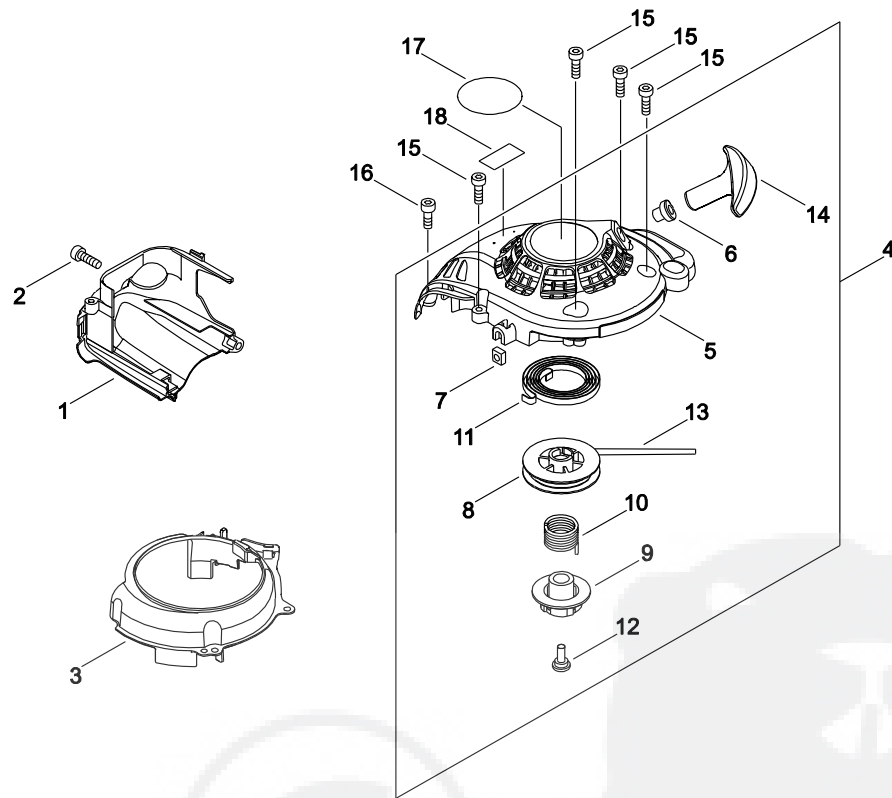
| KEY | LV | PART NUMBER  | Q'TY | DESCRIPTION         | REMARKS      | NOTE1 | NOTE2 |
|-----|----|--------------|------|---------------------|--------------|-------|-------|
| 1   |    | A011-001360  | 1    | CRANKSHAFT,ASY      |              |       |       |
| 2   |    | A130-001960  | 1    | CYLINDER            |              |       |       |
| 3   |    | V100-000720  | 1    | GASKET,CYL          |              |       |       |
| 4   |    | V805-000210  | 2    | BOLT, TORX 5        | TB-5*20 12.9 |       |       |
| 5   |    | P021-037930  | 1    | PISTON KIT          |              |       |       |
| 6   | +  | A101-000090  | 1    | RING,PISTON         |              |       |       |
| 7   | +  | V606-000020  | 1    | PIN,ENG 8           | 5.8*8*25.5   |       |       |
| 8   | +  | 100015-04630 | 2    | CIRCLIP, PISTON PIN |              |       |       |
| 9   | +  | 100113-05930 | 1    | BEARING, NEEDLE     | 8*12*8       |       |       |
| 10  | +  | 100014-08960 | 2    | SPACER, PISTON PIN  |              |       |       |
| 11  |    | P021-046110  | 1    | CRANKCASE SET       |              |       |       |
| 12  | +  | 900810-36000 | 1    | BEARING, BALL       |              |       |       |
| 13  | +  | 900702-00026 | 1    | CIRCLIP 26          | CR-26        |       |       |
| 14  | +  | 100213-61830 | 1    | OILSEAL             | ISCD 10*26*5 |       |       |
| 15  | +  | 900810-36000 | 1    | BEARING, BALL       |              |       |       |
| 16  | +  | 100212-61830 | 1    | OILSEAL             | ISCD 10*20*5 |       |       |
| 17  | +  | V102-000240  | 1    | GASKET,CRANKCASE    |              |       |       |
| 18  | +  | V805-000220  | 3    | BOLT, TORX 5        | TB-5*25 12.9 |       |       |

## 4. MAGNETO



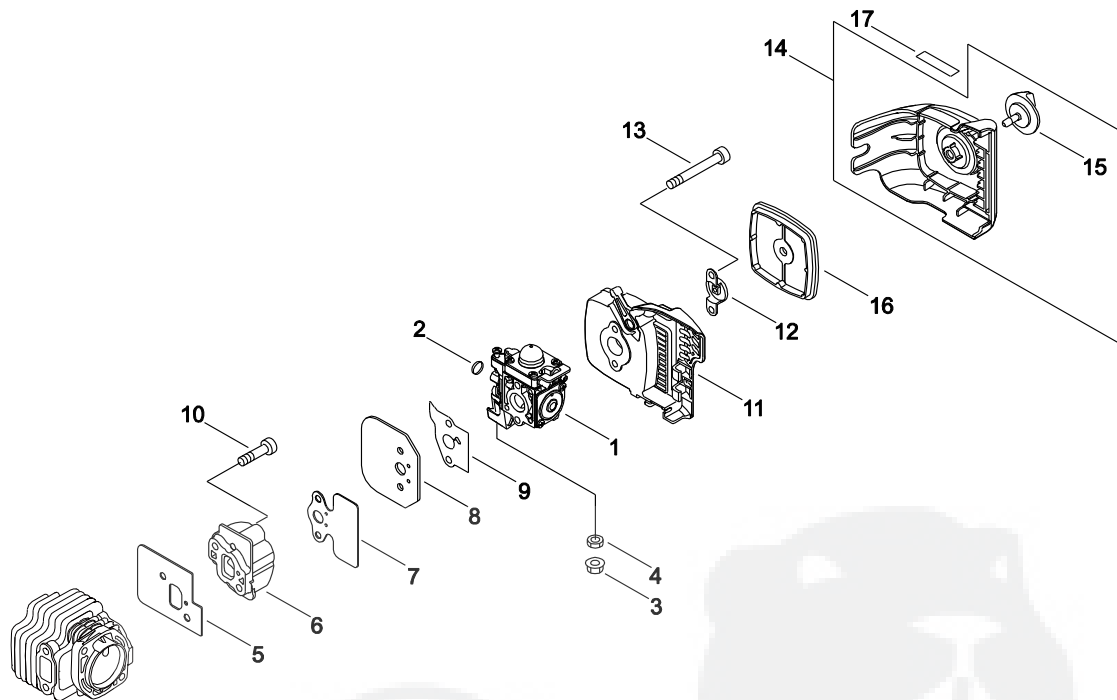
| KEY | LV | PART NUMBER  | Q'TY | DESCRIPTION        | REMARKS      | NOTE1 | NOTE2 |
|-----|----|--------------|------|--------------------|--------------|-------|-------|
| 1   |    | A409-001120  | 1    | ROTOR, MAGNETO     |              |       |       |
| 2   |    | A411-001490  | 1    | COIL, IGNITION     |              |       |       |
| 3   |    | 92105-06000  | 1    | NUT, FLANGE        | M6*1.0 L     |       |       |
| 4   |    | 100142-12330 | 1    | KEY, WOODRUFF      |              |       |       |
| 5   |    | V804-000060  | 2    | BOLT, TORX 4       | TB-4*16 10.9 |       |       |
| 6   |    | A514-000260  | 2    | PAWL               |              |       |       |
| 7   |    | 900603-00005 | 2    | WASHER 5           | 5.5*12*0.8   |       |       |
| 8   |    | 131911-03460 | 2    | WASHER             |              |       |       |
| 9   |    | 178070-10860 | 2    | SPACER             |              |       |       |
| 10  |    | V203-000080  | 2    | BOLT,5             | 5*14         |       |       |
| 11  |    | V452-001370  | 2    | SPRING,TORSION     |              |       |       |
| 12  |    | V485-001220  | 1    | LEAD               | L:85         |       |       |
| 13  |    | V135-000150  | 1    | GROMMET,HT CORD    |              |       |       |
| 14  |    | A425-000000  | 1    | SPARKPLUG          | BPMR8Y       |       |       |
| 15  |    | A427-000013  | 1    | CAP, SPARK PLUG    |              |       |       |
| 16  |    | A426-000010  | 1    | TERMINAL,SPARKPLUG |              |       |       |

## 5. RECOIL STARTER



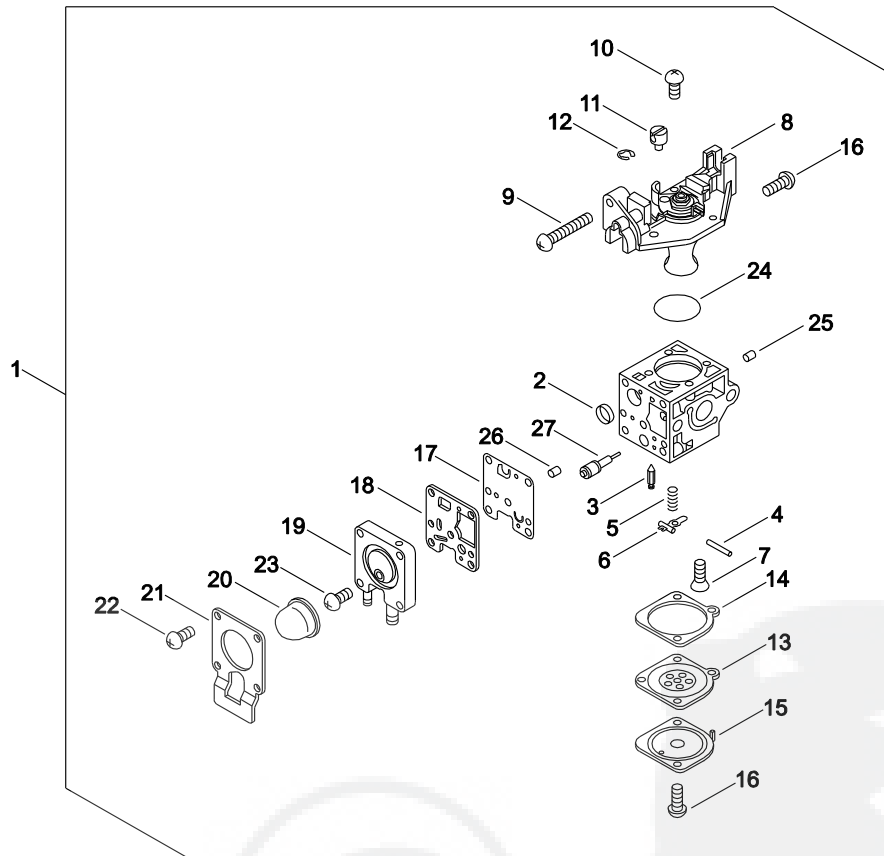
| KEY | LV | PART NUMBER  | Q'TY | DESCRIPTION        | REMARKS         | NOTE1 | NOTE2 |
|-----|----|--------------|------|--------------------|-----------------|-------|-------|
| 1   |    | A160-002940  | 1    | COVER,CYLINDER     |                 |       |       |
| 2   |    | V805-000150  | 1    | BOLT, TORX 5       | TB-5*16 10.9    |       |       |
| 3   |    | A172-002610  | 1    | COVER,FAN          |                 |       |       |
| 4   |    | A051-002373  | 1    | STARTER,RECOIL ASY |                 |       |       |
| 5   | +  | P022-036941  | 1    | CASE, STARTER      |                 |       |       |
| 6   | +  | 177227-42030 | 1    | GUIDE, ROPE        |                 |       |       |
| 7   | +  | P022-022010  | 1    | NUT                |                 |       |       |
| 8   | +  | P022-027980  | 1    | DRUM, STARTER      |                 |       |       |
| 9   | +  | P022-037310  | 1    | PLATE, CAM         |                 |       |       |
| 10  | +  | P022-008270  | 1    | SPRING,DAMPER      |                 |       |       |
| 11  | +  | 177220-42030 | 1    | SPRING, REWIND     |                 |       |       |
| 12  | +  | 177236-61830 | 1    | SCREW              |                 |       |       |
| 13  | +  | P022-006800  | 1    | ROPE, STARTER      | 3.0*880         |       |       |
| 14  | +  | 177228-44330 | 1    | GRIP, STARTER      |                 |       |       |
| 15  |    | V804-000060  | 4    | BOLT, TORX 4       | TB-4*16 10.9    |       |       |
| 16  |    | V804-000010  | 1    | BOLT, TORX 4       | TT-4*16 DG 10.9 |       |       |
| 17  |    | X502-000890  | 1    | LABEL,ECHO         |                 |       |       |
| 18  |    | X543-004330  | 1    | LABEL,MODEL        | HCR-185ES       |       |       |

## 6. AIR CLEANER, CARBURETOR



| KEY | LV | PART NUMBER  | Q'TY | DESCRIPTION          | REMARKS      | NOTE1 | NOTE2 |
|-----|----|--------------|------|----------------------|--------------|-------|-------|
| 1   |    | A021-004231  | 1    | CARBURETOR,DIAPHRAGM | RB-K119      |       |       |
| 2   |    | V490-001100  | 1    | CLIP                 |              |       |       |
| 3   |    | 900515-00006 | 1    | NUT, FLANGE 6        | 6            |       |       |
| 4   |    | 900502-00006 | 1    | NUT 6 (3N)           | 3N6          |       |       |
| 5   |    | V103-001401  | 1    | GASKET,INTAKE        |              |       |       |
| 6   |    | A200-000941  | 1    | INSULATOR, INTAKE    |              |       |       |
| 7   |    | V103-001730  | 1    | GASKET,INTAKE        | T:1.0        |       |       |
| 8   |    | A209-000610  | 1    | PLATE, INSULATOR     |              |       |       |
| 9   |    | V103-001740  | 1    | GASKET,INTAKE        |              |       |       |
| 10  |    | V805-000170  | 2    | BOLT, TORX 5         | TB-5*25 10.9 |       |       |
| 11  |    | P021-046090  | 1    | CASE,CLEANER         |              |       |       |
| 12  |    | A244-000070  | 1    | PLATE,PREVENT        |              |       |       |
| 13  |    | V805-000100  | 2    | BOLT, TORX 5         | TB-5*65 10.9 |       |       |
| 14  |    | P021-046100  | 1    | LID,CLEANER ASY      |              |       |       |
| 15  | +  | V299-000410  | 1    | KNOB                 |              |       |       |
| 16  |    | A226-001410  | 1    | ELEMENT,AIR FILTER   |              |       |       |
| 17  |    | 890332-52730 | 1    | LABEL, CHOKE         |              |       |       |

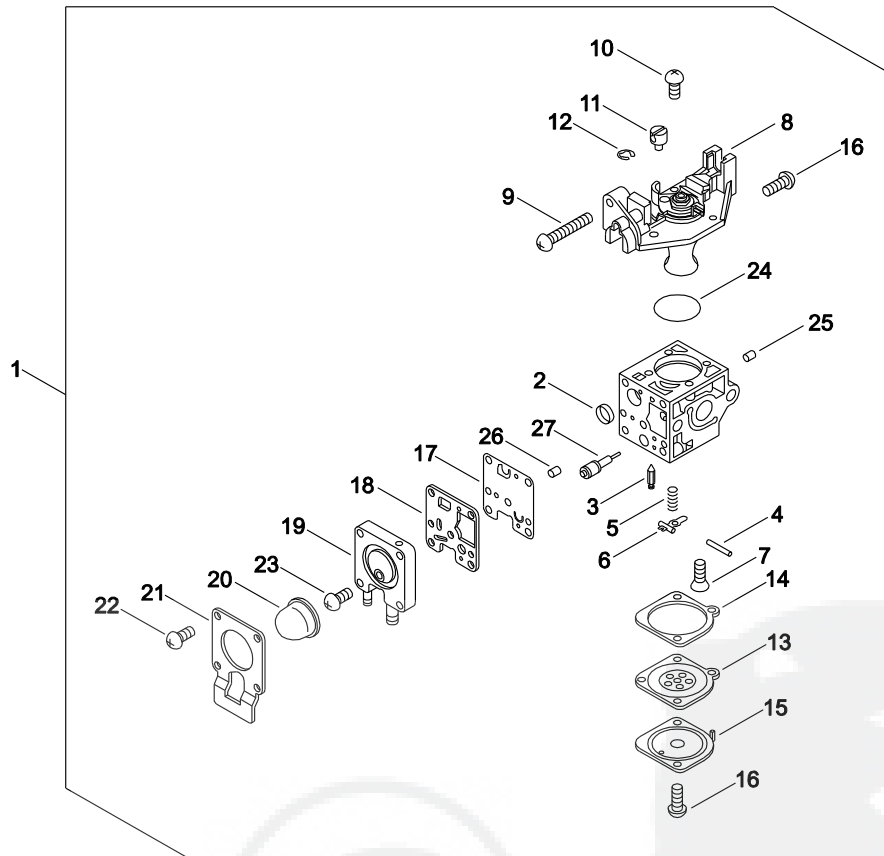
## 7. CARBURETOR



| KEY | LV | PART NUMBER  | Q'TY | DESCRIPTION          | REMARKS | NOTE1 | NOTE2 |
|-----|----|--------------|------|----------------------|---------|-------|-------|
| 1   |    | A021-004231  | 1    | CARBURETOR,DIAPHRAGM | RB-K119 |       |       |
| 2   | +  | P005-000010  | 1    | STRAINER             |         |       |       |
| 3   | +  | 125337-08260 | 1    | VALVE, INLET NEEDLE  |         |       |       |
| 4   | +  | 125338-13930 | 1    | PIN, METERING ARM    |         |       |       |
| 5   | +  | P005-000940  | 1    | SPRING, METER. LEVER |         |       |       |
| 6   | +  | 125323-08260 | 1    | ARM, VALVE           |         |       |       |
| 7   | +  | 125339-42030 | 1    | SCREW                |         |       |       |
| 8   | +  | P005-002050  | 1    | COVER ASY, ROTOR     |         |       |       |
| 9   | +  | P005-000100  | 1    | SCREW,THROTTLADJUST  |         |       |       |
| 10  | +  | 125344-13931 | 3    | SCREW                |         |       |       |
| 11  | +  | P005-002200  | 1    | POST                 |         |       |       |
| 12  | +  | P005-000190  | 1    | E-RING               |         |       |       |
| 13  | +  | P005-002230  | 1    | DIAPHRAGM ,METERING  |         |       |       |
| 14  | +  | P005-000200  | 1    | GASKET, METERING     |         |       |       |
| 15  | +  | 125342-52130 | 1    | COVER, DIAPHRAGM     |         |       |       |
| 16  | +  | 125344-52130 | 3    | SCREW                |         |       |       |
| 17  | +  | P005-000510  | 1    | DIAPHRAGM, PUMP      |         |       |       |
| 18  | +  | P005-000520  | 1    | GASKET, PUMP         |         |       |       |
| 19  | +  | P005-001890  | 1    | BASE, ASY PRIMER     |         |       |       |
| 20  | +  | P005-003110  | 1    | PUMP, PRIMER         |         |       |       |
| 21  | +  | P005-000250  | 1    | RETAINER             |         |       |       |
| 22  | +  | P005-001900  | 4    | SCREW                |         |       |       |
| 23  | +  | P005-000270  | 1    | SCREW                |         |       |       |
| 24  | +  | P005-000280  | 1    | O-RING               |         |       |       |
| 25  | +  | P005-001000  | 1    | ROLLER, GUIDE        |         |       |       |

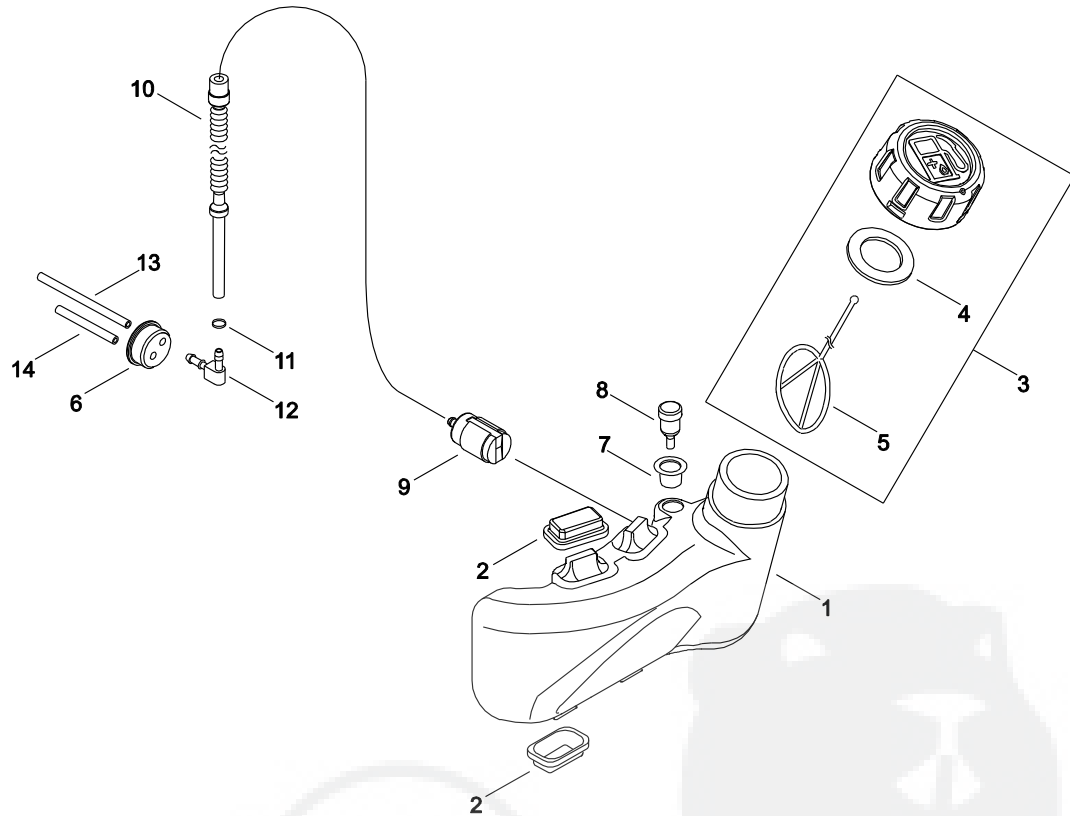


7. CARBURETOR



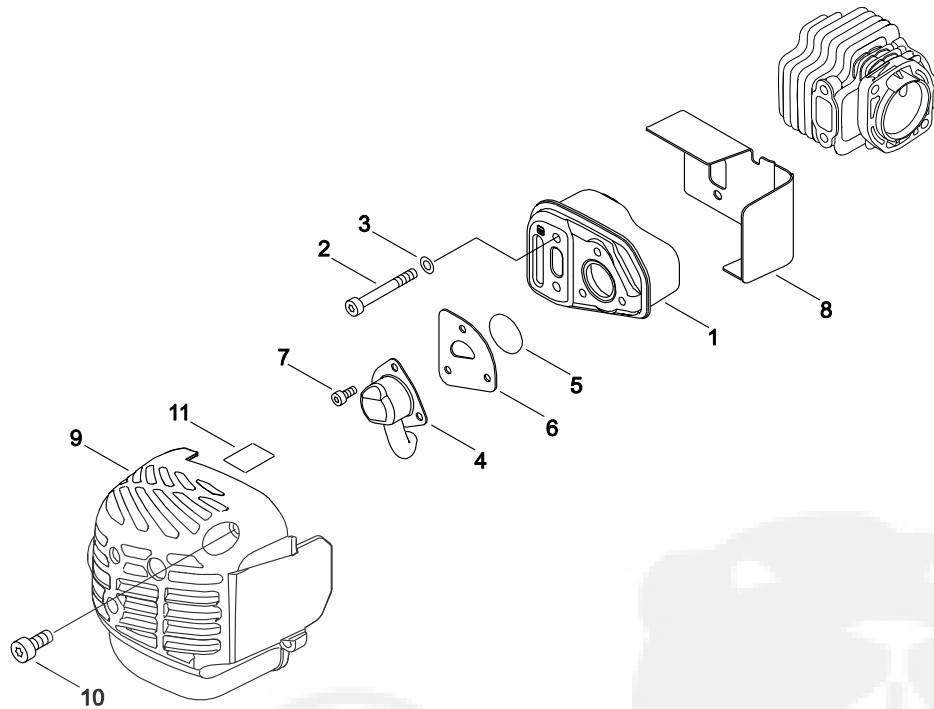
| KEY | LV | PART NUMBER | Q'TY | DESCRIPTION         | REMARKS | NOTE1 | NOTE2 |
|-----|----|-------------|------|---------------------|---------|-------|-------|
| 26  | +  | P005-001250 | 1    | RETAINER,PLUG BALL  |         |       |       |
| 27  | +  | P005-001260 | 1    | SCREW,MAINN MIXTURE |         |       |       |

## 8. FUEL TANK



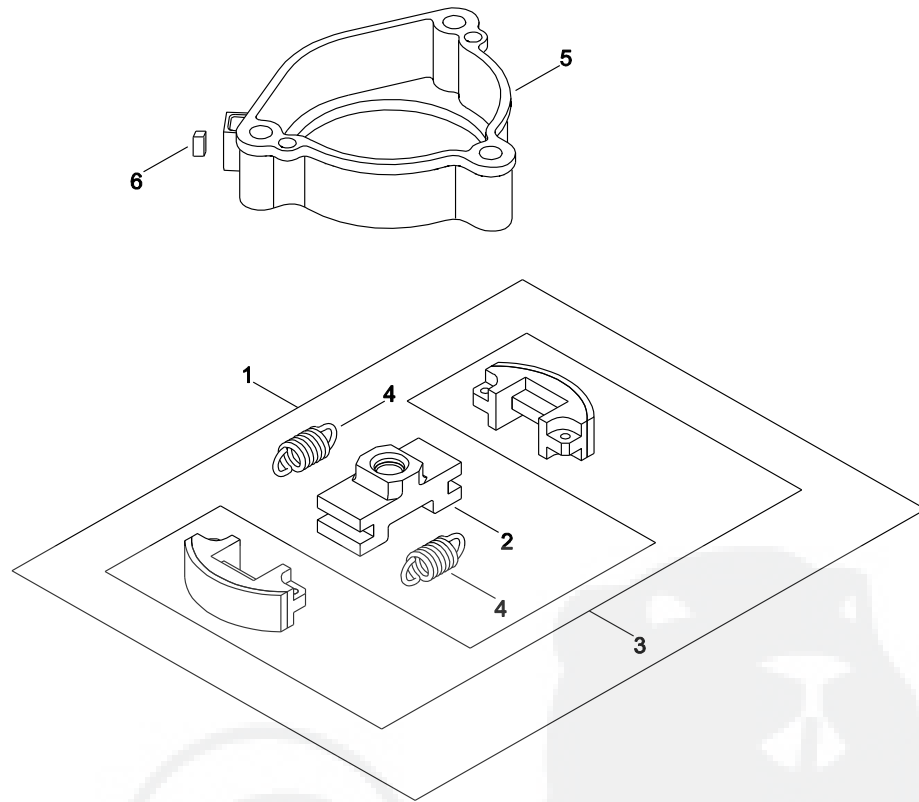
| KEY | LV | PART NUMBER  | Q'TY | DESCRIPTION      | REMARKS   | NOTE1 | NOTE2 |
|-----|----|--------------|------|------------------|-----------|-------|-------|
| 1   |    | A350-001880  | 1    | TANK, FUEL       |           |       |       |
| 2   |    | V420-004490  | 4    | CUSHION          |           |       |       |
| 3   |    | P021-046080  | 1    | FUEL CAP ASY     |           |       |       |
| 4   | +  | 131016-55830 | 1    | GASKET, FUEL CAP |           |       |       |
| 5   | +  | A365-000060  | 1    | CONNECTOR,CAP    | L=123     |       |       |
| 6   |    | 132115-44330 | 1    | GROMMET          |           |       |       |
| 7   |    | V137-000000  | 1    | GROMMET,FUEL     |           |       |       |
| 8   |    | A356-000031  | 1    | VALVE,CHECK      |           |       |       |
| 9   |    | 131205-07321 | 1    | STRAINER, FUEL   |           |       |       |
| 10  |    | V471-003510  | 1    | PIPE             | L=125     |       |       |
| 11  |    | V490-000500  | 1    | CLIP             |           |       |       |
| 12  |    | V186-000270  | 1    | JOINT,PIPE       |           |       |       |
| 13  |    | V471-003500  | 1    | PIPE             | L=92      |       |       |
| 14  |    | 132010-49730 | 1    | PIPE 3*6*85      | 3*6*85 YL |       |       |

## 9. MUFFLER



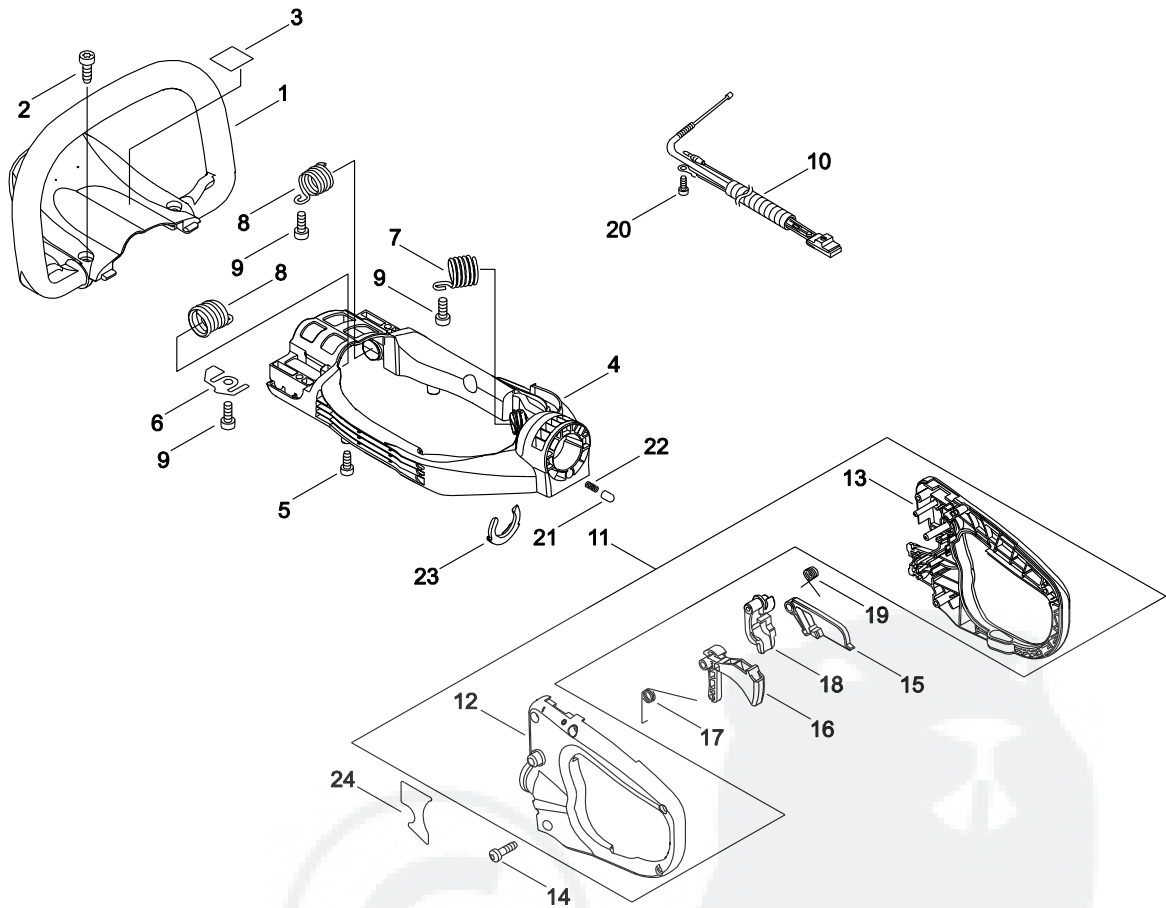
| KEY | LV | PART NUMBER  | Q'TY | DESCRIPTION      | REMARKS      | NOTE1 | NOTE2 |
|-----|----|--------------|------|------------------|--------------|-------|-------|
| 1   |    | A300-001860  | 1    | MUFFLER, EXHAUST |              |       |       |
| 2   |    | V805-000190  | 2    | BOLT, TORX 5     | TB-5*55 12.9 |       |       |
| 3   |    | 900603-00005 | 2    | WASHER 5         | 5.5*12*0.8   |       |       |
| 4   |    | A313-001990  | 1    | GUIDE, EXHAUST   | ID#2170      |       |       |
| 5   |    | A310-000470  | 1    | SCREEN, ARRESTOR |              |       |       |
| 6   |    | V104-002180  | 1    | GASKET, EXHAUST  |              |       |       |
| 7   |    | V804-000030  | 3    | BOLT, TORX 4     | TB-4*8 10.9  |       |       |
| 8   |    | V104-002190  | 1    | GASKET, EXHAUST  |              |       |       |
| 9   |    | A320-001120  | 1    | COVER, MUFFLER   |              |       |       |
| 10  |    | V805-000320  | 2    | BOLT, TORX 5     | TB-5*16 10.9 |       |       |
| 11  |    | X505-002310  | 1    | LABEL, CAUTION   | HOT CAUTION  |       |       |

10. CLUTCH



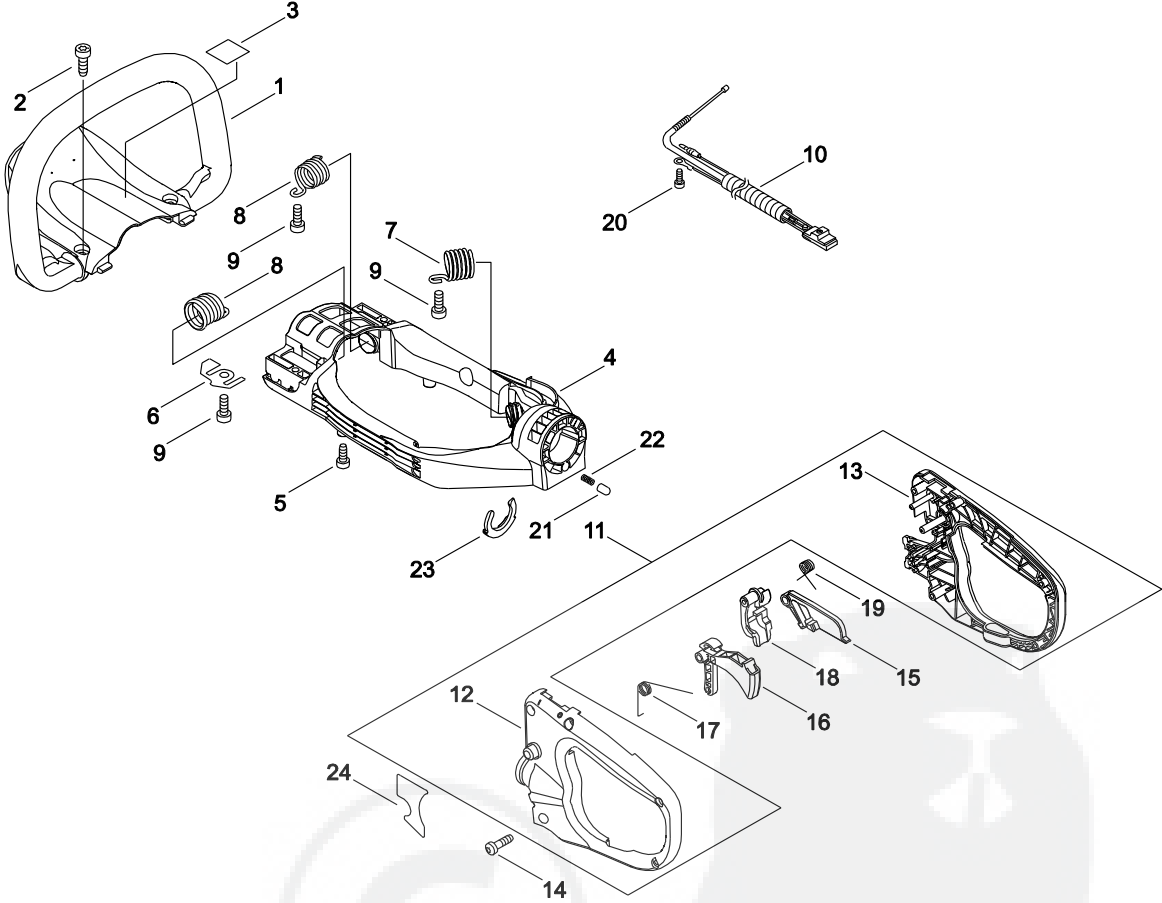
| KEY | LV | PART NUMBER  | Q'TY | DESCRIPTION     | REMARKS | NOTE1 | NOTE2 |
|-----|----|--------------|------|-----------------|---------|-------|-------|
| 1   |    | A056-000750  | 1    | CLUTCH ASY      |         |       |       |
| 2   | +  | A552-000400  | 1    | HUB, CLUTCH     |         |       |       |
| 3   | +  | P021-046120  | 1    | CLUTCH SHOE SET |         |       |       |
| 4   | +  | A566-000000  | 2    | SPRING, CLUTCH  |         |       |       |
| 5   |    | A570-000320  | 1    | CASE, CLUTCH    |         |       |       |
| 6   |    | 900565-00005 | 1    | NUT             | 5       |       |       |

## 11. HANDLE



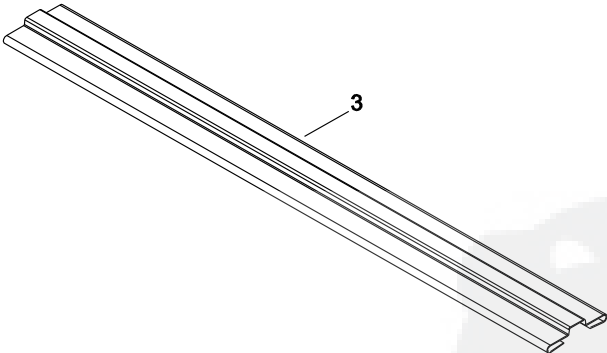
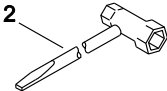
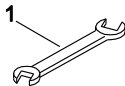
| KEY | LV | PART NUMBER  | Q'TY | DESCRIPTION        | REMARKS         | NOTE1 | NOTE2 |
|-----|----|--------------|------|--------------------|-----------------|-------|-------|
| 1   |    | C400-000480  | 1    | HANDLE, FRONT      |                 |       |       |
| 2   |    | V805-000010  | 2    | BOLT, TORX 5       | TT-5*20 DG 10.9 |       |       |
| 3   |    | X505-002030  | 1    | LABEL CAUTION      | 37*35           |       |       |
| 4   |    | C600-001590  | 1    | FRAME              |                 |       |       |
| 5   |    | V805-000240  | 2    | BOLT, TORX 5       | TT-5*12 DG 10.9 |       |       |
| 6   |    | V150-003890  | 1    | PLATE,EYE          |                 |       |       |
| 7   |    | V450-001910  | 2    | SPRING,COMPRESSION |                 |       |       |
| 8   |    | V450-001920  | 2    | SPRING,COMPRESSION |                 |       |       |
| 9   |    | V805-000150  | 4    | BOLT, TORX 5       | TB-5*16 10.9    |       |       |
| 10  |    | P021-049150  | 1    | SWITCH,ON OFF      |                 |       |       |
| 11  |    | P021-046150  | 1    | HANDLE SET, REAR   |                 |       |       |
| 12  | +  | P021-046140  | 1    | REAR HANDLE ASY    |                 |       |       |
| 13  | +  | C410-001350  | 1    | HANDLE,REAR        |                 |       |       |
| 14  |    | V804-000010  | 5    | BOLT, TORX 4       | TT-4*16 DG 10.9 |       |       |
| 15  |    | C460-000090  | 1    | LOCKOUT, THROTTLE  |                 |       |       |
| 16  |    | C450-000250  | 1    | CONTROL, THROTTLE  |                 |       |       |
| 17  |    | V452-000300  | 1    | SPRING,TORSION     |                 |       |       |
| 18  |    | C427-000020  | 1    | STOPPER, HANDLE    |                 |       |       |
| 19  |    | V452-000310  | 1    | SPRING,TORSION     |                 |       |       |
| 20  |    | V804-000040  | 1    | BOLT, TORX 4       | TB-4*10 10.9    |       |       |
| 21  |    | 605611-13360 | 1    | PIN                |                 |       |       |
| 22  |    | V450-000630  | 1    | SPRING,COMPRESSION | 5.1/3.5         |       |       |

11. HANDLE



| KEY | LV | PART NUMBER | Q'TY | DESCRIPTION      | REMARKS | NOTE1 | NOTE2 |
|-----|----|-------------|------|------------------|---------|-------|-------|
| 23  |    | C423-000980 | 1    | FIXTURE, HANDLE  |         |       |       |
| 24  |    | X532-000740 | 1    | LABEL, OPERATION |         |       |       |

12. ACCESSORIES



| KEY | LV | PART NUMBER  | Q'TY | DESCRIPTION         | REMARKS   | NOTE1 | NOTE2 |
|-----|----|--------------|------|---------------------|-----------|-------|-------|
| 1   |    | 895112-00330 | 1    | SPANNER 8*10        |           |       |       |
| 2   |    | 895410-03930 | 1    | WRENCH, W/S. DRIVER |           |       |       |
| 3   |    | X495-000560  | 1    | SCABBARD BLADE      | L808 30IN |       |       |

**Index**

| <b>Patrs Number</b> | <b>Key No.</b> | <b>Patrs Number</b> | <b>Key No.</b> | <b>Patrs Number</b> | <b>Key No.</b> |
|---------------------|----------------|---------------------|----------------|---------------------|----------------|
| 100014-08960        | 3 - 10         | A101-000090         | 3 - 6          | P005-001260         | 7 - 27         |
| 100015-04630        | 3 - 8          | A130-001960         | 3 - 2          | P005-001890         | 7 - 19         |
| 100113-05930        | 3 - 9          | A160-002940         | 5 - 1          | P005-001900         | 7 - 22         |
| 100142-12330        | 4 - 4          | A172-002610         | 5 - 3          | P005-002050         | 7 - 8          |
| 100212-61830        | 3 - 16         | A200-000941         | 6 - 6          | P005-002200         | 7 - 11         |
| 100213-61830        | 3 - 14         | A209-000610         | 6 - 8          | P005-002230         | 7 - 13         |
| 125323-08260        | 7 - 6          | A226-001410         | 6 - 16         | P005-003110         | 7 - 20         |
| 125337-08260        | 7 - 3          | A244-000070         | 6 - 12         | P021-013070         | 1 - 1          |
| 125338-13930        | 7 - 4          | A300-001860         | 9 - 1          | P021-037930         | 3 - 5          |
| 125339-42030        | 7 - 7          | A310-000470         | 9 - 5          | P021-046080         | 8 - 3          |
| 125342-52130        | 7 - 15         | A313-001990         | 9 - 4          | P021-046090         | 6 - 11         |
| 125344-13931        | 7 - 10         | A313-002000         | 1 - 16         | P021-046100         | 6 - 14         |
| 125344-52130        | 7 - 16         | A319-000510         | 1 - 17         | P021-046110         | 3 - 11         |
| 131016-55830        | 8 - 4          | A320-001120         | 9 - 9          | P021-046120         | 10 - 3         |
| 131205-07321        | 8 - 9          | A350-001880         | 8 - 1          | P021-046140         | 11 - 12        |
| 131911-03460        | 4 - 8          | A356-000031         | 8 - 8          | P021-046150         | 11 - 11        |
| 132010-49730        | 8 - 14         | A365-000060         | 8 - 5          | P021-049150         | 11 - 10        |
| 132115-44330        | 8 - 6          | A409-001120         | 4 - 1          | P021-049630         | 2 - 4          |
| 177214-21860        | 2 - 8          | A411-001490         | 4 - 2          | P022-006800         | 5 - 13         |
| 177220-42030        | 5 - 11         | A425-000000         | 4 - 14         | P022-008270         | 5 - 10         |
| 177227-42030        | 5 - 6          | A426-000010         | 4 - 16         | P022-022010         | 5 - 7          |
| 177228-44330        | 5 - 14         | A427-000013         | 4 - 15         | P022-027980         | 5 - 8          |
| 177236-61830        | 5 - 12         | A514-000260         | 4 - 6          | P022-036941         | 5 - 5          |
| 178070-10860        | 4 - 9          | A552-000400         | 10 - 2         | P022-037310         | 5 - 9          |
| 433022-06460        | 2 - 11         | A556-001630         | 1 - 9          | V100-000720         | 3 - 3          |
| 605611-13360        | 11 - 21        | A566-000000         | 10 - 4         | V102-000240         | 3 - 17         |
| 880110-10860        | 1 - 2          | A570-000320         | 10 - 5         | V103-001401         | 6 - 5          |
| 890332-52730        | 6 - 17         | C400-000480         | 11 - 1         | V103-001730         | 6 - 7          |
| 895112-00330        | 12 - 1         | C410-001350         | 11 - 13        | V103-001740         | 6 - 9          |
| 895410-03930        | 12 - 2         | C423-000980         | 11 - 23        | V104-002180         | 9 - 6          |
| 900502-00006        | 6 - 4          | C427-000020         | 11 - 18        | V104-002190         | 9 - 8          |
| 900515-00006        | 6 - 3          | C450-000250         | 11 - 16        | V110-000060         | 1 - 7          |
| 900565-00005        | 10 - 6         | C460-000090         | 11 - 15        | V135-000150         | 4 - 13         |
| 900603-00005        | 4 - 7          | C532-000170         | 1 - 20         | V137-000000         | 8 - 7          |
| 900603-00005        | 9 - 3          | C539-000021         | 1 - 5          | V150-001800         | 2 - 5          |
| 900701-00014        | 1 - 13         | C600-001590         | 11 - 4         | V150-001810         | 1 - 6          |
| 900702-00026        | 3 - 13         | C628-000160         | 1 - 4          | V150-003890         | 11 - 6         |
| 900702-00035        | 1 - 14         | P005-000010         | 7 - 2          | V186-000270         | 8 - 12         |
| 900810-36000        | 3 - 12         | P005-000100         | 7 - 9          | V203-000080         | 4 - 10         |
| 900810-36000        | 3 - 15         | P005-000190         | 7 - 12         | V204-000510         | 2 - 9          |
| 900810-36202        | 1 - 12         | P005-000200         | 7 - 14         | V299-000410         | 6 - 15         |
| 900812-06202        | 1 - 11         | P005-000250         | 7 - 21         | V304-000240         | 2 - 10         |
| 92105-06000         | 4 - 3          | P005-000270         | 7 - 23         | V353-000250         | 2 - 6          |
| 92108-05000         | 2 - 12         | P005-000280         | 7 - 24         | V420-004490         | 8 - 2          |
| A011-001360         | 3 - 1          | P005-000510         | 7 - 17         | V450-000630         | 11 - 22        |
| A021-004231         | 6 - 1          | P005-000520         | 7 - 18         | V450-001910         | 11 - 7         |
| A021-004231         | 7 - 1          | P005-000940         | 7 - 5          | V450-001920         | 11 - 8         |
| A051-002373         | 5 - 4          | P005-001000         | 7 - 25         | V452-000300         | 11 - 17        |
| A056-000750         | 10 - 1         | P005-001250         | 7 - 26         | V452-000310         | 11 - 19        |



**Index**

| <b>Patrs Number</b> | <b>Key No.</b> | <b>Patrs Number</b> | <b>Key No.</b> | <b>Patrs Number</b> | <b>Key No.</b> |
|---------------------|----------------|---------------------|----------------|---------------------|----------------|
| V452-001370         | 4 - 11         |                     |                |                     |                |
| V471-003500         | 8 - 13         |                     |                |                     |                |
| V471-003510         | 8 - 10         |                     |                |                     |                |
| V485-001220         | 4 - 12         |                     |                |                     |                |
| V490-000500         | 8 - 11         |                     |                |                     |                |
| V490-001100         | 6 - 2          |                     |                |                     |                |
| V541-000140         | 1 - 15         |                     |                |                     |                |
| V606-000020         | 3 - 7          |                     |                |                     |                |
| V650-000300         | 1 - 10         |                     |                |                     |                |
| V804-000010         | 5 - 16         |                     |                |                     |                |
| V804-000010         | 11 - 14        |                     |                |                     |                |
| V804-000030         | 9 - 7          |                     |                |                     |                |
| V804-000040         | 1 - 19         |                     |                |                     |                |
| V804-000040         | 11 - 20        |                     |                |                     |                |
| V804-000060         | 1 - 8          |                     |                |                     |                |
| V804-000060         | 4 - 5          |                     |                |                     |                |
| V804-000060         | 5 - 15         |                     |                |                     |                |
| V805-000010         | 11 - 2         |                     |                |                     |                |
| V805-000100         | 6 - 13         |                     |                |                     |                |
| V805-000130         | 1 - 18         |                     |                |                     |                |
| V805-000150         | 5 - 2          |                     |                |                     |                |
| V805-000150         | 11 - 9         |                     |                |                     |                |
| V805-000170         | 2 - 7          |                     |                |                     |                |
| V805-000170         | 6 - 10         |                     |                |                     |                |
| V805-000190         | 9 - 2          |                     |                |                     |                |
| V805-000210         | 3 - 4          |                     |                |                     |                |
| V805-000220         | 3 - 18         |                     |                |                     |                |
| V805-000240         | 11 - 5         |                     |                |                     |                |
| V805-000320         | 9 - 10         |                     |                |                     |                |
| V806-000140         | 1 - 3          |                     |                |                     |                |
| X041-000500         | 2 - 1          |                     |                |                     |                |
| X412-000650         | 2 - 2          |                     |                |                     |                |
| X425-000850         | 2 - 3          |                     |                |                     |                |
| X495-000560         | 12 - 3         |                     |                |                     |                |
| X502-000890         | 5 - 17         |                     |                |                     |                |
| X505-002030         | 11 - 3         |                     |                |                     |                |
| X505-002310         | 9 - 11         |                     |                |                     |                |
| X532-000740         | 11 - 24        |                     |                |                     |                |
| X543-004330         | 5 - 18         |                     |                |                     |                |

# YAMABIKO CORPORATION

7-2 SUEHIROCHO 1-CHOME, OHME, TOKYO 198-8760, JAPAN  
PHONE: 81-428-32-6118. FAX: 81-428-32-6145.



**ECHO**®

-15C  
No. 06-116