



PARTS CATALOG

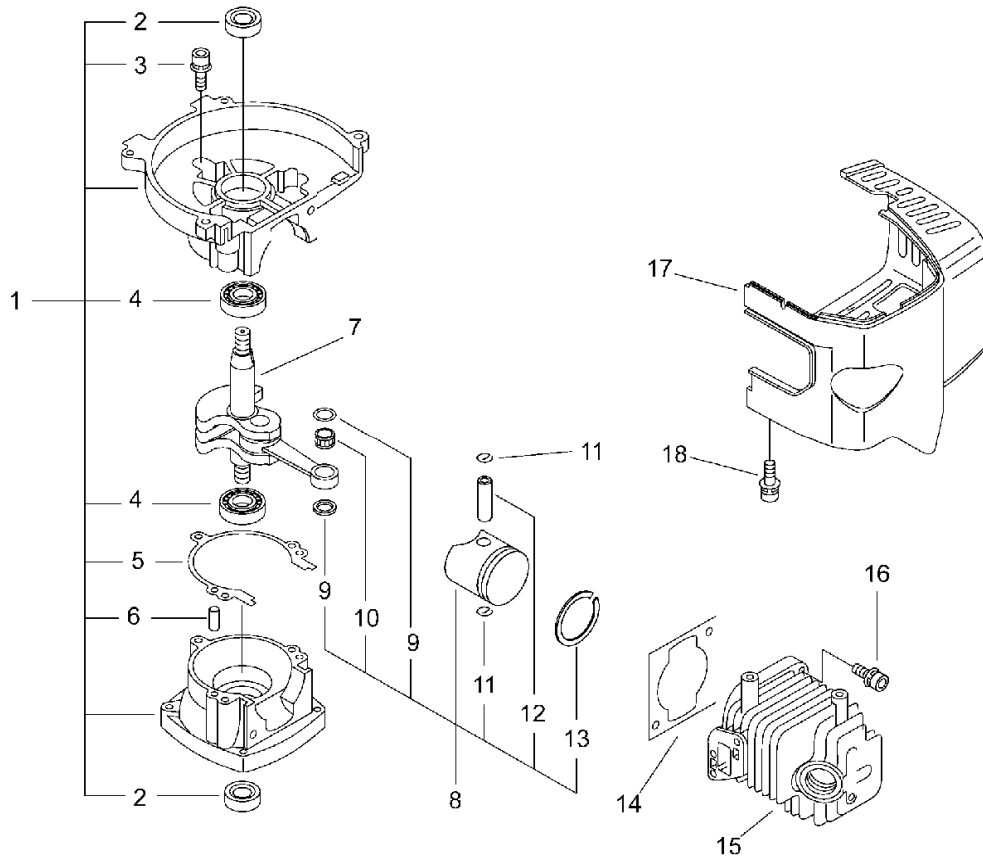
HEDGE TRIMMER

HCR-1510(36)

36006599 -

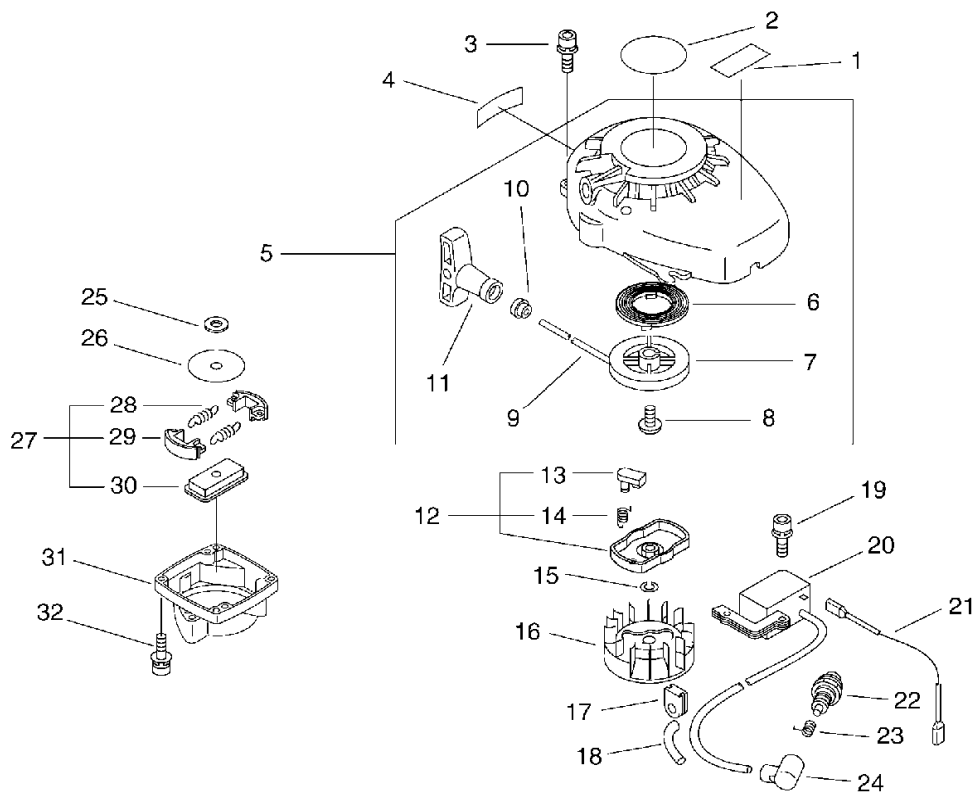
P014-000080-10Gb

1. CYLINDER, CRANKCASE, PISTON



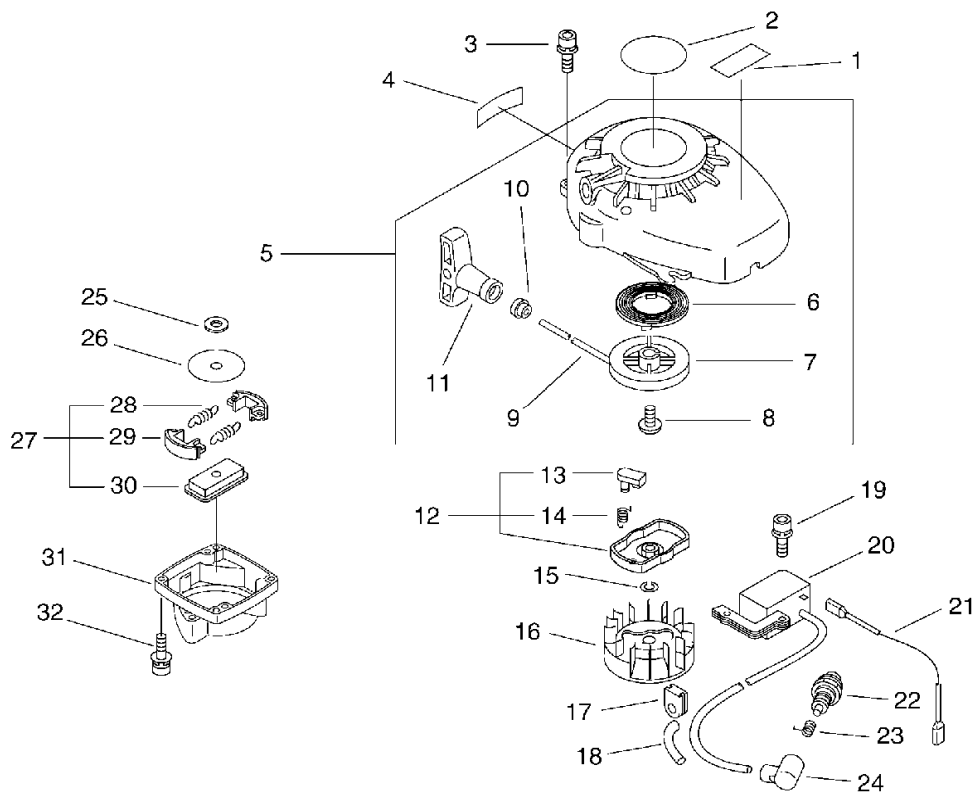
KEY	LV	PART NUMBER	Q'TY	DESCRIPTION	REMARKS	NOTE1	NOTE2
1		100204-05361	1	CRANKCASE KIT			
2	+	100212-42031	2	OILSEAL	ISCD 12*22*4.5		
3	+	900162-05028	3	BOLT, H.S. 5*28	5*28 W,SW		
4	+	94035-36201	2	BEARING BALL	6201X3JR2C3		
5	+	100242-42030	1	GASKET, CRANKCASE			
6	+	100215-03930	2	PIN, DOWEL			
7		A011-000421	1	CRANKSHAFT,ASY			
8		P021-007772	1	PISTON KIT			
9	+	100014-08960	2	SPACER, PISTON PIN			
10	+	100113-05930	1	BEARING, NEEDLE	8*12*8		
11	+	100015-04630	2	CIRCLIP, PISTON PIN			
12	+	100013-11520	1	PIN, PISTON			
13	+	A101-000090	1	RING,PISTON			
14		V100-000160	1	GASKET,CYL			
15		A130-000531	1	CYLINDER			
16		900162-05022	2	BOLT, H.S. 5*22	5*22 W,SW		
17		P021-009670	1	COVER,CYLINDER ASY			
18		900162-04018	2	BOLT, H.S. 4*18	4*18 W,SW		

2. STARTER, MAGNETO, CLUTCH



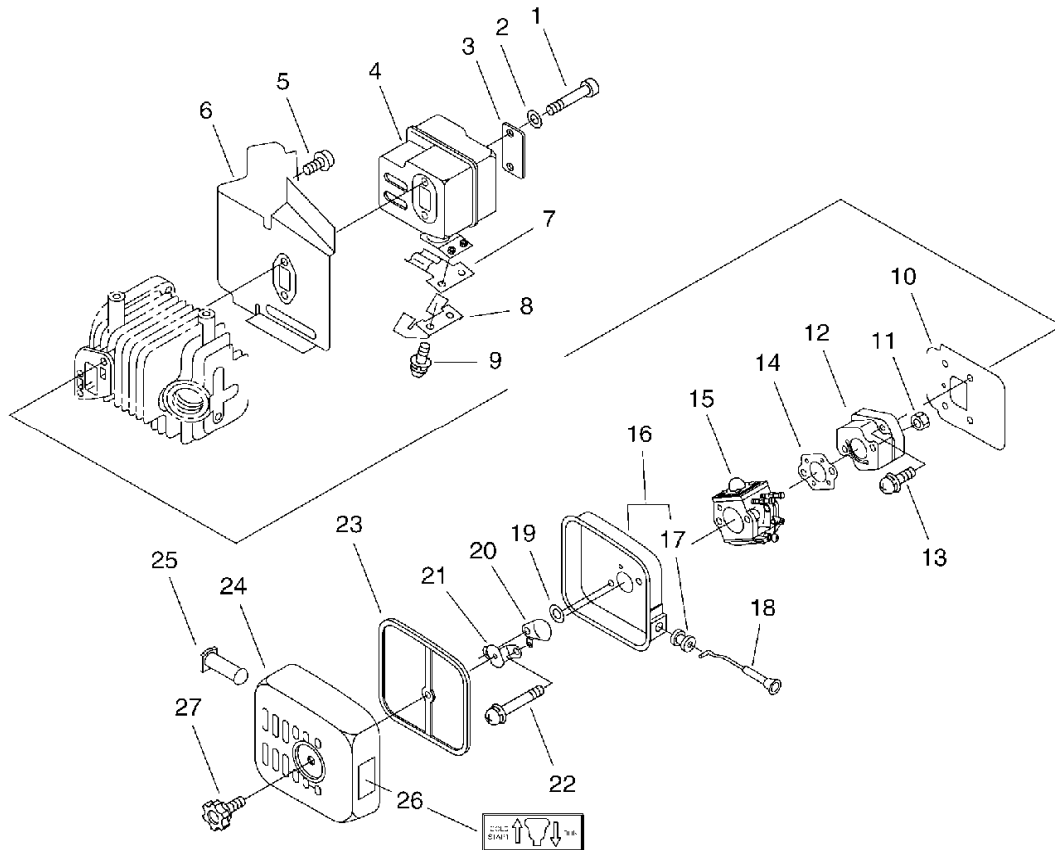
KEY	LV	PART NUMBER	Q'TY	DESCRIPTION	REMARKS	NOTE1	NOTE2
1		X503-008860	1	LABEL,MODEL	HCR-1510		
2		X502-000330	1	LABEL,ECHO	ECHO		
3		900162-04016	4	BOLT, H.S. 4*16	4*16 W,SW		
4		890123-13360	1	LABEL, CAUTION			
5		177200-05363	1	STARTER ASSEMBLY			
6	+	177220-42030	1	SPRING, REWIND			
7	+	177215-44430	1	DRUM, STARTER			
8	+	177236-44330	1	SCREW			
9	+	177226-05530	1	ROPE, STARTER	3*890		
10	+	177227-42030	1	GUIDE, ROPE			
11	+	177228-06530	1	GRIP, STARTER			
12		177202-44331	1	PAWL ASM., STARTER			
13	+	177218-44330	2	PAWL, STARTER	BLACK		
14	+	177234-42030	2	SPRING, RETURN			
15		900605-00008	1	WASHER, SPRING 8	8		
16		A409-000150	1	ROTOR,MAGNETO			
17		156110-04920	1	BUSHING			
18		V475-002200	1	TUBE			
19		91113-04020	2	BOLT	CM-4*20 SW,W		
20		A411-000171	1	COIL,IGNITION			
21		V485-000610	1	LEAD	L=220		
22		159010-10230	1	PLUG, SPARK (BPMR-7A)	BPMR-7A		
23		159011-03432	1	COIL, SPARK PLUG			
24		159012-03433	1	CAP, SPARK PLUG			
25		175014-05360	1	WASHER, CLUTCH	8.2*19*3.2		
26		175019-04920	1	PLATE, CLUTCH			

2. STARTER, MAGNETO, CLUTCH



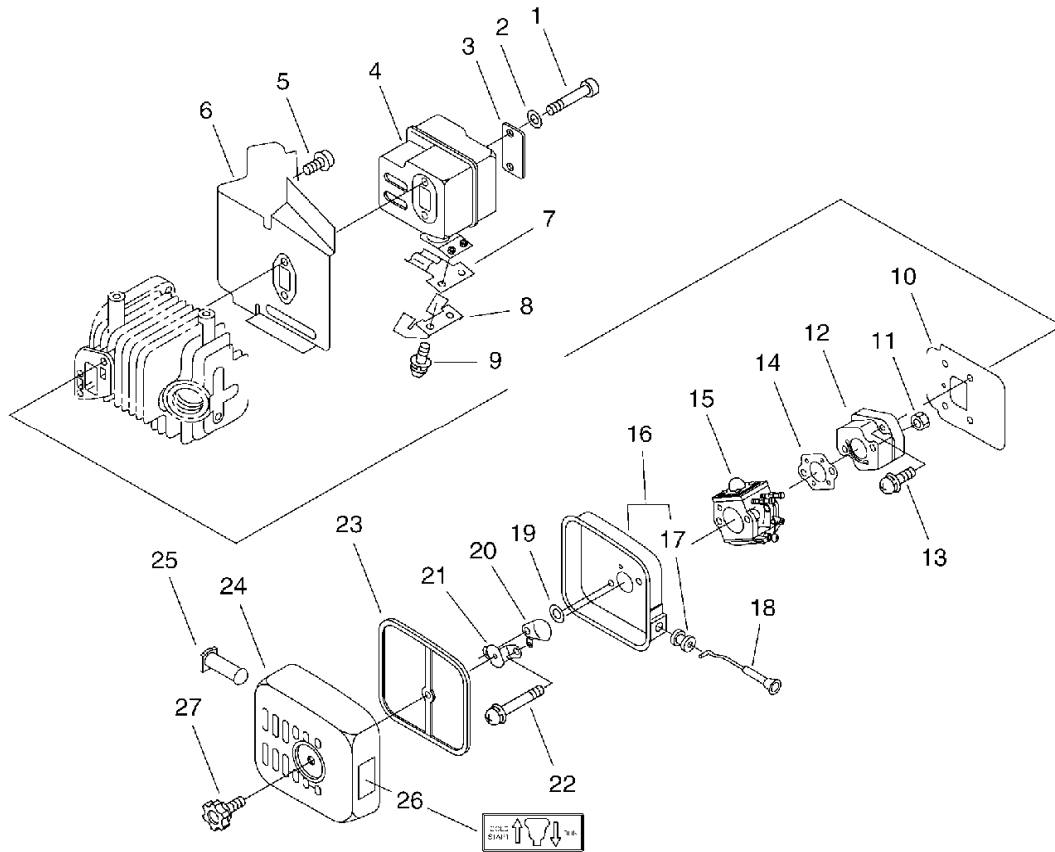
KEY	LV	PART NUMBER	Q'TY	DESCRIPTION	REMARKS	NOTE1	NOTE2
27		175000-06560	1	CLUTCH ASSY			
28	+	175018-05960	2	SPRING, CLUTCH			
29	+	175009-05131	2	SHOE, CLUTCH			
30	+	175016-04920	1	HUB, CLUTCH			
31		A570-000130	1	CASE, CLUTCH			
32		900162-04018	2	BOLT, H.S. 4*18	4*18 W,SW		

3. AIR CLEANER, CARBURETOR, MUFFLER



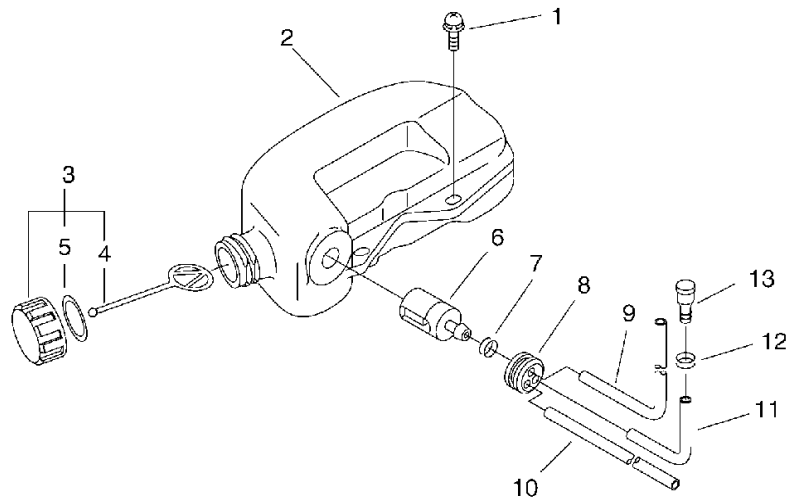
KEY	LV	PART NUMBER	Q'TY	DESCRIPTION	REMARKS	NOTE1	NOTE2
1		900105-05070	2	BOLT, H.S. 5*70	5*70		
2		900600-00005	2	WASHER 5	5		
3		V150-000371	1	PLATE, EYE			
4		A300-000600	1	MUFFLER, EXHAUST			
5		91107-04008	1	BOLT HSH FLANGE	4*8		
6		V104-000410	1	GASKET, EXHAUST			
7		A313-000740	1	GUIDE, EXHAUST			
8		A313-000750	1	GUIDE, EXHAUST	T:0.8		
9		900242-04010	2	SCREW 4*10	4*10		
10		130010-42032	1	GASKET, INTAKE			
11		900500-00005	2	NUT 5	5		
12		130017-42031	1	INSULATOR, INTAKE			
13		900238-05020	2	SCREW 5*20	5*20		
14		130016-42031	1	GASKET, INTAKE			
15		125200-13125	1	CARBURETOR	C1U-K54A		
NA		125329-39030	1	LIMITER, MIXTURE			
16		130301-51730	1	CASE, AIR CLEANER			
17	+	178810-05230	1	GROMMET			
18		178510-51730	1	ROD, CHOKE			
19		178516-00830	1	SPACER	5.2*8*0.8T		
20		178515-05060	1	SHUTTER, CHOKE			
21		129011-52131	1	PLATE			
22		900242-05057	2	SCREW 5*57	5*57		
23		130310-51830	1	FILTER, AIR			
24		A232-000041	1	LID, CLEANER			
25		V141-000010	1	GROMMET, PLUG			

3. AIR CLEANER, CARBURETOR, MUFFLER



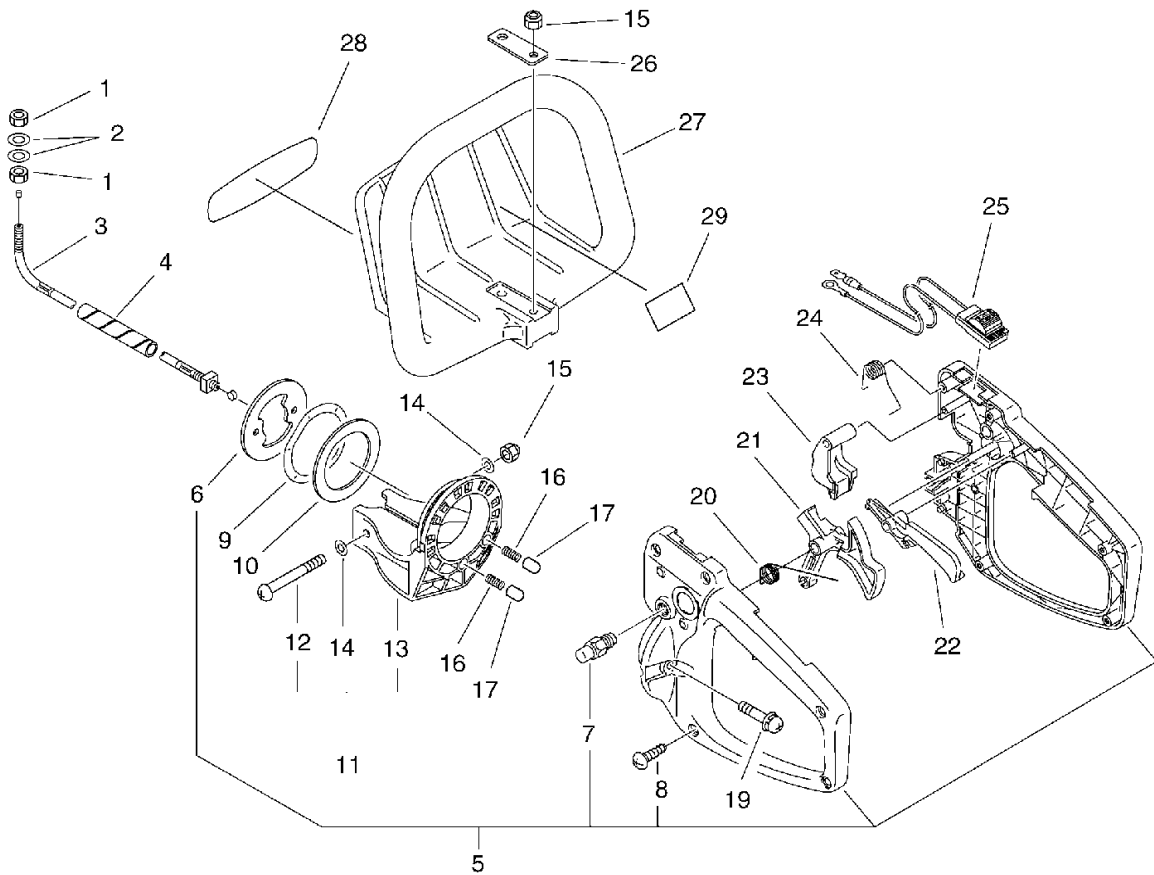
KEY	LV	PART NUMBER	Q'TY	DESCRIPTION	REMARKS	NOTE1	NOTE2
26		X506-000070	1	LABEL,CHOKE			
27		130406-52131	1	KNOB, FASTENER			

4. FUEL TANK



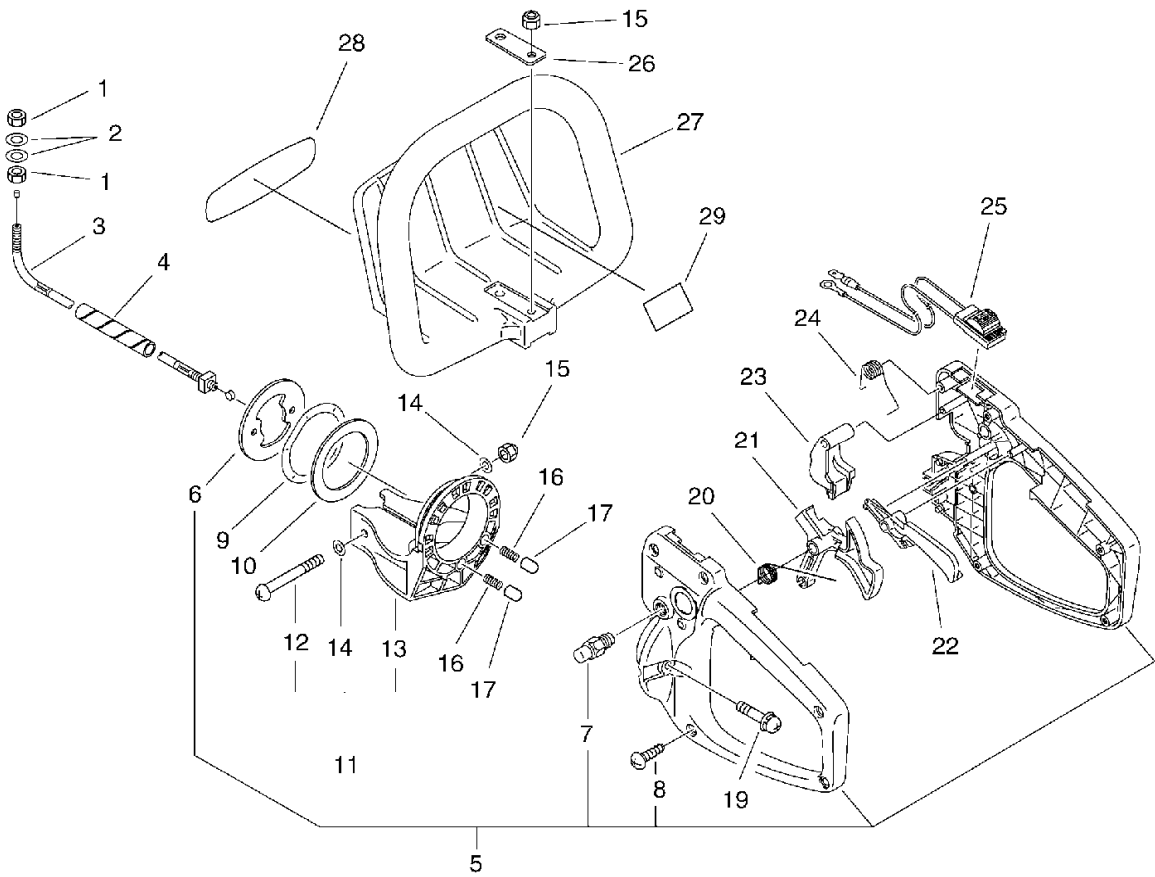
KEY	LV	PART NUMBER	Q'TY	DESCRIPTION	REMARKS	NOTE1	NOTE2
1		900239-05016	2	SCREW 5*16	5*16		
2		A350-000272	1	TANK,FUEL			
3		131004-08960	1	CAP ASSY, FUEL			
NA	+	131017-55830	1	CAP, FUEL TANK			
4	+	131051-52430	1	CONNECTOR, CAP	80L		
5	+	131016-55830	1	GASKET, FUEL CAP			
6		131205-07320	1	STRAINER, FUEL			
7		132013-09820	1	CLIP	6MM		
8		132115-46730	1	GROMMET, FUEL			
9		V470-000580	1	PIPE	3*5*195		
10		132010-40830	1	PIPE 3* 6* 75	3*6*75 YL		
11		V471-001200	1	PIPE	3*5*70 NBR		
12		130111-00530	1	CLIP	5.5		
13		131300-56430	1	VALVE, CHECK			

5. HANDLE



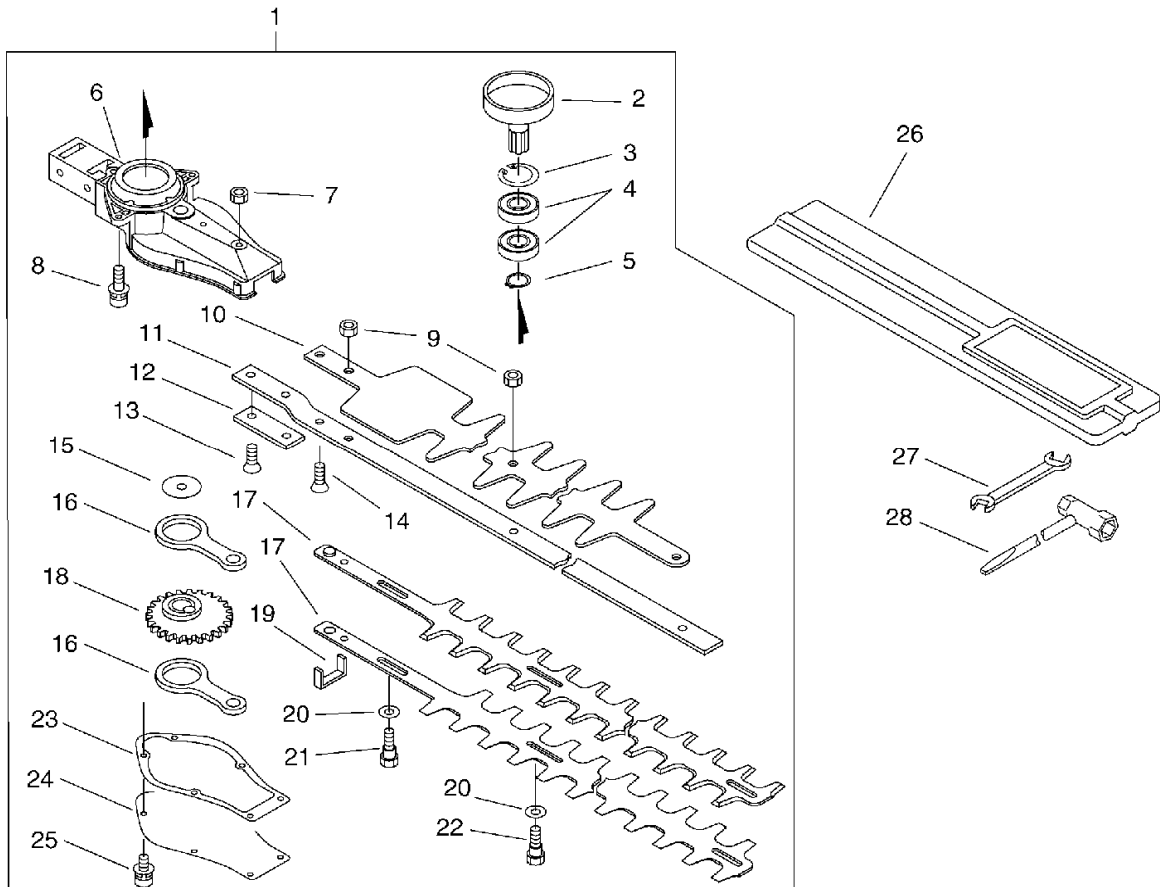
KEY	LV	PART NUMBER	Q'TY	DESCRIPTION	REMARKS	NOTE1	NOTE2
1		900502-00006	2	NUT 6 (3N)	3N6		
2		900600-00006	2	WASHER 6	6		
3		178001-13360	1	CABLE, THROTTLE			
4		V475-003620	2	TUBE	8*11*65		
5		351101-13360	1	HANDLE SET, REAR			
6	+	351313-13361	1	BRACKET, HANDLE			
7	+	178302-13360	1	LATCH ASY			
8	+	900256-04016	5	SCREW 4*16			
9		178129-13361	1	WASHER			
10		689025-13361	1	WASHER,CIRCUAR			
11		351308-13360	1	FIXTURE, HANDLE			
12	+	900220-05045	2	SCREW 5*45	5*45		
13	+	351312-13361	1	BRACKET, HANDLE			
14		900600-00005	4	WASHER 5	5		
15		900560-00005	2	NUT, LOCK 5	5		
16		178043-13360	2	SPRING			
17		605611-13360	2	PIN			
19		900238-05030	2	SCREW 5*30	5*30		
20		178013-13660	1	SPRING, TORSION			
21		178010-13361	1	TRIGGER, THROTTLE			
22		178012-13360	1	LOCKOUT, THROTTLE			
23		351648-13360	1	STOPPER, HANDLE			
24		178043-13660	1	SPRING, TORSION			
25		163400-13360	1	SWITCH, ON OFF			
26		351611-05360	1	WASHER			
27		351610-05360	1	HANDLE, FRONT			

5. HANDLE



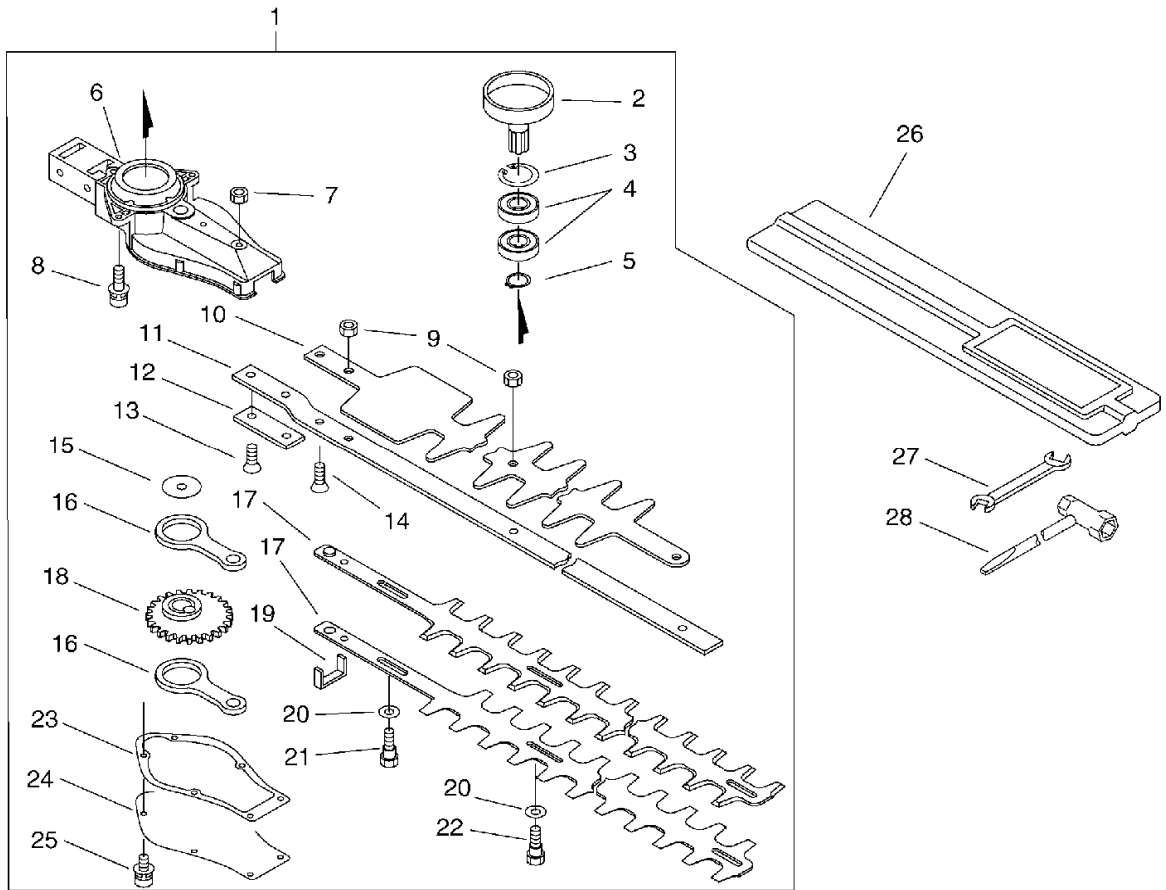
KEY	LV	PART NUMBER	Q'TY	DESCRIPTION	REMARKS	NOTE1	NOTE2
28		X502-000430	1	LABEL,ECHO			
29		X505-002030	1	LABEL,CAUTION	37*35		

6. GEAR CASE, CUTTER

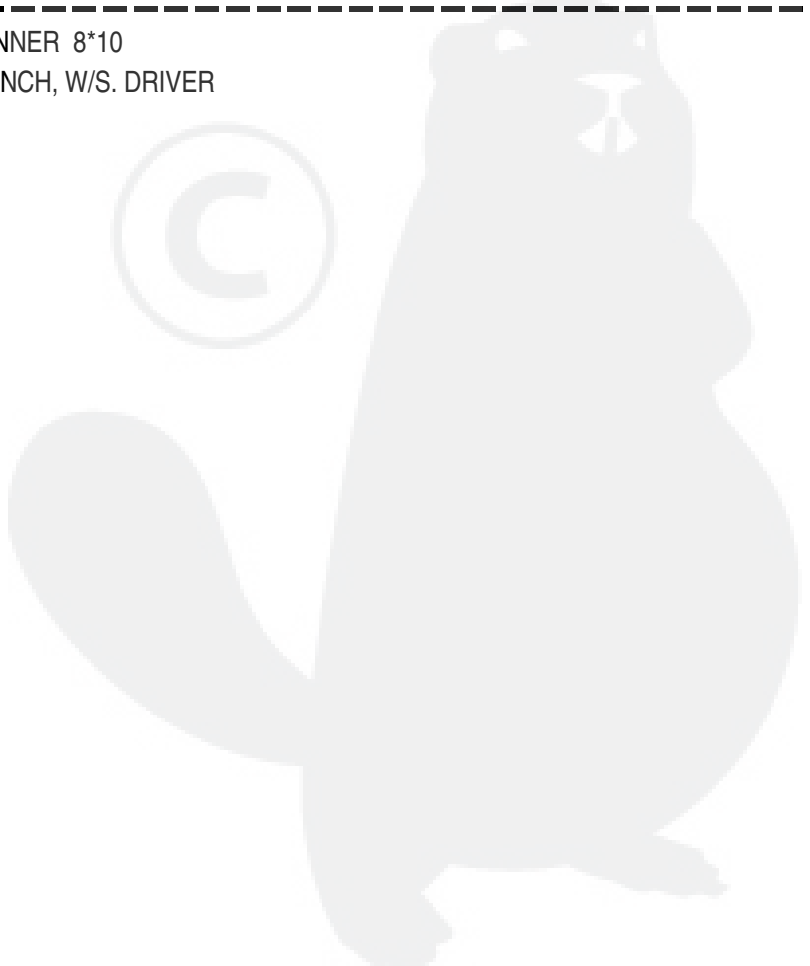
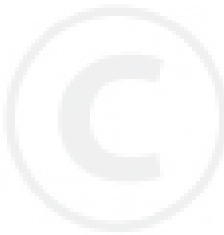


KEY	LV	PART NUMBER	Q'TY	DESCRIPTION	REMARKS	NOTE1	NOTE2
1		P021-009620	1	CASE,GEAR ASY			
2	+	A556-000380	1	DRUM, CLUTCH			
3	+	900702-00035	1	CIRCLIP 35	CR-35		
4	+	900804-06003	2	BEARING, BALL 6003	6003ZZ		
5	+	900701-00016	1	CIRCLIP 16	CS-16		
6	+	P021-009610	1	CASE,GEAR			
7	+	900500-00006	2	NUT 6	6		
8	+	900162-05020	3	BOLT, H.S. 5*20	5*20 W,SW		
9	+	433022-06460	4	NUT			
10	+	699125-06560	1	BLUNT	539L		
11	+	699110-06960	1	BAR, FRAME			
12	+	610440-04560	1	HOLDER, FRAME			
13	+	900212-06025	2	SCREW 6*25	+SF6*25		
14	+	900212-05030	1	SCREW (5*30*P0.8)	+SF5*30		
15	+	610350-04560	1	WASHER			
16	+	C532-000130	2	ROD, CONNECTING			
17	+	X411-000280	2	CUTTER			
18	+	V650-000260	1	GEAR,SPUR			
19	+	610425-04560	1	SEAL			
20	+	699118-04560	4	WASHER			
21	+	699115-05360	1	BOLT			
22	+	699115-04660	3	BOLT 6	6*18L		
23	+	610414-05360	1	GASKET, GEAR HOUSING			
24	+	610411-05361	1	LID, GEARCASE			
25	+	900162-04010	6	BOLT, H.S. 4*10	4*10 W,SW		
26		X495-000051	1	SCABBARD,BLADE			

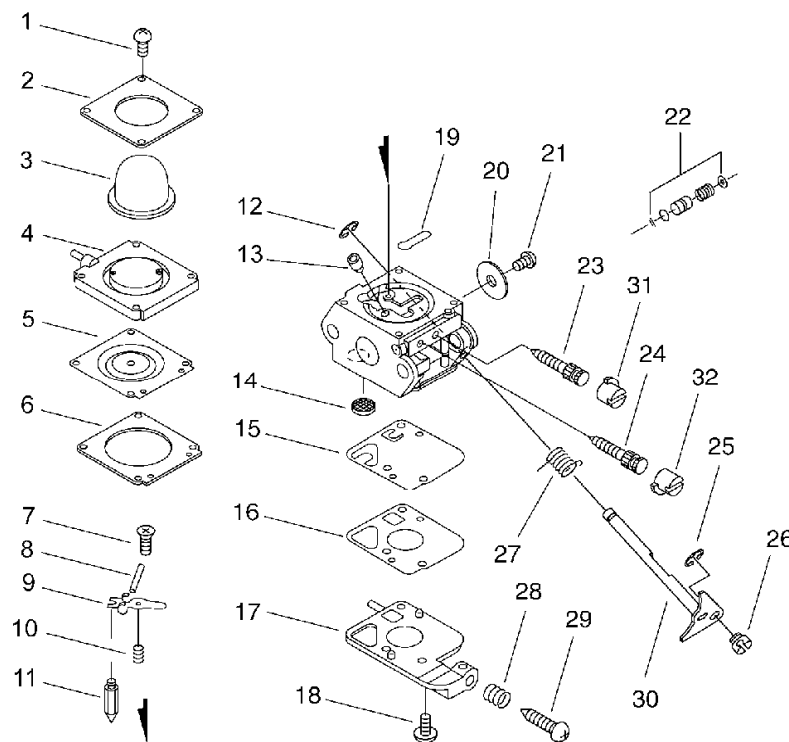
6. GEAR CASE, CUTTER



KEY	LV	PART NUMBER	Q'TY	DESCRIPTION	REMARKS	NOTE1	NOTE2
27		895112-00330	1	SPANNER 8*10			
28		895410-03930	1	WRENCH, W/S. DRIVER			

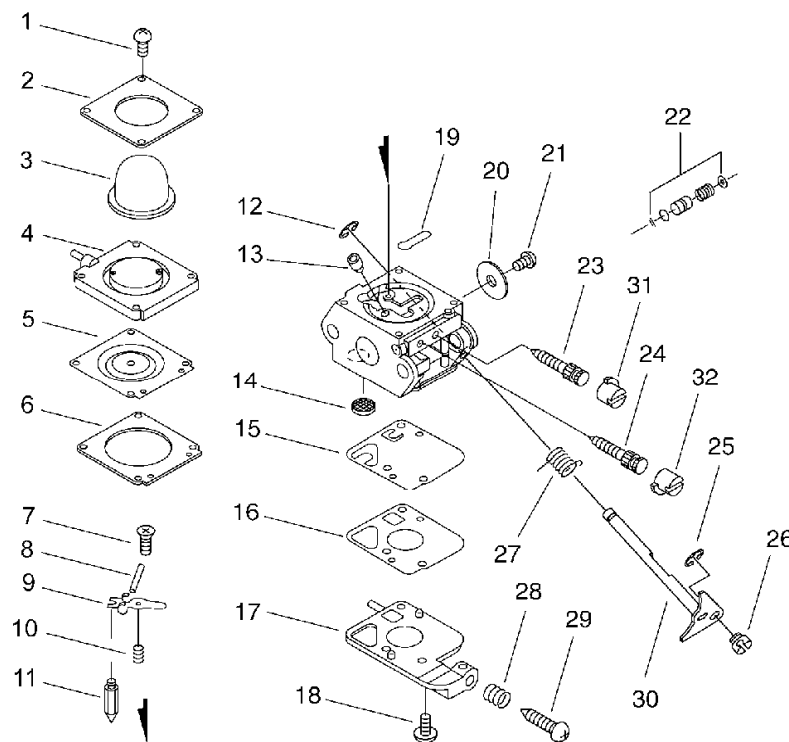


7. CARBURETOR



KEY	LV	PART NUMBER	Q'TY	DESCRIPTION	REMARKS	NOTE1	NOTE2
		125200-13125	1	CARBURETOR	C1U-K54A		
1	+	P005-000980	4	SCREW			
2	+	P005-000620	1	RETAINER			
3	+	125381-08660	1	PUMP, PRIMING			
4	+	P005-000970	1	BASE, PRIMER			
5	+	125341-07360	1	DIAPHRAGM			
6	+	125340-20560	1	GASKET, DIAPHRAGM			
7	+	125339-42030	1	SCREW			
8	+	125338-13930	1	PIN, METERING ARM			
9	+	125323-42030	1	LEVER, METERING			
10	+	125322-42030	1	SPRING, COIL			
11	+	125337-06960	1	VALVE, INLET NEEDLE			
12	+	125327-15130	1	CLIP			
13	+	125376-13120	1	NOZZLE, CHECK VALVE			
14	+	125326-42030	1	STRAINER			
15	+	125312-12820	1	DIAPHRAGM, FUEL PUMP			
16	+	125325-13310	1	GASKET, PUMP			
17	+	125324-12820	1	COVER, PUMP			
18	+	125310-12820	2	SCREW			
19	+	125345-15130	1	PLUG, WELCH			
20	+	125316-49030	1	VALVE, THROTTLE			
21	+	125314-13930	1	SCREW	3*4		
22	+	P005-002020	1	PUMP KIT, ACC			
23	+	125318-13120	1	SCREW, IDLE NEEDLE			
24	+	125320-13310	1	NEEDLE, HIGH SPEED			
25	+	125327-13930	1	CLIP			

7. CARBURETOR



KEY	LV	PART NUMBER	Q'TY	DESCRIPTION	REMARKS	NOTE1	NOTE2
26	+	125372-42030	1	SWIVEL			
27	+	125313-42030	1	SPRING, THRT. RETURN			
28	+	125333-06960	1	SPRING, IDLE ADJUSTER			
29	+	125334-06960	1	SCREW, THROTTLE ADJUST			
30	+	P005-001070	1	SHAFT, THROTTLE			
31	+	125329-09860	1	LIMITER, MIXTURE			
32	+	125329-39030	1	LIMITER, MIXTURE			

8. DIAPHRAGM/GASKET KIT

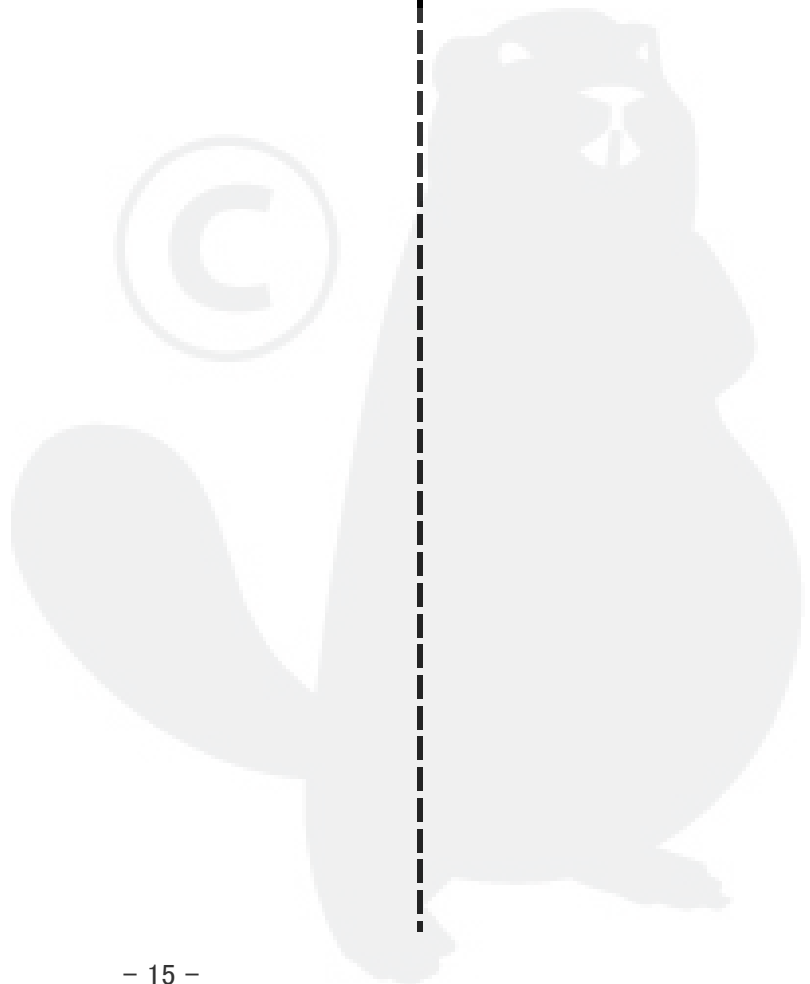
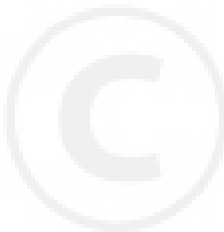
KEY	LV	PART NUMBER	Q'TY	DESCRIPTION	REMARKS	NOTE1	NOTE2
		125303-20560	1	GASKET/DIAPHRAGM KIT			
1	+	125341-07360	1	DIAPHRAGM			
2	+	125340-20560	1	GASKET, DIAPHRAGM			
3	+	125312-12820	1	DIAPHRAGM, FUEL PUMP			
4	+	125325-13310	1	GASKET, PUMP			

Index

Patrs Number	Key No.	Patrs Number	Key No.	Patrs Number	Key No.
100013-11520	1 - 12	130310-51830	3 - 23	351611-05360	5 - 26
100014-08960	1 - 9	130406-52131	3 - 27	351648-13360	5 - 23
100015-04630	1 - 11	131004-08960	4 - 3	433022-06460	6 - 9
100113-05930	1 - 10	131016-55830	4 - 5	605611-13360	5 - 17
100204-05361	1 - 1	131017-55830	4 - NA	610350-04560	6 - 15
100212-42031	1 - 2	131051-52430	4 - 4	610411-05361	6 - 24
100215-03930	1 - 6	131205-07320	4 - 6	610414-05360	6 - 23
100242-42030	1 - 5	131300-56430	4 - 13	610425-04560	6 - 19
125200-13125	3 - 15	132010-40830	4 - 10	610440-04560	6 - 12
125200-13125	7 -	132013-09820	4 - 7	689025-13361	5 - 10
125303-20560	8 -	132115-46730	4 - 8	699110-06960	6 - 11
125310-12820	7 - 18	156110-04920	2 - 17	699115-04660	6 - 22
125312-12820	7 - 15	159010-10230	2 - 22	699115-05360	6 - 21
125312-12820	8 - 3	159011-03432	2 - 23	699118-04560	6 - 20
125313-42030	7 - 27	159012-03433	2 - 24	699125-06560	6 - 10
125314-13930	7 - 21	163400-13360	5 - 25	890123-13360	2 - 4
125316-49030	7 - 20	175000-06560	2 - 27	895112-00330	6 - 27
125318-13120	7 - 23	175009-05131	2 - 29	895410-03930	6 - 28
125320-13310	7 - 24	175014-05360	2 - 25	900105-05070	3 - 1
125322-42030	7 - 10	175016-04920	2 - 30	900162-04010	6 - 25
125323-42030	7 - 9	175018-05960	2 - 28	900162-04016	2 - 3
125324-12820	7 - 17	175019-04920	2 - 26	900162-04018	1 - 18
125325-13310	7 - 16	177200-05363	2 - 5	900162-04018	2 - 32
125325-13310	8 - 4	177202-44331	2 - 12	900162-05020	6 - 8
125326-42030	7 - 14	177215-44430	2 - 7	900162-05022	1 - 16
125327-13930	7 - 25	177218-44330	2 - 13	900162-05028	1 - 3
125327-15130	7 - 12	177220-42030	2 - 6	900212-05030	6 - 14
125329-09860	7 - 31	177226-05530	2 - 9	900212-06025	6 - 13
125329-39030	3 - NA	177227-42030	2 - 10	900220-05045	5 - 12
125329-39030	7 - 32	177228-06530	2 - 11	900238-05020	3 - 13
125333-06960	7 - 28	177234-42030	2 - 14	900238-05030	5 - 19
125334-06960	7 - 29	177236-44330	2 - 8	900239-05016	4 - 1
125337-06960	7 - 11	178001-13360	5 - 3	900242-04010	3 - 9
125338-13930	7 - 8	178010-13361	5 - 21	900242-05057	3 - 22
125339-42030	7 - 7	178012-13360	5 - 22	900256-04016	5 - 8
125340-20560	7 - 6	178013-13660	5 - 20	900500-00005	3 - 11
125340-20560	8 - 2	178043-13360	5 - 16	900500-00006	6 - 7
125341-07360	7 - 5	178043-13660	5 - 24	900502-00006	5 - 1
125341-07360	8 - 1	178129-13361	5 - 9	900560-00005	5 - 15
125345-15130	7 - 19	178302-13360	5 - 7	900600-00005	3 - 2
125372-42030	7 - 26	178510-51730	3 - 18	900600-00005	5 - 14
125376-13120	7 - 13	178515-05060	3 - 20	900600-00006	5 - 2
125381-08660	7 - 3	178516-00830	3 - 19	900605-00008	2 - 15
129011-52131	3 - 21	178810-05230	3 - 17	900701-00016	6 - 5
130010-42032	3 - 10	351101-13360	5 - 5	900702-00035	6 - 3
130016-42031	3 - 14	351308-13360	5 - 11	900804-06003	6 - 4
130017-42031	3 - 12	351312-13361	5 - 13	91107-04008	3 - 5
130111-00530	4 - 12	351313-13361	5 - 6	91113-04020	2 - 19
130301-51730	3 - 16	351610-05360	5 - 27	94035-36201	1 - 4

Index

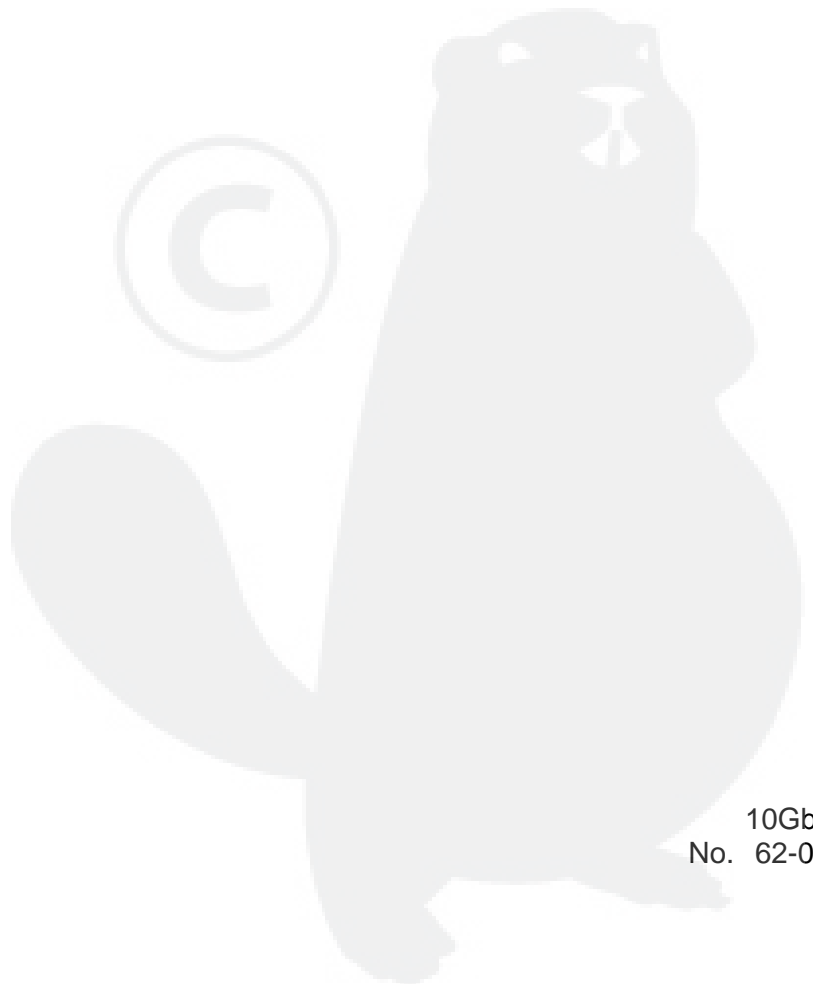
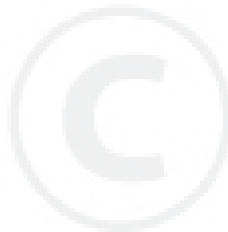
Patrs Number	Key No.	Patrs Number	Key No.	Patrs Number	Key No.
A011-000421	1 - 7				
A101-000090	1 - 13				
A130-000531	1 - 15				
A232-000041	3 - 24				
A300-000600	3 - 4				
A313-000740	3 - 7				
A313-000750	3 - 8				
A350-000272	4 - 2				
A409-000150	2 - 16				
A411-000171	2 - 20				
A556-000380	6 - 2				
A570-000130	2 - 31				
C532-000130	6 - 16				
P005-000620	7 - 2				
P005-000970	7 - 4				
P005-000980	7 - 1				
P005-001070	7 - 30				
P005-002020	7 - 22				
P021-007772	1 - 8				
P021-009610	6 - 6				
P021-009620	6 - 1				
P021-009670	1 - 17				
V100-000160	1 - 14				
V104-000410	3 - 6				
V141-000010	3 - 25				
V150-000371	3 - 3				
V470-000580	4 - 9				
V471-001200	4 - 11				
V475-002200	2 - 18				
V475-003620	5 - 4				
V485-000610	2 - 21				
V650-000260	6 - 18				
X411-000280	6 - 17				
X495-000051	6 - 26				
X502-000330	2 - 2				
X502-000430	5 - 28				
X503-008860	2 - 1				
X505-002030	5 - 29				
X506-000070	3 - 26				



YAMABIKO CORPORATION

7-2 SUEHIROCHO 1-CHOME, OHME, TOKYO 198-8760, JAPAN
PHONE: 81-428-32-6118. FAX: 81-428-32-6145.

ECHO[®]



10Gb
No. 62-045