



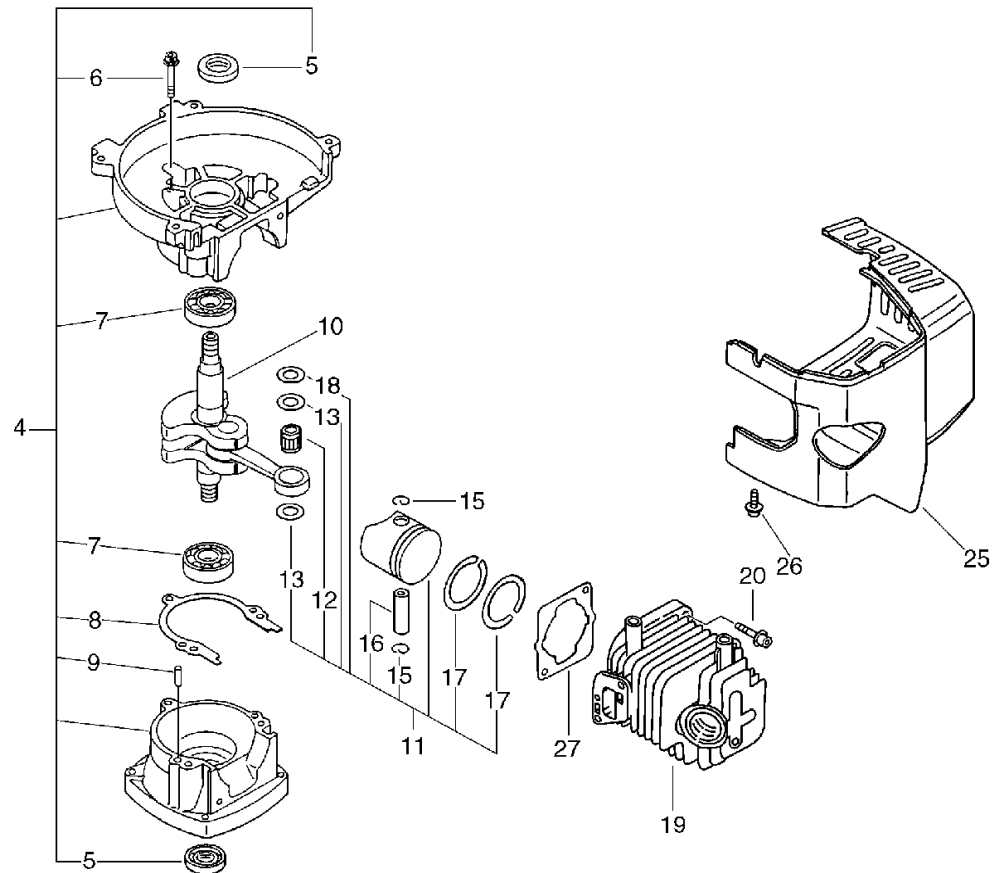
# **PARTS CATALOG**

## **HEDGE TRIMMER HCR-1500(36)**

**36007913 -**

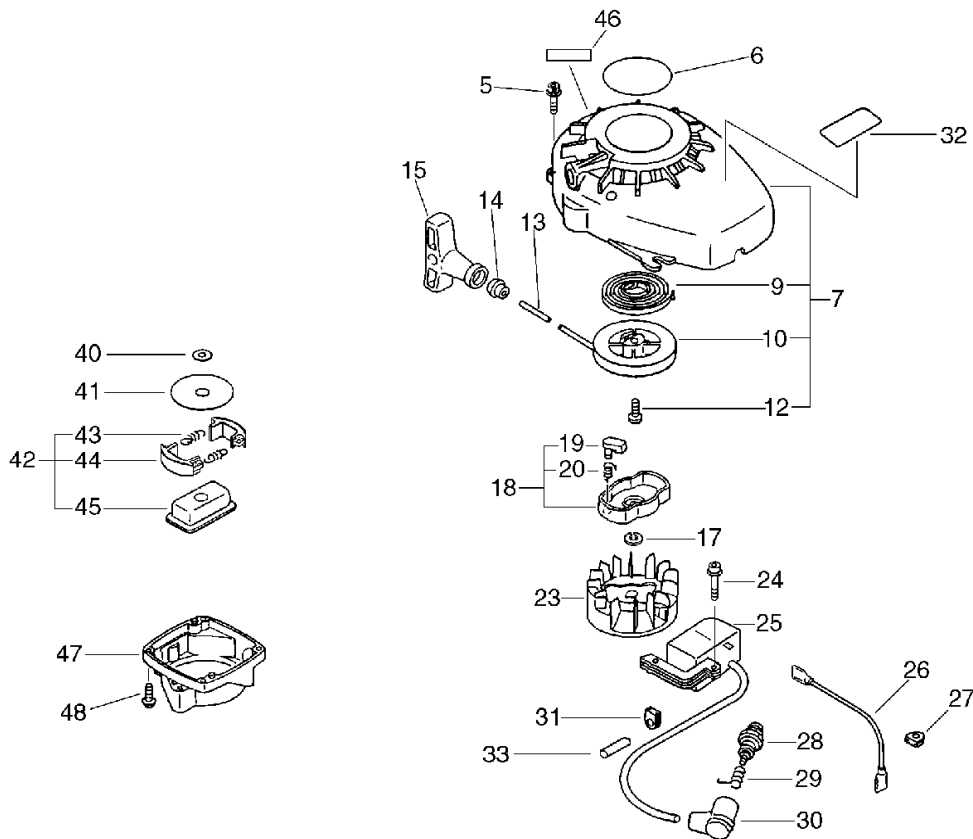
P014-000100-10Hb

## 1. CYLINDER, CRANKCASE, PISTON



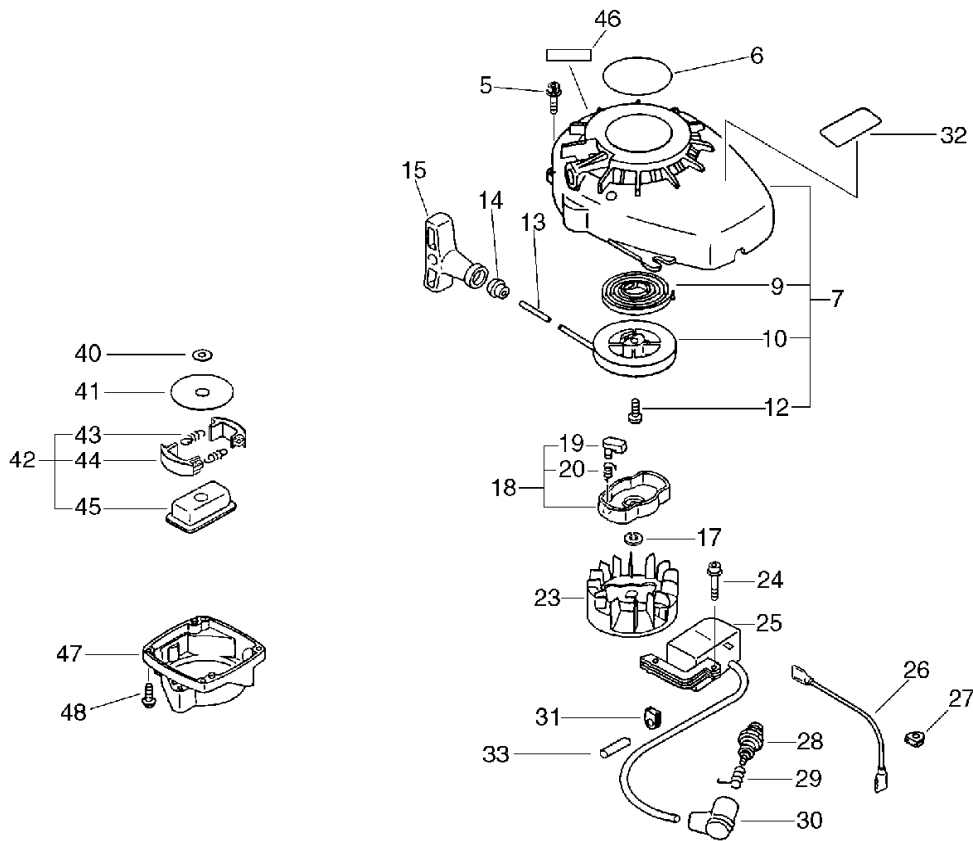
KEY	LV	PART NUMBER	Q'TY	DESCRIPTION	REMARKS	NOTE1	NOTE2
4		100204-05361	1	CRANKCASE KIT			
5	+	100212-42031	2	OILSEAL	ISCD 12*22*4.5		
6	+	900162-05028	3	BOLT, H.S. 5*28	5*28 W,SW		
7	+	94035-36201	2	BEARING BALL	6201X3JR2C3		
8	+	100242-42030	1	GASKET, CRANKCASE			
9	+	100215-03930	2	PIN, DOWEL			
10		100100-06564	1	CRANKSHAFT			
11		P021-001113	1	PISTON KIT			
12	+	100113-05930	1	BEARING, NEEDLE	8*12*8		
13	+	100014-08960	2	SPACER, PISTON PIN			
15	+	100015-04630	2	CIRCLIP, PISTON PIN			
16	+	100013-11520	1	PIN, PISTON			
17	+	A101-000000	2	RING, PISTON			
18	+	V306-000150	1	WASHER, CIRCULAR 8	8.2*13*0.8		
19		101011-06562	1	CYLINDER			
20		900162-05022	2	BOLT, H.S. 5*22	5*22 W,SW		
25		101506-05361	1	COVER, CYLINDER			
26		900162-04020	2	BOLT, H.S. 4*20	4*20 W,SW		
27		101010-44332	1	GASKET, CYL. BASE			

## 2. STARTER, MAGNETO, CLUTCH



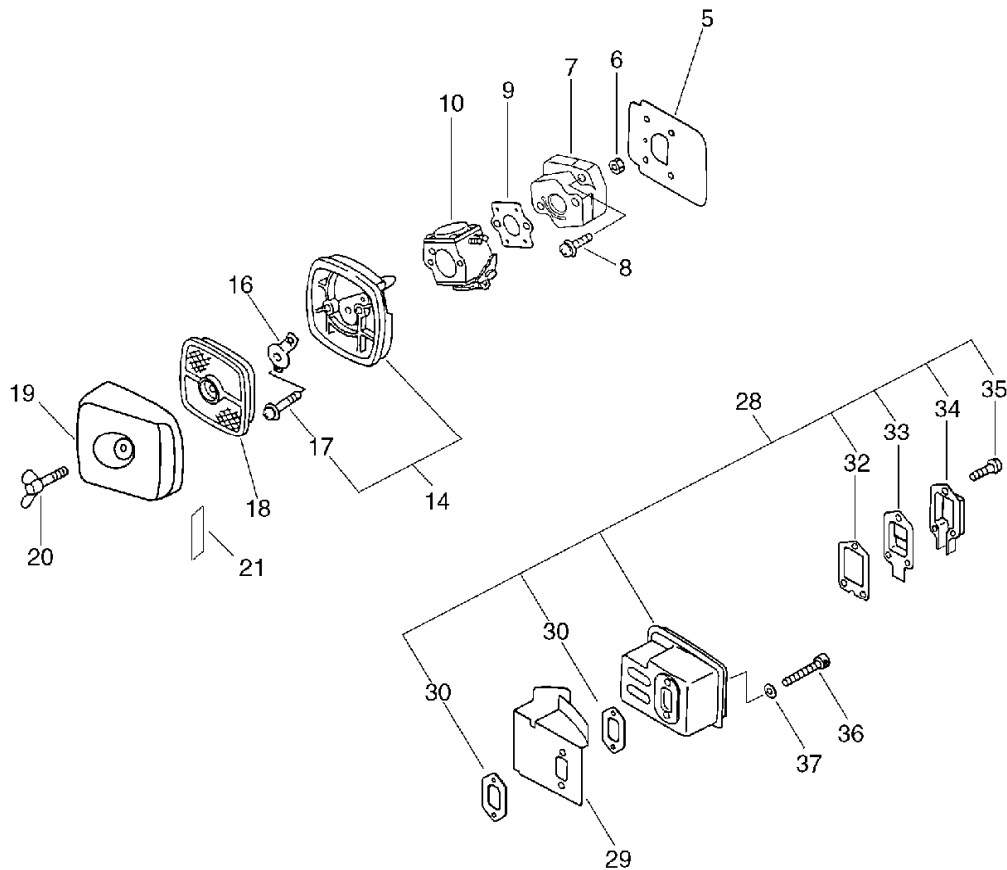
KEY	LV	PART NUMBER	Q'TY	DESCRIPTION	REMARKS	NOTE1	NOTE2
5		900162-04016	4	BOLT, H.S. 4*16	4*16 W,SW		
6		X502-000330	1	LABEL,ECHO	ECHO		
7		177200-05363	1	STARTER ASSEMBLY			
9	+	177220-42030	1	SPRING, REWIND			
10	+	177215-44430	1	DRUM, STARTER			
12	+	177236-44330	1	SCREW			
13	+	177226-05530	1	ROPE, STARTER	3*890		
14	+	177227-42030	1	GUIDE, ROPE			
15	+	177228-06530	1	GRIP, STARTER			
17		900605-00008	1	WASHER, SPRING 8	8		
18		177202-44331	1	PAWL ASM., STARTER			
19	+	177218-44330	1	PAWL, STARTER	BLACK		
20	+	177234-42030	1	SPRING, RETURN			
23		156801-05360	1	ROTOR, MAGNETO			
24		900162-04022	2	BOLT, H.S. 4*22	4*22 W,SW		
25		A411-000080	1	COIL,IGNITION			
26		162021-52830	1	LEAD	275L		
27		156114-04920	1	GROMMET			
28		159017-12330	1	PLUG, SPARK (RCJ-8Y)	RCJ-8Y		
29		159011-03432	1	COIL, SPARK PLUG			
30		159012-03433	1	CAP, SPARK PLUG			
31		156110-04920	1	BUSHING			
32		X503-008850	1	LABEL,MODEL	HCR-1500		
33		V475-001900	1	TUBE	7*8.6*30		
40		175014-05360	1	WASHER, CLUTCH	8.2*19*3.2		
41		175019-04920	1	PLATE, CLUTCH			

## 2. STARTER, MAGNETO, CLUTCH



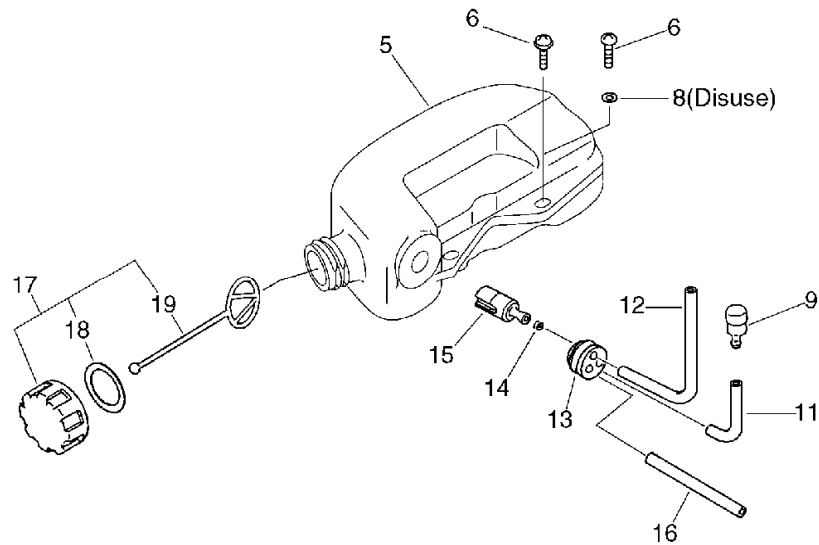
KEY	LV	PART NUMBER	Q'TY	DESCRIPTION	REMARKS	NOTE1	NOTE2
42		175000-06560	1	CLUTCH ASSY			
43	+	175018-05960	2	SPRING, CLUTCH			
44	+	175009-05131	2	SHOE, CLUTCH			
45	+	175016-04920	1	HUB, CLUTCH			
46		890123-13360	1	LABEL, CAUTION			
47		175055-05360	1	HOUSING, CLUTCH			
48		900162-04016	2	BOLT, H.S. 4*16	4*16 W,SW		

### 3. AIR CLEANER, CARBURETOR, MUFFLER



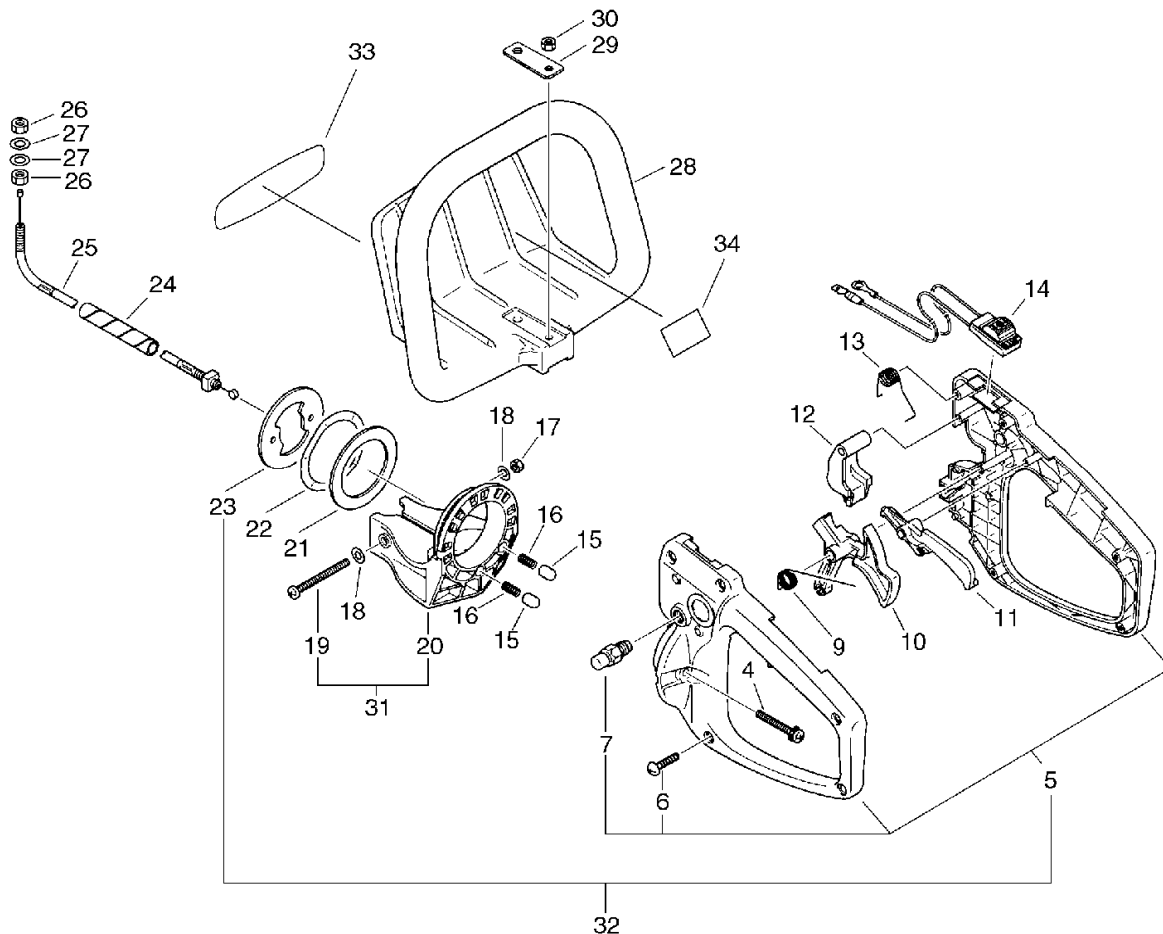
KEY	LV	PART NUMBER	Q'TY	DESCRIPTION	REMARKS	NOTE1	NOTE2
5		130010-42032	1	GASKET,INTAKE			
6		900500-00005	2	NUT 5	5		
7		130017-42031	1	INSULATOR, INTAKE			
8		900238-05020	2	SCREW 5*20	5*20		
9		130016-42031	1	GASKET, INTAKE			
10		125200-05964	1	CARBURETOR	C1U-K51		
14		P021-010350	1	CASE,CLEANER ASY			
17	+	900242-05065	2	SCREW 5*65	5*65		
16		129011-52730	1	PLATE, PREVENT			
18		130310-54130	1	FILTER, AIR			
18		A226-001410	1	ELEMENT,AIR FILTER			
19		130313-05863	1	LID, AIR CLEANER			
20		210417-52730	1	BOLT, WING	5*20		
21		890121-05360	1	LABEL, METERING			
29		145871-05360	1	COVER, MUFFLER			
28		145802-05361	1	MUFFLER ASY (SAM)			
30	+	V104-000160	2	GASKET,EXHAUST			
32	+	145866-42031	1	GASKET, MUFFLER LID			
33	+	145876-42030	1	LID, MUFFLER (B)			
34	+	A313-000010	1	GUIDE,EXH	ID#4000		
35	+	900242-04010	3	SCREW 4*10	4*10		
36		900105-05050	2	BOLT, H.S. 5*50	5*50		
37		900600-00005	2	WASHER 5	5		

## 4. FUEL TANK



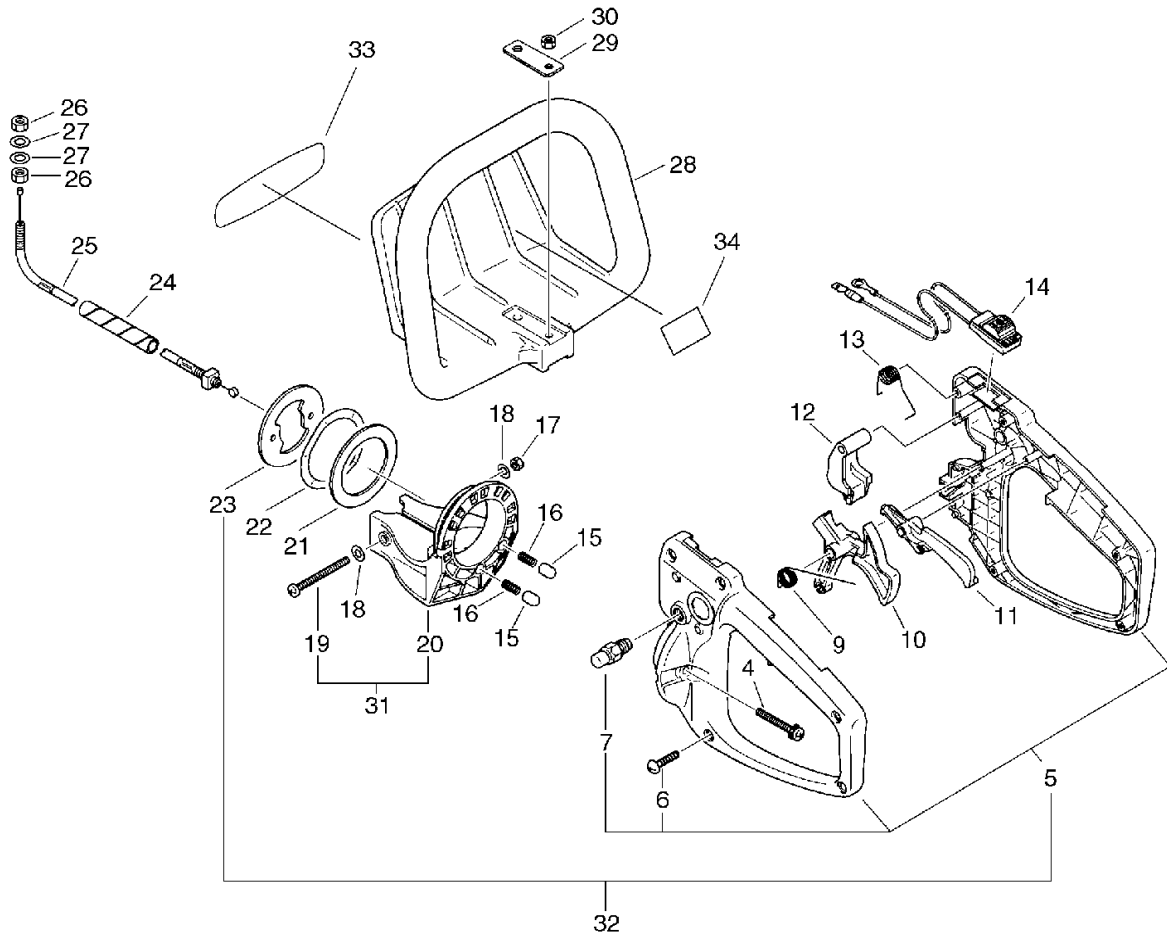
KEY	LV	PART NUMBER	Q'TY	DESCRIPTION	REMARKS	NOTE1	NOTE2
5		A350-000272	1	TANK,FUEL			
6		900239-05016	2	SCREW 5*16	5*16		
9		131300-56430	1	VALVE, CHECK			
11		V471-001200	1	PIPE	3*5*70 NBR		
12		V470-000580	1	PIPE	3*5*195		
13		132115-46730	1	GROMMET, FUEL			
14		132013-09820	1	CLIP	6MM		
15		131205-07320	1	STRAINER, FUEL			
16		132010-06460	1	PIPE 3*6*110	3*6*110 YL		
17		131004-08960	1	CAP ASSY, FUEL			
18	+	131016-55830	1	GASKET, FUEL CAP			
19	+	131051-52430	1	CONNECTOR, CAP	80L		

## 5. HANDLE



KEY	LV	PART NUMBER	Q'TY	DESCRIPTION	REMARKS	NOTE1	NOTE2
4		900238-05030	2	SCREW 5*30	5*30		
32		351101-13360	1	HANDLE SET, REAR			
5	+	351100-13361	1	HANDLE SET, REAR			
6	++	900256-04016	5	SCREW 4*16			
7	++	178302-13360	1	LATCH ASY			
23	+	351313-13361	1	BRACKET, HANDLE			
9		178013-13660	1	SPRING, TORSION			
10		178010-13361	1	TRIGGER, THROTTLE			
11		178012-13360	1	LOCKOUT, THROTTLE			
12		351648-13360	1	STOPPER, HANDLE			
13		178043-13660	1	SPRING, TORSION			
14		163400-13360	1	SWITCH, ON OFF			
15		605611-13360	2	PIN			
16		178043-13360	2	SPRING			
17		900560-00005	2	NUT, LOCK 5	5		
18		900600-00005	4	WASHER 5	5		
19	+	900220-05045	2	SCREW 5*45	5*45		
20	+	351312-13361	1	BRACKET, HANDLE			
21		689025-13361	1	WASHER, CIRCULAR			
22		178129-13361	1	WASHER			
24		178127-13361	1	TUBE	8*11*50		
25		178001-13360	1	CABLE, THROTTLE			
26		900502-00006	2	NUT 6 (3N)	3N6		
27		900600-00006	2	WASHER 6	6		
28		351610-05360	1	HANDLE, FRONT			
29		351611-05360	1	WASHER			

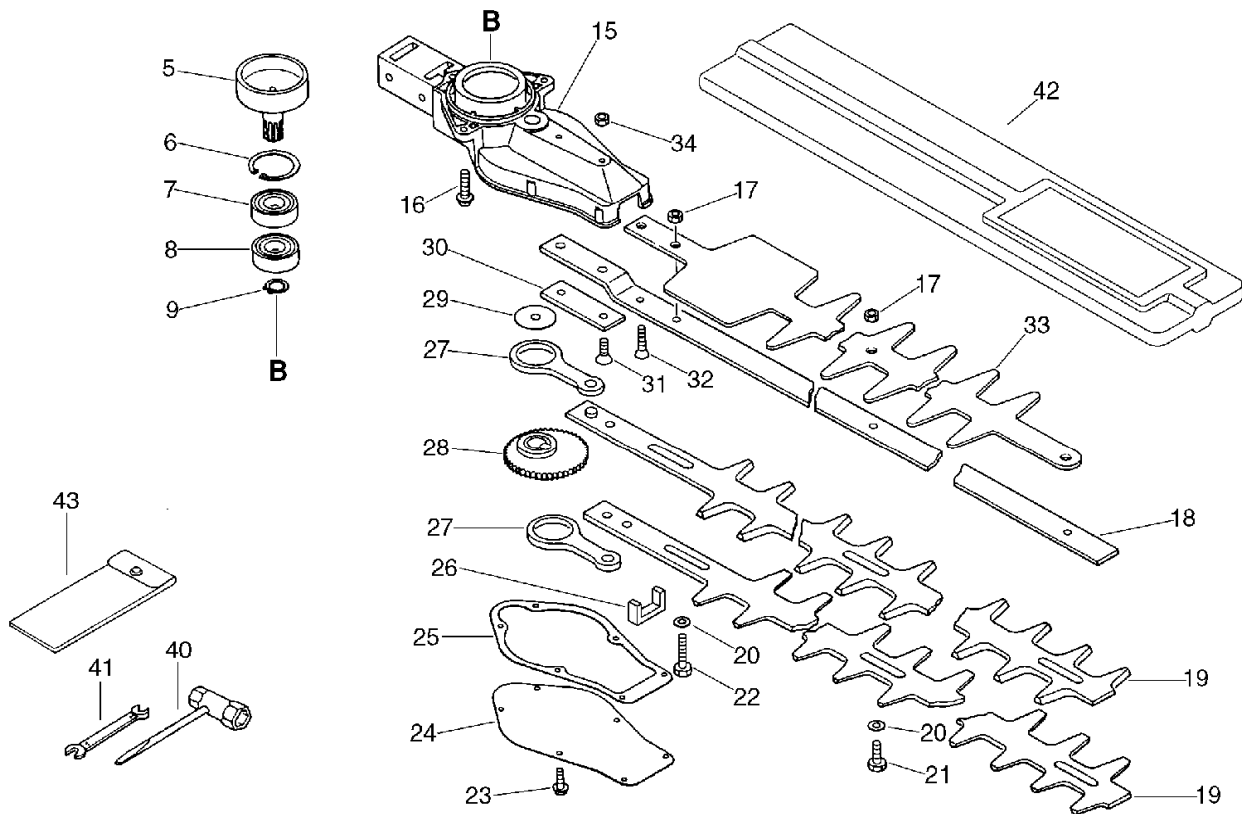
5. HANDLE



KEY	LV	PART NUMBER	Q'TY	DESCRIPTION	REMARKS	NOTE1	NOTE2
30		900560-00005	1	NUT, LOCK 5	5		
33		X502-000430	1	LABEL,ECHO			
34		X505-002030	1	LABEL,CAUTION	37*35		
34		X505-002030	1	LABEL,CAUTION	37*35		

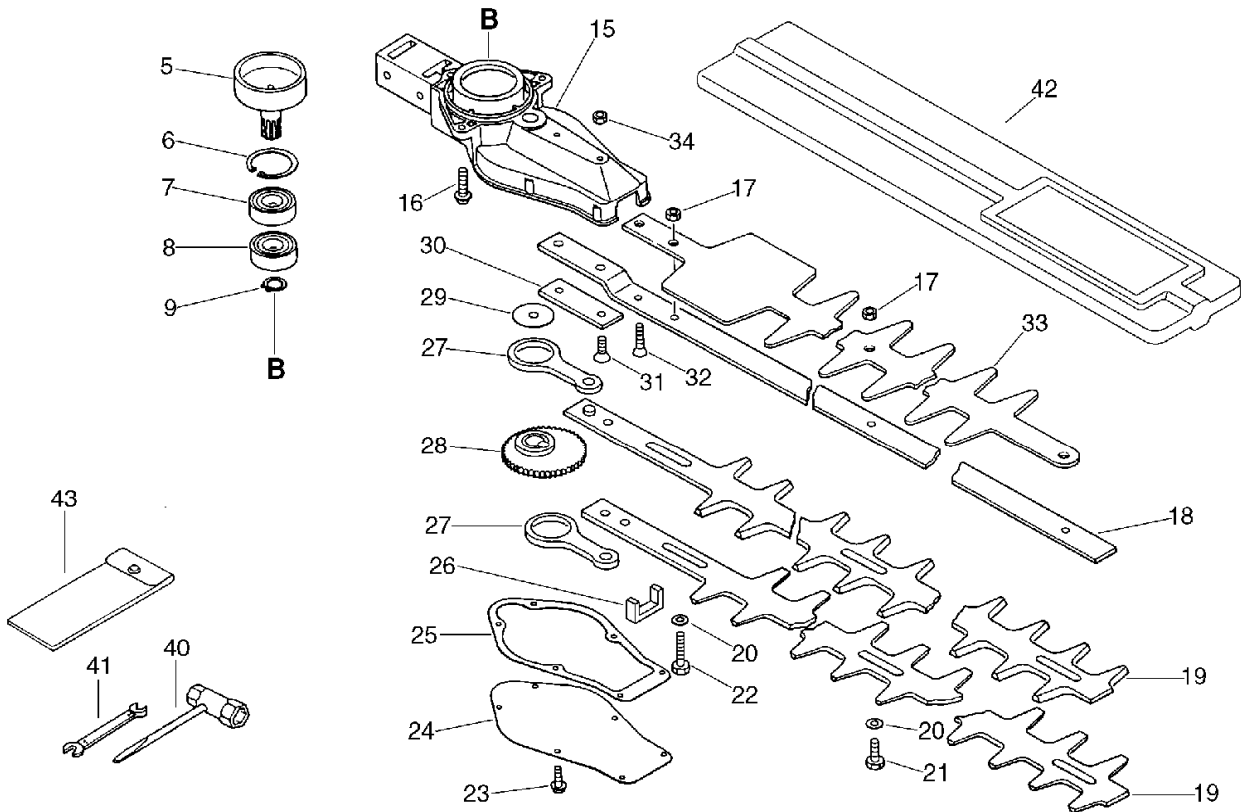


## 6. GEAR CASE, CUTTER



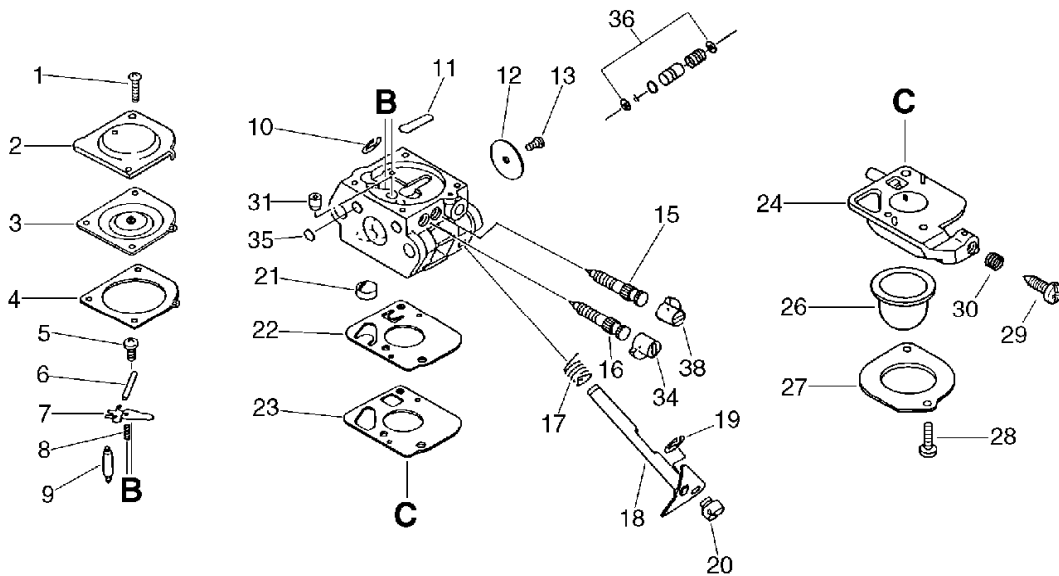
KEY	LV	PART NUMBER	Q'TY	DESCRIPTION	REMARKS	NOTE1	NOTE2
		P021-009370	1	HOUSING ASSY,GEAR			
5	+	175005-04560	1	DRUM, CLUTCH			
6	+	900702-00035	1	CIRCLIP 35	CR-35		
7	+	900813-36202	1	BEARING, BALL 6202	6202Z/C3		
8	+	900810-36202	1	BEARING, BALL 6202	6202/C3		
9	+	900701-00014	1	CIRCLIP 14	CS-14		
15	+	610407-05361	1	CASE, GEAR			
16	+	900162-05020	3	BOLT, H.S. 5*20	5*20 W,SW		
17	+	433022-06460	4	NUT			
18	+	699110-06960	1	BAR, FRAME			
19	+	X411-000280	2	CUTTER			
20	+	699118-04560	4	WASHER			
21	+	699115-04660	3	BOLT 6	6*18L		
22	+	699115-05360	1	BOLT			
23	+	900162-04010	6	BOLT, H.S. 4*10	4*10 W,SW		
24	+	610411-05361	1	LID, GEARCASE			
25	+	610414-05360	1	GASKET, GEAR HOUSING			
26	+	610425-04560	1	SEAL			
27	+	C532-000120	2	ROD, CONNECTING			
28	+	610312-04560	1	GEAR			
29	+	610350-04560	1	WASHER			
30	+	610440-04560	1	HOLDER, FRAME			
31	+	900212-06025	2	SCREW 6*25	+SF6*25		
32	+	900212-05030	1	SCREW (5*30*P0.8)	+SF5*30		
33	+	699125-06560	1	BLUNT	539L		
34	+	900500-00006	2	NUT 6	6		

6. GEAR CASE, CUTTER



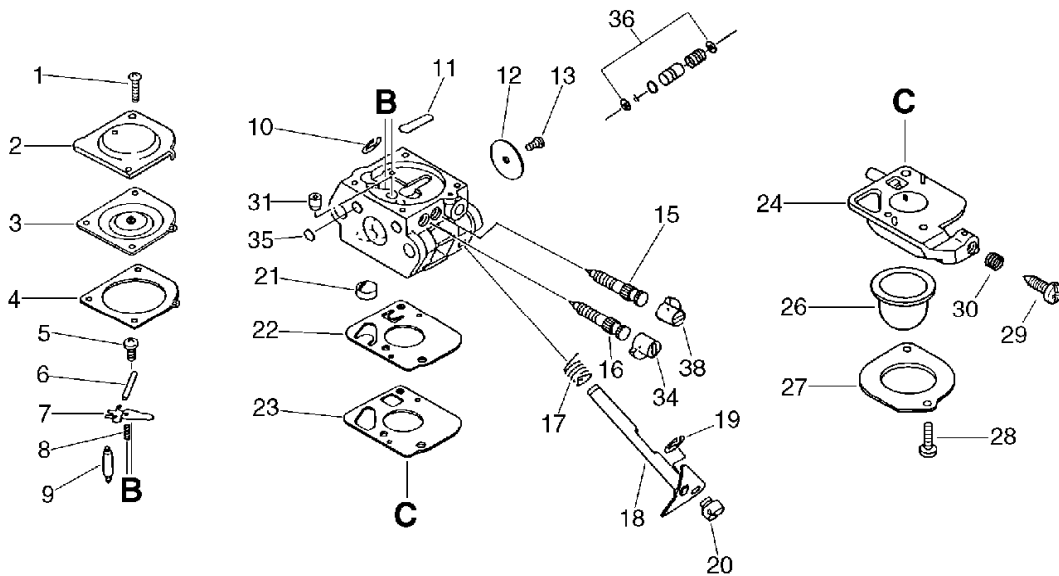
KEY	LV	PART NUMBER	Q'TY	DESCRIPTION	REMARKS	NOTE1	NOTE2
40		895410-03930	1	WRENCH, W/S. DRIVER			
41		895112-00330	1	SPANNER 8*10			
42		X495-000051	1	SCABBARD, BLADE			
43		898510-07130	1	BAG, TOOL			

## 7. CARBURETOR



KEY	LV	PART NUMBER	Q'TY	DESCRIPTION	REMARKS	NOTE1	NOTE2
		125200-05964	1	CARBURETOR	C1U-K51		
1	+	125344-52130	2	SCREW			
2	+	125342-52130	1	COVER, DIAPHRAGM			
3	+	125341-49030	1	DIAPHRAGM			
4	+	125340-51030	1	GASKET, DIAPHRAGM			
5	+	125339-42030	1	SCREW			
6	+	125338-13930	1	PIN, METERING ARM			
7	+	125323-42030	1	LEVER, METERING			
8	+	125322-42030	1	SPRING, COIL			
9	+	125337-06960	1	VALVE, INLET NEEDLE			
10	+	125327-15130	1	CLIP			
11	+	125345-15130	1	PLUG, WELCH			
12	+	125316-49030	1	VALVE, THROTTLE			
13	+	125314-13930	1	SCREW	3*4		
15	+	125318-13120	1	SCREW, IDLE NEEDLE			
16	+	125320-13310	1	NEEDLE, HIGH SPEED			
17	+	125313-42030	1	SPRING, THRT. RETURN			
18	+	125317-13310	1	SHAFT, THROTTLE			
19	+	125327-13930	1	CLIP			
20	+	125372-42030	1	SWIVEL			
21	+	125326-42030	1	STRAINER			
22	+	125312-12820	1	DIAPHRAGM, FUEL PUMP			
23	+	125325-13310	1	GASKET, PUMP			
24	+	P005-000590	1	BASE, ASY PRIMER			
26	+	125381-08660	1	PUMP, PRIMING			
27	+	125363-11610	1	RING			

## 7. CARBURETOR



KEY	LV	PART NUMBER	Q'TY	DESCRIPTION	REMARKS	NOTE1	NOTE2
28	+	125310-11610	2	SCREW			
29	+	125334-06960	1	SCREW, THROTTLE ADJUST			
30	+	125333-06960	1	SPRING, IDLE ADJUSTER			
31	+	125376-13120	1	NOZZLE, CHECK VALVE			
34	+	A259-000030	1	CAP, LIMITER			
35	+	125345-13310	1	PLUG, WELCH			
36	+	P005-002020	1	PUMP KIT, ACC			
38	+	125329-09860	1	LIMITER, MIXTURE			

**8. DIAPHRAGM/GASKET KIT**

KEY	LV	PART NUMBER	Q'TY	DESCRIPTION	REMARKS	NOTE1	NOTE2
		125303-13310	1	DIAPHRAGM/GASKET KIT			
1	+	125341-49030	1	DIAPHRAGM			
2	+	125340-51030	1	GASKET, DIAPHRAGM			
3	+	125312-12820	1	DIAPHRAGM, FUEL PUMP			
4	+	125325-13310	1	GASKET, PUMP			

## 9. REBUILD KIT

KEY	LV	PART NUMBER	Q'TY	DESCRIPTION	REMARKS	NOTE1	NOTE2
		125300-13310	1	REBUILD KIT			
1	+	125341-49030	1	DIAPHRAGM			
2	+	125340-51030	1	GASKET, DIAPHRAGM			
3	+	125338-13930	1	PIN, METERING ARM			
4	+	125323-42030	1	LEVER, METERING			
5	+	125322-42030	1	SPRING, COIL			
6	+	125337-06960	1	VALVE, INLET NEEDLE			
7	+	125345-15130	1	PLUG, WELCH			
8	+	125326-42030	1	STRAINER			
9	+	125312-12820	1	DIAPHRAGM, FUEL PUMP			
10	+	125325-13310	1	GASKET, PUMP			

**Index**

<b>Patrs Number</b>	<b>Key No.</b>	<b>Patrs Number</b>	<b>Key No.</b>	<b>Patrs Number</b>	<b>Key No.</b>
100013-11520	1 - 16	125341-49030	8 - 1	177220-42030	2 - 9
100014-08960	1 - 13	125341-49030	9 - 1	177226-05530	2 - 13
100015-04630	1 - 15	125342-52130	7 - 2	177227-42030	2 - 14
100100-06564	1 - 10	125344-52130	7 - 1	177228-06530	2 - 15
100113-05930	1 - 12	125345-13310	7 - 35	177234-42030	2 - 20
100204-05361	1 - 4	125345-15130	7 - 11	177236-44330	2 - 12
100212-42031	1 - 5	125345-15130	9 - 7	178001-13360	5 - 25
100215-03930	1 - 9	125363-11610	7 - 27	178010-13361	5 - 10
100242-42030	1 - 8	125372-42030	7 - 20	178012-13360	5 - 11
101010-44332	1 - 27	125376-13120	7 - 31	178013-13660	5 - 9
101011-06562	1 - 19	125381-08660	7 - 26	178043-13360	5 - 16
101506-05361	1 - 25	129011-52730	3 - 16	178043-13660	5 - 13
125200-05964	3 - 10	130010-42032	3 - 5	178127-13361	5 - 24
125200-05964	7 -	130016-42031	3 - 9	178129-13361	5 - 22
125300-13310	9 -	130017-42031	3 - 7	178302-13360	5 - 7
125303-13310	8 -	130310-54130	3 - 18	210417-52730	3 - 20
125310-11610	7 - 28	130313-05863	3 - 19	351100-13361	5 - 5
125312-12820	7 - 22	131004-08960	4 - 17	351101-13360	5 - 32
125312-12820	8 - 3	131016-55830	4 - 18	351312-13361	5 - 20
125312-12820	9 - 9	131051-52430	4 - 19	351313-13361	5 - 23
125313-42030	7 - 17	131205-07320	4 - 15	351610-05360	5 - 28
125314-13930	7 - 13	131300-56430	4 - 9	351611-05360	5 - 29
125316-49030	7 - 12	132010-06460	4 - 16	351648-13360	5 - 12
125317-13310	7 - 18	132013-09820	4 - 14	433022-06460	6 - 17
125318-13120	7 - 15	132115-46730	4 - 13	605611-13360	5 - 15
125320-13310	7 - 16	145802-05361	3 - 28	610312-04560	6 - 28
125322-42030	7 - 8	145866-42031	3 - 32	610350-04560	6 - 29
125322-42030	9 - 5	145871-05360	3 - 29	610407-05361	6 - 15
125323-42030	7 - 7	145876-42030	3 - 33	610411-05361	6 - 24
125323-42030	9 - 4	156110-04920	2 - 31	610414-05360	6 - 25
125325-13310	7 - 23	156114-04920	2 - 27	610425-04560	6 - 26
125325-13310	8 - 4	156801-05360	2 - 23	610440-04560	6 - 30
125325-13310	9 - 10	159011-03432	2 - 29	689025-13361	5 - 21
125326-42030	7 - 21	159012-03433	2 - 30	699110-06960	6 - 18
125326-42030	9 - 8	159017-12330	2 - 28	699115-04660	6 - 21
125327-13930	7 - 19	162021-52830	2 - 26	699115-05360	6 - 22
125327-15130	7 - 10	163400-13360	5 - 14	699118-04560	6 - 20
125329-09860	7 - 38	175000-06560	2 - 42	699125-06560	6 - 33
125333-06960	7 - 30	175005-04560	6 - 5	890121-05360	3 - 21
125334-06960	7 - 29	175009-05131	2 - 44	890123-13360	2 - 46
125337-06960	7 - 9	175014-05360	2 - 40	895112-00330	6 - 41
125337-06960	9 - 6	175016-04920	2 - 45	895410-03930	6 - 40
125338-13930	7 - 6	175018-05960	2 - 43	898510-07130	6 - 43
125338-13930	9 - 3	175019-04920	2 - 41	900105-05050	3 - 36
125339-42030	7 - 5	175055-05360	2 - 47	900162-04010	6 - 23
125340-51030	7 - 4	177200-05363	2 - 7	900162-04016	2 - 5
125340-51030	8 - 2	177202-44331	2 - 18	900162-04016	2 - 48
125340-51030	9 - 2	177215-44430	2 - 10	900162-04020	1 - 26
125341-49030	7 - 3	177218-44330	2 - 19	900162-04022	2 - 24

**Index**

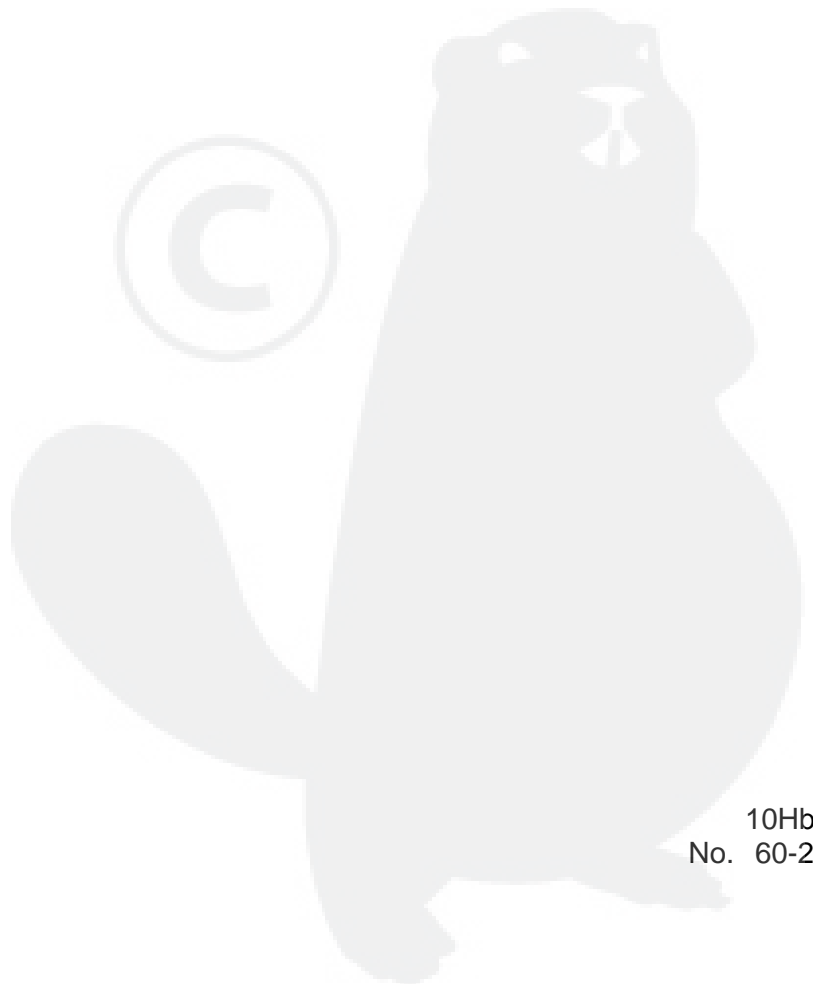
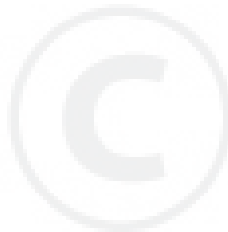
<b>Patrs Number</b>	<b>Key No.</b>	<b>Patrs Number</b>	<b>Key No.</b>	<b>Patrs Number</b>	<b>Key No.</b>
900162-05020	6 - 16	X505-002030	5 - 34		
900162-05022	1 - 20				
900162-05028	1 - 6				
900212-05030	6 - 32				
900212-06025	6 - 31				
900220-05045	5 - 19				
900238-05020	3 - 8				
900238-05030	5 - 4				
900239-05016	4 - 6				
900242-04010	3 - 35				
900242-05065	3 - 17				
900256-04016	5 - 6				
900500-00005	3 - 6				
900500-00006	6 - 34				
900502-00006	5 - 26				
900560-00005	5 - 17				
900560-00005	5 - 30				
900600-00005	3 - 37				
900600-00005	5 - 18				
900600-00006	5 - 27				
900605-00008	2 - 17				
900701-00014	6 - 9				
900702-00035	6 - 6				
900810-36202	6 - 8				
900813-36202	6 - 7				
94035-36201	1 - 7				
A101-000000	1 - 17				
A226-001410	3 - 18				
A259-000030	7 - 34				
A313-000010	3 - 34				
A350-000272	4 - 5				
A411-000080	2 - 25				
C532-000120	6 - 27				
P005-000590	7 - 24				
P005-002020	7 - 36				
P021-001113	1 - 11				
P021-009370	6 -				
P021-010350	3 - 14				
V104-000160	3 - 30				
V306-000150	1 - 18				
V470-000580	4 - 12				
V471-001200	4 - 11				
V475-001900	2 - 33				
X411-000280	6 - 19				
X495-000051	6 - 42				
X502-000330	2 - 6				
X502-000430	5 - 33				
X503-008850	2 - 32				
X505-002030	5 - 34				



# YAMABIKO CORPORATION

7-2 SUEHIROCHO 1-CHOME, OHME, TOKYO 198-8760, JAPAN  
PHONE: 81-428-32-6118. FAX: 81-428-32-6145.

**ECHO**®



10Hb  
No. 60-226