



PARTS CATALOG

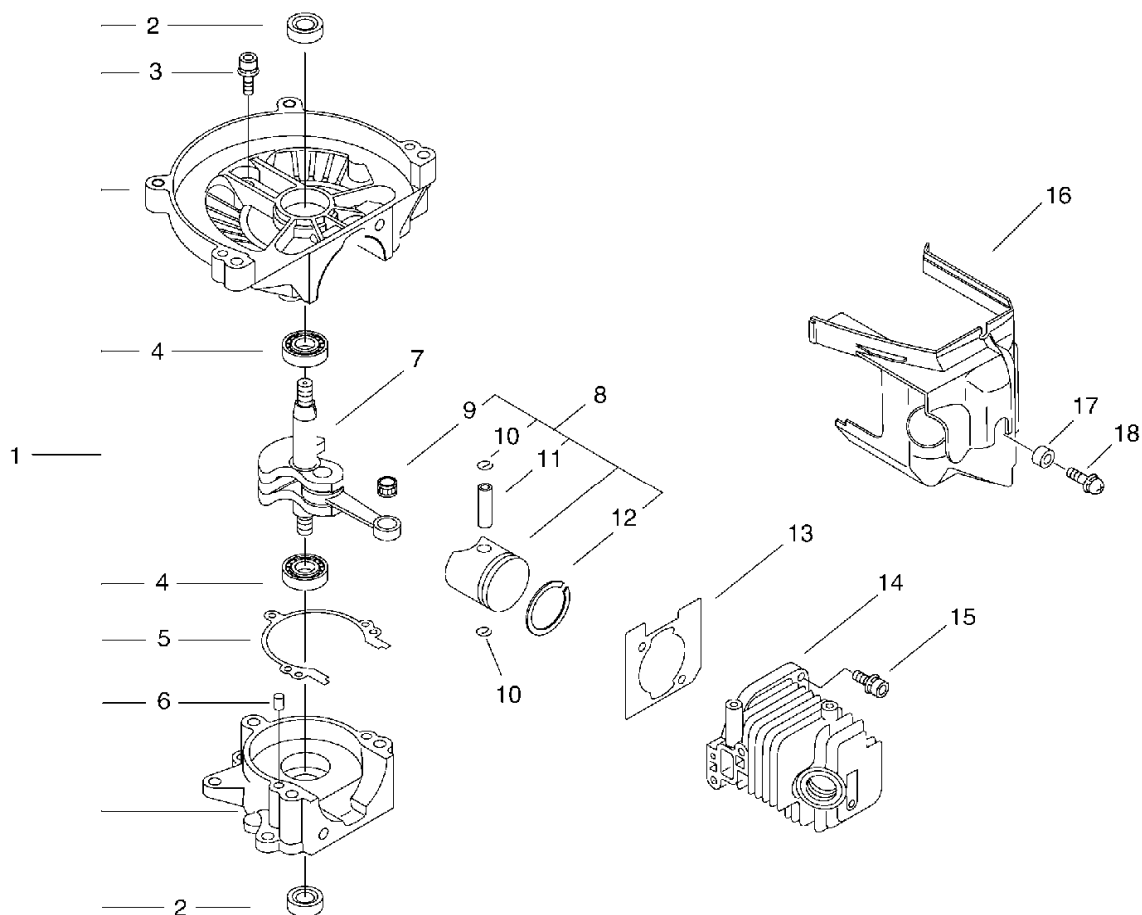
HEDGE TRIMMER

HC-40ES(36)



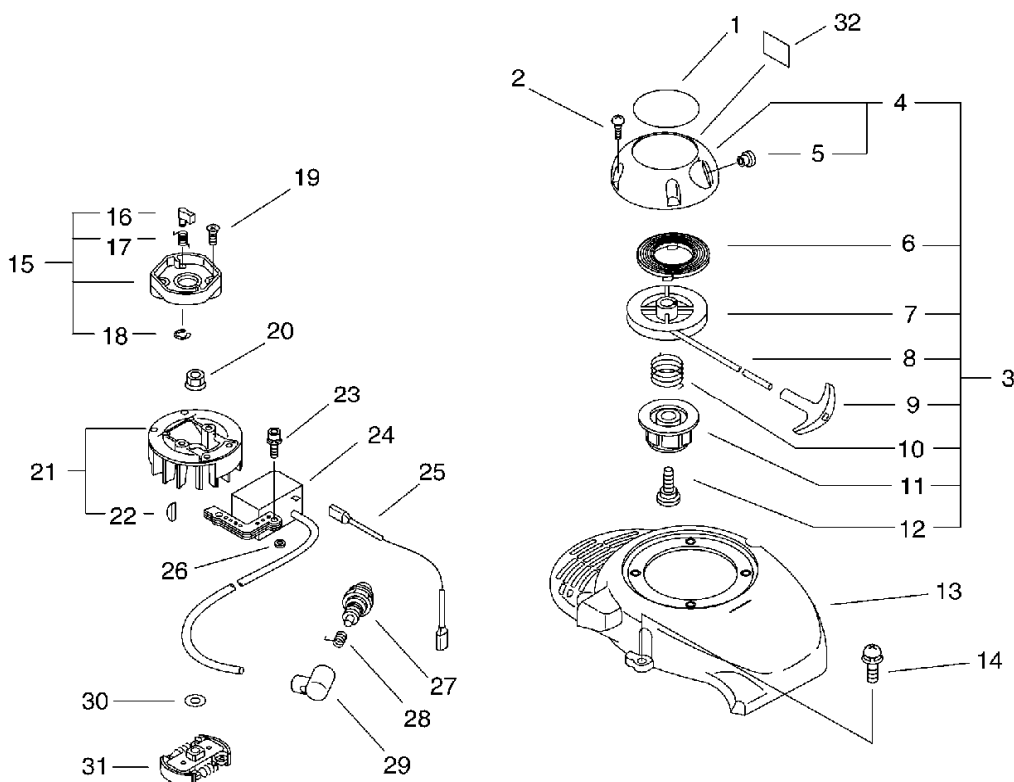
HC-40ES(36)

1. Cylinder, Crankcase, Piston



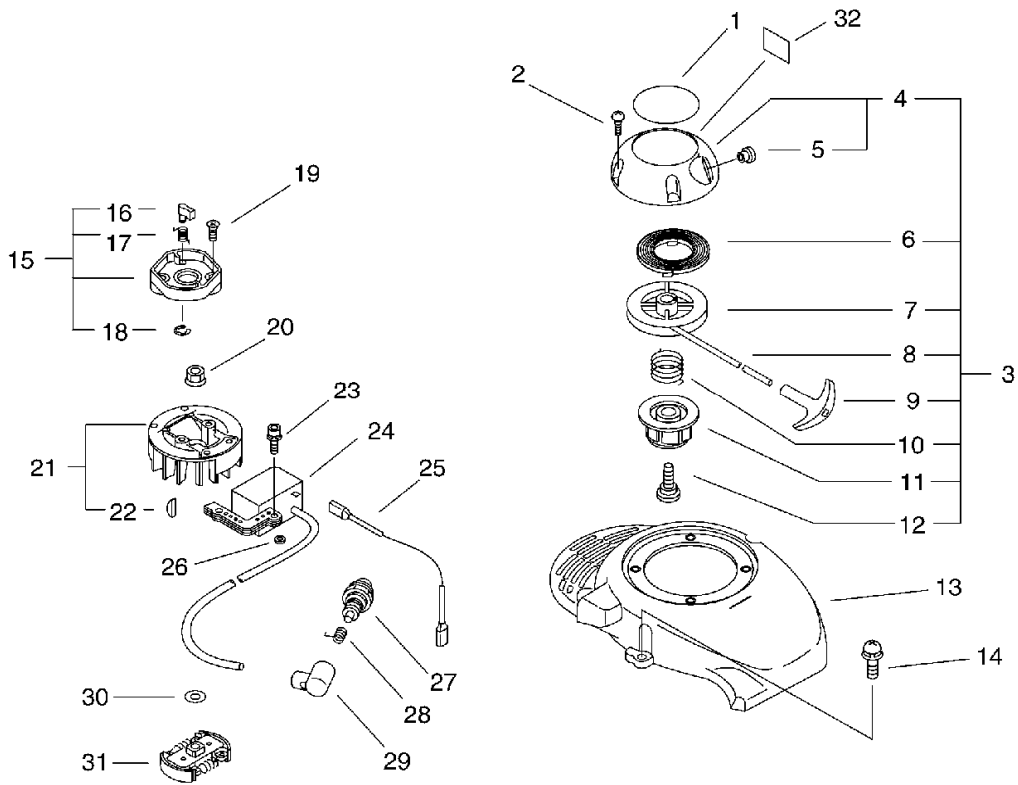
KEY	LV	PART NUMBER	Q'TY	DESCRIPTION	REMARKS	NOTE1	NOTE2
1		P021-003941	1	CRANK CASE SET			
2	+	100212-61830	2	OILSEAL	ISCD 10*20*5		
3	+	900162-05025	3	BOLT, H.S. 5*25	5*25 W,SW		
4	+	900810-36000	2	BEARING, BALL			
5	+	100242-61830	1	GASKET, CRANKCASE			
6	+	100215-03930	2	PIN, DOWEL			
7		A011-000180	1	CRANKSHAFT,ASM			
8		P021-008710	1	PISTON KIT			
9	+	100012-61830	1	BEARING, NEEDLE			
10	+	100015-61830	2	RING, SNAP			
11	+	100013-61830	1	PIN, PISTON			
12	+	A101-000090	1	RING,PISTON			
13		V100-000120	1	GASKET,CYL			
14		A130-000611	1	CYLINDER			
15		900162-05020	2	BOLT, H.S. 5*20	5*20 W,SW		
16		A160-000380	1	COVER,CYLINDER			
17		150117-16430	1	SPACER			
18		900239-05018	1	SCREW 5*18	5*18		

2. Starter, Magneto, Clutch(Sr/Nr 36001100 and before)



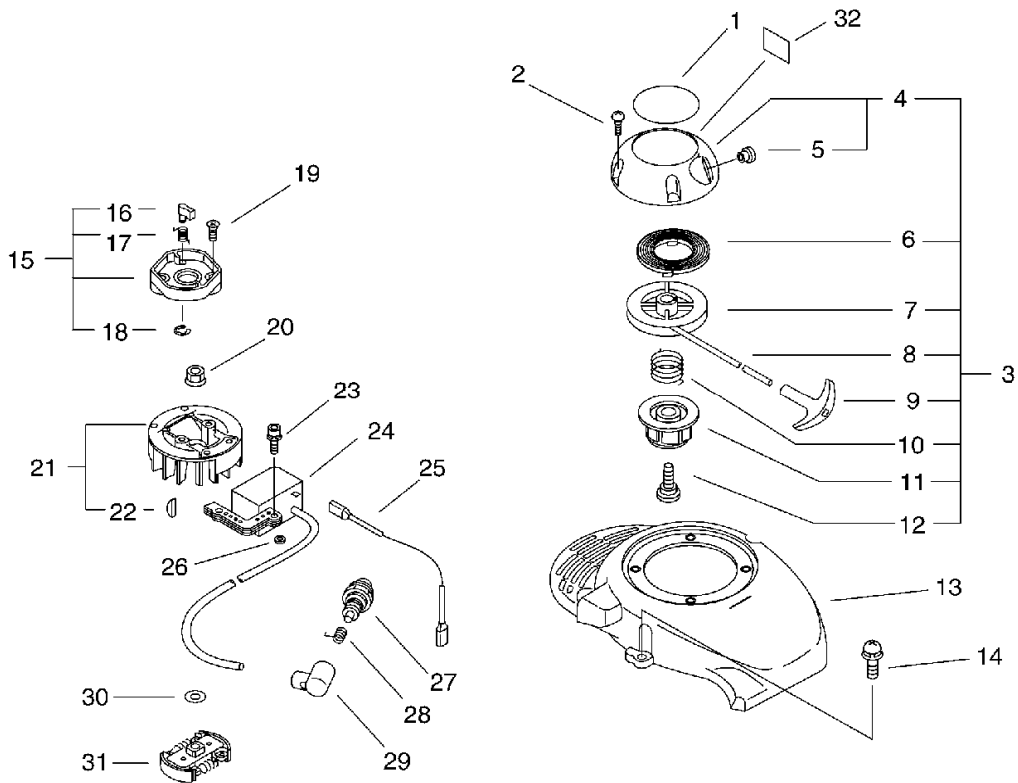
KEY	LV	PART NUMBER	Q'TY	DESCRIPTION	REMARKS	NOTE1	NOTE2
1		X547-000260	1	LABEL,ECHO	HC-40ES		
2		900253-05020	2	SCREW 5*20	5*20		
3		P022-007740	1	STARTER ASY			
4	+	P022-006840	1	STARTER,RECOIL			
5	++	177227-42030	1	GUIDE, ROPE			
6	+	177220-42030	1	SPRING, REWIND			
7	+	P022-006830	1	DRUM			
8	+	P022-006800	1	ROPE, STARTER	3.0*880		
9	+	177228-44330	1	GRIP, STARTER			
10	+	V452-000150	1	SPRING,TORSION			
11	+	P022-006820	1	PLATE			
12	+	177236-61830	1	SCREW			
13		A172-000250	1	COVER,FAN			
14		900239-05016	4	SCREW 5*16	5*16		
15		A052-000170	1	PULLEY,ASM STARTER			
16	+	P022-006850	2	PAWL, STARTER			
17	+	177234-05960	2	SPRING, RETURN			
18	+	P022-002100	2	E-RING	4		
19		900212-06014	2	SCREW 6*14	+SF6*14		
20		900515-00006	1	NUT, FLANGE 6	6		
21		P021-003340	1	ROTOR,MAGNETO W/KEY			
22	+	100142-12330	1	KEY, WOODRUFF			
23		91128-04022	2	BOLT HSH	CM-4*22		
24		A411-000100	1	COIL,IGNITION			
25		162010-55930	1	LEARD, GROUND	235L		
26		150117-09130	2	SPACER			

2. Starter, Magneto, Clutch(Sr/Nr 36001100 and before)



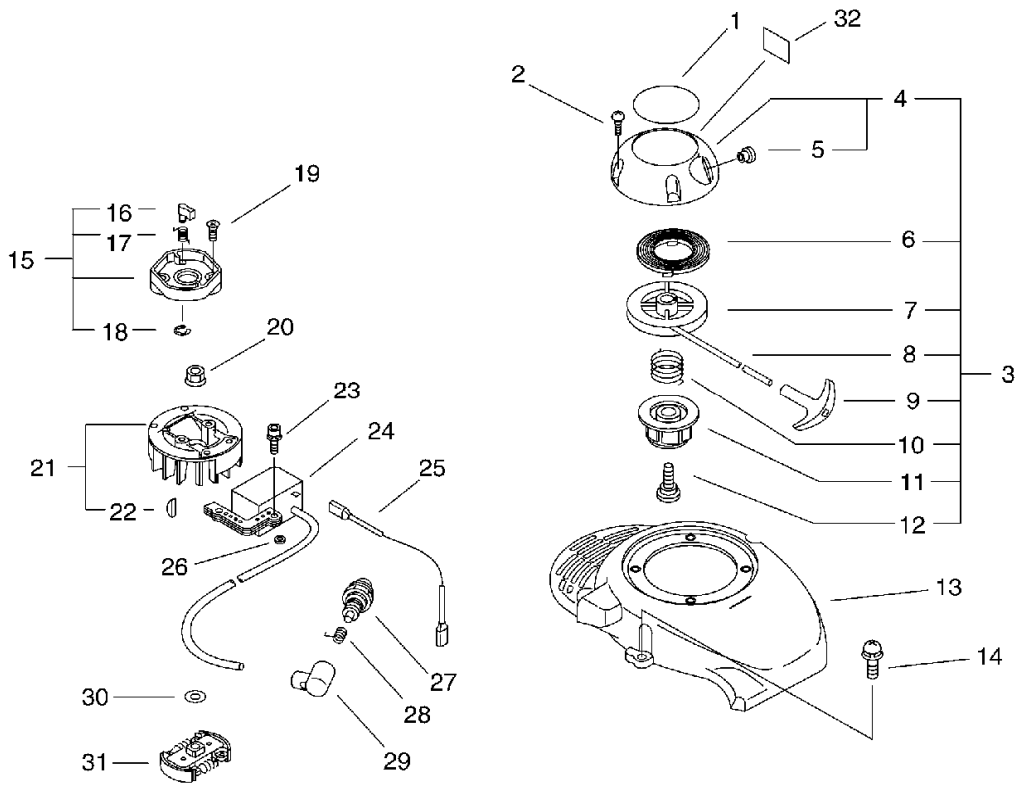
KEY	LV	PART NUMBER	Q'TY	DESCRIPTION	REMARKS	NOTE1	NOTE2
27		159010-10230	1	PLUG, SPARK (BPMR-7A	BPMR-7A		
28		159011-03432	1	COIL, SPARK PLUG			
29		159012-03433	1	CAP, SPARK PLUG			
30		610350-12360	1	WASHER			
31		A056-000090	1	CLUTCH			

3. Starter, Magneto, Clutch(Sr/Nr 36001101 and after)



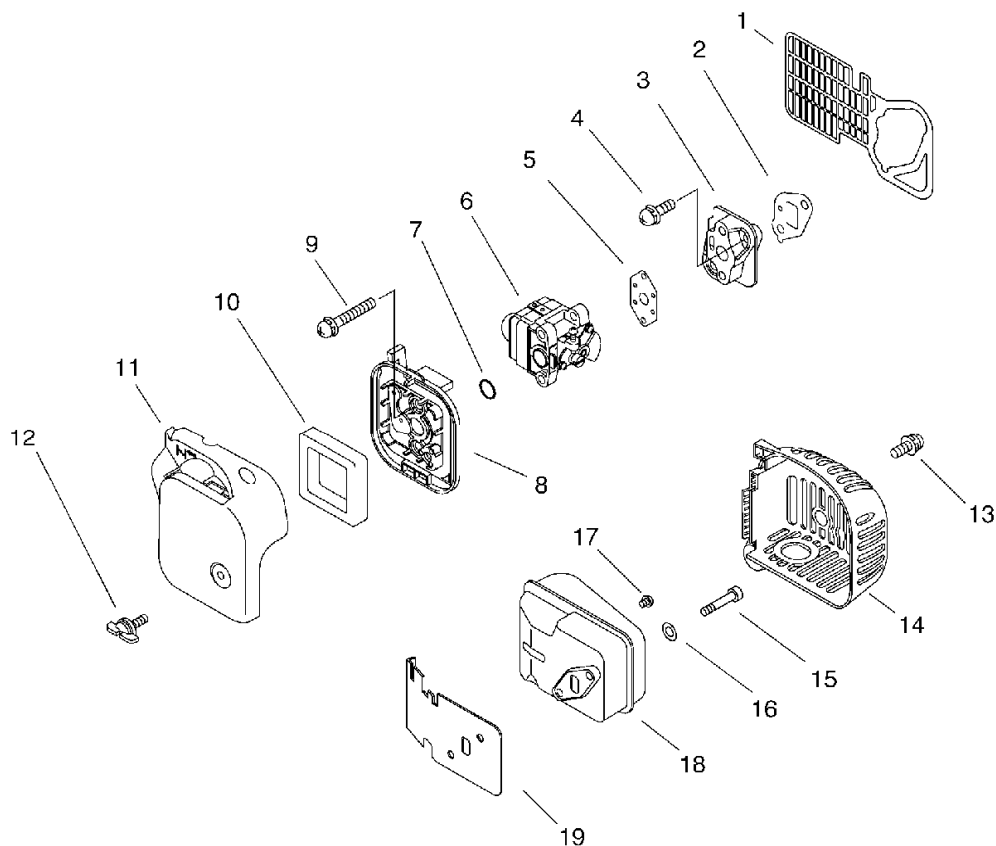
KEY	LV	PART NUMBER	Q'TY	DESCRIPTION	REMARKS	NOTE1	NOTE2
1		X547-000260	1	LABEL,ECHO	HC-40ES		
2		900253-05020	2	SCREW 5*20	5*20		
3		P022-007740	1	STARTER ASY			
4	+	P022-006840	1	STARTER,RECOIL			
5	++	177227-42030	1	GUIDE, ROPE			
6	+	177220-42030	1	SPRING, REWIND			
7	+	P022-006830	1	DRUM			
8	+	P022-006800	1	ROPE, STARTER	3.0*880		
9	+	177228-44330	1	GRIP, STARTER			
10	+	V452-000150	1	SPRING,TORSION			
11	+	P022-006820	1	PLATE			
12	+	177236-61830	1	SCREW			
13		A172-000250	1	COVER,FAN			
14		900239-05016	4	SCREW 5*16	5*16		
15		A052-000170	1	PULLEY,ASM STARTER			
16	+	P022-006850	2	PAWL, STARTER			
17	+	177234-05960	2	SPRING, RETURN			
18	+	P022-002100	2	E-RING	4		
19		900212-06014	2	SCREW 6*14	+SF6*14		
20		900515-00006	1	NUT, FLANGE 6	6		
21		P021-003340	1	ROTOR,MAGNETO W/KEY			
22	+	100142-12330	1	KEY, WOODRUFF			
23		91128-04022	2	BOLT HSH	CM-4*22		
24		A411-000100	1	COIL,IGNITION			
25		162010-55930	1	LEARD, GROUND	235L		
26		150117-09130	2	SPACER			

3. Starter, Magneto, Clutch(Sr/Nr 36001101 and after)



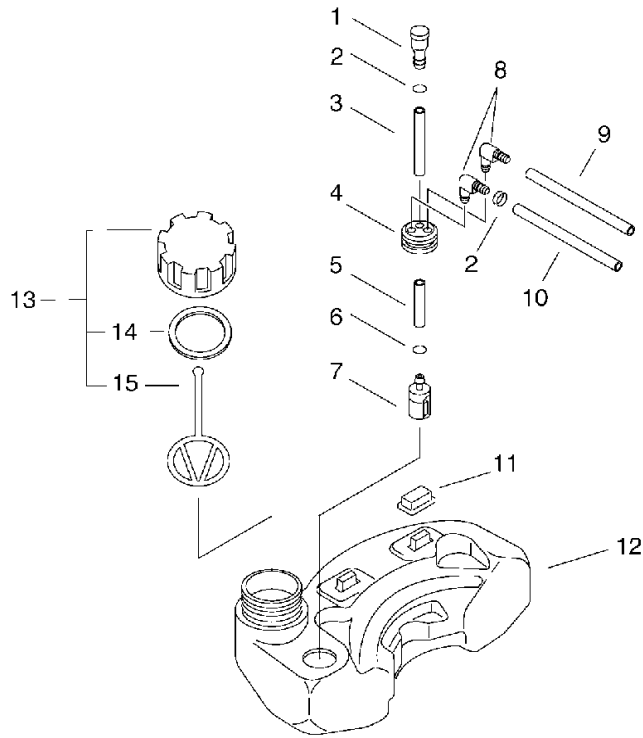
KEY	LV	PART NUMBER	Q'TY	DESCRIPTION	REMARKS	NOTE1	NOTE2
27		159010-10230	1	PLUG, SPARK (BPMR-7A	BPMR-7A		
28		159011-03432	1	COIL, SPARK PLUG			
29		159012-03433	1	CAP, SPARK PLUG			
30		610350-12360	1	WASHER			
31		A056-000090	1	CLUTCH			
32		X530-000210	1	LABEL,EYE CATCHER			

4. Air Cleaner, Muffler



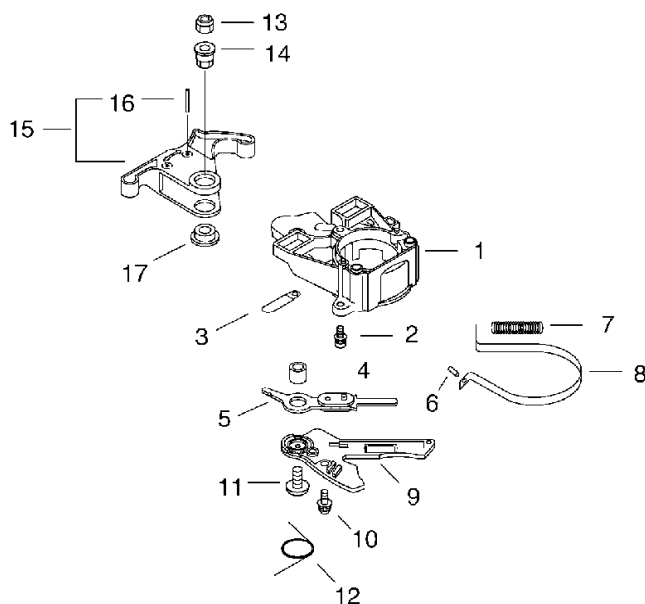
KEY	LV	PART NUMBER	Q'TY	DESCRIPTION	REMARKS	NOTE1	NOTE2
1		A128-000010	1	PLATE,DUST			
2		130010-61830	1	GASKET, INTAKE			
3		A200-000080	1	INSULATOR,INTAKE			
4		900238-05020	2	SCREW 5*20	5*20		
5		130010-44431	1	GASKET, INTAKE			
6		A021-000691	1	CARBURETOR,DIAPHRAGM	WYL-192A		
7		900720-00015	1	O-RING 15	P-15		
8		P021-006131	1	CASE, AIR CLEANER			
9		900242-05050	2	SCREW 5*50	5*50		
10		A226-000130	1	ELEMENT,AIR FILTER			
11		A232-000130	1	LID,CLEANER			
12		V299-000190	1	KNOB,FASTENER			
13		900239-05016	1	SCREW 5*16	5*16		
14		A320-000121	1	COVER,MUFFLER			
15		900105-05050	2	BOLT, H.S. 5*50	5*50		
16		900600-00005	2	WASHER 5	5		
17		900220-04006	1	SCREW 4*6	4*6		
18		P021-008700	1	MUFFLER ASY			
19		145510-61832	1	GASKET, MUFFLER			

5. Fuel Tank



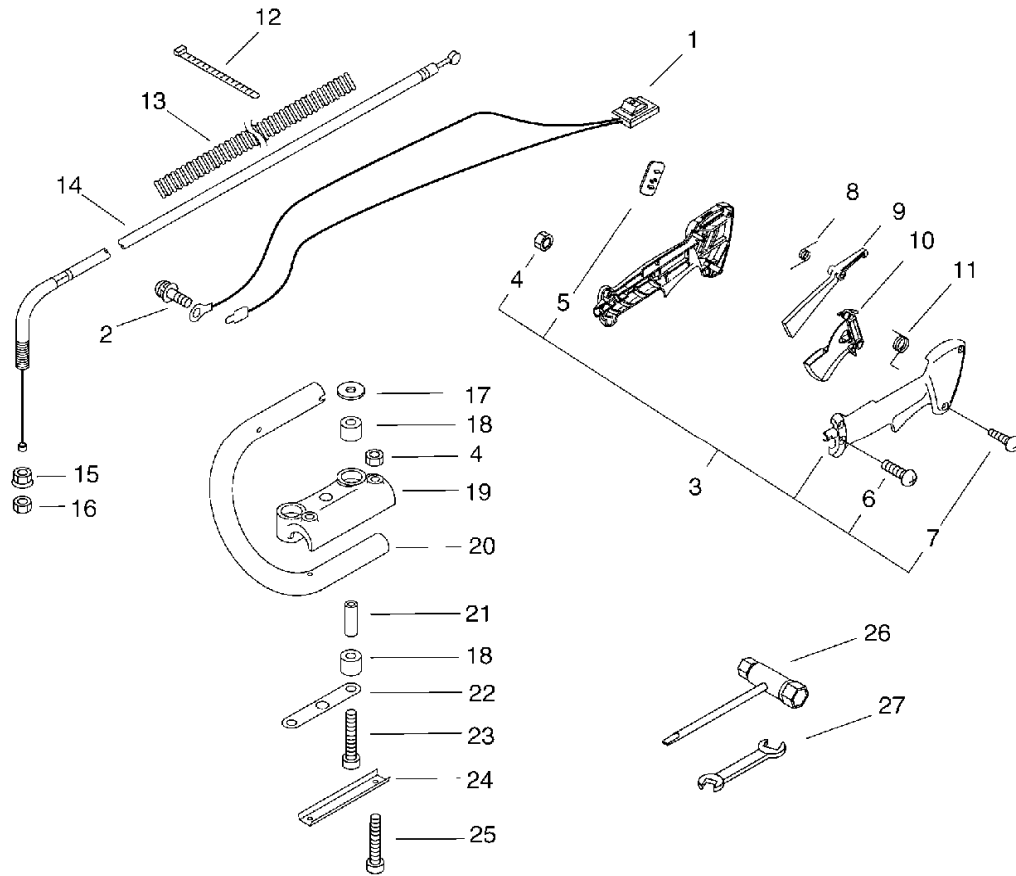
KEY	LV	PART NUMBER	Q'TY	DESCRIPTION	REMARKS	NOTE1	NOTE2
1		131300-56430	1	VALVE, CHECK			
2		132013-26630	2	CLIP	6.5MM		
3		132012-11960	1	PIPE 3*6*45	3*6*45 NBR		
4		132115-55930	1	GROMMET, FUEL			
5		132010-52830	1	PIPE	3*5*110 NBR		
6		132013-09820	1	CLIP	6MM		
7		131205-19830	1	STRAINER, FUEL			
8		V186-000080	2	JOINT,PIPE			
9		130110-54430	1	PIPE, IMPULSE	3*6*105 NBR		
10		V471-000630	1	PIPE			
11		131920-55430	4	CUSHION, FUEL TANK			
12		A350-000191	1	TANK,FUEL			
13		131004-55530	1	CAP ASSY, FUEL TANK			
14	+	131016-55830	1	GASKET, FUEL CAP			
15	+	131051-56030	1	CLIP, FUEL CAP	100L		

6. Brake



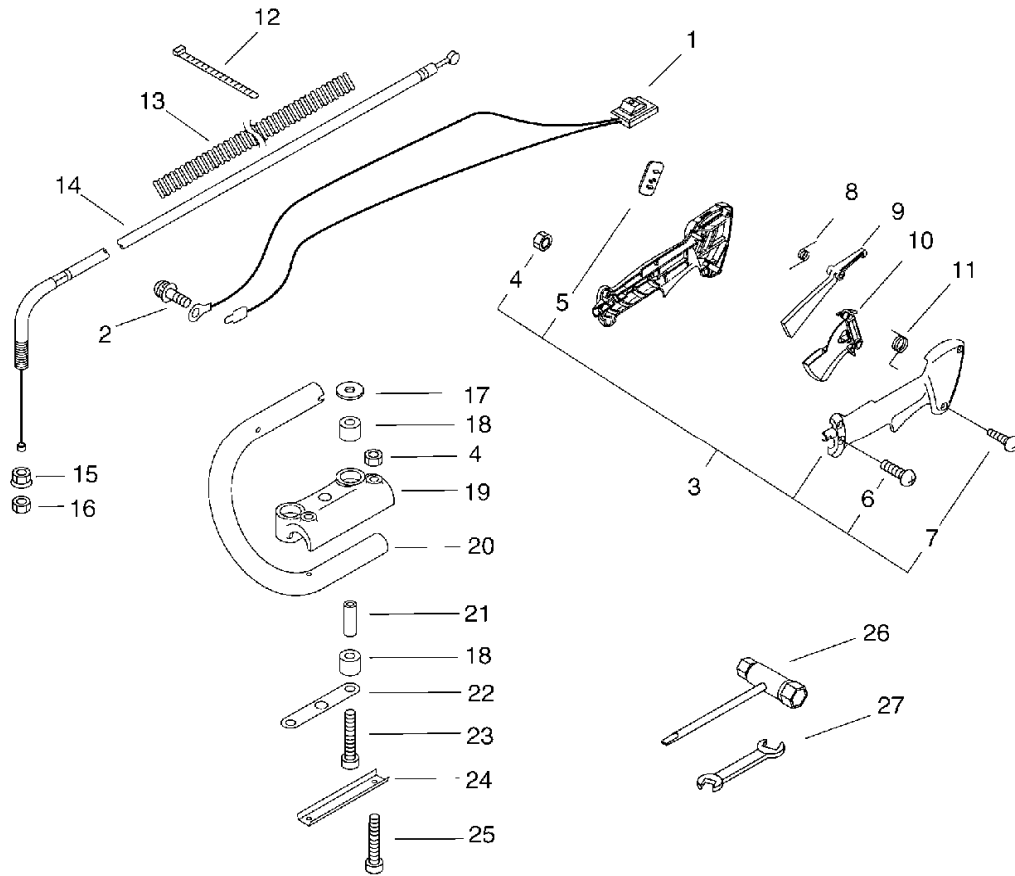
KEY	LV	PART NUMBER	Q'TY	DESCRIPTION	REMARKS	NOTE1	NOTE2
1		A570-000111	1	CASE,CLUTCH			
2		900238-05016	3	SCREW 5*16	5*16		
3		159116-21231	1	CLAMP			
4		433116-35430	1	SPACER 8	8*12*9		
5		C334-000040	1	CONNECTOR,BRAKE		Sus. by C334-000041	
5		C334-000041	1	CONNECTOR,BRAKE			
6		93050-30098	1	ROLLER	F3*9.8		
7		V450-000380	1	SPRING,COMPRESSION			
8		C328-000040	1	BAND,BRAKE			
9		C345-000131	1	COVER,BRAKE			
10		900220-04010	3	SCREW 4*10	4*10		
11		900209-05030	1	SCREW, 5*30	5*30		
12		V452-000180	1	SPRING,TORSION			
13		900560-00005	1	NUT, LOCK 5	5		
14		V353-000060	1	COLLAR,5			
15		P021-006410	1	LEVER, BRAKE			
16	+	900330-30240	2	PIN 3*24	3*23.8		
17		433167-39130	1	SPACER			

7. Handle, Tools

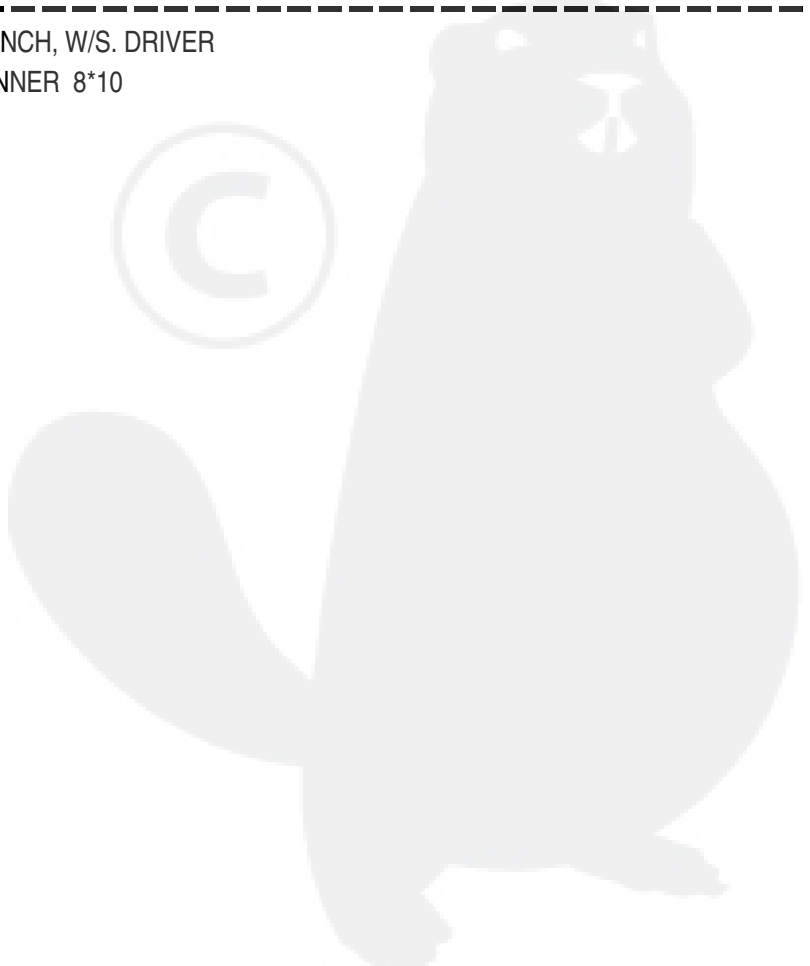
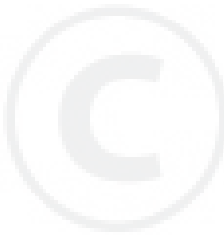


KEY	LV	PART NUMBER	Q'TY	DESCRIPTION	REMARKS	NOTE1	NOTE2
1		A440-000460	1	SWITCH,ON OFF			
2		900238-05010	1	SCREW 5*10	5*10		
3		P021-002612	1	GRIP ASY,F-HANDLE			
4	+	900500-00005	1	NUT 5	5		
5	+	V162-000130	1	PLUG			
6	+	900235-05030	1	SCREW 5*30	5*30		
7	+	900253-04016	3	SCREW 4*16	4*16		
4		900500-00005	2	NUT 5	5		
8		V452-000050	1	SPRING,TORSION			
9		C460-000011	1	LOCKOUT,THROTTLE			
10		C450-000022	1	TRIGGER,THROTTLE			
11		V452-000060	1	SPRING,TORSION			
12		178121-43230	1	BAND	CV-150 BL		
13		162110-56530	1	TUBE	7*175		
14		V430-000980	1	CABLE,BOWDEN			
15		900518-00006	1	NUT, FLANGE	6		
16		900502-00006	1	NUT 6 (3N)	3N6		
17		300217-00610	2	WASHER			
18		351228-07760	4	CUSHION			
19		351217-07761	1	SUPPORTER, HANDLE			
20		C410-000170	1	HANDLE,REAR			
21		351241-01260	2	SPASER			
22		351242-06961	1	PLATE, EYE			
23		900162-05045	2	BOLT, H.S. 5*45	5*45 W,SW		
24		351243-01260	1	BRACKET			
25		900162-05035	2	BOLT, H.S. 5*35	5*35 W,SW		

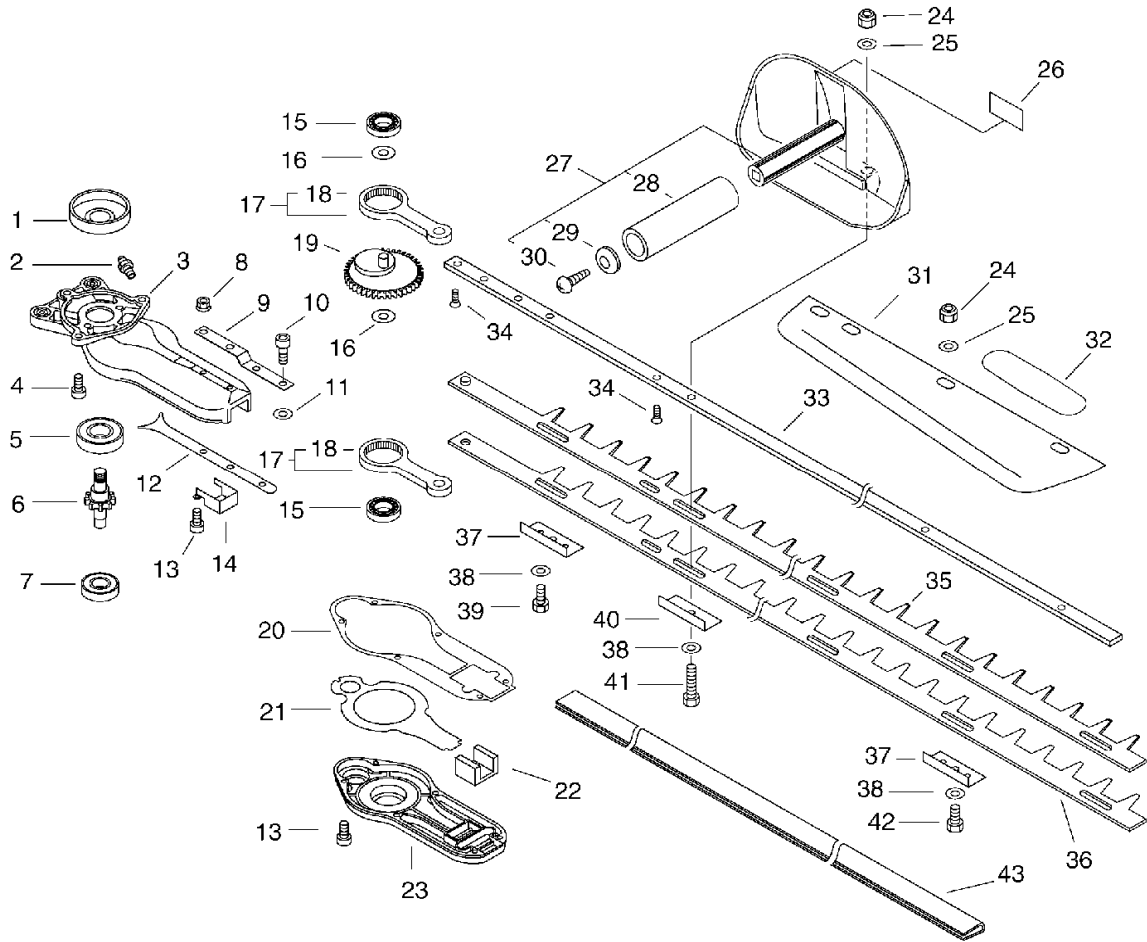
7. Handle, Tools



KEY	LV	PART NUMBER	Q'TY	DESCRIPTION	REMARKS	NOTE1	NOTE2
26		895410-00430	1	WRENCH, W/S. DRIVER			
27		895112-00330	1	SPANNER 8*10			

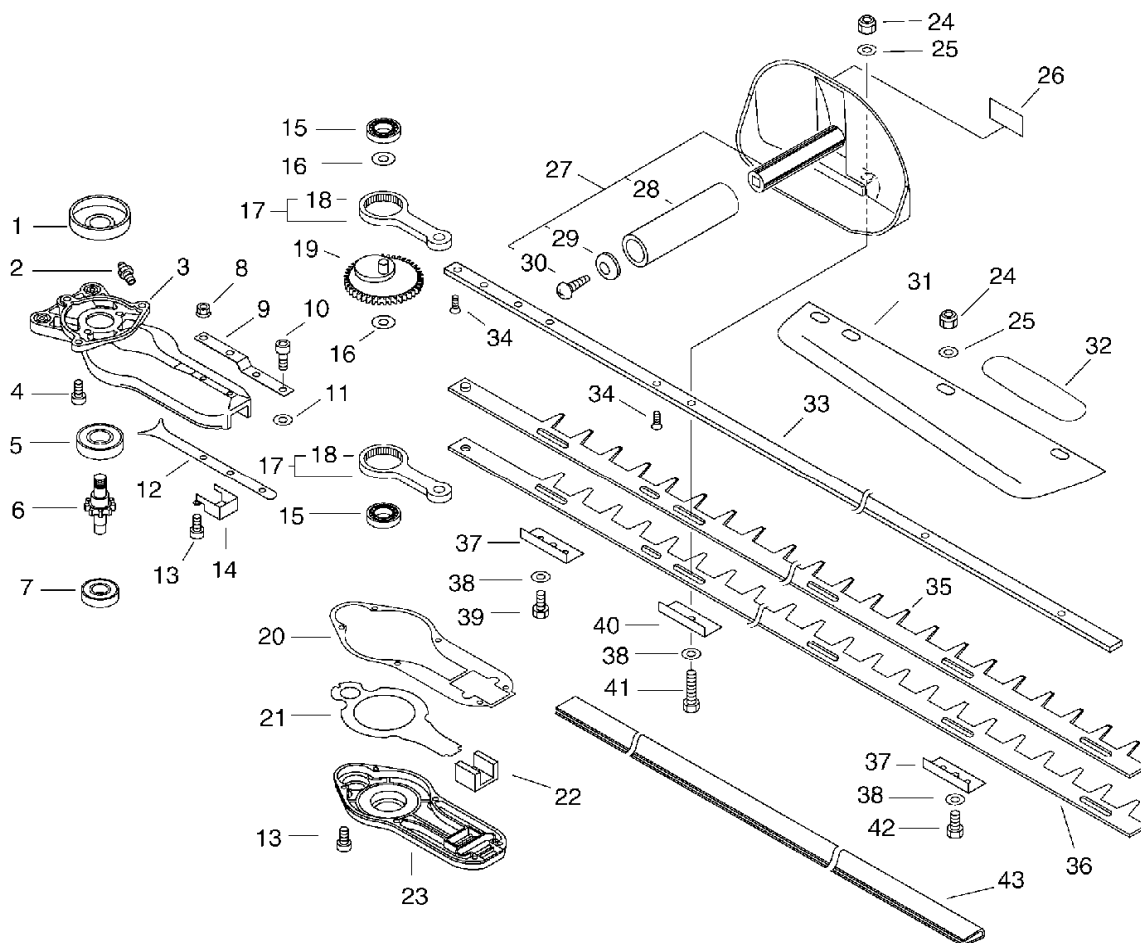


8. Gear Case, Cutter(Sr/Nr 36001100 and before)



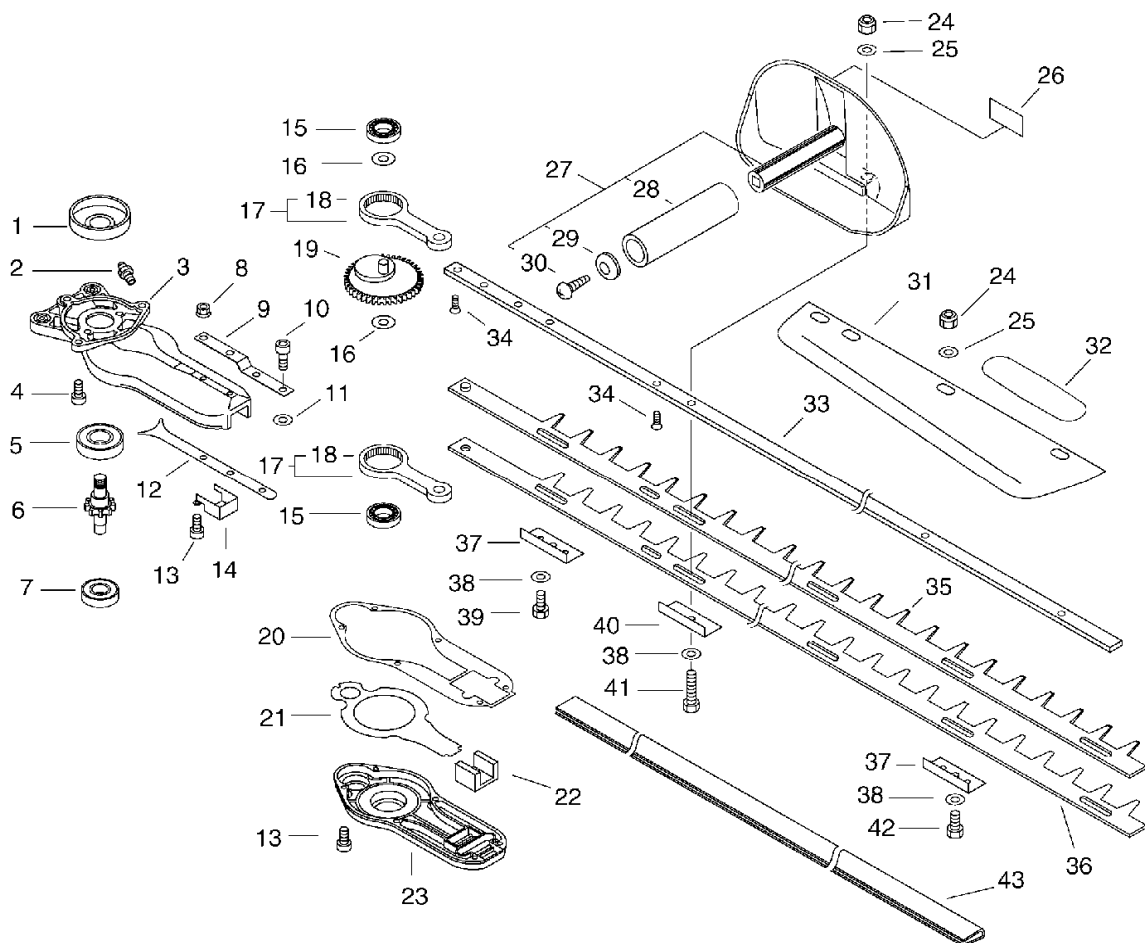
KEY	LV	PART NUMBER	Q'TY	DESCRIPTION	REMARKS	NOTE1	NOTE2
1		A556-000301	1	DRUM,CLUTCH			
2		880110-10860	1	NIPPLE, GREASE			
3		C531-000270	1	CASE,GEAR			
4		900162-06018	3	BOLT, H.S.H	6*18 W, SW		
5		900812-06200	1	BEARING, BALL 6200	6200DDU(LLU)		
6		V650-000160	1	GEAR, SPUR			
7		900804-00608	1	BEARING, BALL 608	608ZZ		
8		900515-00006	2	NUT, FLANGE 6	6		
9		699213-08960	1	PLATE			
10		900162-06012	1	BOLT, H.S. 6*12	6*12		
11		900630-00006	1	WASHER 6.5*16*2T	6.5*16*2T		
12		V150-001240	1	PLATE, EYE			
13		900162-04016	8	BOLT, H.S. 4*16	4*16 W, SW		
14		C538-000090	1	GUIDE, CUTTER			
15		900810-06200	2	BEARING, BALL 6200	6200		
16		100014-17330	2	SPACER, PISTON PIN			
17		P021-008400	2	ROD, CONNECTING			
18	+	610327-01261	2	BEARING, NEEDLE			
19		V060-000030	1	GEAR, SPUR			
20		V110-000030	1	GASKET, GEAR CASE			
21		C542-000020	1	PLATE, CASE LID			
22		V541-000100	1	SEAL			
23		C531-000280	1	CASE, GEAR			
24		433022-06460	8	NUT			
25		900603-00006	5	WASHER 6	6.5*13*1		

8. Gear Case, Cutter(Sr/Nr 36001100 and before)



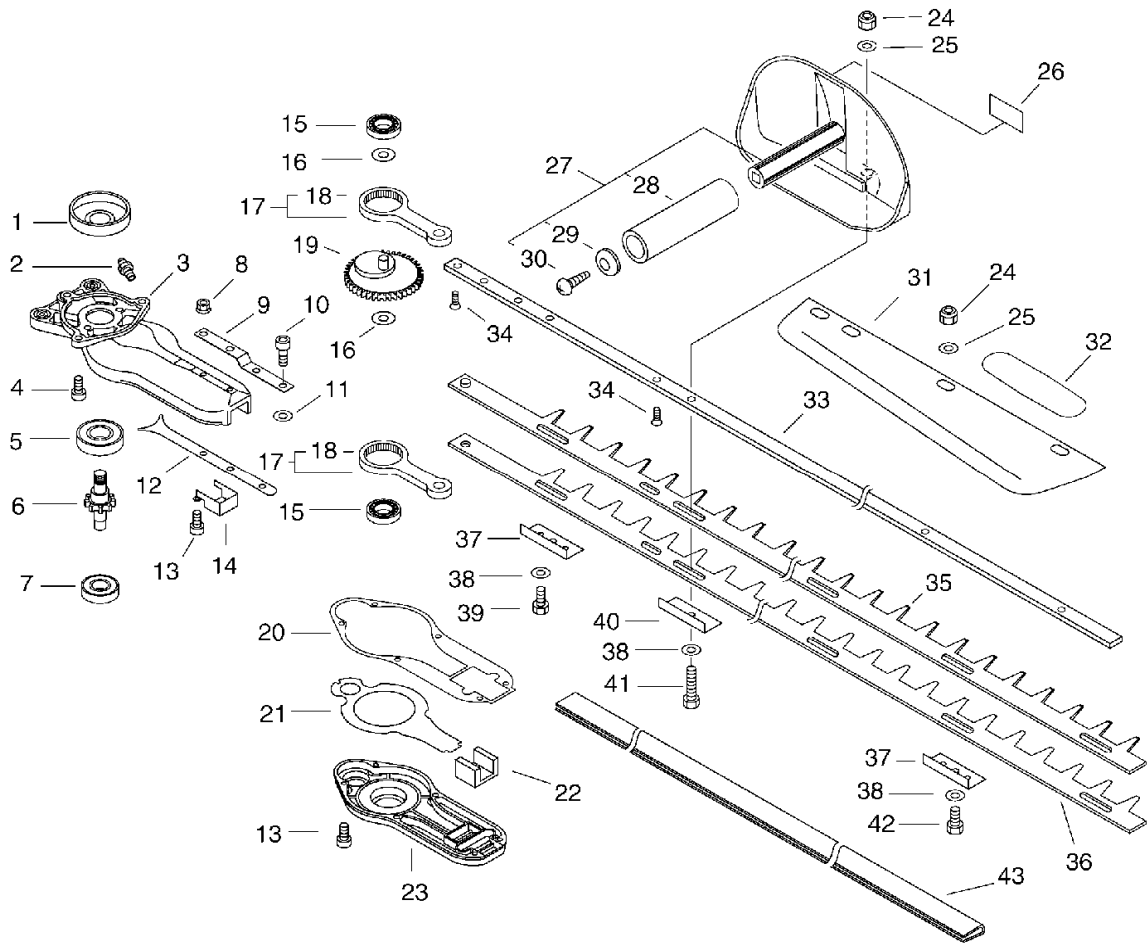
KEY	LV	PART NUMBER	Q'TY	DESCRIPTION	REMARKS	NOTE1	NOTE2
26		890617-07660	1	LABEL, CAUTION		Sus. by X505-002030	
26		X505-002030	1	LABEL, CAUTION	37*35		
27		351200-07362	1	HANDLE ASY			
28	+	351012-07361	1	GRIP, REAR HANDLE			
29	+	351217-07361	1	SUPPORTER, F. HANDLE			
30	+	900253-05014	1	SCREW 5*14	5*14		
31		699511-06560	1	GUIDE, CORRECTION			
32		X502-000280	1	LABEL, ECHO	195*52.5	Sus. by X502-000510	
33		X425-000300	1	SUPPORT, CUTTER	L=1047.5 T=5.0		
34		91103-06030	3	BOLT HSH	6*30		
35		X411-000510	1	CUTTER	L=1072		
36		X411-000520	1	CUTTER	L=1072		
37		699213-04160	6	INSULATOR			
38		699118-01261	7	WASHER		Sus. by 699118-04560	
38		699118-04560	7	WASHER			
39		699115-05360	1	BOLT			
40		699213-02063	1	INSULATOR			
41		351027-02060	1	BOLT			
42		699115-02062	5	BOLT			
43		898523-08960	1	SCABBARD, BLADE			

9. Gear Case, Cutter(Sr/Nr 36001101and after)



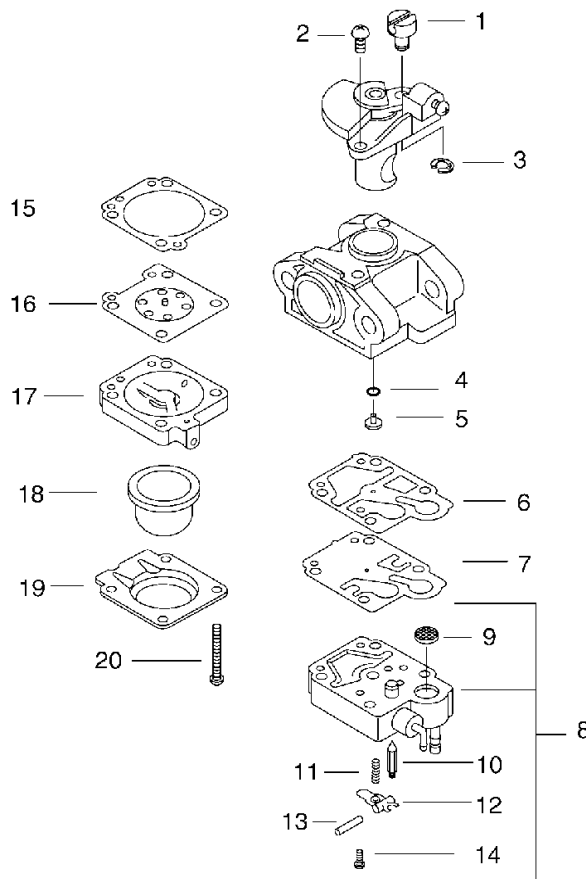
KEY	LV	PART NUMBER	Q'TY	DESCRIPTION	REMARKS	NOTE1	NOTE2
1		A556-000301	1	DRUM,CLUTCH			
2		880110-10860	1	NIPPLE, GREASE			
3		C531-000270	1	CASE,GEAR			
4		900162-06018	3	BOLT, H.S.H	6*18 W, SW		
5		900812-06200	1	BEARING, BALL 6200	6200DDU(LLU)		
6		V650-000160	1	GEAR,SPUR			
7		900804-00608	1	BEARING, BALL 608	608ZZ		
8		900515-00006	2	NUT, FLANGE 6	6		
9		699213-08960	1	PLATE			
10		900162-06012	1	BOLT, H.S. 6*12	6*12		
11		900630-00006	1	WASHER 6.5*16*2T	6.5*16*2T		
12		V150-001240	1	PLATE,EYE			
13		900162-04016	8	BOLT, H.S. 4*16	4*16 W,SW		
14		C538-000090	1	GUIDE,CUTTER			
15		900810-06200	2	BEARING, BALL 6200	6200		
16		100014-17330	2	SPACER, PISTON PIN			
17		P021-008400	2	ROD,CONNECTING			
18	+	610327-01261	2	BEARING, NEEDLE			
19		V060-000030	1	GEAR,SPUR			
20		V110-000030	1	GASKET,GEAR CASE			
21		C542-000020	1	PLATE,CASE LID			
22		V541-000100	1	SEAL			
23		C531-000280	1	CASE,GEAR			
24		433022-06460	8	NUT			
25		900603-00006	5	WASHER 6	6.5*13*1		
26		X505-002030	1	LABEL,CAUTION	37*35		

9. Gear Case, Cutter(Sr/Nr 36001101and after)



KEY	LV	PART NUMBER	Q'TY	DESCRIPTION	REMARKS	NOTE1	NOTE2
27		351200-07362	1	HANDLE ASY			
28	+	351012-07361	1	GRIP, REAR HANDLE			
29	+	351217-07361	1	SUPPORTER, F. HANDLE			
30	+	900253-05014	1	SCREW 5*14	5*14		
31		699511-06560	1	GUIDE, CORRECTION			
32		X502-000280	1	LABEL,ECHO	195*52.5	Sus. by X502-000510	
32		X502-000510	1	LABEL,ECHO	175*40		
33		X425-000300	1	SUPPORT,CUTTER	L=1047.5 T=5.0		
34		91103-06030	3	BOLT HSH	6*30		
35		X411-000510	1	CUTTER	L=1072		
36		X411-000520	1	CUTTER	L=1072		
37		699213-04160	6	INSULATOR			
38		699118-04560	7	WASHER			
39		699115-05360	1	BOLT			
40		699213-02063	1	INSULATOR			
41		351027-02060	1	BOLT			
42		699115-02062	5	BOLT			
43		898523-08960	1	SCABBARD, BLADE			

10. Carburetor



KEY	LV	PART NUMBER	Q'TY	DESCRIPTION	REMARKS	NOTE1	NOTE2
		A021-000691	1	CARBURETOR,DIAPHRAGM	WYL-192A		
1	+	123172-45130	1	SWIVEL			
2	+	123114-44330	2	SCREW			
3	+	123173-07930	1	CLIP			
4	+	123183-40630	1	O-RING			
5	+	P003-000280	1	JET			
6	+	123125-40630	1	GASKET, PUMP			
7	+	123112-40630	1	DIAPHRAGM, PUMP			
8	+	P003-000780	1	BODY ASY,PUMP			
9	++	123126-10631	1	SCREEN, INLET			
10	++	123137-19830	1	VALVE, INLET NEEDLE			
11	++	123122-05560	1	SPRING, METER. LEVER			
12	++	123123-03930	1	LEVER, METERING			
13	++	123138-03930	1	PIN, METERING LEVER			
14	++	123139-05560	1	SCREW, M. LEVER PIN			
15	+	123140-05560	1	GASKET, M. DIAPHRAGM			
16	+	P003-000090	1	METERING, DIAPHRAGM			
17	+	123180-05560	1	BODY, AIR PURGE			
18	+	123181-40630	1	PUMP, PRIMER			
19	+	123142-05560	1	COVER, PRIMER PUMP			
20	+	123110-05560	4	SCREW, PUMP COVER			

Index

Patrs Number	Key No.	Patrs Number	Key No.	Patrs Number	Key No.
100012-61830	1 - 9	159012-03433	2 - 29	699213-04160	9 - 37
100013-61830	1 - 11	159012-03433	3 - 29	699213-08960	8 - 9
100014-17330	8 - 16	159116-21231	6 - 3	699213-08960	9 - 9
100014-17330	9 - 16	162010-55930	2 - 25	699511-06560	8 - 31
100015-61830	1 - 10	162010-55930	3 - 25	699511-06560	9 - 31
100142-12330	2 - 22	162110-56530	7 - 13	880110-10860	8 - 2
100142-12330	3 - 22	177220-42030	2 - 6	880110-10860	9 - 2
100212-61830	1 - 2	177220-42030	3 - 6	890617-07660	8 - 26
100215-03930	1 - 6	177227-42030	2 - 5	895112-00330	7 - 27
100242-61830	1 - 5	177227-42030	3 - 5	895410-00430	7 - 26
123110-05560	10 - 20	177228-44330	2 - 9	898523-08960	8 - 43
123112-40630	10 - 7	177228-44330	3 - 9	898523-08960	9 - 43
123114-44330	10 - 2	177234-05960	2 - 17	900105-05050	4 - 15
123122-05560	10 - 11	177234-05960	3 - 17	900162-04016	8 - 13
123123-03930	10 - 12	177236-61830	2 - 12	900162-04016	9 - 13
123125-40630	10 - 6	177236-61830	3 - 12	900162-05020	1 - 15
123126-10631	10 - 9	178121-43230	7 - 12	900162-05025	1 - 3
123137-19830	10 - 10	300217-00610	7 - 17	900162-05035	7 - 25
123138-03930	10 - 13	351012-07361	8 - 28	900162-05045	7 - 23
123139-05560	10 - 14	351012-07361	9 - 28	900162-06012	8 - 10
123140-05560	10 - 15	351027-02060	8 - 41	900162-06012	9 - 10
123142-05560	10 - 19	351027-02060	9 - 41	900162-06018	8 - 4
123172-45130	10 - 1	351200-07362	8 - 27	900162-06018	9 - 4
123173-07930	10 - 3	351200-07362	9 - 27	900209-05030	6 - 11
123180-05560	10 - 17	351217-07361	8 - 29	900212-06014	2 - 19
123181-40630	10 - 18	351217-07361	9 - 29	900212-06014	3 - 19
123183-40630	10 - 4	351217-07761	7 - 19	900220-04006	4 - 17
130010-44431	4 - 5	351228-07760	7 - 18	900220-04010	6 - 10
130010-61830	4 - 2	351241-01260	7 - 21	900235-05030	7 - 6
130110-54430	5 - 9	351242-06961	7 - 22	900238-05010	7 - 2
131004-55530	5 - 13	351243-01260	7 - 24	900238-05016	6 - 2
131016-55830	5 - 14	433022-06460	8 - 24	900238-05020	4 - 4
131051-56030	5 - 15	433022-06460	9 - 24	900239-05016	2 - 14
131205-19830	5 - 7	433116-35430	6 - 4	900239-05016	3 - 14
131300-56430	5 - 1	433167-39130	6 - 17	900239-05016	4 - 13
131920-55430	5 - 11	610327-01261	8 - 18	900239-05018	1 - 18
132010-52830	5 - 5	610327-01261	9 - 18	900242-05050	4 - 9
132012-11960	5 - 3	610350-12360	2 - 30	900253-04016	7 - 7
132013-09820	5 - 6	610350-12360	3 - 30	900253-05014	8 - 30
132013-26630	5 - 2	699115-02062	8 - 42	900253-05014	9 - 30
132115-55930	5 - 4	699115-02062	9 - 42	900253-05020	2 - 2
145510-61832	4 - 19	699115-05360	8 - 39	900253-05020	3 - 2
150117-09130	2 - 26	699115-05360	9 - 39	900330-30240	6 - 16
150117-09130	3 - 26	699118-01261	8 - 38	900500-00005	7 - 4
150117-16430	1 - 17	699118-04560	8 - 38	900500-00005	7 - 4
159010-10230	2 - 27	699118-04560	9 - 38	900502-00006	7 - 16
159010-10230	3 - 27	699213-02063	8 - 40	900515-00006	2 - 20
159011-03432	2 - 28	699213-02063	9 - 40	900515-00006	3 - 20
159011-03432	3 - 28	699213-04160	8 - 37	900515-00006	8 - 8

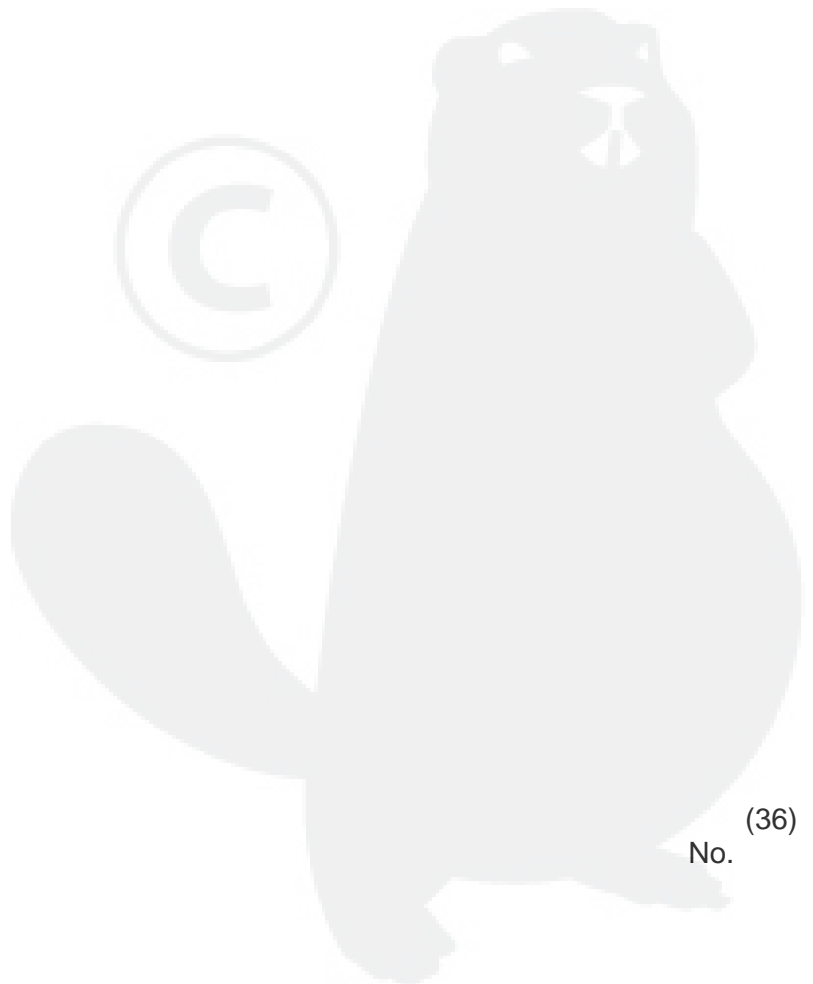
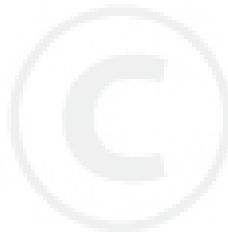
Index

Patrs Number	Key No.	Patrs Number	Key No.	Patrs Number	Key No.
900515-00006	9 - 8	C410-000170	7 - 20	V430-000980	7 - 14
900518-00006	7 - 15	C450-000022	7 - 10	V450-000380	6 - 7
900560-00005	6 - 13	C460-000011	7 - 9	V452-000050	7 - 8
900600-00005	4 - 16	C531-000270	8 - 3	V452-000060	7 - 11
900603-00006	8 - 25	C531-000270	9 - 3	V452-000150	2 - 10
900603-00006	9 - 25	C531-000280	8 - 23	V452-000150	3 - 10
900630-00006	8 - 11	C531-000280	9 - 23	V452-000180	6 - 12
900630-00006	9 - 11	C538-000090	8 - 14	V471-000630	5 - 10
900720-00015	4 - 7	C538-000090	9 - 14	V541-000100	8 - 22
900804-00608	8 - 7	C542-000020	8 - 21	V541-000100	9 - 22
900804-00608	9 - 7	C542-000020	9 - 21	V650-000160	8 - 6
900810-06200	8 - 15	P003-000090	10 - 16	V650-000160	9 - 6
900810-06200	9 - 15	P003-000280	10 - 5	X411-000510	8 - 35
900810-36000	1 - 4	P003-000780	10 - 8	X411-000510	9 - 35
900812-06200	8 - 5	P021-002612	7 - 3	X411-000520	8 - 36
900812-06200	9 - 5	P021-003340	2 - 21	X411-000520	9 - 36
91103-06030	8 - 34	P021-003340	3 - 21	X425-000300	8 - 33
91103-06030	9 - 34	P021-003941	1 - 1	X425-000300	9 - 33
91128-04022	2 - 23	P021-006131	4 - 8	X502-000280	8 - 32
91128-04022	3 - 23	P021-006410	6 - 15	X502-000280	9 - 32
93050-30098	6 - 6	P021-008400	8 - 17	X502-000510	9 - 32
A011-000180	1 - 7	P021-008400	9 - 17	X505-002030	8 - 26
A021-000691	10 -	P021-008700	4 - 18	X505-002030	9 - 26
A021-000691	4 - 6	P021-008710	1 - 8	X530-000210	3 - 32
A052-000170	2 - 15	P022-002100	2 - 18	X547-000260	2 - 1
A052-000170	3 - 15	P022-002100	3 - 18	X547-000260	3 - 1
A056-000090	2 - 31	P022-006800	2 - 8		
A056-000090	3 - 31	P022-006800	3 - 8		
A101-000090	1 - 12	P022-006820	2 - 11		
A128-000010	4 - 1	P022-006820	3 - 11		
A130-000611	1 - 14	P022-006830	2 - 7		
A160-000380	1 - 16	P022-006830	3 - 7		
A172-000250	2 - 13	P022-006840	2 - 4		
A172-000250	3 - 13	P022-006840	3 - 4		
A200-000080	4 - 3	P022-006850	2 - 16		
A226-000130	4 - 10	P022-006850	3 - 16		
A232-000130	4 - 11	P022-007740	2 - 3		
A320-000121	4 - 14	P022-007740	3 - 3		
A350-000191	5 - 12	V060-000030	8 - 19		
A411-000100	2 - 24	V060-000030	9 - 19		
A411-000100	3 - 24	V100-000120	1 - 13		
A440-000460	7 - 1	V110-000030	8 - 20		
A556-000301	8 - 1	V110-000030	9 - 20		
A556-000301	9 - 1	V150-001240	8 - 12		
A570-000111	6 - 1	V150-001240	9 - 12		
C328-000040	6 - 8	V162-000130	7 - 5		
C334-000040	6 - 5	V186-000080	5 - 8		
C334-000041	6 - 5	V299-000190	4 - 12		
C345-000131	6 - 9	V353-000060	6 - 14		

YAMABIKO CORPORATION

7-2 SUEHIROCHO 1-CHOME, OHME, TOKYO 198-8760, JAPAN
PHONE: 81-428-32-6118. FAX: 81-428-32-6145.

ECHO[®]



(36)
No.