



PARTS CATALOG

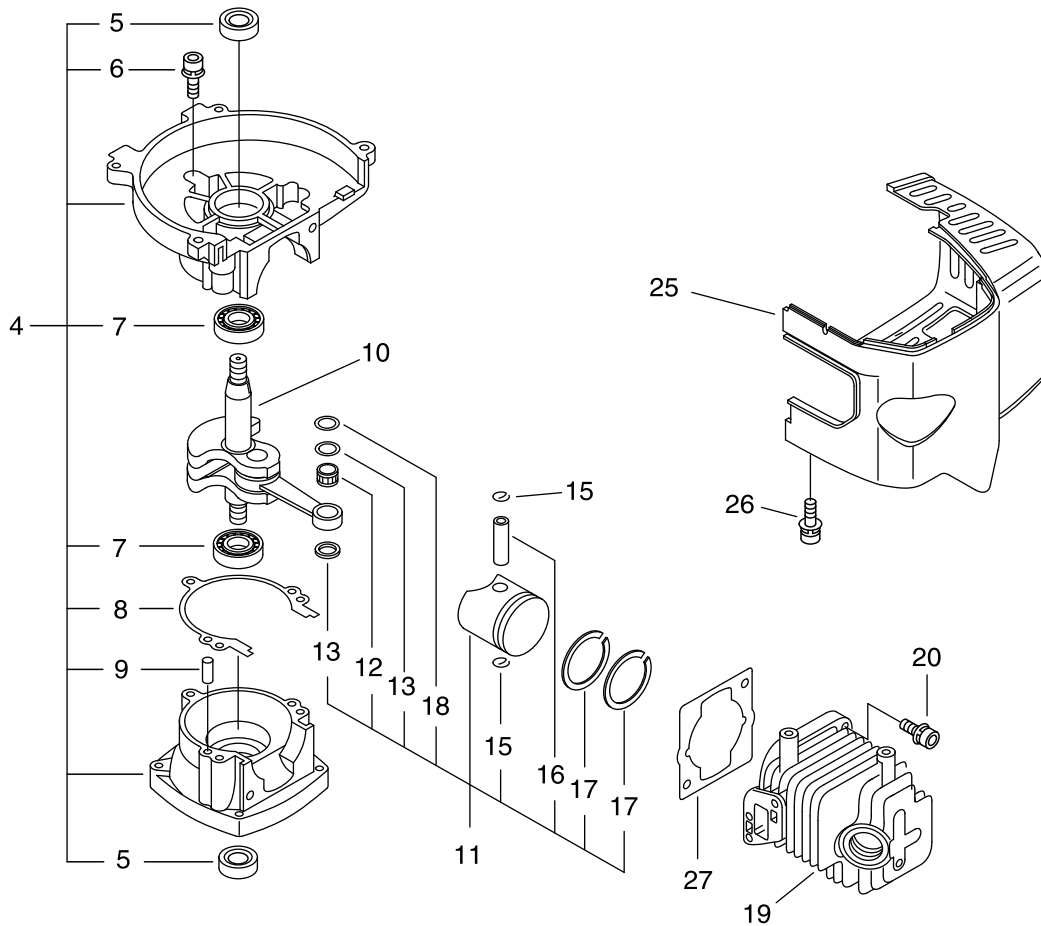
HEDGE TRIMMER

HC-1500(36)

36000001 -

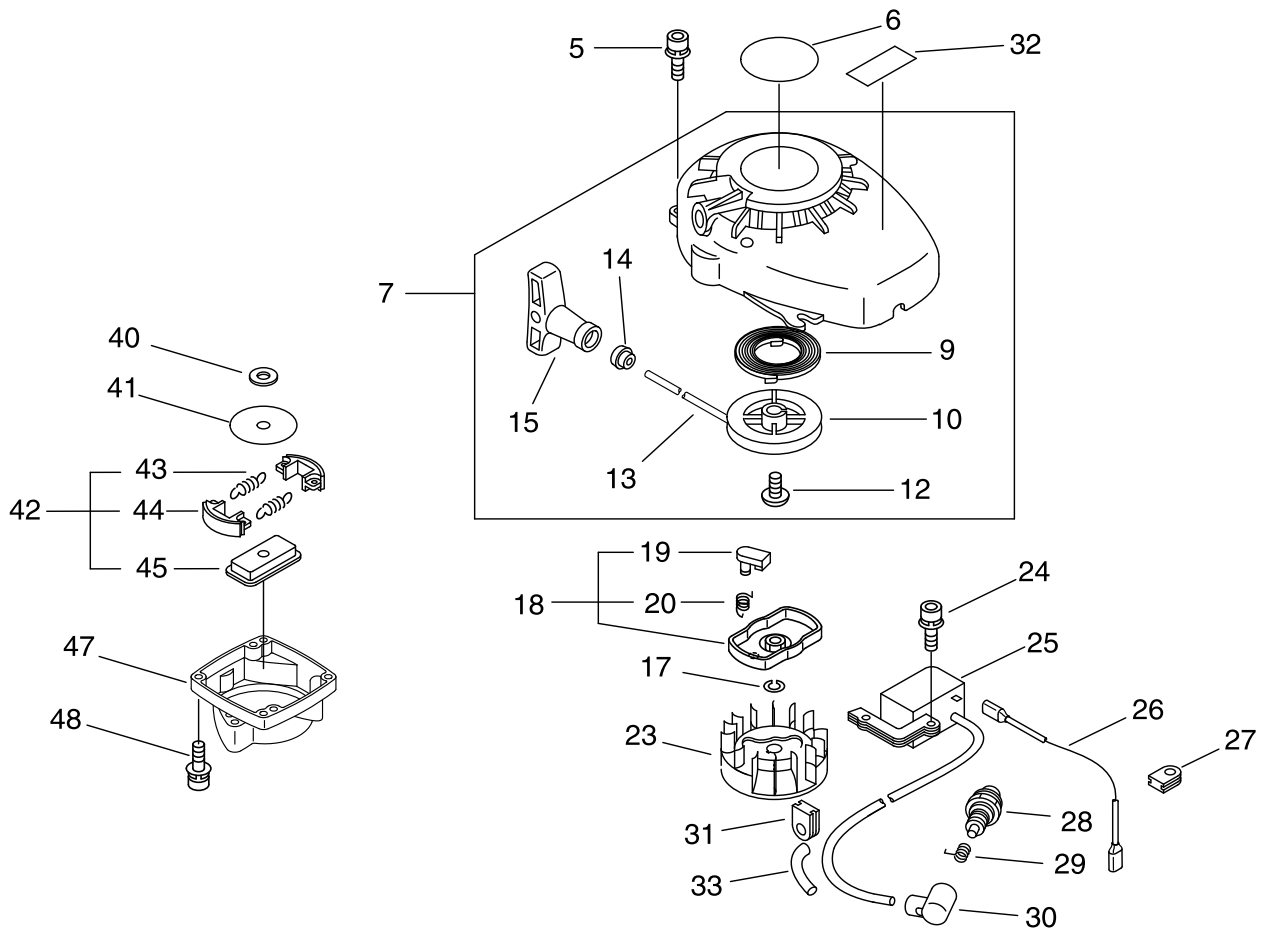
P014-002620-121b

1. CYLINDER, CRANKCASE, PISTON



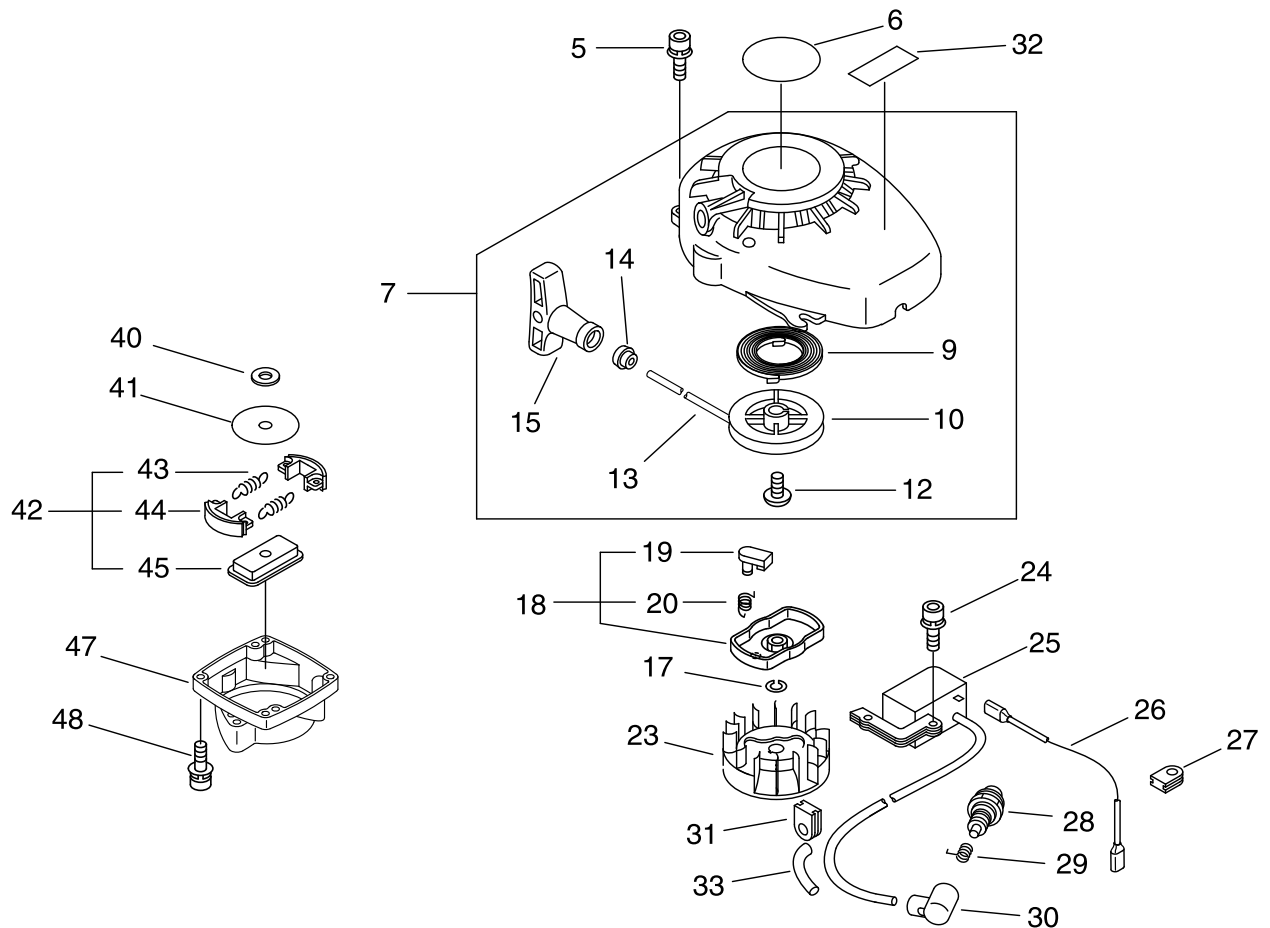
KEY	LV	PART NUMBER	Q'TY	DESCRIPTION	REMARKS	NOTE1	NOTE2
4		100204-11521	1	CRANKCASE KIT			
5	+	100212-42031	2	OILSEAL	ISCD 12*22*4.5		
6	+	900162-05028	3	BOLT, H.S. 5*28	5*28 W,SW		
7	+	94035-36201	2	BEARING BALL	6201X3JR2C3		
8	+	100242-42030	1	GASKET, CRANKCASE			
9	+	900330-40080	2	PIN F 4*8	4*8		
10		100100-06564	1	CRANKSHAFT			
11		P021-001113	1	PISTON KIT			
12	+	100113-05930	1	BEARING, NEEDLE	8*12*8		
13	+	100014-08960	2	SPACER, PISTON PIN			
15	+	100015-04630	2	CIRCLIP, PISTON PIN			
16	+	100013-11520	1	PIN, PISTON			
17	+	A101-000000	2	RING, PISTON			
18	+	V306-000150	1	WASHER, CIRCULAR 8	8.2*13*0.8		
19		101011-06562	1	CYLINDER			
20		900162-05022	2	BOLT, H.S. 5*22	5*22 W,SW		
25		101514-05361	1	COVER, CYLINDER			
26		900162-04020	2	BOLT, H.S. 4*20	4*20 W,SW		
27		101010-44332	1	GASKET, CYL. BASE			

2. STARTER, MAGNETO, CLUTCH



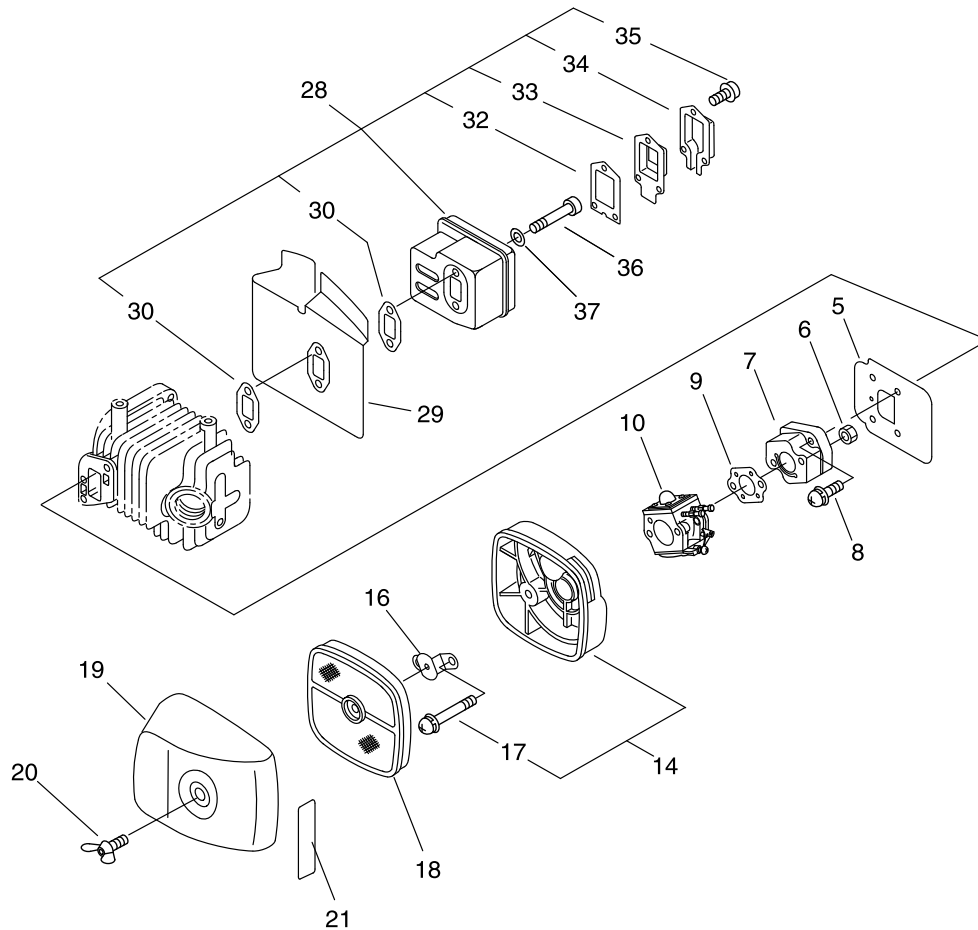
KEY	LV	PART NUMBER	Q'TY	DESCRIPTION	REMARKS	NOTE1	NOTE2
5		900162-04016	4	BOLT, H.S. 4*16	4*16 W,SW		
6		X502-000890	1	LABEL,ECHO			
7		177200-05363	1	STARTER ASSEMBLY			
9	+	177220-42030	1	SPRING, REWIND			
10	+	177215-44430	1	DRUM, STARTER			
12	+	177236-44330	1	SCREW			
13	+	P022-006800	1	ROPE, STARTER	3.0*880		
14	+	177227-42030	1	GUIDE, ROPE			
15	+	177228-06530	1	GRIP, STARTER			
17		900605-00008	1	WASHER, SPRING 8	8		
18		177202-44331	1	PAWL ASM., STARTER			
19	+	177218-44330	1	PAWL, STARTER	BLACK		
20	+	177234-12220	1	SPRING, PAWL			
23		156801-05360	1	ROTOR, MAGNETO			
24		900162-04022	2	BOLT, H.S. 4*22	4*22 W,SW		
25		A411-000080	1	COIL,IGNITION			
26		162021-52830	1	LEAD	275L		
27		156114-04920	1	GROMMET			
28		159017-12330	1	PLUG, SPARK (RCJ-8Y)	RCJ-8Y		
29		159011-03432	1	COIL, SPARK PLUG			
30		159012-03433	1	CAP, SPARK PLUG			
31		156110-04920	1	BUSHING			
32		X543-000920	1	LABEL,MODEL	HC-1500		
33		V475-007700	1	TUBE	7*8.6*L27 HST-10		
40		175014-05360	1	WASHER, CLUTCH	8.2*19*3.2		

2. STARTER, MAGNETO, CLUTCH



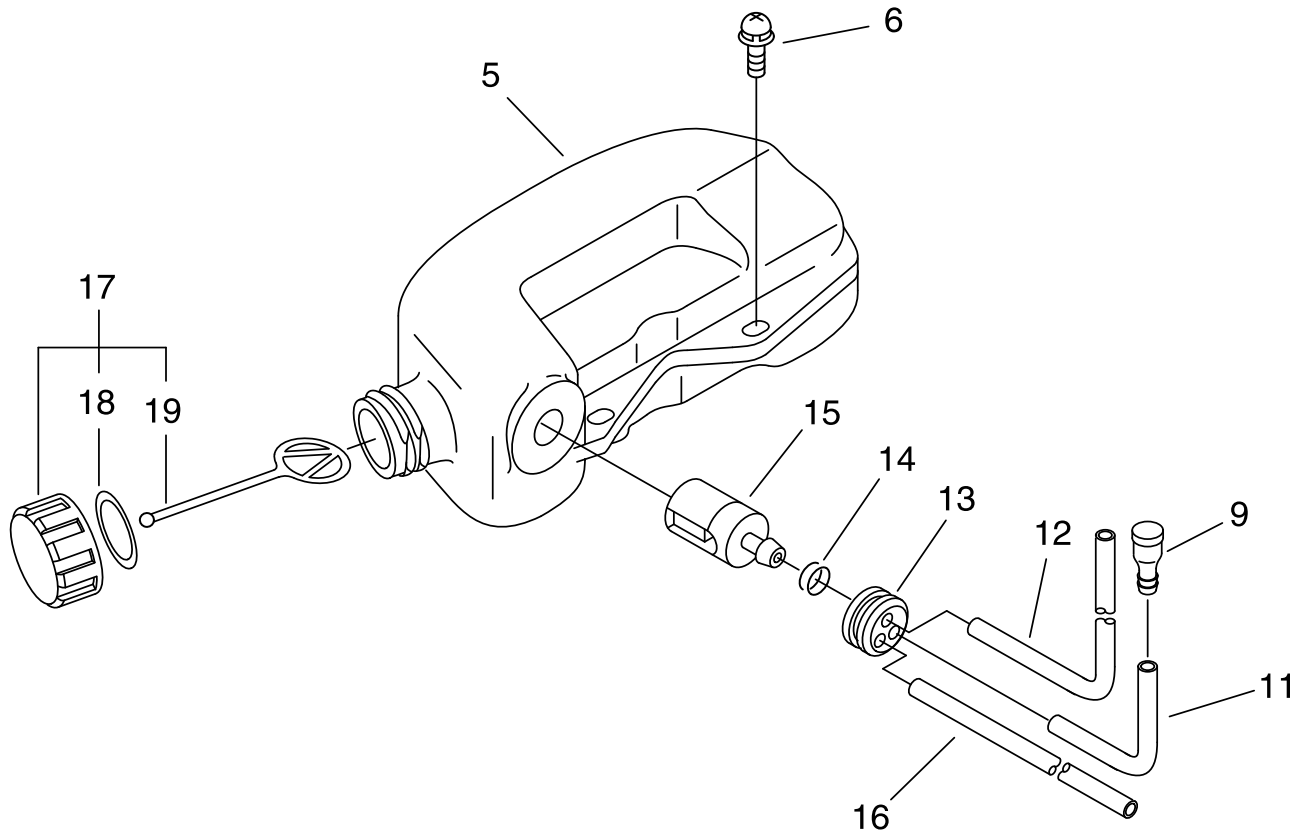
KEY	LV	PART NUMBER	Q'TY	DESCRIPTION	REMARKS	NOTE1	NOTE2
41		175019-04920	1	PLATE, CLUTCH			
42		175000-06560	1	CLUTCH ASSY			
43	+	175018-05960	2	SPRING, CLUTCH			
44	+	175009-05131	2	SHOE, CLUTCH			
45	+	175016-04920	1	HUB, CLUTCH			
47		175055-05360	1	HOUSING, CLUTCH			
48		900162-04016	2	BOLT, H.S. 4*16	4*16 W,SW		

3. AIR CLEANER, CARBURETOR, MUFFLER



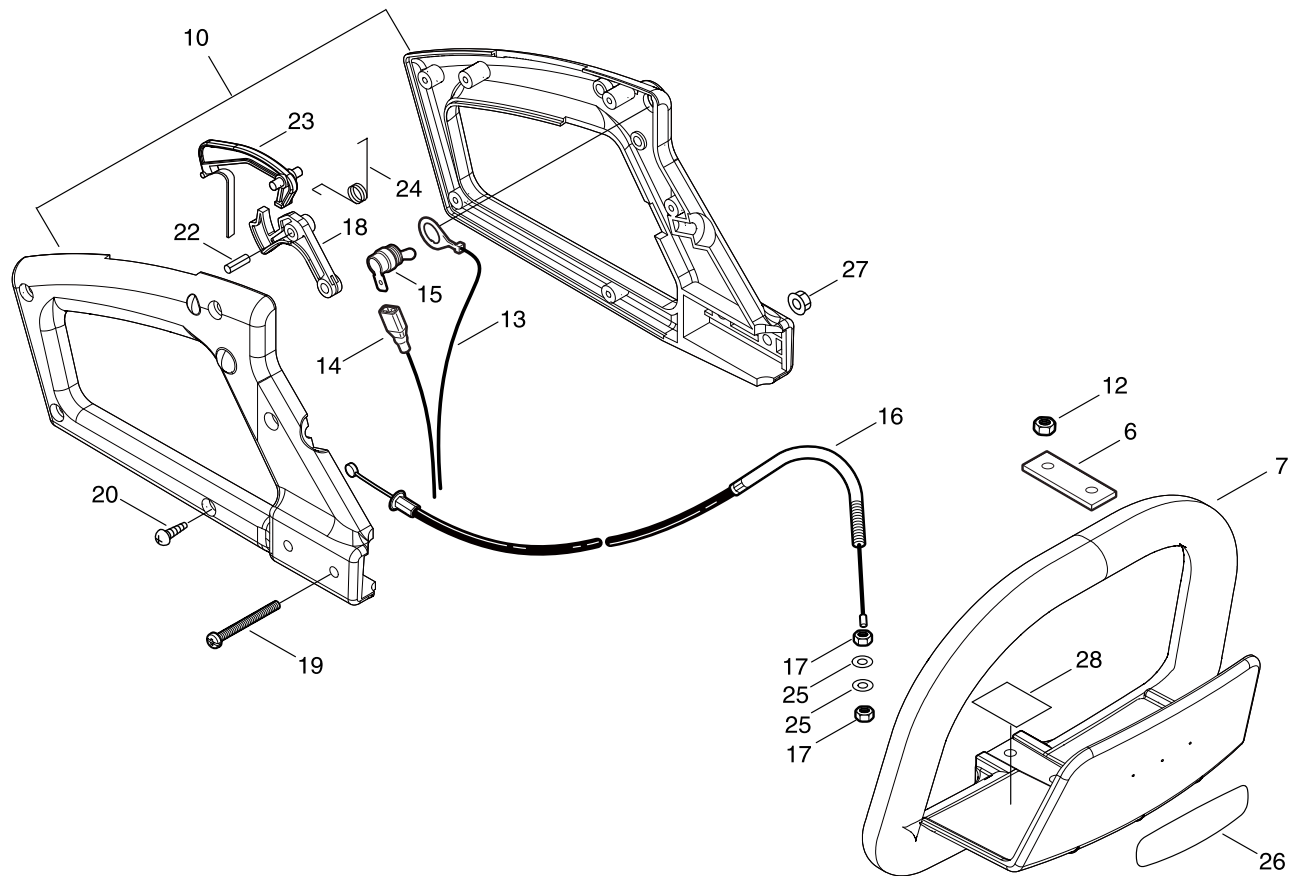
KEY	LV	PART NUMBER	Q'TY	DESCRIPTION	REMARKS	NOTE1	NOTE2
5		130010-42032	1	GASKET,INTAKE			
6		900500-00005	2	NUT 5	5		
7		130017-42031	1	INSULATOR, INTAKE			
8		900238-05020	2	SCREW 5*20	5*20		
9		130016-42031	1	GASKET, INTAKE			
10		125200-05965	1	CARBURETOR C1U-K51	C1U-K51		
14		P021-010350	1	CASE,CLEANER ASY			
17	+	900242-05065	2	SCREW 5*65	5*65		
16		129011-52730	1	PLATE, PREVENT			
18		A226-001410	1	ELEMENT,AIR FILTER			
19		130313-05863	1	LID, AIR CLEANER			
20		210417-52730	1	BOLT, WING	5*20		
21		890121-05360	1	LABEL, METERING			
28		145802-05361	1	MUFFLER ASY (SAM)			
30	+	V104-000160	2	GASKET,EXHAUST			
32	+	145866-42031	1	GASKET, MUFFLER LID			
33	+	145876-42030	1	LID, MUFFLER (B)			
34	+	A313-000010	1	GUIDE,EXH	ID#4000		
35	+	900242-04010	3	SCREW 4*10	4*10		
29		145871-05360	1	COVER, MUFFLER			
36		900105-05050	2	BOLT, H.S. 5*50	5*50		
37		900600-00005	2	WASHER 5	5		

4. FUEL TANK



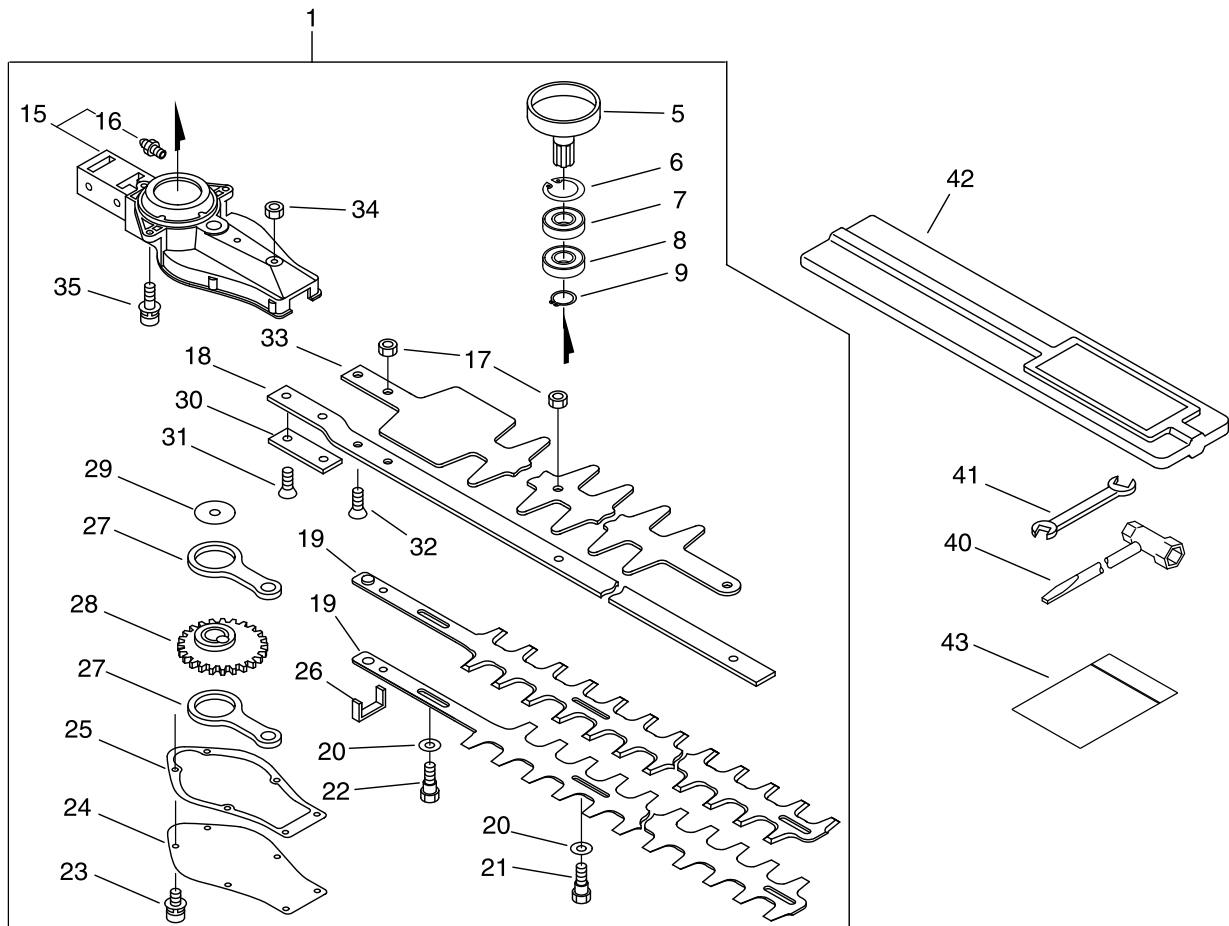
KEY	LV	PART NUMBER	Q'TY	DESCRIPTION	REMARKS	NOTE1	NOTE2
5		A350-000272	1	TANK,FUEL			
6		900239-05016	2	SCREW 5*16	5*16		
9		131300-56431	1	VENT ASSEMBLY, FUEL			
11		V471-001200	1	PIPE	3*5*70 NBR		
12		V470-000580	1	PIPE	3*5*195		
13		132115-46730	1	GROMMET, FUEL			
14		V490-001240	1	CLIP			
15		131205-07320	1	STRAINER, FUEL			
16		132010-06460	1	PIPE 3* 6*110	3*6*110 YL		
17		131004-08960	1	CAP ASSY, FUEL			
18	+	131016-55830	1	GASKET, FUEL CAP			
19	+	131051-52430	1	CONNECTOR, CAP	80L		

5. HANDLE



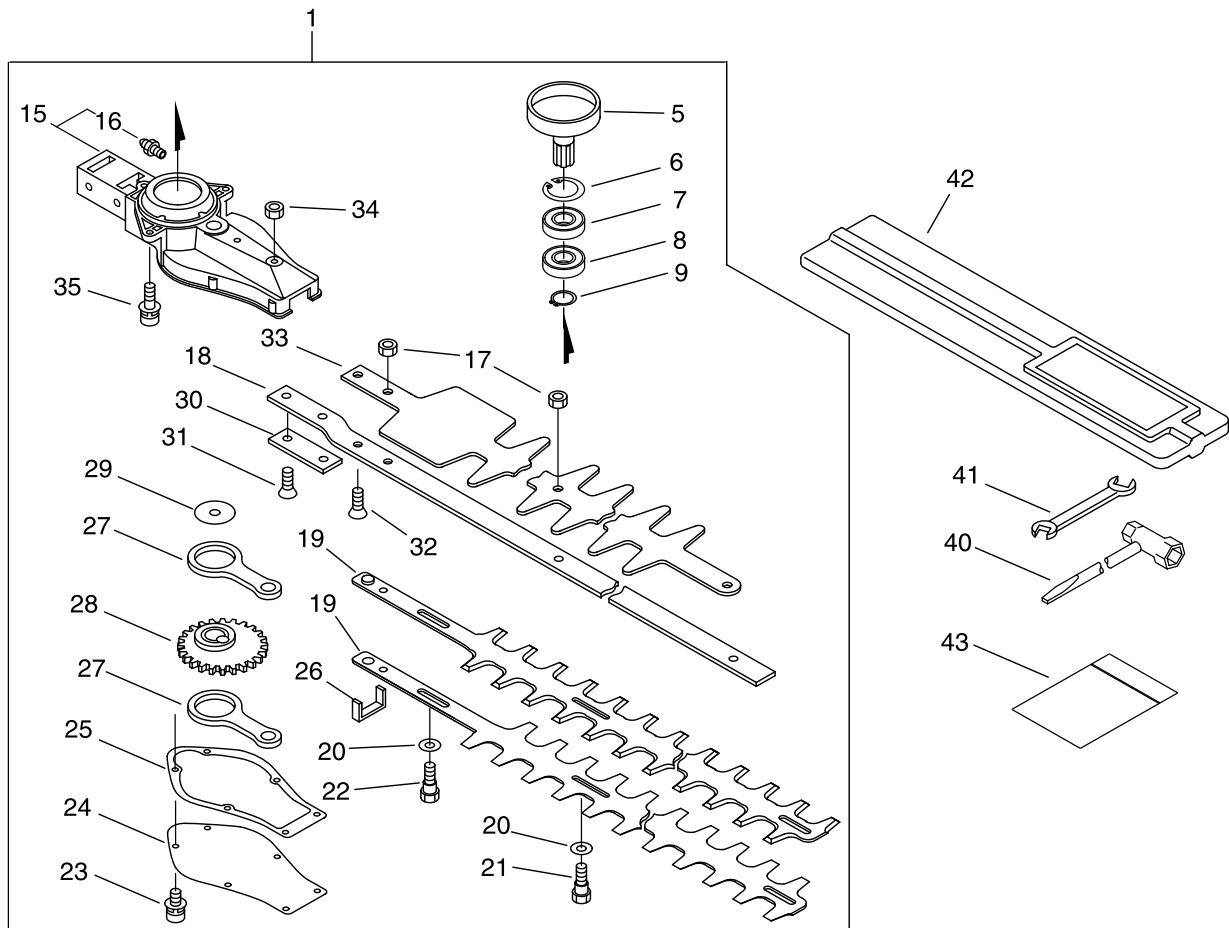
KEY	LV	PART NUMBER	Q'TY	DESCRIPTION	REMARKS	NOTE1	NOTE2
6		351611-05360	1	WASHER			
7		351610-05360	1	HANDLE, FRONT			
10		351100-06560	1	HANDLE SET, REAR			
12		900560-00005	1	NUT, LOCK 5	5		
13		162010-05360	1	LEAD, GROUND			
14		162014-05360	1	LEAD, GROUND			
15		163400-03460	1	SWITCH, IGNITION			
16		178001-05360	1	WIRE, THROTTLE			
17		900502-00006	2	NUT 6 (3N)	3N6		
18		178010-06560	1	CONTROL, THROTTLE			
19		900242-05050	2	SCREW 5*50	5*50		
20		900255-04016	5	SCREW 4*16	4*16		
22		900342-50025	1	PIN, SPRING 5*25	5*25		
23		178090-06560	1	LOCKOUT, T. CONTROL			
24		178043-15130	1	SPRING, THR. RETURN			
25		900600-00006	2	WASHER 6	6		
26		X502-000430	1	LABEL,ECHO			
27		92108-05000	2	NUT, FLANGE			
28		X505-002030	1	LABEL,CAUTION	37*35		

6. GEAR CASE, CUTTER



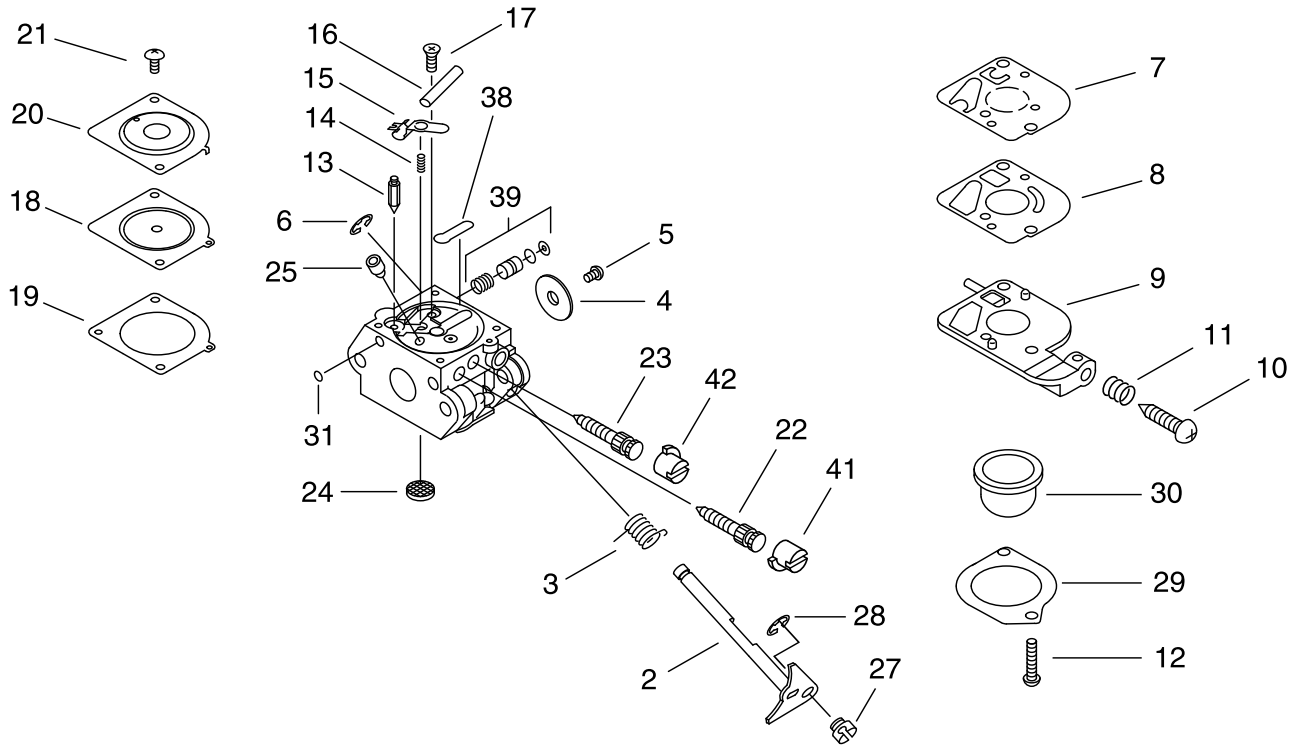
KEY	LV	PART NUMBER	Q'TY	DESCRIPTION	REMARKS	NOTE1	NOTE2
1		P021-009371	1	HOUSING ASSY,GEAR			
5	+	175005-04560	1	DRUM, CLUTCH			
6	+	900702-00035	1	CIRCLIP 35	CR-35		
7	+	900813-36202	1	BEARING, BALL 6202	6202Z/C3		
8	+	900810-36202	1	BEARING, BALL 6202	6202/C3		
9	+	900701-00014	1	CIRCLIP 14	CS-14		
15	+	610407-05361	1	CASE, GEAR			
16	++	880110-10860	1	NIPPLE, GREASE			
17	+	433022-06460	4	NUT			
18	+	699110-06960	1	BAR, FRAME			
19	+	X411-000280	2	CUTTER			
20	+	699118-04560	4	WASHER			
21	+	699115-04660	3	BOLT 6	6*18L		
22	+	699115-05360	1	BOLT			
23	+	900162-04010	6	BOLT, H.S. 4*10	4*10 W,SW		
24	+	610411-05361	1	LID, GEARCASE			
25	+	610414-05360	1	GASKET, GEAR HOUSING			
26	+	610425-04560	1	SEAL			
27	+	C532-000121	2	ROD, CONNECTING			
28	+	610312-04560	1	GEAR			
29	+	610350-04560	1	WASHER			
30	+	610440-04560	1	HOLDER, FRAME			
31	+	900212-06025	2	SCREW 6*25	+SF6*25		
32	+	900212-05030	1	SCREW (5*30*P0.8)	+SF5*30		
33	+	699125-06560	1	BLUNT	539L		
34	+	900500-00006	2	NUT 6	6		

6. GEAR CASE, CUTTER



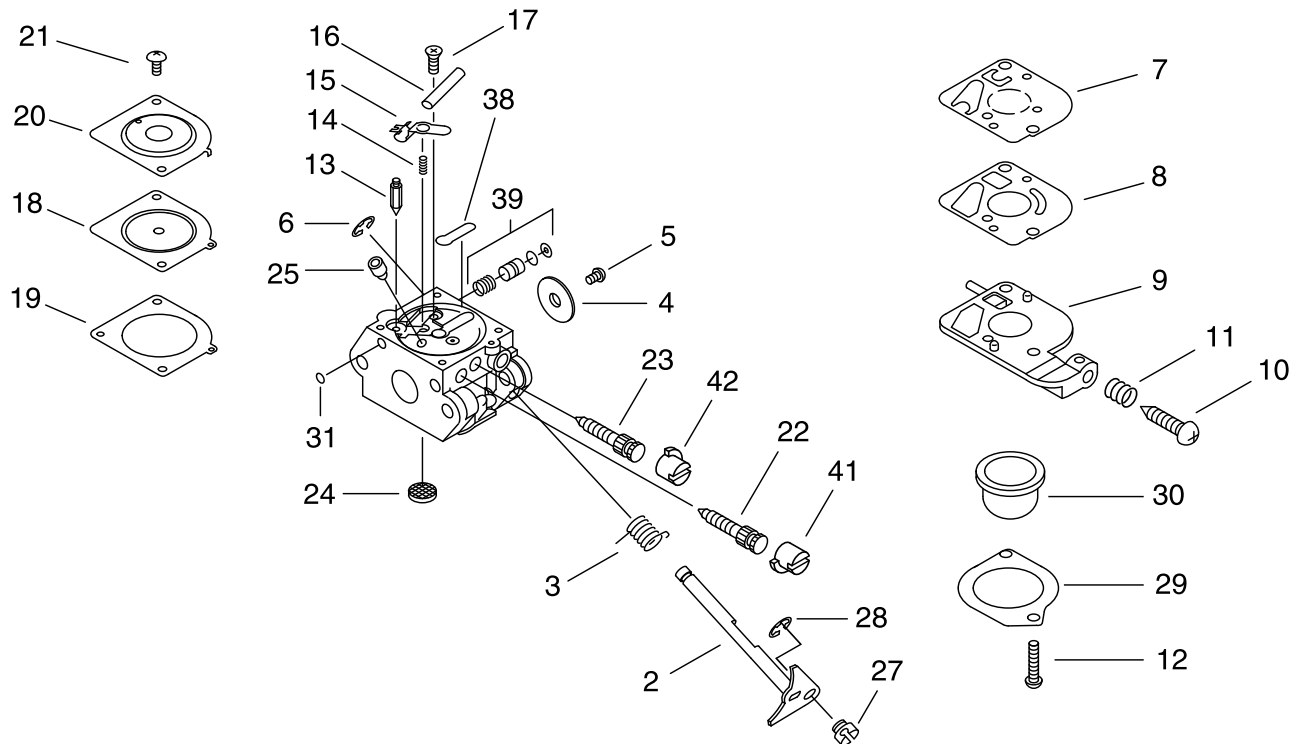
KEY	LV	PART NUMBER	Q'TY	DESCRIPTION	REMARKS	NOTE1	NOTE2
35	+	900162-05020	3	BOLT, H.S. 5*20	5*20 W,SW		
40		895410-03930	1	WRENCH, W/S. DRIVER			
41		895112-00330	1	SPANNER 8*10			
42		X495-000051	1	SCABBARD, BLADE			
43		898510-07130	1	BAG, TOOL			

7. CARBURETOR



KEY	LV	PART NUMBER	Q'TY	DESCRIPTION	REMARKS	NOTE1	NOTE2
		125200-05965	1	CARBURETOR C1U-K51	C1U-K51		
2	+	125317-13310	1	SHAFT, THROTTLE			
3	+	125313-42030	1	SPRING, THRT. RETURN			
4	+	125316-49030	1	VALVE, THROTTLE			
5	+	125314-13930	1	SCREW	3*4		
6	+	125327-15130	1	CLIP			
7	+	125312-12820	1	DIAPHRAGM, FUEL PUMP			
8	+	125325-13310	1	GASKET, PUMP			
9	+	P005-000590	1	BASE ASY PRIMER			
10	+	125334-06960	1	SCREW, THROTTLE ADJUST			
11	+	125333-06960	1	SPRING, IDLE ADJUSTER			
12	+	125310-11610	2	SCREW			
13	+	125337-06960	1	VALVE, INLET NEEDLE			
14	+	125322-42030	1	SPRING, COIL			
15	+	125323-42030	1	LEVER, METERING			
16	+	125338-13930	1	PIN, METERING ARM			
17	+	125339-42030	1	SCREW			
18	+	P005-003030	1	DIAPHRAGM, METERING			
19	+	125340-51030	1	GASKET, DIAPHRAGM			
20	+	125342-52130	1	COVER, DIAPHRAGM			
21	+	125344-52130	2	SCREW			
22	+	125320-13310	1	NEEDLE, HIGH SPEED			
23	+	125318-13120	1	SCREW, IDLE NEEDLE			
24	+	125326-42030	1	STRAINER			
25	+	P005-002210	1	NOZZLE, CHECK VALVE			
27	+	125372-42030	1	SWIVEL			

7. CARBURETOR



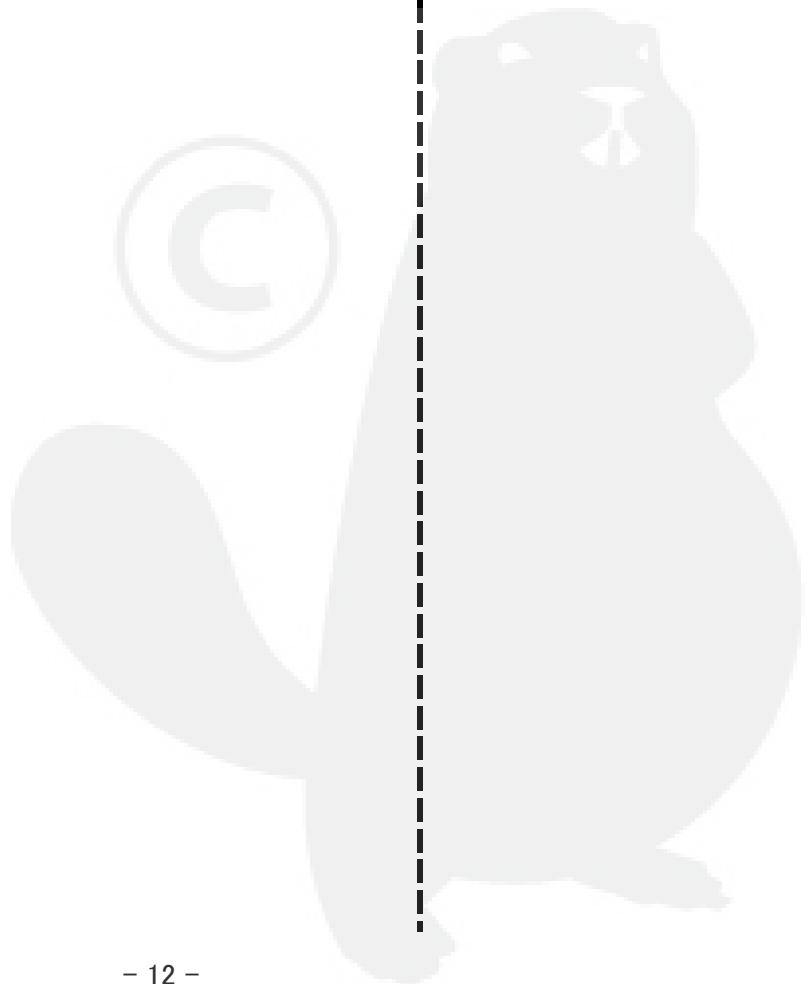
KEY	LV	PART NUMBER	Q'TY	DESCRIPTION	REMARKS	NOTE1	NOTE2
28	+	125327-13930	1	CLIP			
29	+	125363-11610	1	RING			
30	+	125381-08660	1	PUMP, PRIMING			
31	+	125345-13310	1	PLUG, WELCH			
38	+	125345-15130	1	PLUG, WELCH			
39	+	P005-002020	1	PUMP KIT, ACC			
41	+	A259-000030	1	CAP, LIMITER			
42	+	125329-09860	1	LIMITER, MIXTURE			

Index

Patrs Number	Key No.	Patrs Number	Key No.	Patrs Number	Key No.
100013-11520	1 - 16	131205-07320	4 - 15	610425-04560	6 - 26
100014-08960	1 - 13	131300-56431	4 - 9	610440-04560	6 - 30
100015-04630	1 - 15	132010-06460	4 - 16	699110-06960	6 - 18
100100-06564	1 - 10	132115-46730	4 - 13	699115-04660	6 - 21
100113-05930	1 - 12	145802-05361	3 - 28	699115-05360	6 - 22
100204-11521	1 - 4	145866-42031	3 - 32	699118-04560	6 - 20
100212-42031	1 - 5	145871-05360	3 - 29	699125-06560	6 - 33
100242-42030	1 - 8	145876-42030	3 - 33	880110-10860	6 - 16
101010-44332	1 - 27	156110-04920	2 - 31	890121-05360	3 - 21
101011-06562	1 - 19	156114-04920	2 - 27	895112-00330	6 - 41
101514-05361	1 - 25	156801-05360	2 - 23	895410-03930	6 - 40
125200-05965	3 - 10	159011-03432	2 - 29	898510-07130	6 - 43
125200-05965	7 -	159012-03433	2 - 30	900105-05050	3 - 36
125310-11610	7 - 12	159017-12330	2 - 28	900162-04010	6 - 23
125312-12820	7 - 7	162010-05360	5 - 13	900162-04016	2 - 5
125313-42030	7 - 3	162014-05360	5 - 14	900162-04016	2 - 48
125314-13930	7 - 5	162021-52830	2 - 26	900162-04020	1 - 26
125316-49030	7 - 4	163400-03460	5 - 15	900162-04022	2 - 24
125317-13310	7 - 2	175000-06560	2 - 42	900162-05020	6 - 35
125318-13120	7 - 23	175005-04560	6 - 5	900162-05022	1 - 20
125320-13310	7 - 22	175009-05131	2 - 44	900162-05028	1 - 6
125322-42030	7 - 14	175014-05360	2 - 40	900212-05030	6 - 32
125323-42030	7 - 15	175016-04920	2 - 45	900212-06025	6 - 31
125325-13310	7 - 8	175018-05960	2 - 43	900238-05020	3 - 8
125326-42030	7 - 24	175019-04920	2 - 41	900239-05016	4 - 6
125327-13930	7 - 28	175055-05360	2 - 47	900242-04010	3 - 35
125327-15130	7 - 6	177200-05363	2 - 7	900242-05050	5 - 19
125329-09860	7 - 42	177202-44331	2 - 18	900242-05065	3 - 17
125333-06960	7 - 11	177215-44430	2 - 10	900255-04016	5 - 20
125334-06960	7 - 10	177218-44330	2 - 19	900330-40080	1 - 9
125337-06960	7 - 13	177220-42030	2 - 9	900342-50025	5 - 22
125338-13930	7 - 16	177227-42030	2 - 14	900500-00005	3 - 6
125339-42030	7 - 17	177228-06530	2 - 15	900500-00006	6 - 34
125340-51030	7 - 19	177234-12220	2 - 20	900502-00006	5 - 17
125342-52130	7 - 20	177236-44330	2 - 12	900560-00005	5 - 12
125344-52130	7 - 21	178001-05360	5 - 16	900600-00005	3 - 37
125345-13310	7 - 31	178010-06560	5 - 18	900600-00006	5 - 25
125345-15130	7 - 38	178043-15130	5 - 24	900605-00008	2 - 17
125363-11610	7 - 29	178090-06560	5 - 23	900701-00014	6 - 9
125372-42030	7 - 27	210417-52730	3 - 20	900702-00035	6 - 6
125381-08660	7 - 30	351100-06560	5 - 10	900810-36202	6 - 8
129011-52730	3 - 16	351610-05360	5 - 7	900813-36202	6 - 7
130010-42032	3 - 5	351611-05360	5 - 6	92108-05000	5 - 27
130016-42031	3 - 9	433022-06460	6 - 17	94035-36201	1 - 7
130017-42031	3 - 7	610312-04560	6 - 28	A101-000000	1 - 17
130313-05863	3 - 19	610350-04560	6 - 29	A226-001410	3 - 18
131004-08960	4 - 17	610407-05361	6 - 15	A259-000030	7 - 41
131016-55830	4 - 18	610411-05361	6 - 24	A313-000010	3 - 34
131051-52430	4 - 19	610414-05360	6 - 25	A350-000272	4 - 5

Index

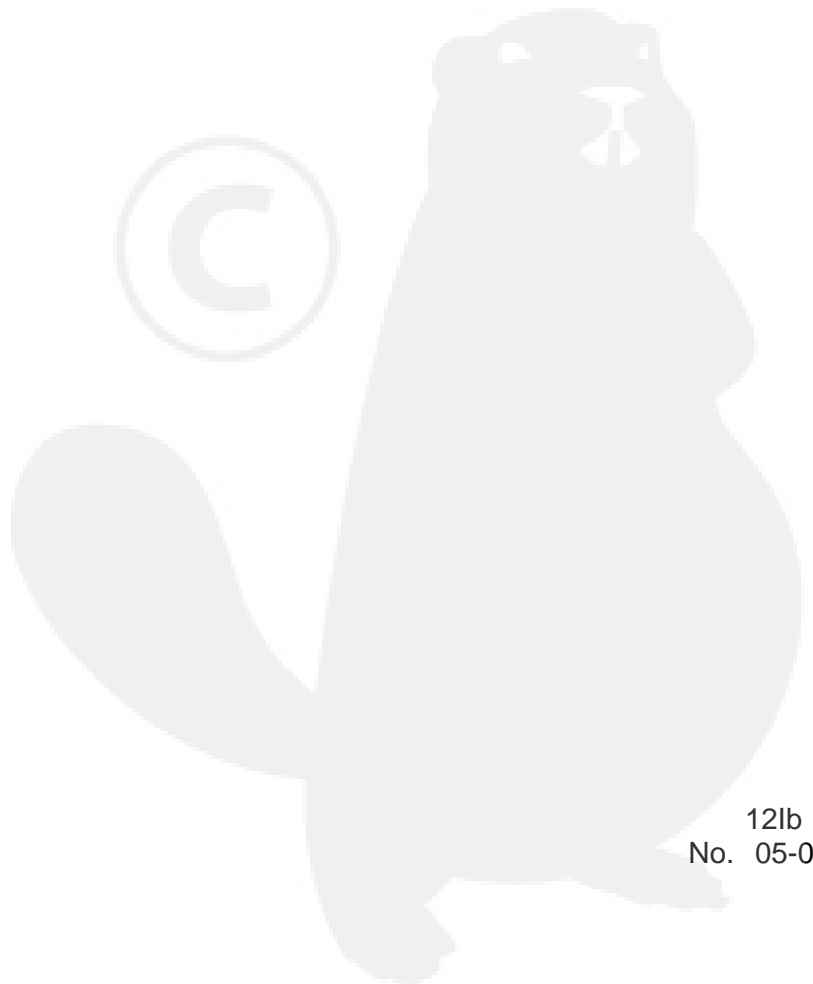
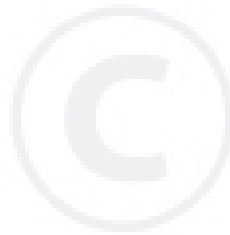
Patrs Number	Key No.	Patrs Number	Key No.	Patrs Number	Key No.
A411-000080	2 - 25				
C532-000121	6 - 27				
P005-000590	7 - 9				
P005-002020	7 - 39				
P005-002210	7 - 25				
P005-003030	7 - 18				
P021-001113	1 - 11				
P021-009371	6 - 1				
P021-010350	3 - 14				
P022-006800	2 - 13				
V104-000160	3 - 30				
V306-000150	1 - 18				
V470-000580	4 - 12				
V471-001200	4 - 11				
V475-007700	2 - 33				
V490-001240	4 - 14				
X411-000280	6 - 19				
X495-000051	6 - 42				
X502-000430	5 - 26				
X502-000890	2 - 6				
X505-002030	5 - 28				
X543-000920	2 - 32				



YAMABIKO CORPORATION

7-2 SUEHIROCHO 1-CHOME, OHME, TOKYO 198-8760, JAPAN
PHONE: 81-428-32-6118. FAX: 81-428-32-6145.

ECHO®



12lb
No. 05-071