



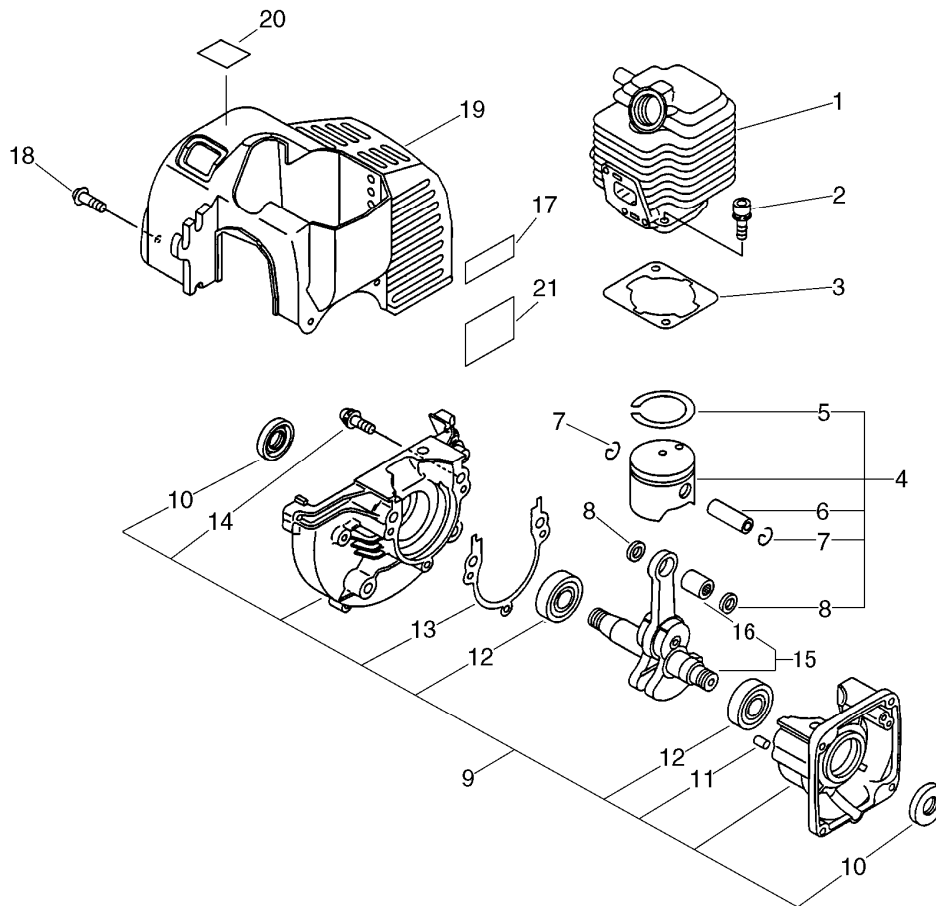
PARTS CATALOG

ENGINE DRILL EDR-2400(36)

36004301 -

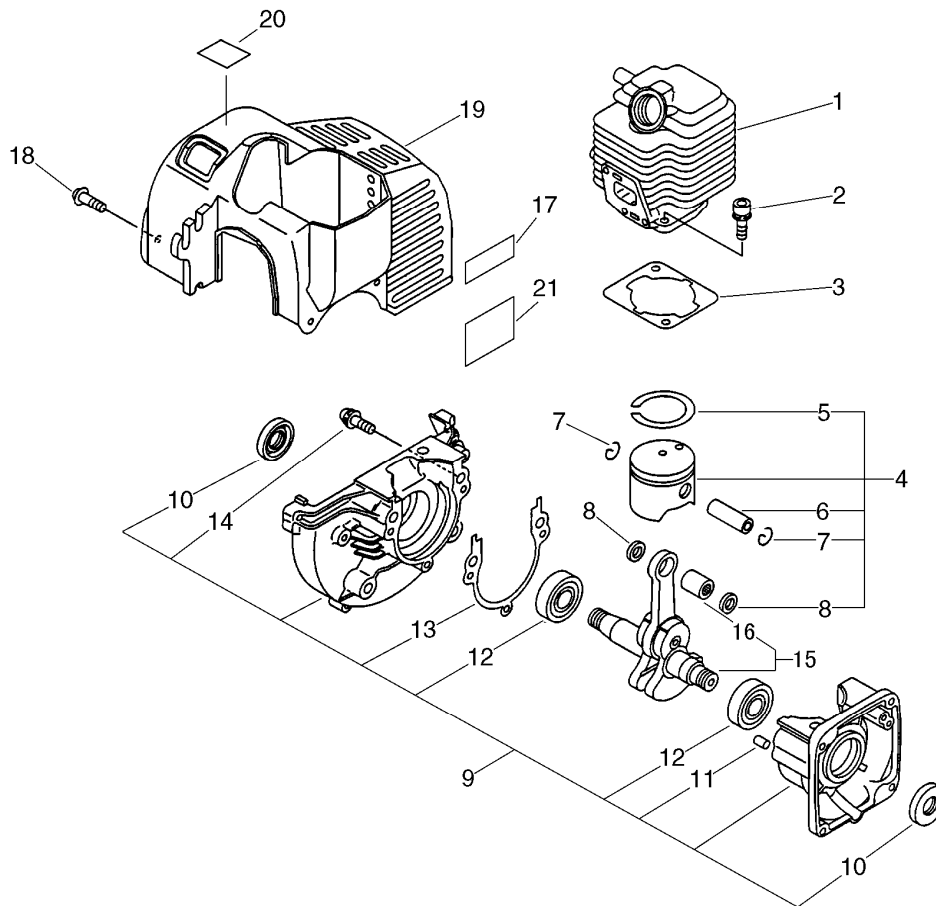
P014-000600-10Hb

1. CYLINDER, CRANKCASE, PISTON



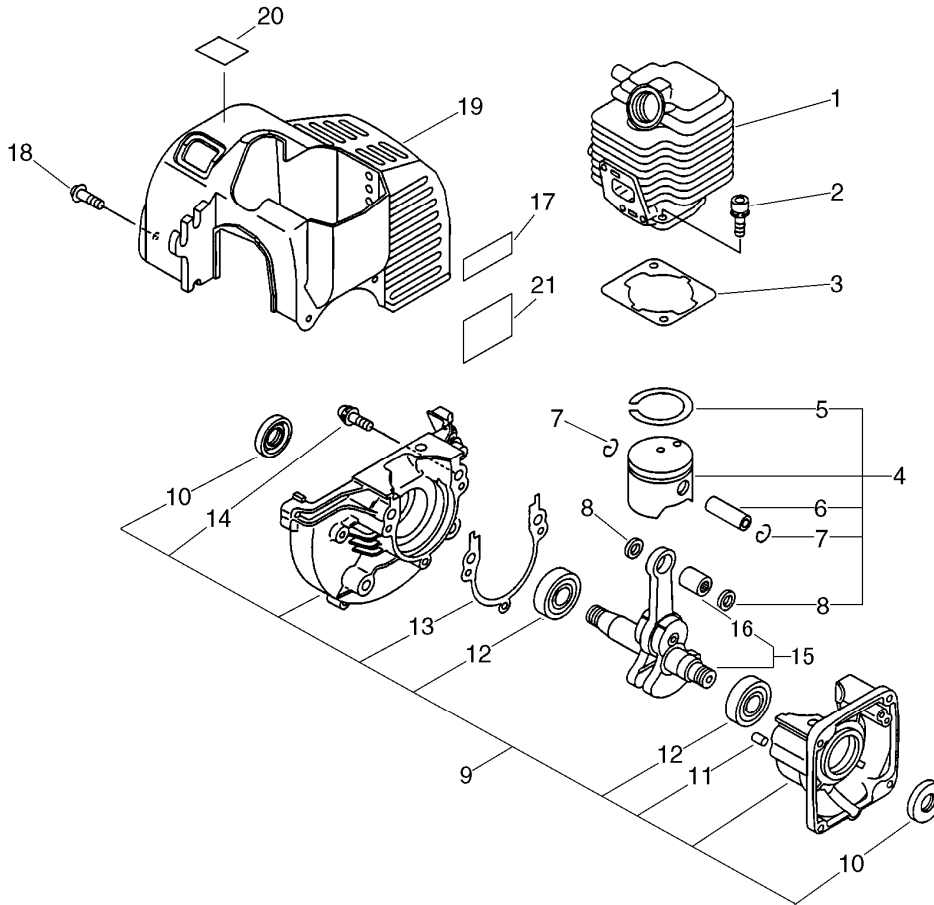
KEY	LV	PART NUMBER	Q'TY	DESCRIPTION	REMARKS	NOTE1	NOTE2
1		101011-08961	1	CYLINDER (CR)			
2		900162-05022	2	BOLT, H.S. 5*22	5*22 W,SW		
3		101010-44332	1	GASKET, CYL. BASE			
4		100000-52130	1	PISTON KIT			
5	+	100011-21230	1	RING, PISTON			
6	+	100013-11520	1	PIN, PISTON			
7	+	100015-04630	2	CIRCLIP, PISTON PIN			
8	+	100014-11520	2	SPACER, PISTON PIN			
9		100204-52133	1	CRANKCASE KIT			
10	+	100212-42031	2	OILSEAL	ISCD 12*22*4.5		
11	+	100215-03930	2	PIN, DOWEL			
12	+	94035-36201	2	BEARING BALL	6201X3JR2C3		
13	+	100242-42030	1	GASKET, CRANKCASE			
14	+	900162-05028	3	BOLT, H.S. 5*28	5*28 W,SW		
15		A011-000101	1	CRANKSHAFT,ASM			
16	+	V553-000060	1	BEARING,NEEDLE 8	HK0810FMV4		
17		X503-008980	1	LABEL,MODEL	EDR-2400		
18		900242-04012	2	SCREW 4*12	4*12		
19		101514-24360	1	COVER, CYLINDER			
20		X505-002310	1	LABEL,CAUTION	HOT CAUTION		
21		X505-002430	1	LABEL CAUTION			
1		101011-08961	1	CYLINDER (CR)			
2		900162-05022	2	BOLT, H.S. 5*22	5*22 W,SW		
3		101010-44332	1	GASKET, CYL. BASE			
4		100000-52130	1	PISTON KIT			

1. CYLINDER, CRANKCASE, PISTON



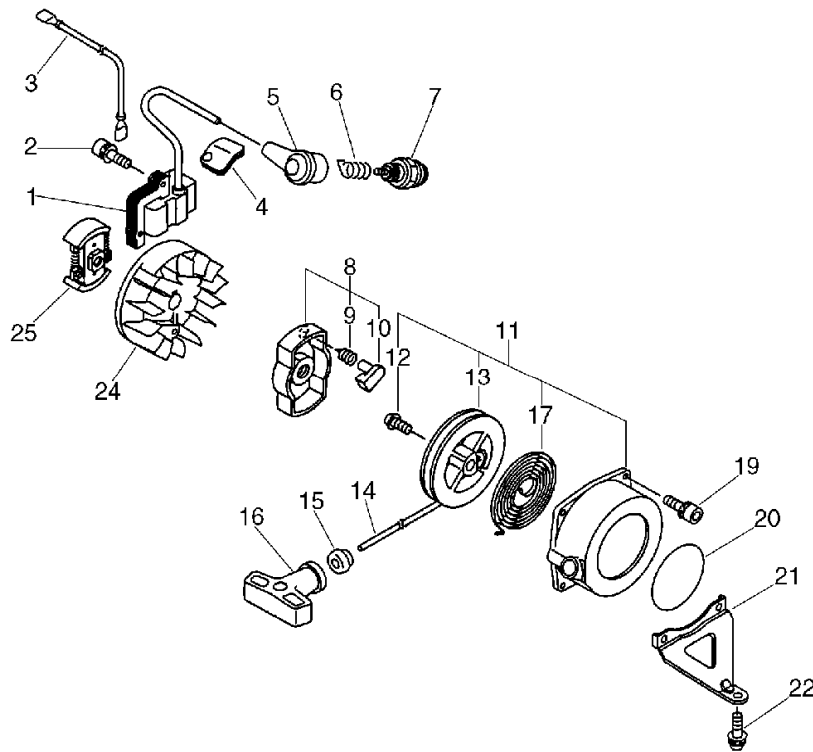
KEY	LV	PART NUMBER	Q'TY	DESCRIPTION	REMARKS	NOTE1	NOTE2
5	+	100011-21230	1	RING, PISTON			
6	+	100013-11520	1	PIN, PISTON			
7	+	100015-04630	2	CIRCLIP, PISTON PIN			
8	+	100014-11520	2	SPACER, PISTON PIN			
9		100204-52133	1	CRANKCASE KIT			
10	+	100212-42031	2	OILSEAL	ISCD 12*22*4.5		
11	+	100215-03930	2	PIN, DOWEL			
12	+	94035-36201	2	BEARING BALL	6201X3JR2C3		
13	+	100242-42030	1	GASKET, CRANKCASE			
14	+	900162-05028	3	BOLT, H.S. 5*28	5*28 W,SW		
15		A011-000101	1	CRANKSHAFT,ASM			
16	+	V553-000060	1	BEARING, NEEDLE 8	HK0810FMV4		
17		X503-008980	1	LABEL, MODEL	EDR-2400		
18		900242-04012	2	SCREW 4*12	4*12		
19		101514-24360	1	COVER, CYLINDER			
20		X505-002310	1	LABEL, CAUTION	HOT CAUTION		
21		X505-002430	1	LABEL, CAUTION			

1. CYLINDER, CRANKCASE, PISTON



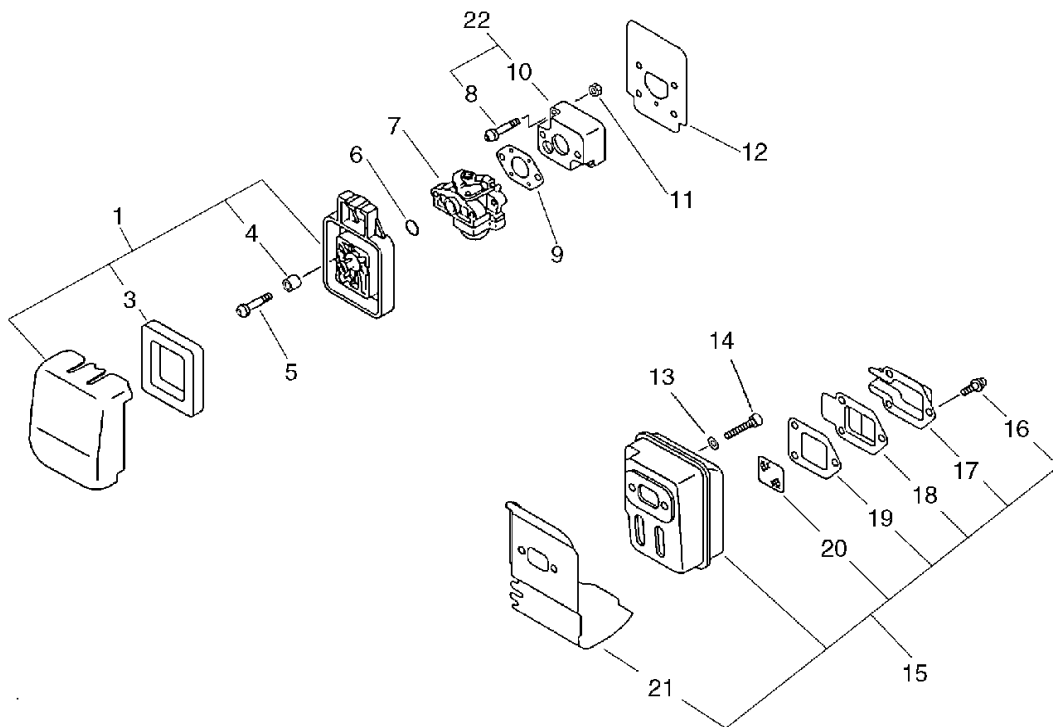
KEY	LV	PART NUMBER	Q'TY	DESCRIPTION	REMARKS	NOTE1	NOTE2
21		X505-002430	1	LABEL,CAUTION			

2. STARTER, MAGNETO, CLUTCH



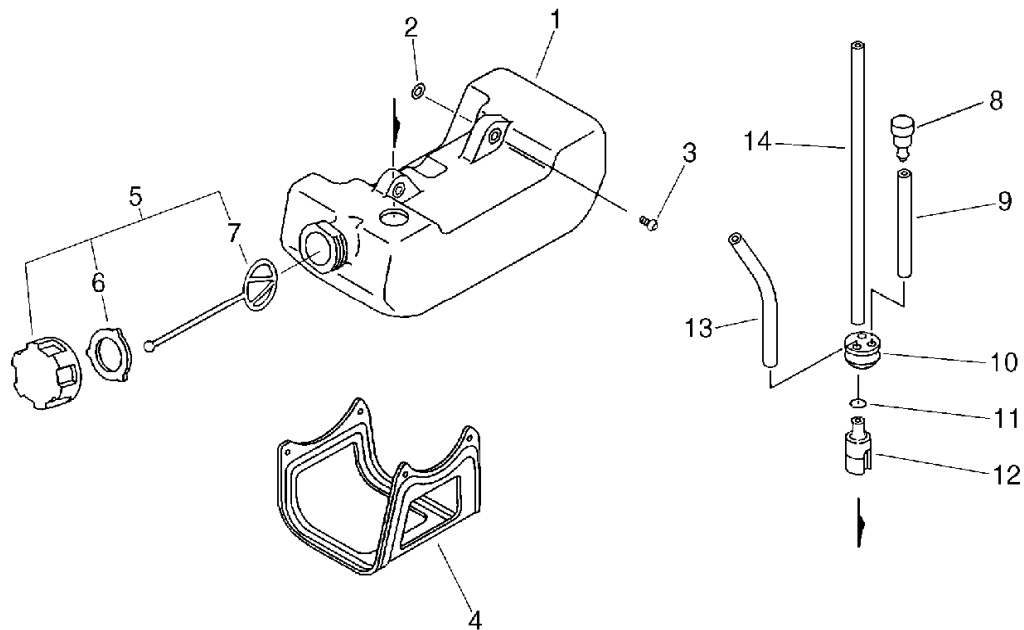
KEY	LV	PART NUMBER	Q'TY	DESCRIPTION	REMARKS	NOTE1	NOTE2
1		156601-52130	1	COIL, IGNITION			
2		900162-04022	2	BOLT, H.S. 4*22	4*22 W,SW		
3		162010-52830	1	LEAD, GROUND			
4		150112-42030	1	BUSHING			
5		159012-01620	1	CAP, SPARK PLUG			
6		159011-03432	1	COIL, SPARK PLUG			
7		159010-10230	1	PLUG, SPARK (BPMR-7A	BPMR-7A		
8		177202-44331	1	PAWL ASM., STARTER			
9	+	177234-12220	1	SPRING, PAWL			
10	+	177218-44330	1	PAWL, STARTER	BLACK		
11		177200-42033	1	STARTER ASSY			
12	+	177236-44330	1	SCREW			
13	+	177215-44430	1	DRUM, STARTER			
14	+	177226-10120	1	ROPE, STARTER	3.0*1000		
15	+	177227-42030	1	GUIDE, ROPE			
16	+	177228-06530	1	GRIP, STARTER			
17	+	177220-42030	1	SPRING, REWIND			
19		900162-04016	4	BOLT, H.S. 4*16	4*16 W,SW		
20		X502-000330	1	LABEL,ECHO	ECHO		
21		351011-05560	1	SUPPORTER, F. HANDLE			
22		900242-05016	1	SCREW 5*16	5*16		
24		156801-44731	1	FLYWHEEL			
25		175000-56831	1	CLUTCH ASSEMBLY			

3. AIR CLEANER, MUFFLER



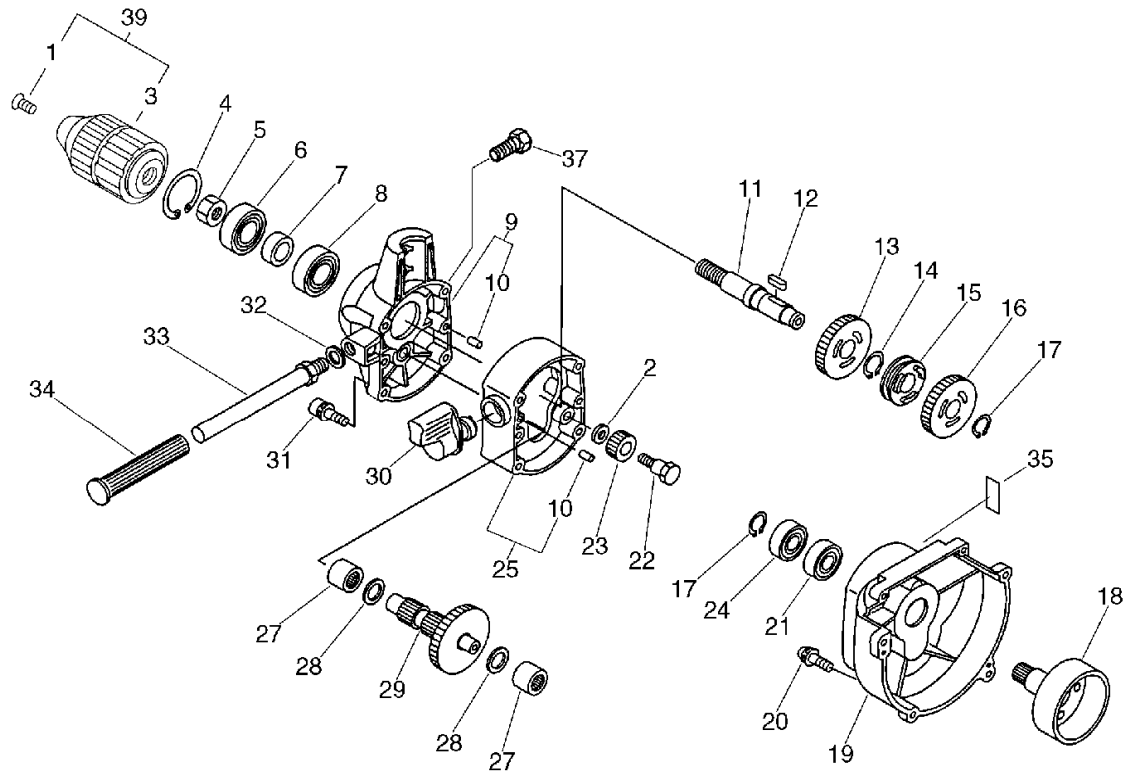
KEY	LV	PART NUMBER	Q'TY	DESCRIPTION	REMARKS	NOTE1	NOTE2
1		130300-45130	1	CLEANER ASSY, AIR			
3	+	130310-44330	1	FILTER, AIR			
4	+	130327-44330	2	SLEEVE			
5		900242-05064	2	SCREW 5*64	5*64		
6		900720-00015	1	O-RING 15	P-15		
7		123000-21361	1	CARBURETOR	WYL-56A		
9		130010-44431	1	GASKET, INTAKE			
11		900500-00005	2	NUT 5	5		
12		130010-42032	1	GASKET, INTAKE			
13		900600-00005	2	WASHER 5	5		
14		900105-05055	2	BOLT, H.S. 5*55	5*55		
15		145800-21361	1	MUFFLER ASY (SAM)			
16	+	900242-04010	3	SCREW 4*10	4*10		
17	+	145883-21361	1	GUIDE, EXHAUST			
18	+	145876-42030	1	LID, MUFFLER (B)			
19	+	145866-42031	1	GASKET, MUFFLER LID			
20	+	145862-40630	1	SCREEN, MUFFLER			
21	+	145510-44331	1	GASKET, MUFFLER			
22		P021-015350		INSULATOR KIT			
8	+	900242-05022	2	SCREW 5*22	5*22		
10	+	130017-44331	1	INSULATOR			

4. FUEL TANK



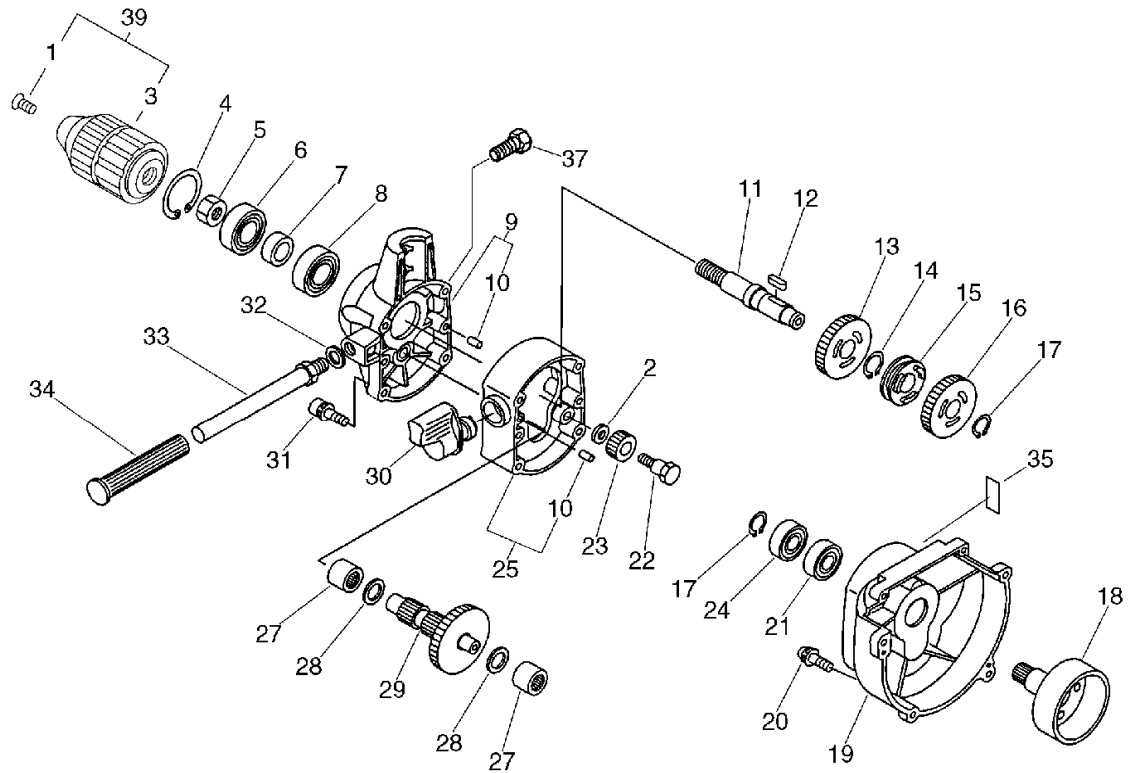
KEY	LV	PART NUMBER	Q'TY	DESCRIPTION	REMARKS	NOTE1	NOTE2
1		131005-44332	1	TANK, FUEL			
2		900603-00005	2	WASHER 5	5.5*12*0.8		
3		900243-05016	2	SCREW 5*16	5*16		
4		305110-42030	1	STAND (BL)			
5		131004-08960	1	CAP ASSY, FUEL			
6	+	131016-55830	1	GASKET, FUEL CAP			
7	+	131051-52430	1	CONNECTOR, CAP	80L		
8		131300-56430	1	VALVE, CHECK			
9		131312-05560	1	PIPE, VENT	3*5*30		
10		132115-46730	1	GROMMET, FUEL			
11		132013-09820	1	CLIP	6MM		
12		131205-07320	1	STRAINER, FUEL			
13		132012-56030	1	PIPE	3*6*80 YL		
14		132010-05560	1	PIPE, FUEL	3*5*165		
15		145800-21361	1	MUFFLER ASY (SAM)			

5. GEAR CASE, FAN COVER



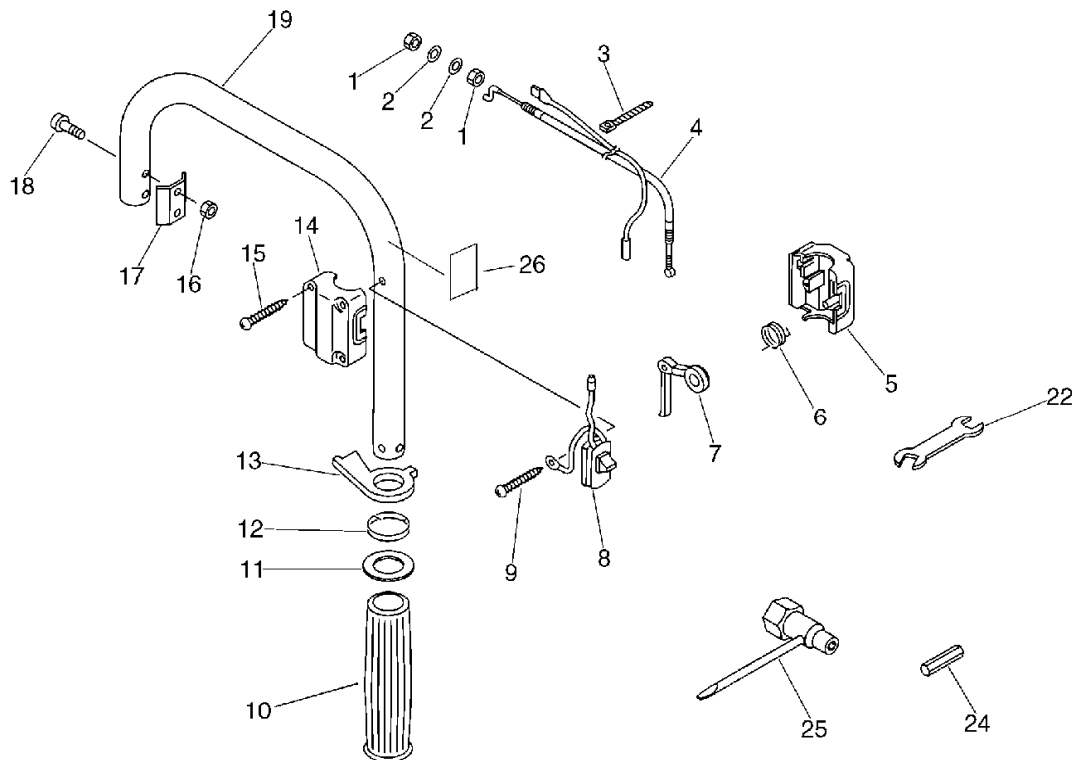
KEY	LV	PART NUMBER	Q'TY	DESCRIPTION	REMARKS	NOTE1	NOTE2
39		P021-009880	1	CHUCK SET			
1	+	91103-06020	1	BOLT HSH	6*20		
3	+	X460-000000	1	CHUCK			
2		175014-04630	1	WASHER, CLUTCH			
4		900702-00032	1	CIRCLIP 32	CR-32		
5		224319-20960	1	NUT, 12			
6		900802-06002	1	BEARING, BALL 6002	6002DDU(LLU)		
7		604044-05560	1	COLLAR			
8		900800-36002	1	BEARING, BALL 6002	6002		
9		604305-20960	1	HOUSING, GEAR			
10	+	100215-03930	2	PIN, DOWEL			
11		606021-20960	1	SHAFT, AXLE			
12		900325-04016	1	KEY, FEATHER 4*16	4*16		
13		604213-20960	1	GEAR, SPUR			
14		900701-00015	1	CIRCLIP 15	CS-15		
15		604235-20960	1	NAIL, CLUTCH			
16		604224-20960	1	GEAR, SPUR			
17		900701-00012	2	CIRCLIP 12	CS-12		
18		175005-05560	1	DRUM, CLUTCH			
19		101511-20960	1	COVER, FAN			
20		900242-04016	4	SCREW 4*16	4*16		
21		900801-06001	1	BEARING, BALL 6001	6001DU (LU)		
22		175046-22332	1	BOLT, CLUTCH			
23		605311-20960	1	GEAR, SPUR			
24		900800-06001	1	BEARING, BALL 6001			
25		604306-20960	1	CASE, GEAR			

5. GEAR CASE, FAN COVER



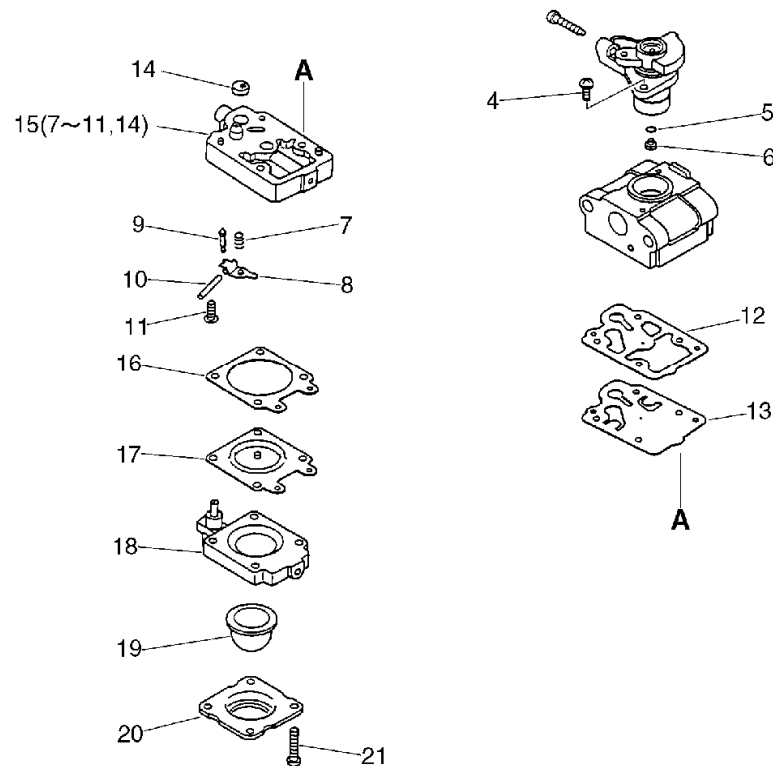
KEY	LV	PART NUMBER	Q'TY	DESCRIPTION	REMARKS	NOTE1	NOTE2
10	+	100215-03930	2	PIN, DOWEL			
27		604221-05560	2	BEARING, NEEDLE			
28		604223-05560	2	WASHER			
29		604206-20961	1	GEAR W/SHAFT			
30		703005-20960	1	LEVER, CLUTCH			
31		900162-05050	4	BOLT, H.S. 5*50	5*50 W,SW		
32		900600-00010	1	WASHER 10	10		
33		351210-05560	1	HANDLE, LEFT			
34		351515-22330	1	GRIP			
35		X505-002310	1	LABEL, CAUTION	HOT CAUTION		
37		900100-10015	1	BOLT 10*15	10*15		

6. HANDLE



KEY	LV	PART NUMBER	Q'TY	DESCRIPTION	REMARKS	NOTE1	NOTE2
1		900502-00006	2	NUT 6 (3N)	3N6		
2		900600-00006	2	WASHER 6	6		
3		178121-56030	1	BAND	CV-125B BL		
4		178100-09061	1	CABLE ASY, CONTROL			
5		178024-01261	1	BRACKET, THROTTLE			
6		178043-01260	1	SPRING, THR. RETURN			
7		178010-07660	1	CONTROL, THROTTLE			
8		163400-04460	1	SWITCH, IGNITION(JR)			
9		900245-04030	1	SCREW 4*30	4*30		
10		351315-27931	1	GRIP, HANDLE			
11		178070-02061	1	SPACER	19.5*34*0.5		
12		178013-02060	1	SPRING, THR. LOCK			
13		178012-02061	1	LOCKOUT, THROTTLE			
14		178052-01261	1	BRACKET, THROTTLE			
15		900245-04025	4	SCREW 4*25	4*25		
16		900560-00005	2	NUT, LOCK 5	5		
17		351641-05560	1	PLATE			
18		900162-05035	2	BOLT, H.S. 5*35	5*35 W,SW		
19		351305-20960	1	HANDLE			
22		895122-20960	1	SPANNER 17*19			
24		895412-20960	1	TOOL, BAR			
25		895410-03930	1	WRENCH, W/S. DRIVER			
25		895410-03930	1	WRENCH, W/S. DRIVER			

7. CARBURETOR



KEY	LV	PART NUMBER	Q'TY	DESCRIPTION	REMARKS	NOTE1	NOTE2
		123000-21361	1	CARBURETOR	WYL-56A		
4	+	123114-44330	2	SCREW			
5	+	123183-05960	1	O-RING			
6	+	123184-44330	1	JET #37	#37		
15	+	123179-05560	1	BODY ASSY, PUMP			
7	++	123122-05560	1	SPRING, METER. LEVER			
8	++	123123-03930	1	LEVER, METERING			
9	++	123137-19830	1	VALVE, INLET NEEDLE			
10	++	123138-03930	1	PIN, METERING LEVER			
11	++	123139-05560	1	SCREW, M. LEVER PIN			
14	++	123126-10631	1	SCREEN, INLET			
12	+	123125-40630	1	GASKET, PUMP			
13	+	123112-40630	1	DIAPHRAGM, PUMP			
16	+	123140-05560	1	GASKET, M. DIAPHRAGM			
17	+	123141-03930	1	DIAPHRAGM, METERING			
17	+	P003-000090	1	METERING, DIAPHRAGM			
18	+	123180-05560	1	BODY, AIR PURGE			
19	+	123181-40630	1	PUMP, PRIMER			
20	+	123142-05560	1	COVER, PRIMER PUMP			
21	+	123110-05560	4	SCREW, PUMP COVER			

8. REPAIR KIT

KEY	LV	PART NUMBER	Q'TY	DESCRIPTION	REMARKS	NOTE1	NOTE2
		123100-21360	1	REPAIR KIT	WYL-56		
7-5	+	123183-05960	1	O-RING			
7-6	+	123184-44330	1	JET #37	#37		
7-7	+	123122-05560	1	SPRING, METER. LEVER			
7-8	+	123123-03930	1	LEVER, METERING			
7-9	+	123137-19830	1	VALVE, INLET NEEDLE			
7-10	+	123138-03930	1	PIN, METERING LEVER			
7-11	+	123139-05560	1	SCREW, M. LEVER PIN			
7-12	+	123125-40630	1	GASKET, PUMP			
7-13	+	123112-40630	1	DIAPHRAGM, PUMP			
7-14	+	123126-10631	1	SCREEN, INLET			
7-15	+	123179-05560	1	BODY ASSY, PUMP			
7-16	+	123140-05560	1	GASKET, M. DIAPHRAGM			
7-17	+	123141-03930	1	DIAPHRAGM, METERING			
		123101-05560	1	GASKET/DIAPHRAGM KIT			
7-12	+	123125-40630	1	GASKET, PUMP			
7-13	+	123112-40630	1	DIAPHRAGM, PUMP			
7-16	+	123140-05560	1	GASKET, M. DIAPHRAGM			
7-17	+	123141-03930	1	DIAPHRAGM, METERING			

Index

Patrs Number	Key No.	Patrs Number	Key No.	Patrs Number	Key No.
100000-52130	1 - 4	123139-05560	7 - 11	175000-56831	2 - 25
100000-52130	1 - 4	123139-05560	8 - 7-11	175005-05560	5 - 18
100011-21230	1 - 5	123140-05560	7 - 16	175014-04630	5 - 2
100011-21230	1 - 5	123140-05560	8 - 7-16	175046-22332	5 - 22
100013-11520	1 - 6	123140-05560	8 - 7-16	177200-42033	2 - 11
100013-11520	1 - 6	123141-03930	7 - 17	177202-44331	2 - 8
100014-11520	1 - 8	123141-03930	8 - 7-17	177215-44430	2 - 13
100014-11520	1 - 8	123141-03930	8 - 7-17	177218-44330	2 - 10
100015-04630	1 - 7	123142-05560	7 - 20	177220-42030	2 - 17
100015-04630	1 - 7	123179-05560	7 - 15	177226-10120	2 - 14
100204-52133	1 - 9	123179-05560	8 - 7-15	177227-42030	2 - 15
100204-52133	1 - 9	123180-05560	7 - 18	177228-06530	2 - 16
100212-42031	1 - 10	123181-40630	7 - 19	177234-12220	2 - 9
100212-42031	1 - 10	123183-05960	7 - 5	177236-44330	2 - 12
100215-03930	1 - 11	123183-05960	8 - 7-5	178010-07660	6 - 7
100215-03930	1 - 11	123184-44330	7 - 6	178012-02061	6 - 13
100215-03930	5 - 10	123184-44330	8 - 7-6	178013-02060	6 - 12
100215-03930	5 - 10	130010-42032	3 - 12	178024-01261	6 - 5
100242-42030	1 - 13	130010-44431	3 - 9	178043-01260	6 - 6
100242-42030	1 - 13	130017-44331	3 - 10	178052-01261	6 - 14
101010-44332	1 - 3	130300-45130	3 - 1	178070-02061	6 - 11
101010-44332	1 - 3	130310-44330	3 - 3	178100-09061	6 - 4
101011-08961	1 - 1	130327-44330	3 - 4	178121-56030	6 - 3
101011-08961	1 - 1	131004-08960	4 - 5	224319-20960	5 - 5
101511-20960	5 - 19	131005-44332	4 - 1	305110-42030	4 - 4
101514-24360	1 - 19	131016-55830	4 - 6	351011-05560	2 - 21
101514-24360	1 - 19	131051-52430	4 - 7	351210-05560	5 - 33
123000-21361	3 - 7	131205-07320	4 - 12	351305-20960	6 - 19
123000-21361	7 -	131300-56430	4 - 8	351315-27931	6 - 10
123100-21360	8 -	131312-05560	4 - 9	351515-22330	5 - 34
123101-05560	8 -	132010-05560	4 - 14	351641-05560	6 - 17
123110-05560	7 - 21	132012-56030	4 - 13	604044-05560	5 - 7
123112-40630	7 - 13	132013-09820	4 - 11	604206-20961	5 - 29
123112-40630	8 - 7-13	132115-46730	4 - 10	604213-20960	5 - 13
123112-40630	8 - 7-13	145510-44331	3 - 21	604221-05560	5 - 27
123114-44330	7 - 4	145800-21361	3 - 15	604223-05560	5 - 28
123122-05560	7 - 7	145800-21361	4 - 15	604224-20960	5 - 16
123122-05560	8 - 7-7	145862-40630	3 - 20	604235-20960	5 - 15
123123-03930	7 - 8	145866-42031	3 - 19	604305-20960	5 - 9
123123-03930	8 - 7-8	145876-42030	3 - 18	604306-20960	5 - 25
123125-40630	7 - 12	145883-21361	3 - 17	605311-20960	5 - 23
123125-40630	8 - 7-12	150112-42030	2 - 4	606021-20960	5 - 11
123125-40630	8 - 7-12	156601-52130	2 - 1	703005-20960	5 - 30
123126-10631	7 - 14	156801-44731	2 - 24	895122-20960	6 - 22
123126-10631	8 - 7-14	159010-10230	2 - 7	895410-03930	6 - 25
123137-19830	7 - 9	159011-03432	2 - 6	895410-03930	6 - 25
123137-19830	8 - 7-9	159012-01620	2 - 5	895412-20960	6 - 24
123138-03930	7 - 10	162010-52830	2 - 3	900100-10015	5 - 37
123138-03930	8 - 7-10	163400-04460	6 - 8	900105-05055	3 - 14

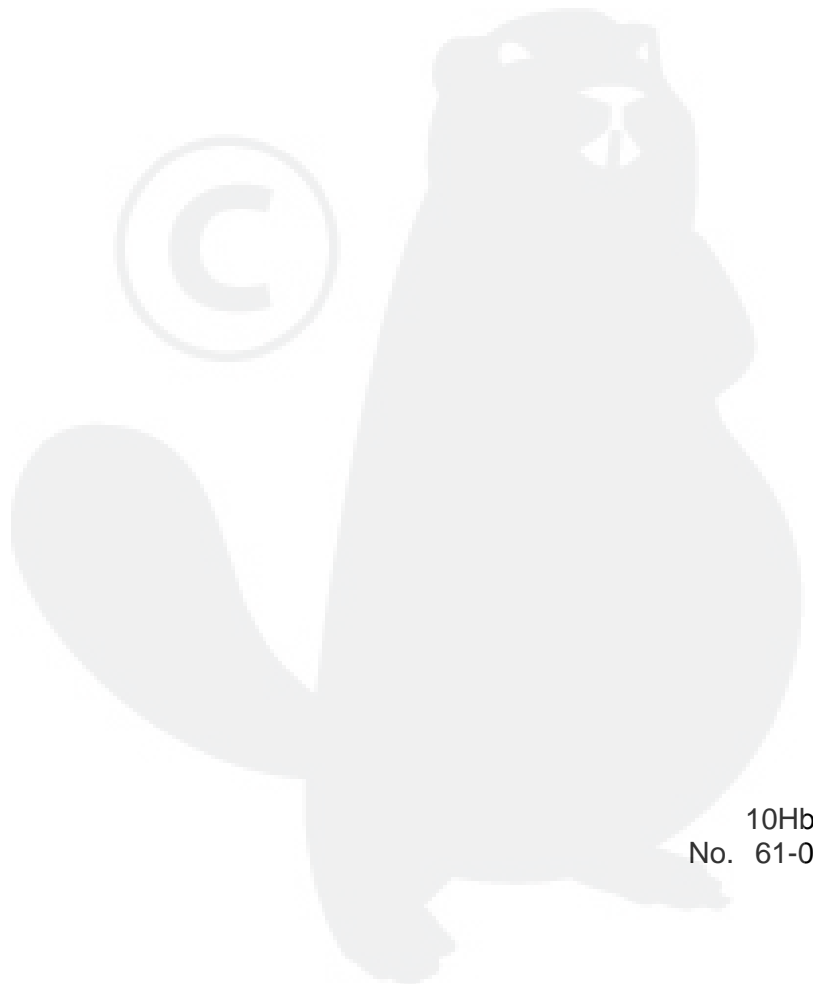
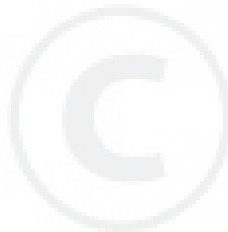
Index

Patrs Number	Key No.	Patrs Number	Key No.	Patrs Number	Key No.
900162-04016	2 - 19	X505-002310	1 - 20		
900162-04022	2 - 2	X505-002310	5 - 35		
900162-05022	1 - 2	X505-002430	1 - 21		
900162-05022	1 - 2	X505-002430	1 - 21		
900162-05028	1 - 14				
900162-05028	1 - 14				
900162-05035	6 - 18				
900162-05050	5 - 31				
900242-04010	3 - 16				
900242-04012	1 - 18				
900242-04012	1 - 18				
900242-04016	5 - 20				
900242-05016	2 - 22				
900242-05022	3 - 8				
900242-05064	3 - 5				
900243-05016	4 - 3				
900245-04025	6 - 15				
900245-04030	6 - 9				
900325-04016	5 - 12				
900500-00005	3 - 11				
900502-00006	6 - 1				
900560-00005	6 - 16				
900600-00005	3 - 13				
900600-00006	6 - 2				
900600-00010	5 - 32				
900603-00005	4 - 2				
900701-00012	5 - 17				
900701-00015	5 - 14				
900702-00032	5 - 4				
900720-00015	3 - 6				
900800-06001	5 - 24				
900800-36002	5 - 8				
900801-06001	5 - 21				
900802-06002	5 - 6				
91103-06020	5 - 1				
94035-36201	1 - 12				
94035-36201	1 - 12				
A011-000101	1 - 15				
A011-000101	1 - 15				
P003-000090	7 - 17				
P021-009880	5 - 39				
P021-015350	3 - 22				
V553-000060	1 - 16				
V553-000060	1 - 16				
X460-000000	5 - 3				
X502-000330	2 - 20				
X503-008980	1 - 17				
X503-008980	1 - 17				
X505-002310	1 - 20				

YAMABIKO CORPORATION

7-2 SUEHIROCHO 1-CHOME, OHME, TOKYO 198-8760, JAPAN
PHONE: 81-428-32-6118. FAX: 81-428-32-6145.

ECHO®



10Hb
No. 61-027