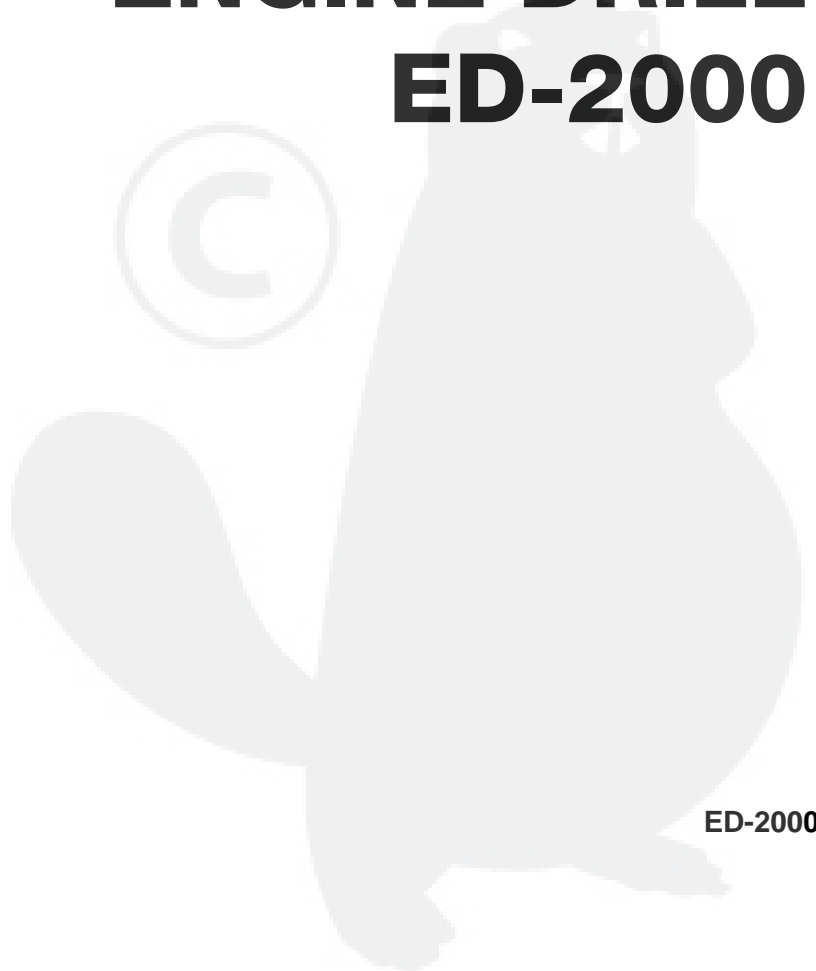
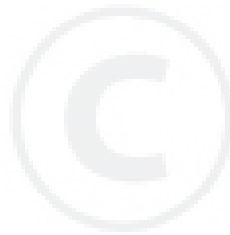




# **PARTS CATALOG**

**ENGINE DRILL**

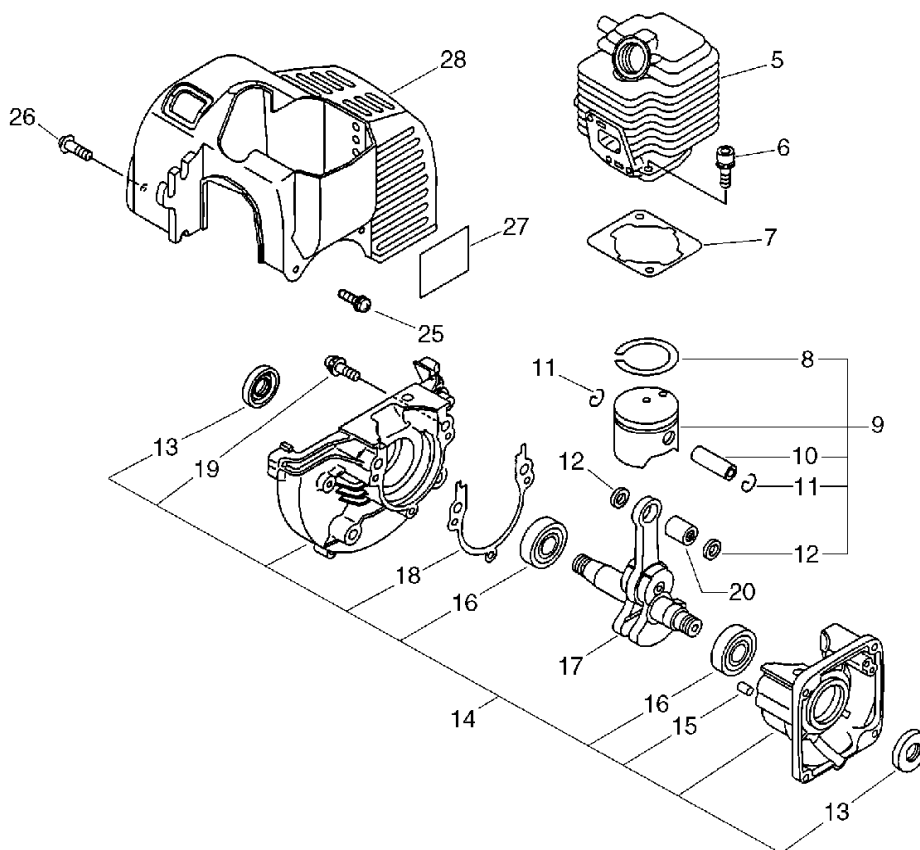
**ED-2000**



ED-2000

# 1. Cylinder, Crankcase, Piston

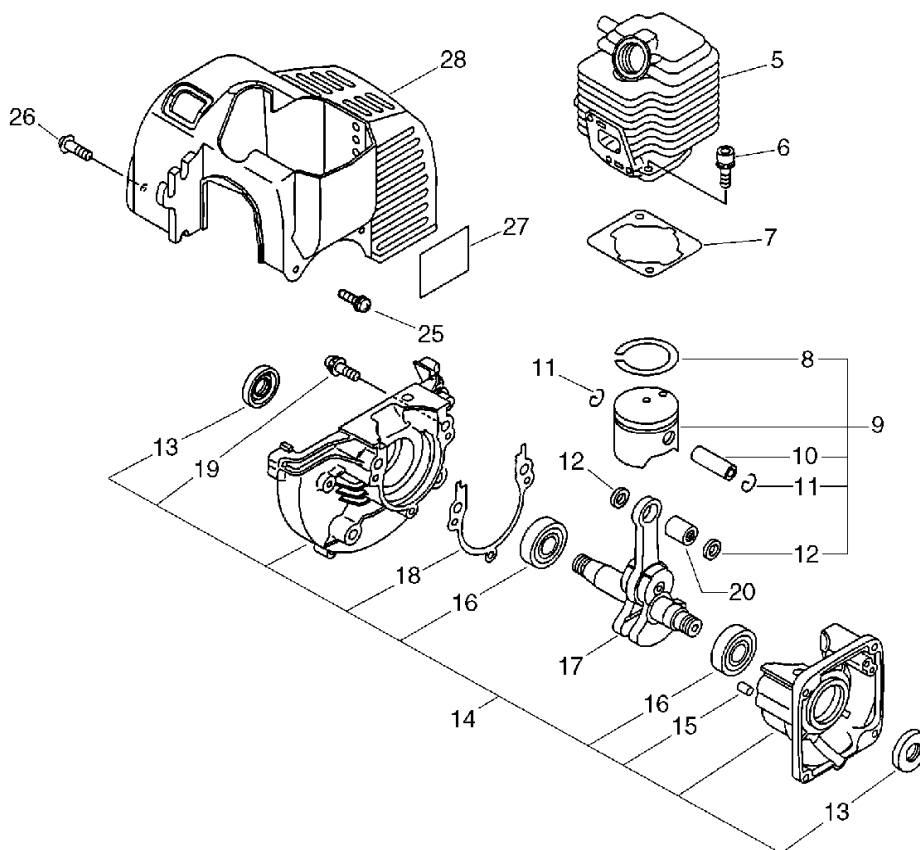
## No.1



KEY	LV	PART NUMBER	Q'TY	DESCRIPTION	REMARKS	NOTE1	NOTE2
5		101011-45230	1	CYLINDER			
6		900162-05022	2	BOLT, H.S. 5*22	5*22 W,SW		
7		101010-44332	1	GASKET, CYL. BASE			
9		100000-44330	1	PISTON KIT		Sus. by 100000-44331	
9		100000-44331	1	PISTON KIT			
8	+	100011-05330	1	RING, PISTON			
10	+	100013-11520	1	PIN, PISTON			
11	+	100015-04630	2	CIRCLIP, PISTON PIN			
12	+	100014-11520	2	SPACER, PISTON PIN			
14		100204-51030	1	CRANKCASE KIT		Sus. by 100204-51031	
14		100204-51031	1	CRANKCASE KIT			
13	+	100212-42030	2	OILSEAL	ISCD12*22*4.5	Sus. by 100212-42031	
13	+	100212-42031	2	OILSEAL	ISCD 12*22*4.5		
15	+	100215-03930	2	PIN, DOWEL			
16	+	900810-36201	2	BEARING, BALL 6201	6201/C3	Sus. by 94035-36201	
16	+	94035-36201	2	BEARING BALL	6201X3JR2C3		
18	+	100242-42030	1	GASKET, CRANKCASE			
19	+	900162-05028	3	BOLT, H.S. 5*28	5*28 W,SW		
17		100100-44331	1	CRANKSHAFT ASSY		Sus. by 100100-44332	
17		100100-44332	2	CRANKSHAFT			

# 1. Cylinder, Crankcase, Piston

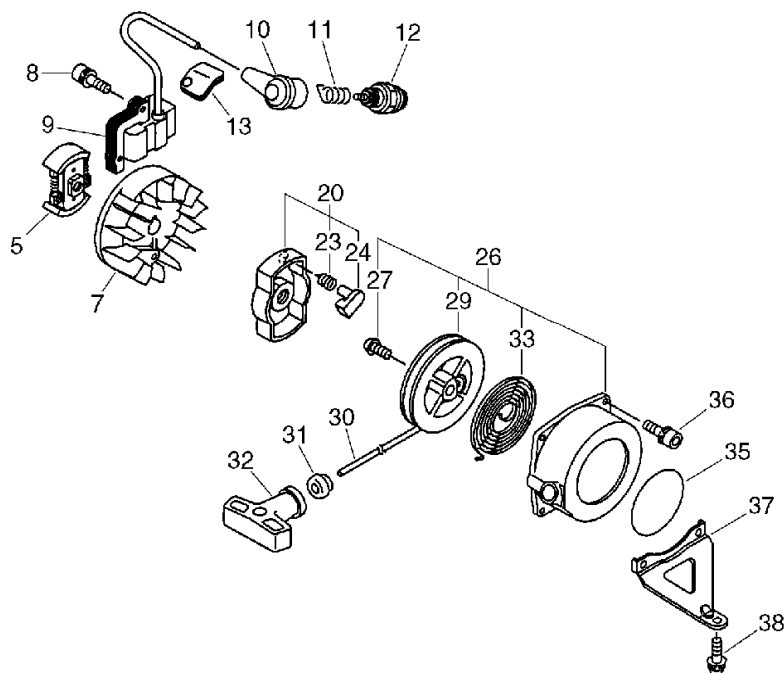
## No.1



KEY	LV	PART NUMBER	Q'TY	DESCRIPTION	REMARKS	NOTE1	NOTE2
20	+	100012-51230	1	BEARING, NEEDLE	8*12*10	Sus. by V553-000010	
20	+	V553-000010	1	BEARING, NEEDLE 8	HK0810		
25		900162-04016	2	BOLT, H.S. 4*16	4*16 W,SW		
26		900242-04012	2	SCREW 4*12	4*12		
27		890114-05560	1	LABEL, MODEL			
28		101576-05561	1	COVER, CYLINDER		Sus. by 101514-05561	
28		101514-05561	1	COVER, CYLINDER			

## 2. Starter, Magneto, Clutch

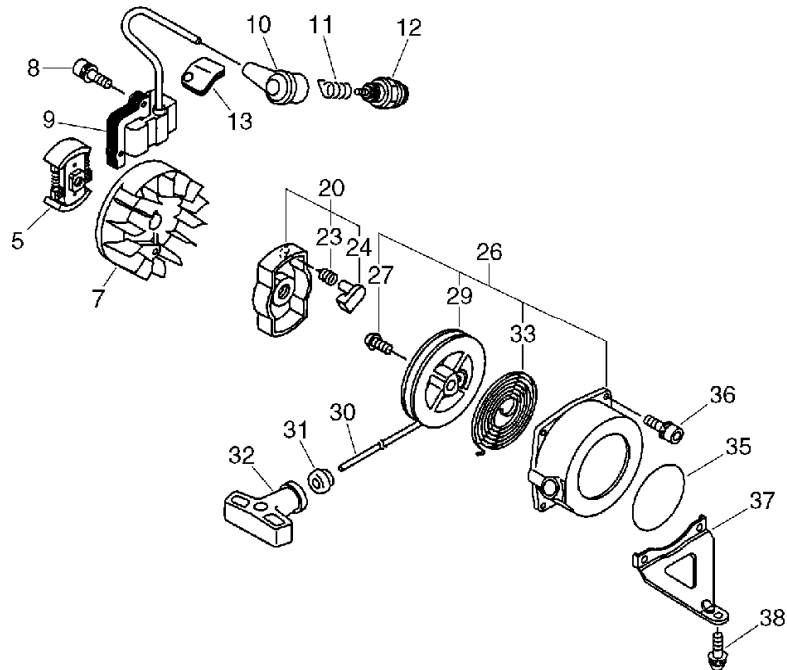
No.2



KEY	LV	PART NUMBER	Q'TY	DESCRIPTION	REMARKS	NOTE1	NOTE2
5		175000-52130	1	CLUTCH ASSY		Sus. by 175000-52131	
5		175000-52131	1	CLUTCH ASSEMBLY			
7		156801-44330	1	FLYWHEEL			
8		900162-04022	2	BOLT, H.S. 4*22	4*22 W,SW		
9		150626-05560	1	COIL, IGNITION			
10		159012-01620	1	CAP, SPARK PLUG			
11		159011-03432	1	COIL, SPARK PLUG			
12		159010-13930	1	PLUG, SPARK (CJ-8Y)	CJ-8Y		
13		150112-42030	1	BUSHING			
20		177202-44330	1	PAWL ASSY, STARTER		Sus. by 177202-44331	
20		177202-44331	1	PAWL ASM., STARTER			
23	+	177234-42030	1	SPRING, RETURN		Sus. by 177234-12220	
23	+	177234-12220	1	SPRING, PAWL			
24	+	177218-44330	1	PAWL, STARTER	BLACK		
26		177200-42033	1	STARTER ASSY			
27	+	177236-44330	1	SCREW			
29	+	177215-44430	1	DRUM, STARTER			
30	+	177226-10120	1	ROPE, STARTER	3.0*1000		
31	+	177227-42030	1	GUIDE, ROPE			
32	+	177228-06530	1	GRIP, STARTER			
33	+	177220-42030	1	SPRING, REWIND			
35		890118-44330	1	LABEL, ECHO			
36		900162-04016	2	BOLT, H.S. 4*16	4*16 W,SW		

## 2. Starter, Magneto, Clutch

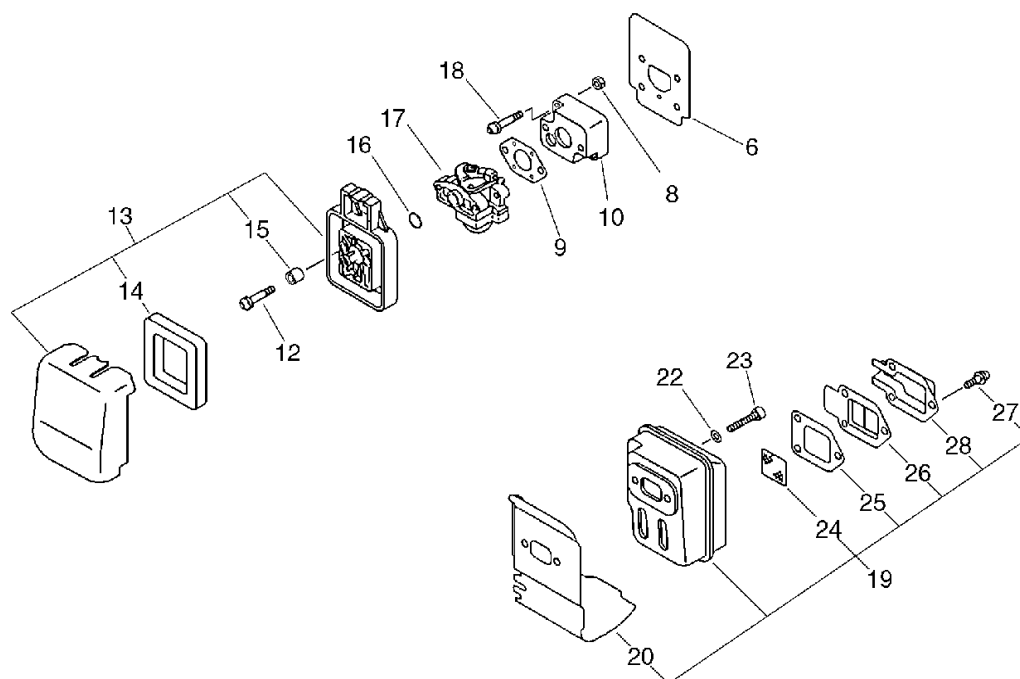
No.2



KEY	LV	PART NUMBER	Q'TY	DESCRIPTION	REMARKS	NOTE1	NOTE2
37		351011-05560	1	SUPPORTER, F. HANDLE			
38		900242-05010	1	SCREW 5*10	5*10		

### 3. Air Cleaner, Muffler

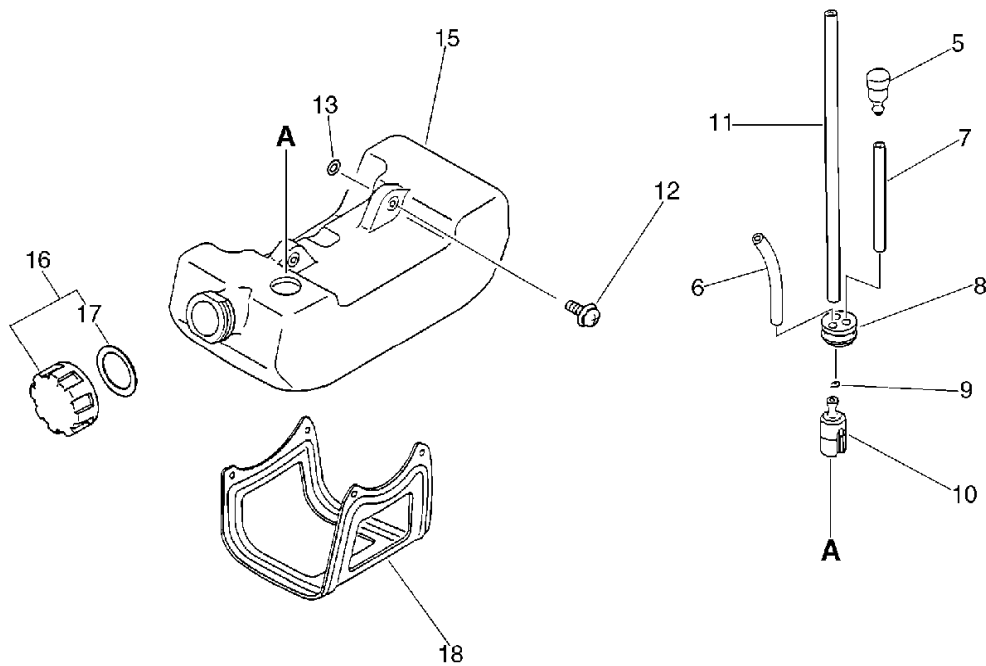
No.3



KEY	LV	PART NUMBER	Q'TY	DESCRIPTION	REMARKS	NOTE1	NOTE2
6		130010-42032	1	GASKET,INTAKE			
8		900500-00005	2	NUT 5	5		
9		130010-44431	1	GASKET, INTAKE			
10		130017-44330	1	INSULATOR			
12		900242-05064	2	SCREW 5*64	5*64		
13		130300-45130	1	CLEANER ASSY, AIR			
14	+	130310-44330	1	FILTER, AIR			
15	+	130327-44330	2	SLEEVE			
16		900720-00015	1	O-RING 15	P-15		
17		123000-05560	1	CARBURETOR WYL-23	WYL-23		
18		900242-05020	2	SCREW 5*20	5*20		
19		P021-000880	1	MUFFLER ASY			
20	+	145510-44331	1	GASKET, MUFFLER			
24	+	145862-40630	1	SCREEN, MUFFLER			
25	+	145866-42031	1	GASKET, MUFFLER LID			
26	+	145876-42030	1	LID, MUFFLER (B)			
27	+	900242-04010	3	SCREW 4*10	4*10		
28	+	145863-42030	1	HOLDER, SCREEN		Sus. by A313-000041	
28	+	A313-000041	1	GUIDE,EXH			
22		900600-00005	2	WASHER 5	5		
23		900105-05055	2	BOLT, H.S. 5*55	5*55		

## 4. Fuel Tank

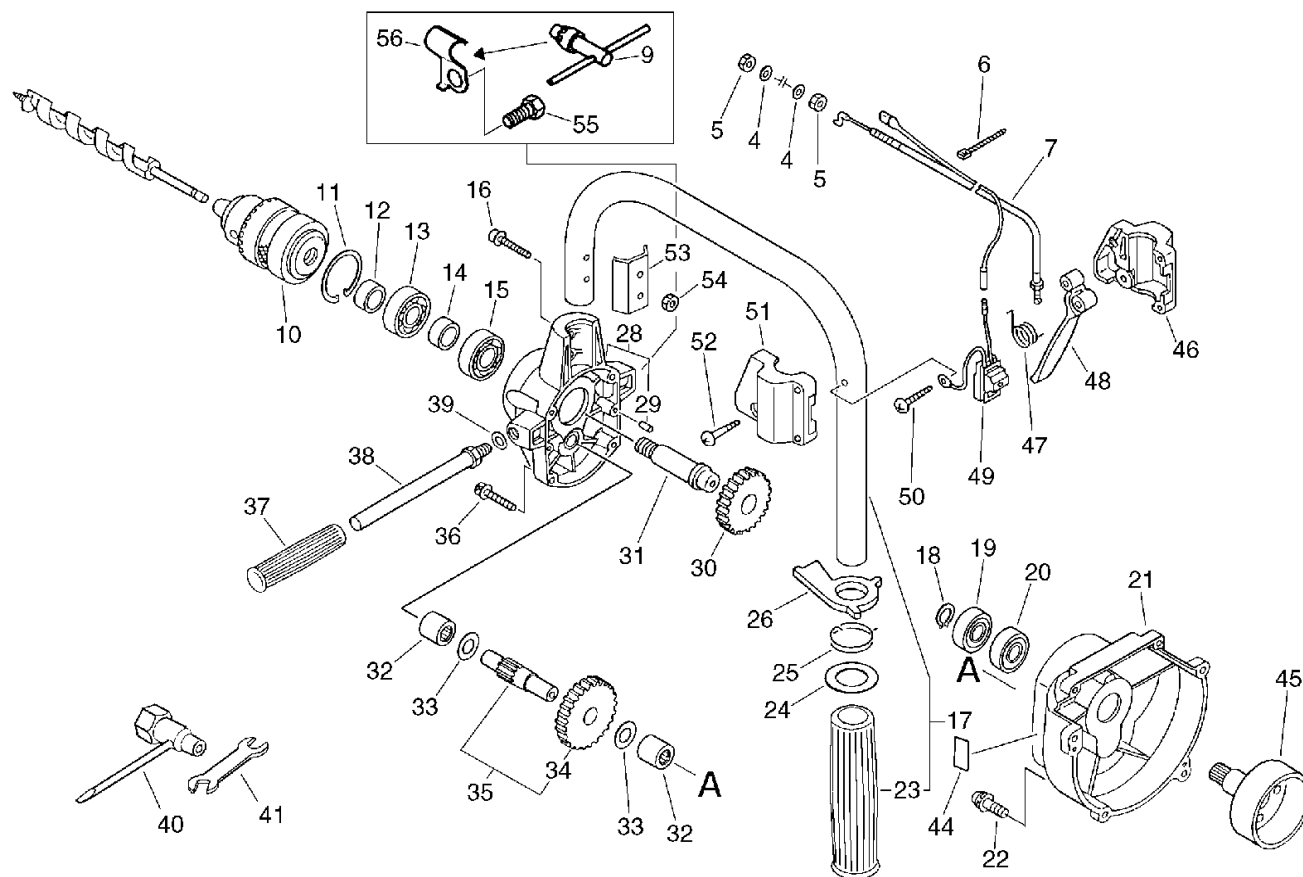
No.4



KEY	LV	PART NUMBER	Q'TY	DESCRIPTION	REMARKS	NOTE1	NOTE2
5		131300-56430	1	VALVE, CHECK			
6		132012-56030	1	PIPE	3*6*80 YL		
7		131312-05560	1	PIPE, VENT	3*5*30		
8		132115-46730	1	GROMMET, FUEL			
9		132013-09820	1	CLIP	6MM		
10		131205-07320	1	STRAINER, FUEL			
11		132010-05560	1	PIPE, FUEL	3*5*165		
12		900243-05016	2	SCREW 5*16	5*16		
13		900603-00005	2	WASHER 5	5.5*12*0.8		
15		131005-44331	1	TANK, FUEL		Sus. by 131005-44332	
15		131005-44332	1	TANK, FUEL			
16		131004-53530	1	CAP ASSY, FUEL TANK			
17	+	131016-55830	1	GASKET, FUEL CAP			
18		305110-42030	1	STAND (BL)			

## 5. Handle, Gear Case, Tools

No.5

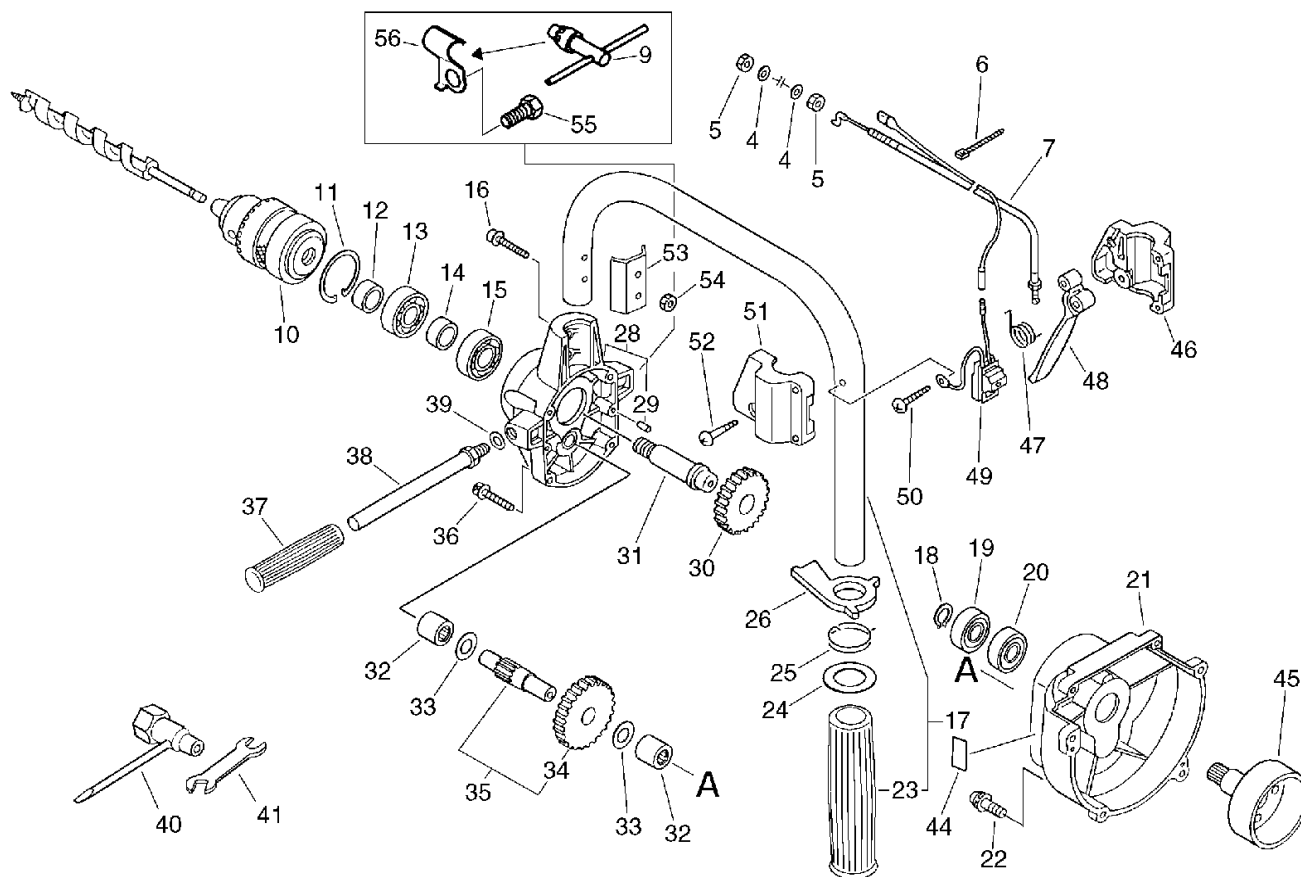


KEY	LV	PART NUMBER	Q'TY	DESCRIPTION	REMARKS	NOTE1	NOTE2
4		900600-00006	2	WASHER 6	6		
5		900502-00006	2	NUT 6 (3N)	3N6		
6		178121-08550	1	BAND	CV-100	Sus. by 178121-56030	
6		178121-56030	1	BAND	CV-125B BL		
7		178100-09060	1	CABLE ASY, CONTROL			
9		897570-05560	1	CHUCK, KEY			
10		604051-05560	1	CHUCK			
11		900702-00032	1	CIRCLIP 32	CR-32		
12		604046-05560	1	COLLAR			
13		900802-06002	1	BEARING, BALL 6002	6002DDU(LLU)		
14		604044-05560	1	COLLAR			
15		900800-36002	1	BEARING, BALL 6002	6002		
16		900162-05035	2	BOLT, H.S. 5*35	5*35 W,SW		
17		351000-05561	1	HANDLE, W/GRIP			
23	+	351315-27930	1	GRIP, HANDLE			
18		900701-00012	1	CIRCLIP 12	CS-12		
19		900802-06001	1	BEARING, BALL 6001	6001DDU(LLU)	Sus. by 94042-06001	
19		94042-06001	1	BEARING BALL	6001LLU		
20		900800-36001	1	BEARING, BALL 6001	6001/C3		
21		101511-05560	1	COVER, FAN			
22		900242-04016	4	SCREW 4*16	4*16		
24		178070-02060	1	SPACER		Sus. by 178070-02061	
24		178070-02061	1	SPACER	19.5*34*0.5		



## 5. Handle, Gear Case, Tools

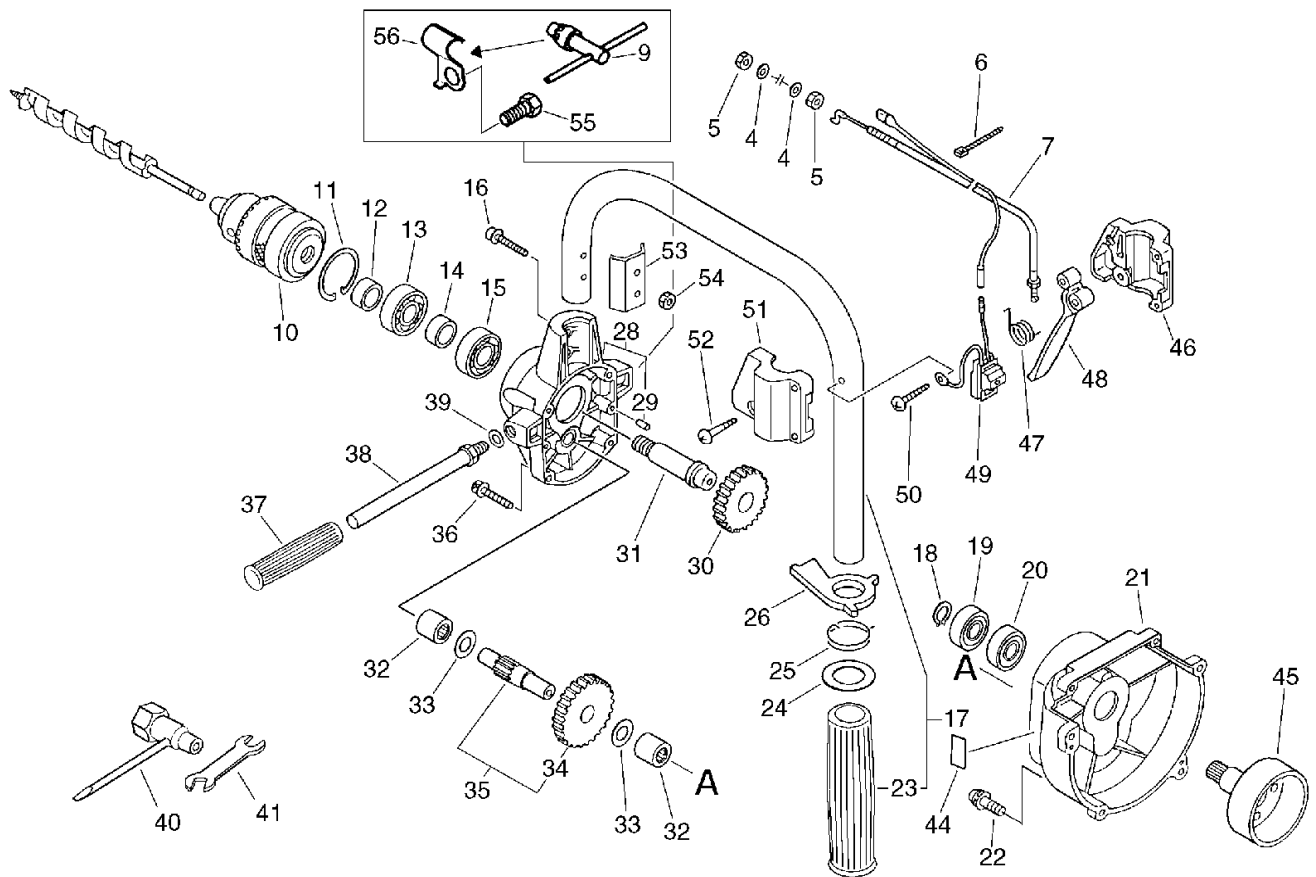
No.5



KEY	LV	PART NUMBER	Q'TY	DESCRIPTION	REMARKS	NOTE1	NOTE2
25		178013-02060	1	SPRING, THR. LOCK			
26		178012-02061	1	LOCKOUT, THROTTLE			
28		604311-05560	1	CASE, GEAR			
29	+	100215-03930	2	PIN, DOWEL			
30		604224-05560	1	GEAR, SPUR			
31		604042-05560	1	SHAFT, P.T.O			
32		604221-05560	2	BEARING, NEEDLE			
33		604223-05560	2	WASHER			
35		604226-05560	1	SHAFT, GEAR		Sus. by 604206-05560	
35		604206-05560	1	GEAR, W/SHAFT			
34	+	604213-05560	1	GEAR			
36		900162-04025	4	BOLT, H.S. 4*25	4*25 W,SW		
37		351515-22330	1	GRIP			
38		351210-05560	1	HANDLE, LEFT			
39		900600-00010	1	WASHER 10	10		
40		895410-03930	1	WRENCH, W/S. DRIVER			
41		895116-00630	1	SPANNER (13*17)			
44		890194-05560	1	LABEL, CAUTION		Sus. by 890160-06361	
44		890160-06361	1	LABEL, CAUTION			
45		175005-05560	1	DRUM, CLUTCH			
46		178024-01260	1	BRACKET, THROTTLE		Sus. by 178024-01261	
46		178024-01261	1	BRACKET, THROTTLE			
47		178043-01260	1	SPRING, THR. RETURN			

## 5. Handle, Gear Case, Tools

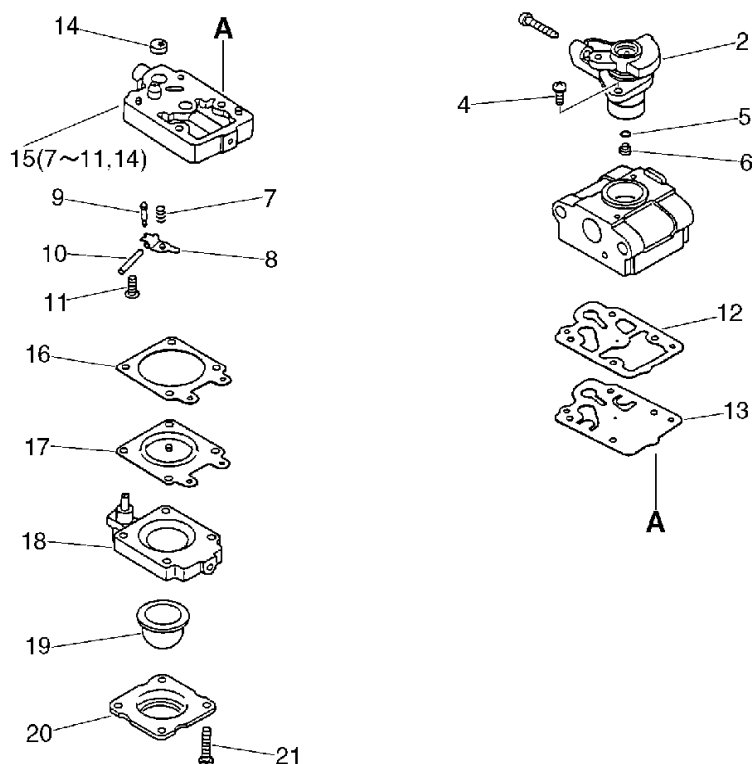
No.5



KEY	LV	PART NUMBER	Q'TY	DESCRIPTION	REMARKS	NOTE1	NOTE2
48		178010-07660	1	CONTROL, THROTTLE			
49		163400-04460	1	SWITCH, IGNITION(JR)			
50		900245-04030	1	SCREW 4*30	4*30		
51		178052-01260	1	BRACKET, THR. LEVER		Sus. by 178052-01261	
51		178052-01261	1	BRACKET, THROTTLE			
52		900245-04025	4	SCREW 4*25	4*25		
53		351641-05560	1	PLATE			
54		900560-00005	2	NUT, LOCK 5	5		
55		900100-10015	1	BOLT 10*15	10*15		
56		897575-05560	1	SPRING, FLAT			

## 6. Carburetor

No.6



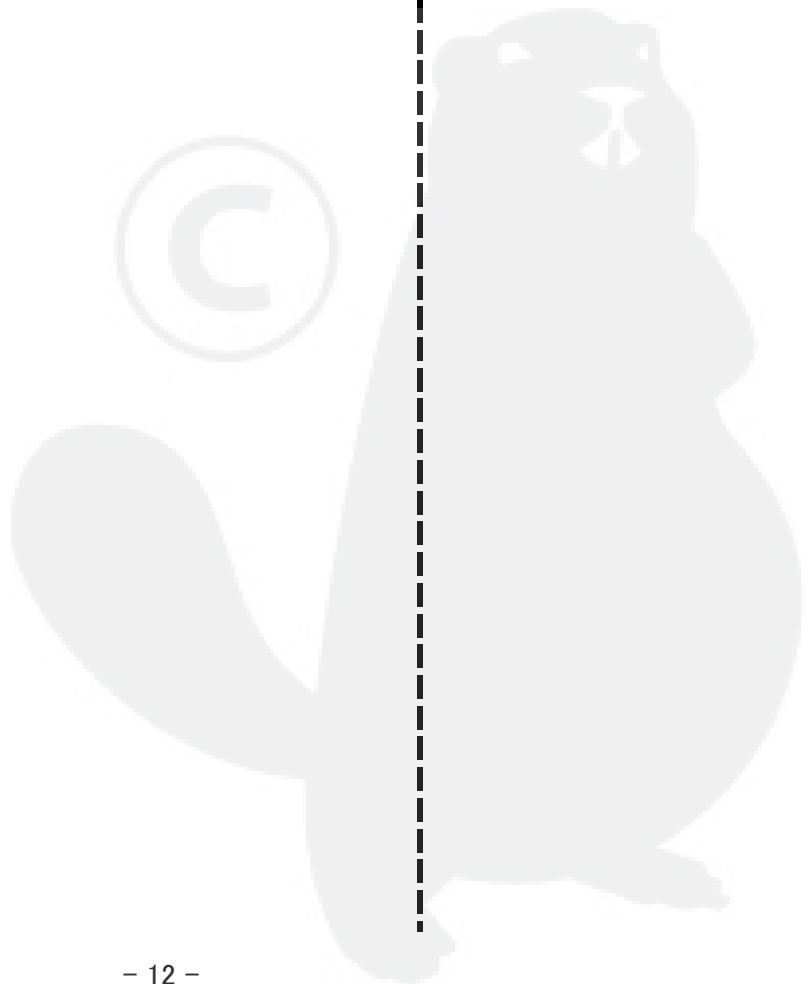
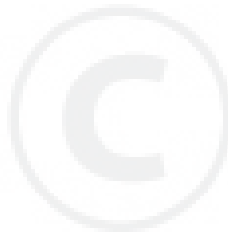
KEY	LV	PART NUMBER	Q'TY	DESCRIPTION	REMARKS	NOTE1	NOTE2
		123000-05560	1	CARBURETOR WYL-23	WYL-23		
2	+	123116-05560	1	VALVE, THROTTLE			
4	+	123114-44330	2	SCREW			
5	+	123183-40630	1	O-RING			
6	+	123184-44330	1	JET #37	#37		
15	+	123179-05560	1	BODY ASSY, PUMP			
7	++	123122-05560	1	SPRING, METER. LEVER			
8	++	123123-03930	1	LEVER, METERING			
9	++	123137-19830	1	VALVE, INLET NEEDLE			
10	++	123138-03930	1	PIN, METERING LEVER			
11	++	123139-05560	1	SCREW, M. LEVER PIN			
14	++	123126-10631	1	SCREEN, INLET			
12	+	123125-40630	1	GASKET, PUMP			
13	+	123112-40630	1	DIAPHRAGM, PUMP			
16	+	123140-05560	1	GASKET, M. DIAPHRAGM			
17	+	123141-03930	1	DIAPHRAGM, METERING			
18	+	123180-05560	1	BODY, AIR PURGE			
19	+	123181-40630	1	PUMP, PRIMER			
20	+	123142-05560	1	COVER, PRIMER PUMP			
21	+	123110-05560	4	SCREW, PUMP COVER			

**Index**

<b>Patrs Number</b>	<b>Key No.</b>	<b>Patrs Number</b>	<b>Key No.</b>	<b>Patrs Number</b>	<b>Key No.</b>
100000-44330	1 - 9	131005-44331	4 - 15	178121-56030	5 - 6
100000-44331	1 - 9	131005-44332	4 - 15	305110-42030	4 - 18
100011-05330	1 - 8	131016-55830	4 - 17	351000-05561	5 - 17
100012-51230	1 - 20	131205-07320	4 - 10	351011-05560	2 - 37
100013-11520	1 - 10	131300-56430	4 - 5	351210-05560	5 - 38
100014-11520	1 - 12	131312-05560	4 - 7	351315-27930	5 - 23
100015-04630	1 - 11	132010-05560	4 - 11	351515-22330	5 - 37
100100-44331	1 - 17	132012-56030	4 - 6	351641-05560	5 - 53
100100-44332	1 - 17	132013-09820	4 - 9	604042-05560	5 - 31
100204-51030	1 - 14	132115-46730	4 - 8	604044-05560	5 - 14
100204-51031	1 - 14	145510-44331	3 - 20	604046-05560	5 - 12
100212-42030	1 - 13	145862-40630	3 - 24	604051-05560	5 - 10
100212-42031	1 - 13	145863-42030	3 - 28	604206-05560	5 - 35
100215-03930	1 - 15	145866-42031	3 - 25	604213-05560	5 - 34
100215-03930	5 - 29	145876-42030	3 - 26	604221-05560	5 - 32
100242-42030	1 - 18	150112-42030	2 - 13	604223-05560	5 - 33
101010-44332	1 - 7	150626-05560	2 - 9	604224-05560	5 - 30
101011-45230	1 - 5	156801-44330	2 - 7	604226-05560	5 - 35
101511-05560	5 - 21	159010-13930	2 - 12	604311-05560	5 - 28
101514-05561	1 - 28	159011-03432	2 - 11	890114-05560	1 - 27
101576-05561	1 - 28	159012-01620	2 - 10	890118-44330	2 - 35
123000-05560	3 - 17	163400-04460	5 - 49	890160-06361	5 - 44
123000-05560	6 -	175000-52130	2 - 5	890194-05560	5 - 44
123110-05560	6 - 21	175000-52131	2 - 5	895116-00630	5 - 41
123112-40630	6 - 13	175005-05560	5 - 45	895410-03930	5 - 40
123114-44330	6 - 4	177200-42033	2 - 26	897570-05560	5 - 9
123116-05560	6 - 2	177202-44330	2 - 20	897575-05560	5 - 56
123122-05560	6 - 7	177202-44331	2 - 20	900100-10015	5 - 55
123123-03930	6 - 8	177215-44430	2 - 29	900105-05055	3 - 23
123125-40630	6 - 12	177218-44330	2 - 24	900162-04016	1 - 25
123126-10631	6 - 14	177220-42030	2 - 33	900162-04016	2 - 36
123137-19830	6 - 9	177226-10120	2 - 30	900162-04022	2 - 8
123138-03930	6 - 10	177227-42030	2 - 31	900162-04025	5 - 36
123139-05560	6 - 11	177228-06530	2 - 32	900162-05022	1 - 6
123140-05560	6 - 16	177234-12220	2 - 23	900162-05028	1 - 19
123141-03930	6 - 17	177234-42030	2 - 23	900162-05035	5 - 16
123142-05560	6 - 20	177236-44330	2 - 27	900242-04010	3 - 27
123179-05560	6 - 15	178010-07660	5 - 48	900242-04012	1 - 26
123180-05560	6 - 18	178012-02061	5 - 26	900242-04016	5 - 22
123181-40630	6 - 19	178013-02060	5 - 25	900242-05010	2 - 38
123183-40630	6 - 5	178024-01260	5 - 46	900242-05020	3 - 18
123184-44330	6 - 6	178024-01261	5 - 46	900242-05064	3 - 12
130010-42032	3 - 6	178043-01260	5 - 47	900243-05016	4 - 12
130010-44431	3 - 9	178052-01260	5 - 51	900245-04025	5 - 52
130017-44330	3 - 10	178052-01261	5 - 51	900245-04030	5 - 50
130300-45130	3 - 13	178070-02060	5 - 24	900500-00005	3 - 8
130310-44330	3 - 14	178070-02061	5 - 24	900502-00006	5 - 5
130327-44330	3 - 15	178100-09060	5 - 7	900560-00005	5 - 54
131004-53530	4 - 16	178121-08550	5 - 6	900600-00005	3 - 22

# Index

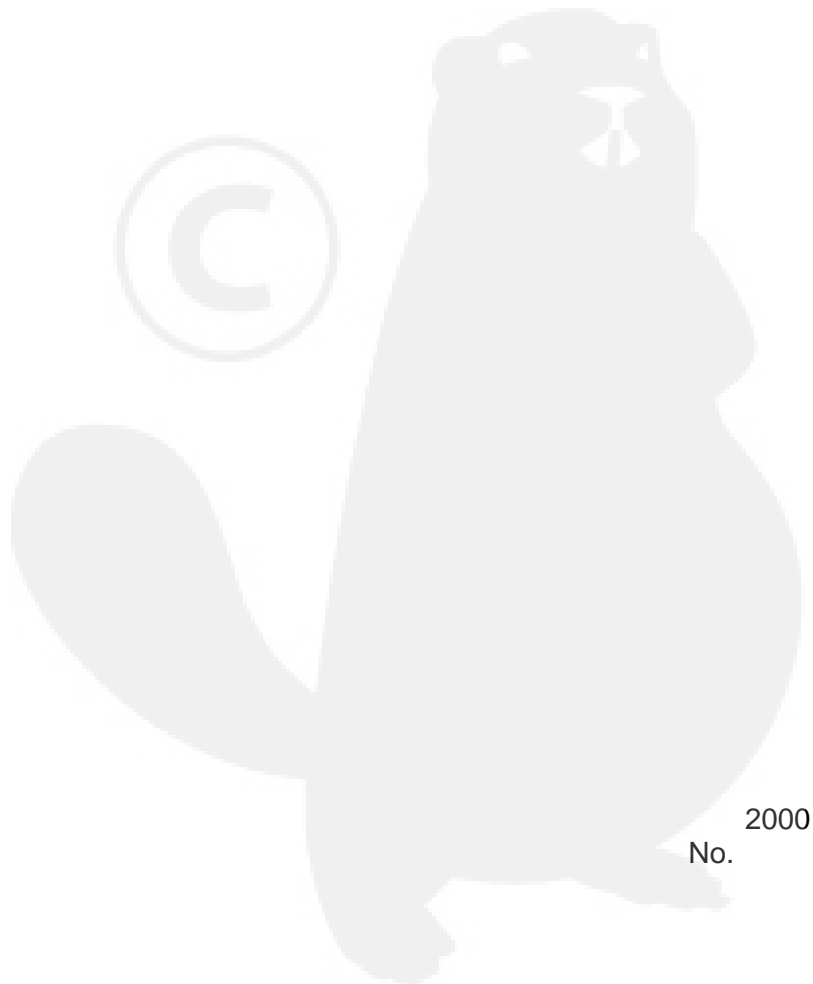
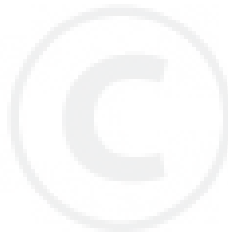
Patrs Number	Key No.	Patrs Number	Key No.	Patrs Number	Key No.
900600-00006	5 - 4				
900600-00010	5 - 39				
900603-00005	4 - 13				
900701-00012	5 - 18				
900702-00032	5 - 11				
900720-00015	3 - 16				
900800-36001	5 - 20				
900800-36002	5 - 15				
900802-06001	5 - 19				
900802-06002	5 - 13				
900810-36201	1 - 16				
94035-36201	1 - 16				
94042-06001	5 - 19				
A313-000041	3 - 28				
P021-000880	3 - 19				
V553-000010	1 - 20				



# YAMABIKO CORPORATION

7-2 SUEHIROCHO 1-CHOME, OHME, TOKYO 198-8760, JAPAN  
PHONE: 81-428-32-6118. FAX: 81-428-32-6145.

**ECHO**®



2000  
No.