

362WS_30S

Serial Number

38001001-38999999

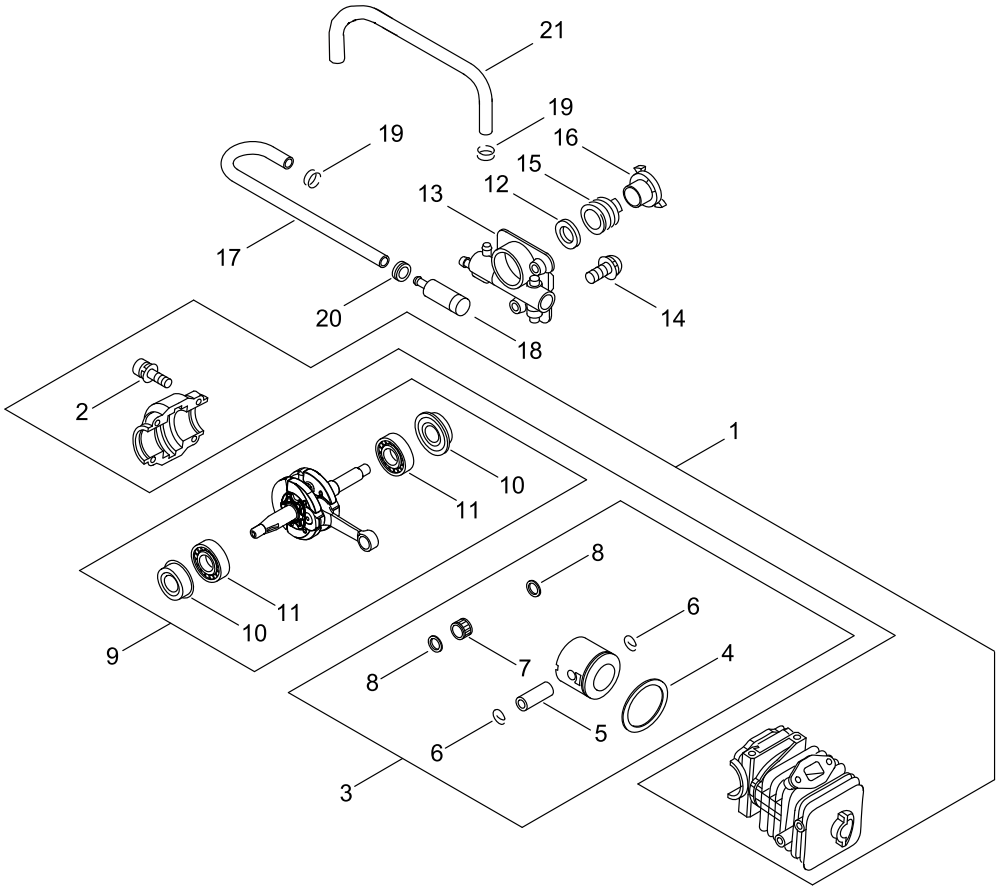
Last updated date

01/Oct/2021

TABLE OF CONTENTS

CYLINDER, PISTON, CRANKSHAFT	1
ENGINE COVER.....	3
MAGNETO.....	5
AIR CLEANER, CARBURETOR.....	7
CARBURETOR.....	9
MUFFLER.....	11
RECOIL STARTER.....	13
HANDLE.....	15
CHAIN BRAKE.....	17
ACCESSORIES	19
OILER.....	21
GUIDE BAR, CHAIN.....	23

CYLINDER, PISTON, CRANKSHAFT



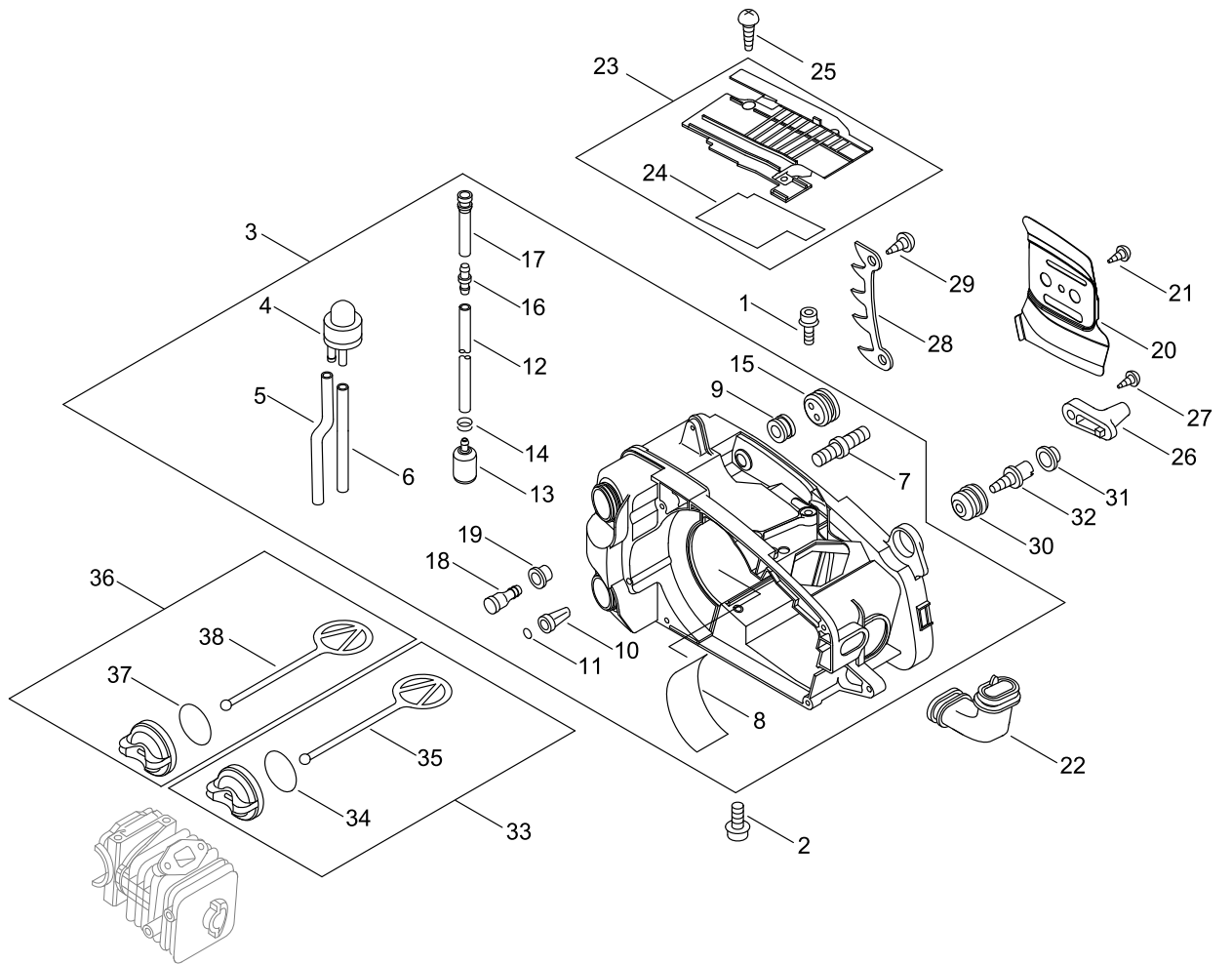
CYLINDER, PISTON, CRANKSHAFT

Key No.	LV (+)	Parts Number	Parts Description	Qty	Standard	Class
1		P100-006900	CRANKCASE SET	1		
2	+	900162-05025	BOLT HSH	4	5*25	
3		P021-045440	PISTON KIT	1		
4	+	A101-000670	RING, PISTON	1	39*1.2*1.7	B
5	+	100013-15330	PIN, PISTON	1	5.5*8*29	D
6	+	100015-04630	CIRCLIP, PISTON PIN	2		C
7	+	V553-000130	BEARING, NEEDLE 8	1		B
8	+	100014-60930	SPACER, PISTON PIN	2		C
9		P021-039160	CRANKSHAFT ASY	1		
10	+	V505-000011	SEAL, OIL 12	2	12*32*5.5	C
11	+	94035-36201	BEARING, BALL	2	6201	
12		V308-000030	WASHER, CIRCULAR 11	1	10.5*17.4*1.8	C
13		C022-000020	AUTO-OILER ASSEMBLY	1	OP-7	C
14		900238-04012	SCREW	2	4*12	
15		V652-000030	GEAR, WORM	1		B
16		V356-000290	COLLAR, 10	1		C
17		V471-000741	PIPE	1	3*6*160	C
18		P100-001900	STRAINER, OIL	1		
19		V490-001230	CLIP	2		C
20		132115-01462	GROMMET	1		C
21		V471-000761	PIPE	1	3*6*90	C

Class : Consumable class

A:Fast moving parts B:Semi-fast moving parts C:Slow moving parts D:Order only as needed

ENGINE COVER



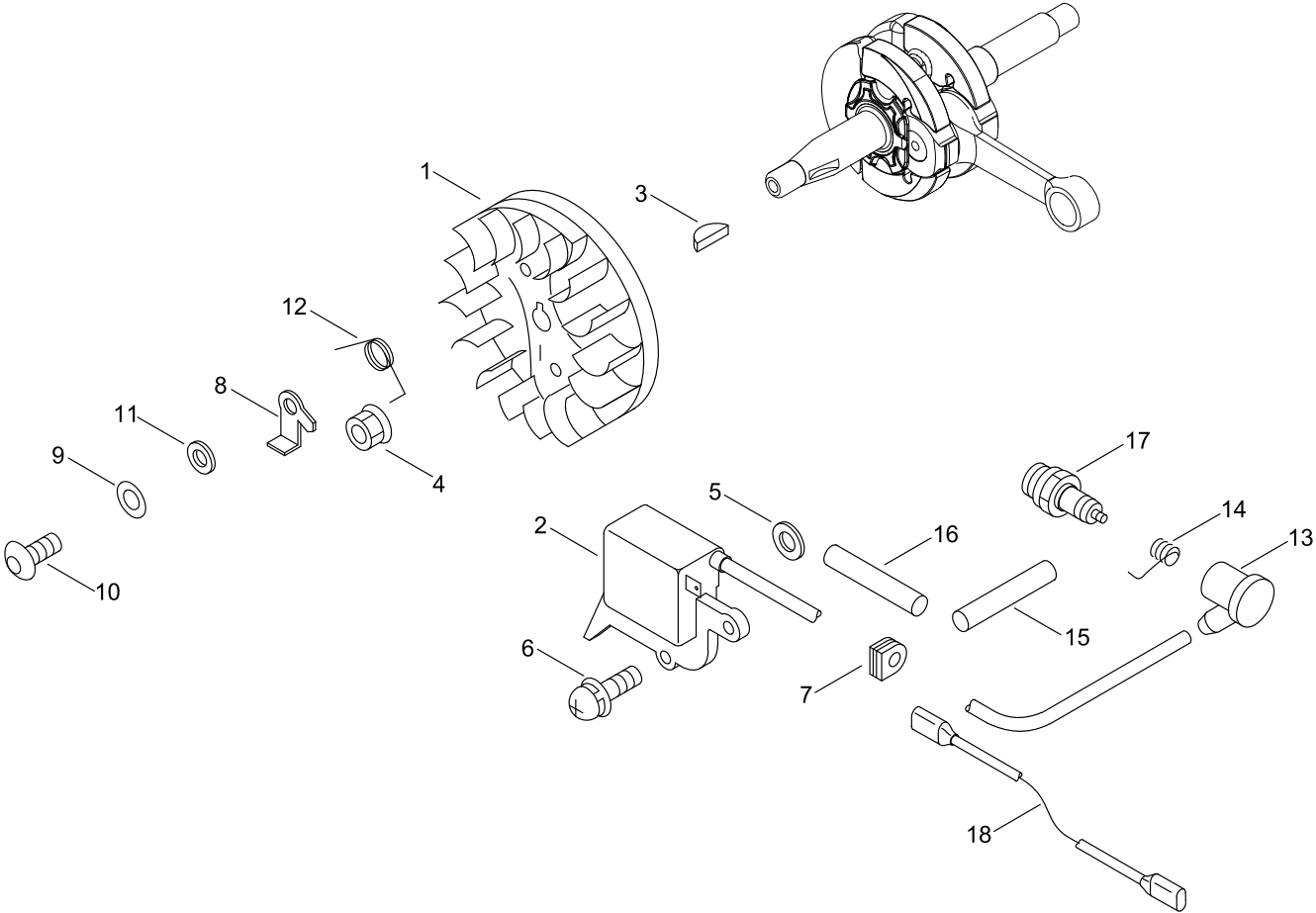
ENGINE COVER

Key No.	LV (+)	Parts Number	Parts Description	Qty	Standard	Class
1		900106-05020	BOLT HSH, FLANGE	2	5*20	
2		900106-05030	BOLT HSH, FLANGE	2	5*30	
3		P100-006990	COVER ENGINE ASY	1		
4	+	123181-39130	PUMP, PRIMER	1		
5	+	V471-001441	PIPE	1	2.4*5*295	C
6	+	V471-001291	PIPE	1	2.4*5*75	C
7	+	V224-000031	BOLT,STUD 6	2		C
8	+	V420-001110	CUSHION	1		B
9	+	163911-30130	PLUG	1		B
10	+	436114-13930	VALVE, CHECK	1		B
11	+	900724-00004	O-RING	1	S-4	
12	+	V471-000751	PIPE	1	3*5*260	C
13	+	A369-000420	STRAINER, FUEL	1	ES-16499	A
14	+	V490-001240	CLIP	1		C
15	+	132115-44331	GROMMET, FUEL	1		C
16	+	V186-000510	JOINT,PIPE	1		C
17	+	V470-000322	PIPE	1	10*6*L32	C
18	+	131300-56431	VENT ASSEMBLY, FUEL	1		B
19	+	V137-000001	GROMMET,FUEL	1		C
20		C305-000080	PLATE,SPROCKET GUARD	1	T0.3	C
21		900253-04010	SCREW, TAPPING	1	4*10	
22		A239-000030	PIPE,INTAKE	1	L TYPE	C
23		P021-008831	DUSTCOVER SET	1		
24	+	V341-000040	WASHER,SQUARE	1		C
25		900253-04012	SCREW, TAPPING	2	4*12	
26		433026-35430	CATCHER, CHAIN	1		B
27		900253-05020	SCREW, TAPPING	1	5*20	
28		C304-000000	SPIKE	1		C
29		900253-05020	SCREW, TAPPING	1	5*20	
30		100910-18830	CUSHION	1		B
31		100918-15130	CAP	1		C
32		V202-000020	BOLT,4	1		C
33		P021-005581	CAP ASY	1		C
34	+	900720-00018	O-RING	1	P-18	
35	+	A365-000050	CONNECTOR,CAP	1		B
36		P021-005601	CAP ASY	1		
37	+	900720-00018	O-RING	1	P-18	
38	+	A365-000050	CONNECTOR,CAP	1		B

Class : Consumable class

A:Fast moving parts B:Semi-fast moving parts C:Slow moving parts D:Order only as needed

MAGNETO



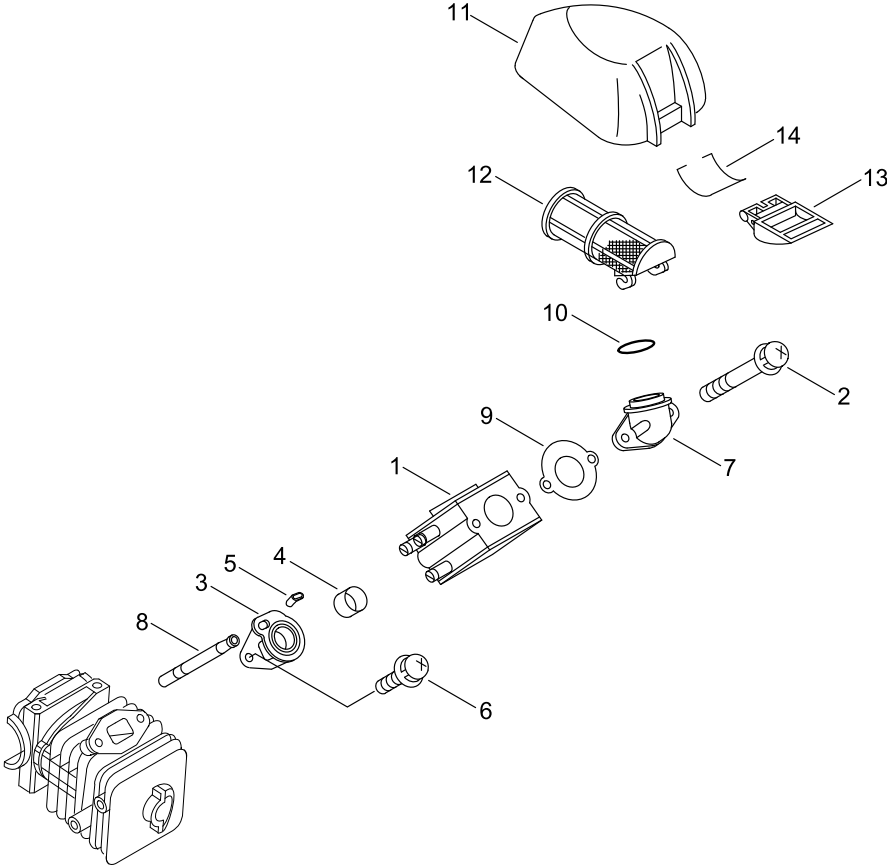
MAGNETO

Key No.	LV (+)	Parts Number	Parts Description	Qty	Standard	Class
1		A409-001180	ROTOR, MAGNETO	1		C
2		P021-048611	COIL, IGNITION	1		
3		100142-12330	KEY, WOODRUFF	1		C
4		900515-00008	NUT, FLANGE	1	8	
5		150117-16430	SPACER	2		C
6		900238-05020	SCREW	2	5*20	
7		156110-04920	BUSHING	1		C
8		A514-000020	PAWL	2		C
9		900603-00005	WASHER	2	5	
10		V203-000080	BOLT,5	2	5*14	C
11		177247-04630	SPACER, RATCHET	2	5.2*8*2.1	C
12		177234-35430	SPRING, RETURN	2		B
13		A427-000000	CAP,SPARK PLUG	1		C
14		A426-000000	TERMINAL,SPARKPLUG	1		C
15		V475-002390	TUBE	1		C
16		V475-007430	TUBE	1		C
17		A425-000000	SPARKPLUG	1	BPMR8Y	A
18		V485-000550	LEAD	1	AMP-187 AMP-250	C

Class : Consumable class

A:Fast moving parts B:Semi-fast moving parts C:Slow moving parts D:Order only as needed

AIR CLEANER, CARBURETOR



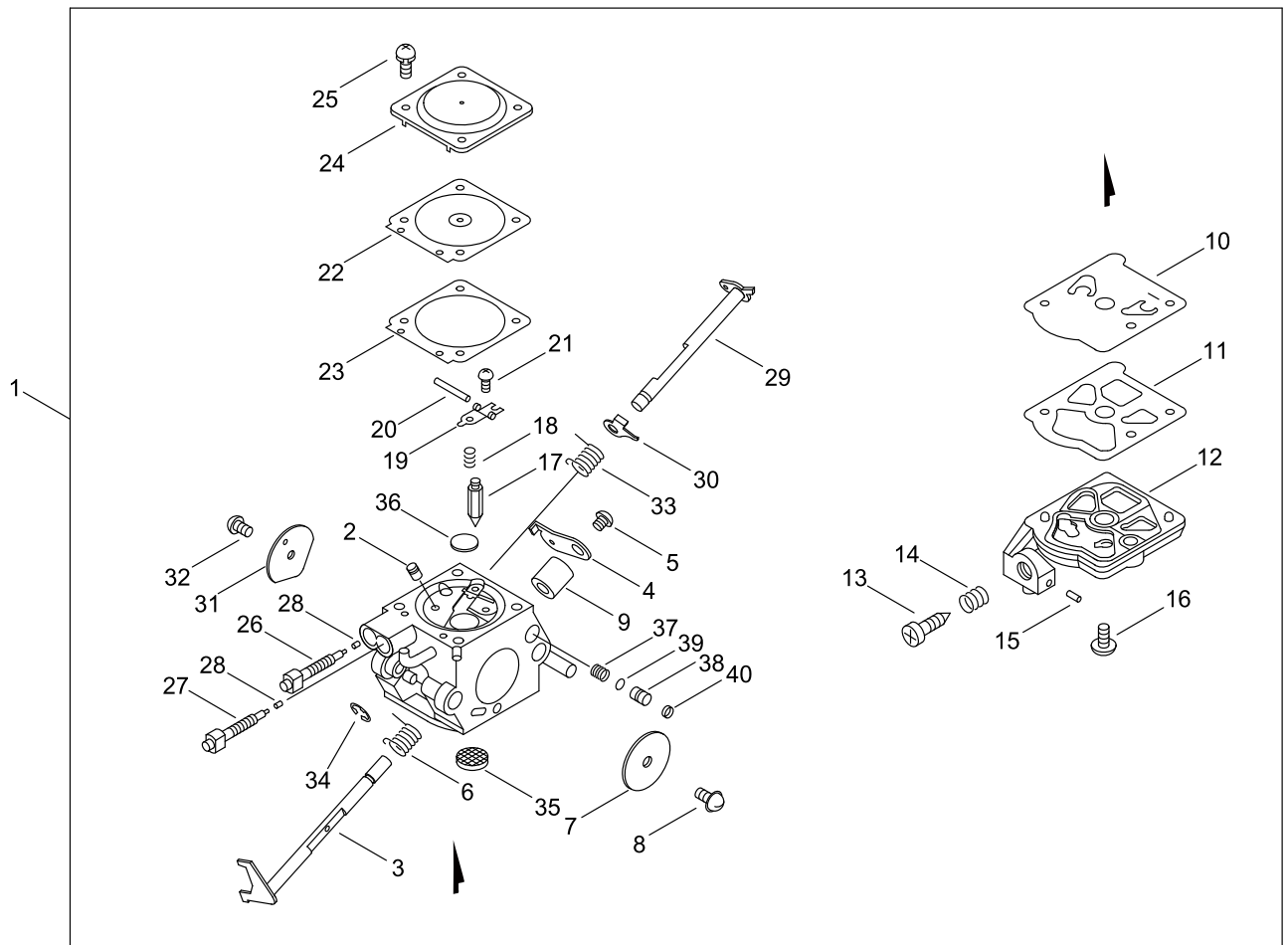
AIR CLEANER, CARBURETOR

Key No.	LV (+)	Parts Number	Parts Description	Qty	Standard	Class
1		A021-004400	CARBURETOR,DIAPHRAGM	1	C1Q-2690	B
2		900238-05050	SCREW 5*50	2	5*50	
3		A202-000033	BELLOWS,INTAKE	1		C
4		V359-000060	COLLAR,16	1		C
5		V351-000000	COLLAR,3	1	3.2*6.5	C
6		900238-05012	SCREW 5*12	2	5*12	
7		A204-000060	ELBOW,CARBURETOR	1		C
8		V470-000482	PIPE	1		C
9		V103-001510	GASKET,INTAKE	1		A
10		92505-10200	O-RING	1	JASO 1020	
11		A232-000181	LID,CLEANER	1		C
12		A226-001700	ELEMENT, AIR FILTER	1		A
13		A235-000120	KNOB,CLEANER LID	1		C
14		V582-000020	RING,SNAP	1	CSE2700	C

Class : Consumable class

A:Fast moving parts B:Semi-fast moving parts C:Slow moving parts D:Order only as needed

CARBURETOR



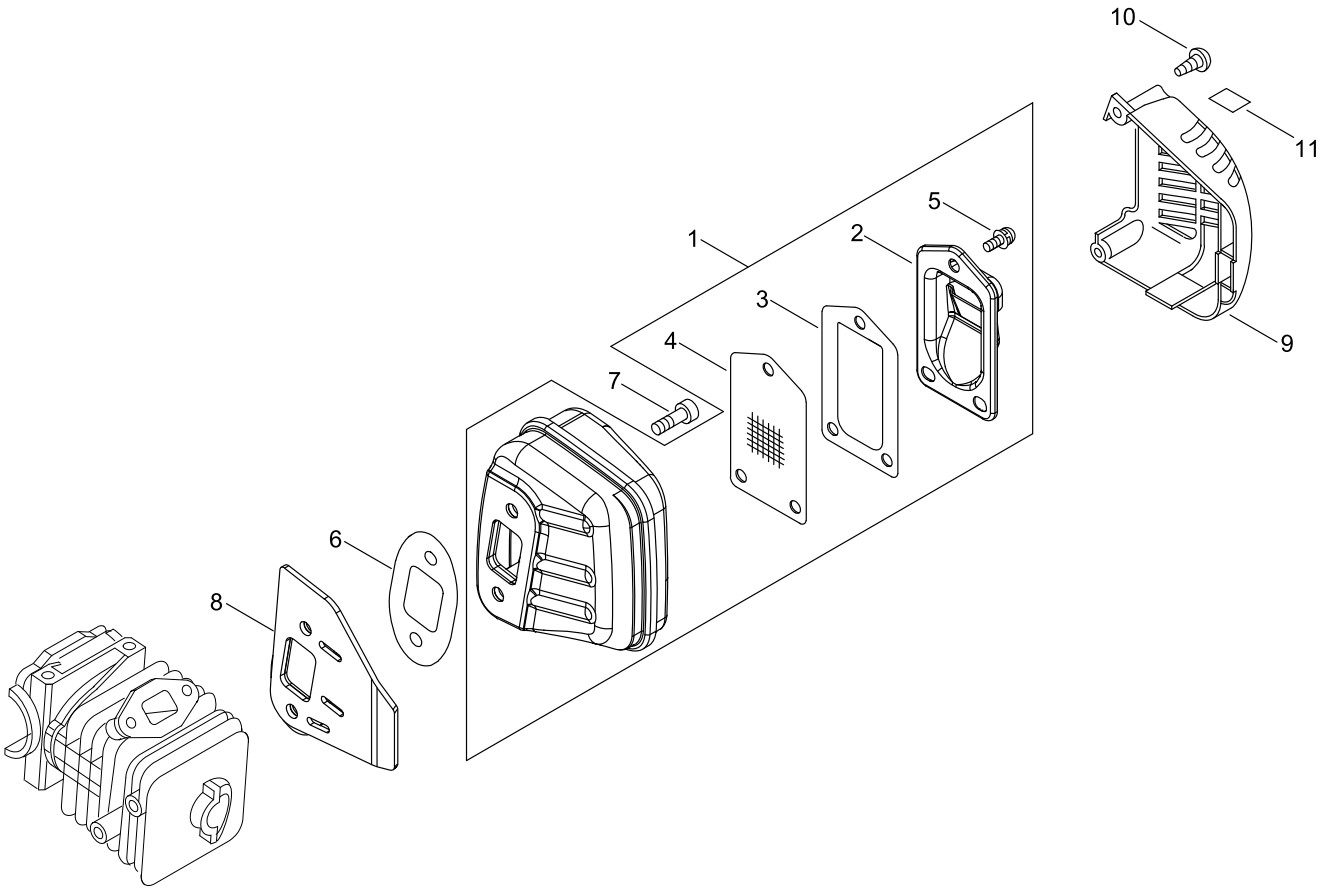
CARBURETOR

Key No.	LV (+)	Parts Number	Parts Description	Qty	Standard	Class
1		A021-004400	CARBURETOR,DIAPHRAGM	1	C1Q-2690	B
2	+	P005-003590	NOZZLE, CHECK VALVE	1		
3	+	P005-003600	SHAFT ASY,THROTTLE	1		
4	+	P005-003610	LEVER, THROTTLE	1		
5	+	125348-13930	SCREW	1		D
6	+	P005-000790	SPRING,THRT.RETURN	1		
7	+	P005-003620	VALVE, THROTTLE	1		
8	+	125314-13930	SCREW	1	3*4	
9	+	P005-003630	COLLAR	1		
10	+	P005-001110	DIAPHRAGM, PUMP	1		
11	+	125325-08360	GASKET, PUMP	1		
12	+	P005-003180	COVER, PUMP	1		
13	+	125334-06960	SCREW,THROTTLEADJUST	1		
14	+	125333-33330	SPRING, IDLE ADJUST	1		
15	+	125378-13930	PIECE, FRICTION	1		
16	+	125310-13930	SCREW	1		
17	+	125337-08260	VALVE, INLET NEEDLE	1		D
18	+	125322-11520	SPRING, COIL	1		
19	+	125323-08260	ARM, VALVE	1		
20	+	125338-13930	PIN, METERING ARM	1		
21	+	125339-13930	SCREW	1		
22	+	P005-003190	DIAPHRAGM ,METERING	1		
23	+	P005-003200	GASKET, METERING	1		A
24	+	P005-003210	COVER, METERING	1		D
25	+	P005-003220	SCREW	4		
26	+	P005-002370	NEEDLE, HIGH SPEED	1		D
27	+	P005-002380	NEEDLE, IDLE	1		D
28	+	125363-12820	RETAINER	2		
29	+	P005-002390	SHAFT, CHOKE	1		
30	+	P005-003050	LEVER, CHOKE	1		
31	+	P005-003640	VALVE, CHOKE	1		
32	+	125314-51230	SCREW	1	3*4.5	
33	+	P005-003650	SPRING, CHOKE RETURN	1		
34	+	125327-15130	CLIP	1		
35	+	P005-000860	SCREEN, FUEL INLET	1		
36	+	P005-002400	PLUG, WELCH	1		
37	+	P005-003660	SPRING	1		
38	+	P005-003670	PLUNGER	1		
39	+	P005-003680	O-RING	1		
40	+	P005-003690	PLUG	1		

Class : Consumable class

A:Fast moving parts B:Semi-fast moving parts C:Slow moving parts D:Order only as needed

MUFFLER



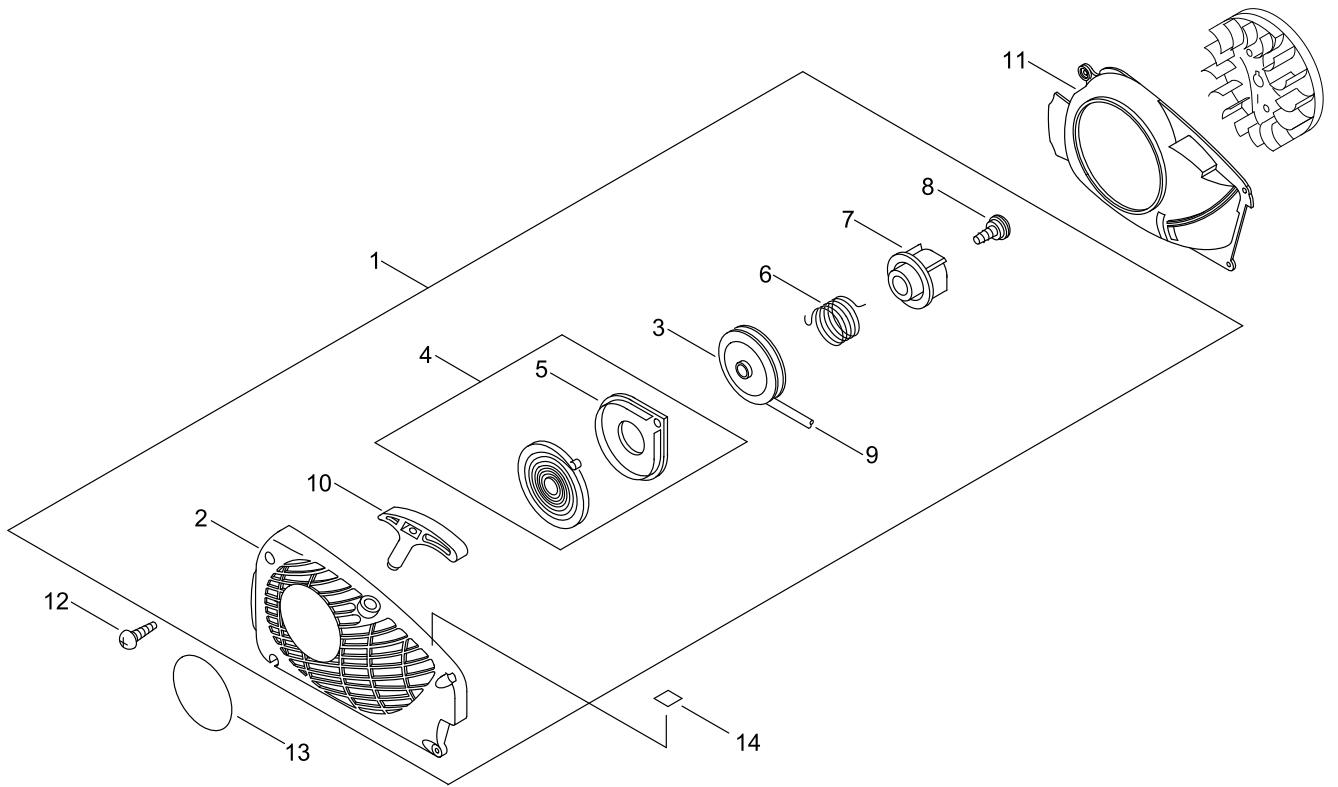
MUFFLER

Key No.	LV (+)	Parts Number	Parts Description	Qty	Standard	Class
1		P021-045451	MUFFLER ASY	1		
2	+	A313-001980	GUIDE, EXHAUST	1	ID # 2140	C
3	+	V104-001980	GASKET, EXHAUST	1		A
4	+	A310-000431	SCREEN, ARRESTOR	1		B
5	+	900242-04010	SCREW 4*10	3	4*10	
6		V104-001960	GASKET, EXHAUST	1		A
7		900105-05018	BOLT, H.S. 5*18	2	5*18	
8		A312-000070	PLATE, EXHUST	1		C
9		A320-001150	COVER, MUFFLER	1	FOR CAT MUFF	C
10		900253-04016	SCREW 4*16	2	4*16	
11		X505-007710	LABEL, CAUTION	1		D

Class : Consumable class

A:Fast moving parts B:Semi-fast moving parts C:Slow moving parts D:Order only as needed

RECOIL STARTER



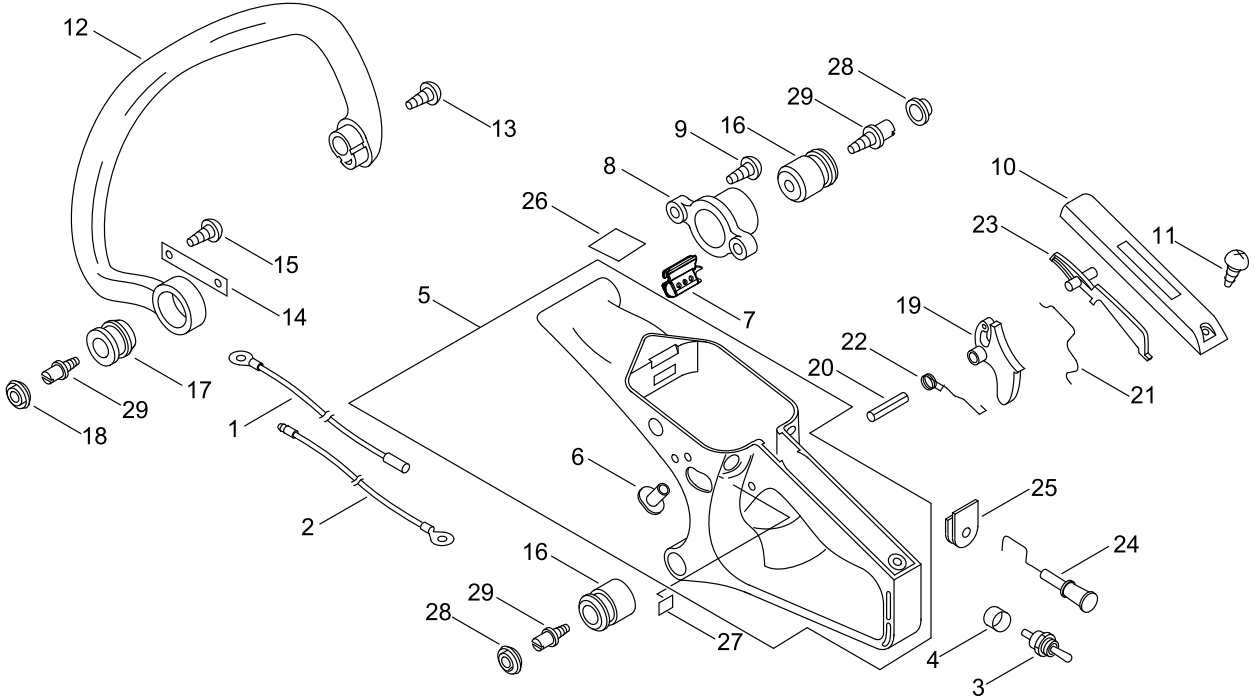
RECOIL STARTER

Key No.	LV (+)	Parts Number	Parts Description	Qty	Standard	Class
1		A051-003120	STARTER,RECOIL	1		B
2	+	P022-043740	CASE,STARTER ASY	1		
3	+	A506-000460	REEL,ROPE	1		C
4	+	P022-001330	SPRING KIT, REWIND	1		
5	++	P022-033280	SPRING CASE	1		
6	+	V452-001320	SPRING,TORSION	1		B
7	+	A507-000110	CATCHER,PAWL	1		C
8	+	177236-61830	SCREW	1		
9	+	P022-008440	ROPE, STARTER	1	3.5*900	
10	+	P022-005891	GRIP, STARTER	1		
11		A172-002190	COVER,FAN	1		C
12		900256-04016	SCREW 4*16	4	4*16	
13		X562-001260	LABEL,SHINDAIWA	1	362WS RECOIL	D
14		X505-000181	LABEL,CAUTION	1		D

Class : Consumable class

A:Fast moving parts B:Semi-fast moving parts C:Slow moving parts D:Order only as needed

HANDLE



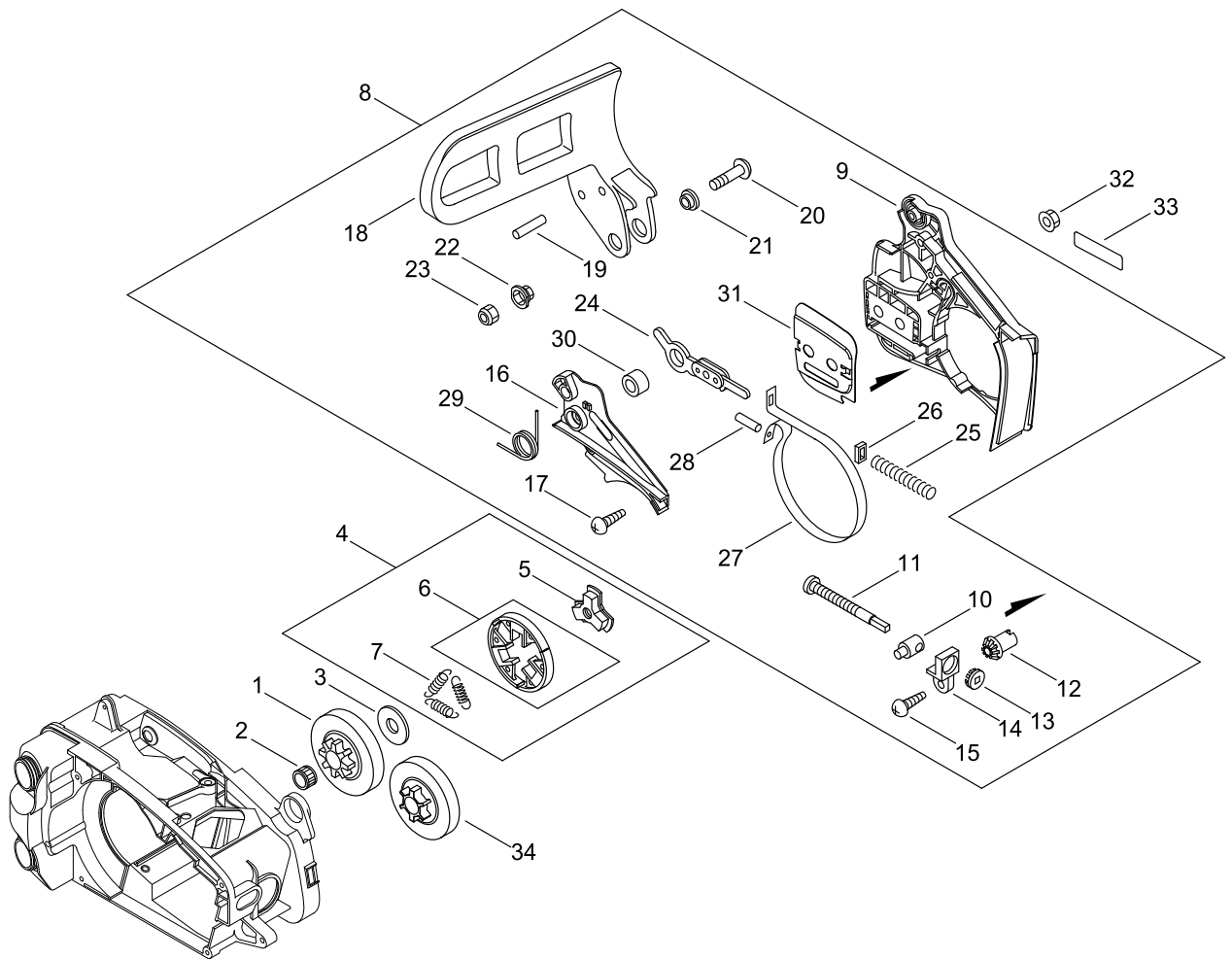
HANDLE

Key No.	LV (+)	Parts Number	Parts Description	Qty	Standard	Class
1		V485-000560	LEAD	1	CB-104 LA-105	C
2		V485-000571	LEAD	1		C
3		163400-38430	SWITCH, IGNITION	1		C
4		A472-000091	CASE, SWITCH	1		C
5		C410-000313	HANDLE, REAR	1		C
6	+	130020-33330	NUT	2		C
7		V142-000020	GROMMET, DUST	1		C
8		V424-000000	SLEEVE, CUSHION	1		C
9		900253-04016	SCREW 4*16	2	4*16	
10		C411-000001	LID, HANDLE	1		C
11		900253-04012	SCREW	1	4*12	
12		C400-000321	HANDLE, FRONT	1		C
13		900253-05020	SCREW 5*20	2	5*20	
14		C617-000200	STOPPER	1		C
15		900253-04008	SCREW 4*8	1	4*8	
16		V400-000070	CUSHION, 4	2		B
17		V401-000120	CUSHION, 5	1		B
18		100918-14330	CAP, CUSHION	1		C
19		C450-000121	TRIGGER, THROTTLE	1		C
20		900345-40025	PIN, SPRING 4*25SUS	1	4*25SUS	
21		C454-000110	ROD, THROTTLE	1		C
22		V452-000260	SPRING, TORSION	1		B
23		C460-000030	LOCKOUT, THROTTLE	1		C
24		A241-000050	KNOB, CHOKE	1		C
25		V130-000010	GROMMET, CHOKE	1		C
26		890345-39231	LABEL, CAUTION	1		D
27		890157-39131	LABEL, SWITCH	1		D
28		100918-15130	CAP	2		C
29		V202-000020	BOLT, 4	3		C

Class : Consumable class

A:Fast moving parts B:Semi-fast moving parts C:Slow moving parts D:Order only as needed

CHAIN BRAKE



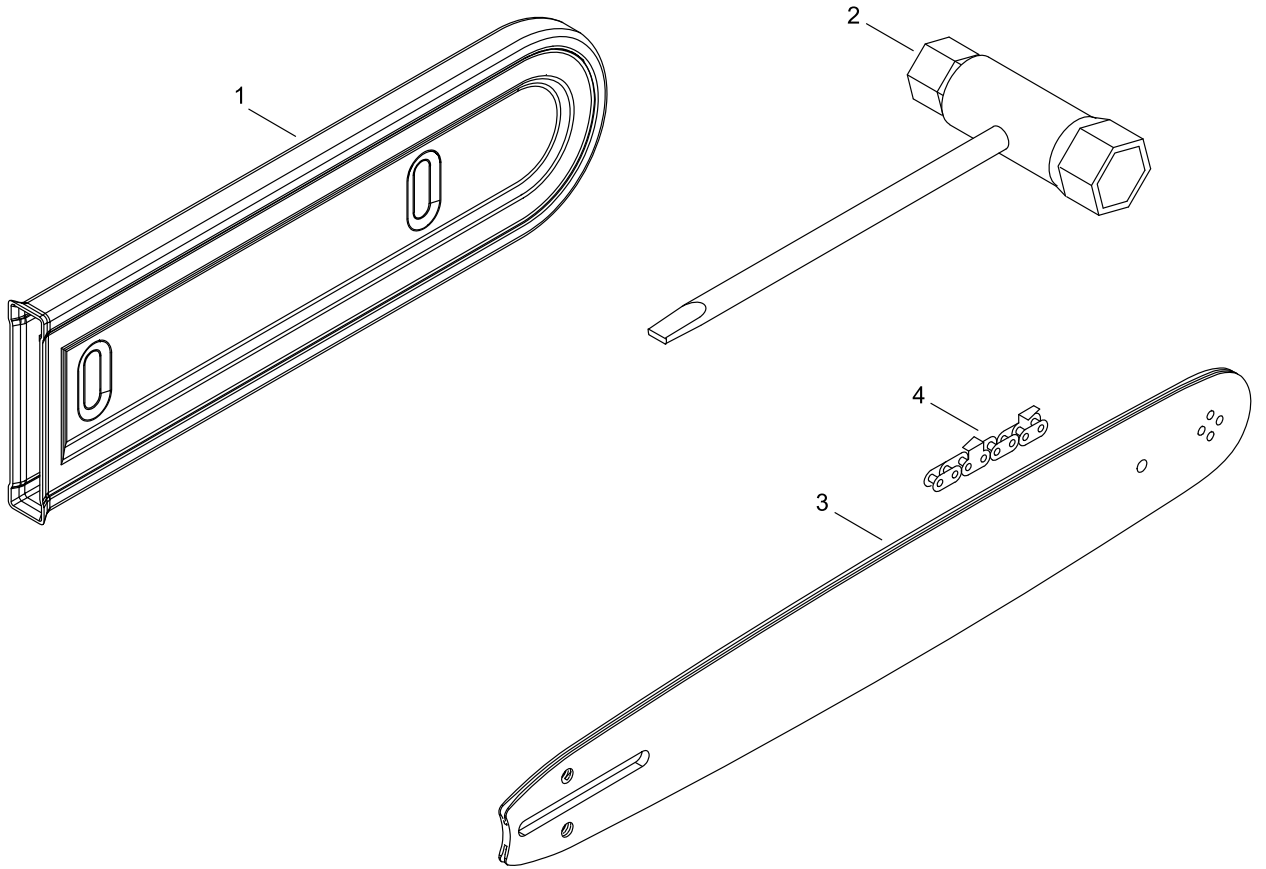
CHAIN BRAKE

Key No.	LV (+)	Parts Number	Parts Description	Qty	Standard	Class
1		175005-39133	DRUM, CLUTCH	1	3/8 6T	B
2		V555-000170	BEARING,NEEDLE 10	1	8E-KV10*13*12.8	B
3		A551-000010	PLATE,CLUTCH	1		C
4		A056-000071	CLUTCH	1		B
5	+	A552-000020	HUB,CLUTCH	1		B
6	+	P021-005811	CLUTCH SHOE SET	1		
7	+	V451-000470	SPRING,TENSION	3		B
8		P021-049950	BRAKE,ASM CHAIN	1		
9	+	C300-000262	GUARD,SPROCKET	1		C
10	+	C309-000030	TENSIONER,CHAIN	1		C
11	+	V203-000041	BOLT,5	1		C
12	+	V651-000001	GEAR,BEVEL	1		D
13	+	V651-000011	GEAR,BEVEL	1		D
14	+	V355-000140	COLLAR,8	1		C
15	+	900253-04012	SCREW, TAPPING	1	4*12	
16	+	C345-000171	COVER,BRAKE	1		C
17	+	900253-04012	SCREW, TAPPING	3	4*12	
18	+	C320-000047	LEVER,BRAKE	1		C
19	+	900330-30260	ROLLER	2	3*26	
20	+	91318-05032	SCREW	1	5*32	
21	+	433167-39130	SPACER	1		C
22	+	V353-000060	COLLAR,5	1		C
23	+	900562-50005	NUT, LOCK	1	5	
24	+	C334-000070	CONNECTOR,BRAKE	1		C
25	+	V450-000070	SPRING,COMPRESSION	1		B
26	+	V376-000450	SPACER	1		C
27	+	C328-000030	BAND,BRAKE	1		C
28	+	93050-30098	ROLLER	1	3*9.8	
29	+	V452-000110	SPRING,TORSION	1		B
30	+	433116-35430	SPACER 8	1	8*12*9	C
31	+	C305-000091	PLATE,SPROCKET GUARD	1	T0.5	C
32		433019-03933	NUT, FLANGE 6	2	6	C
33		X562-001270	LABEL,SHINDAIWA	1	362WS SPROCKET	D
34		175007-39233	DRUM, CLUTCH 1/4	1	1/4 8T	B

Class : Consumable class

A:Fast moving parts B:Semi-fast moving parts C:Slow moving parts D:Order only as needed

ACCESSORIES



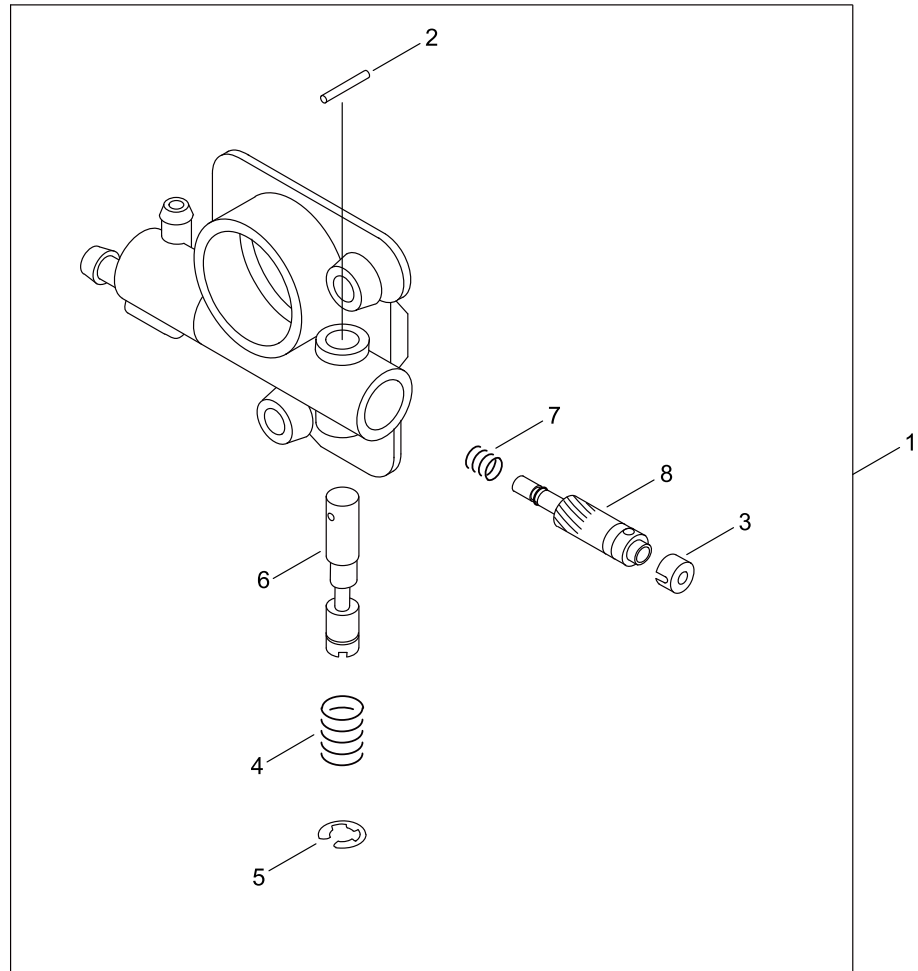
ACCESSORIES

Key No.	LV (+)	Parts Number	Parts Description	Qty	Standard	Class
1		X490-000410	CHAIN COVER	1		D
2		895410-03930	WRENCH, W/S. DRIVER	1		D
3		X122-000351	BAR, GUIDE 30	1	C30S91-47ML- SC	A
4		X222-000130	CHAIN, SAW	1	91VXL-47E	A

Class : Consumable class

A:Fast moving parts B:Semi-fast moving parts C:Slow moving parts D:Order only as needed

OILER





OILER

Key No.	LV (+)	Parts Number	Parts Description	Qty	Standard	Class
1		C022-000020	AUTO-OILER ASSEMBLY	1	OP-7	C
2	+	P003-002180	PIN, SPRING	1		
3	+	437062-38330	CAP, OIL PUMP	1		
4	+	437015-37330	SPRING	1		
5	+	123127-15030	RING	1		
6	+	P003-001370	NEEDLE-ADJ	1		D
7	+	437019-38330	SPRING	1		
8	+	437024-37330	PLUNGER	1		

Class : Consumable class

A:Fast moving parts B:Semi-fast moving parts C:Slow moving parts D:Order only as needed

GUIDE BAR, CHAIN

Pitch ピッチ (inch) (mm)	Gauge ゲージ (inch) (mm)	Length 長さ (cm)	Guide Bar ガイドバー		Saw Chain ソーチェン		Hard Nose ハード ノーズ 	Sprocket Nose スプロケット ノーズ 
			Key №	Type 形式	Key №	Type 形式		
3/8 9.53	0.050 1.27	30	A1	C30S91-47ML- SC	A2	91VXL-47E		●
					A3	91PX-47E		●
3/8 9.53	0.050 1.27	35	B1	C35S91-53ML- SC	B2	91VXL-53E		●
					B3	91PX-53E		●
3/8 9.53	0.050 1.27	40	C1	C40S91-58AA- ST	C2	91VXL-58E		●
					C3	91PX-58E		●
1/4 6.35	0.050 1.27	30	D1	C30H25-68CL- SD	D2	25AP-68E	●	
					D3	25A-68E	●	
1/4 6.35	0.050 1.27	35	E1	C35H25-76CL- ST	E2	25AP-76E	●	
					E3	25A-76E	●	

GUIDE BAR, CHAIN

Key No.	LV (+)	Parts Number	Parts Description	Qty	Standard	Class
A1		X122-000351	BAR,GUIDE 30	1	C30S91-47ML- SC	A
A2		X222-000130	CHAIN,SAW	1	91VXL-47E	A
A3		X222-000140	CHAIN,SAW	1	91PX-47E	A
B1		X123-000561	BAR,GUIDE 35	1	C35S91-53ML- SC	A
B2		X223-000080	CHAIN,SAW	1	91VXL-53E	A
B3		X223-000130	CHAIN,SAW	1	91PX-53E	A
C1		X124-000211	BAR,GUIDE 40	1	C40S91-58AA- ST	A
C2		X224-000030	CHAIN,SAW	1	91VXL-58E	A
C3		X224-000070	CHAIN,SAW	1	91PX-58E	A
D1		X102-000100	BAR,GUIDE 30	1	C30H25-68CL- SD	A
D2		431611-10030	CHAIN, SAW 25AP-68E	1	25AP-68E	A
D3		X202-000010	CHAIN,SAW	1	25A-68E	A
E1		X103-000150	BAR,GUIDE 35	1	C35H25-76CL- ST	A
E2		431612-10030	CHAIN, SAW 25AP-76E	1	25AP-76E	A
E3		X203-000000	CHAIN,SAW	1	25A-76E	A

Class : Consumable class

A:Fast moving parts B:Semi-fast moving parts C:Slow moving parts D:Order only as needed

NUMERICAL PARTS INDEX

Part No	Part description	Page	Part No	Part description	Page	Part No	Part description	Page
100013-15330	PIN, PISTON	2	436114-13930	VALVE, CHECK	4	A202-000033	BELLOWS,INTAKE	8
100014-60930	SPACER, PISTON PIN	2	437015-37330	SPRING	22	A204-000060	ELBOW,CARBURETOR	8
100015-04630	CIRCLIP, PISTON PIN	2	437019-38330	SPRING	22	A226-001700	ELEMENT, AIR FILTER	8
100142-12330	KEY, WOODRUFF	6	437024-37330	PLUNGER	22	A232-000181	LID,CLEANER	8
100910-18830	CUSHION	4	437062-38330	CAP, OIL PUMP	22	A235-000120	KNOB,CLEANER LID	8
100918-14330	CAP, CUSHION	16	890157-39131	LABEL, SWITCH	16	A239-000030	PIPE,INTAKE	4
100918-15130	CAP	4	890345-39231	LABEL,CAUTION	16	A241-000050	KNOB,CHOKE	16
100918-15130	CAP	16	895410-03930	WRENCH, W/S. DRIVER	20	A310-000431	SCREEN, ARRESTOR	12
123127-15030	RING	22	900105-05018	BOLT, H.S. 5*18	12	A312-000070	PLATE, EXHUST	12
123181-39130	PUMP, PRIMER	4	900106-05020	BOLT HSH, FLANGE	4	A313-001980	GUIDE, EXHAUST	12
125310-13930	SCREW	10	900106-05030	BOLT HSH, FLANGE	4	A320-001150	COVER,MUFFLER	12
125314-13930	SCREW	10	900162-05025	BOLT HSH	2	A365-000050	CONNECTOR,CAP	4
125314-51230	SCREW	10	900238-04012	SCREW	2	A369-000420	STRAINER, FUEL	4
125322-11520	SPRING, COIL	10	900238-05012	SCREW 5*12	8	A409-001180	ROTOR, MAGNETO	6
125323-08260	ARM, VALVE	10	900238-05020	SCREW	6	A425-000000	SPARKPLUG	6
125325-08360	GASKET, PUMP	10	900238-05050	SCREW 5*50	8	A426-000000	TERMINAL,SPARKPLUG	6
125327-15130	CLIP	10	900242-04010	SCREW 4*10	12	A427-000000	CAP,SPARK PLUG	6
125333-33330	SPRING, IDLE ADJUST	10	900253-04008	SCREW 4*8	16	A472-000091	CASE,SWITCH	16
125334-06960	SCREW, THROTTLEADJUST	10	900253-04010	SCREW, TAPPING	4	A506-000460	REEL,ROPE	14
125337-08260	VALVE, INLET NEEDLE	10	900253-04012	SCREW, TAPPING	4	A507-000110	CATCHER,PAWL	14
125338-13930	PIN, METERING ARM	10	900253-04012	SCREW	16	A514-000020	PAWL	6
125339-13930	SCREW	10	900253-04012	SCREW, TAPPING	18	A551-000010	PLATE,CLUTCH	18
125348-13930	SCREW	10	900253-04016	SCREW 4*16	12	A552-000020	HUB,CLUTCH	18
125363-12820	RETAINER	10	900253-04016	SCREW 4*16	16	C022-000020	AUTO-OILER ASSEMBLY	2
125378-13930	PIECE, FRICTION	10	900253-05020	SCREW, TAPPING	4	C022-000020	AUTO-OILER ASSEMBLY	22
130020-33330	NUT	16	900253-05020	SCREW 5*20	16	C300-000262	GUARD,SPROCKET	18
131300-56431	VENT ASSEMBLY, FUEL	4	900256-04016	SCREW 4*16	14	C304-000000	SPIKE	4
132115-01462	GROMMET	2	900330-30260	ROLLER	18	C305-000080	PLATE,SPROCKET GUARD	4
132115-44331	GROMMET, FUEL	4	900345-40025	PIN, SPRING 4*25SUS	16	C305-000091	PLATE,SPROCKET GUARD	18
150117-16430	SPACER	6	900515-00008	NUT, FLANGE	6	C309-000030	TENSIONER,CHAIN	18
156110-04920	BUSHING	6	900562-50005	NUT, LOCK	18	C320-000047	LEVER,BRAKE	18
163400-38430	SWITCH, IGNITION	16	900603-00005	WASHER	6	C328-000030	BAND,BRAKE	18
163911-30130	PLUG	4	900720-00018	O-RING	4	C334-000070	CONNECTOR,BRAKE	18
175005-39133	DRUM, CLUTCH	18	900724-00004	O-RING	4	C345-000171	COVER,BRAKE	18
175007-39233	DRUM, CLUTCH 1/4	18	91318-05032	SCREW	18	C400-000321	HANDLE,FRONT	16
177234-35430	SPRING, RETURN	6	92505-10200	O-RING	8	C410-000313	HANDLE,REAR	16
177236-61830	SCREW	14	93050-30098	ROLLER	18	C411-000001	LID,HANDLE	16
177247-04630	SPACER, RATCHET	6	94035-36201	BEARING, BALL	2	C450-000121	TRIGGER,THROTTLE	16
431611-10030	CHAIN, SAW 25AP-68E	24	A021-004400	CARBURETOR, DIAPHRAGM	8	C454-000110	ROD, THROTTLE	16
431612-10030	CHAIN, SAW 25AP-76E	24	A021-004400	CARBURETOR, DIAPHRAGM	10	C460-000030	LOCKOUT,THROTTLE	16
433019-03933	NUT, FLANGE 6	18	A051-003120	STARTER,RECOIL	14	C617-000200	STOPPER	16
433026-35430	CATCHER, CHAIN	4	A056-000071	CLUTCH	18	P003-001370	NEEDLE-ADJ	22
433116-35430	SPACER 8	18	A101-000670	RING, PISTON	2	P003-002180	PIN, SPRING	22
433167-39130	SPACER	18	A172-002190	COVER,FAN	14	P005-000790	SPRING,THRT.RETURN	10

NUMERICAL PARTS INDEX

Part No	Part description	Page	Part No	Part description	Page	Part No	Part description	Page
P005-000860	SCREEN, FUEL INLET	10	V137-000001	GROMMET,FUEL	4	V652-000030	GEAR,WORM	2
P005-001110	DIAPHRAGM, PUMP	10	V142-000020	GROMMET,DUST	16	X102-000100	BAR,GUIDE 30	24
P005-002370	NEEDLE, HIGH SPEED	10	V186-000510	JOINT,PIPE	4	X103-000150	BAR,GUIDE 35	24
P005-002380	NEEDLE, IDLE	10	V202-000020	BOLT,4	4	X122-000351	BAR,GUIDE 30	20
P005-002390	SHAFT, CHOKE	10	V202-000020	BOLT,4	16	X122-000351	BAR,GUIDE 30	24
P005-002400	PLUG, WELCH	10	V203-000041	BOLT,5	18	X123-000561	BAR,GUIDE 35	24
P005-003050	LEVER, CHOKE	10	V203-000080	BOLT,5	6	X124-000211	BAR,GUIDE 40	24
P005-003180	COVER, PUMP	10	V224-000031	BOLT,STUD 6	4	X202-000010	CHAIN,SAW	24
P005-003190	DIAPHRAGM ,METERING	10	V308-000030	WASHER,CIRCULAR 11	2	X203-000000	CHAIN,SAW	24
P005-003200	GASKET, METERING	10	V341-000040	WASHER,SQUARE	4	X222-000130	CHAIN,SAW	20
P005-003210	COVER, METERING	10	V351-000000	COLLAR,3	8	X222-000130	CHAIN,SAW	24
P005-003220	SCREW	10	V353-000060	COLLAR,5	18	X222-000140	CHAIN,SAW	24
P005-003590	NOZZLE, CHECK VALVE	10	V355-000140	COLLAR,8	18	X223-000080	CHAIN,SAW	24
P005-003600	SHAFT ASY,THROTTLE	10	V356-000290	COLLAR,10	2	X223-000130	CHAIN,SAW	24
P005-003610	LEVER, THROTTLE	10	V359-000060	COLLAR,16	8	X224-000030	CHAIN,SAW	24
P005-003620	VALVE, THROTTLE	10	V376-000450	SPACER	18	X224-000070	CHAIN,SAW	24
P005-003630	COLLAR	10	V400-000070	CUSHION,4	16	X490-000410	CHAIN COVER	20
P005-003640	VALVE, CHOKE	10	V401-000120	CUSHION,5	16	X505-000181	LABEL,CAUTION	14
P005-003650	SPRING, CHOKE RETURN	10	V420-001110	CUSHION	4	X505-007710	LABEL,CAUTION	12
P005-003660	SPRING	10	V424-000000	SLEEVE,CUSHION	16	X562-001260	LABEL,SHINDAIWA	14
P005-003670	PLUNGER	10	V450-000070	SPRING,COMPRESSION	18	X562-001270	LABEL,SHINDAIWA	18
P005-003680	O-RING	10	V451-000470	SPRING,TENSION	18			
P005-003690	PLUG	10	V452-000110	SPRING,TORSION	18			
P021-005581	CAP ASY	4	V452-000260	SPRING,TORSION	16			
P021-005601	CAP ASY	4	V452-001320	SPRING,TORSION	14			
P021-005811	CLUTCH SHOE SET	18	V470-000322	PIPE	4			
P021-008831	DUSTCOVER SET	4	V470-000482	PIPE	8			
P021-039160	CRANKSHAFT ASY	2	V471-000741	PIPE	2			
P021-045440	PISTON KIT	2	V471-000751	PIPE	4			
P021-045451	MUFFLER ASY	12	V471-000761	PIPE	2			
P021-048611	COIL, IGNITION	6	V471-001291	PIPE	4			
P021-049950	BRAKE,ASM CHAIN	18	V471-001441	PIPE	4			
P022-001330	SPRING KIT, REWIND	14	V475-002390	TUBE	6			
P022-005891	GRIP, STARTER	14	V475-007430	TUBE	6			
P022-008440	ROPE, STARTER	14	V485-000550	LEAD	6			
P022-033280	SPRING CASE	14	V485-000560	LEAD	16			
P022-043740	CASE,STARTER ASY	14	V485-000571	LEAD	16			
P100-001900	STRAINER, OIL	2	V490-001230	CLIP	2			
P100-006900	CRANKCASE SET	2	V490-001240	CLIP	4			
P100-006990	COVER ENGINE ASY	4	V505-000011	SEAL,OIL 12	2			
V103-001510	GASKET,INTAKE	8	V553-000130	BEARING,NEEDLE 8	2			
V104-001960	GASKET,EXHAUST	12	V555-000170	BEARING,NEEDLE 10	18			
V104-001980	GASKET,EXHAUST	12	V582-000020	RING,SNAP	8			
V130-000010	GROMMET,CHOKE	16	V651-000001	GEAR,BEVEL	18			
			V651-000011	GEAR,BEVEL	18			