

CS-2511WES

Serial Number

38000001-38999999

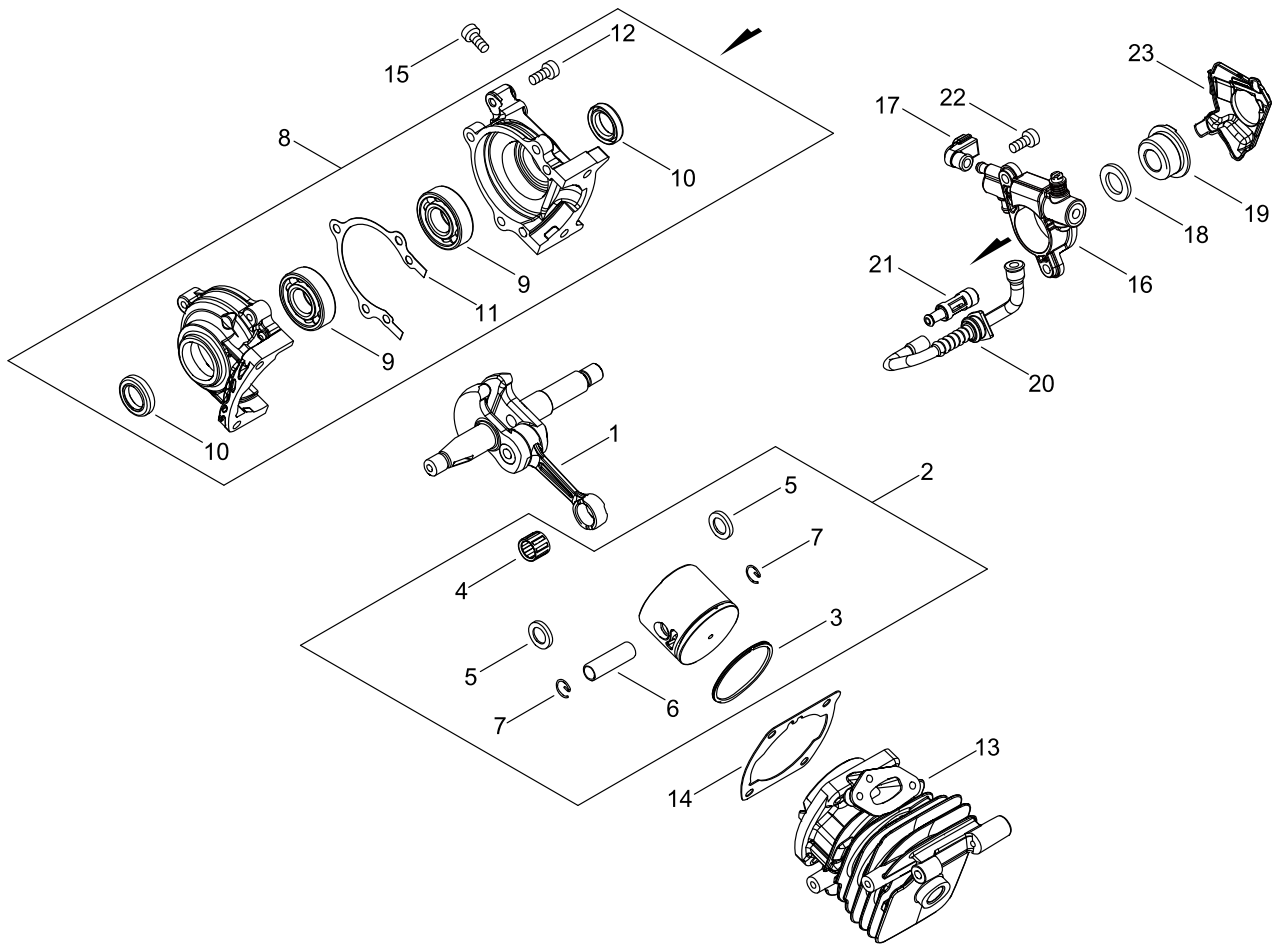
Last updated date

27/Nov/2020

TABLE OF CONTENTS

CYLINDER, PISTON, CRANKSHAFT	1
ENGINE COVER.....	3
MAGNETO.....	5
AIR CLEANER, CARBURETOR.....	7
CARBURETOR.....	9
MUFFLER.....	11
RECOIL STARTER.....	13
HANDLE.....	15
CHAIN BRAKE.....	17
ACCESSORIES	19
OILER.....	21
GUIDE BAR, CHAIN.....	23
OPTION PARTS.....	25

CYLINDER, PISTON, CRANKSHAFT



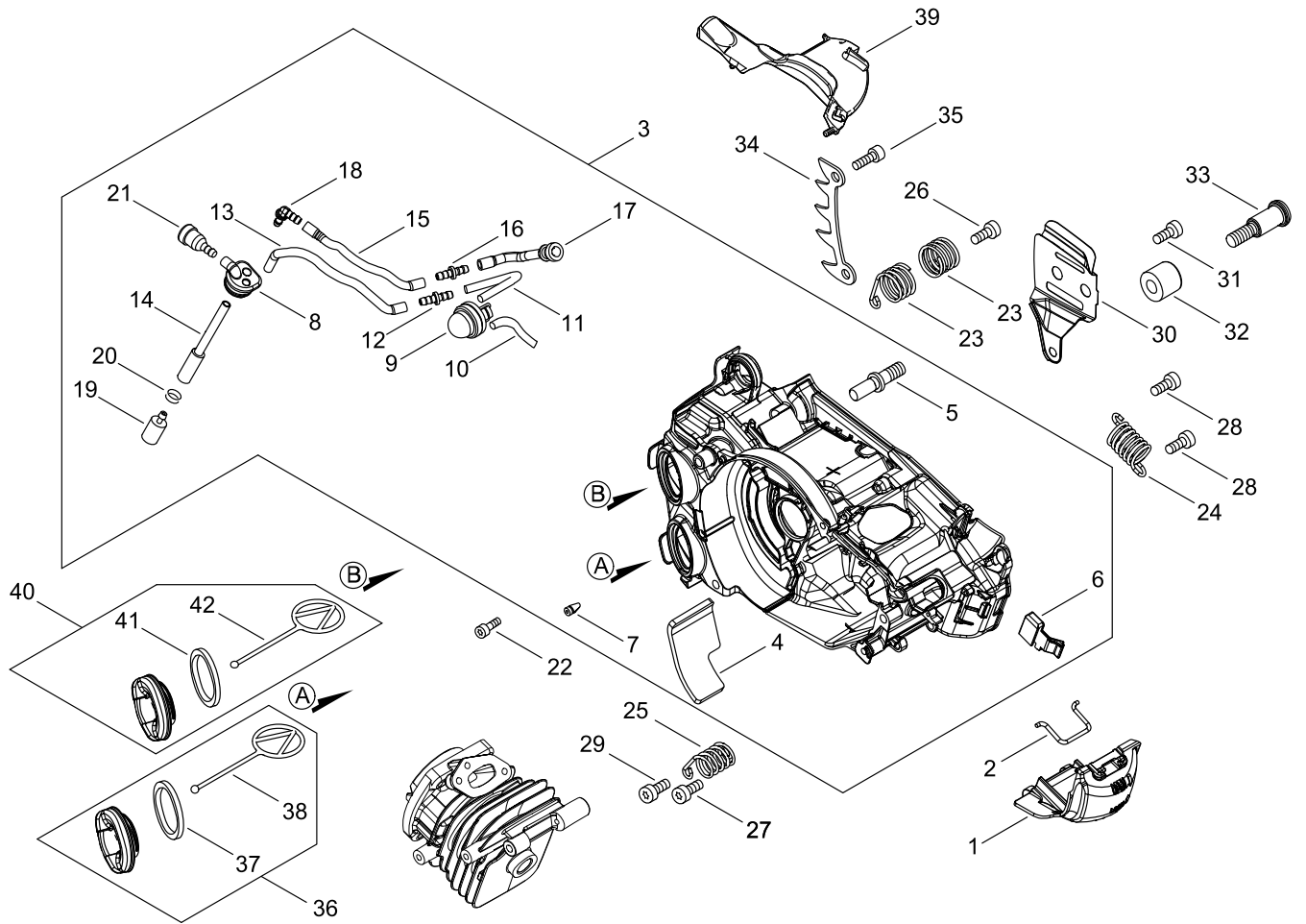
CYLINDER, PISTON, CRANKSHAFT

Key No.	LV (+)	Parts Number	Parts Description	Qty	Standard	Class
1		A011-001440	CRANKSHAFT,ASM	1		D
2		P021-050120	PISTON KIT	1		
3	+	A101-000700	RING, PISTON	1	35*B1.2*T1.6	B
4	+	V553-000020	BEARING,NEEDLE 8	1	KBK8X11X8.8X4	B
5	+	100014-55930	SPACER, PISTON PIN	2		C
6	+	V606-000020	PIN,ENG 8	1	5.8*8*25.5	D
7	+	100015-04630	CIRCLIP, PISTON PIN	2		C
8		P021-050130	CRANKCASE SET	1		
9	+	900800-36001	BEARING, BALL	2	6001	
10	+	V505-000070	OIL SEAL	2		C
11	+	V102-000290	GASKET,CRANKCASE	1	T0.3	B
12	+	V804-000100	BOLT, TORX 4	3	TB-4*16 12.9	C
13		P021-051920	CYLINDER	1		
14		V100-000830	GASKET,CYL	1	T0.5	B
15		V804-000100	BOLT, TORX 4	4	TB-4*16 12.9	C
16		C022-000211	AUTO-OILER ASSEMBLY	1	OP-27C(B)	C
17		V470-002171	PIPE	1		C
18		V308-000030	WASHER,CIRCULAR 11	1	10.5*17.4*1.8	C
19		V652-000230	GEAR,WORM	1		B
20		V470-002200	PIPE	1		C
21		P021-050140	STRAINER, OIL ASY	1		
22		V804-000050	BOLT, TORX 4	2	TB-4*12 10.9	C
23		C236-000150	COVER,OILER	1		D

Class : Consumable class

A:Fast moving parts B:Semi-fast moving parts C:Slow moving parts D:Order only as needed

ENGINE COVER



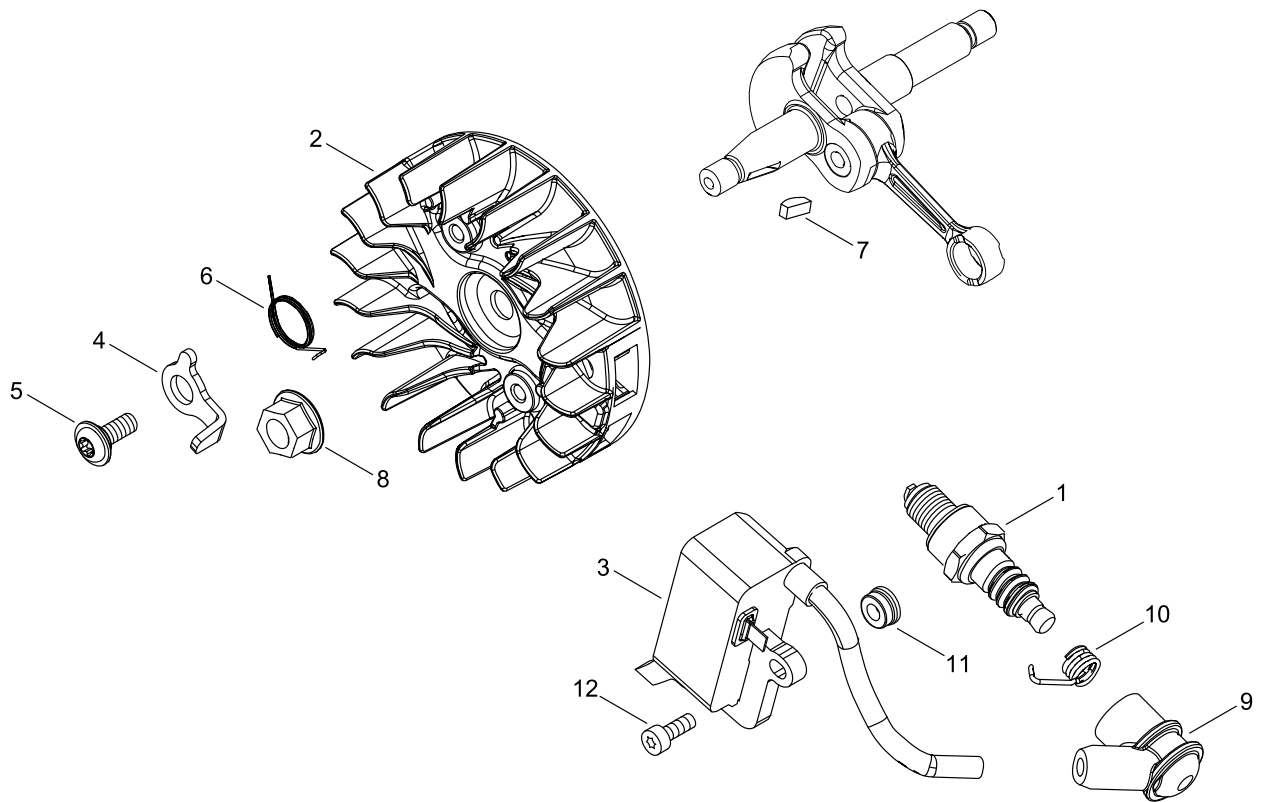
ENGINE COVER

Key No.	LV (+)	Parts Number	Parts Description	Qty	Standard	Class
1		A429-000200	COVER,CAP	1		C
2		C649-000440	HOOK	1		D
3		P100-004934	COVER ENGINE ASY	1		
4	+	V341-000201	WASHER,SQUARE	1	タック断熱	C
5	+	V225-000262	BOLT,STUD 8	1		C
6	+	A219-000071	SHUTTER, AIR	1		C
7	+	436114-13930	VALVE, CHECK	1		B
8	+	V137-000140	GROMMET,FUEL	1		C
9	+	A035-000040	PUMP, FUEL	1	188-554-A	A
10	+	V470-002181	PIPE	1	TO P_PUMP	C
11	+	V471-004871	PIPE	1	3*5*56.5L	C
12	+	V186-000020	JOINT,PIPE	1		C
13	+	V471-003661	PIPE	1	3*5*115	C
14	+	V470-002210	PIPE	1		C
15	+	V471-003821	PIPE	1	3*5*95	C
16	+	V186-000510	JOINT,PIPE	1		C
17	+	V470-002191	PIPE	1	TO CARB	C
18	+	V186-000530	JOINT,PIPE	1		C
19	+	A369-000420	STRAINER, FUEL	1	ES-16499	A
20	+	V490-000500	CLIP	1		C
21	+	131300-56431	VENT ASSEMBLY, FUEL	1		B
22		V804-000100	BOLT, TORX 4	3	TB-4*16 12.9	C
23		V450-002300	SPRING,COMPRESSION	2		B
24		V450-002060	SPRING,COMPRESSION	1		B
25		V450-002310	SPRING,COMPRESSION	1		B
26		V804-000000	BOLT, TORX 4	1	TT-4*12 DG 10.9	C
27		V804-000000	BOLT, TORX 4	1	TT-4*12 DG 10.9	C
28		V804-000000	BOLT, TORX 4	2	TT-4*12 DG 10.9	C
29		V804-000010	BOLT, TORX 4	1	TT-4*16 DG 10.9	C
30		C305-000511	PLATE,SPROCKET GUARD	1	T0.3	C
31		V203-002280	BOLT,5	1		C
32		C310-000140	CATCHER, CHAIN	1		B
33		V203-002260	BOLT,5	1		C
34		C304-000000	SPIKE	1		C
35		V805-000240	BOLT, TORX 5	2	TT-5*12 DG 10.9	C
36		A033-000390	OIL,CAP	1		B
37	+	V107-000180	GASKET,FUEL CAP	1		A
38	+	A365-000050	CONNECTOR,CAP	1		B
39		A127-000560	COVER,DUST	1		C
40		A033-000410	CAP,FUEL	1		B
41	+	V107-000180	GASKET,FUEL CAP	1		A
42	+	A365-000050	CONNECTOR,CAP	1		B

Class : Consumable class

A:Fast moving parts B:Semi-fast moving parts C:Slow moving parts D:Order only as needed

MAGNETO



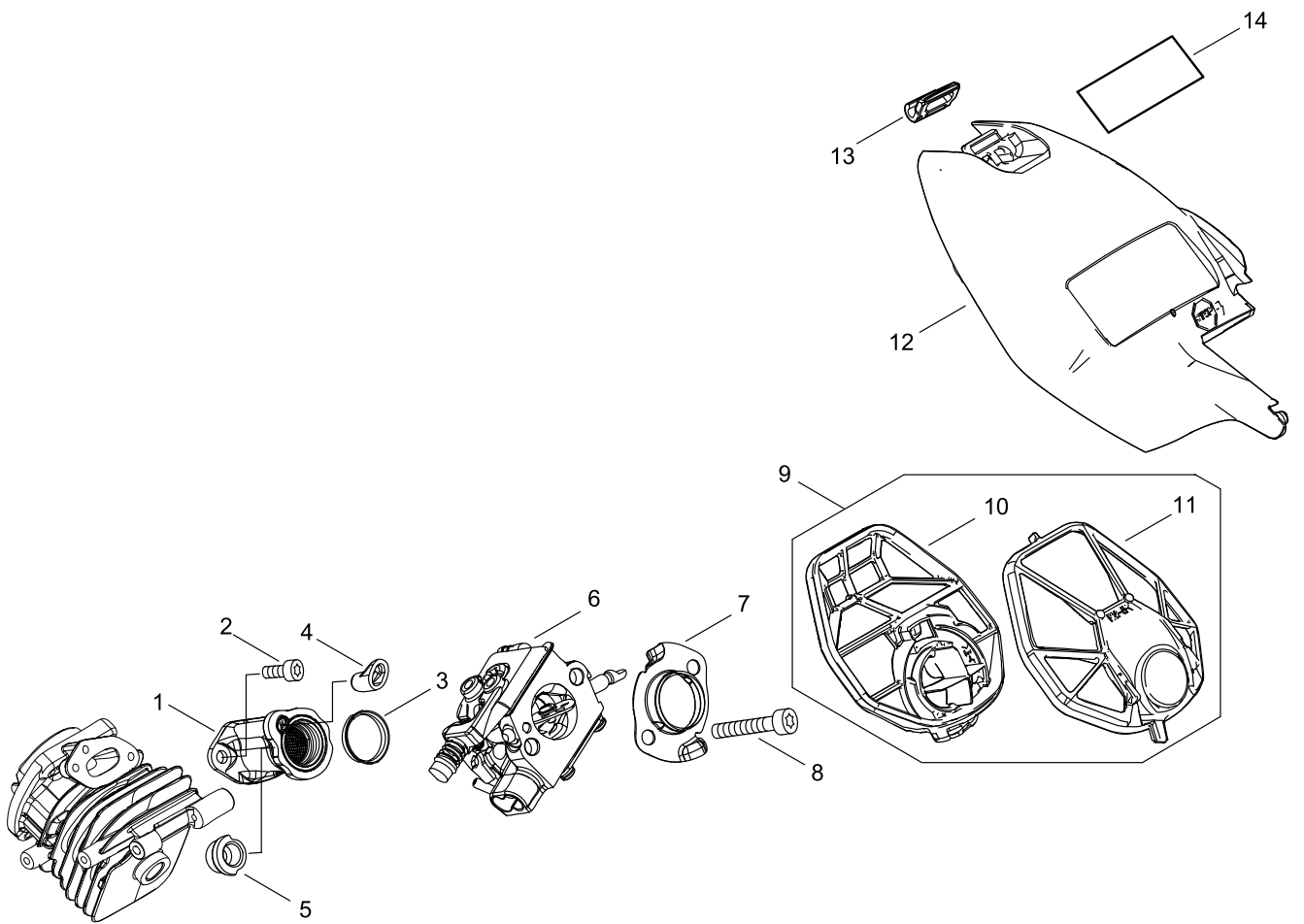
MAGNETO

Key No.	LV (+)	Parts Number	Parts Description	Qty	Standard	Class
1		A425-000070	SPARKPLUG	1	CMR7H-10	A
2		A409-001300	ROTOR, MAGNETO	1		C
3		P100-006570	COIL, IGNITION	1		
4		A514-000300	PAWL	2		C
5		V203-002250	BOLT,5	2		C
6		V452-000030	SPRING,TORSION	2		B
7		100142-12330	KEY, WOODRUFF	1		C
8		V265-000140	NUT	1		C
9		A427-000190	CAP,SPARK PLUG	1		C
10		A426-000010	TERMINAL,SPARKPLUG	1		C
11		V352-000300	COLLAR,4	2	4.5*8.3*4.6L	C
12		V804-000060	BOLT, TORX 4	2	TB-4*16 10.9	C

Class : Consumable class

A:Fast moving parts B:Semi-fast moving parts C:Slow moving parts D:Order only as needed

AIR CLEANER, CARBURETOR



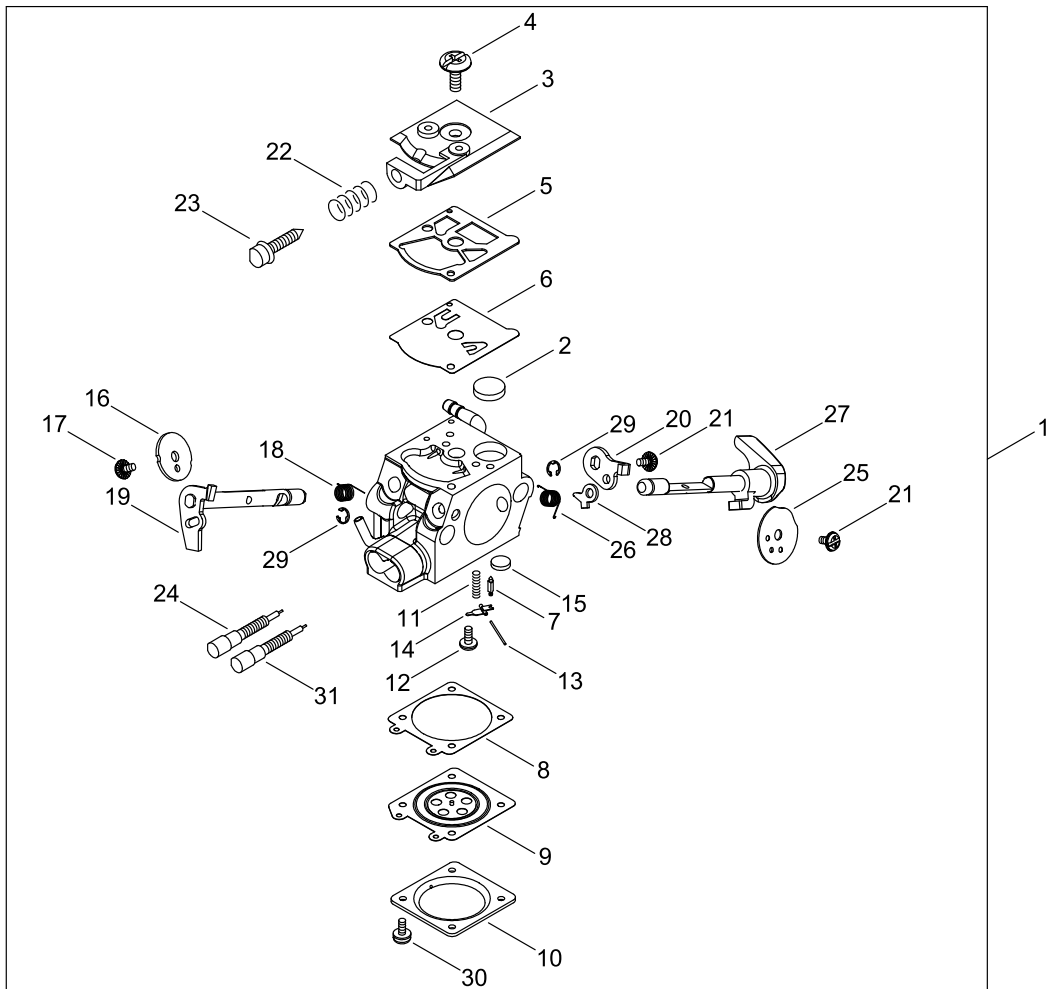
AIR CLEANER, CARBURETOR

Key No.	LV (+)	Parts Number	Parts Description	Qty	Standard	Class
1		A202-000290	BELLOWS, INTAKE	1		C
2		V804-000040	BOLT, TORX 4	2	TB-4*10 10.9	C
3		V358-000220	COLLAR,14	1	14*16*2.5	C
4		V351-000030	COLLAR,3	1		C
5		V162-000771	PLUG	2	ヘッド留め穴	C
6		A021-005020	CARBURETOR,DIAPHRAGM	1	WT-	B
7		A204-000250	ELBOW, CARBURETOR	1	T:0.5	C
8		V805-000070	BOLT, TORX 5	2	TB-5*40 10.9	C
9		A226-002310	ELEMENT, AIR FILTER	1		A
10	+	A226-002290	ELEMENT, AIR FILTER	1		A
11	+	A226-002300	ELEMENT, AIR FILTER	1		A
12		A232-002030	LID,CLEANER	1		C
13		A235-000410	KNOB,CLEANER LID	1		C
14		X503-015310	LABEL,MODEL	1	CS-2511WES	D

Class : Consumable class

A:Fast moving parts B:Semi-fast moving parts C:Slow moving parts D:Order only as needed

CARBURETOR



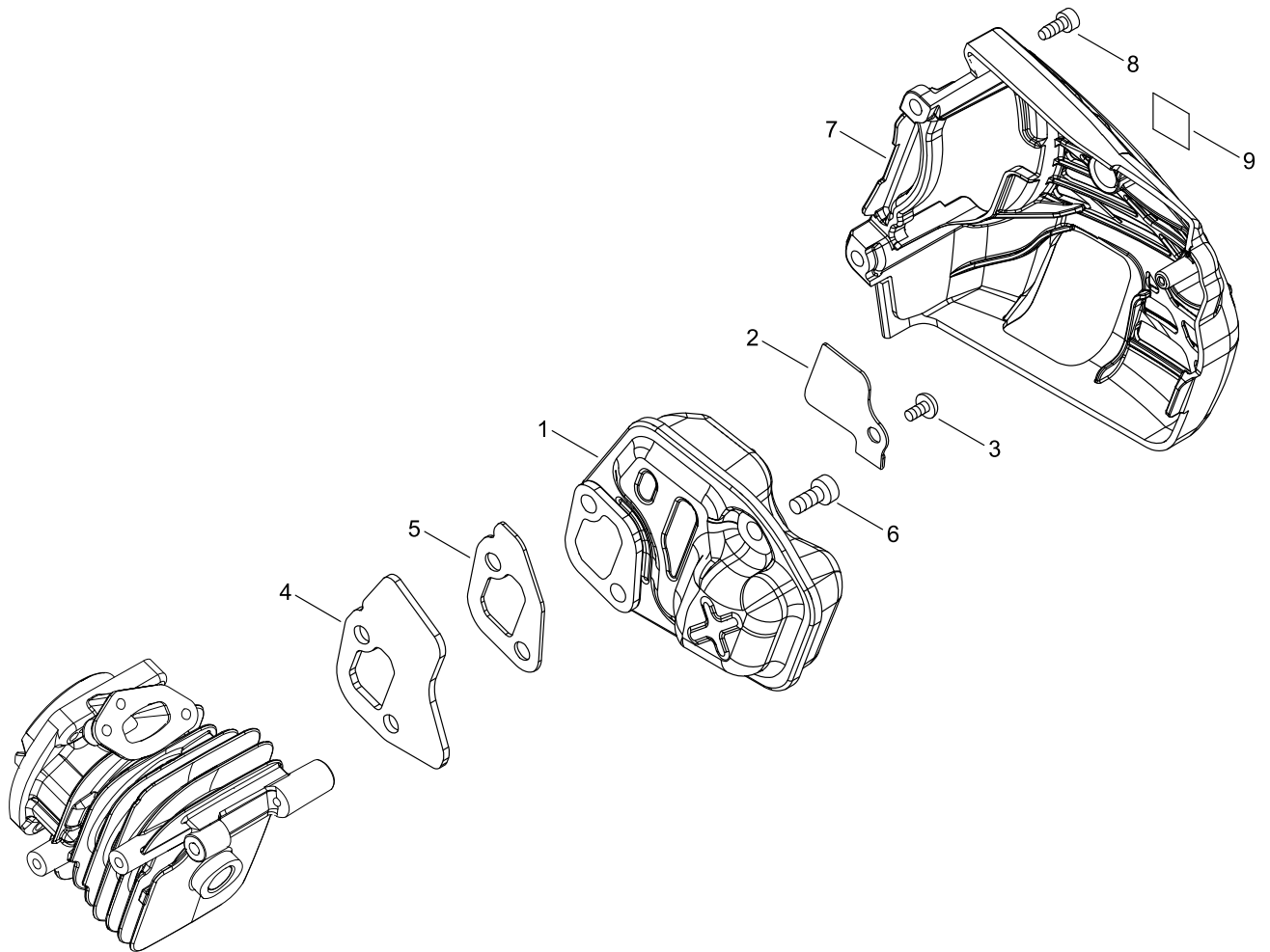
CARBURETOR

Key No.	LV (+)	Parts Number	Parts Description	Qty	Standard	Class
1		A021-005020	CARBURETOR,DIAPHRAGM	1	WT-	B
2	+	123126-10631	SCREEN, INLET	1		
3	+	P003-005980	COVER, FUEL PUMP	1		
4	+	123110-03930	SCREW, PUMP COVER	1		
5	+	123125-15030	GASKET, FUEL PUMP	1		
6	+	123112-15030	DIAPHRAGM, FUEL PUMP	1		
7	+	123137-19830	VALVE, INLET NEEDLE	1		
8	+	123140-27230	GASKET,M. DIAPHRAGM	1		
9	+	P003-001850	DIAPHRAGM, METERING	1		
10	+	123142-03930	COVER, M. DIAPHRAGM	1		
11	+	123122-39830	SPRING, METER. LEVER	1		
12	+	P003-005400	SCREW	1		
13	+	123138-03930	PIN, METERING LEVER	1		
14	+	123123-03930	LEVER, METERING	1		
15	+	123146-10631	PLUG, WELCH	1		
16	+	P003-005750	VALVE, THROTTLE	1		
17	+	P003-002380	SCREW	1		
18	+	123113-37530	SPRING, THROTTLE RTN	1		B
19	+	P003-001300	SHAFT, THROTTLE	1		
20	+	P003-005080	LEVER, THROTTLE	1		
21	+	123114-38830	SCREW	2		
22	+	123133-04260	SPRING, IDLE ADJUST	1		
23	+	P003-006290	SCREW, IDLE ADJUST	1		
24	+	P003-004190	NEEDLE	1		D
25	+	P003-000410	VALVE CHOKE	1		
26	+	P003-004780	SPRING	1		
27	+	P003-006300	SHAFT-CHOKE(MOLD)	1		
28	+	P003-001510	LEVER-FAST IDLE	1		
29	+	123127-15030	RING	2		
30	+	123130-02960	SCREW	4		
31	+	P003-004180	NEEDLE	1		D

Class : Consumable class

A:Fast moving parts B:Semi-fast moving parts C:Slow moving parts D:Order only as needed

MUFFLER



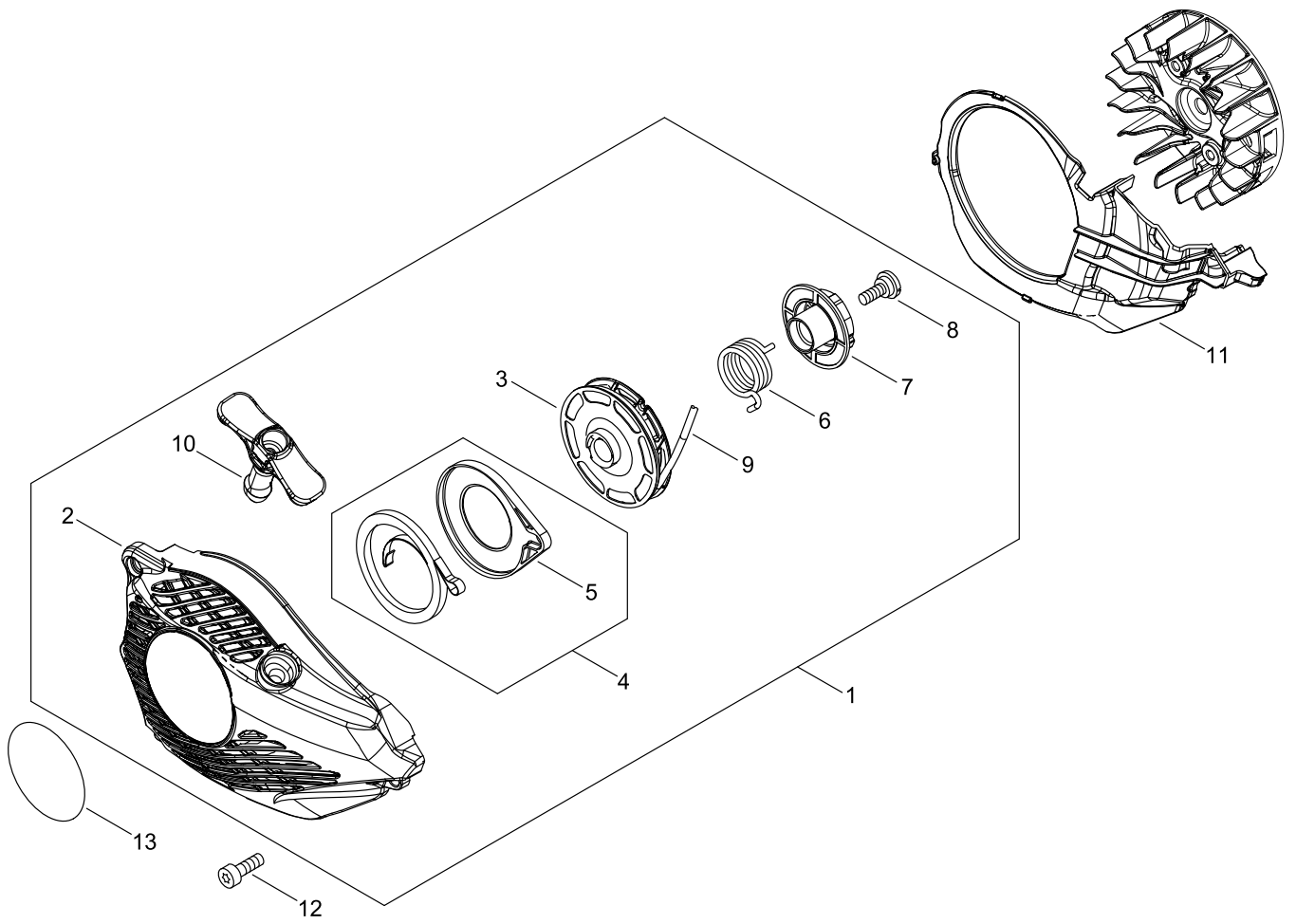
MUFFLER

Key No.	LV (+)	Parts Number	Parts Description	Qty	Standard	Class
1		A030-000880	MUFFLER ASY	1		B
2		A310-000490	SCREEN, ARRESTOR	1		B
3		900216-04006	SCREW	1	4*6	
4		A312-000090	PLATE, EXHUST	1		C
5		V104-002290	GASKET,EXHAUST	1		A
6		V805-000150	BOLT, TORX 5	3	TB-5*16 10.9	C
7		A320-001210	COVER,MUFFLER	1	FOR CAT MUF	C
8		V804-000010	BOLT, TORX 4	2	TT-4*16 DG 10.9	C
9		X505-007710	LABEL,CAUTION	1		D

Class : Consumable class

A:Fast moving parts B:Semi-fast moving parts C:Slow moving parts D:Order only as needed

RECOIL STARTER



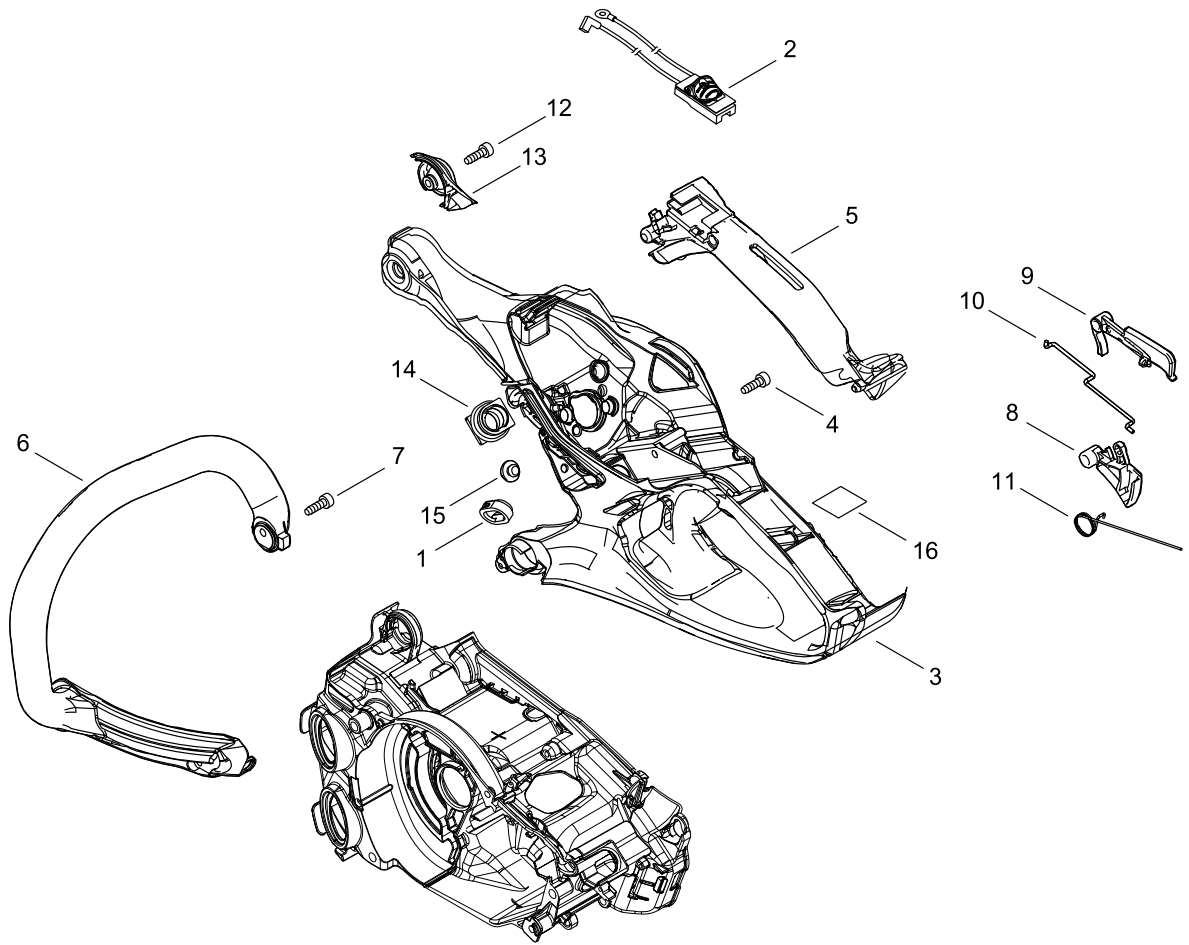
RECOIL STARTER

Key No.	LV (+)	Parts Number	Parts Description	Qty	Standard	Class
1		A051-003132	STARTER,RECOIL ASY	1		B
2	+	P022-051080	CASE,STARTER ASY	1		
3	+	P022-040050	DRUM	1		
4	+	P022-040060	SPRING KIT, REWIND	1		
5	++	P022-040070	SPRING CASE	1		
6	+	P022-036670	SPRING,DAMPER	1		
7	+	P022-040080	PLATE, CAM	1		
8	+	177236-61830	SCREW	1		
9	+	P022-040090	ROPE, STARTER	1	3*700	
10	+	P022-048980	GRIP, STARTER	1		
11		A172-003200	COVER,FAN	1		C
12		V804-000060	BOLT, TORX 4	3	TB-4*16 10.9	C
13		X502-001110	LABEL,ECHO	1	ECHO XSERIES	D

Class : Consumable class

A:Fast moving parts B:Semi-fast moving parts C:Slow moving parts D:Order only as needed

HANDLE



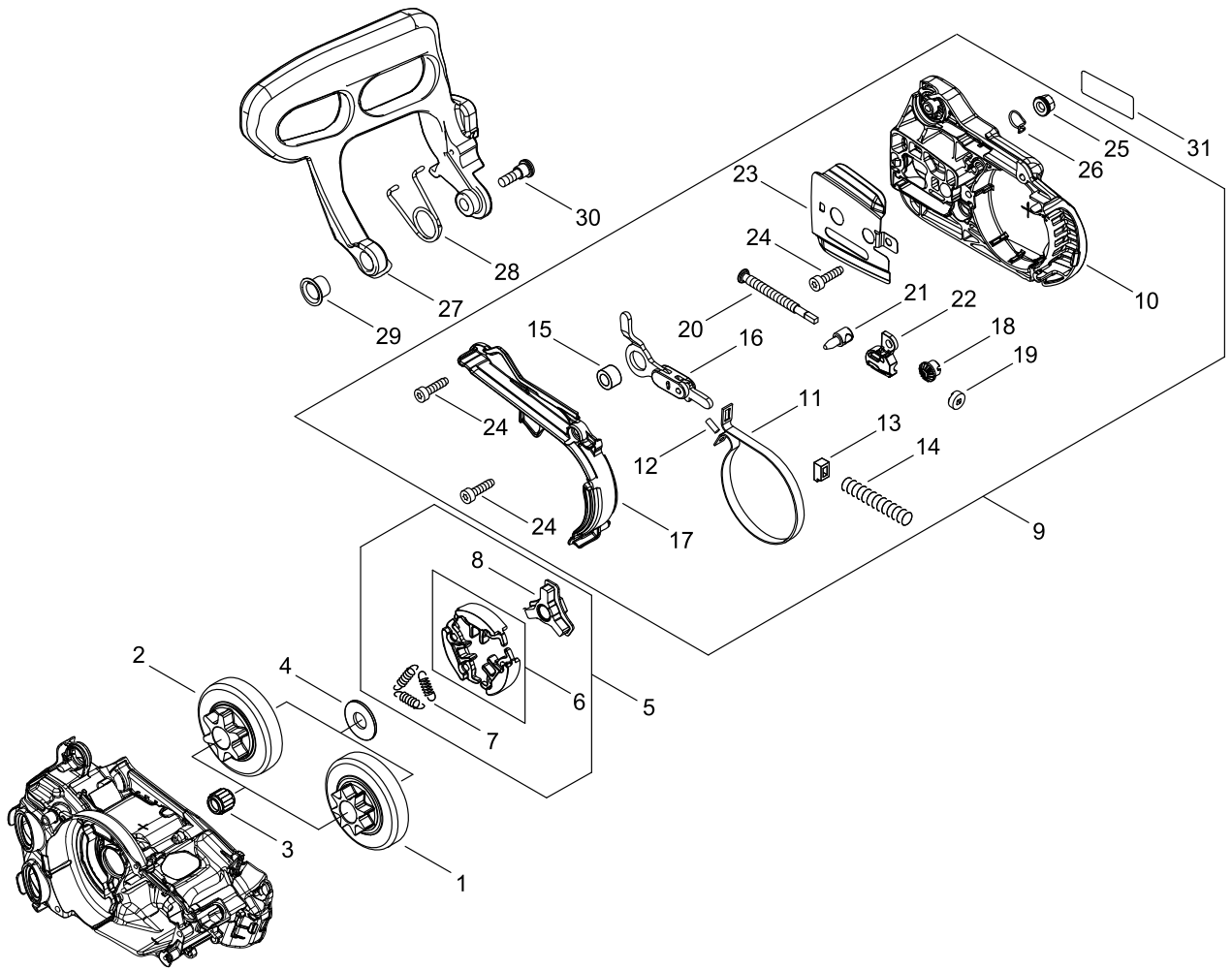
HANDLE

Key No.	LV (+)	Parts Number	Parts Description	Qty	Standard	Class
1		V131-000220	GROMMET,NEEDLE	1		C
2		A440-002741	SWITCH,ON OFF	1		C
3		C410-001480	HANDLE,REAR	1		C
4		V804-000000	BOLT, TORX 4	1	TT-4*12 DG 10.9	C
5		C411-000260	LID,HANDLE	1		C
6		C400-001700	HANDLE, FRONT	1		C
7		V805-000000	BOLT, TORX 5	1	TT-5*16 DG 10.9	C
8		C450-001070	CONTROL, THROTTLE	1		C
9		C460-000591	LOCKOUT, THROTTLE	1		C
10		C454-000590	ROD, THROTTLE	1		C
11		V452-001650	SPRING,TORSION	1		B
12		V804-000010	BOLT, TORX 4	1	TT-4*16 DG 10.9	C
13		V456-000400	HOLDER,SPRING	1		C
14		A239-000110	PIPE, INTAKE	1		C
15		V420-004980	CUSHION	1		B
16		890345-39231	LABEL,CAUTION	1		D

Class : Consumable class

A:Fast moving parts B:Semi-fast moving parts C:Slow moving parts D:Order only as needed

CHAIN BRAKE



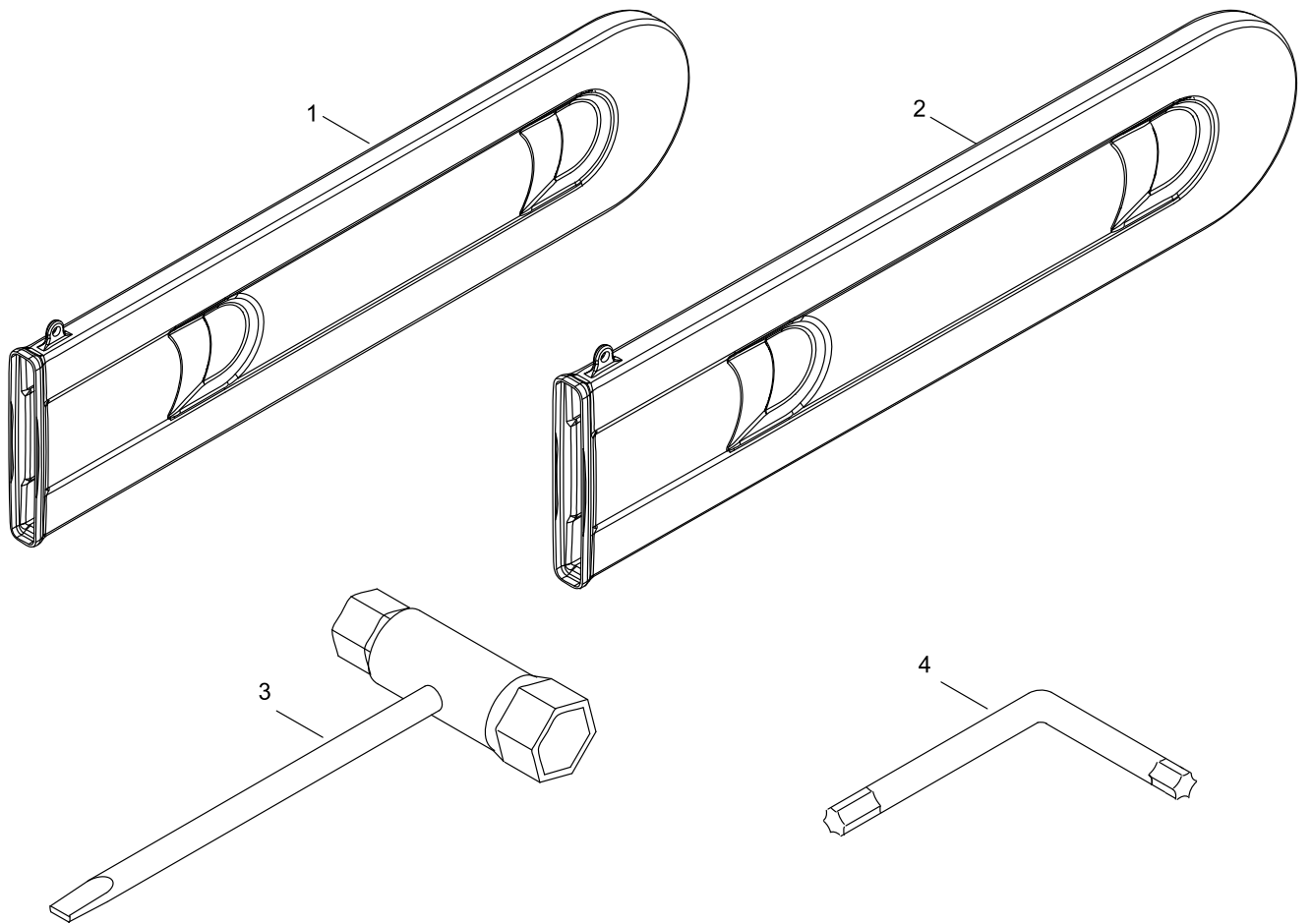
CHAIN BRAKE

Key No.	LV (+)	Parts Number	Parts Description	Qty	Standard	Class
1		A556-001710	DRUM, CLUTCH	1	1/4	B
2		A556-001720	DRUM, CLUTCH	1	3/8	B
3		V555-000190	BEARING,NEEDLE 10	1	10*13*9.8	B
4		A551-000170	PLATE, CLUTCH	1		C
5		A056-000830	CLUTCH ASY	1		B
6	+	P100-004180	CLUTCH SHOE SET	1		
7	+	A566-000290	SPRING, CLUTCH	3		B
8	+	A552-000430	HUB, CLUTCH	1		B
9		P100-002170	GUARD, SPROCKET ASY	1		
10	+	C300-001140	GUARD, SPROCKET	1		C
11	+	C328-000330	BAND, BRAKE	1		C
12	+	93050-30080	ROLLER	1	3*8	
13	+	V376-000450	SPACER	1		C
14	+	V450-002080	SPRING,COMPRESSION	1		B
15	+	V355-000860	COLLAR,8	1		C
16	+	C334-000340	CONNECTOR, BRAKE	1		C
17	+	C345-000640	COVER,BRAKE	1		C
18	+	V651-001060	GEAR,BEVEL	1		D
19	+	V651-000011	GEAR,BEVEL	1		D
20	+	V203-000041	BOLT,5	1		C
21	+	C309-000110	TENSIONER,CHAIN	1		C
22	+	V355-000840	COLLAR,8	1		C
23	+	C305-000521	PLATE,SPROCKET GUARD	1	T0.3	C
24	+	V804-000000	BOLT, TORX 4	3	TT-4*12 DG 10.9	C
25	+	V265-000550	NUT,8	1		C
26	+	C649-000420	HOOK	1		D
27		C320-000560	LEVER, BRAKE	1		C
28		V452-001660	SPRING,TORSION	1		B
29		V356-000780	COLLAR,10	1		C
30		V203-002270	BOLT,5	1		C
31		X502-000340	LABEL,ECHO	1	ECHO(WHITE)	D

Class : Consumable class

A:Fast moving parts B:Semi-fast moving parts C:Slow moving parts D:Order only as needed

ACCESSORIES



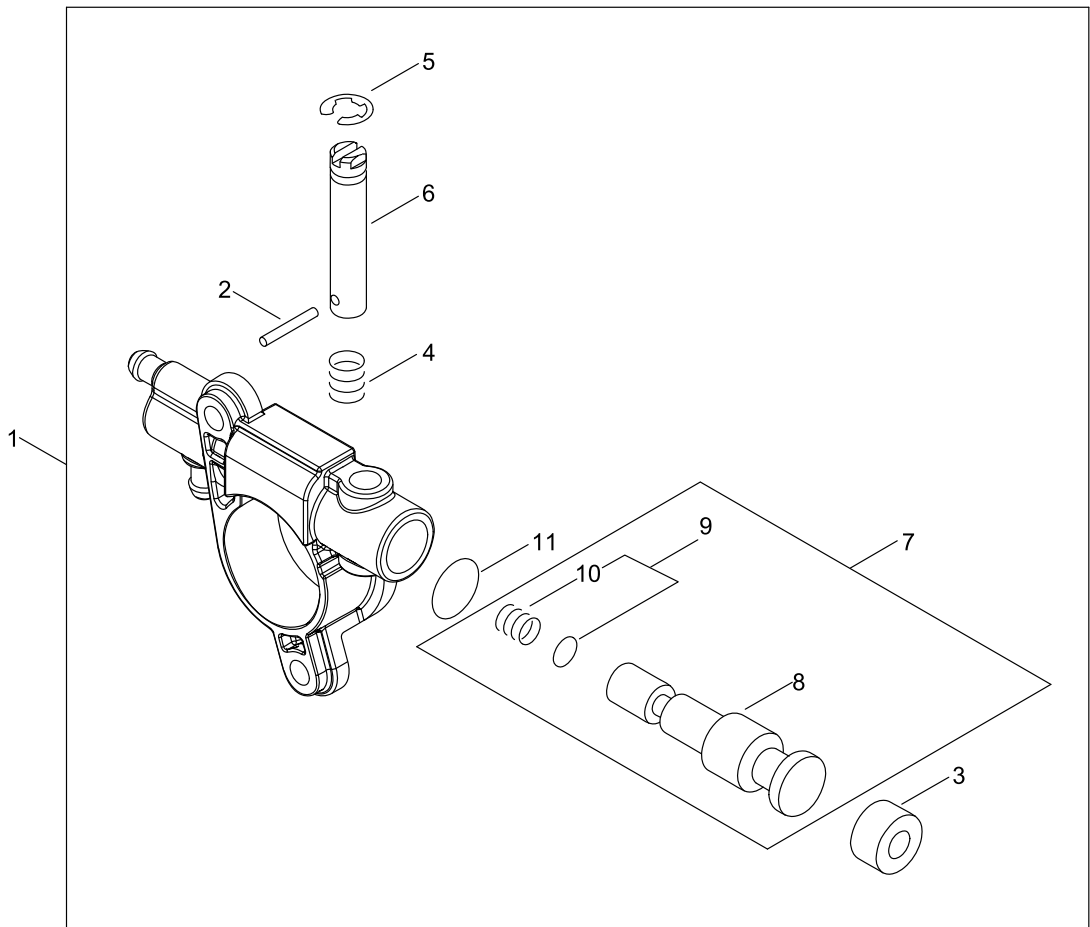
ACCESSORIES

Key No.	LV (+)	Parts Number	Parts Description	Qty	Standard	Class
1		X490-000840	SCABBARD,CHAIN	1	260	D
2		X490-000920	SCABBARD,CHAIN	1		D
3		X602-000160	PLUG WRENCH	1		D
4		X605-000190	TOOL,L WRENCH	1	T27 120*80	D

Class : Consumable class

A:Fast moving parts B:Semi-fast moving parts C:Slow moving parts D:Order only as needed

OILER





OILER

Key No.	LV (+)	Parts Number	Parts Description	Qty	Standard	Class
1		C022-000211	AUTO-OILER ASSEMBLY	1	OP-27C(B)	C
2	+	P003-002180	PIN, SPRING	1		
3	+	437062-38330	CAP, OIL PUMP	1		
4	+	437015-37330	SPRING	1		
5	+	123127-15030	RING	1		
6	+	P003-005430	NEEDLE-ADJ	1		D
7	+	P200-000390	PLUNGER SHAFT KIT	1		
8	++	P003-005990	SHAFT ASY-PLUNGER	1		
9	++	P200-000490	SPRING WASHER KIT	1		
10	+++	P003-006000	SPRING	1		
11	+	P003-005420	WASHER	1		

Class : Consumable class

A:Fast moving parts B:Semi-fast moving parts C:Slow moving parts D:Order only as needed

GUIDE BAR, CHAIN

Pitch ピッチ (inch) (mm)	Gauge ゲージ (inch) (mm)	Length 長さ (cm)	Guide Bar ガイドバー		Saw Chain ソーチェーン		Hard Nose ハード ノーズ	Sprocket Nose スプロケット ノーズ
			Key №	Type 形式	Key №	Type 形式		
1/4 6.35	0.043 1.09	20	A1	C20HA4-52CL- ED	A2	A4S-52E	●	
1/4 6.35	0.043 1.09	20	B1	C20SA4-52CL- ED	B2	A4S-52E		●
3/8 9.53	0.050 1.27	20	C1	C20S91-35SA- ET	C2	91PX-35E		●
1/4 6.35	0.043 1.09	25	D1	C25HA4-60CL- ED	D2	A4S-60E	●	
1/4 6.35	0.043 1.09	25	E1	C25SA4-60CL- ED	E2	A4S-60E		●
3/8 9.53	0.050 1.27	25	F1	C25S91-40SL- ET	F2	91PX-40E		●
3/8 9.53	0.050 1.27	30	G1	C30S91-47ML- EC	G2	91PX-47E		●

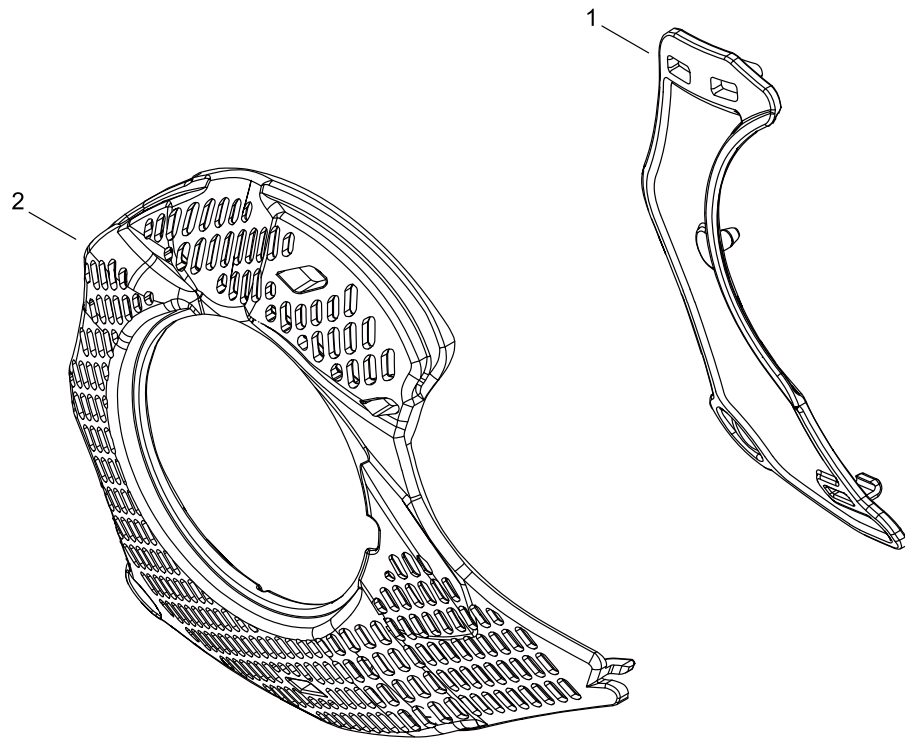
GUIDE BAR, CHAIN

Key No.	LV (+)	Parts Number	Parts Description	Qty	Standard	Class
A1		X100-000070	BAR,GUIDE 20	1	C20HA4-52CL- ED	A
A2		X200-000020	CHAIN,SAW	1	A4S-52E ECHO	A
B1		X120-000090	BAR,GUIDE 20	1	C20SA4-52CL- ED	A
B2		X200-000020	CHAIN,SAW	1	A4S-52E ECHO	A
C1		X120-000021	BAR,GUIDE 20	1	C20S91-35SA- ET	A
C2		X220-000020	CHAIN,SAW	1	91PX-35E	A
D1		X101-000210	BAR,GUIDE 25	1	C25HA4-60CL- ED	A
D2		X201-000020	CHAIN,SAW	1	A4S-60E ECHO	A
E1		X121-000250	BAR,GUIDE 25	1	C25SA4-60CL- ED	A
E2		X201-000020	CHAIN,SAW	1	A4S-60E ECHO	A
F1		X121-000003	BAR,GUIDE 25	1	C25S91-40SL- ET	A
F2		X221-000100	CHAIN,SAW	1	91PX-40E	A
G1		X122-000341	BAR,GUIDE 30	1	C30S91-47ML- EC	A
G2		X222-000140	CHAIN,SAW	1	91PX-47E	A

Class : Consumable class

A:Fast moving parts B:Semi-fast moving parts C:Slow moving parts D:Order only as needed

OPTION PARTS



OPTION PARTS

Key No.	LV (+)	Parts Number	Parts Description	Qty	Standard	Class
1		C418-000150	SHIELD, SNOW	1		C
2		A127-000480	COVER,DUST	1		C

Class : Consumable class

A:Fast moving parts B:Semi-fast moving parts C:Slow moving parts D:Order only as needed

NUMERICAL PARTS INDEX

Part No	Part description	Page	Part No	Part description	Page	Part No	Part description	Page
100014-55930	SPACER, PISTON PIN	2	A219-000071	SHUTTER, AIR	4	C649-000420	HOOK	18
100015-04630	CIRCLIP, PISTON PIN	2	A226-002290	ELEMENT, AIR FILTER	8	C649-000440	HOOK	4
100142-12330	KEY, WOODRUFF	6	A226-002300	ELEMENT, AIR FILTER	8	P003-000410	VALVE CHOKE	10
123110-03930	SCREW, PUMP COVER	10	A226-002310	ELEMENT, AIR FILTER	8	P003-001300	SHAFT, THROTTLE	10
123112-15030	DIAPHRAGM, FUEL PUMP	10	A232-002030	LID,CLEANER	8	P003-001510	LEVER-FAST IDLE	10
123113-37530	SPRING, THROTTLE RTN	10	A235-000410	KNOB,CLEANER LID	8	P003-001850	DIAPHRAGM, METERING	10
123114-38830	SCREW	10	A239-000110	PIPE, INTAKE	16	P003-002180	PIN, SPRING	22
123122-39830	SPRING, METER. LEVER	10	A310-000490	SCREEN, ARRESTOR	12	P003-002380	SCREW	10
123123-03930	LEVER, METERING	10	A312-000090	PLATE, EXHUST	12	P003-004180	NEEDLE	10
123125-15030	GASKET, FUEL PUMP	10	A320-001210	COVER,MUFFLER	12	P003-004190	NEEDLE	10
123126-10631	SCREEN, INLET	10	A365-000050	CONNECTOR,CAP	4	P003-004780	SPRING	10
123127-15030	RING	10	A369-000420	STRAINER, FUEL	4	P003-005080	LEVER, THROTTLE	10
123127-15030	RING	22	A409-001300	ROTOR, MAGNETO	6	P003-005400	SCREW	10
123130-02960	SCREW	10	A425-000070	SPARKPLUG	6	P003-005420	WASHER	22
123133-04260	SPRING, IDLE ADJUST	10	A426-000010	TERMINAL,SPARKPLUG	6	P003-005430	NEEDLE-ADJ	22
123137-19830	VALVE, INLET NEEDLE	10	A427-000190	CAP,SPARK PLUG	6	P003-005750	VALVE, THROTTLE	10
123138-03930	PIN, METERING LEVER	10	A429-000200	COVER,CAP	4	P003-005980	COVER, FUEL PUMP	10
123140-27230	GASKET,M. DIAPHRAGM	10	A440-002741	SWITCH,ON OFF	16	P003-005990	SHAFT ASY-PLUNGER	22
123142-03930	COVER, M. DIAPHRAGM	10	A514-000300	PAWL	6	P003-006000	SPRING	22
123146-10631	PLUG, WELCH	10	A551-000170	PLATE, CLUTCH	18	P003-006290	SCREW, IDLE ADJUST	10
131300-56431	VENT ASSEMBLY, FUEL	4	A552-000430	HUB, CLUTCH	18	P003-006300	SHAFT-CHOKE(MOLD)	10
177236-61830	SCREW	14	A556-001710	DRUM, CLUTCH	18	P021-050120	PISTON KIT	2
436114-13930	VALVE, CHECK	4	A556-001720	DRUM, CLUTCH	18	P021-050130	CRANKCASE SET	2
437015-37330	SPRING	22	A566-000290	SPRING, CLUTCH	18	P021-050140	STRAINER, OIL ASY	2
437062-38330	CAP, OIL PUMP	22	C022-000211	AUTO-OILER ASSEMBLY	2	P021-051920	CYLINDER	2
890345-39231	LABEL,CAUTION	16	C022-000211	AUTO-OILER ASSEMBLY	22	P022-036670	SPRING,DAMPER	14
900216-04006	SCREW	12	C236-000150	COVER,OILER	2	P022-040050	DRUM	14
900800-36001	BEARING, BALL	2	C300-001140	GUARD, SPROCKET	18	P022-040060	SPRING KIT, REWIND	14
93050-30080	ROLLER	18	C304-000000	SPIKE	4	P022-040070	SPRING CASE	14
A011-001440	CRANKSHAFT,ASM	2	C305-000511	PLATE,SPROCKET GUARD	4	P022-040080	PLATE, CAM	14
A021-005020	CARBURETOR, DIAPHRAGM	8	C305-000521	PLATE,SPROCKET GUARD	18	P022-040090	ROPE, STARTER	14
A021-005020	CARBURETOR, DIAPHRAGM	10	C309-000110	TENSIONER,CHAIN	18	P022-048980	GRIP, STARTER	14
A030-000880	MUFFLER ASY	12	C310-000140	CATCHER, CHAIN	4	P022-051080	CASE,STARTER ASY	14
A033-000390	OIL,CAP	4	C320-000560	LEVER, BRAKE	18	P100-002170	GUARD, SPROCKET ASY	18
A033-000410	CAP,FUEL	4	C328-000330	BAND, BRAKE	18	P100-004180	CLUTCH SHOE SET	18
A035-000040	PUMP, FUEL	4	C334-000340	CONNECTOR, BRAKE	18	P100-004934	COVER ENGINE ASY	4
A051-003132	STARTER,RECOIL ASY	14	C345-000640	COVER,BRAKE	18	P100-006570	COIL, IGNITION	6
A056-000830	CLUTCH ASY	18	C400-001700	HANDLE, FRONT	16	P200-000390	PLUNGER SHAFT KIT	22
A101-000700	RING, PISTON	2	C410-001480	HANDLE,REAR	16	P200-000490	SPRING WASHER KIT	22
A127-000480	COVER,DUST	26	C411-000260	LID,HANDLE	16	V100-000830	GASKET,CYL	2
A127-000560	COVER,DUST	4	C418-000150	SHIELD, SNOW	26	V102-000290	GASKET,CRANKCASE	2
A172-003200	COVER,FAN	14	C450-001070	CONTROL, THROTTLE	16	V104-002290	GASKET,EXHAUST	12
A202-000290	BELLOWS, INTAKE	8	C454-000590	ROD, THROTTLE	16	V107-000180	GASKET,FUEL CAP	4
A204-000250	ELBOW, CARBURETOR	8	C460-000591	LOCKOUT, THROTTLE	16	V131-000220	GROMMET,NEEDLE	16
						V137-000140	GROMMET,FUEL	4

NUMERICAL PARTS INDEX

Part No	Part description	Page	Part No	Part description	Page
V162-000771	PLUG	8	V652-000230	GEAR,WORM	2
V186-000020	JOINT,PIPE	4	V804-000000	BOLT, TORX 4	4
V186-000510	JOINT,PIPE	4	V804-000000	BOLT, TORX 4	16
V186-000530	JOINT,PIPE	4	V804-000000	BOLT, TORX 4	18
V203-000041	BOLT,5	18	V804-000010	BOLT, TORX 4	4
V203-002250	BOLT,5	6	V804-000010	BOLT, TORX 4	12
V203-002260	BOLT,5	4	V804-000010	BOLT, TORX 4	16
V203-002270	BOLT,5	18	V804-000040	BOLT, TORX 4	8
V203-002280	BOLT,5	4	V804-000050	BOLT, TORX 4	2
V225-000262	BOLT,STUD 8	4	V804-000060	BOLT, TORX 4	6
V265-000140	NUT	6	V804-000060	BOLT, TORX 4	14
V265-000550	NUT,8	18	V804-000100	BOLT, TORX 4	2
V308-000030	WASHER,CIRCULAR 11	2	V804-000100	BOLT, TORX 4	4
V341-000201	WASHER,SQUARE	4	V805-000000	BOLT, TORX 5	16
V351-000030	COLLAR,3	8	V805-000070	BOLT, TORX 5	8
V352-000300	COLLAR,4	6	V805-000150	BOLT, TORX 5	12
V355-000840	COLLAR,8	18	V805-000240	BOLT, TORX 5	4
V355-000860	COLLAR,8	18	X100-000070	BAR,GUIDE 20	24
V356-000780	COLLAR,10	18	X101-000210	BAR,GUIDE 25	24
V358-000220	COLLAR,14	8	X120-000021	BAR,GUIDE 20	24
V376-000450	SPACER	18	X120-000090	BAR,GUIDE 20	24
V420-004980	CUSHION	16	X121-000003	BAR,GUIDE 25	24
V450-002060	SPRING,COMPRESSION	4	X121-000250	BAR,GUIDE 25	24
V450-002080	SPRING,COMPRESSION	18	X122-000341	BAR,GUIDE 30	24
V450-002300	SPRING,COMPRESSION	4	X200-000020	CHAIN,SAW	24
V450-002310	SPRING,COMPRESSION	4	X201-000020	CHAIN,SAW	24
V452-000030	SPRING,TORSION	6	X220-000020	CHAIN,SAW	24
V452-001650	SPRING,TORSION	16	X221-000100	CHAIN,SAW	24
V452-001660	SPRING,TORSION	18	X222-000140	CHAIN,SAW	24
V456-000400	HOLDER,SPRING	16	X490-000840	SCABBARD,CHAIN	20
V470-002171	PIPE	2	X490-000920	SCABBARD,CHAIN	20
V470-002181	PIPE	4	X502-000340	LABEL,ECHO	18
V470-002191	PIPE	4	X502-001110	LABEL,ECHO	14
V470-002200	PIPE	2	X503-015310	LABEL,MODEL	8
V470-002210	PIPE	4	X505-007710	LABEL,CAUTION	12
V471-003661	PIPE	4	X602-000160	PLUG WRENCH	20
V471-003821	PIPE	4	X605-000190	TOOL,L WRENCH	20
V471-004871	PIPE	4			
V490-000500	CLIP	4			
V505-000070	OIL SEAL	2			
V553-000020	BEARING,NEEDLE 8	2			
V555-000190	BEARING,NEEDLE 10	18			
V606-000020	PIN,ENG 8	2			
V651-000011	GEAR,BEVEL	18			
V651-001060	GEAR,BEVEL	18			