



PARTS CATALOG

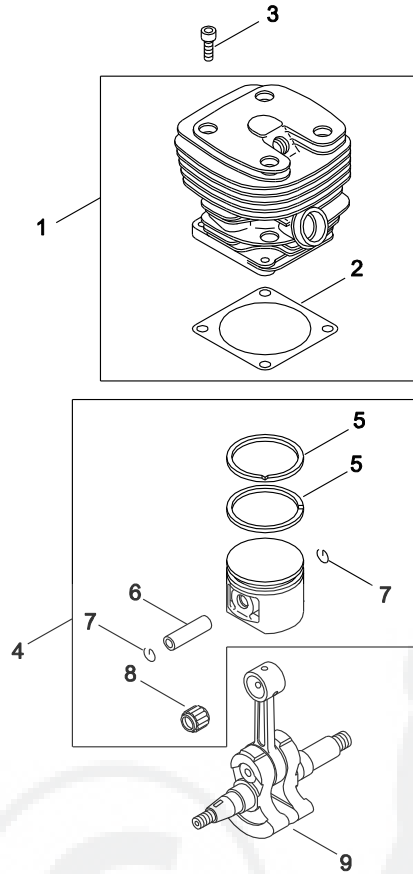
CHAIN SAW CS-8002(36)

36004001 -

CE

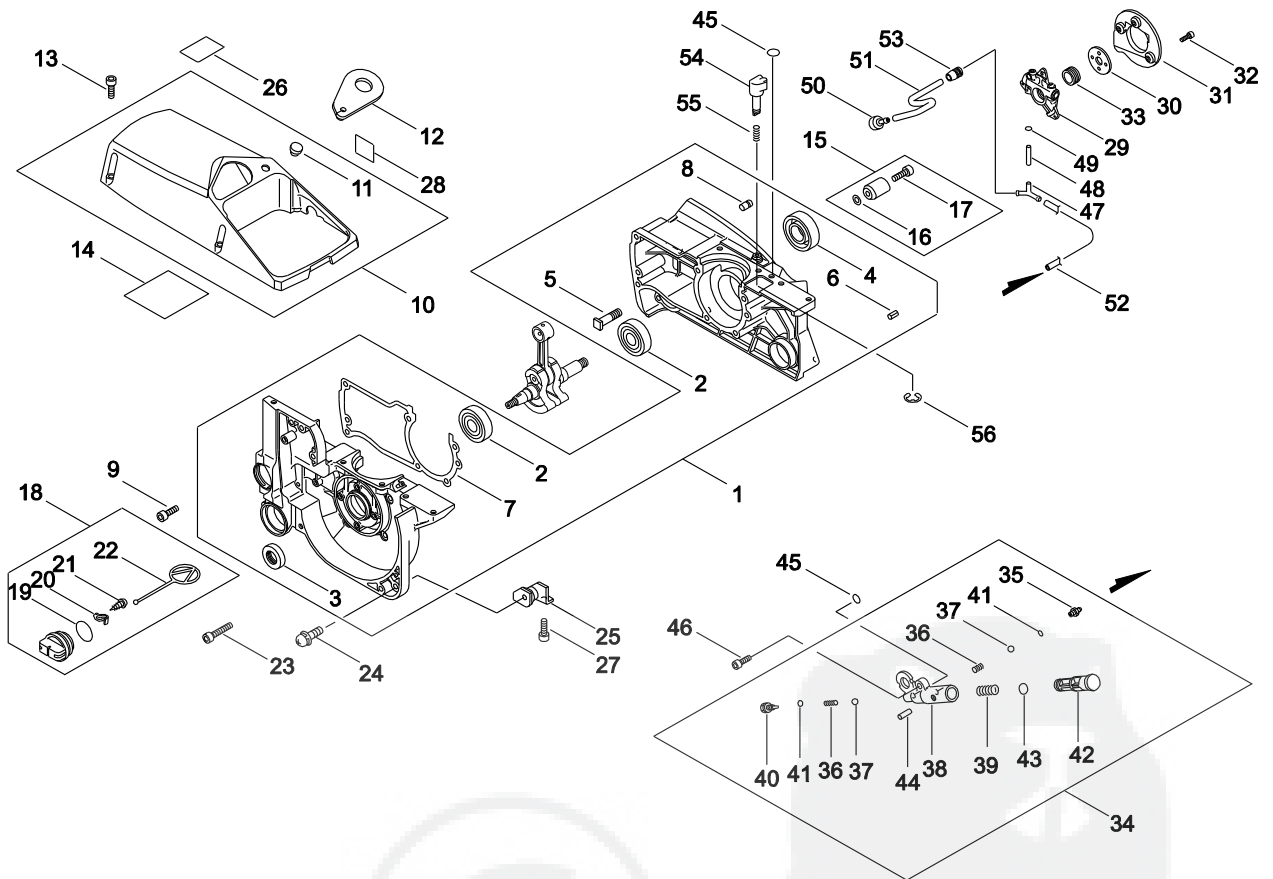
P014-000391-13L

1. CYLINDER, PISTON, CRANKSHAFT



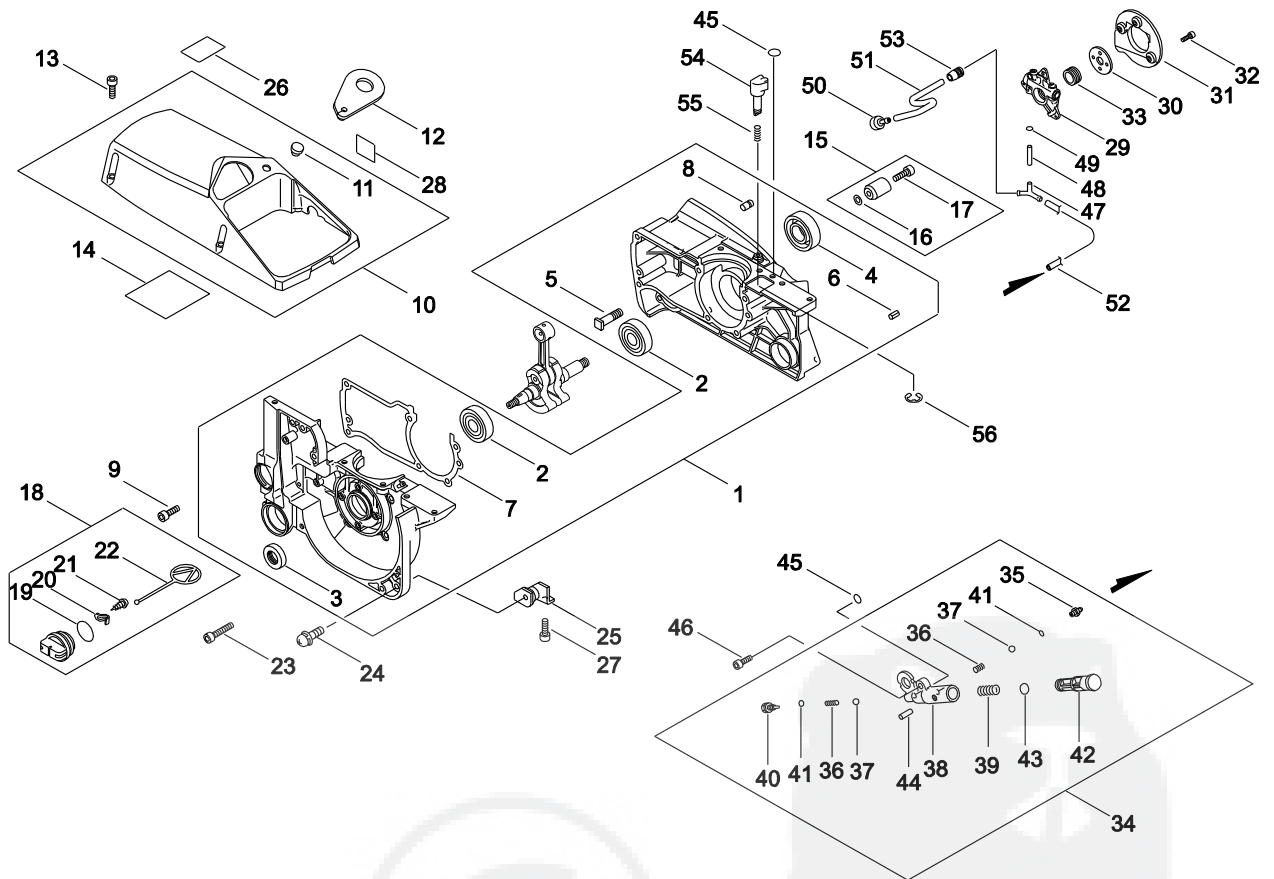
KEY	LV	PART NUMBER	Q'TY	DESCRIPTION	REMARKS	NOTE1	NOTE2
1		P021-005410	1	CYLINDER ASY			
2	+	101010-30830	1	GASKET, CYL. BASE			
3		900162-06025	4	BOLT, H.S. 6*25	6*25 W,SW		
4		P021-005421	1	PISTON KIT			
5	+	100011-30831	2	RING, PISTON			
6	+	V611-000000	1	PIN,ENG 13	8*13*38.8		
7	+	100015-30830	2	CIRCLIP, PISTON PIN			
8	+	100012-30830	1	BEARING, NEEDLE			
9		100100-30830	1	CRANKSHAFT ASSY			

2. ENGINE COVER



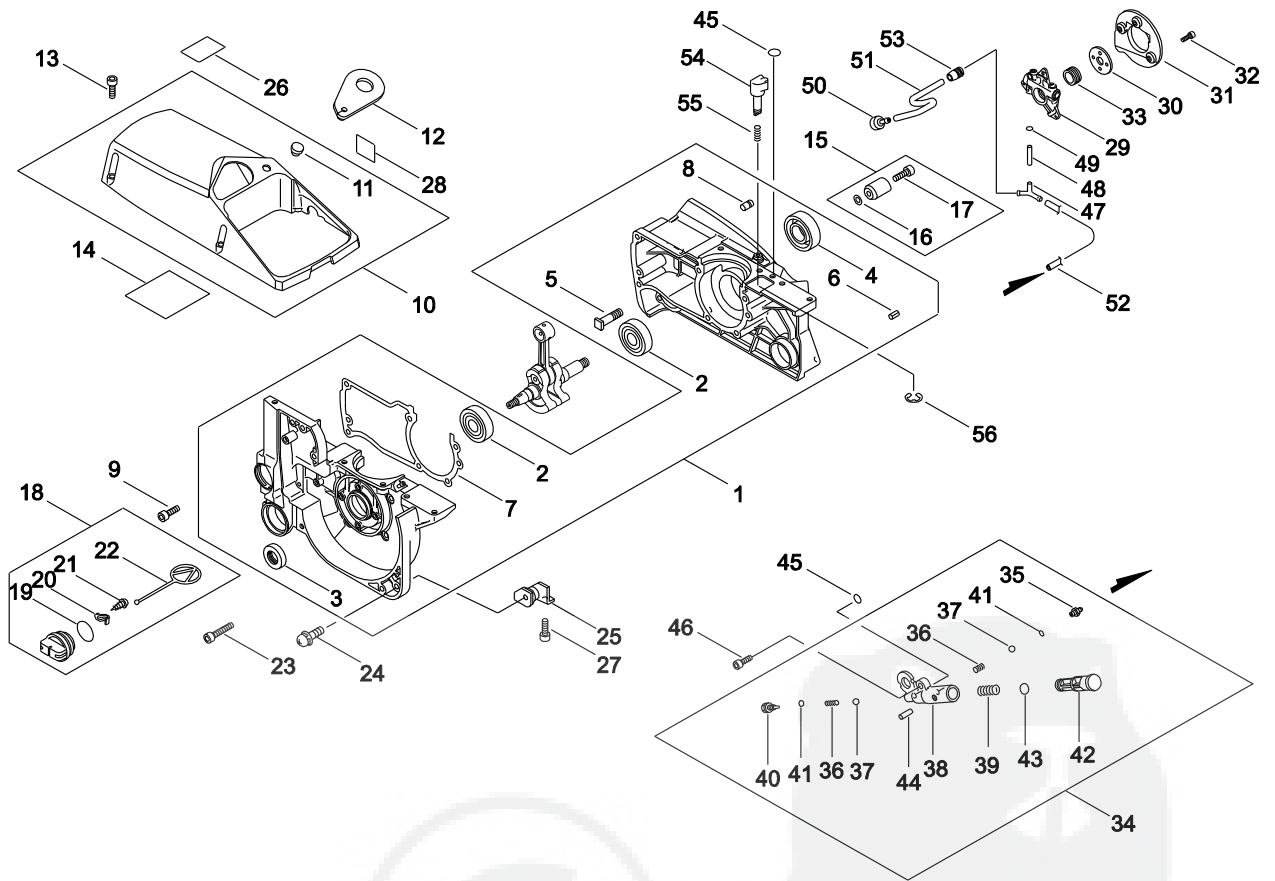
KEY	LV	PART NUMBER	Q'TY	DESCRIPTION	REMARKS	NOTE1	NOTE2
1		100204-30833	1	CRANKCASE KIT			
2	+	900810-36203	2	BEARING, BALL 6203	6203/C3		
3	+	100212-19830	1	OILSEAL	ISM 15*25*6		
4	+	100213-30830	1	OILSEAL	25Z-16 39.9 7		
5	+	433011-19831	2	STUD, GUIDE BAR			
6	+	900345-50010	1	PIN, SPRING 5*10SUS	5*10SUS		
7	+	100242-30830	1	GASKET, CRANKCASE			
8	+	436114-13930	1	VALVE, CHECK			
9		900162-05020	2	BOLT, H.S. 5*20	5*20 W,SW		
10		101501-31732	1	COVER KIT, CYLINDER			
11	+	101578-30830	1	PLUG			
12		101541-30831	1	PLATE, GUIDE			
13		900162-05020	3	BOLT, H.S. 5*20	5*20 W,SW		
14		101520-33330	1	COVER			
15		P021-042201	1	CHAIN CATCHER KIT			
16	+	900600-00005	1	WASHER 5	5		
17	+	900162-05020	1	BOLT, H.S. 5*20	5*20 W,SW		
18		436001-31730	1	CAP ASSY, OIL TANK			
19	+	900721-00025	1	O-RING 25	G-25		
20	+	131050-19830	1	RETAINER, LINK			
21	+	900246-03008	1	SCREW 3*8	3*8		
22	+	131051-19830	1	LINK	60L		
23		900162-05035	4	BOLT, H.S. 5*35	5*35 W,SW		
24		900238-05014	1	SCREW 5*14	5*14		

2. ENGINE COVER



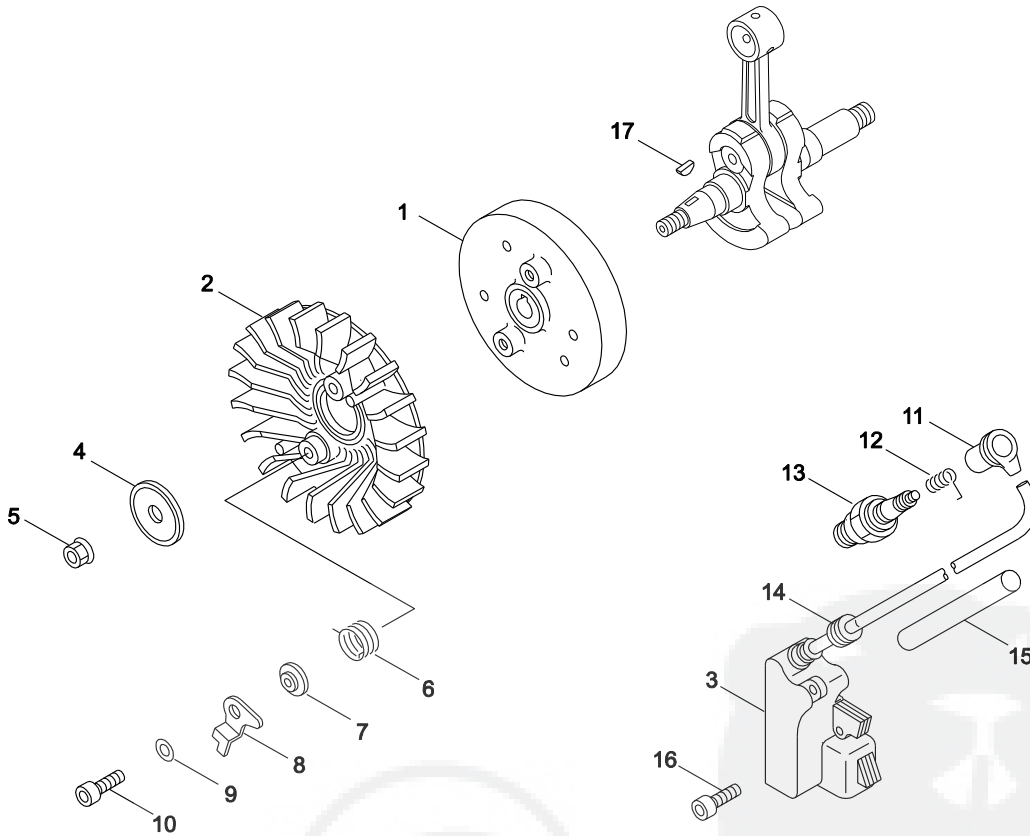
KEY	LV	PART NUMBER	Q'TY	DESCRIPTION	REMARKS	NOTE1	NOTE2
25		100921-30830	1	CUSHION			
26		890345-39231	1	LABEL,CAUTION			
27		900162-05014	1	BOLT, H.S. 5*14	5*14 W,SW		
28		890631-38131	1	LABEL, CAUTION			
29		437002-37530	1	AUTO-OILER ASSY			
30		437066-30831	1	WASHER, CIRCULAR			
31		437605-32430	1	COVER, OIL PUMP			
32		900162-04014	3	BOLT, H.S. 4*14	4*14 W,SW		
33		437063-33231	1	GEAR, WORM			
34		437100-19832	1	OILER ASY, MANUAL			
35	+	437118-19830	1	NIPPLE			
36	+	V450-000290	2	SPRING, COMPRESSION			
37	+	437012-00330	2	VALVE, BALL			
38	+	437110-19831	1	BODY, OIL PUMP			
39	+	437111-19830	1	SPRING			
40	+	437121-10130	1	ADAPTER, OIL PUMP			
41	+	437122-03430	2	O-RING			
42	+	437112-19831	1	PISTON, MANUAL			
43	+	900720-00007	1	O-RING 7	P-7		
44	+	900345-20016	1	PIN, SPRING 2*16SUS	2*16SUS		
45		900720-00003	2	O-RING P-3	P-3		
46		900162-05020	1	BOLT, H.S. 5*20	5*20 W,SW		
47		437212-32430	1	CONNECTOR, OIL PIPE			
48		437211-32430	1	PIPE			
49		V490-001230	1	CLIP			

2. ENGINE COVER



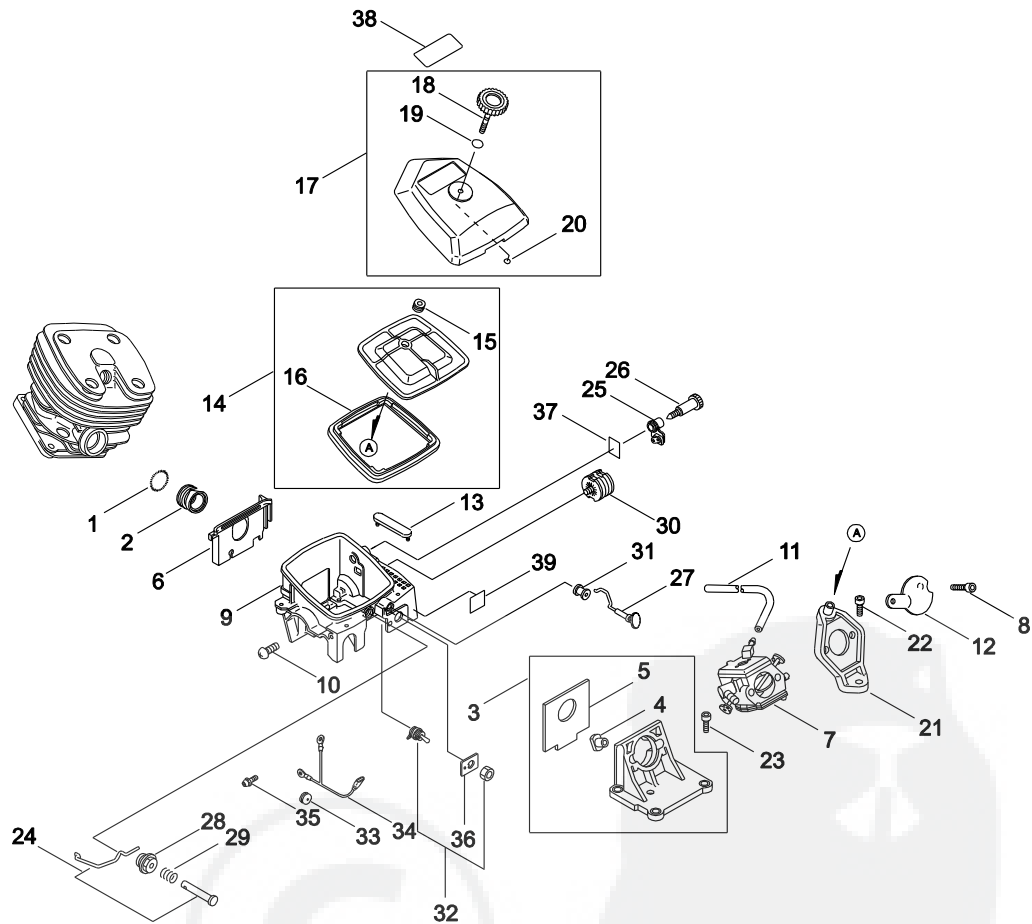
KEY	LV	PART NUMBER	Q'TY	DESCRIPTION	REMARKS	NOTE1	NOTE2
50		436205-14730	1	STRAINER, OIL			
51		437210-38330	1	PIPE, OIL			
52		437210-30830	1	PIPE, OIL	NBR 3*6*210L		
53		132115-12330	1	GROMMET			
54		437039-30830	1	KNOB			
55		437015-19830	1	SPRING			
56		900700-00003	1	E-RING 3	CE-3		

3. MAGNETO



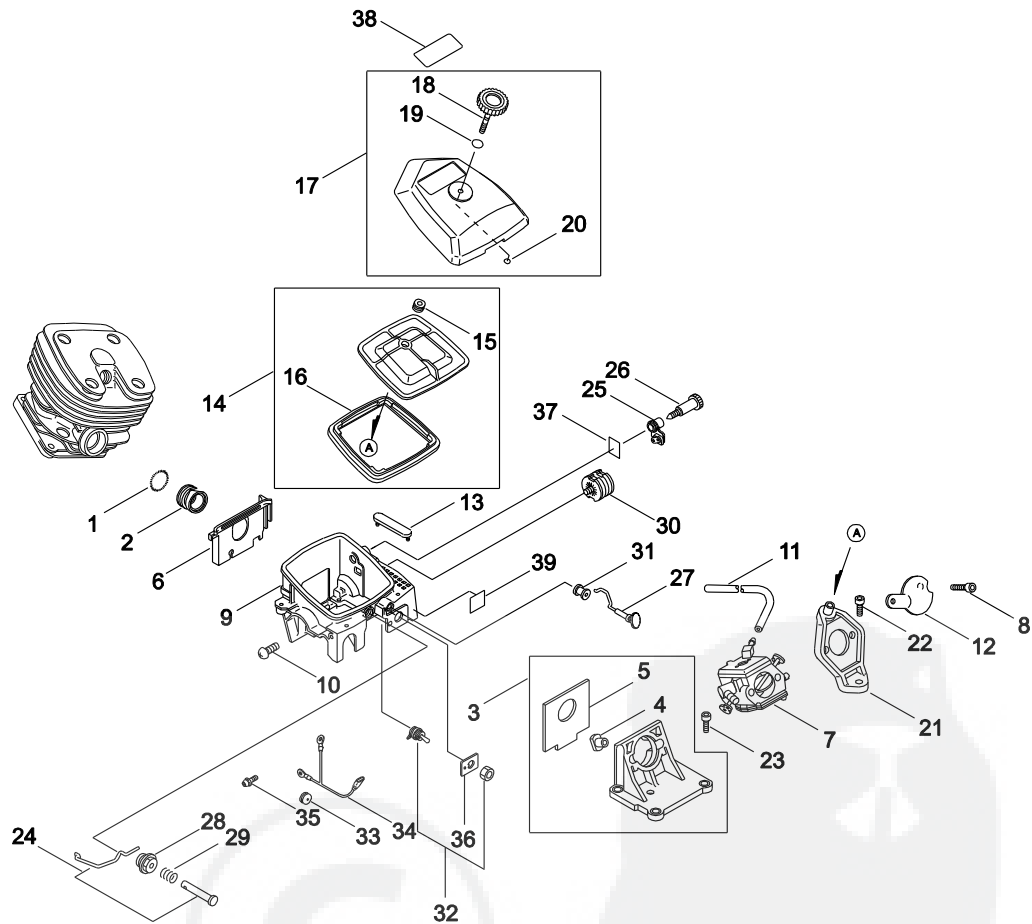
KEY	LV	PART NUMBER	Q'TY	DESCRIPTION	REMARKS	NOTE1	NOTE2
1		156800-32631	1	ROTOR, MAGNETO			
2		101521-30832	1	FAN, COOLING			
3		156601-30832	1	COIL, IGNITION			
4		100143-19830	1	WASHER	8.2*31*0.8		
5		V265-000200	1	NUT			
6		177234-30830	2	SPRING, RETURN			
7		177247-12331	2	SPACER, RATCHET			
8		177218-30830	2	PAWL, STARTER			
9		900603-00005	2	WASHER 5	5.5*12*0.8		
10		V203-000140	2	BOLT,5	5*30		
11		159012-03433	1	CAP, SPARK PLUG			
12		159011-03432	1	COIL, SPARK PLUG			
13		159010-10230	1	PLUG, SPARK (BPMR-7A	BPMR-7A		
14		152112-05730	1	BUSHING			
15		150611-30830	1	TUBE	7*8.6*45		
16		900162-04020	2	BOLT, H.S. 4*20	4*20 W,SW		
17		100142-30830	1	KEY, WOODRUFF			

4. AIR CLEANER, CARBURETOR



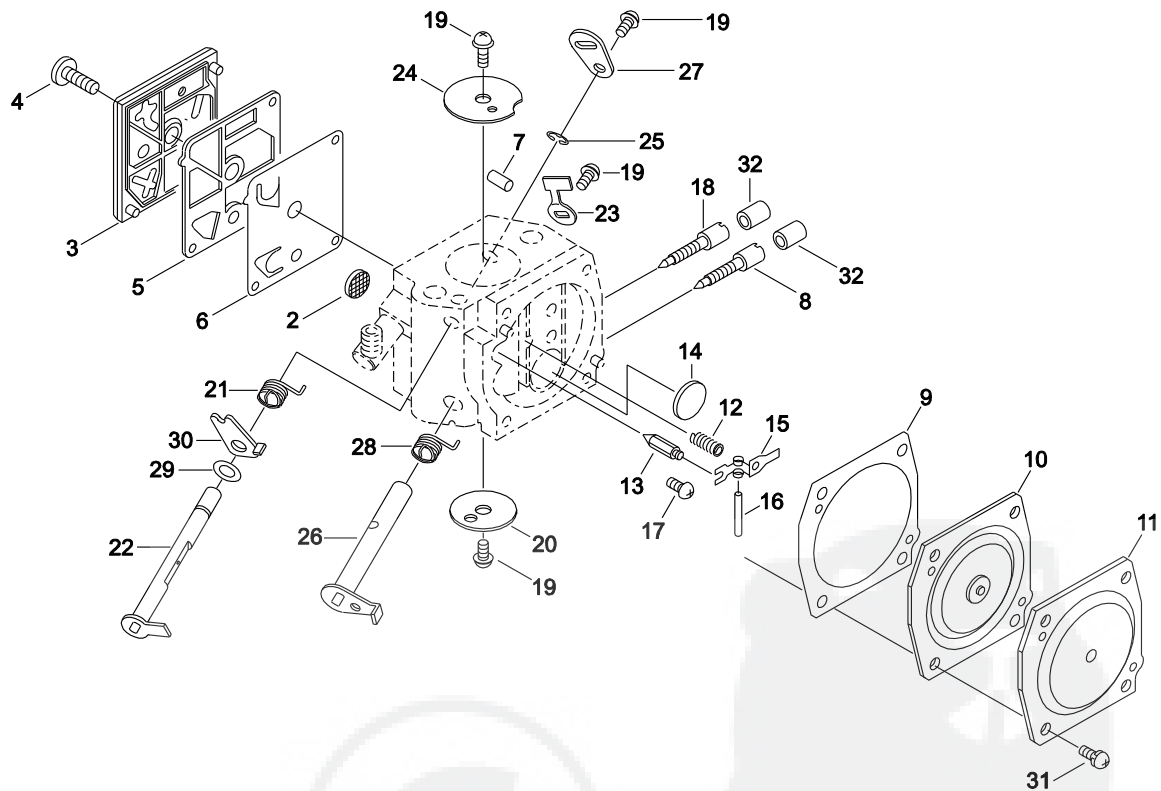
KEY	LV	PART NUMBER	QTY	DESCRIPTION	REMARKS	NOTE1	NOTE2
1		130516-30830	1	BAND			
2		130510-30830	1	ADAPTER, INTAKE			
3		130007-30832	1	INSULATOR, INTAKE			
4	+	130020-33330	2	NUT			
5	+	130012-30831	1	SEAL, DUST			
6		101529-30830	1	PLATE, GUIDE (A)			
7		A021-004240	1	CARBURETOR, DIAPHRAGM	HDA-324		
8		900162-05055	2	BOLT, H.S. 5*55	5*55 W,SW		
9		130306-30830	1	CASE, CARBURETOR(BS)			
10		900220-04008	1	SCREW 4*8	4*8		
11		130110-30830	1	PIPE, IMPULSE			
12		129011-19831	1	PLATE			
13		130339-30830	1	PLUG			
14		130303-30831	1	FILTER, AIR W/SEAL			
15	+	130356-19830	1	GROMMET			
16	+	130320-30831	1	SEAL, CLEANER			
17		P021-042220	1	COVER SET, AIR CLN			
18	+	130406-30830	1	NUT, THUMB			
19	+	900720-00010	1	O-RING P-10	P-10		
20	+	900720-00003	1	O-RING P-3	P-3		
21		130405-30831	1	SUPPORTER, FILTER			
22		900162-05020	1	BOLT, H.S. 5*20	5*20 W,SW		
23		900162-05025	4	BOLT, H.S. 5*25	5*25 W,SW		
24		P021-046010	1	ROD, THROTTLE KIT			
25		129010-38830	1	GROMMET, NEEDLE			

4. AIR CLEANER, CARBURETOR



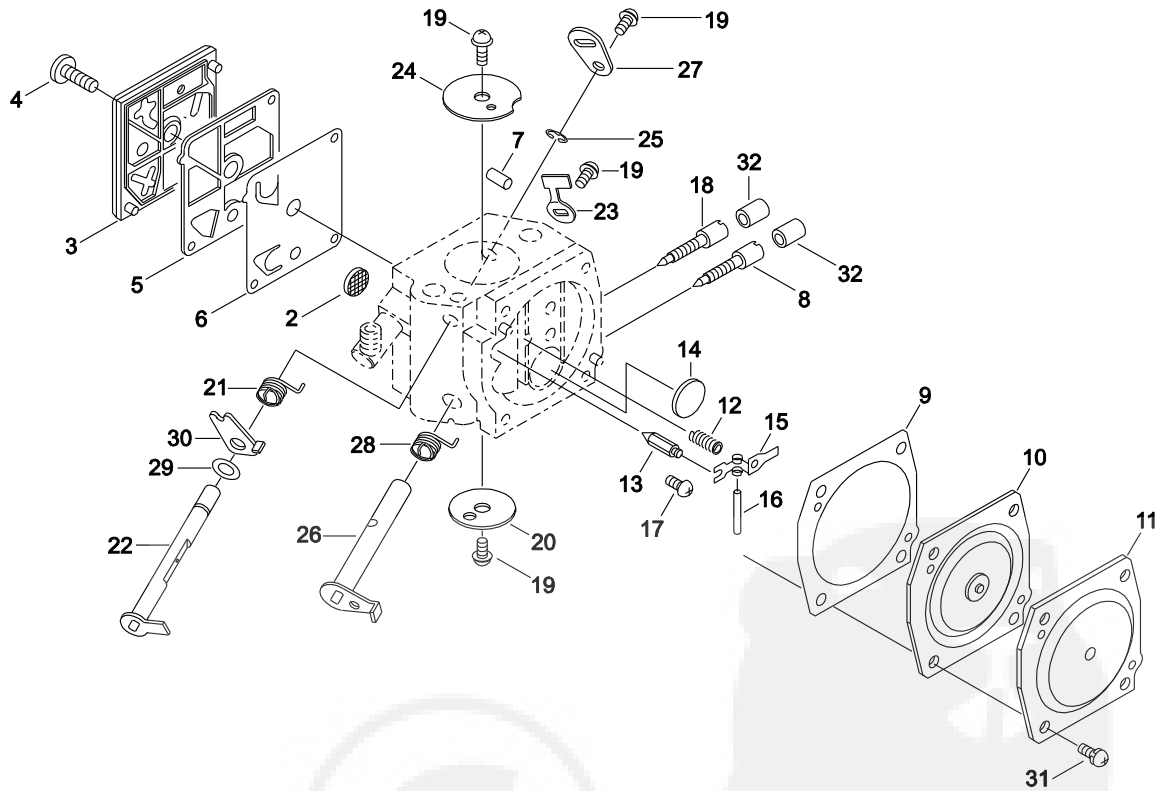
KEY	LV	PART NUMBER	Q'TY	DESCRIPTION	REMARKS	NOTE1	NOTE2
26		129013-30831	1	SCREW, IDLE SPEED			
27		A241-000320	1	KNOB, CHOKE	FAST IDEL		
28		178114-19830	1	HOLDER, THR. LEVER			
29		178078-19830	1	SPRING			
30		100905-19830	1	CUSHION			
31		178810-11231	1	GROMMET			
32		163400-30830	1	SWITCH, IGNITION			
33		156114-04920	2	GROMMET			
34		V485-002720	1	LEAD			
35		900242-04008	2	SCREW	4*8		
36		890157-19830	1	LABEL, SWITCH			
37		890169-60831	1	LABEL, ADJUSTING			
38		X503-009160	1	LABEL,MODEL	CS-8002 EU		
39		890157-39131	1	LABEL, SWITCH			

5. CARBURETOR



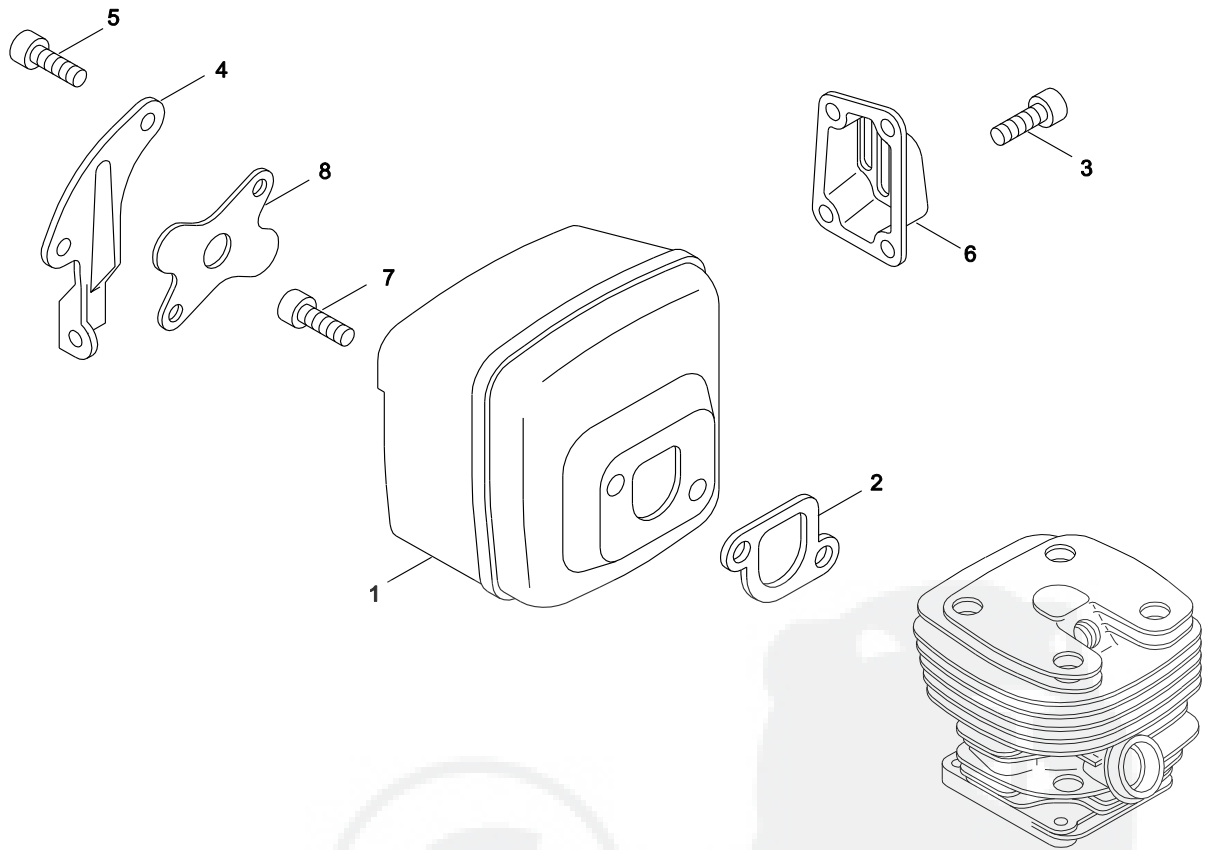
KEY	LV	PART NUMBER	Q'TY	DESCRIPTION	REMARKS	NOTE1	NOTE2
		A021-004240	1	CARBURETOR,DIAPHRAGM	HDA-324		
2	+	123126-10631	1	SCREEN, INLET			
3	+	123124-19830	1	COVER, FUEL PUMP			
4	+	123110-16130	1	SCREW, PUMP COVER			
5	+	123125-12330	1	GASKET, FUEL PUMP			
6	+	123112-12330	1	DIAPHRAGM, FUEL PUMP			
7	+	123178-15030	1	PLUG, FRICTION			
8	+	123118-02261	1	NEEDLE			
9	+	123140-16131	1	GASKET, M. DIAPHRAGM			
10	+	P003-004920	1	DIAPHRAGM ASSY	95-649		
11	+	123142-17330	1	COVER, M. DIAPHRAGM			
12	+	123122-32630	1	SPRING, METER. LEVER			
13	+	123137-19830	1	VALVE, INLET NEEDLE			
14	+	123146-10631	1	PLUG, WELCH			
15	+	123123-18330	1	LEVER, METERING			
16	+	123138-03930	1	PIN, METERING LEVER			
17	+	123139-03930	1	SCREW, M. LEVER PIN			
18	+	123120-32631	1	NEEDLE, HIGH SPEED			
19	+	123114-38830	4	SCREW			
20	+	123116-16130	1	VALVE, THROTTLE			
21	+	123113-16130	1	SPRING, THRT. RETURN			
22	+	P003-005380	1	SHAFT ASSY, THROTTLE			
23	+	123156-30830	1	STOP, THROTTLE			
24	+	123132-17330	1	VALVE, CHOKE			
25	+	123127-15030	1	RING			

5. CARBURETOR



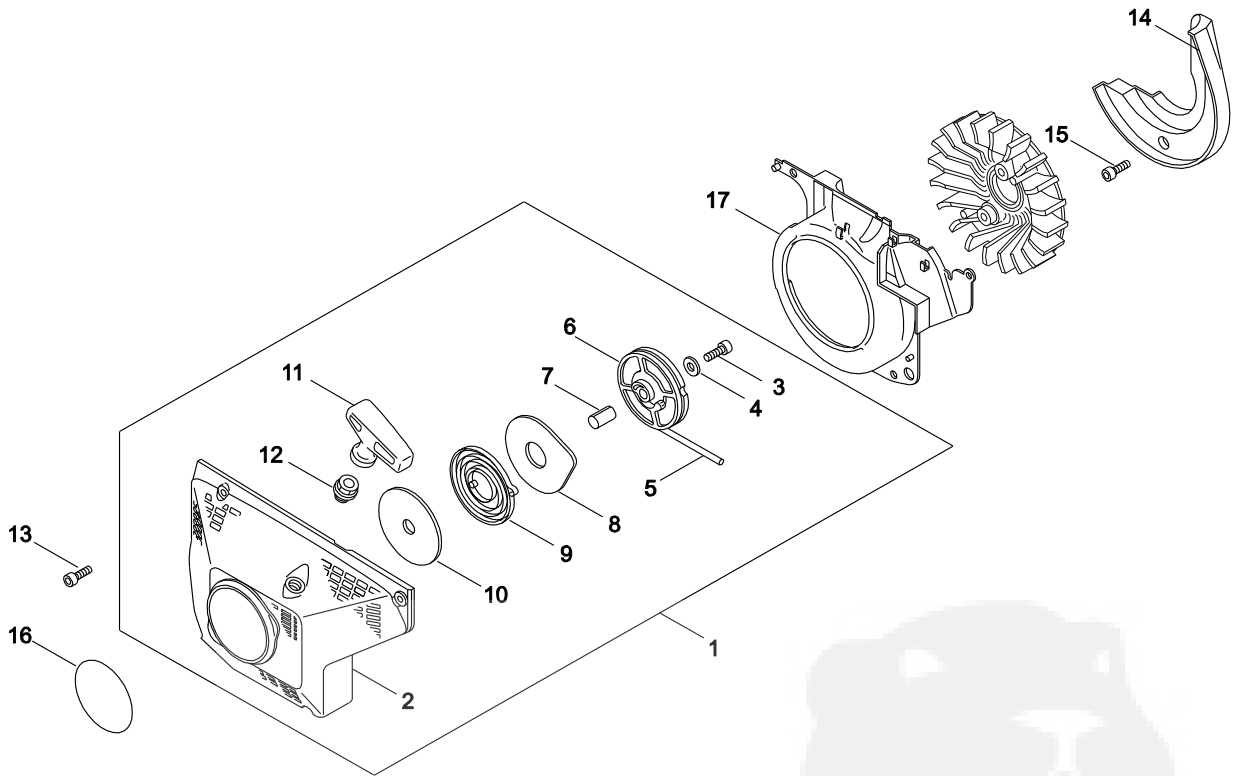
KEY	LV	PART NUMBER	Q'TY	DESCRIPTION	REMARKS	NOTE1	NOTE2
26	+	P003-005390	1	SHAFT ASY, CHOKE			
27	+	P003-002300	1	LEVER, CHOKE			
28	+	P003-000610	1	SPRING			
29	+	123149-26030	1	WASHER			
30	+	P003-000620	1	LEVER-FAST IDLE			
31	+	123130-02960	4	SCREW			
32	+	P003-000010	2	LIMITER CAP			

6. MUFFLER



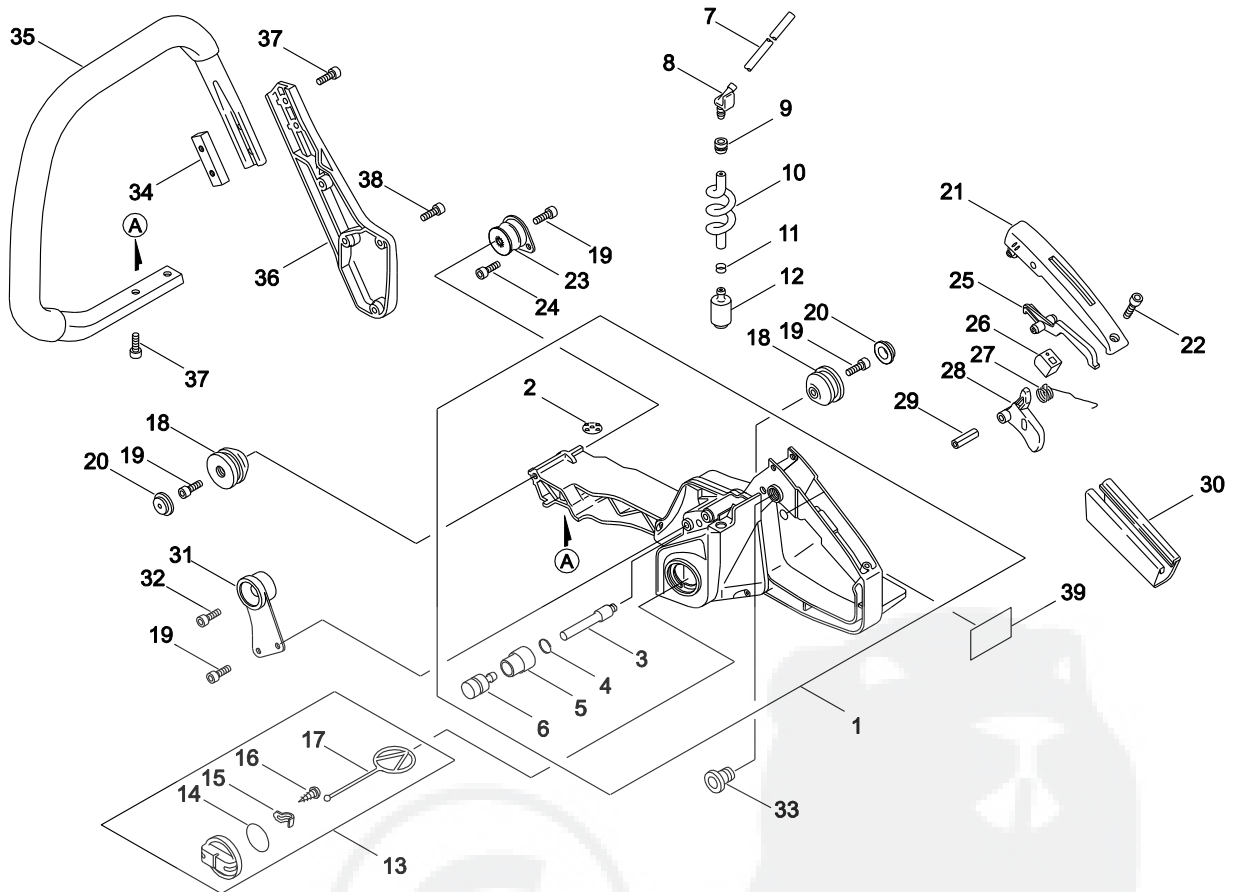
KEY	LV	PART NUMBER	Q'TY	DESCRIPTION	REMARKS	NOTE1	NOTE2
1		145610-30830	1	MUFFLER			
2		145510-30830	1	GASKET, MUFFLER			
3		900162-04010	4	BOLT, H.S. 4*10	4*10 W,SW		
4		145711-30830	1	BRACKET, MUFFLER			
5		900162-05010	2	BOLT, H.S. 5*10	5*10 W,SW		
6		145861-30830	1	LID, MUFFLER			
7		900162-06020	2	BOLT, H.S. 6*20	6*20 W.SW		
8		145813-31730	1	COVER, MUFFLER			

7. RECOIL STARTER



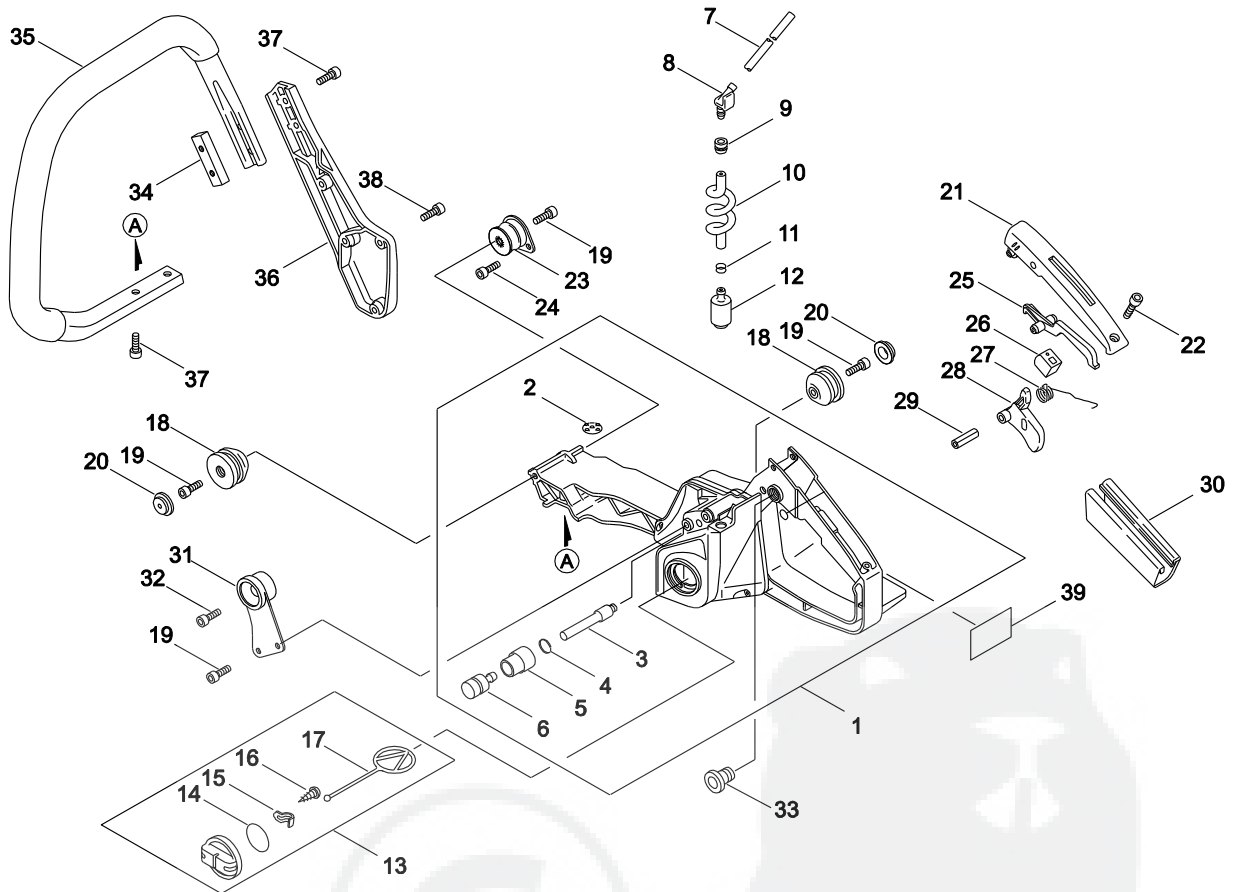
KEY	LV	PART NUMBER	Q'TY	DESCRIPTION	REMARKS	NOTE1	NOTE2
1		P021-042240	1	STARTER ASSY			
2	+	101507-30831	1	COVER, FAN (BS)			
3	+	900162-05014	1	BOLT, H.S. 5*14	5*14 W,SW		
4	+	177214-02830	1	WASHER	5.2*16*1.0T		
5	+	177226-07060	1	ROPE, STARTER	4.0*950		
6	+	177206-12330	1	DRUM, STARTER			
7	+	177216-12330	1	COLLAR			
8	+	177242-30830	1	PLATE, STARTER			
9	+	177220-02834	1	SPRING, REWIND			
10	+	177221-02830	1	PLATE, STARTER			
11	+	177228-30830	1	GRIP, STARTER			
12	+	177227-10630	1	GUIDE, ROPE			
13		900162-05020	4	BOLT, H.S. 5*20	5*20 W,SW		
14		101534-30830	1	PLATE, GUIDE			
15		900162-05020	2	BOLT, H.S. 5*20	5*20 W,SW		
16		X502-000900	1	LABEL,ECHO			
17		101535-30830	1	COVER, FAN			

8. HANDLE



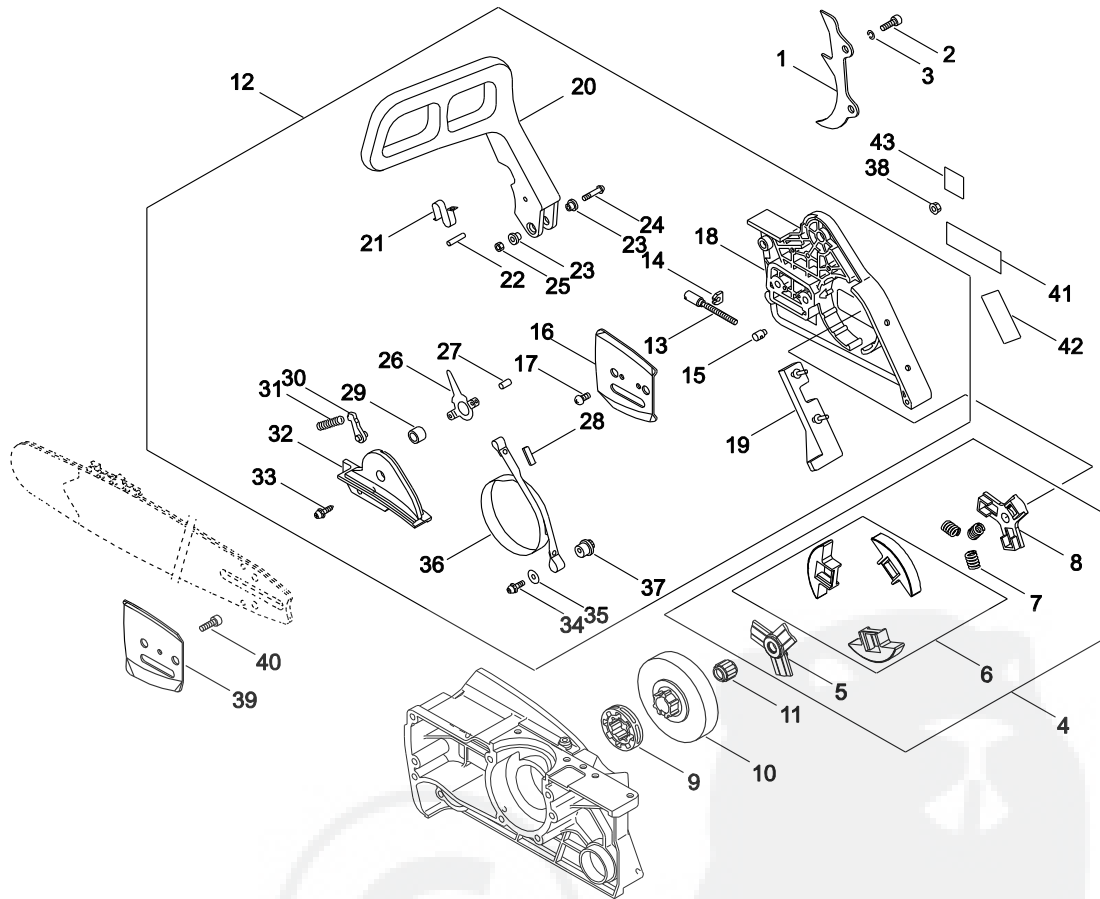
KEY	LV	PART NUMBER	Q'TY	DESCRIPTION	REMARKS	NOTE1	NOTE2
1		351103-30833	1	HANDLE, REAR			
2	+	100252-30830	1	CUSHION			
3	+	437210-31730	1	PIPE 3* 5* 55			
4	+	130111-00530	1	CLIP	5.5		
5	+	131328-40630	1	COVER, VENT			
6	+	131300-56431	1	VENT ASSEMBLY, FUEL			
7		132012-02960	1	PIPE, FUEL	3*6*120L		
8		132011-33031	1	CONNECTOR, FUEL PIPE			
9		132115-01461	1	GROMMET			
10		132010-30830	1	PIPE			
11		V490-001230	1	CLIP			
12		131205-19832	1	STRAINER, FUEL			
13		P021-037510	1	CAP, FUER ASSY			
14	+	V581-000600	1	RING, O	P29		
15	+	131050-19830	1	RETAINER, LINK			
16	+	900246-03008	1	SCREW 3*8	3*8		
17	+	131051-19830	1	LINK	60L		
18		100910-30830	2	CUSHION			
19		900162-05014	5	BOLT, H.S. 5*14	5*14 W,SW		
20		100918-19830	2	CAP, CUSHION			
21		351155-30131	1	COVER, HANDLE			
22		900162-04014	1	BOLT, H.S. 4*14	4*14 W,SW		
23		100922-30830	1	CUSHION			
24		900162-04010	2	BOLT, H.S. 4*10	4*10 W,SW		
25		178090-30130	1	LOCKOUT, T. CONTROL			

8. HANDLE



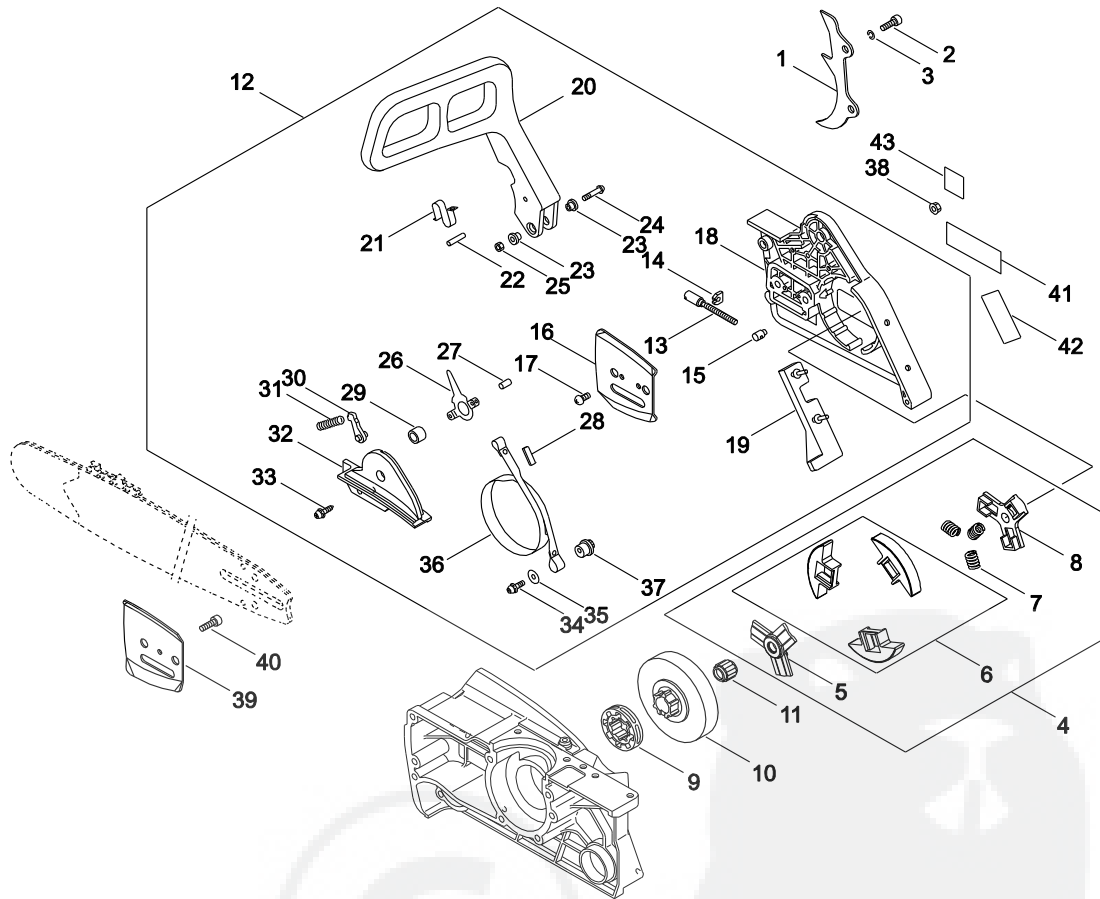
KEY	LV	PART NUMBER	Q'TY	DESCRIPTION	REMARKS	NOTE1	NOTE2
26		178073-32430	1	CUSHION, THROTTLE			
27		178043-19830	1	SPRING, THR. RETURN			
28		178010-19830	1	CONTROL, THROTTLE			
29		900342-50025	1	PIN, SPRING 5*25	5*25		
30		351111-19830	1	GRIP, HANDLE			
31		100917-30830	1	CUSHION			
32		900162-05020	1	BOLT, H.S. 5*20	5*20 W,SW		
33		V162-000040	1	PLUG			
34		305114-06060	1	BRACKET			
35		351606-60831	1	HANDLE, FRONT			
36		351614-60830	1	BRACKET, F. HNDL. BS			
37		900162-05020	4	BOLT, H.S. 5*20	5*20 W,SW		
38		900162-05020	4	BOLT, H.S. 5*20	5*20 W,SW		

9. CHAIN BRAKE



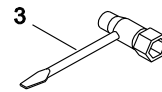
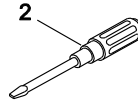
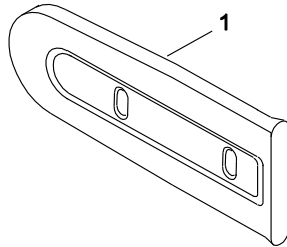
KEY	LV	PART NUMBER	Q'TY	DESCRIPTION	REMARKS	NOTE1	NOTE2
1		880210-30830	1	BUMPER, SPIKED			
2		900105-06020	2	BOLT, H.S. 6*20	6*20		
3		900605-00006	2	WASHER, SPRING 6	6		
4		A056-000730	1	CLUTCH ASY			
5	+	A552-000360	1	HUB, CLUTCH			
6	+	P021-042250	1	SHOE, CLUTCH			
7	+	A566-000210	3	CLUTCH SPRING			
8	+	A552-000370	1	HUB, CLUTCH			
9		175033-14731	1	SPROCKET, RIM 68210S			
10		175105-30831	1	DRUM, CLUTCH			
11		175012-30831	1	BEARING, NEEDLE			
12		P021-050690	1	BRAKE,ASM CHAIN			
13	+	433016-11031	1	SCREW, TENSIONER			
14	+	433028-11030	1	CLIP			
15	+	433014-02830	1	TENSIONER			
16	+	433012-30830	1	PLATE, GUIDE (OUTER)			
17	+	900241-03006	2	SCREW 3*6	3*6		
18	+	433010-60830	1	GUARD, SPROCKET			
19	+	433025-60830	1	PAD, GUARD			
20	+	433105-60830	1	LEVER, BRAKE			
21	+	433114-38331	1	SPRING			
22	+	900330-35260	1	PIN 3.5*26	3.5*26		
23	+	433167-39130	2	SPACER			
24	+	91335-05035	1	SCREW			
25	+	900562-50005	1	LOCKNUT 5	5		

9. CHAIN BRAKE



KEY	LV	PART NUMBER	Q'TY	DESCRIPTION	REMARKS	NOTE1	NOTE2
26	+	433208-35431	1	LEVER, BRAKE			
27	+	900330-40088	1	ROLLER 4*8.8	4*8.8		
28	+	433312-32630	1	COVER, SEAL			
29	+	433115-38330	1	WASHER 5.2*12*14	5.2*12*14		
30	+	433209-35430	1	STOPPER, BRAKE			
31	+	433122-38130	1	SPRING, BRAKE			
32	+	433310-60830	1	COVER, BRAKE			
33	+	900238-04010	2	SCREW 4*10	4*10		
34	+	900238-05025	1	SCREW 5*25	5*25		
35	+	351249-06960	1	WASHER			
36	+	433123-60830	1	BAND, BRAKE			
37	+	433142-60830	1	ADJUSTER, BRAKE			
38		V265-000200	2	NUT			
39		433013-30830	1	PLATE, GUIDE (INNER)			
40		900241-04008	1	SCREW 4*8	4*8		
41		X502-000560	1	LABEL, ECHO			
42		890155-30131	1	LABEL, CAUTION			
43		890316-39131	1	LABEL, CAUTION			

10. ACCESSORIES



KEY	LV	PART NUMBER	Q'TY	DESCRIPTION	REMARKS	NOTE1	NOTE2
1		X490-000481	1	SCABBARD,CHAIN			
2		895812-03930	1	DRIVER, SCREW 50			
3		X602-000080	1	TOOL,WRENCH	13*19 L180		

Index

Patrs Number	Key No.	Patrs Number	Key No.	Patrs Number	Key No.
100011-30831	1 - 5	123156-30830	5 - 23	177214-02830	7 - 4
100012-30830	1 - 8	123178-15030	5 - 7	177216-12330	7 - 7
100015-30830	1 - 7	129010-38830	4 - 25	177218-30830	3 - 8
100100-30830	1 - 9	129011-19831	4 - 12	177220-02834	7 - 9
100142-30830	3 - 17	129013-30831	4 - 26	177221-02830	7 - 10
100143-19830	3 - 4	130007-30832	4 - 3	177226-07060	7 - 5
100204-30833	2 - 1	130012-30831	4 - 5	177227-10630	7 - 12
100212-19830	2 - 3	130020-33330	4 - 4	177228-30830	7 - 11
100213-30830	2 - 4	130110-30830	4 - 11	177234-30830	3 - 6
100242-30830	2 - 7	130111-00530	8 - 4	177242-30830	7 - 8
100252-30830	8 - 2	130303-30831	4 - 14	177247-12331	3 - 7
100905-19830	4 - 30	130306-30830	4 - 9	178010-19830	8 - 28
100910-30830	8 - 18	130320-30831	4 - 16	178043-19830	8 - 27
100917-30830	8 - 31	130339-30830	4 - 13	178073-32430	8 - 26
100918-19830	8 - 20	130356-19830	4 - 15	178078-19830	4 - 29
100921-30830	2 - 25	130405-30831	4 - 21	178090-30130	8 - 25
100922-30830	8 - 23	130406-30830	4 - 18	178114-19830	4 - 28
101010-30830	1 - 2	130510-30830	4 - 2	178810-11231	4 - 31
101501-31732	2 - 10	130516-30830	4 - 1	305114-06060	8 - 34
101507-30831	7 - 2	131050-19830	2 - 20	351103-30833	8 - 1
101520-33330	2 - 14	131050-19830	8 - 15	351111-19830	8 - 30
101521-30832	3 - 2	131051-19830	2 - 22	351155-30131	8 - 21
101529-30830	4 - 6	131051-19830	8 - 17	351249-06960	9 - 35
101534-30830	7 - 14	131205-19832	8 - 12	351606-60831	8 - 35
101535-30830	7 - 17	131300-56431	8 - 6	351614-60830	8 - 36
101541-30831	2 - 12	131328-40630	8 - 5	433010-60830	9 - 18
101578-30830	2 - 11	132010-30830	8 - 10	433011-19831	2 - 5
123110-16130	5 - 4	132011-33031	8 - 8	433012-30830	9 - 16
123112-12330	5 - 6	132012-02960	8 - 7	433013-30830	9 - 39
123113-16130	5 - 21	132115-01461	8 - 9	433014-02830	9 - 15
123114-38830	5 - 19	132115-12330	2 - 53	433016-11031	9 - 13
123116-16130	5 - 20	145510-30830	6 - 2	433025-60830	9 - 19
123118-02261	5 - 8	145610-30830	6 - 1	433028-11030	9 - 14
123120-32631	5 - 18	145711-30830	6 - 4	433105-60830	9 - 20
123122-32630	5 - 12	145813-31730	6 - 8	433114-38331	9 - 21
123123-18330	5 - 15	145861-30830	6 - 6	433115-38330	9 - 29
123124-19830	5 - 3	150611-30830	3 - 15	433122-38130	9 - 31
123125-12330	5 - 5	152112-05730	3 - 14	433123-60830	9 - 36
123126-10631	5 - 2	156114-04920	4 - 33	433142-60830	9 - 37
123127-15030	5 - 25	156601-30832	3 - 3	433167-39130	9 - 23
123130-02960	5 - 31	156800-32631	3 - 1	433208-35431	9 - 26
123132-17330	5 - 24	159010-10230	3 - 13	433209-35430	9 - 30
123137-19830	5 - 13	159011-03432	3 - 12	433310-60830	9 - 32
123138-03930	5 - 16	159012-03433	3 - 11	433312-32630	9 - 28
123139-03930	5 - 17	163400-30830	4 - 32	436001-31730	2 - 18
123140-16131	5 - 9	175012-30831	9 - 11	436114-13930	2 - 8
123142-17330	5 - 11	175033-14731	9 - 9	436205-14730	2 - 50
123146-10631	5 - 14	175105-30831	9 - 10	437002-37530	2 - 29
123149-26030	5 - 29	177206-12330	7 - 6	437012-00330	2 - 37

Index

Patrs Number	Key No.	Patrs Number	Key No.	Patrs Number	Key No.
437015-19830	2 - 55	900162-06020	6 - 7	P021-046010	4 - 24
437039-30830	2 - 54	900162-06025	1 - 3	P021-050690	9 - 12
437063-33231	2 - 33	900220-04008	4 - 10	V162-000040	8 - 33
437066-30831	2 - 30	900238-04010	9 - 33	V203-000140	3 - 10
437100-19832	2 - 34	900238-05014	2 - 24	V265-000200	3 - 5
437110-19831	2 - 38	900238-05025	9 - 34	V265-000200	9 - 38
437111-19830	2 - 39	900241-03006	9 - 17	V450-000290	2 - 36
437112-19831	2 - 42	900241-04008	9 - 40	V485-002720	4 - 34
437118-19830	2 - 35	900242-04008	4 - 35	V490-001230	2 - 49
437121-10130	2 - 40	900246-03008	2 - 21	V490-001230	8 - 11
437122-03430	2 - 41	900246-03008	8 - 16	V581-000600	8 - 14
437210-30830	2 - 52	900330-35260	9 - 22	V611-000000	1 - 6
437210-31730	8 - 3	900330-40088	9 - 27	X490-000481	10 - 1
437210-38330	2 - 51	900342-50025	8 - 29	X502-000560	9 - 41
437211-32430	2 - 48	900345-20016	2 - 44	X502-000900	7 - 16
437212-32430	2 - 47	900345-50010	2 - 6	X503-009160	4 - 38
437605-32430	2 - 31	900562-50005	9 - 25	X602-000080	10 - 3
880210-30830	9 - 1	900600-00005	2 - 16		
890155-30131	9 - 42	900603-00005	3 - 9		
890157-19830	4 - 36	900605-00006	9 - 3		
890157-39131	4 - 39	900700-00003	2 - 56		
890169-60831	4 - 37	900720-00003	2 - 45		
890316-39131	9 - 43	900720-00003	4 - 20		
890345-39231	2 - 26	900720-00007	2 - 43		
890631-38131	2 - 28	900720-00010	4 - 19		
895812-03930	10 - 2	900721-00025	2 - 19		
900105-06020	9 - 2	900810-36203	2 - 2		
900162-04010	6 - 3	91335-05035	9 - 24		
900162-04010	8 - 24	A021-004240	4 - 7		
900162-04014	2 - 32	A021-004240	5 -		
900162-04014	8 - 22	A056-000730	9 - 4		
900162-04020	3 - 16	A241-000320	4 - 27		
900162-05010	6 - 5	A552-000360	9 - 5		
900162-05014	2 - 27	A552-000370	9 - 8		
900162-05014	7 - 3	A566-000210	9 - 7		
900162-05014	8 - 19	P003-000010	5 - 32		
900162-05020	2 - 9	P003-000610	5 - 28		
900162-05020	2 - 13	P003-000620	5 - 30		
900162-05020	2 - 17	P003-002300	5 - 27		
900162-05020	2 - 46	P003-004920	5 - 10		
900162-05020	4 - 22	P003-005380	5 - 22		
900162-05020	7 - 13	P003-005390	5 - 26		
900162-05020	7 - 15	P021-005410	1 - 1		
900162-05020	8 - 32	P021-005421	1 - 4		
900162-05020	8 - 37	P021-037510	8 - 13		
900162-05020	8 - 38	P021-042201	2 - 15		
900162-05025	4 - 23	P021-042220	4 - 17		
900162-05035	2 - 23	P021-042240	7 - 1		
900162-05055	4 - 8	P021-042250	9 - 6		

YAMABIKO CORPORATION

7-2 SUEHIROCHO 1-CHOME, OHME, TOKYO 198-8760, JAPAN
PHONE: 81-428-32-6118. FAX: 81-428-32-6145.



ECHO[®]

-13L
No. 65-023