

# CS-362TES

Serial number: 38000001-38999999

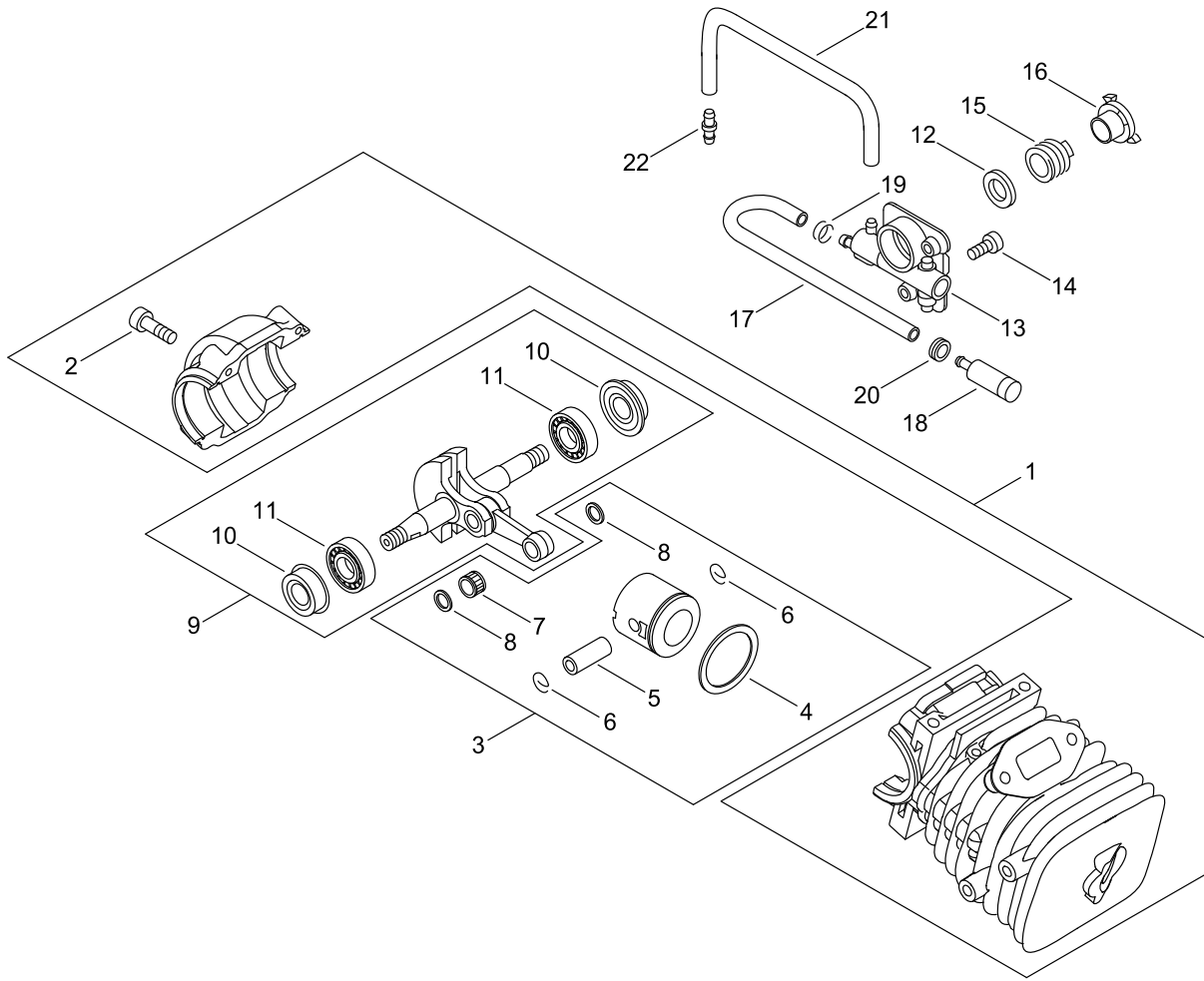
Last update date: 03/26/2020

## TABLE OF CONTENTS

---

CYLINDER, PISTON, CRANKSHAFT.....	1
ENGINE COVER.....	3
MAGNETO.....	5
AIR CLEANER, CARBURETOR.....	7
CARBURETOR.....	9
MUFFLER.....	11
RECOIL STARTER.....	13
HANDLE.....	15
CHAIN BRAKE.....	17
ACCESSORIES.....	19
OILER.....	21
GUIDE BAR, CHAIN.....	23

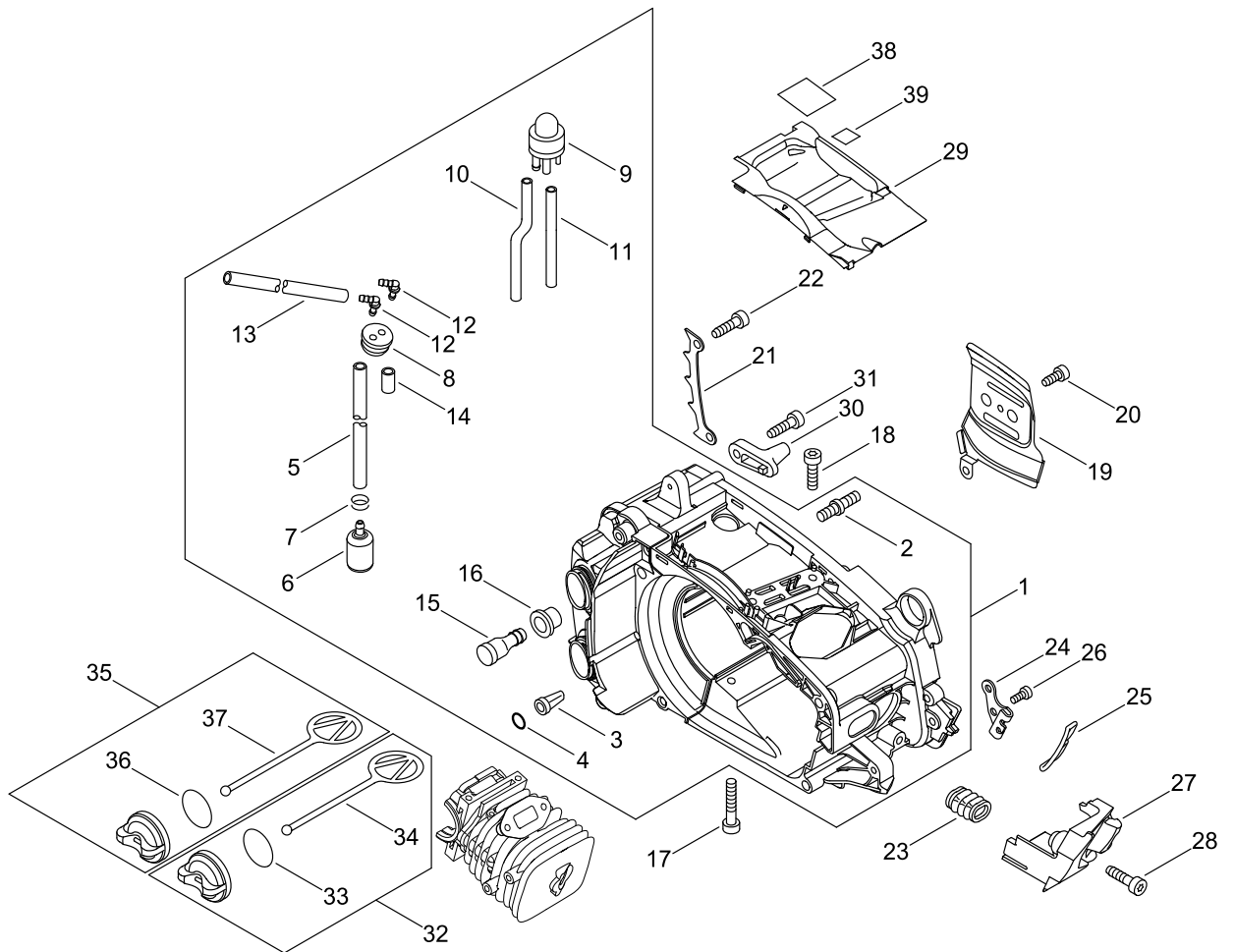
# CYLINDER, PISTON, CRANKSHAFT



## CYLINDER, PISTON, CRANKSHAFT

Key No.	LV (+)	Part No	Description	Qty	Standard
1		P100-007010	CRANKCASE SET	1	
2	+	V805-000210	BOLT, TORX 5	4	TB-5*20 12.9
3		P021-045440	PISTON KIT	1	
4	+	A101-000670	RING, PISTON	1	39*1.2*1.7
5	+	100013-15330	PIN, PISTON	1	5.5*8*29
6	+	100015-04630	CIRCLIP, PISTON PIN	2	
7	+	V553-000130	BEARING, NEEDLE 8	1	
8	+	100014-60930	SPACER, PISTON PIN	2	
9		P021-039160	CRANKSHAFT ASY	1	
10	+	V505-000011	SEAL, OIL 12	2	12*32*5.5
11	+	94035-36201	BEARING, BALL	2	6201
12		V308-000030	WASHER, CIRCULAR 11	1	10.5*17.4*1.8
13		C022-000020	AUTO-OILER ASSEMBLY	1	OP-7
14		V804-000050	BOLT, TORX 4	2	TB-4*12 10.9
15		V652-000030	GEAR, WORM	1	
16		V356-000290	COLLAR, 10	1	
17		V471-000741	PIPE	1	3*6*160
18		P100-001900	STRAINER, OIL	1	
19		V490-001230	CLIP	1	
20		132115-01462	GROMMET	1	
21		132012-11961	PIPE	1	3*6*45
22		V187-000010	NIPPLE	1	

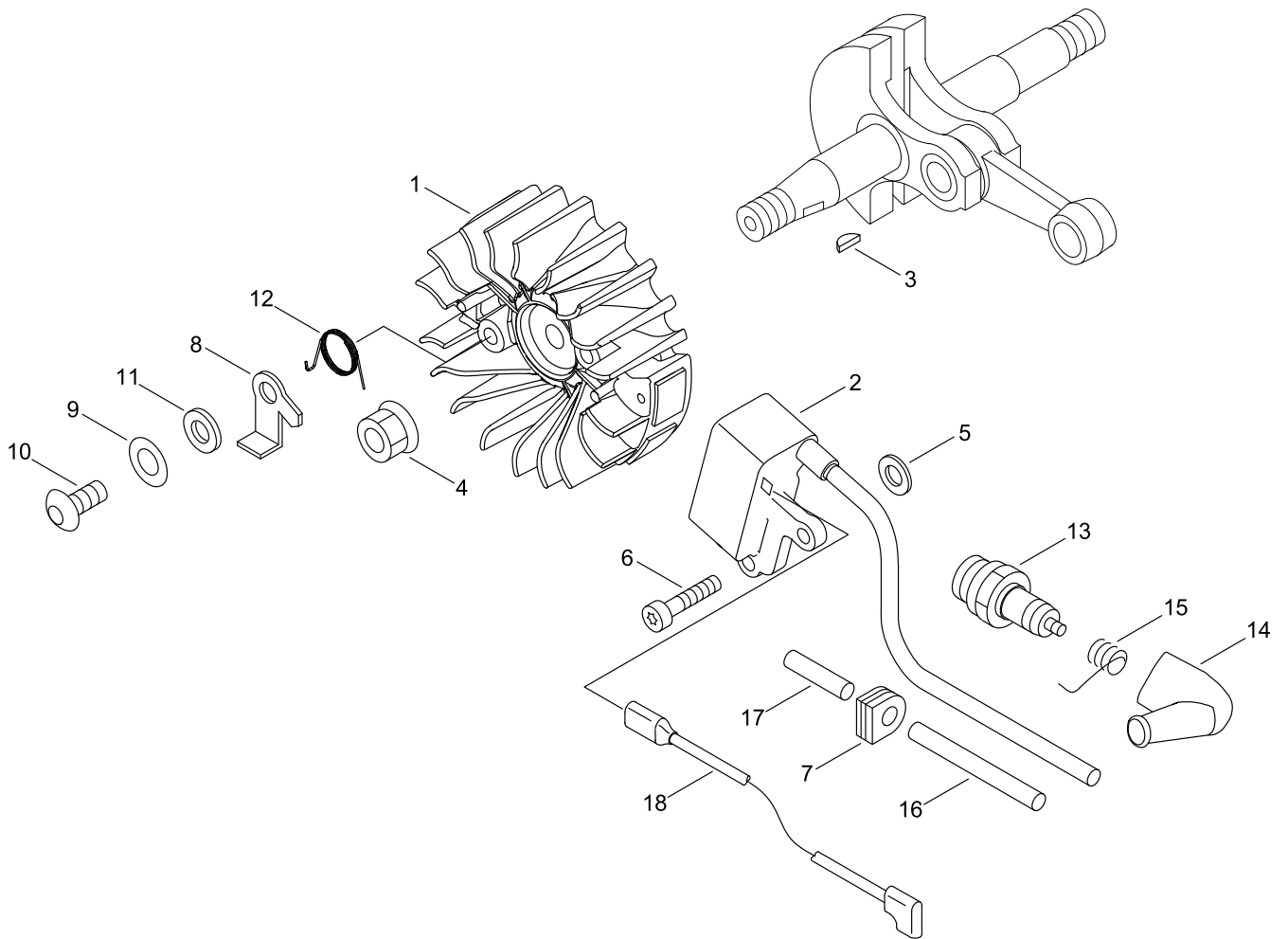
# ENGINE COVER



## ENGINE COVER

Key No.	LV (+)	Part No	Description	Qty	Standard
1		P100-007020	COVER ENGINE ASY	1	
2	+	V225-000262	BOLT,STUD 8	2	
3	+	436114-13930	VALVE, CHECK	1	
4	+	900724-00004	O-RING	1	S-4
5	+	V471-002291	PIPE	1	3*5*140
6	+	A369-000420	STRAINER, FUEL	1	ES-16499
7	+	V490-001240	CLIP	1	
8	+	132115-44331	GROMMET, FUEL	1	
9	+	123181-39130	PUMP, PRIMER	1	
10	+	V471-003401	PIPE	1	2.4*5*180
11	+	V471-003381	PIPE	1	2.4*5*400
12	+	V186-000530	JOINT,PIPE	2	
13	+	V471-003411	PIPE	1	3*5*265
14	+	V471-003391	PIPE	1	2.4*5*15
15	+	131300-56431	VENT ASSEMBLY, FUEL	1	
16	+	V137-000001	GROMMET,FUEL	1	
17		V805-000180	BOLT, TORX 5	2	TB-5*30 12.9
18		V805-000210	BOLT, TORX 5	2	TB-5*20 12.9
19		C305-000430	PLATE,SPROCKET GUARD	1	
20		V804-000000	BOLT, TORX 4	1	TT-4*12 DG 10.9
21		C304-000000	SPIKE	1	
22		V805-000010	BOLT, TORX 5	1	TT-5*20 DG 10.9
23		A239-000000	PIPE,INTAKE	1	
24		C626-000070	FIXTURE, HARNESS	1	
25		C646-000100	RING, HARNESS	1	
26		V805-000140	BOLT, TORX 5	1	TB-5*12 10.9
27		A429-000160	COVER,CAP	1	
28		V805-000010	BOLT, TORX 5	1	TT-5*20 DG 10.9
29		A127-000371	COVER,DUST	1	
30		433026-35430	CATCHER, CHAIN	1	
31		V805-000010	BOLT, TORX 5	1	TT-5*20 DG 10.9
32		P021-005581	CAP ASY	1	
33	+	900720-00018	O-RING	1	P-18
34	+	A365-000050	CONNECTOR,CAP	1	
35		P021-005591	CAP ASY	1	
36	+	900720-00018	O-RING	1	P-18
37	+	A365-000050	CONNECTOR,CAP	1	
38		X505-002441	LABEL,CAUTION	1	
39		X505-000181	LABEL,CAUTION	1	

# MAGNETO

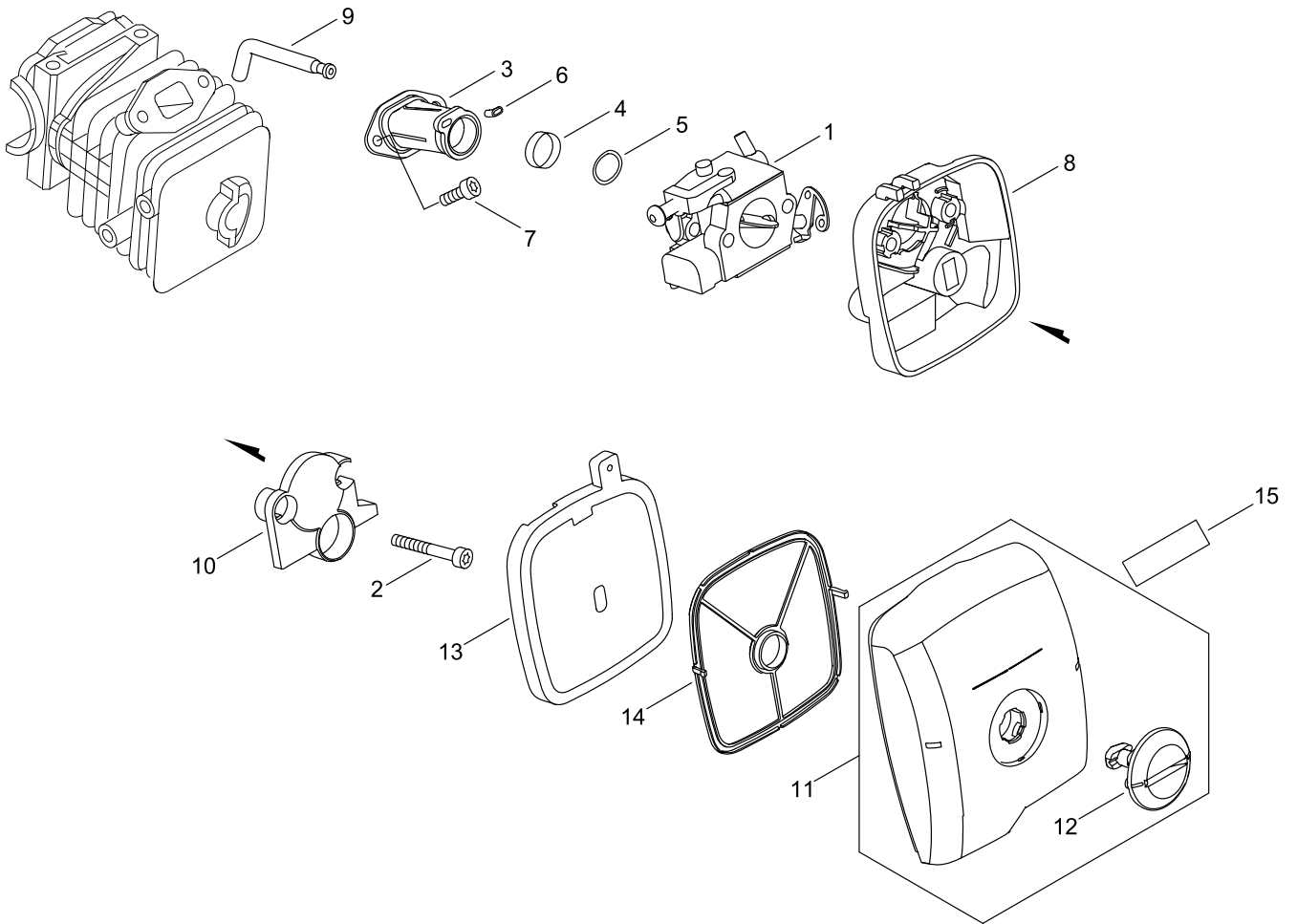


## MAGNETO

Key No.	LV (+)	Part No	Description	Qty	Standard
1		A409-001240	ROTOR, MAGNETO	1	
2		A411-001501	COIL, IGNITION	1	OPPAMA ID#A10051
3		100142-12330	KEY, WOODRUFF	1	
4		900515-00008	NUT, FLANGE 8	1	8
5		150117-16430	SPACER	2	
6		V805-000210	BOLT, TORX 5	2	TB-5*20 12.9
7		156110-04920	BUSHING	1	
8		A514-000270	PAWL	2	
9		900603-00005	WASHER 5	2	5.5*12*0.8
10		V203-000080	BOLT,5	2	5*14
11		177247-04630	SPACER, RATCHET	2	5.2*8*2.1
12		177234-35430	SPRING, RETURN	2	
13		A425-000000	SPARKPLUG	1	BPMR8Y
14		A427-000013	CAP,SPARK PLUG	1	
15		A426-000010	TERMINAL,SPARKPLUG	1	
16		V475-002390	TUBE	1	
17		V475-001900	TUBE	1	7*8.6*30
18		V485-002430	LEAD	1	



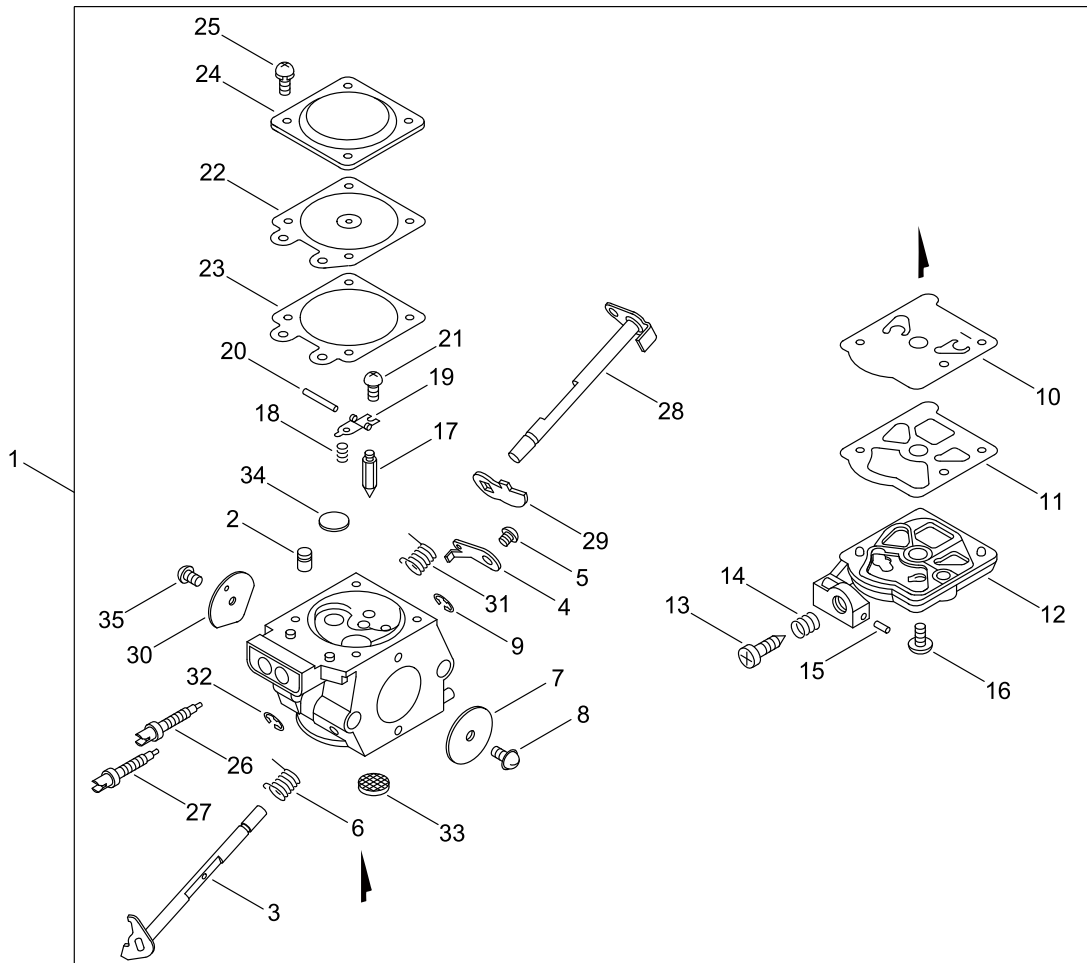
# AIR CLEANER, CARBURETOR



## AIR CLEANER, CARBURETOR

Key No.	LV (+)	Part No	Description	Qty	Standard
1		A021-004210	CARBURETOR, DIAPHRAGM	1	ZAMA
2		V805-000080	BOLT, TORX 5	2	TB-5*50 10.9
3		A202-000231	BELLOWS, INTAKE	1	
4		V451-001411	SPRING,TENSION	1	
5		V311-000170	WASHER,CIRCULAR 16-1	1	T1.2
6		V351-000000	COLLAR,3	1	3.2*6.5
7		V805-000140	BOLT, TORX 5	2	TB-5*12 10.9
8		A225-000611	CASE,CLEANER	1	
9		V470-001910	PIPE	1	
10		A244-000280	PLATE, PREVENT	1	
11		P100-002760	CLEANER COVER ASY	1	
12	+	A235-000361	KNOB,CLEANER LID	1	
13		A226-001820	ELEMENT, AIR FILTER	1	
14		A228-000030	SEAL,CLEANER	1	
15		X503-015190	LABEL,MODEL	1	CS-362TES EU

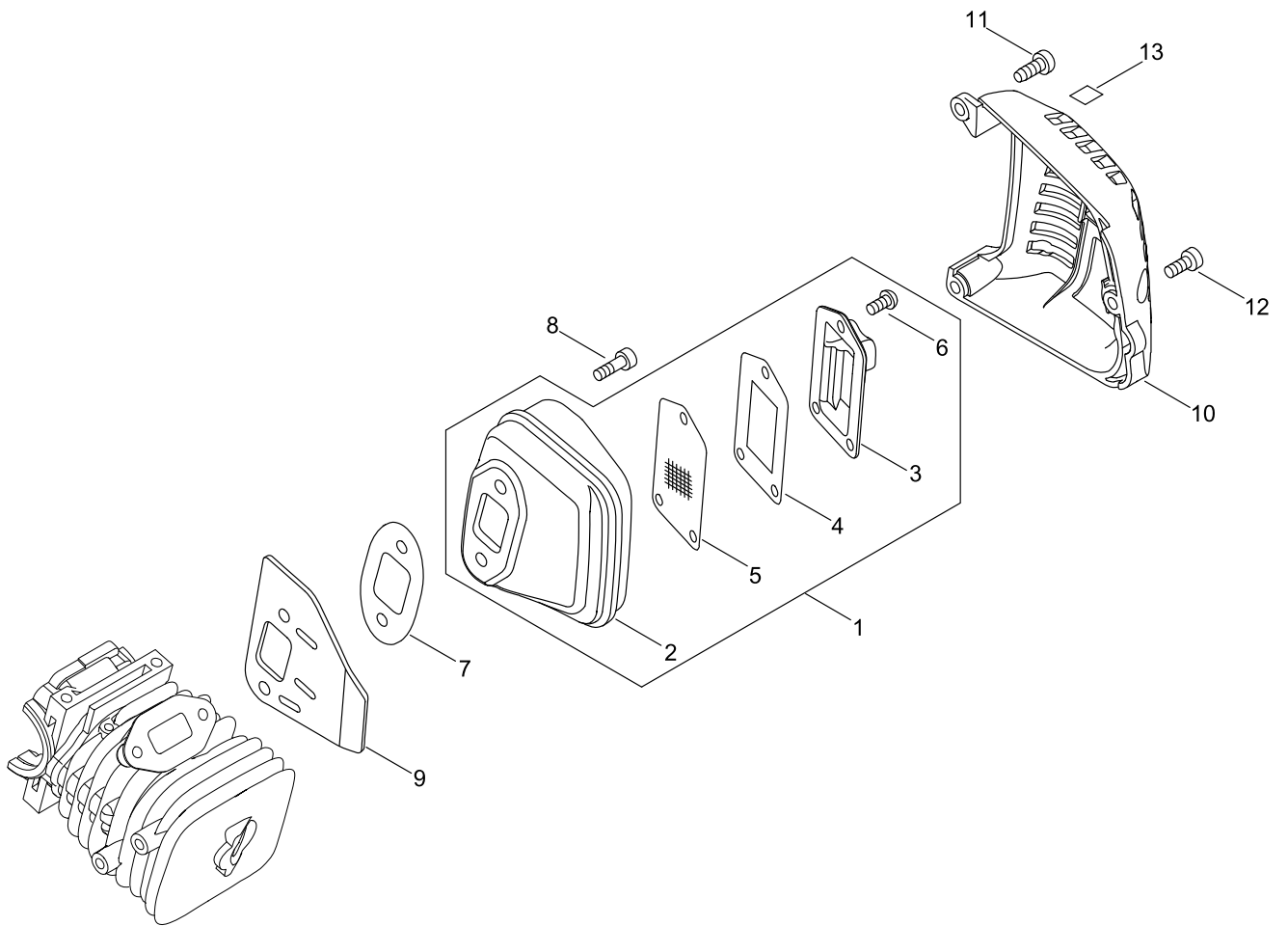
# CARBURETOR



## CARBURETOR

Key No.	LV (+)	Part No	Description	Qty	Standard
1		A021-004210	CARBURETOR, DIAPHRAGM	1	ZAMA
2	+	P005-003130	NOZZLE, CHECK VALVE	1	
3	+	P005-003140	SHAFT ASY,THROTTLE	1	
4	+	P005-003150	LEVER, THROTTLE	1	
5	+	125348-13930	SCREW	1	
6	+	P005-000790	SPRING,THRT.RETURN	1	
7	+	P005-003160	VALVE, THROTTLE	1	
8	+	P005-003170	SCREW	1	
9	+	125327-13930	CLIP	1	
10	+	P005-001110	DIAPHRAGM, PUMP	1	
11	+	125325-08360	GASKET, PUMP	1	
12	+	P005-003180	COVER, PUMP	1	
13	+	125344-08560	SCREW	1	
14	+	125333-33330	SPRING, IDLE ADJUST	1	
15	+	125378-13930	PIECE, FRICTION	1	
16	+	125310-13930	SCREW	1	
17	+	125337-08260	VALVE, INLET NEEDLE	1	
18	+	125322-13930	SPRING, COIL	1	
19	+	125323-08260	ARM, VALVE	1	
20	+	125338-13930	PIN, METERING ARM	1	
21	+	125339-13930	SCREW	1	
22	+	P005-003190	DIAPHRAGM ,METERING	1	
23	+	P005-003200	GASKET, METERING	1	
24	+	P005-003210	COVER, METERING	1	
25	+	P005-003220	SCREW	4	
26	+	P005-002370	NEEDLE, HIGH SPEED	1	
27	+	P005-002380	NEEDLE, IDLE	1	
28	+	P005-002390	SHAFT, CHOKE	1	
29	+	P005-003230	LEVER, CHOKE	1	
30	+	P005-003240	VALVE, CHOKE	1	
31	+	P005-000880	SPRING, CHOKE RETURN	1	
32	+	125327-15130	CLIP	1	
33	+	P005-000860	SCREEN, FUEL INLET	1	
34	+	P005-002400	PLUG, WELCH	1	
35	+	125314-51230	SCREW	1	3*4.5

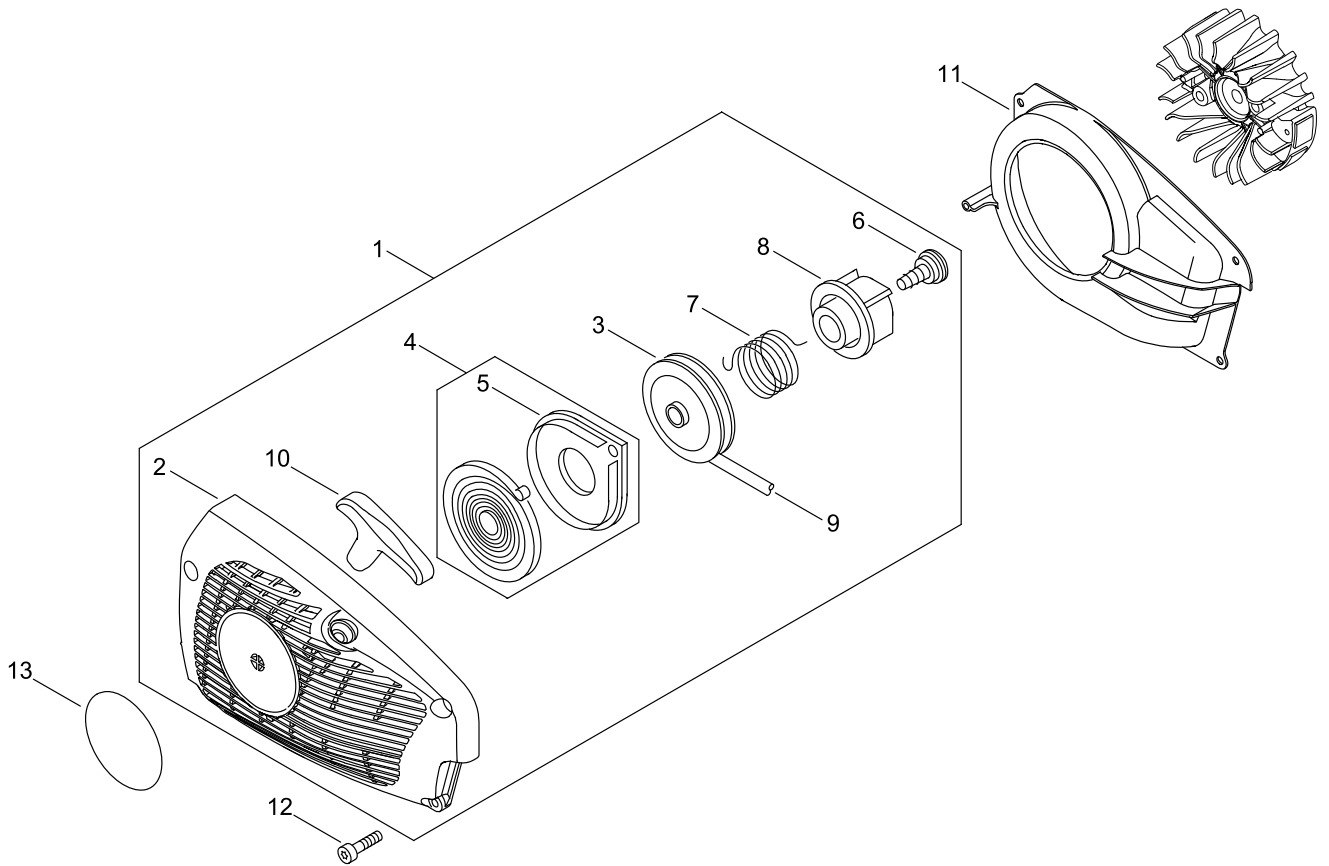
# MUFFLER



## MUFFLER

Key No.	LV (+)	Part No	Description	Qty	Standard
1		P021-045451	MUFFLER ASY	1	
2	+	A300-001841	MUFFLER, EXHAUST	1	T:0.6
3	+	A313-001980	GUIDE, EXHAUST	1	ID#2140
4	+	V104-001980	GASKET,EXHAUST	1	
5	+	A310-000431	SCREEN, ARRESTOR	1	
6	+	900242-04010	SCREW 4*10	3	4*10
7		V104-001960	GASKET,EXHAUST	1	
8		V805-000250	BOLT, TORX 5	2	TB-5*16 12.9
9		A312-000070	PLATE, EXHUST	1	
10		A320-001080	COVER,MUFFLER	1	FOR CAT MUFF
11		V805-000010	BOLT, TORX 5	2	TT-5*20 DG 10.9
12		V805-000150	BOLT, TORX 5	1	TB-5*16 10.9
13		X505-007710	LABEL,CAUTION	1	

# RECOIL STARTER

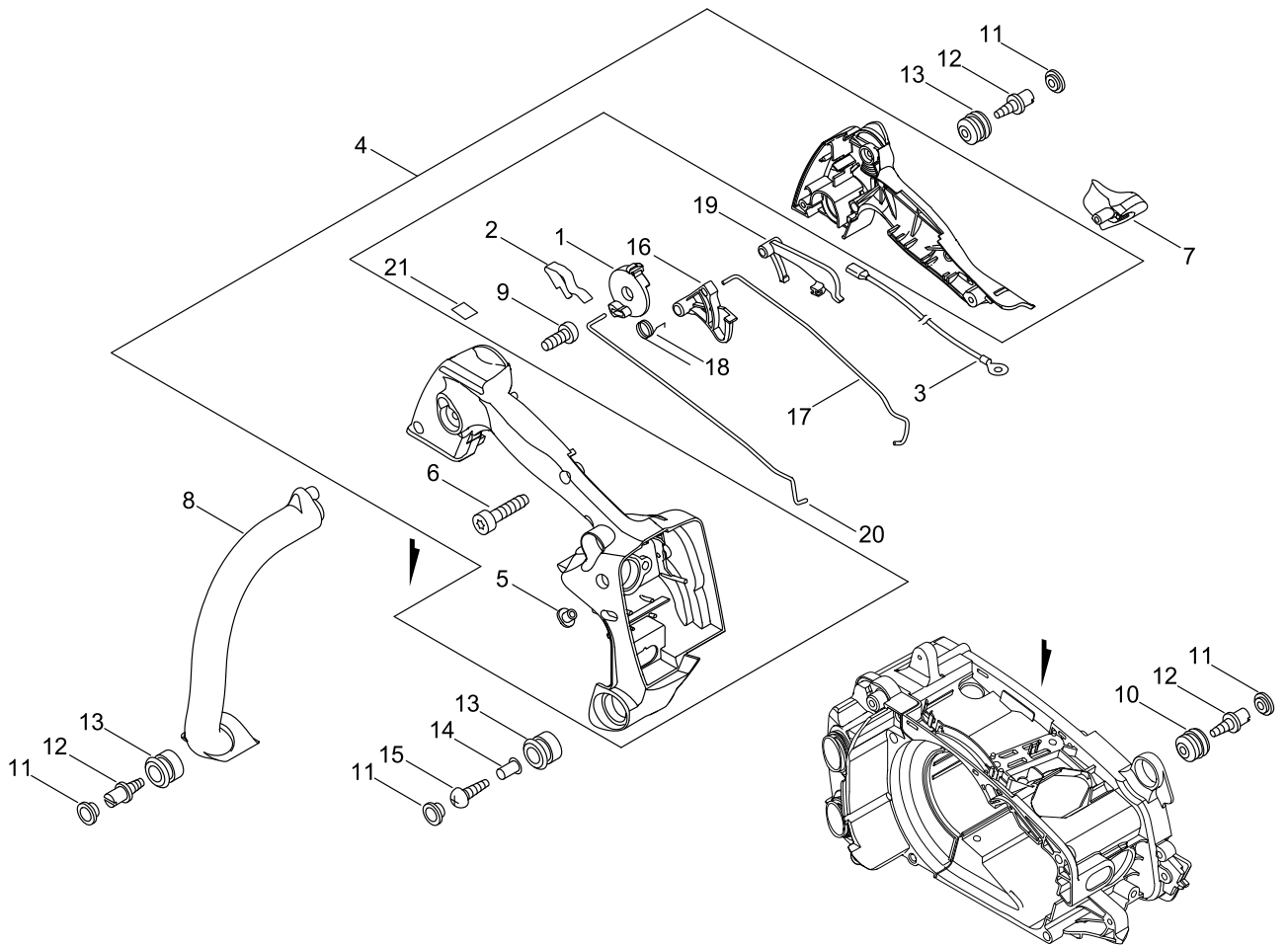


## RECOIL STARTER

Key No.	LV (+)	Part No	Description	Qty	Standard
1		A051-002511	STARTER,RECOIL ASY	1	
2	+	P022-042410	CASE,STARTER	1	
3	+	P022-036660	DRUM, STARTER	1	
4	+	P022-001330	SPRING KIT, REWIND	1	
5	++	P022-033280	SPRING CASE	1	
6	+	177236-61830	SCREW	1	
7	+	P022-036670	SPRING,DAMPER	1	
8	+	P022-036680	PLATE, CAM	1	
9	+	P022-008440	ROPE, STARTER	1	3.5*900
10	+	P022-005891	GRIP, STARTER	1	
11		A172-002091	COVER,FAN	1	
12		V804-000060	BOLT, TORX 4	4	TB-4*16 10.9
13		X502-000780	LABEL,ECHO	1	



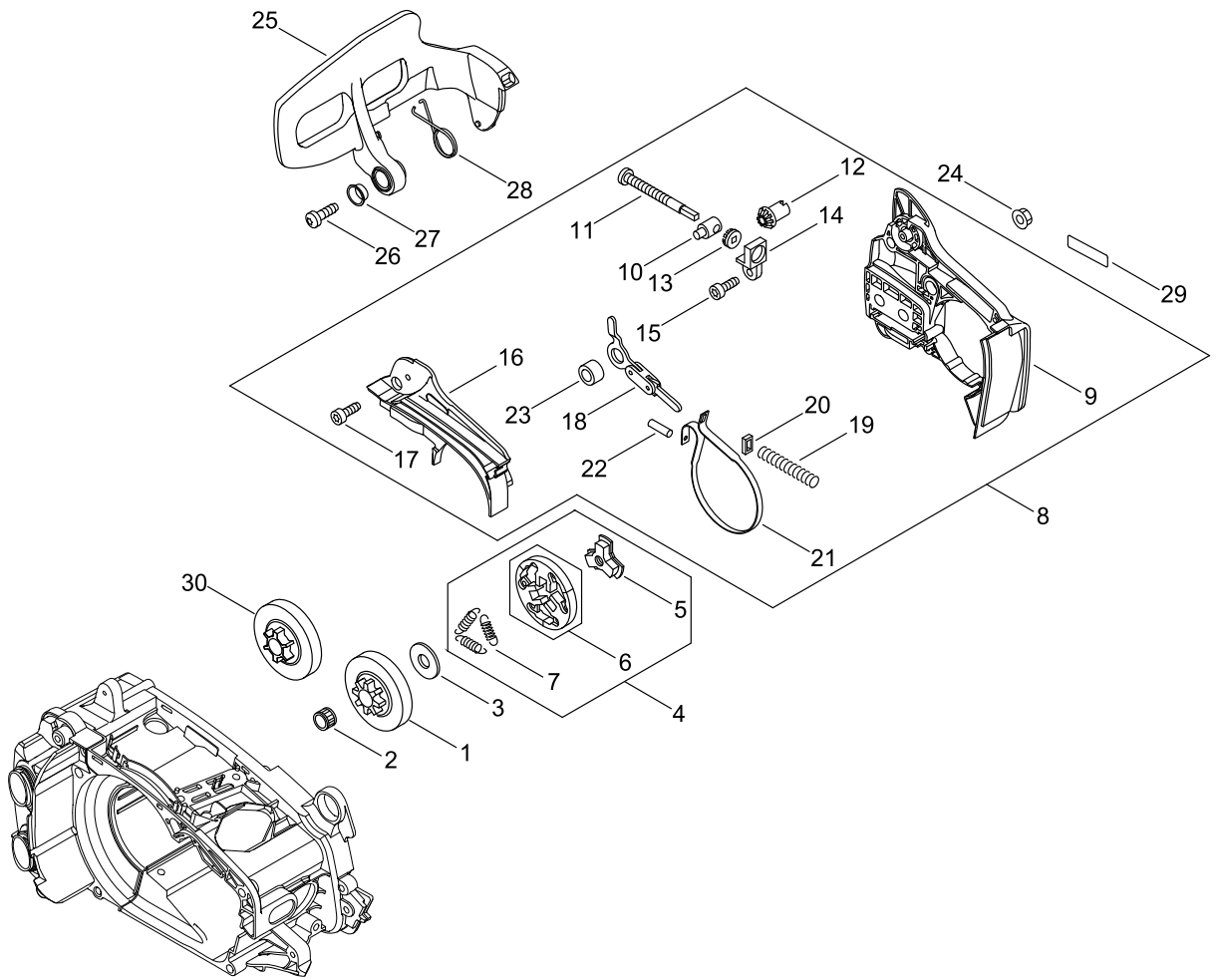
# HANDLE



## HANDLE

Key No.	LV (+)	Part No	Description	Qty	Standard
1		A253-000090	LEVER, CONTROL	1	
2		V486-000371	TERMINAL,LEAD	1	
3		V485-002441	LEAD	1	
4		P021-041820	HANDLE SET, REAR	1	
5	+	130020-33330	NUT	2	
6	+	V804-000010	BOLT, TORX 4	4	TT-4*16 DG 10.9
7		C401-000320	PIECE,HANDLE	1	
8		C400-001150	HANDLE, FRONT	1	
9		V805-000010	BOLT, TORX 5	1	TT-5*20 DG 10.9
10		100910-18830	CUSHION	1	
11		100918-15130	CAP	4	
12		V202-000000	BOLT,4	3	
13		V400-000070	CUSHION,4	3	
14		V352-000020	COLLAR,4	1	
15		91481-04035	SCREW TAPPING	1	
16		C450-000731	CONTROL, THROTTLE	1	
17		C454-000491	ROD, THROTTLE	1	
18		V452-000010	SPRING,TORSION	1	
19		C460-000002	LOCKOUT,THROTTLE	1	
20		A240-000200	ROD, CHOKE	1	
21		890157-39131	LABEL, SWITCH	1	

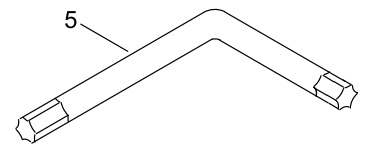
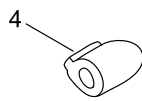
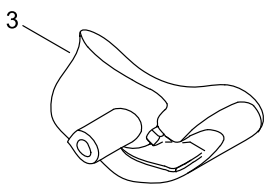
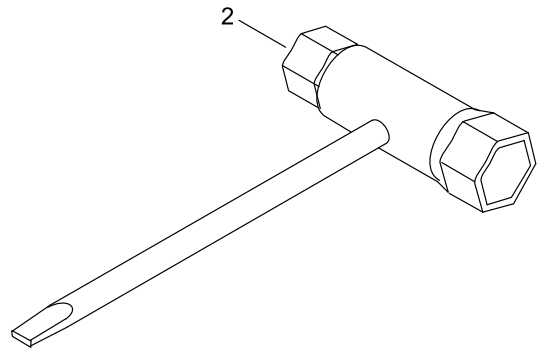
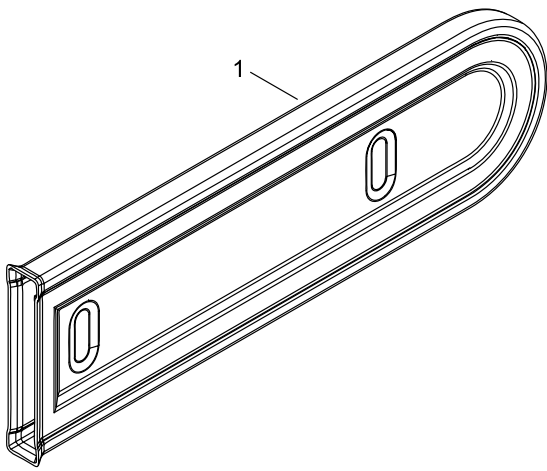
# CHAIN BRAKE



## CHAIN BRAKE

Key No.	LV (+)	Part No	Description	Qty	Standard
1		175005-39133	DRUM, CLUTCH	1	3/8 6T
2		V555-000170	BEARING, NEEDLE 10	1	8E- KV10*13*12.8
3		A551-000010	PLATE, CLUTCH	1	
4		A056-000071	CLUTCH	1	
5	+	A552-000020	HUB, CLUTCH	1	
6	+	P021-005811	CLUTCH SHOE SET	1	
7	+	V451-000470	SPRING, TENSION	3	
8		P021-048810	GUARD, SPROCKET ASY	1	
9	+	C300-000952	GUARD, SPROCKET	1	
10	+	C309-000030	TENSIONER, CHAIN	1	
11	+	V203-000041	BOLT, 5	1	
12	+	V651-000001	GEAR, BEVEL	1	
13	+	V651-000011	GEAR, BEVEL	1	
14	+	V355-000140	COLLAR, 8	1	
15	+	V804-000000	BOLT, TORX 4	1	TT-4*12 DG 10.9
16	+	C345-000520	COVER, BRAKE	1	
17	+	V804-000000	BOLT, TORX 4	3	TT-4*12 DG 10.9
18	+	C334-000290	CONNECTOR, BRAKE	1	
19	+	V450-000070	SPRING, COMPRESSION	1	
20	+	V376-000450	SPACER	1	
21	+	C328-000310	BAND, BRAKE	1	
22	+	93050-30098	ROLLER	1	3*9.8
23	+	433116-35430	SPACER 8	1	8*12*9
24		V265-000200	NUT	2	
25		C320-000501	LEVER, BRAKE	1	
26		V805-000240	BOLT, TORX 5	1	TT-5*12 DG 10.9
27		V356-000430	COLLAR, 10	1	
28		V452-001380	SPRING, TORSION	1	
29		X502-000340	LABEL, ECHO	1	ECHO(WHITE)
30		175007-39233	DRUM, CLUTCH 1/4	1	1/4 8T

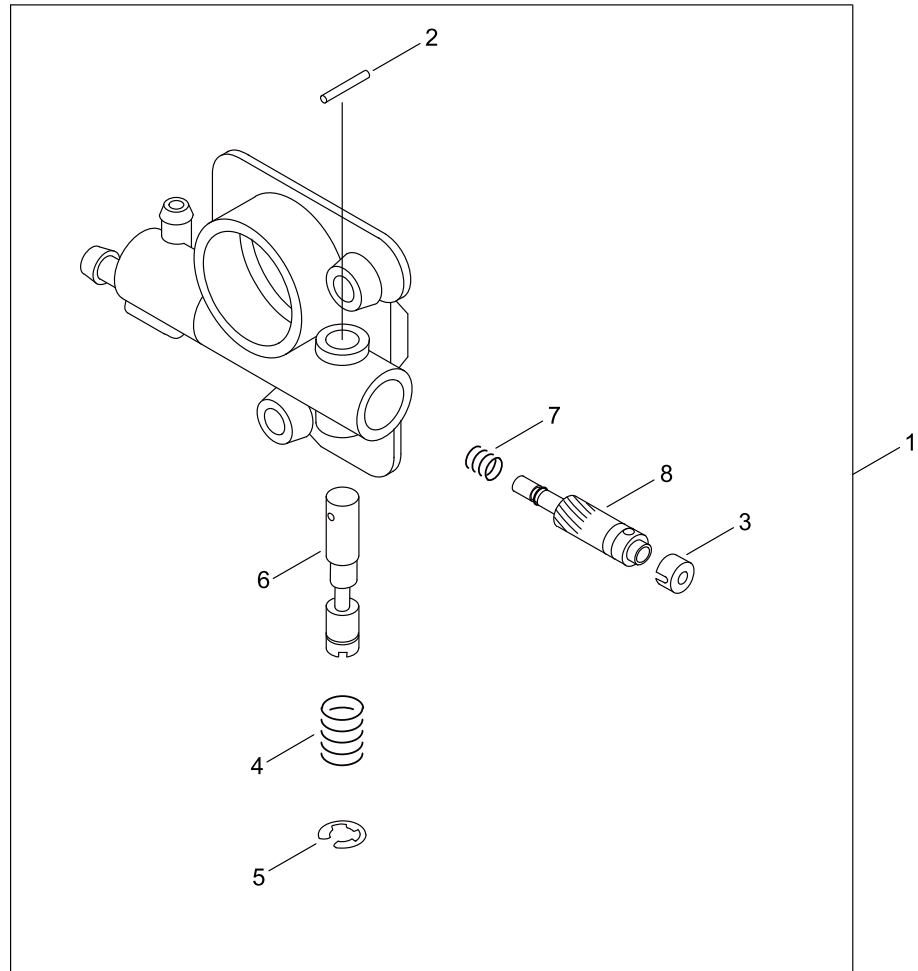
# ACCESSORIES



## ACCESSORIES

Key No.	LV (+)	Part No	Description	Qty	Standard
1		X490-000510	SCABBARD,CHAIN	1	
2		X602-000080	TOOL,WRENCH	1	13*19 L180
3		C401-000300	PIECE,HANDLE	1	
4		C401-000310	PIECE,HANDLE	1	
5		X605-000170	TOOL,L WRENCH	1	

OILER



## OILER

Key No.	LV (+)	Part No	Description	Qty	Standard
1		C022-000020	AUTO-OILER ASSEMBLY	1	OP-7
2	+	P003-002180	PIN, SPRING	1	
3	+	437062-38330	CAP, OIL PUMP	1	
4	+	437015-37330	SPRING	1	
5	+	123127-15030	RING	1	
6	+	P003-001370	NEEDLE-ADJ	1	
7	+	437019-38330	SPRING	1	
8	+	437024-37330	PLUNGER	1	



## GUIDE BAR, CHAIN

Pitch ピッチ  (inch) (mm)	Gauge ゲージ  (inch) (mm)	Length 長さ  (cm)	Guide Bar ガイドバー		Saw Chain ソーチェーン		Hard Nose  ハード ノーズ  	Sprocket Nose  スプロケット ノーズ  
			Key №	Type 形式	Key №	Type 形式		
1/4 6.35	0.050 1.27	30	A1	C30H25-68CL- ED	A2	25A-68E	●	
					A3	25AP-68E		
1/4 6.35	0.050 1.27	35	B1	C35H25-76CL- ET	B2	25A-76E	●	
					B3	25AP-76E		
3/8 9.53	0.050 1.27	30	C1	C30S91-47ML- EC	C2	91PX-47E		●
3/8 9.53	0.050 1.27	35	D1	C35S91-53ML- EC	D2	91PX-53E		●

## GUIDE BAR, CHAIN

Key No.	LV (+)	Part No	Description	Qty	Standard
A1		X102-000071	BAR,GUIDE 30	1	C30H25-68CL-ED
A2		X202-000010	CHAIN,SAW	1	25A-68E
A3		431611-10030	CHAIN, SAW 25AP-68E	1	25AP-68E
B1		X103-000111	BAR,GUIDE 35	1	C35H25-76CL-ET
B2		X203-000000	CHAIN,SAW	1	25A-76E
B3		431612-10030	CHAIN, SAW 25AP-76E	1	25AP-76E
C1		X122-000341	BAR,GUIDE 30	1	C30S91-47ML-EC
C2		X222-000140	CHAIN,SAW	1	91PX-47E
D1		X123-000551	BAR,GUIDE 35	1	C35S91-53ML-EC
D2		X223-000130	CHAIN,SAW	1	91PX-53E

# NUMERICAL PARTS INDEX

Part No	Part description	Page	Part No	Part description	Page	Part No	Part description	Page
100013-15330	PIN, PISTON	2	900515-00008	NUT, FLANGE 8	6	C309-000030	TENSIONER,CHAIN	18
100014-60930	SPACER, PISTON PIN	2	900603-00005	WASHER 5	6	C320-000501	LEVER, BRAKE	18
100015-04630	CIRCLIP, PISTON PIN	2	900720-00018	O-RING	4	C328-000310	BAND, BRAKE	18
100142-12330	KEY, WOODRUFF	6	900724-00004	O-RING	4	C334-000290	CONNECTOR, BRAKE	18
100910-18830	CUSHION	16	91481-04035	SCREW TAPPING	16	C345-000520	COVER,BRAKE	18
100918-15130	CAP	16	93050-30098	ROLLER	18	C400-001150	HANDLE, FRONT	16
123127-15030	RING	22	94035-36201	BEARING, BALL	2	C401-000300	PIECE,HANDLE	20
123181-39130	PUMP, PRIMER	4	A021-004210	CARBURETOR, DIAPHRAGM	8	C401-000310	PIECE,HANDLE	20
125310-13930	SCREW	10	A021-004210	CARBURETOR, DIAPHRAGM	10	C401-000320	PIECE,HANDLE	16
125314-51230	SCREW	10	A051-002511	STARTER,RECOIL ASY	14	C450-000731	CONTROL, THROTTLE	16
125322-13930	SPRING, COIL	10	A056-000071	CLUTCH	18	C454-000491	ROD, THROTTLE	16
125323-08260	ARM, VALVE	10	A101-000670	RING, PISTON	2	C460-000002	LOCKOUT,THROTTLE	16
125325-08360	GASKET, PUMP	10	A127-000371	COVER,DUST	4	C626-000070	FIXTURE, HARNESS	4
125327-13930	CLIP	10	A172-002091	COVER,FAN	14	C646-000100	RING, HARNESS	4
125327-15130	CLIP	10	A202-000231	BELLOWS, INTAKE	8	P003-001370	NEEDLE-ADJ	22
125333-33330	SPRING, IDLE ADJUST	10	A225-000611	CASE,CLEANER	8	P003-002180	PIN, SPRING	22
125337-08260	VALVE, INLET NEEDLE	10	A226-001820	ELEMENT, AIR FILTER	8	P005-000790	SPRING,THRT.RETURN	10
125338-13930	PIN, METERING ARM	10	A228-000030	SEAL,CLEANER	8	P005-000860	SCREEN, FUEL INLET	10
125339-13930	SCREW	10	A235-000361	KNOB,CLEANER LID	8	P005-000880	SPRING, CHOKE RETURN	10
125344-08560	SCREW	10	A239-000000	PIPE,INTAKE	4	P005-001110	DIAPHRAGM, PUMP	10
125348-13930	SCREW	10	A240-000200	ROD, CHOKE	16	P005-002370	NEEDLE, HIGH SPEED	10
125378-13930	PIECE, FRICTION	10	A244-000280	PLATE, PREVENT	8	P005-002380	NEEDLE, IDLE	10
130020-33330	NUT	16	A253-000090	LEVER, CONTROL	16	P005-002390	SHAFT, CHOKE	10
131300-56431	VENT ASSEMBLY, FUEL	4	A300-001841	MUFFLER, EXHAUST	12	P005-002400	PLUG, WELCH	10
132012-11961	PIPE	2	A310-000431	SCREEN, ARRESTOR	12	P005-003130	NOZZLE, CHECK VALVE	10
132115-01462	GROMMET	2	A312-000070	PLATE, EXHUST	12	P005-003140	SHAFT ASY,THROTTLE	10
132115-44331	GROMMET, FUEL	4	A313-001980	GUIDE, EXHAUST	12	P005-003150	LEVER, THROTTLE	10
150117-16430	SPACER	6	A320-001080	COVER,MUFFLER	12	P005-003160	VALVE, THROTTLE	10
156110-04920	BUSHING	6	A365-000050	CONNECTOR,CAP	4	P005-003170	SCREW	10
175005-39133	DRUM, CLUTCH	18	A369-000420	STRAINER, FUEL	4	P005-003180	COVER, PUMP	10
175007-39233	DRUM, CLUTCH 1/4	18	A409-001240	ROTOR, MAGNETO	6	P005-003190	DIAPHRAGM ,METERING	10
177234-35430	SPRING, RETURN	6	A411-001501	COIL, IGNITION	6	P005-003200	GASKET, METERING	10
177236-61830	SCREW	14	A425-000000	SPARKPLUG	6	P005-003210	COVER, METERING	10
177247-04630	SPACER, RATCHET	6	A426-000010	TERMINAL,SPARKPLUG	6	P005-003220	SCREW	10
431611-10030	CHAIN, SAW 25AP-68E	24	A427-000013	CAP,SPARK PLUG	6	P005-003230	LEVER, CHOKE	10
431612-10030	CHAIN, SAW 25AP-76E	24	A429-000160	COVER,CAP	4	P005-003240	VALVE, CHOKE	10
433026-35430	CATCHER, CHAIN	4	A514-000270	PAWL	6	P021-005581	CAP ASY	4
433116-35430	SPACER 8	18	A551-000010	PLATE,CLUTCH	18	P021-005591	CAP ASY	4
436114-13930	VALVE, CHECK	4	A552-000020	HUB,CLUTCH	18	P021-005811	CLUTCH SHOE SET	18
437015-37330	SPRING	22	C022-000020	AUTO-OILER ASSEMBLY	2	P021-039160	CRANKSHAFT ASY	2
437019-38330	SPRING	22	C300-000952	GUARD, SPROCKET	18	P021-041820	HANDLE SET, REAR	16
437024-37330	PLUNGER	22	C304-000000	SPIKE	4	P021-045440	PISTON KIT	2
437062-38330	CAP, OIL PUMP	22	C305-000430	PLATE,SPROCKET GUARD	4	P021-045451	MUFFLER ASY	12
890157-39131	LABEL, SWITCH	16				P021-048810	GUARD, SPROCKET ASY	18
900242-04010	SCREW 4*10	12				P022-001330	SPRING KIT, REWIND	14

# NUMERICAL PARTS INDEX

Part No	Part description	Page	Part No	Part description	Page
P022-005891	GRIP, STARTER	14	V485-002441	LEAD	16
P022-008440	ROPE, STARTER	14	V486-000371	TERMINAL,LEAD	16
P022-033280	SPRING CASE	14	V490-001230	CLIP	2
P022-036660	DRUM, STARTER	14	V490-001240	CLIP	4
P022-036670	SPRING,DAMPER	14	V505-000011	SEAL,OIL 12	2
P022-036680	PLATE, CAM	14	V553-000130	BEARING,NEEDLE 8	2
P022-042410	CASE,STARTER	14	V555-000170	BEARING,NEEDLE 10	18
P100-001900	STRAINER, OIL	2	V651-000001	GEAR,BEVEL	18
P100-002760	CLEANER COVER ASY	8	V651-000011	GEAR,BEVEL	18
P100-007010	CRANKCASE SET	2	V652-000030	GEAR,WORM	2
P100-007020	COVER ENGINE ASY	4	V804-000000	BOLT, TORX 4	4
V104-001960	GASKET,EXHAUST	12	V804-000000	BOLT, TORX 4	18
V104-001980	GASKET,EXHAUST	12	V804-000010	BOLT, TORX 4	16
V137-000001	GROMMET,FUEL	4	V804-000050	BOLT, TORX 4	2
V186-000530	JOINT,PIPE	4	V804-000060	BOLT, TORX 4	14
V187-000010	NIPPLE	2	V805-000010	BOLT, TORX 5	4
V202-000000	BOLT,4	16	V805-000010	BOLT, TORX 5	12
V203-000041	BOLT,5	18	V805-000010	BOLT, TORX 5	16
V203-000080	BOLT,5	6	V805-000080	BOLT, TORX 5	8
V225-000262	BOLT,STUD 8	4	V805-000140	BOLT, TORX 5	4
V265-000200	NUT	18	V805-000140	BOLT, TORX 5	8
V308-000030	WASHER,CIRCULAR 11	2	V805-000150	BOLT, TORX 5	12
V311-000170	WASHER,CIRCULAR 16-1	8	V805-000180	BOLT, TORX 5	4
V351-000000	COLLAR,3	8	V805-000210	BOLT, TORX 5	2
V352-000020	COLLAR,4	16	V805-000210	BOLT, TORX 5	4
V355-000140	COLLAR,8	18	V805-000210	BOLT, TORX 5	6
V356-000290	COLLAR,10	2	V805-000240	BOLT, TORX 5	18
V356-000430	COLLAR,10	18	V805-000250	BOLT, TORX 5	12
V376-000450	SPACER	18	X102-000071	BAR,GUIDE 30	24
V400-000070	CUSHION,4	16	X103-000111	BAR,GUIDE 35	24
V450-000070	SPRING,COMPRESSION	18	X122-000341	BAR,GUIDE 30	24
V451-000470	SPRING,TENSION	18	X123-000551	BAR,GUIDE 35	24
V451-001411	SPRING,TENSION	8	X202-000010	CHAIN,SAW	24
V452-000010	SPRING,TORSION	16	X203-000000	CHAIN,SAW	24
V452-001380	SPRING,TORSION	18	X222-000140	CHAIN,SAW	24
V470-001910	PIPE	8	X223-000130	CHAIN,SAW	24
V471-000741	PIPE	2	X490-000510	SCABBARD,CHAIN	20
V471-002291	PIPE	4	X502-000340	LABEL,ECHO	18
V471-003381	PIPE	4	X502-000780	LABEL,ECHO	14
V471-003391	PIPE	4	X503-015190	LABEL,MODEL	8
V471-003401	PIPE	4	X505-000181	LABEL,CAUTION	4
V471-003411	PIPE	4	X505-002441	LABEL,CAUTION	4
V475-001900	TUBE	6	X505-007710	LABEL,CAUTION	12
V475-002390	TUBE	6	X602-000080	TOOL,WRENCH	20
V485-002430	LEAD	6	X605-000170	TOOL,L WRENCH	20