



PARTS CATALOG

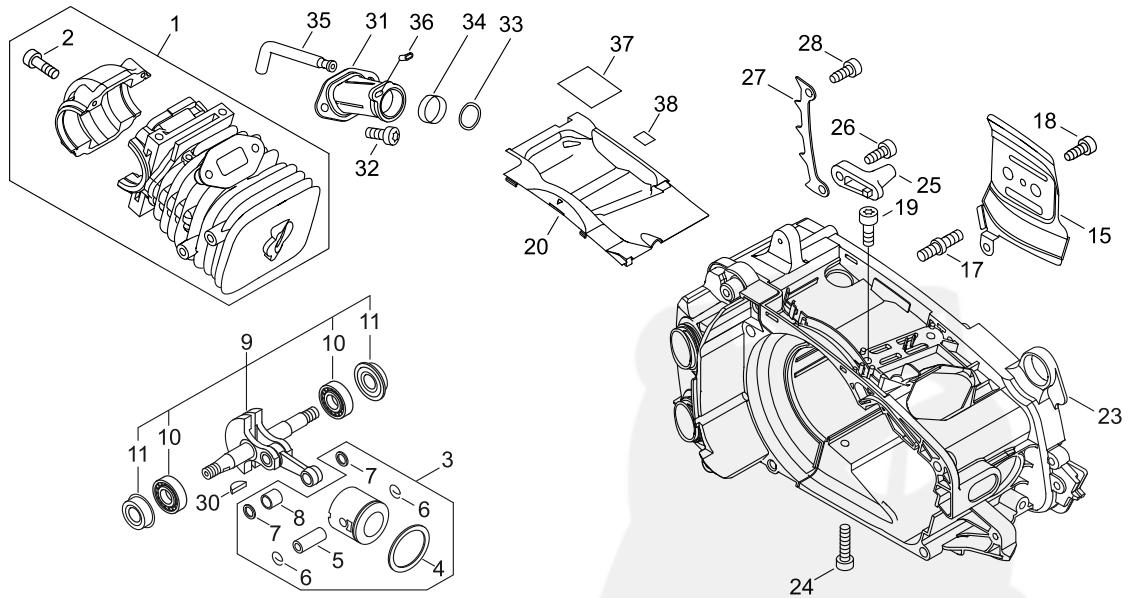
TOP HANDLE SAW CS-360TES(37)35

37003091 -

CE

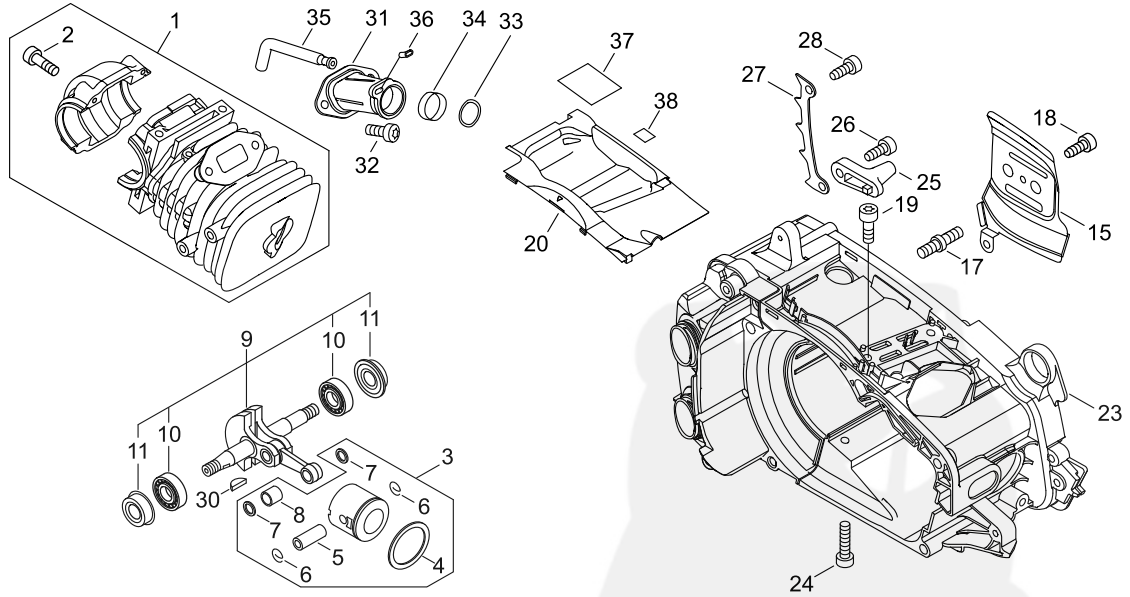
P014-004020-14Db

1. CYLINDER, PISTON, CRANKSHAFT



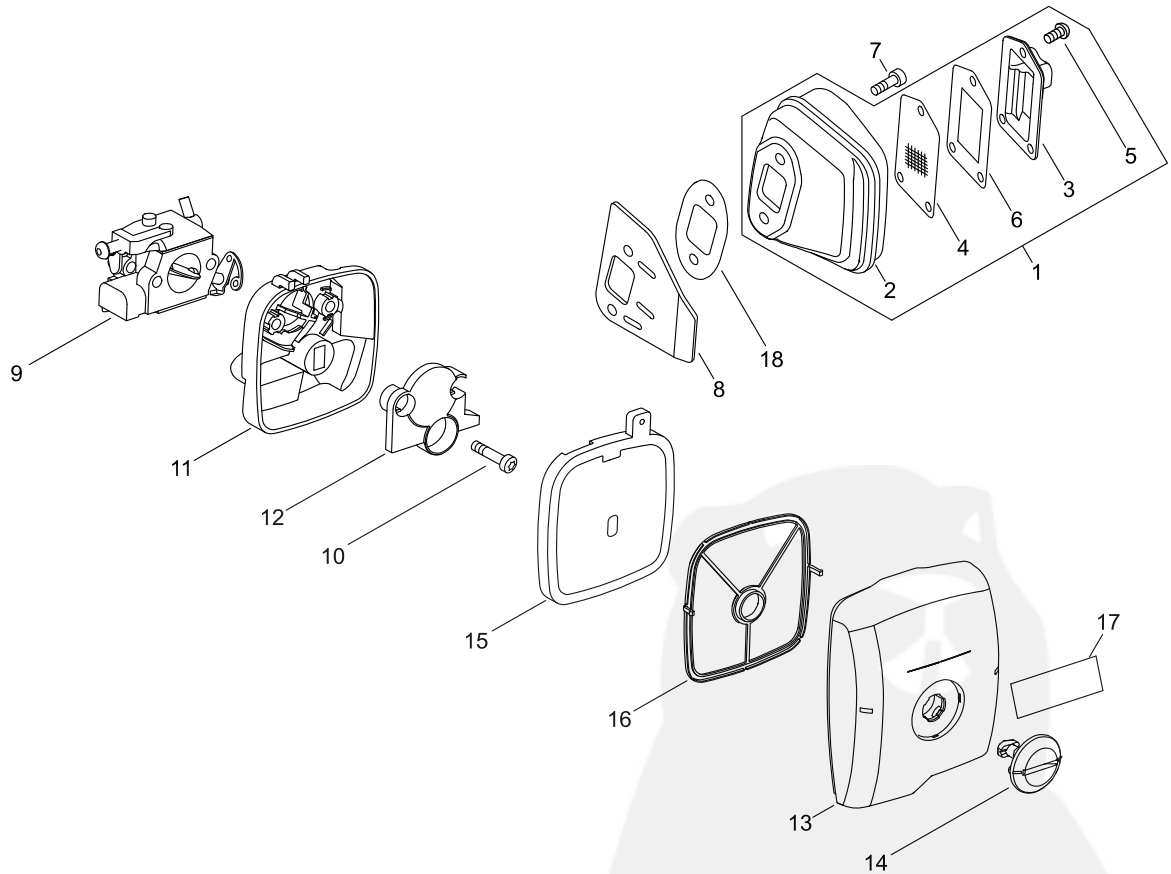
| KEY | LV | PART NUMBER | Q'TY | DESCRIPTION | REMARKS | NOTE1 | NOTE2 |
|-----|----|--------------|------|-----------------------|-----------------|-------|-------|
| 1 | | P021-045430 | 1 | CRANKCASE SET | | | |
| 2 | + | V805-000210 | 4 | BOLT, TORX 5 | TB-5*20 12.9 | | |
| 3 | | P021-045440 | 1 | PISTON KIT | | | |
| 4 | + | A101-000670 | 1 | RING, PISTON | 39*1.2*1.7 | | |
| 5 | + | 100013-15330 | 1 | PIN, PISTON | 5.5*8*29 | | |
| 6 | + | 100015-04630 | 2 | CIRCLIP, PISTON PIN | | | |
| 7 | + | 100014-60930 | 2 | SPACER, PISTON PIN | | | |
| 8 | + | V553-000130 | 1 | BEARING, NEEDLE 8 | | | |
| 9 | | P021-039160 | 1 | CRANKSHAFT ASY | | | |
| 10 | + | 94035-36201 | 2 | BEARING BALL | 6201X3JR2C3 | | |
| 11 | + | V505-000011 | 2 | SEAL, OIL 12 | 12*32*5.5 | | |
| 15 | | C305-000430 | 1 | PLATE, SPROCKET GUARD | | | |
| 17 | | V225-000262 | 2 | BOLT, STUD 8 | | | |
| 18 | | V804-000000 | 1 | BOLT, TORX 4 | TT-4*12 DG 10.9 | | |
| 19 | | V805-000210 | 2 | BOLT, TORX 5 | TB-5*20 12.9 | | |
| 20 | | A127-000370 | 1 | COVER, DUST | | | |
| 23 | | A190-001151 | 1 | COVER, ENGINE | | | |
| 24 | | V805-000180 | 2 | BOLT, TORX 5 | TB-5*30 12.9 | | |
| 25 | | 433026-35430 | 1 | CATCHER, CHAIN | | | |
| 26 | | V805-000010 | 1 | BOLT, TORX 5 | TT-5*20 DG 10.9 | | |
| 27 | | C304-000000 | 1 | SPIKE | | | |
| 28 | | V805-000000 | 1 | BOLT, TORX 5 | TT-5*16 DG 10.9 | | |

1. CYLINDER, PISTON, CRANKSHAFT



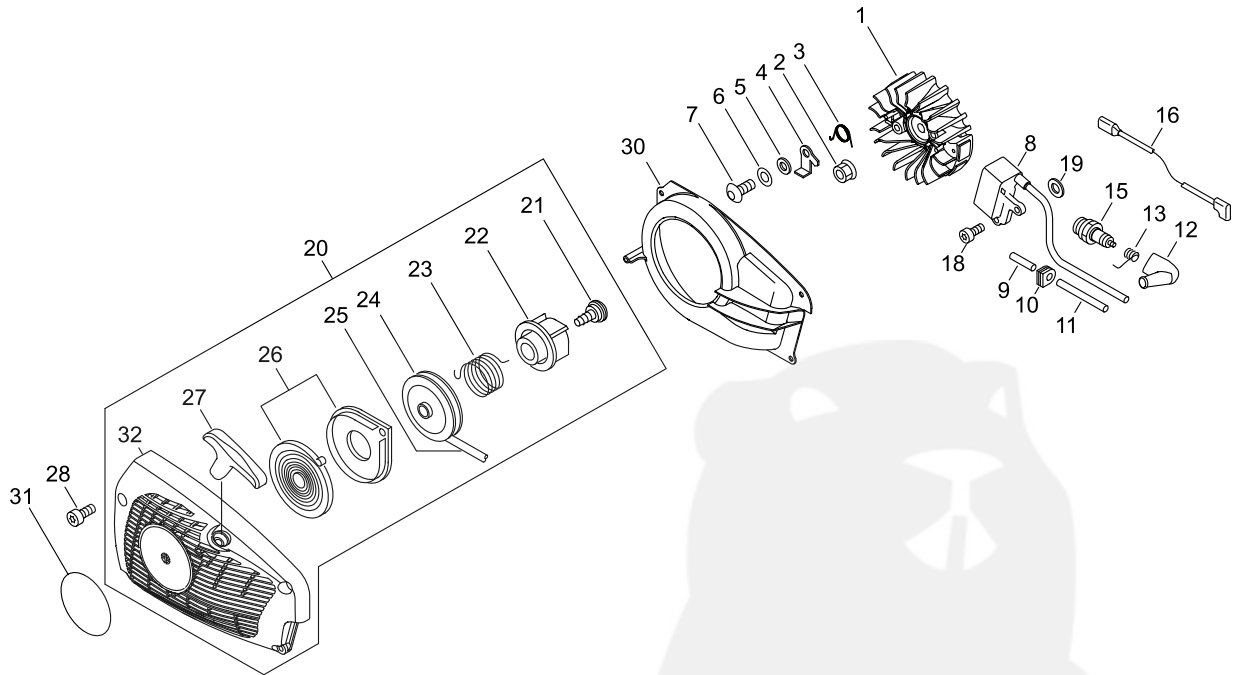
| KEY | LV | PART NUMBER | Q'TY | DESCRIPTION | REMARKS | NOTE1 | NOTE2 |
|-----|----|--------------|------|----------------------|--------------|-------|-------|
| 30 | | 100142-12330 | 1 | KEY, WOODRUFF | | | |
| 31 | | A202-000231 | 1 | BELLOWS, INTAKE | | | |
| 32 | | V805-000140 | 2 | BOLT, TORX 5 | TB-5*12 10.9 | | |
| 33 | | V311-000170 | 1 | WASHER,CIRCULAR 16-1 | T1.2 | | |
| 34 | | V451-001411 | 1 | SPRING,TENSION | | | |
| 35 | | V470-001910 | 1 | PIPE | | | |
| 36 | | V351-000000 | 1 | COLLAR,3 | 3.2*6.5 | | |
| 37 | | X505-002441 | 1 | LABEL,CAUTION | | | |
| 38 | | X505-007760 | 1 | LABEL,CAUTION | 13800R/MIN | | |

2. MUFFLER



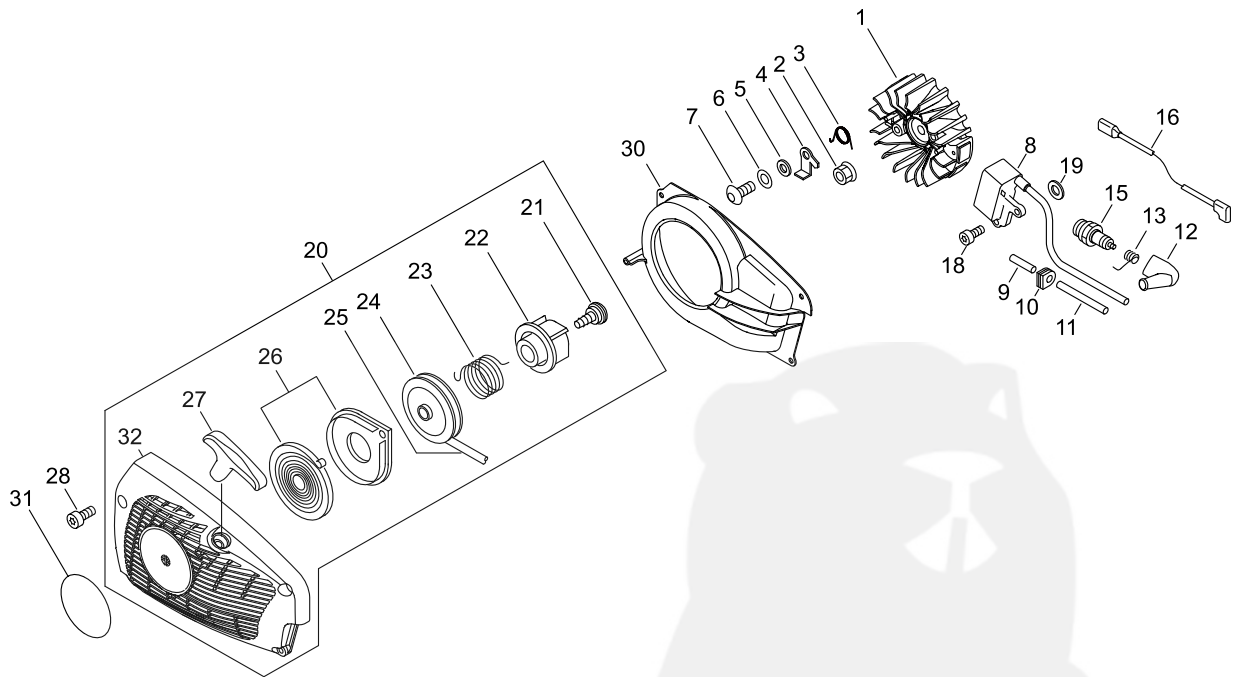
| KEY | LV | PART NUMBER | Q'TY | DESCRIPTION | REMARKS | NOTE1 | NOTE2 |
|-----|----|--------------|------|-----------------------|--------------|-------|-------|
| 1 | | P021-045450 | 1 | MUFFLER ASY | | | |
| 2 | + | A300-001840 | 1 | MUFFLER, EXHAUST | | | |
| 3 | + | A313-001980 | 1 | GUIDE, EXHAUST | ID# 2140 | | |
| 4 | + | A310-000431 | 1 | SCREEN, ARRESTOR | | | |
| 5 | + | 900242-04010 | 3 | SCREW 4*10 | 4*10 | | |
| 6 | + | V104-001980 | 1 | GASKET, EXHAUST | | | |
| 7 | | V805-000250 | 2 | BOLT, TORX 5 | TB-5*16 12.9 | | |
| 8 | | A312-000070 | 1 | PLATE, EXHUST | | | |
| 9 | | A021-004210 | 1 | CARBURETOR, DIAPHRAGM | ZAMA | | |
| 10 | | V805-000080 | 2 | BOLT, TORX 5 | TB-5*50 10.9 | | |
| 11 | | A225-000611 | 1 | CASE, CLEANER | | | |
| 12 | | A244-000280 | 1 | PLATE, PREVENT | | | |
| 13 | | A232-001652 | 1 | LID, CLEANER | | | |
| 14 | | A235-000361 | 1 | KNOB, CLEANER LID | | | |
| 15 | | A226-001820 | 1 | ELEMENT, AIR FILTER | | | |
| 16 | | A228-000030 | 1 | SEAL, CLEANER | | | |
| 17 | | X503-012640 | 1 | LABEL, MODEL | CS-360TES EU | | |
| 18 | | V104-001960 | 1 | GASKET, EXHAUST | | | |

3. STARTER, MAGNETO



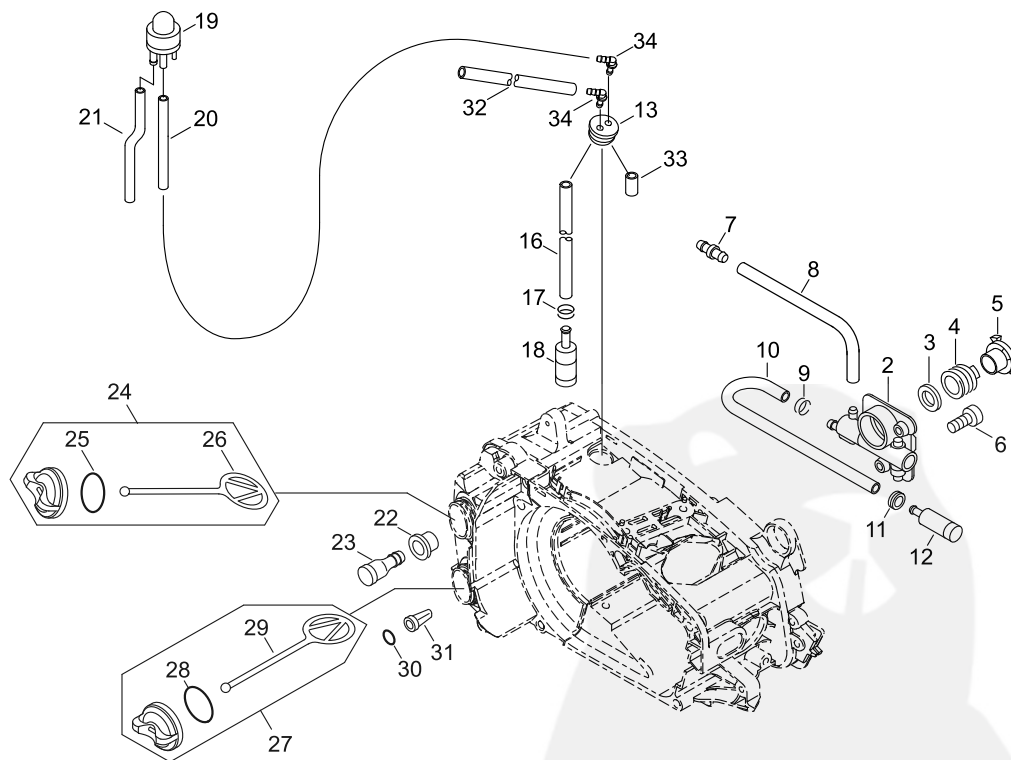
| KEY | LV | PART NUMBER | Q'TY | DESCRIPTION | REMARKS | NOTE1 | NOTE2 |
|-----|----|--------------|------|---------------------|--------------|-------|-------|
| 1 | | A409-001240 | 1 | ROTOR, MAGNETO | | | |
| 2 | | 900515-00008 | 1 | NUT, FLANGE 8 | 8 | | |
| 3 | | 177234-35430 | 2 | SPRING, RETURN | | | |
| 4 | | A514-000270 | 2 | PAWL | | | |
| 5 | | 177247-04630 | 2 | SPACER, RATCHET | 5.2*8*2.1 | | |
| 6 | | 900603-00005 | 2 | WASHER 5 | 5.5*12*0.8 | | |
| 7 | | V203-000080 | 2 | BOLT,5 | 5*14 | | |
| 8 | | A411-001500 | 1 | COIL, IGNITION | OPPAMA ID# | | |
| 9 | | V475-001900 | 1 | TUBE | 7*8.6*30 | | |
| 10 | | 156110-04920 | 1 | BUSHING | | | |
| 11 | | V475-002390 | 1 | TUBE | | | |
| 12 | | A427-000013 | 1 | CAP, SPARK PLUG | | | |
| 13 | | A426-000010 | 1 | TERMINAL, SPARKPLUG | | | |
| 15 | | A425-000000 | 1 | SPARKPLUG | BPMR8Y | | |
| 16 | | V485-002430 | 1 | LEAD | | | |
| 18 | | V805-000210 | 2 | BOLT, TORX 5 | TB-5*20 12.9 | | |
| 19 | | 150117-16430 | 2 | SPACER | | | |
| 20 | | A051-002510 | 1 | STARTER, RECOIL ASY | | | |
| 32 | + | P022-037160 | 1 | CASE, STARTER | | | |
| 21 | + | 177236-61830 | 1 | SCREW | | | |
| 22 | + | P022-036680 | 1 | PLATE, CAM | | | |
| 23 | + | P022-036670 | 1 | SPRING, DAMPER | | | |
| 24 | + | P022-036660 | 1 | DRUM, STARTER | | | |
| 25 | + | P022-008440 | 1 | ROPE, STARTER | 3.5*900 | | |
| 26 | + | P022-001330 | 1 | SPRING KIT, REWIND | | | |

3. STARTER, MAGNETO



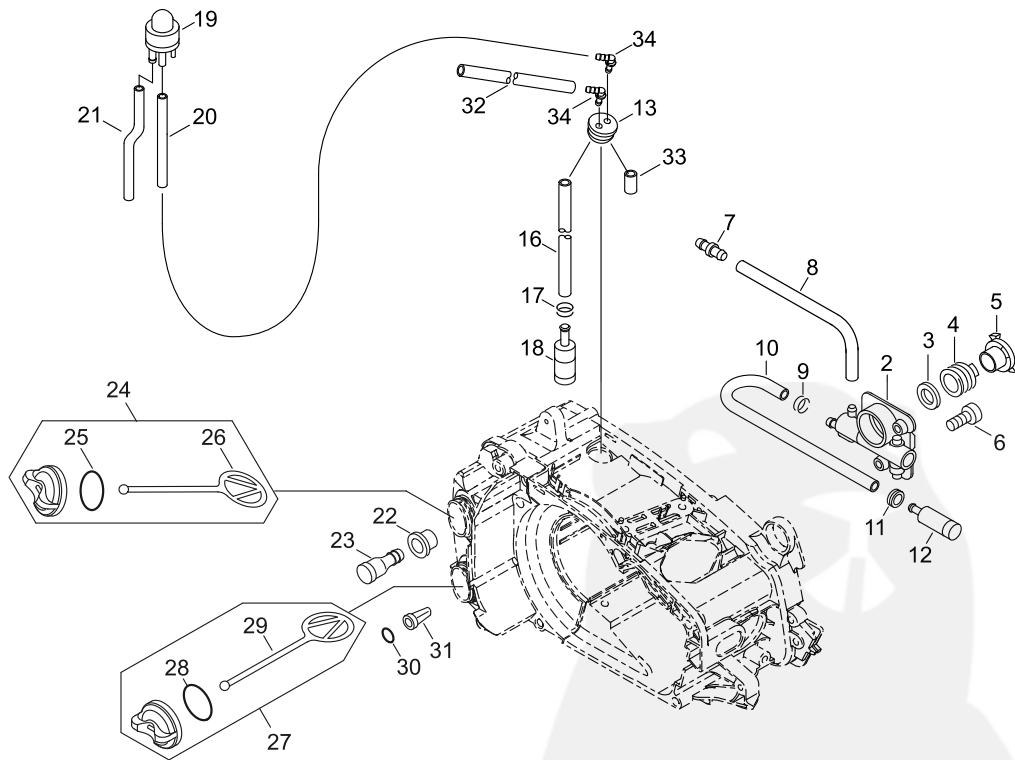
| KEY | LV | PART NUMBER | Q'TY | DESCRIPTION | REMARKS | NOTE1 | NOTE2 |
|-----|----|-------------|------|---------------|--------------|-------|-------|
| 27 | + | P022-005891 | 1 | GRIP, STARTER | | | |
| 28 | | V804-000060 | 4 | BOLT, TORX 4 | TB-4*16 10.9 | | |
| 30 | | A172-002090 | 1 | COVER,FAN | | | |
| 31 | | X502-000410 | 1 | LABEL,ECHO | | | |

4. AUTO-OILER



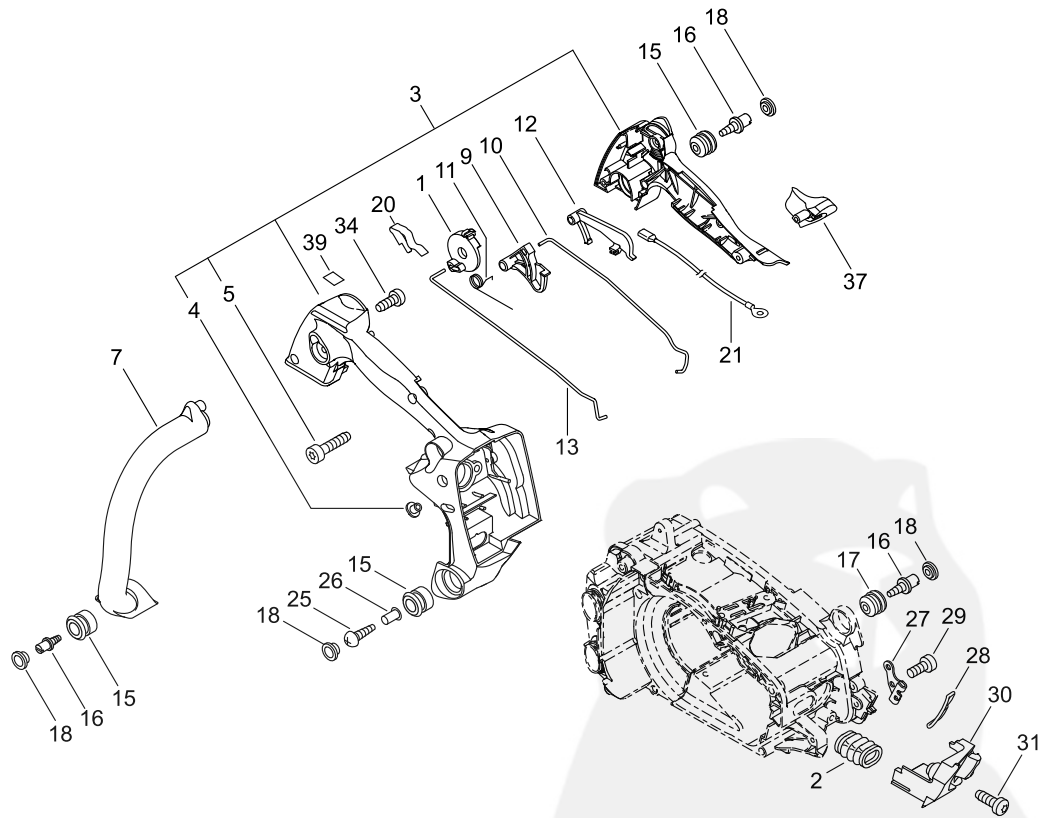
| KEY | LV | PART NUMBER | Q'TY | DESCRIPTION | REMARKS | NOTE1 | NOTE2 |
|-----|----|--------------|------|---------------------|---------------|-------|-------|
| 2 | | C022-000020 | 1 | AUTO-OILER ASSEMBLY | | | |
| 3 | | V308-000030 | 1 | WASHER,CIRCULAR 11 | 10.5*17.4*1.8 | | |
| 4 | | V652-000030 | 1 | GEAR,WORM | | | |
| 5 | | V356-000290 | 1 | COLLAR,10 | | | |
| 6 | | V804-000050 | 2 | BOLT, TORX 4 | TB-4*12 10.9 | | |
| 7 | | V187-000010 | 1 | NIPPLE | | | |
| 8 | | 132012-11960 | 1 | PIPE 3* 6* 45 | 3*6*45 NBR | | |
| 9 | | V490-001230 | 1 | CLIP | | | |
| 10 | | V471-000740 | 1 | PIPE | | | |
| 11 | | 132115-01461 | 1 | GROMMET | | | |
| 12 | | 436205-02832 | 1 | STRAINER, OIL | | | |
| 13 | | 132115-44330 | 1 | GROMMET | | | |
| 16 | | V471-002290 | 1 | PIPE | 3*5*140 | | |
| 17 | | V490-001240 | 1 | CLIP | | | |
| 18 | | 131205-14931 | 1 | STRAINER,FUEL | | | |
| 19 | | 123181-39130 | 1 | PUMP, PRIMER | | | |
| 20 | | V471-003380 | 1 | PIPE | 2.4*5*400 | | |
| 21 | | V471-003400 | 1 | PIPE | 2.4*5*180 | | |
| 22 | | V137-000000 | 1 | GROMMET,FUEL | | | |
| 23 | | 131300-56431 | 1 | VENT ASSEMBLY, FUEL | | | |
| 24 | | P021-005591 | 1 | CAP ASY | | | |
| 25 | + | 900720-00018 | 1 | O-RING 18 | P-18 | | |
| 26 | + | A365-000050 | 1 | CONNECTOR,CAP | | | |
| 27 | | P021-005581 | 1 | OIL CAP ASY | | | |

4. AUTO-OILER



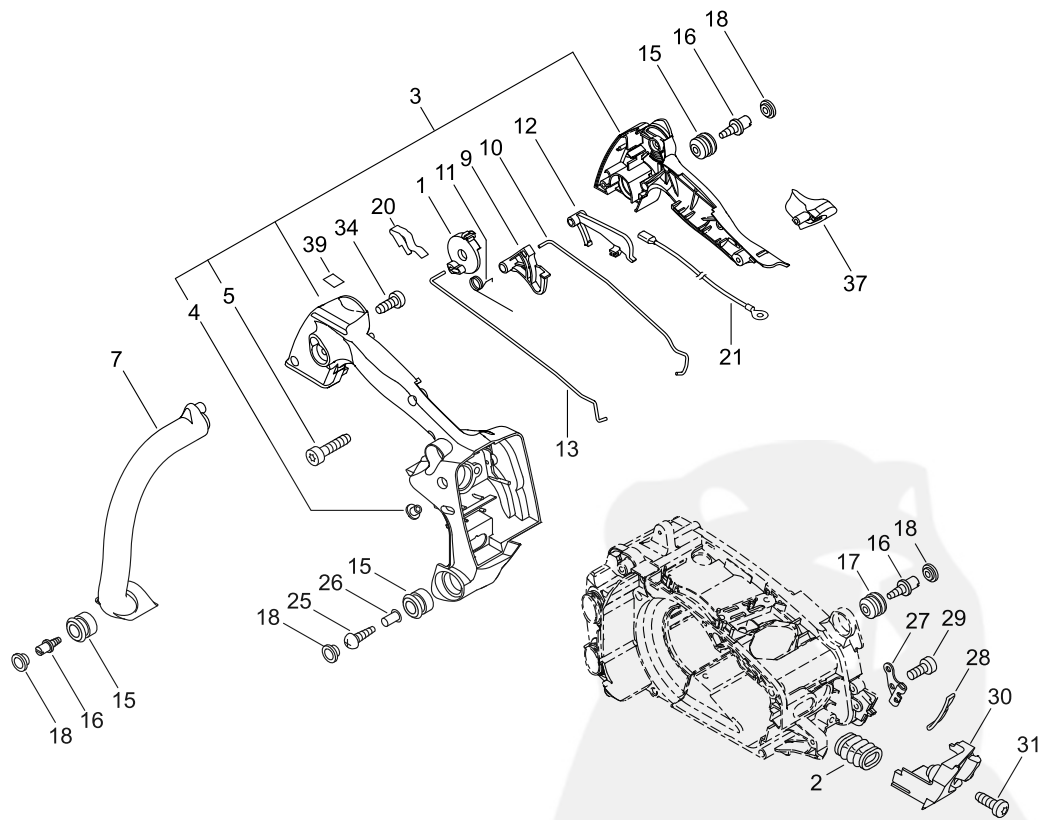
| KEY | LV | PART NUMBER | Q'TY | DESCRIPTION | REMARKS | NOTE1 | NOTE2 |
|-----|----|--------------|------|---------------|----------|-------|-------|
| 28 | + | 900720-00018 | 1 | O-RING 18 | P-18 | | |
| 29 | + | A365-000050 | 1 | CONNECTOR,CAP | | | |
| 30 | | 900724-00004 | 1 | O-RING (S-4) | S-4 | | |
| 31 | | 436114-13930 | 1 | VALVE, CHECK | | | |
| 32 | | V471-003410 | 1 | PIPE | 3*5*265 | | |
| 33 | | V471-003390 | 1 | PIPE | 2.4*5*15 | | |
| 34 | | V186-000530 | 2 | JOINT,PIPE | | | |

5. HANDLE



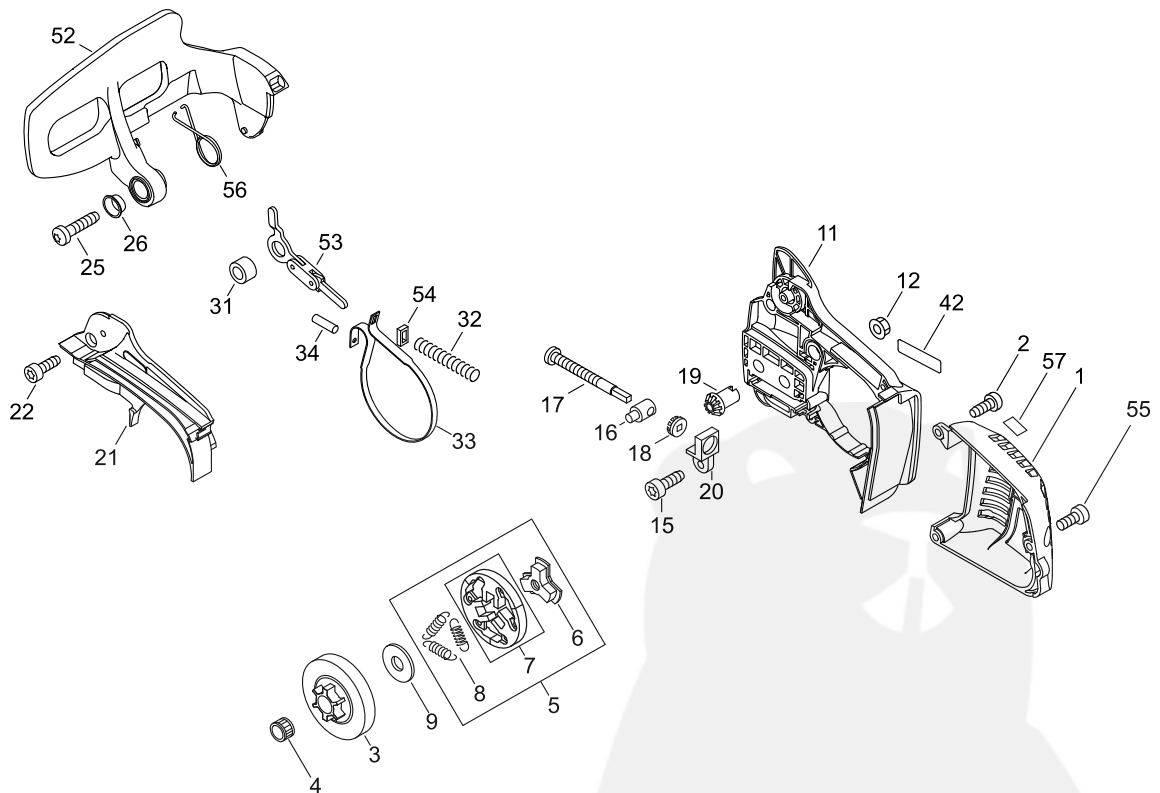
| KEY | LV | PART NUMBER | Q'TY | DESCRIPTION | REMARKS | NOTE1 | NOTE2 |
|-----|----|--------------|------|-------------------|-----------------|-------|-------|
| 1 | | A253-000090 | 1 | LEVER, CONTROL | | | |
| 2 | | A239-000000 | 1 | PIPE,INTAKE | | | |
| 3 | | P021-041820 | 1 | HANDLE SET, REAR | | | |
| 4 | + | 130020-33330 | 2 | NUT | | | |
| 5 | + | V804-000010 | 4 | BOLT, TORX 4 | TT-4*16 DG 10.9 | | |
| 7 | | C400-001150 | 1 | HANDLE, FRONT | | | |
| 9 | | C450-000731 | 1 | CONTROL, THROTTLE | | | |
| 10 | | C454-000491 | 1 | ROD, THROTTLE | | | |
| 11 | | V452-000010 | 1 | SPRING,TORSION | | | |
| 12 | | C460-000002 | 1 | LOCKOUT,THROTTLE | | | |
| 13 | | A240-000200 | 1 | ROD, CHOKE | | | |
| 15 | | V400-000070 | 3 | CUSHION,4 | | | |
| 16 | | V202-000000 | 3 | BOLT,4 | | | |
| 17 | | 100910-18830 | 1 | CUSHION | | | |
| 18 | | 100918-15130 | 4 | CAP | | | |
| 20 | | V486-000371 | 1 | TERMINAL,LEAD | | | |
| 21 | | V485-002441 | 1 | LEAD | | | |
| 25 | | 91481-04035 | 1 | SCREW TAPPING | | | |
| 26 | | V352-000020 | 1 | COLLAR,4 | | | |
| 27 | | C626-000070 | 1 | FIXTURE, HARNESS | | | |
| 28 | | C646-000100 | 1 | RING, HARNESS | | | |
| 29 | | V805-000140 | 1 | BOLT, TORX 5 | TB-5*12 10.9 | | |
| 30 | | A429-000160 | 1 | COVER,CAP | | | |

5. HANDLE



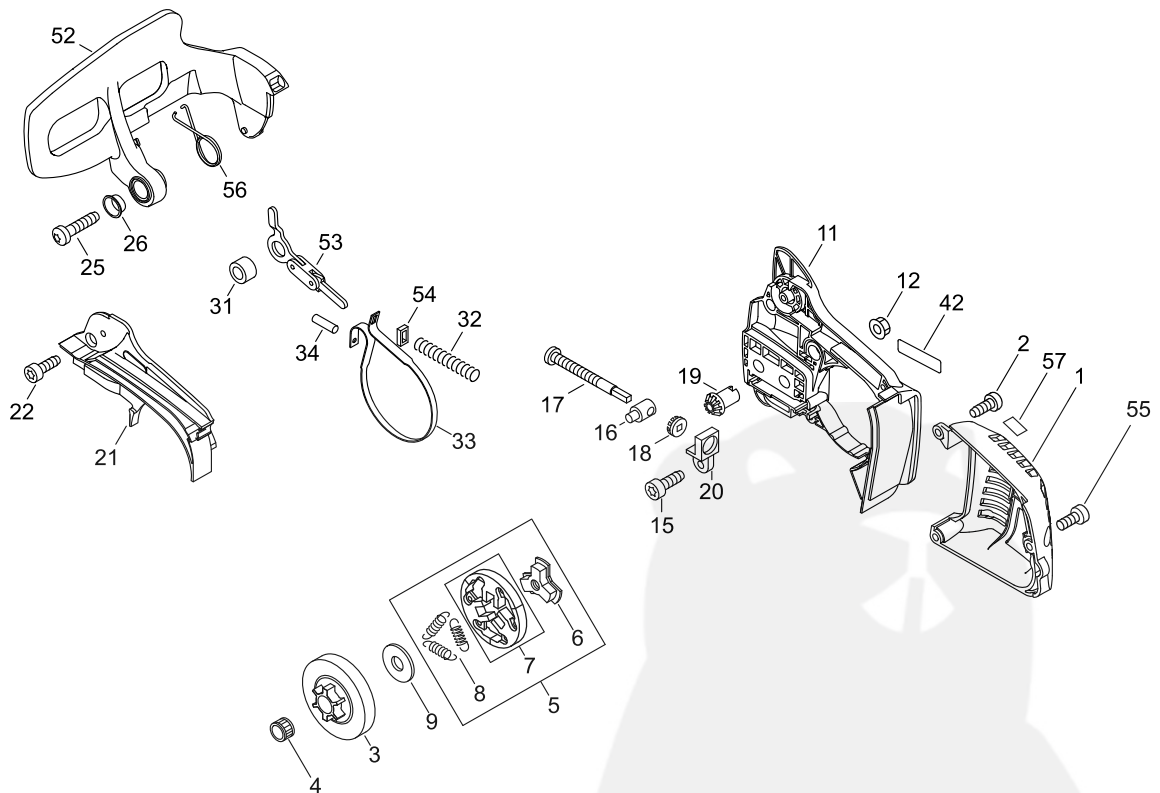
| KEY | LV | PART NUMBER | Q'TY | DESCRIPTION | REMARKS | NOTE1 | NOTE2 |
|-----|----|--------------|------|---------------|-----------------|-------|-------|
| 31 | | V805-000010 | 1 | BOLT, TORX 5 | TT-5*20 DG 10.9 | | |
| 34 | | V805-000010 | 1 | BOLT, TORX 5 | TT-5*20 DG 10.9 | | |
| 37 | | C401-000320 | 1 | PIECE,HANDLE | | | |
| 39 | | 890157-39131 | 1 | LABEL, SWITCH | | | |

6. CLUTCH, SPROCKET, CHAIN BRAKE



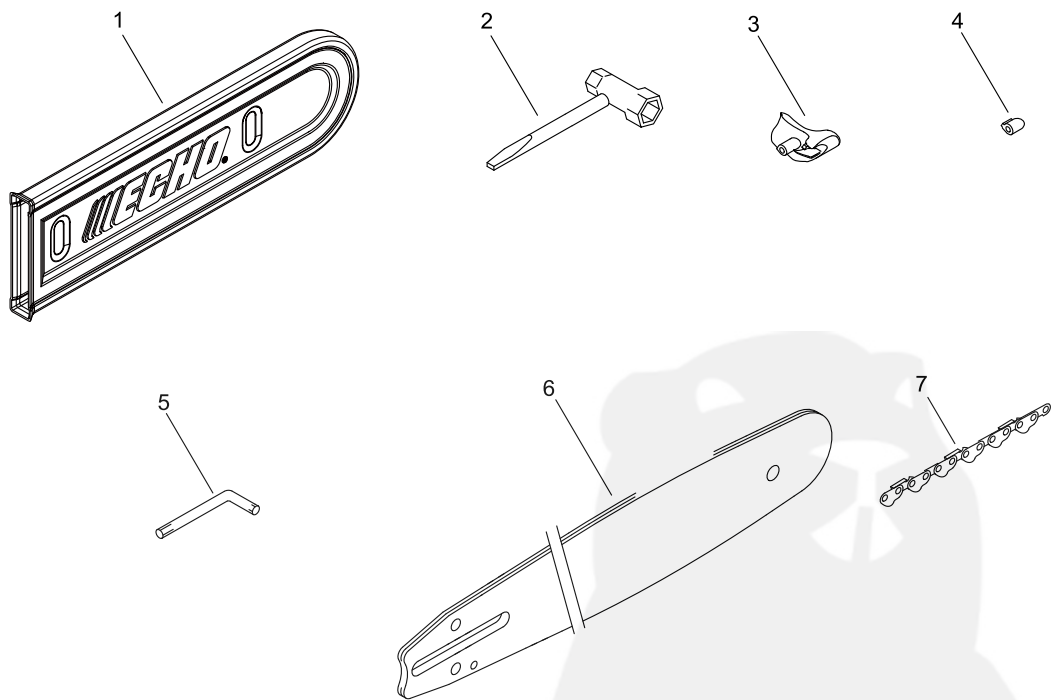
| KEY | LV | PART NUMBER | Q'TY | DESCRIPTION | REMARKS | NOTE1 | NOTE2 |
|-----|----|--------------|------|-------------------|-----------------|-------|-------|
| 1 | | A320-001080 | 1 | COVER,MUFFLER | FOR CAT MUFF | | |
| 2 | | V805-000010 | 2 | BOLT, TORX 5 | TT-5*20 DG 10.9 | | |
| 3 | | 175005-39133 | 1 | DRUM, CLUTCH | | | |
| 4 | | V555-000170 | 1 | BEARING,NEEDLE 10 | 8E-KV10*13*12.8 | | |
| 5 | | A056-000070 | 1 | CLUTCH | | | |
| 6 | + | A552-000020 | 1 | HUB,CLUTCH | | | |
| 7 | + | P021-005810 | 1 | CLUTCH SHOE SET | | | |
| 8 | + | V451-000470 | 3 | SPRING,TENSION | | | |
| 9 | | A551-000010 | 1 | PLATE,CLUTCH | | | |
| 11 | | C300-000952 | 1 | GUARD, SPROCKET | | | |
| 12 | | V265-000200 | 2 | NUT | | | |
| 15 | | V804-000000 | 1 | BOLT, TORX 4 | TT-4*12 DG 10.9 | | |
| 16 | | C309-000030 | 1 | TENSIONER,CHAIN | | | |
| 17 | | V203-000041 | 1 | BOLT,5 | | | |
| 18 | | V651-000011 | 1 | GEAR,BEVEL | | | |
| 19 | | V651-000001 | 1 | GEAR,BEVEL | | | |
| 20 | | V355-000140 | 1 | COLLAR,8 | | | |
| 21 | | C345-000520 | 1 | COVER,BRAKE | | | |
| 22 | | V804-000000 | 3 | BOLT, TORX 4 | TT-4*12 DG 10.9 | | |
| 25 | | V805-000240 | 1 | BOLT, TORX 5 | TT-5*12 DG 10.9 | | |

6. CLUTCH, SPROCKET, CHAIN BRAKE



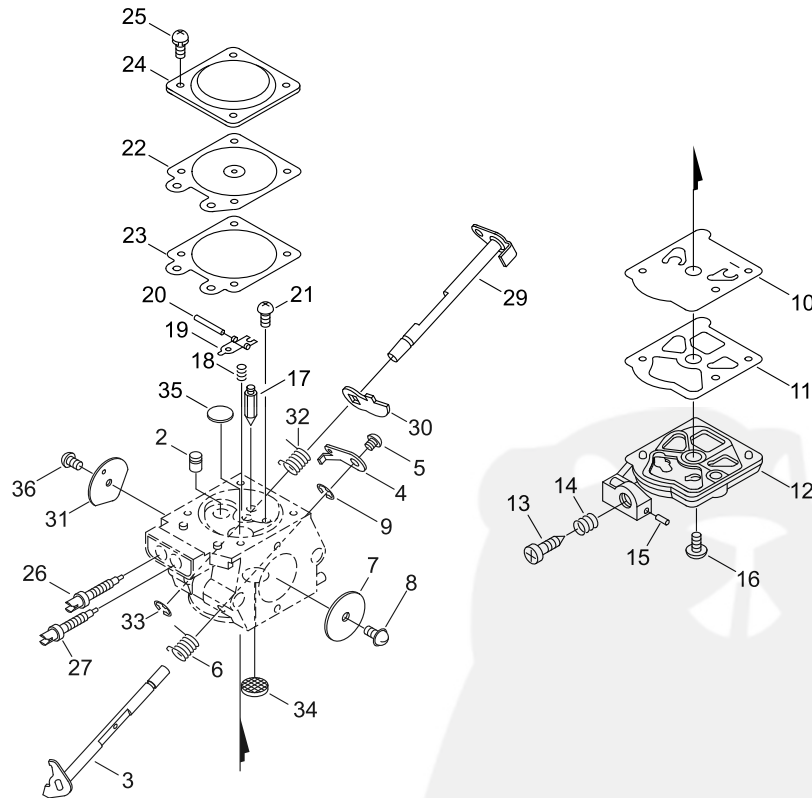
| KEY | LV | PART NUMBER | Q'TY | DESCRIPTION | REMARKS | NOTE1 | NOTE2 |
|-----|----|--------------|------|---------------------|--------------|-------|-------|
| 26 | | V356-000430 | 1 | COLLAR,10 | | | |
| 31 | | 433116-35430 | 1 | SPACER 8 | 8*12*9 | | |
| 32 | | V450-000070 | 1 | SPRING, COMPRESSION | | | |
| 33 | | C328-000310 | 1 | BAND, BRAKE | | | |
| 34 | | 93050-30098 | 1 | ROLLER | F3*9.8 | | |
| 42 | | X502-000340 | 1 | LABEL, ECHO | ECHO(WHITE) | | |
| 52 | | C320-000501 | 1 | LEVER, BRAKE | | | |
| 53 | | C334-000290 | 1 | CONNECTOR, BRAKE | | | |
| 54 | | V376-000450 | 1 | SPACER | | | |
| 55 | | V805-000150 | 1 | BOLT, TORX 5 | TB-5*16 10.9 | | |
| 56 | | V452-001380 | 1 | SPRING, TORSION | | | |
| 57 | | X505-007710 | 1 | LABEL, CAUTION | | | |

7. ACCESSORIES



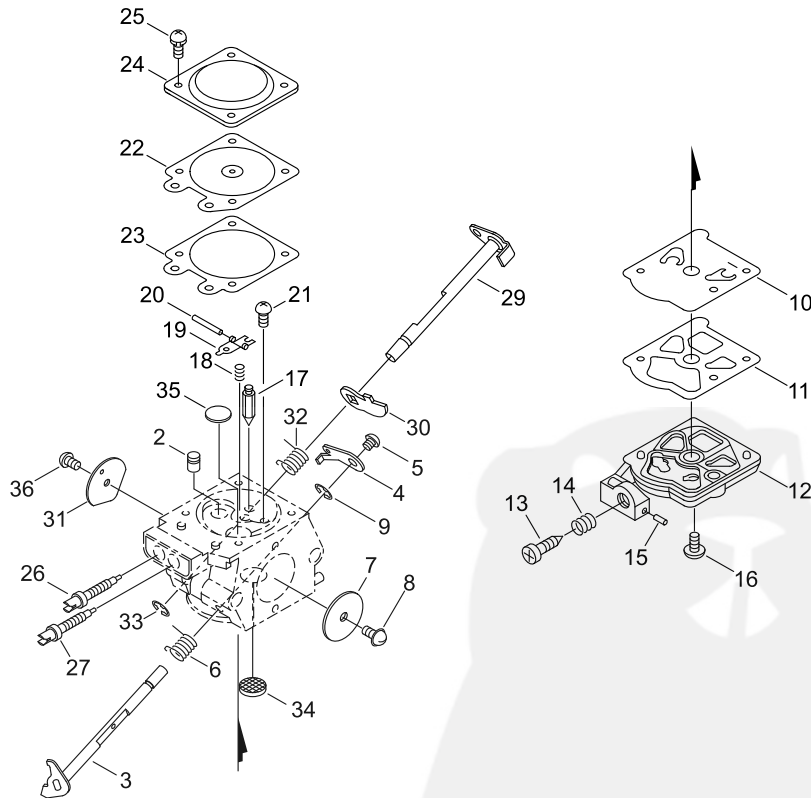
| KEY | LV | PART NUMBER | Q'TY | DESCRIPTION | REMARKS | NOTE1 | NOTE2 |
|-----|----|-------------|------|----------------|------------|-------|-------|
| 1 | | X490-000510 | 1 | SCABBARD,CHAIN | | | |
| 2 | | X602-000080 | 1 | TOOL,WRENCH | 13*19 L180 | | |
| 3 | | C401-000300 | 1 | PIECE,HANDLE | | | |
| 4 | | C401-000310 | 1 | PIECE,HANDLE | | | |
| 5 | | X605-000170 | 1 | TOOL,L WRENCH | | | |
| 6 | | X123-000550 | 1 | BAR,GUIDE 35 | 35RC50MDC- | | |
| 7 | | X223-000130 | 1 | CHAIN,SAW | 91PX-53E | | |

8. CARBURETOR



| KEY | LV | PART NUMBER | Q'TY | DESCRIPTION | REMARKS | NOTE1 | NOTE2 |
|-----|----|--------------|------|----------------------|---------|-------|-------|
| | | A021-004210 | 1 | CARBURETOR,DIAPHRAGM | ZAMA | | |
| 2 | + | P005-003130 | 1 | NOZZLE, CHECK VALVE | | | |
| 3 | + | P005-003140 | 1 | SHAFT ASY.THROTTLE | | | |
| 4 | + | P005-003150 | 1 | LEVER, THROTTLE | | | |
| 5 | + | 125348-13930 | 1 | SCREW | | | |
| 6 | + | P005-000790 | 1 | SPRING, THRT.RETURN | | | |
| 7 | + | P005-003160 | 1 | VALVE, THROTTLE | | | |
| 8 | + | P005-003170 | 1 | SCREW | | | |
| 9 | + | 125327-13930 | 1 | CLIP | | | |
| 10 | + | P005-001110 | 1 | DIAPHRAGM, PUMP | | | |
| 11 | + | 125325-08360 | 1 | GASKET, PUMP | | | |
| 12 | + | P005-003180 | 1 | COVER, PUMP | | | |
| 13 | + | 125344-08560 | 1 | SCREW | | | |
| 14 | + | 125333-33330 | 1 | SPRING, IDLE ADJUST | | | |
| 15 | + | 125378-13930 | 1 | PIECE, FRICTION | | | |
| 16 | + | 125310-13930 | 1 | SCREW | | | |
| 17 | + | 125337-08260 | 1 | VALVE, INLET NEEDLE | | | |
| 18 | + | 125322-13930 | 1 | SPRING, COIL | | | |
| 19 | + | 125323-08260 | 1 | ARM, VALVE | | | |
| 20 | + | 125338-13930 | 1 | PIN, METERING ARM | | | |
| 21 | + | 125339-13930 | 1 | SCREW | | | |
| 22 | + | P005-003190 | 1 | DIAPHRAGM ,METERING | | | |
| 23 | + | P005-003200 | 1 | GASKET, METERING | | | |
| 24 | + | P005-003210 | 1 | COVER, METERING | | | |
| 25 | + | P005-003220 | 4 | SCREW | | | |

8. CARBURETOR



| KEY | LV | PART NUMBER | Q'TY | DESCRIPTION | REMARKS | NOTE1 | NOTE2 |
|-----|----|--------------|------|----------------------|---------|-------|-------|
| 26 | + | P005-002370 | 1 | NEEDLE, HIGH SPEED | | | |
| 27 | + | P005-002380 | 1 | NEEDLE, IDLE | | | |
| 29 | + | P005-002390 | 1 | SHAFT, CHOKE | | | |
| 30 | + | P005-003230 | 1 | LEVER, CHOKE | | | |
| 31 | + | P005-003240 | 1 | VALVE, CHOKE | | | |
| 32 | + | P005-000880 | 1 | SPRING, CHOKE RETURN | | | |
| 33 | + | 125327-15130 | 1 | CLIP | | | |
| 34 | + | P005-000860 | 1 | SCREEN, FUEL INLET | | | |
| 35 | + | P005-002400 | 1 | PLUG, WELCH | | | |
| 36 | + | 125314-51230 | 1 | SCREW | 3*4.5 | | |

9. GUIDE BAR, CHAIN

| Pitch ピッチ (inch) (mm) | Gauge ゲージ (inch) (mm) | Length 長さ (cm) | Guide Bar ガイドバー | | Saw Chain ソーチェーン | | Hard Nose ハード ノーズ  | Sprocket Nose スプロケット ノーズ  |
|------------------------------------|------------------------------------|--------------------------|--------------------|-----------------|---------------------|------------|---|--|
| | | | Key № | Type 形式 | Key № | Type 形式 | | |
| 3/8 9.53 | 0,050 1,27 | 30 | A1 | 30RC50MDC-3/8EC | A2 | 91PX-47E | | ● |
| 3/8 9.53 | 0,050 1,27 | 35 | B1 | 35RC50MDC-3/8EC | B2 | 91PX-53E | | ● |
| 1/4 6.35 | 0,050 1,27 | 30 | C1 | 30C50SL | C2 | 25A-68E | ● | |
| | | | | | C3 | 25AP-68E | | |
| 1/4 6.35 | 0,050 1,27 | 35 | D1 | 35C50SL | D2 | 25A-76E | ● | |
| | | | | | D3 | 25AP-76E | | |

| KEY | LV | PART NUMBER | Q'TY | DESCRIPTION | REMARKS | NOTE1 | NOTE2 |
|-----|----|--------------|------|---------------------|--------------|-------|-------|
| A1 | | X122-000340 | 1 | BAR,GUIDE 30 | 3/8EC | | |
| A2 | | X222-000140 | 1 | CHAIN,SAW | 91PX-47E | | |
| B1 | | X123-000550 | 1 | BAR,GUIDE 35 | 35RC50MDC- | | |
| B2 | | X223-000130 | 1 | CHAIN,SAW | 91PX-53E | | |
| C1 | | X102-000070 | 1 | BAR,GUIDE 30 | 30C50SL ECHO | | |
| C2 | | X202-000010 | 1 | CHAIN,SAW | 25A-68E | | |
| C3 | | 431611-10030 | 1 | CHAIN, SAW 25AP-68E | 25AP-68E | | |
| D1 | | X103-000110 | 1 | BAR,GUIDE 35 | 35C50SL ECHO | | |
| D2 | | X203-000000 | 1 | CHAIN,SAW | 25A-76E | | |
| D3 | | 431612-10030 | 1 | CHAIN, SAW 25AP-76E | 25AP-76E | | |

Index

| Patrs Number | Key No. | Patrs Number | Key No. | Patrs Number | Key No. |
|---------------------|----------------|---------------------|----------------|---------------------|----------------|
| 100013-15330 | 1 - 5 | A021-004210 | 2 - 9 | C460-000002 | 5 - 12 |
| 100014-60930 | 1 - 7 | A021-004210 | 8 - | C626-000070 | 5 - 27 |
| 100015-04630 | 1 - 6 | A051-002510 | 3 - 20 | C646-000100 | 5 - 28 |
| 100142-12330 | 1 - 30 | A056-000070 | 6 - 5 | P005-000790 | 8 - 6 |
| 100910-18830 | 5 - 17 | A101-000670 | 1 - 4 | P005-000860 | 8 - 34 |
| 100918-15130 | 5 - 18 | A127-000370 | 1 - 20 | P005-000880 | 8 - 32 |
| 123181-39130 | 4 - 19 | A172-002090 | 3 - 30 | P005-001110 | 8 - 10 |
| 125310-13930 | 8 - 16 | A190-001151 | 1 - 23 | P005-002370 | 8 - 26 |
| 125314-51230 | 8 - 36 | A202-000231 | 1 - 31 | P005-002380 | 8 - 27 |
| 125322-13930 | 8 - 18 | A225-000611 | 2 - 11 | P005-002390 | 8 - 29 |
| 125323-08260 | 8 - 19 | A226-001820 | 2 - 15 | P005-002400 | 8 - 35 |
| 125325-08360 | 8 - 11 | A228-000030 | 2 - 16 | P005-003130 | 8 - 2 |
| 125327-13930 | 8 - 9 | A232-001652 | 2 - 13 | P005-003140 | 8 - 3 |
| 125327-15130 | 8 - 33 | A235-000361 | 2 - 14 | P005-003150 | 8 - 4 |
| 125333-33330 | 8 - 14 | A239-000000 | 5 - 2 | P005-003160 | 8 - 7 |
| 125337-08260 | 8 - 17 | A240-000200 | 5 - 13 | P005-003170 | 8 - 8 |
| 125338-13930 | 8 - 20 | A244-000280 | 2 - 12 | P005-003180 | 8 - 12 |
| 125339-13930 | 8 - 21 | A253-000090 | 5 - 1 | P005-003190 | 8 - 22 |
| 125344-08560 | 8 - 13 | A300-001840 | 2 - 2 | P005-003200 | 8 - 23 |
| 125348-13930 | 8 - 5 | A310-000431 | 2 - 4 | P005-003210 | 8 - 24 |
| 125378-13930 | 8 - 15 | A312-000070 | 2 - 8 | P005-003220 | 8 - 25 |
| 130020-33330 | 5 - 4 | A313-001980 | 2 - 3 | P005-003230 | 8 - 30 |
| 131205-14931 | 4 - 18 | A320-001080 | 6 - 1 | P005-003240 | 8 - 31 |
| 131300-56431 | 4 - 23 | A365-000050 | 4 - 26 | P021-005581 | 4 - 27 |
| 132012-11960 | 4 - 8 | A365-000050 | 4 - 29 | P021-005591 | 4 - 24 |
| 132115-01461 | 4 - 11 | A409-001240 | 3 - 1 | P021-005810 | 6 - 7 |
| 132115-44330 | 4 - 13 | A411-001500 | 3 - 8 | P021-039160 | 1 - 9 |
| 150117-16430 | 3 - 19 | A425-000000 | 3 - 15 | P021-041820 | 5 - 3 |
| 156110-04920 | 3 - 10 | A426-000010 | 3 - 13 | P021-045430 | 1 - 1 |
| 175005-39133 | 6 - 3 | A427-000013 | 3 - 12 | P021-045440 | 1 - 3 |
| 177234-35430 | 3 - 3 | A429-000160 | 5 - 30 | P021-045450 | 2 - 1 |
| 177236-61830 | 3 - 21 | A514-000270 | 3 - 4 | P022-001330 | 3 - 26 |
| 177247-04630 | 3 - 5 | A551-000010 | 6 - 9 | P022-005891 | 3 - 27 |
| 431611-10030 | 9 - C3 | A552-000020 | 6 - 6 | P022-008440 | 3 - 25 |
| 431612-10030 | 9 - D3 | C022-000020 | 4 - 2 | P022-036660 | 3 - 24 |
| 433026-35430 | 1 - 25 | C300-000952 | 6 - 11 | P022-036670 | 3 - 23 |
| 433116-35430 | 6 - 31 | C304-000000 | 1 - 27 | P022-036680 | 3 - 22 |
| 436114-13930 | 4 - 31 | C305-000430 | 1 - 15 | P022-037160 | 3 - 32 |
| 436205-02832 | 4 - 12 | C309-000030 | 6 - 16 | V104-001960 | 2 - 18 |
| 890157-39131 | 5 - 39 | C320-000501 | 6 - 52 | V104-001980 | 2 - 6 |
| 900242-04010 | 2 - 5 | C328-000310 | 6 - 33 | V137-000000 | 4 - 22 |
| 900515-00008 | 3 - 2 | C334-000290 | 6 - 53 | V186-000530 | 4 - 34 |
| 900603-00005 | 3 - 6 | C345-000520 | 6 - 21 | V187-000010 | 4 - 7 |
| 900720-00018 | 4 - 25 | C400-001150 | 5 - 7 | V202-000000 | 5 - 16 |
| 900720-00018 | 4 - 28 | C401-000300 | 7 - 3 | V203-000041 | 6 - 17 |
| 900724-00004 | 4 - 30 | C401-000310 | 7 - 4 | V203-000080 | 3 - 7 |
| 91481-04035 | 5 - 25 | C401-000320 | 5 - 37 | V225-000262 | 1 - 17 |
| 93050-30098 | 6 - 34 | C450-000731 | 5 - 9 | V265-000200 | 6 - 12 |
| 94035-36201 | 1 - 10 | C454-000491 | 5 - 10 | V308-000030 | 4 - 3 |

Index

| Patrs Number | Key No. | Patrs Number | Key No. | Patrs Number | Key No. |
|---------------------|----------------|---------------------|----------------|---------------------|----------------|
| V311-000170 | 1 - 33 | V805-000210 | 1 - 2 | | |
| V351-000000 | 1 - 36 | V805-000210 | 1 - 19 | | |
| V352-000020 | 5 - 26 | V805-000210 | 3 - 18 | | |
| V355-000140 | 6 - 20 | V805-000240 | 6 - 25 | | |
| V356-000290 | 4 - 5 | V805-000250 | 2 - 7 | | |
| V356-000430 | 6 - 26 | X102-000070 | 9 - C1 | | |
| V376-000450 | 6 - 54 | X103-000110 | 9 - D1 | | |
| V400-000070 | 5 - 15 | X122-000340 | 9 - A1 | | |
| V450-000070 | 6 - 32 | X123-000550 | 7 - 6 | | |
| V451-000470 | 6 - 8 | X123-000550 | 9 - B1 | | |
| V451-001411 | 1 - 34 | X202-000010 | 9 - C2 | | |
| V452-000010 | 5 - 11 | X203-000000 | 9 - D2 | | |
| V452-001380 | 6 - 56 | X222-000140 | 9 - A2 | | |
| V470-001910 | 1 - 35 | X223-000130 | 7 - 7 | | |
| V471-000740 | 4 - 10 | X223-000130 | 9 - B2 | | |
| V471-002290 | 4 - 16 | X490-000510 | 7 - 1 | | |
| V471-003380 | 4 - 20 | X502-000340 | 6 - 42 | | |
| V471-003390 | 4 - 33 | X502-000410 | 3 - 31 | | |
| V471-003400 | 4 - 21 | X503-012640 | 2 - 17 | | |
| V471-003410 | 4 - 32 | X505-002441 | 1 - 37 | | |
| V475-001900 | 3 - 9 | X505-007710 | 6 - 57 | | |
| V475-002390 | 3 - 11 | X505-007760 | 1 - 38 | | |
| V485-002430 | 3 - 16 | X602-000080 | 7 - 2 | | |
| V485-002441 | 5 - 21 | X605-000170 | 7 - 5 | | |
| V486-000371 | 5 - 20 | | | | |
| V490-001230 | 4 - 9 | | | | |
| V490-001240 | 4 - 17 | | | | |
| V505-000011 | 1 - 11 | | | | |
| V553-000130 | 1 - 8 | | | | |
| V555-000170 | 6 - 4 | | | | |
| V651-000001 | 6 - 19 | | | | |
| V651-000011 | 6 - 18 | | | | |
| V652-000030 | 4 - 4 | | | | |
| V804-000000 | 1 - 18 | | | | |
| V804-000000 | 6 - 15 | | | | |
| V804-000000 | 6 - 22 | | | | |
| V804-000010 | 5 - 5 | | | | |
| V804-000050 | 4 - 6 | | | | |
| V804-000060 | 3 - 28 | | | | |
| V805-000000 | 1 - 28 | | | | |
| V805-000010 | 1 - 26 | | | | |
| V805-000010 | 5 - 31 | | | | |
| V805-000010 | 5 - 34 | | | | |
| V805-000010 | 6 - 2 | | | | |
| V805-000080 | 2 - 10 | | | | |
| V805-000140 | 1 - 32 | | | | |
| V805-000140 | 5 - 29 | | | | |
| V805-000150 | 6 - 55 | | | | |
| V805-000180 | 1 - 24 | | | | |

YAMABIKO CORPORATION

7-2 SUEHIROCHO 1-CHOME, OHME, TOKYO 198-8760, JAPAN
PHONE: 81-428-32-6118. FAX: 81-428-32-6145.



ECHO[®]

14Db
No. 06-246