

shindaiwa[®]

PARTS CATALOG

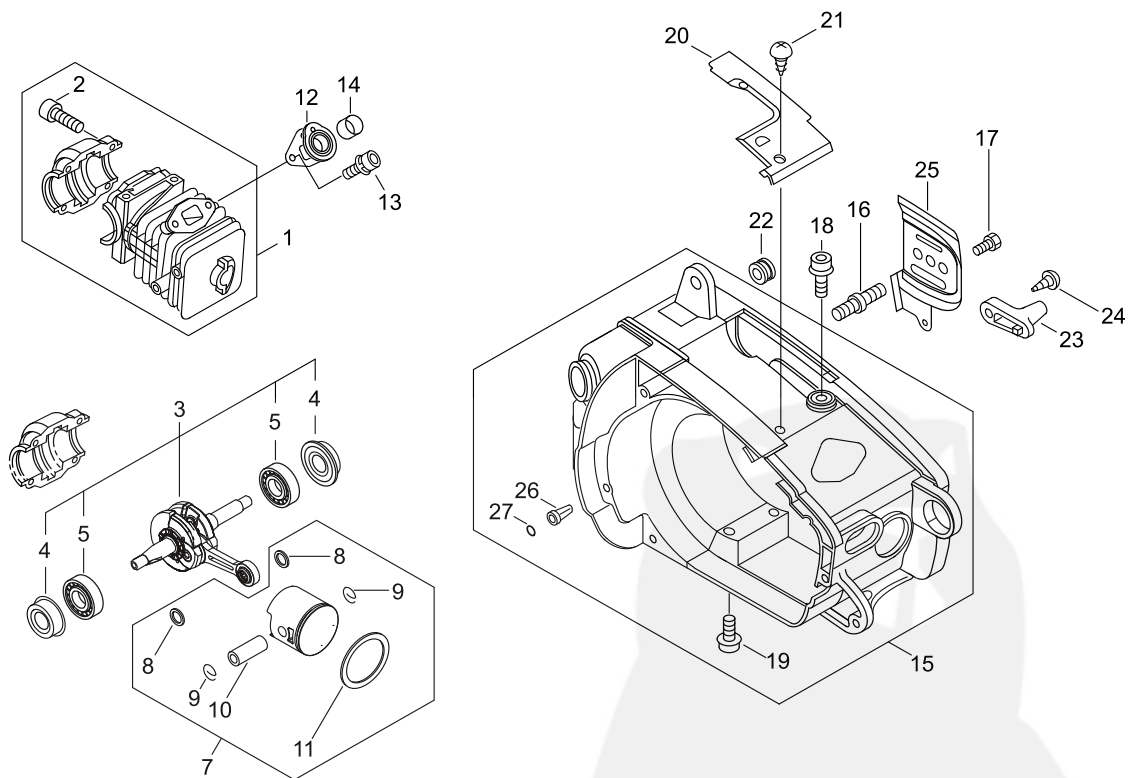
TOP HANDLE SAW 280TS(37)

37002051 -

CE

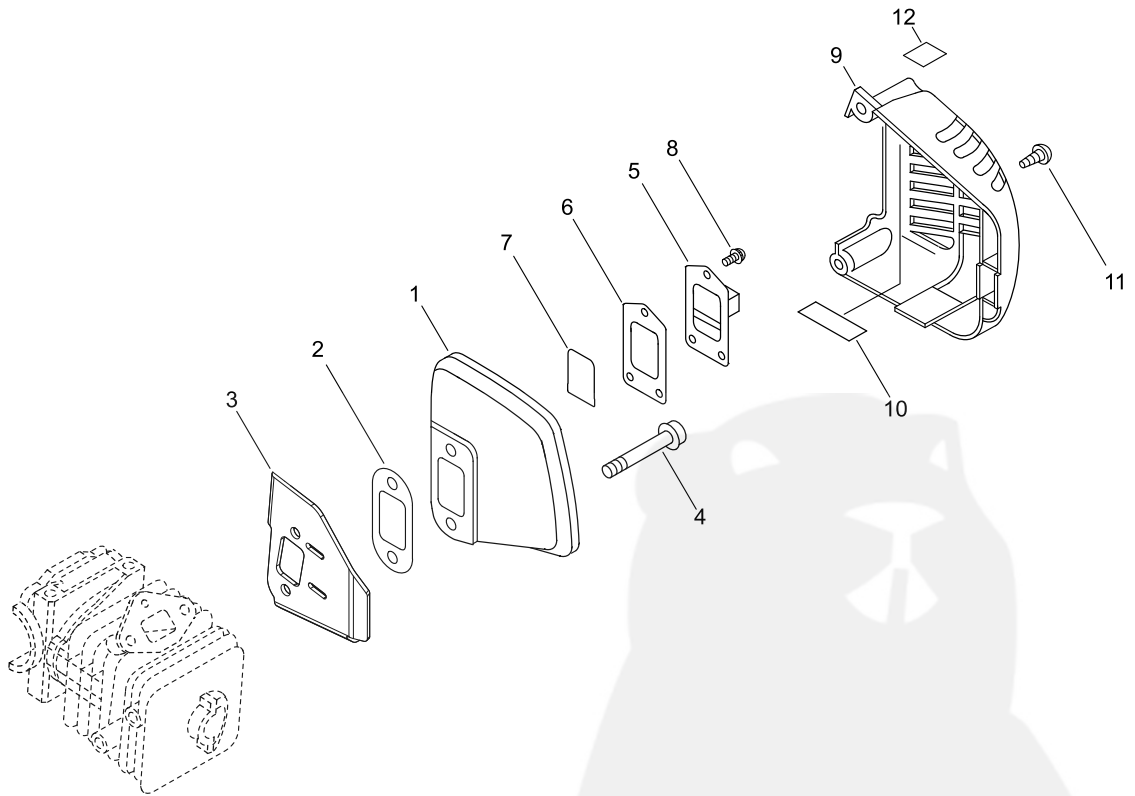
P016-001821-14Db

1. CYLINDER, CRANKCASE, PISTON



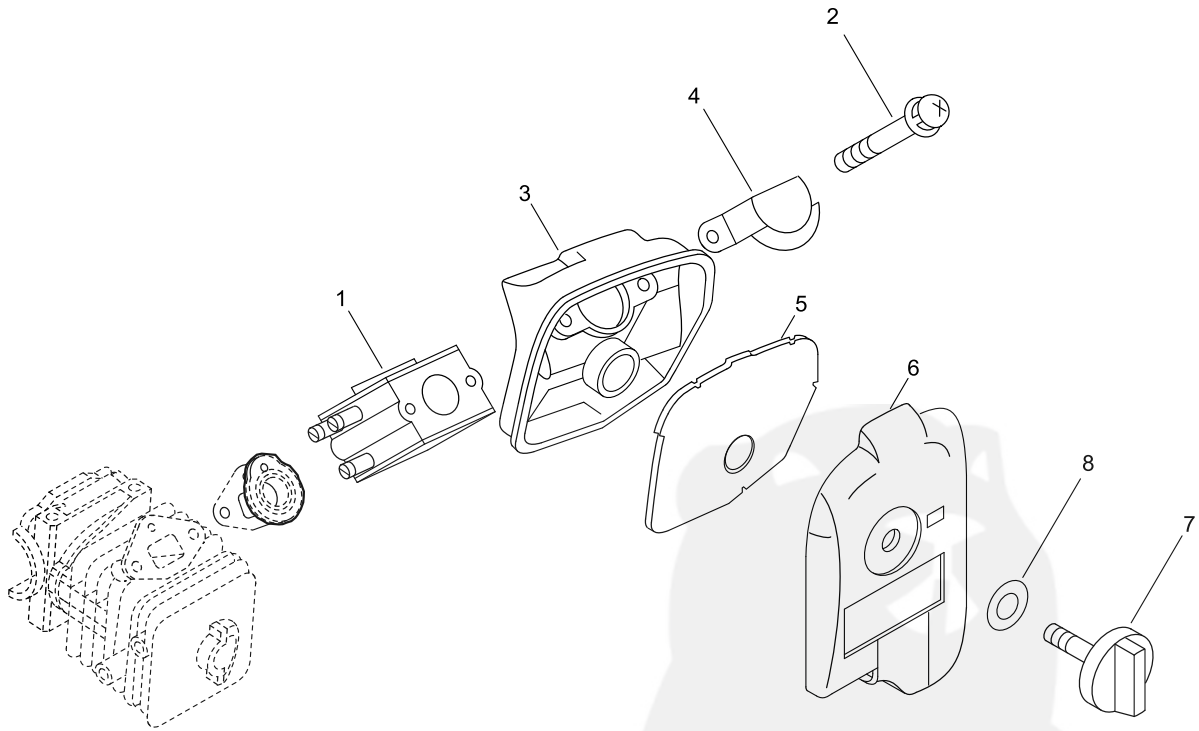
KEY	LV	PART NUMBER	Q'TY	DESCRIPTION	REMARKS	NOTE1	NOTE2
1		P021-044050	1	CYLINDER KIT	CS-271T		
2	+	900162-05022	4	BOLT, H.S. 5*22	5*22 W,SW		
3		P021-038072	1	CRANKSHAFT ASY			
4	+	V505-000001	2	SEAL,OIL	12*28*5.5		
5	+	900800-36001	2	BEARING, BALL 6001	6001/C3		
7		P021-044060	1	PISTON KIT	CS-271T		
8	+	100014-11520	2	SPACER, PISTON PIN			
9	+	100015-04630	2	CIRCLIP, PISTON PIN			
10	+	100013-22330	1	PIN, PISTON			
11	+	A101-000630	1	RING, PISTON			
12		A202-000001	1	BELLOWS,INTAKE			
13		900162-04012	2	BOLT, H.S. 4*12	4*12 W,SW		
14		V358-000021	1	COLLAR,14			
15		P021-003418	1	COVER ENGINE			
19	+	900106-05025	2	BOLT, H.S. 5*25	5*25		
26	+	436114-13930	1	VALVE, CHECK			
27	+	900724-00004	1	O-RING (S-4)	S-4		
16		V225-000031	1	BOLT,STUD 8	M8		
17		V202-000011	2	BOLT,4	4*12		
18		900106-05016	2	BOLT, H.S. 5*16	5*16		
20		A127-000041	1	COVER,DUST			
21		900253-04012	2	SCREW	4*12		
22		163911-30130	1	PLUG			
23		433026-35430	1	CATCHER, CHAIN			
24		900253-05020	1	SCREW 5*20	5*20		
25		C305-000023	1	PLATE,SPROCKET GUARD			

2. MUFFLER



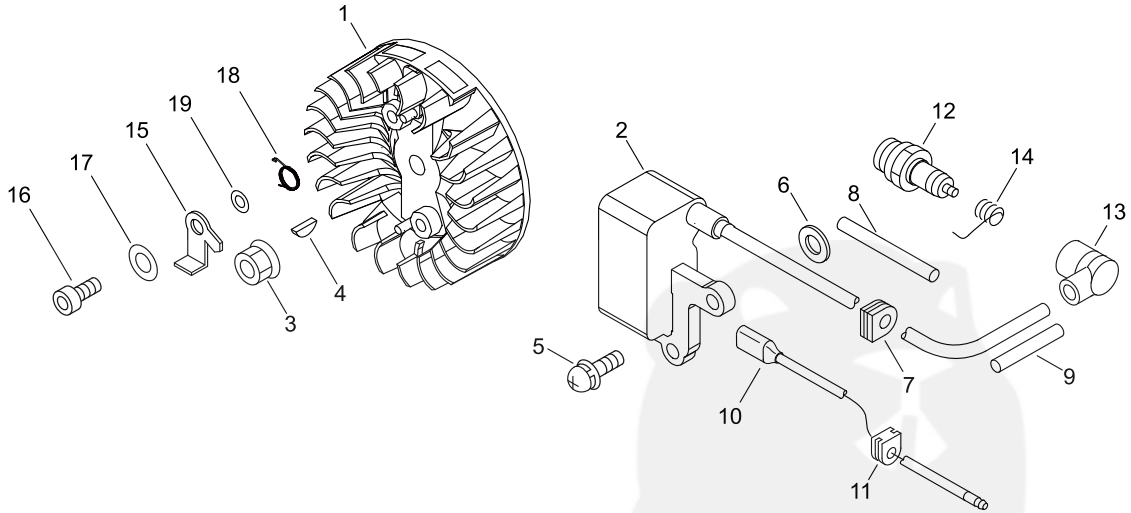
KEY	LV	PART NUMBER	Q'TY	DESCRIPTION	REMARKS	NOTE1	NOTE2
1		A300-001641	1	MUFFLER, EXHAUST			
2		V104-001860	1	GASKET, EXHAUST			
3		A312-000060	1	PLATE, EXHUST			
4		91107-05045	2	BOLT HSH FLANGE	M5*45		
5		A313-001970	1	GUIDE, EXHAUST	T0.6		
6		V104-001850	1	GASKET, EXHAUST			
7		A310-000420	1	SCREEN, ARRESTOR			
8		900242-04008	3	SCREW	4*8		
9		A320-001070	1	COVER, MUFFLER			
10		V341-000180	1	WASHER, SQUARE	54*14 T0.15		
11		900253-04016	2	SCREW 4*16	4*16		
12		X505-007710	1	LABEL, CAUTION			

3. AIR CLEANER



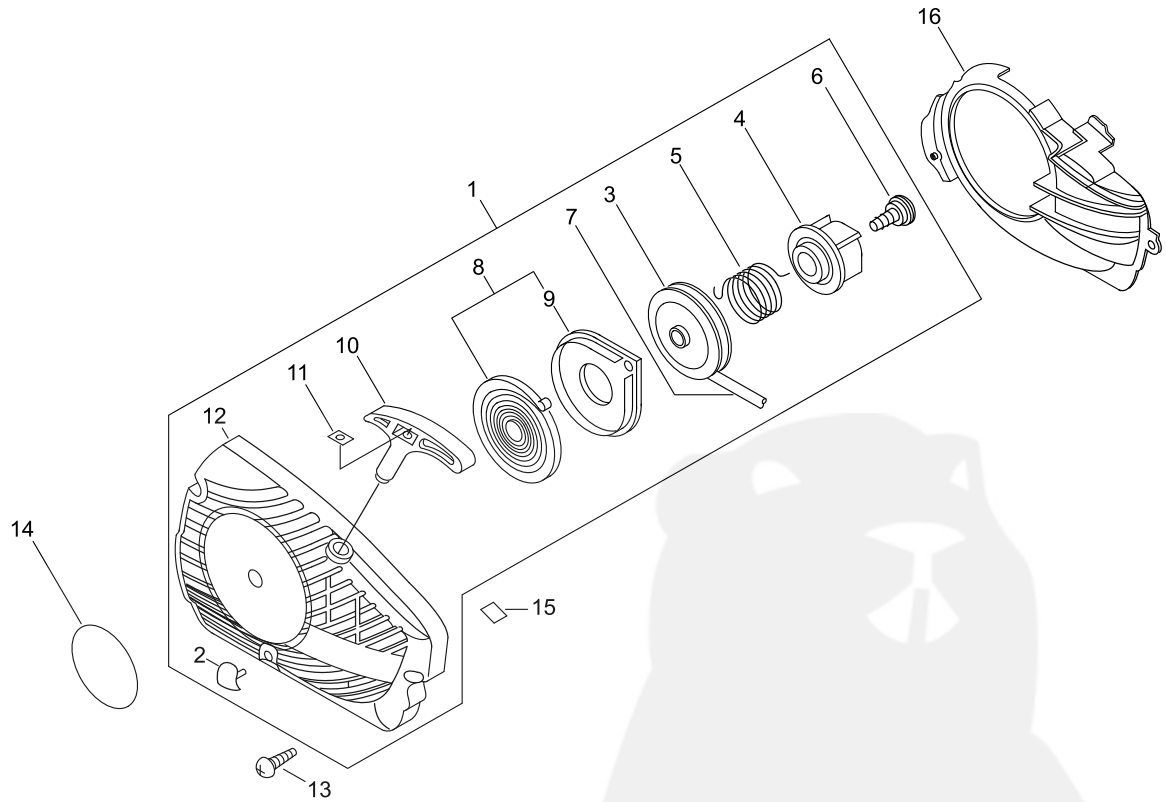
KEY	LV	PART NUMBER	Q'TY	DESCRIPTION	REMARKS	NOTE1	NOTE2
1		A021-004200	1	CARBURETOR,DIAPHRAGM	WT1091		
2		900238-05050	2	SCREW 5*50	5*50		
3		A225-000025	1	CASE,CLEANER			
4		A244-000000	1	PLATE,PREVENT			
5		A226-000051	1	ELEMENT,AIR FILTER			
6		A232-000241	1	LID,CLEANER			
7		A235-000090	1	KNOB,CLEANER LID			
8		131925-02310	1	CUSHION			

4. MAGNETO



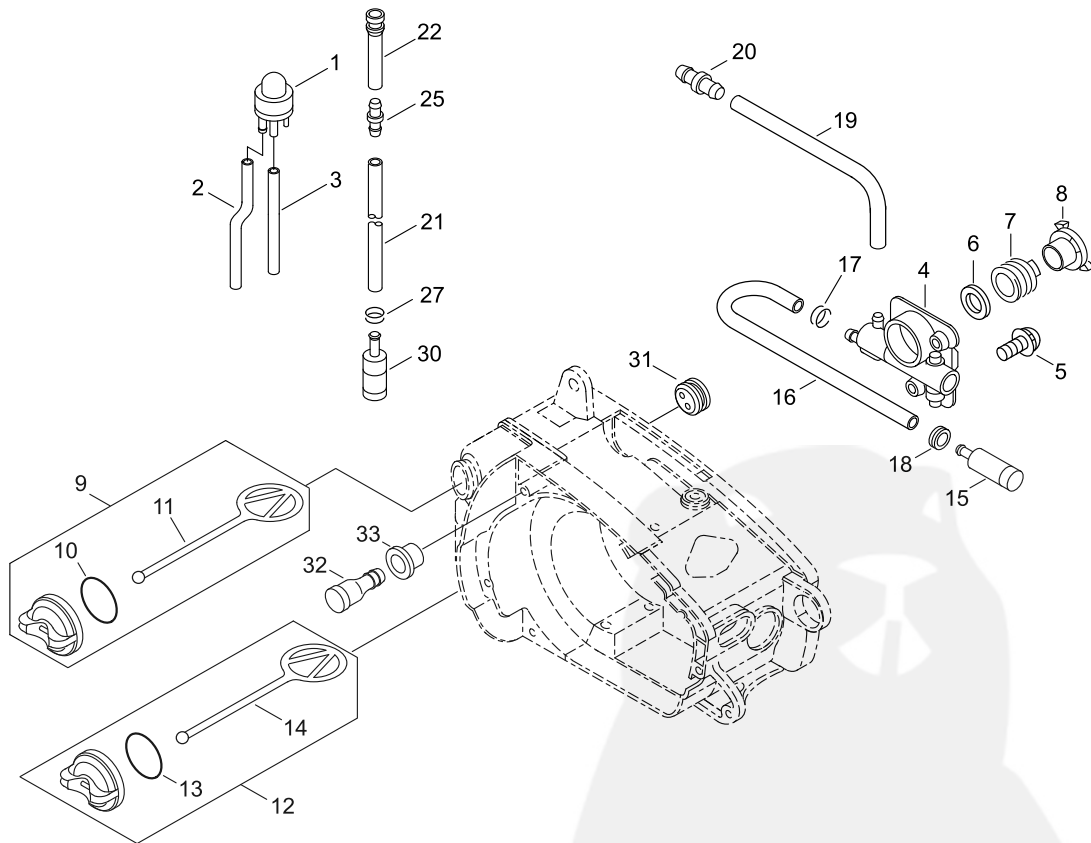
KEY	LV	PART NUMBER	Q'TY	DESCRIPTION	REMARKS	NOTE1	NOTE2
1		A409-001130	1	ROTOR, MAGNETO			
2		A411-001510	1	COIL, IGNITION			
3		900515-00008	1	NUT, FLANGE 8	8		
4		100142-12330	1	KEY, WOODRUFF			
5		900238-05018	2	SCREW 5*18	5*18		
6		150117-16430	2	SPACER			
7		156110-04920	1	BUSHING			
8		V475-001900	1	TUBE	7*8.6*30		
9		V475-003550	1	TUBE	HST-10 7*8.6*50		
10		V485-000140	1	LEAD			
11		156114-07320	1	GROMMET			
12		A425-000000	1	SPARKPLUG	BPMR8Y		
13		A427-000013	1	CAP, SPARK PLUG			
14		A426-000010	1	TERMINAL, SPARKPLUG			
15		A514-000020	2	PAWL			
16		V203-000080	2	BOLT, 5	5*14		
17		900603-00005	2	WASHER 5	5.5*12*0.8		
18		V452-000030	2	SPRING, TORSION			
19		177247-04630	2	SPACER, RATCHET	5.2*8*2.1		

5. RECOIL STARTER



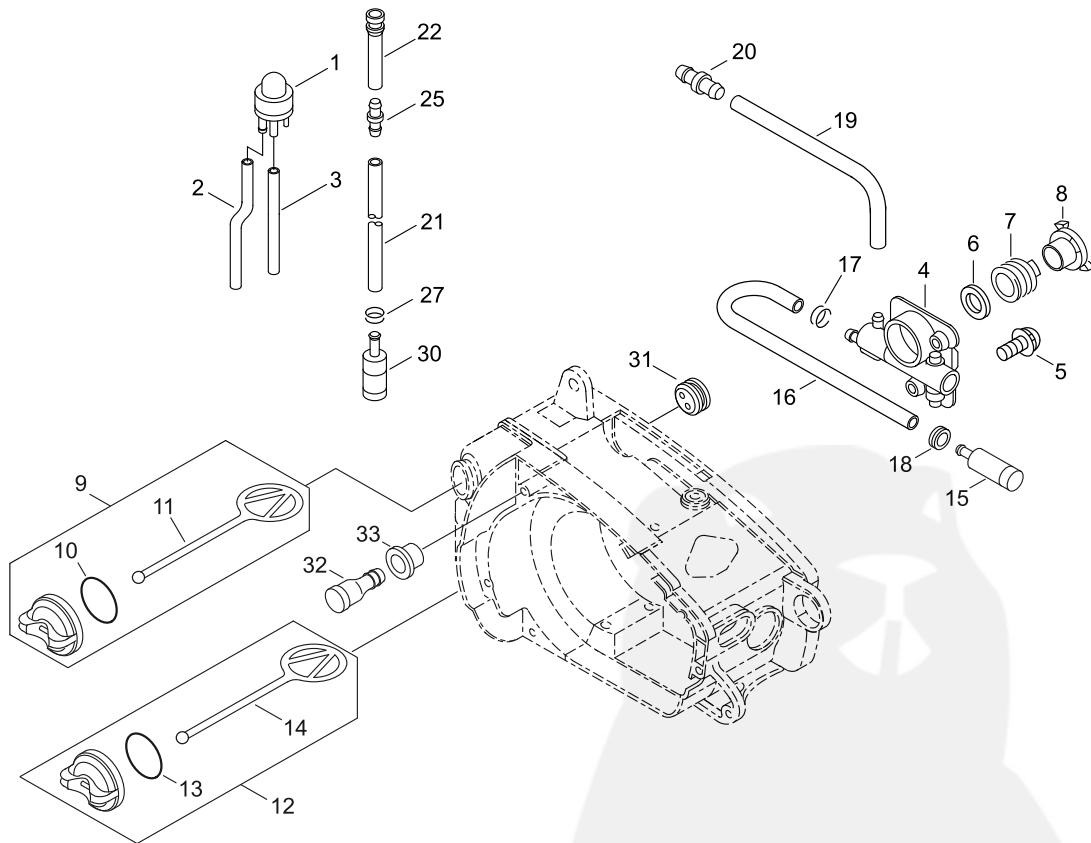
KEY	LV	PART NUMBER	Q'TY	DESCRIPTION	REMARKS	NOTE1	NOTE2
1		A051-002560	1	STARTER,RECOIL			
2	+	V162-000180	1	PLUG			
3	+	A506-000460	1	REEL,ROPE			
4	+	A507-000110	1	CATCHER,PAWL			
5	+	V452-001320	1	SPRING,TORSION			
6	+	177236-61830	1	SCREW			
7	+	P022-006220	1	ROPE			
8	+	P022-001330	1	SPRING KIT, REWIND			
9	++	P022-033280	1	SPRING CASE			
10	+	P022-001320	1	GRIP, STARTER			
11	+	177246-11120	1	CLIP, STARTER ROPE			
12	+	P022-037540	1	STARTER,RECOIL			
13		900256-04016	3	SCREW 4*16			
14		X503-012610	1	LABEL,MODEL	280TS		
15		X505-006921	1	LABEL,CAUTION	13000R/MIN		
16		A172-002040	1	COVER,FAN			

6. AUTO-OILER, FUEL PIPE



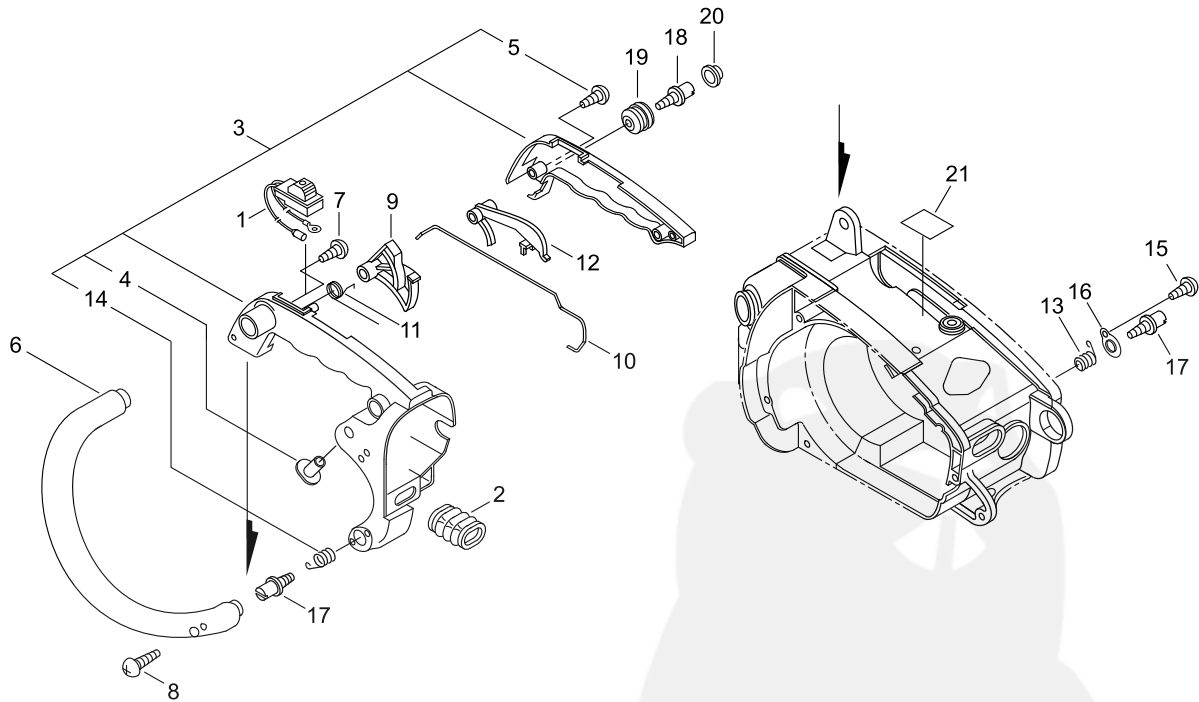
KEY	LV	PART NUMBER	Q'TY	DESCRIPTION	REMARKS	NOTE1	NOTE2
1		123181-39130	1	PUMP, PRIMER			
2		V471-001251	1	PIPE	2.4*5*258		
3		V471-001261	1	PIPE	2.4*5*153		
4		C022-000020	1	AUTO-OILER ASSEMBLY			
5		900238-04012	2	SCREW 4*12	4*12		
6		V308-000030	1	WASHER,CIRCULAR 11	10.5*17.4*1.8		
7		V652-000030	1	GEAR,WORM			
8		V356-000290	1	COLLAR,10			
9		P021-005601	1	FUEL CAP ASY			
10	+	900720-00018	1	O-RING 18	P-18		
11	+	A365-000050	1	CONNECTOR,CAP			
12		P021-005581	1	OIL CAP ASY			
13	+	900720-00018	1	O-RING 18	P-18		
14	+	A365-000050	1	CONNECTOR,CAP			
15		436205-02832	1	STRAINER, OIL			
16		132010-22130	1	PIPE, FUEL	3*6*150L NBR		
17		V490-001230	1	CLIP			
18		132115-01461	1	GROMMET			
19		132012-11960	1	PIPE 3* 6* 45	3*6*45 NBR		
20		V187-000010	1	NIPPLE			
21		V471-001230	1	PIPE	3*5*210 NBR		
22		V470-000321	1	PIPE	10*6*L32		
25		V186-000510	1	JOINT,PIPE			
27		V490-001240	1	CLIP			

6. AUTO-OILER, FUEL PIPE



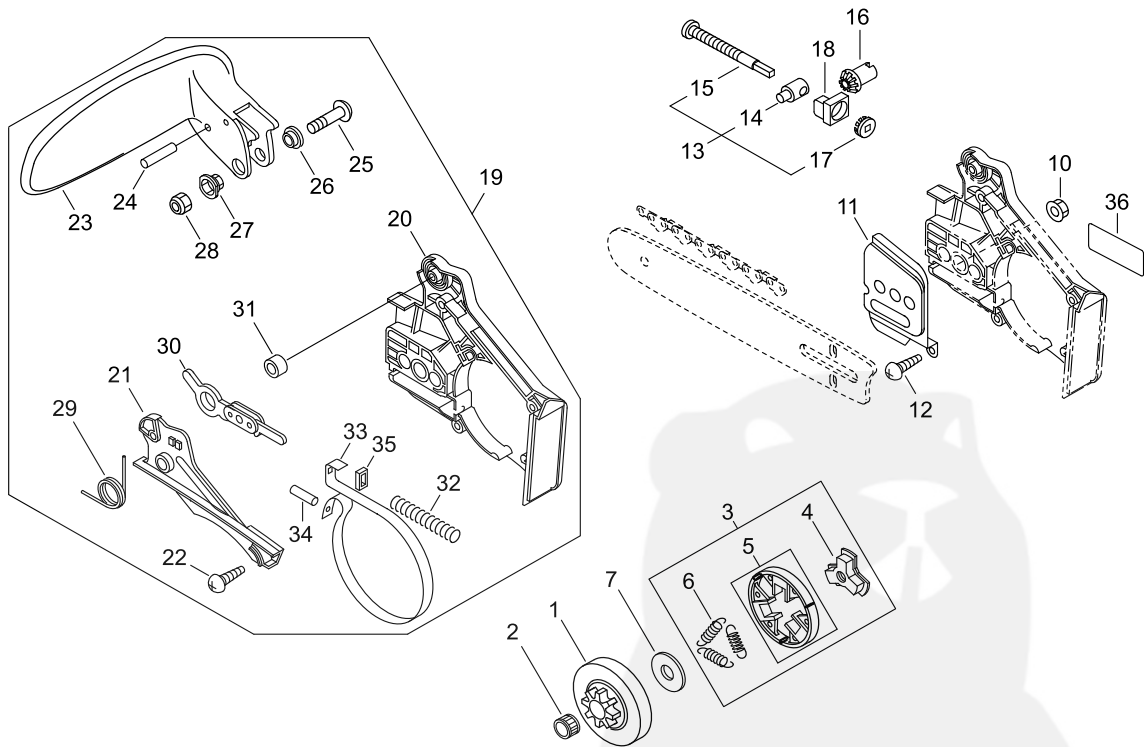
KEY	LV	PART NUMBER	Q'TY	DESCRIPTION	REMARKS	NOTE1	NOTE2
30		131205-14931	1	STRAINER,FUEL			
31		132115-44330	1	GROMMET			
32		131300-56431	1	VENT ASSEMBLY, FUEL			
33		V137-000000	1	GROMMET,FUEL			

7. HANDLE



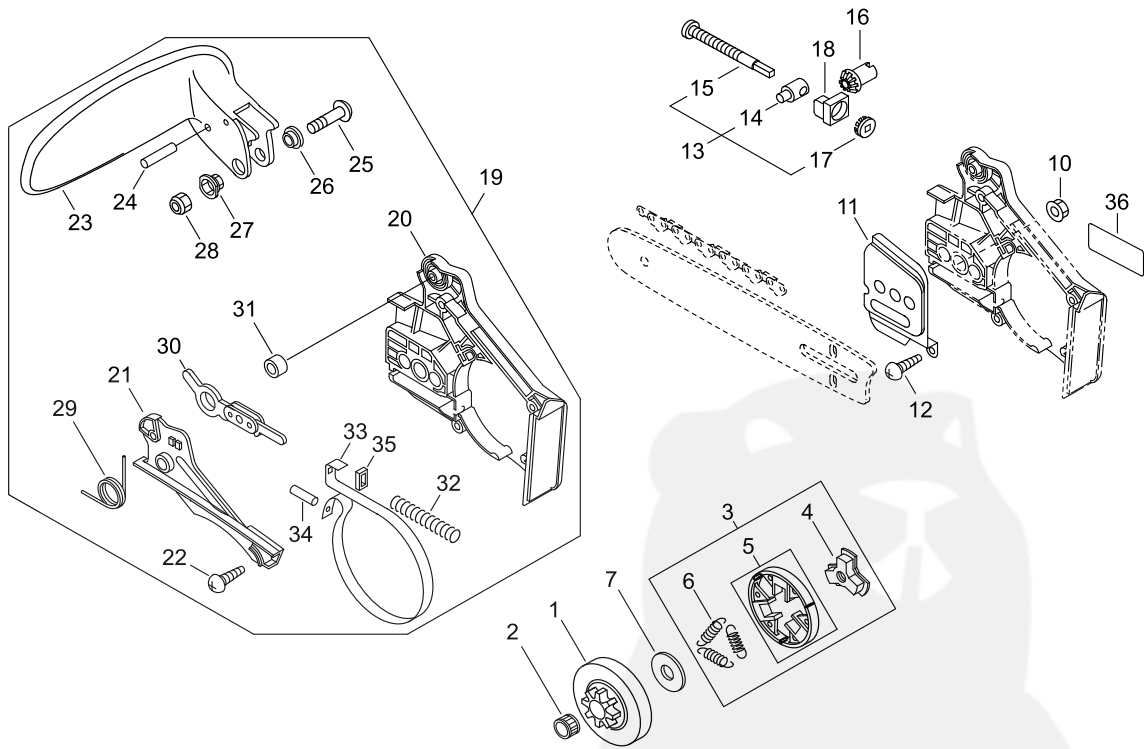
KEY	LV	PART NUMBER	Q'TY	DESCRIPTION	REMARKS	NOTE1	NOTE2
1		A440-000371	1	SWITCH,ON OFF			
2		A239-000000	1	PIPE,INTAKE			
3		P021-007355	1	HANDLE SET, REAR			
4	+	130020-33330	2	NUT			
5	+	900256-04016	4	SCREW 4*16			
14	+	V450-000340	1	SPRING,COMPRESSION	ES		
6		C400-000050	1	HANDLE,FRONT			
7		900253-05020	1	SCREW 5*20	5*20		
8		900256-04016	2	SCREW 4*16			
9		C450-000160	1	TRIGGER,THROTTLE			
10		C454-000051	1	ROD,THROTTLE			
11		V452-000010	1	SPRING,TORSION			
12		C460-000041	1	LOCKOUT,THROTTLE			
13		V450-000080	1	SPRING,COMPRESSION			
15		900253-04012	1	SCREW	4*12		
16		V150-003810	1	PLATE,EYE			
17		V202-000000	2	BOLT,4			
18		V202-000020	1	BOLT,4			
19		100921-39131	1	CUSHION			
20		100918-15130	1	CAP			
21		X505-002441	1	LABEL,CAUTION			

8. CLUTCH, SPROCKET, CHAIN BRAKE



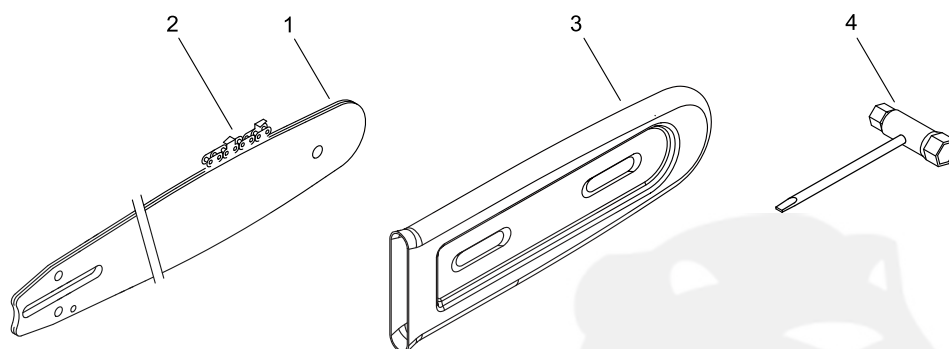
KEY	LV	PART NUMBER	Q'TY	DESCRIPTION	REMARKS	NOTE1	NOTE2
1		A556-000091	1	DRUM,CLUTCH	3/8A		
2		V555-000170	1	BEARING,NEEDLE 10	8E-KV10*13*12.8		
3		A056-000030	1	CLUTCH			
4	+	A552-000020	1	HUB,CLUTCH			
5	+	P021-001950	1	CLUTCH SHOE SET			
6	+	V451-000150	3	SPRING,TENSION			
7		A551-000010	1	PLATE,CLUTCH			
10		V265-000200	1	NUT			
11		C305-000031	1	PLATE,SPROCKET GUARD			
12		900253-04012	1	SCREW	4*12		
13		P021-000063	1	TENSIONER,CHAIN ASY			
14	+	C309-000030	1	TENSIONER,CHAIN			
15	+	V203-000021	1	BOLT,5			
17	+	V651-000011	1	GEAR,BEVEL			
16		V651-000001	1	GEAR,BEVEL			
18		V355-000800	1	COLLAR,8			
19		P021-038491	1	BRAKE,ASM CHAIN			
20	+	C300-000232	1	GUARD,SPROCKET			
21	+	C345-000094	1	COVER,BRAKE			
22	+	900253-04012	2	SCREW	4*12		
23	+	C320-000034	1	LEVER,BRAKE			
24	+	900330-30260	2	ROLLER 3*26	3*26		
25	+	91318-05032	1	SCREW	5*32		
26	+	433167-39130	1	SPACER			

8. CLUTCH, SPROCKET, CHAIN BRAKE



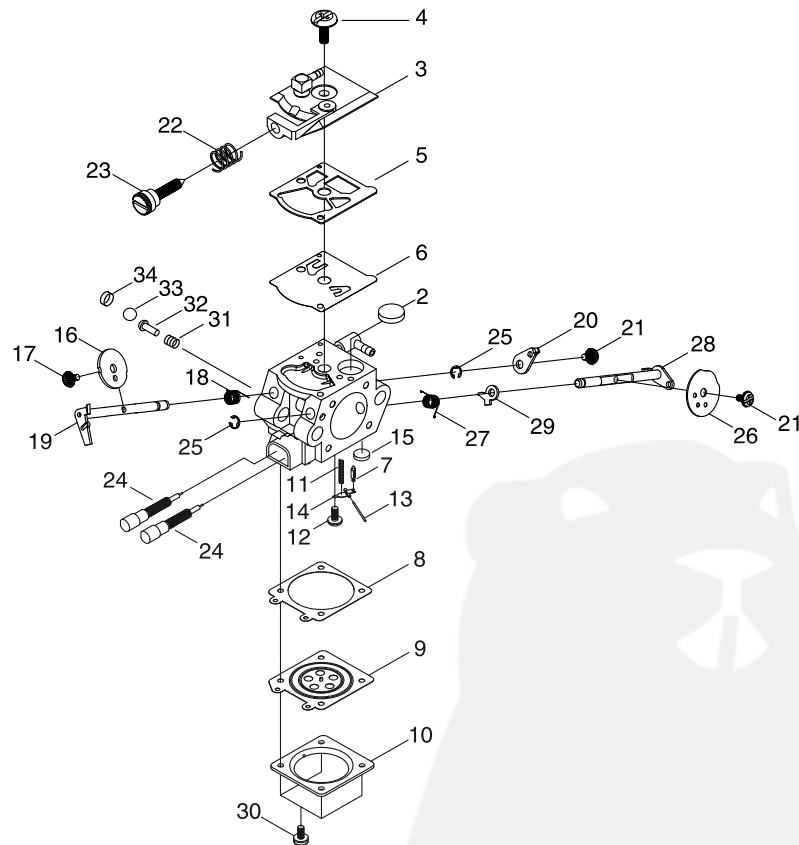
KEY	LV	PART NUMBER	Q'TY	DESCRIPTION	REMARKS	NOTE1	NOTE2
27	+	V353-000060	1	COLLAR,5			
28	+	900562-50005	1	LOCKNUT 5	5		
29	+	V452-000110	1	SPRING,TORSION			
30	+	C334-000060	1	CONNECTOR,BRAKE			
31	+	433116-35430	1	SPACER 8	8*12*9		
32	+	V450-000070	1	SPRING,COMPRESSION			
33	+	C328-000020	1	BAND,BRAKE			
34	+	93050-30098	1	ROLLER	F3*9.8		
35	+	V376-000450	1	SPACER			
36		X504-007920	1	LABEL,BRAND	280TS		

9. ACCESSORIES



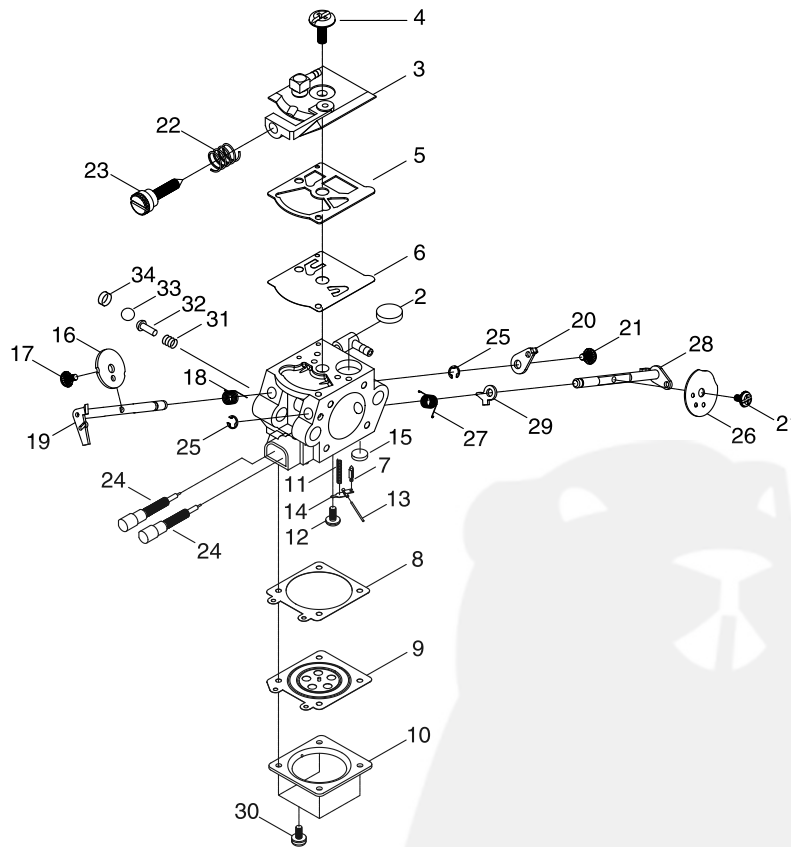
KEY	LV	PART NUMBER	Q'TY	DESCRIPTION	REMARKS	NOTE1	NOTE2
1		X121-000080	1	BAR, GUIDE 25			
2		X221-000100	1	CHAIN, SAW	91PX-40E		
3		X490-000540	1	SCABBARD, CHAIN			
4		X602-000080	1	TOOL, WRENCH	13*19 L180		

10. CARBURETOR





KEY	LV	PART NUMBER	Q'TY	DESCRIPTION	REMARKS	NOTE1	NOTE2
		A021-004200	1	CARBURETOR,DIAPHRAGM	WT1091		
2	+	P003-005040	1	SCREEN,INLET			
3	+	123124-24430	1	COVER, FUEL PUMP			
4	+	123110-03930	1	SCREW, PUMP COVER			
5	+	123125-15030	1	GASKET, FUEL PUMP			
6	+	123112-15030	1	DIAPHRAGM, FUEL PUMP			
7	+	123137-19830	1	VALVE, INLET NEEDLE			
8	+	123140-03930	1	GASKET, M. DIAPHRAGM			
9	+	P003-001850	1	DIAPHRAGM, METERING			
10	+	123142-03930	1	COVER, M. DIAPHRAGM			
11	+	123122-03660	1	SPRING, METER. LEVER			
12	+	123139-03930	1	SCREW, M. LEVER PIN			
13	+	123138-03930	1	PIN, METERING LEVER			
14	+	123123-03930	1	LEVER, METERING			
15	+	123146-10631	1	PLUG, WELCH			
16	+	123116-05960	1	VALVE, THROTTLE			
17	+	P003-002380	1	SCREW			
18	+	123113-37530	1	SPRING, THROTTLE RTN			
19	+	P003-005350	1	SHAFT ASSY, THROTTLE			
20	+	P003-000380	1	THROTTLE, LEVER			
21	+	123114-38830	2	SCREW			
22	+	123133-04260	1	SPRING, IDLE ADJUST			
23	+	123134-04260	1	SCREW, IDLE ADJUST			
24	+	P003-004190	2	NEEDLE			
25	+	123127-15030	2	RING			

10. CARBURETOR



KEY	LV	PART NUMBER	Q'TY	DESCRIPTION	REMARKS	NOTE1	NOTE2
26	+	P003-000410	1	VALVE CHOKE			
27	+	P003-004780	1	SPRING			
28	+	P003-005360	1	SHAFT-CHOKE			
29	+	P003-001510	1	LEVER-FAST IDLE			
30	+	123130-02960	4	SCREW			
31	+	123186-09660	1	SPRING, START VALVE			
32	+	123185-09660	1	PISTON ASSY			
33	+	123136-09660	1	BALL			
34	+	P003-005090	1	PLUG CUP			

11. GUIDE BAR, CHAIN

Pitch ピッチ (inch) (mm)	Gauge ゲージ (inch) (mm)	Length 長さ (cm)	Guide Bar ガイドバー		Saw Chain ソーチェーン		Hard Nose ハード ノーズ	Sprocket Nose スプロケット ノーズ
			Key №	Type 形式	Key №	Type 形式		
3/8 9.53	0,050 1.27	25	A1	25RCSDKE	A2	91PX-40E		●
3/8 9.53	0,050 1.27	30	B1	30RC50M-3/8	B2	91PX-47E		●
1/4 6.35	0,050 1.27	25	C1	25CSDKE	C2	25AP-60E	●	
1/4 6.35	0,050 1.27	25	D1	25LC50S-1/4CSD	D2	25AP-60E	●	

KEY	LV	PART NUMBER	Q'TY	DESCRIPTION	REMARKS	NOTE1	NOTE2
A1		X121-000080	1	BAR,GUIDE 25			
A2		X221-000100	1	CHAIN,SAW	91PX-40E		
B1		X122-000171	1	BAR,GUIDE 30	30RCSDKE		
B2		X222-000140	1	CHAIN,SAW	91PX-47E		
C1		X101-000090	1	BAR,GUIDE 25	25CSDKE		
C2		431610-10030	1	CHAIN, SAW	25AP-60E		
D1		X101-000180	1	BAR,GUIDE 25	25LC50S-1/4CSD		
D2		431610-10030	1	CHAIN, SAW	25AP-60E		

Index

Patrs Number	Key No.	Patrs Number	Key No.	Patrs Number	Key No.
100013-22330	1 - 10	436114-13930	1 - 26	A320-001070	2 - 9
100014-11520	1 - 8	436205-02832	6 - 15	A365-000050	6 - 11
100015-04630	1 - 9	900106-05016	1 - 18	A365-000050	6 - 14
100142-12330	4 - 4	900106-05025	1 - 19	A409-001130	4 - 1
100918-15130	7 - 20	900162-04012	1 - 13	A411-001510	4 - 2
100921-39131	7 - 19	900162-05022	1 - 2	A425-000000	4 - 12
123110-03930	10 - 4	900238-04012	6 - 5	A426-000010	4 - 14
123112-15030	10 - 6	900238-05018	4 - 5	A427-000013	4 - 13
123113-37530	10 - 18	900238-05050	3 - 2	A440-000371	7 - 1
123114-38830	10 - 21	900242-04008	2 - 8	A506-000460	5 - 3
123116-05960	10 - 16	900253-04012	1 - 21	A507-000110	5 - 4
123122-03660	10 - 11	900253-04012	7 - 15	A514-000020	4 - 15
123123-03930	10 - 14	900253-04012	8 - 12	A551-000010	8 - 7
123124-24430	10 - 3	900253-04012	8 - 22	A552-000020	8 - 4
123125-15030	10 - 5	900253-04016	2 - 11	A556-000091	8 - 1
123127-15030	10 - 25	900253-05020	1 - 24	C022-000020	6 - 4
123130-02960	10 - 30	900253-05020	7 - 7	C300-000232	8 - 20
123133-04260	10 - 22	900256-04016	5 - 13	C305-000023	1 - 25
123134-04260	10 - 23	900256-04016	7 - 5	C305-000031	8 - 11
123136-09660	10 - 33	900256-04016	7 - 8	C309-000030	8 - 14
123137-19830	10 - 7	900330-30260	8 - 24	C320-000034	8 - 23
123138-03930	10 - 13	900515-00008	4 - 3	C328-000020	8 - 33
123139-03930	10 - 12	900562-50005	8 - 28	C334-000060	8 - 30
123140-03930	10 - 8	900603-00005	4 - 17	C345-000094	8 - 21
123142-03930	10 - 10	900720-00018	6 - 10	C400-000050	7 - 6
123146-10631	10 - 15	900720-00018	6 - 13	C450-000160	7 - 9
123181-39130	6 - 1	900724-00004	1 - 27	C454-000051	7 - 10
123185-09660	10 - 32	900800-36001	1 - 5	C460-000041	7 - 12
123186-09660	10 - 31	91107-05045	2 - 4	P003-000380	10 - 20
130020-33330	7 - 4	91318-05032	8 - 25	P003-000410	10 - 26
131205-14931	6 - 30	93050-30098	8 - 34	P003-001510	10 - 29
131300-56431	6 - 32	A021-004200	3 - 1	P003-001850	10 - 9
131925-02310	3 - 8	A021-004200	10 -	P003-002380	10 - 17
132010-22130	6 - 16	A051-002560	5 - 1	P003-004190	10 - 24
132012-11960	6 - 19	A056-000030	8 - 3	P003-004780	10 - 27
132115-01461	6 - 18	A101-000630	1 - 11	P003-005040	10 - 2
132115-44330	6 - 31	A127-000041	1 - 20	P003-005090	10 - 34
150117-16430	4 - 6	A172-002040	5 - 16	P003-005350	10 - 19
156110-04920	4 - 7	A202-000001	1 - 12	P003-005360	10 - 28
156114-07320	4 - 11	A225-000025	3 - 3	P021-000063	8 - 13
163911-30130	1 - 22	A226-000051	3 - 5	P021-001950	8 - 5
177236-61830	5 - 6	A232-000241	3 - 6	P021-003418	1 - 15
177246-11120	5 - 11	A235-000090	3 - 7	P021-005581	6 - 12
177247-04630	4 - 19	A239-000000	7 - 2	P021-005601	6 - 9
431610-10030	11 - C2	A244-000000	3 - 4	P021-007355	7 - 3
431610-10030	11 - D2	A300-001641	2 - 1	P021-038072	1 - 3
433026-35430	1 - 23	A310-000420	2 - 7	P021-038491	8 - 19
433116-35430	8 - 31	A312-000060	2 - 3	P021-044050	1 - 1
433167-39130	8 - 26	A313-001970	2 - 5	P021-044060	1 - 7

Index

Patrs Number	Key No.	Patrs Number	Key No.	Patrs Number	Key No.
P022-001320	5 - 10	X101-000180	11 - D1		
P022-001330	5 - 8	X121-000080	9 - 1		
P022-006220	5 - 7	X121-000080	11 - A1		
P022-033280	5 - 9	X122-000171	11 - B1		
P022-037540	5 - 12	X221-000100	9 - 2		
V104-001850	2 - 6	X221-000100	11 - A2		
V104-001860	2 - 2	X222-000140	11 - B2		
V137-000000	6 - 33	X490-000540	9 - 3		
V150-003810	7 - 16	X503-012610	5 - 14		
V162-000180	5 - 2	X504-007920	8 - 36		
V186-000510	6 - 25	X505-002441	7 - 21		
V187-000010	6 - 20	X505-006921	5 - 15		
V202-000000	7 - 17	X505-007710	2 - 12		
V202-000011	1 - 17	X602-000080	9 - 4		
V202-000020	7 - 18				
V203-000021	8 - 15				
V203-000080	4 - 16				
V225-000031	1 - 16				
V265-000200	8 - 10				
V308-000030	6 - 6				
V341-000180	2 - 10				
V353-000060	8 - 27				
V355-000800	8 - 18				
V356-000290	6 - 8				
V358-000021	1 - 14				
V376-000450	8 - 35				
V450-000070	8 - 32				
V450-000080	7 - 13				
V450-000340	7 - 14				
V451-000150	8 - 6				
V452-000010	7 - 11				
V452-000030	4 - 18				
V452-000110	8 - 29				
V452-001320	5 - 5				
V470-000321	6 - 22				
V471-001230	6 - 21				
V471-001251	6 - 2				
V471-001261	6 - 3				
V475-001900	4 - 8				
V475-003550	4 - 9				
V485-000140	4 - 10				
V490-001230	6 - 17				
V490-001240	6 - 27				
V505-000001	1 - 4				
V555-000170	8 - 2				
V651-000001	8 - 16				
V651-000011	8 - 17				
V652-000030	6 - 7				
X101-000090	11 - C1				

YAMABIKO CORPORATION

7-2 SUEHIROCHO 1-CHOME, OHME, TOKYO 198-8760, JAPAN
PHONE: 81-428-32-6118. FAX: 81-428-32-6145.



shindaiwa[®]

14Db
No. 06-092