



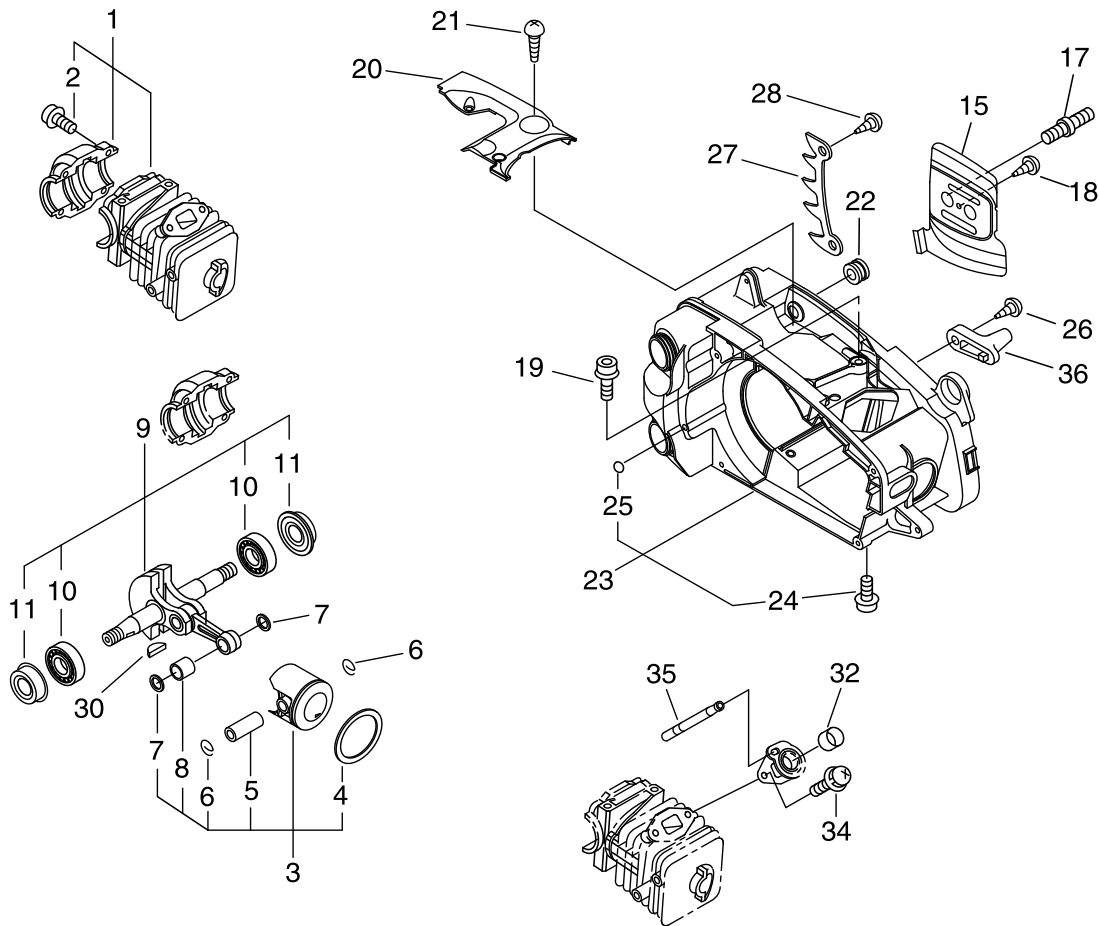
PARTS CATALOG

TOP HANDLE SAW CS-320TES(36)

36000001 -

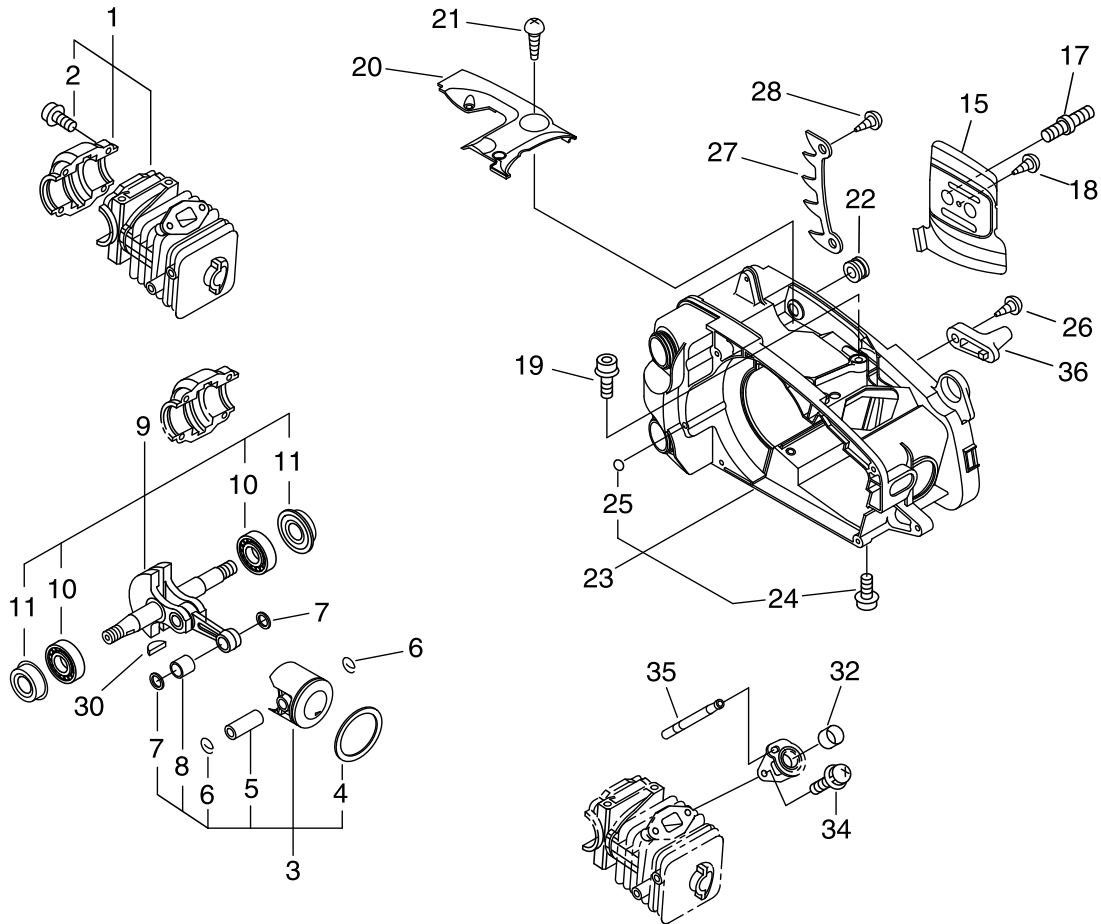
P014-002680-121b

1. CYLINDER, CRANKCASE, PISTON



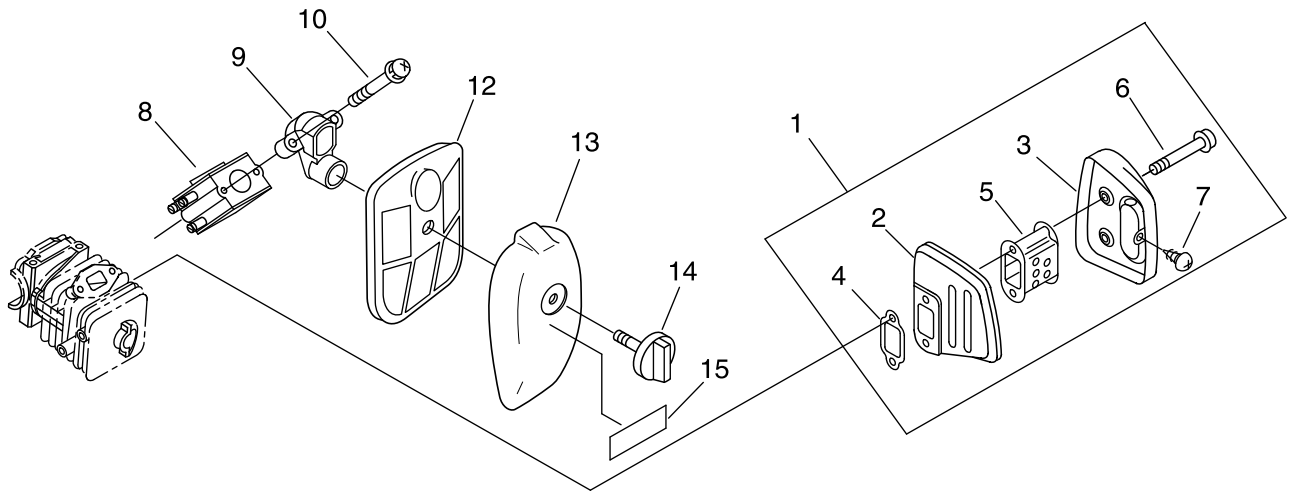
KEY	LV	PART NUMBER	Q'TY	DESCRIPTION	REMARKS	NOTE1	NOTE2
1		P021-005491	1	CRANKCASE SET			
2	+	900162-05025	4	BOLT, H.S. 5*25	5*25 W,SW		
3		P021-005501	1	PISTON KIT			
4	+	100011-46430	1	RING, PISTON			
5	+	100013-15330	1	PIN, PISTON	5.5*8*29		
6	+	100015-04630	2	CIRCLIP, PISTON PIN			
7	+	100014-60930	2	SPACER, PISTON PIN			
8	+	V553-000040	1	BEARING,NEEDLE 8	8E- KV8X11X11.8XS		
9		P021-010703	1	CRANKSHAFT ASY			
10	+	94035-36201	2	BEARING BALL	6201X3JR2C3		
11	+	V505-000011	2	SEAL,OIL 12	12*32*5.5		
15		C305-000080	1	PLATE, SPROCKET GUARD	T0.3		
17		V224-000031	2	BOLT,STUD 6			
18		900253-04010	1	SCREW 4*10	4*10		
19		900106-05020	2	BOLT, H.S. 5*20	5*20		
20		A127-000050	1	COVER,DUST			
21		900253-04012	2	SCREW	4*12		
22		163911-30130	1	PLUG			
23		P021-008678	1	COVER,ENGINE KIT			
24	+	900106-05030	2	BOLT, H.S.H. 5*30	5*30		
25	+	900724-00004	1	O-RING (S-4)	S-4		
26		900253-05020	1	SCREW 5*20	5*20		
27		C304-000000	1	SPIKE			
28		900253-05020	1	SCREW 5*20	5*20		
30		100142-12330	1	KEY, WOODRUFF			

1. CYLINDER, CRANKCASE, PISTON



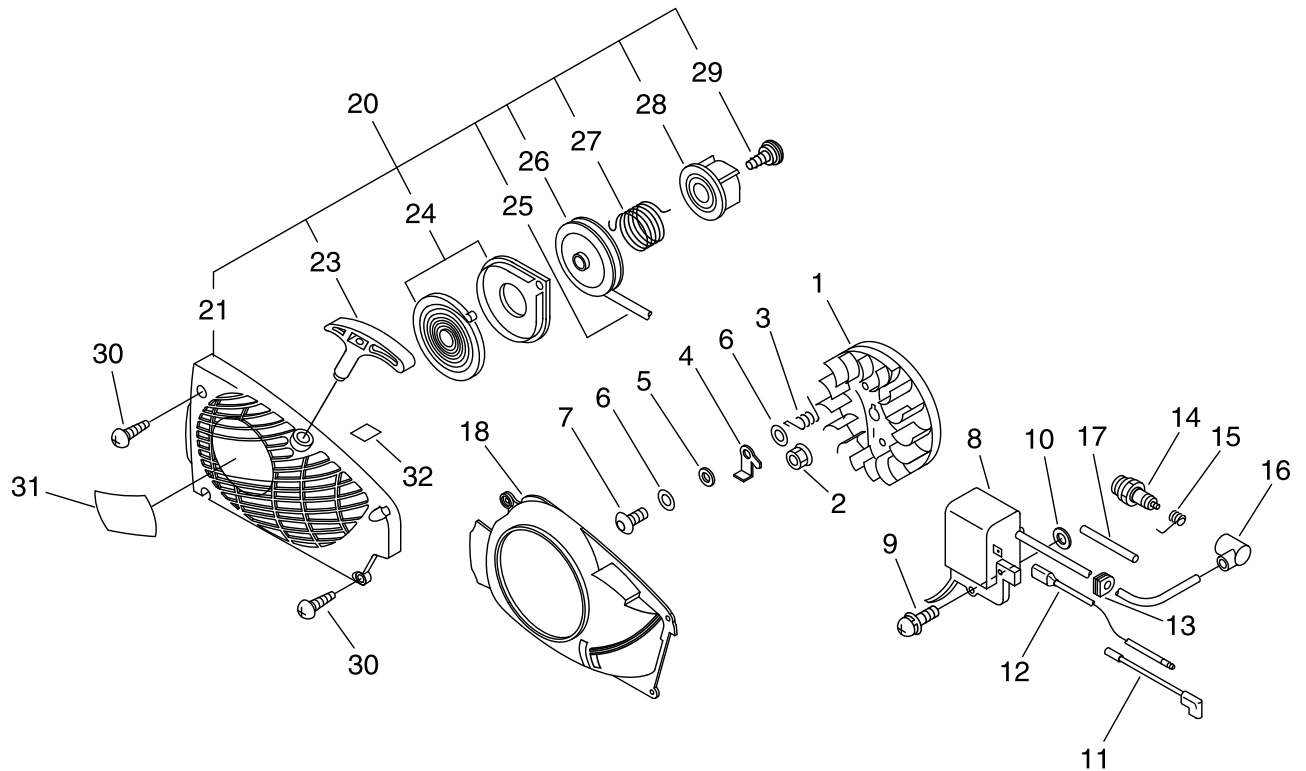
KEY	LV	PART NUMBER	Q'TY	DESCRIPTION	REMARKS	NOTE1	NOTE2
32		V359-000060	1	COLLAR,16			
34		900238-05012	2	SCREW 5*12	5*12		
35		V470-000482	1	PIPE			
36		433026-35430	1	CATCHER, CHAIN			

2. AIR CLEANER, MUFFLER



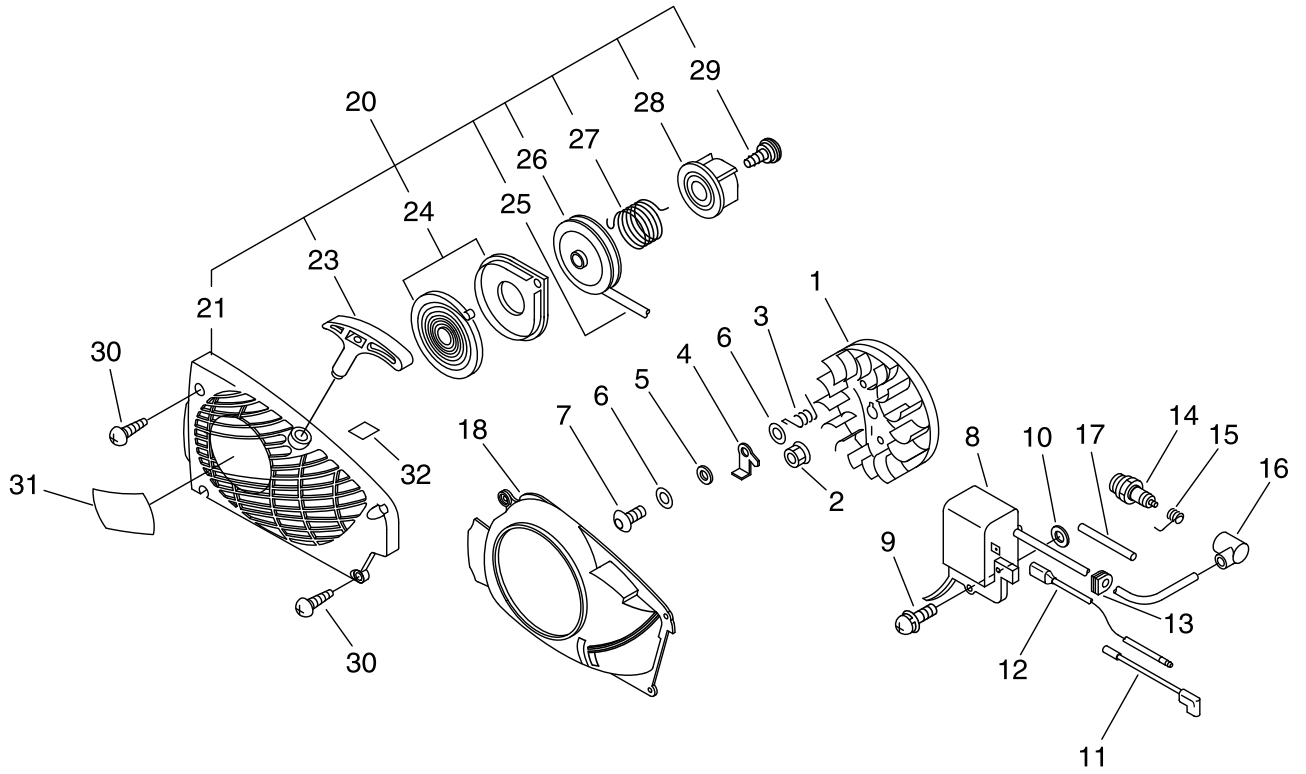
KEY	LV	PART NUMBER	Q'TY	DESCRIPTION	REMARKS	NOTE1	NOTE2
1		P021-009930	1	MUFFLER ASY			
2	+	A300-000370	1	MUFFLER,EXHAUST			
3	+	A303-000041	1	LID,MUFFLER			
4	+	145510-13931	1	GASKET, MUFFLER			
5	+	A301-000000	1	PLATE,MUFFLER			
6	+	91107-05040	2	BOLT HSH FLANGE	5*40		
7	+	900250-04008	1	SCREW 4*8	4*8		
8		A021-000864	1	CARBURETOR,DIAPHRAGM	WT-698B		
9		A204-000041	1	ELBOW,CARBURETOR			
10		900238-05050	2	SCREW 5*50	5*50		
12		A226-000180	1	ELEMENT,AIR FILTER			
13		A232-000160	1	LID,CLEANER			
14		A235-000040	1	KNOB,CLEANER LID			
15		X503-006210	1	LABEL,MODEL	CS-320TES EU ST1		

3. STARTER, MAGNETO



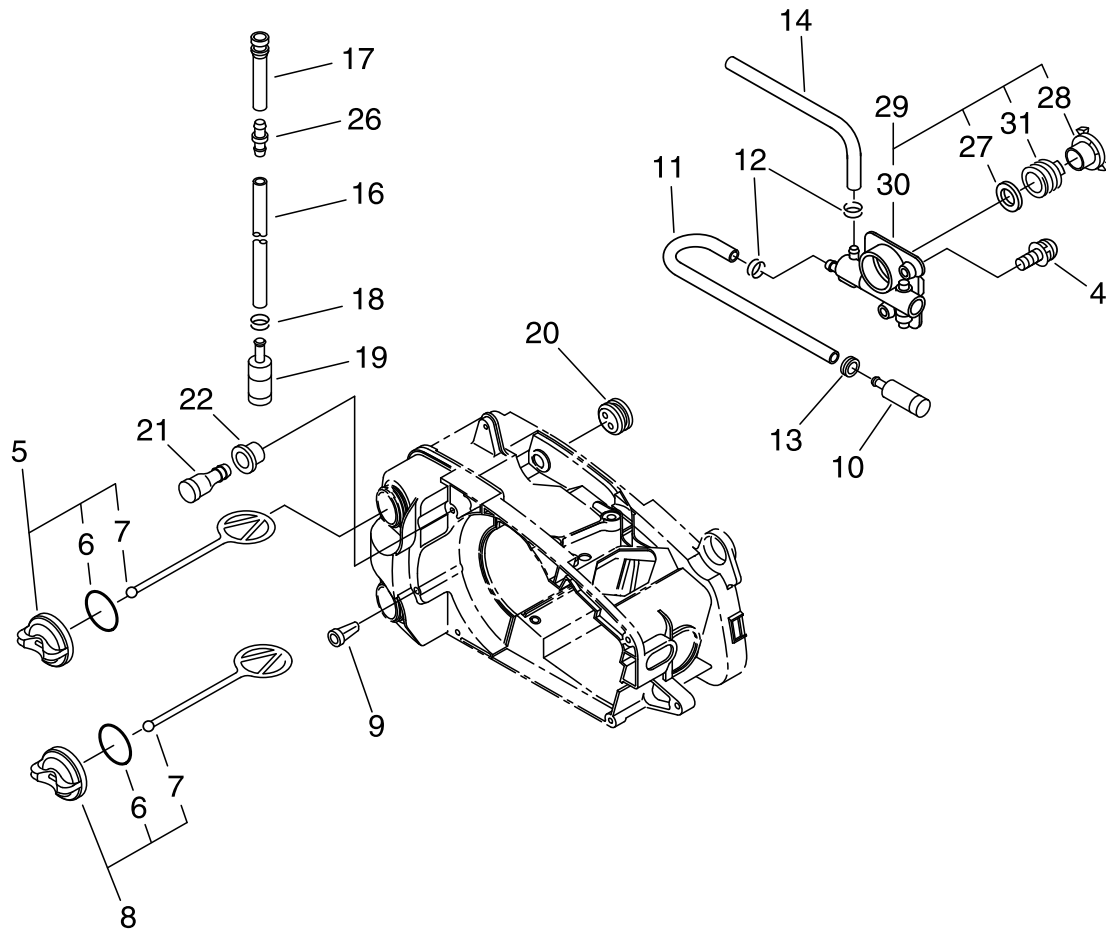
KEY	LV	PART NUMBER	Q'TY	DESCRIPTION	REMARKS	NOTE1	NOTE2
1		A409-000170	1	ROTOR,MAGNETO			
2		900515-00008	1	NUT, FLANGE 8	8		
3		177234-35430	2	SPRING, RETURN			
4		A514-000020	2	PAWL			
5		177247-04630	2	SPACER, RATCHET	5.2*8*2.1		
6		900603-00005	4	WASHER 5	5.5*12*0.8		
7		V203-000080	2	BOLT,5	5*14		
8		A411-000150	1	COIL,IGNITION			
9		900238-05022	2	SCREW 5*22	5*22		
10		150117-16430	2	SPACER			
11		162010-55930	1	LEARD, GROUND	235L		
12		V485-000140	1	LEAD			
13		156110-04920	1	BUSHING			
14		A425-000000	1	SPARKPLUG	BPMR8Y		
15		A426-000010	1	TERMINAL,SPARKPLUG			
16		A427-000013	1	CAP,SPARK PLUG			
17		V475-002390	2	TUBE			
18		A172-000501	1	COVER,FAN			
20		A051-000794	1	STARTER,RECOIL			
21	+	P022-008772	1	STARTER,RECOIL			
23	+	P022-005891	1	GRIP, STARTER			
24	+	P022-001330	1	SPRING KIT, REWIND			
25	+	P022-008440	1	ROPE, STARTER	3.5*900		
26	+	A506-000460	1	REEL,ROPE			
27	+	V452-001320	1	SPRING,TORSION			
28	+	A507-000110	1	CATCHER,PAWL			

3. STARTER, MAGNETO



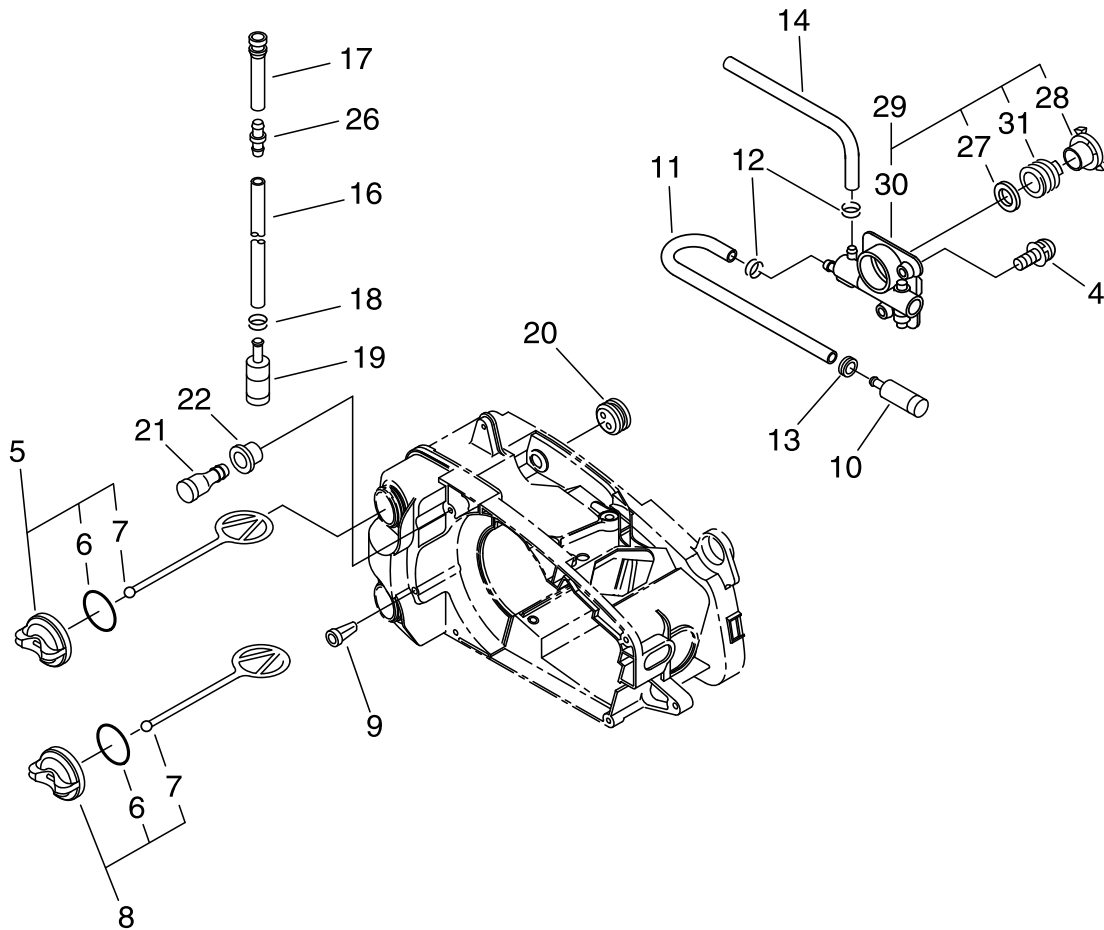
KEY	LV	PART NUMBER	Q'TY	DESCRIPTION	REMARKS	NOTE1	NOTE2
29	+	177236-61830	1	SCREW			
30		900256-04016	4	SCREW 4*16			
31		X502-000102	1	LABEL,ECHO			
32		X505-000180	1	LABEL,CAUTION			

4. AUTO-OILER

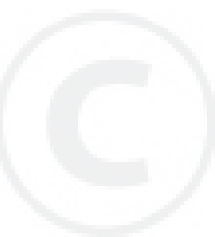


KEY	LV	PART NUMBER	Q'TY	DESCRIPTION	REMARKS	NOTE1	NOTE2
4		900238-04012	2	SCREW 4*12	4*12		
5		P021-005591	1	CAP ASY			
6	+	900720-00018	1	O-RING 18	P-18		
7	+	A365-000050	1	CONNECTOR,CAP			
8		P021-005581	1	OIL CAP ASY			
6	+	900720-00018	1	O-RING 18	P-18		
7	+	A365-000050	1	CONNECTOR,CAP			
9		436114-13930	1	VALVE, CHECK			
10		436205-02832	1	STRAINER, OIL			
11		V471-000740	1	PIPE			
12		V490-001230	2	CLIP			
13		132115-01461	1	GROMMET			
14		V471-000760	1	PIPE			
16		V471-000750	1	PIPE			
17		V470-000321	1	PIPE	10*6*L32		
18		V490-001240	1	CLIP			
19		131205-14930	1	STRAINER,FUEL			
20		V137-000020	1	GROMMET,FUEL			
21		131300-56431	1	VENT ASSEMBLY, FUEL			
22		V137-000000	1	GROMMET,FUEL			
26		V186-000510	1	JOINT,PIPE			
29		P021-010890	1	AUTO-OILER ASY			
27	+	V308-000030	1	WASHER,CIRCULAR 11	10.5*17.4*1.8		
28	+	V356-000290	1	COLLAR,10			
30	+	C022-000020	1	AUTO-OILER ASSEMBLY			

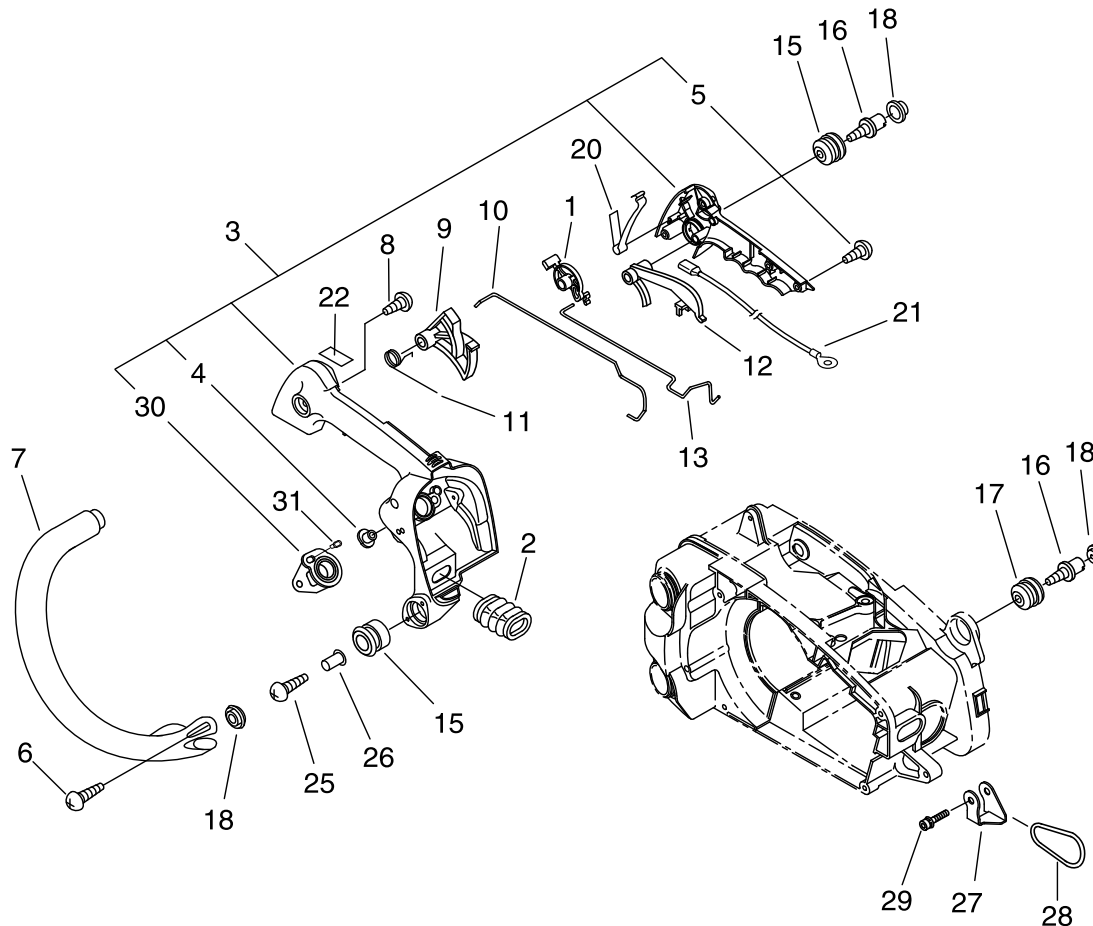
4. AUTO-OILER



KEY	LV	PART NUMBER	Q'TY	DESCRIPTION	REMARKS	NOTE1	NOTE2
31	+	V652-000030	1	GEAR,WORM			

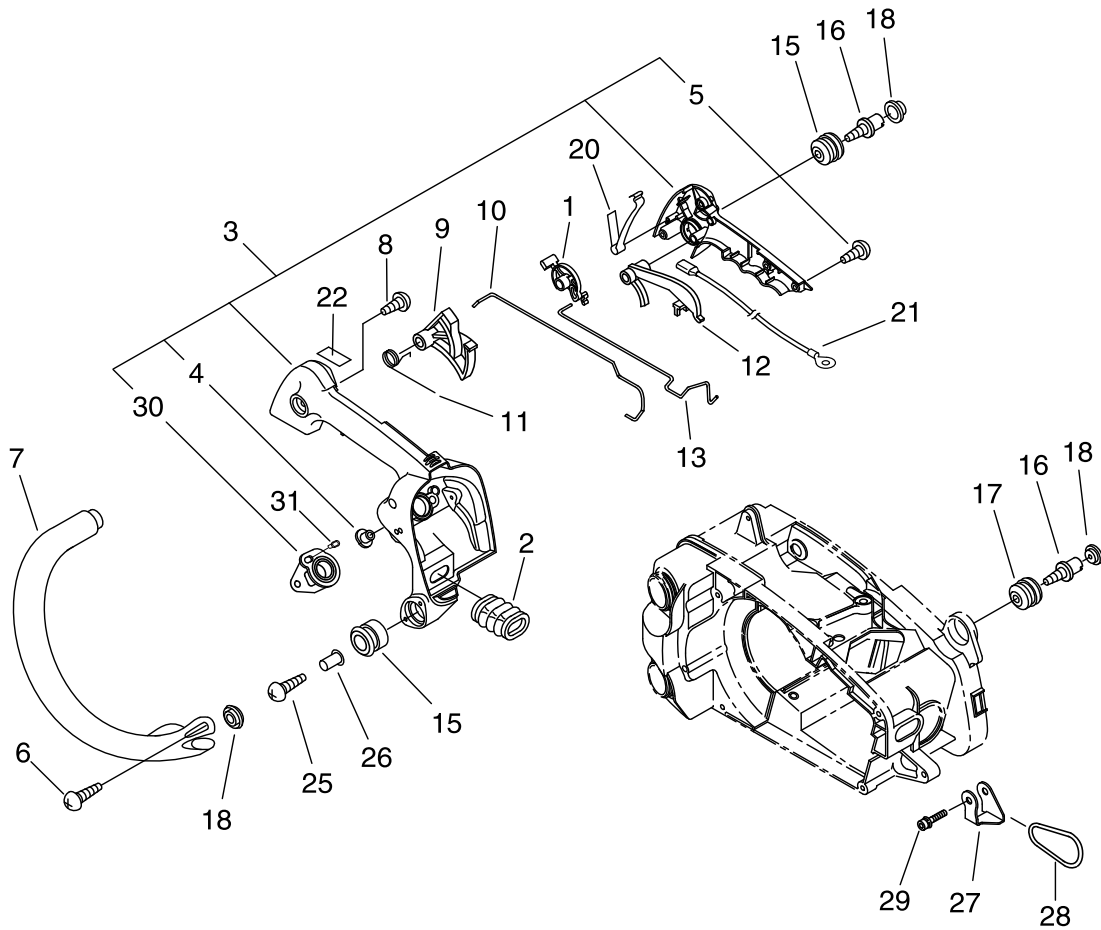


5. HANDLE



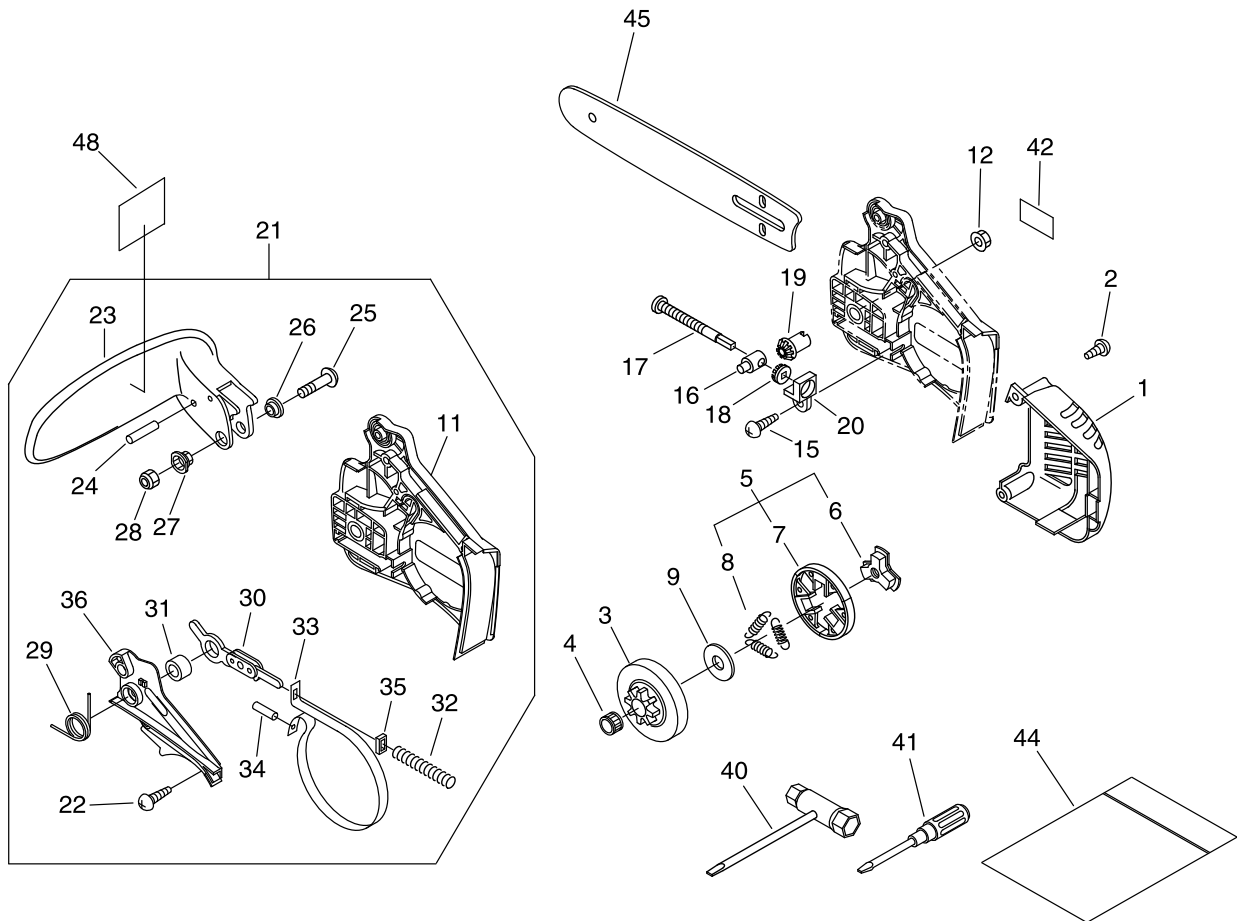
KEY	LV	PART NUMBER	Q'TY	DESCRIPTION	REMARKS	NOTE1	NOTE2
1		A253-000043	1	LEVER,CONTROL			
2		A239-000000	1	PIPE,INTAKE			
3		P021-011510	1	HANDLE, REAR			
4	+	130020-33330	2	NUT			
5	+	900256-04016	4	SCREW 4*16			
30	+	A202-000033	1	BELLOWS,INTAKE			
6		900256-04016	2	SCREW 4*16			
7		C400-000160	1	HANDLE,FRONT			
8		900253-05020	1	SCREW 5*20	5*20		
9		C450-000010	1	TRIGGER,THROTTLE			
10		C454-000070	1	ROD,THROTTLE			
11		V452-000010	1	SPRING,TORSION			
12		C460-000002	1	LOCKOUT,THROTTLE			
13		A240-000010	1	ROD,CHOKE			
15		V400-000070	2	CUSHION,4			
16		V202-000000	2	BOLT,4			
17		100910-18830	1	CUSHION			
18		100918-15130	3	CAP			
20		V486-000010	1	TERMINAL,LEAD			
21		V485-000340	1	LEAD			
22		X524-000910	1	LABEL			
25		91481-04035	1	SCREW TAPPING			
26		V352-000020	1	COLLAR,4			
27		C626-000040	1	FIXTURE,HARNESS			
28		C646-000040	1	RING,HARNESS			
29		900162-04025	1	BOLT, H.S. 4*25	4*25 W,SW		

5. HANDLE



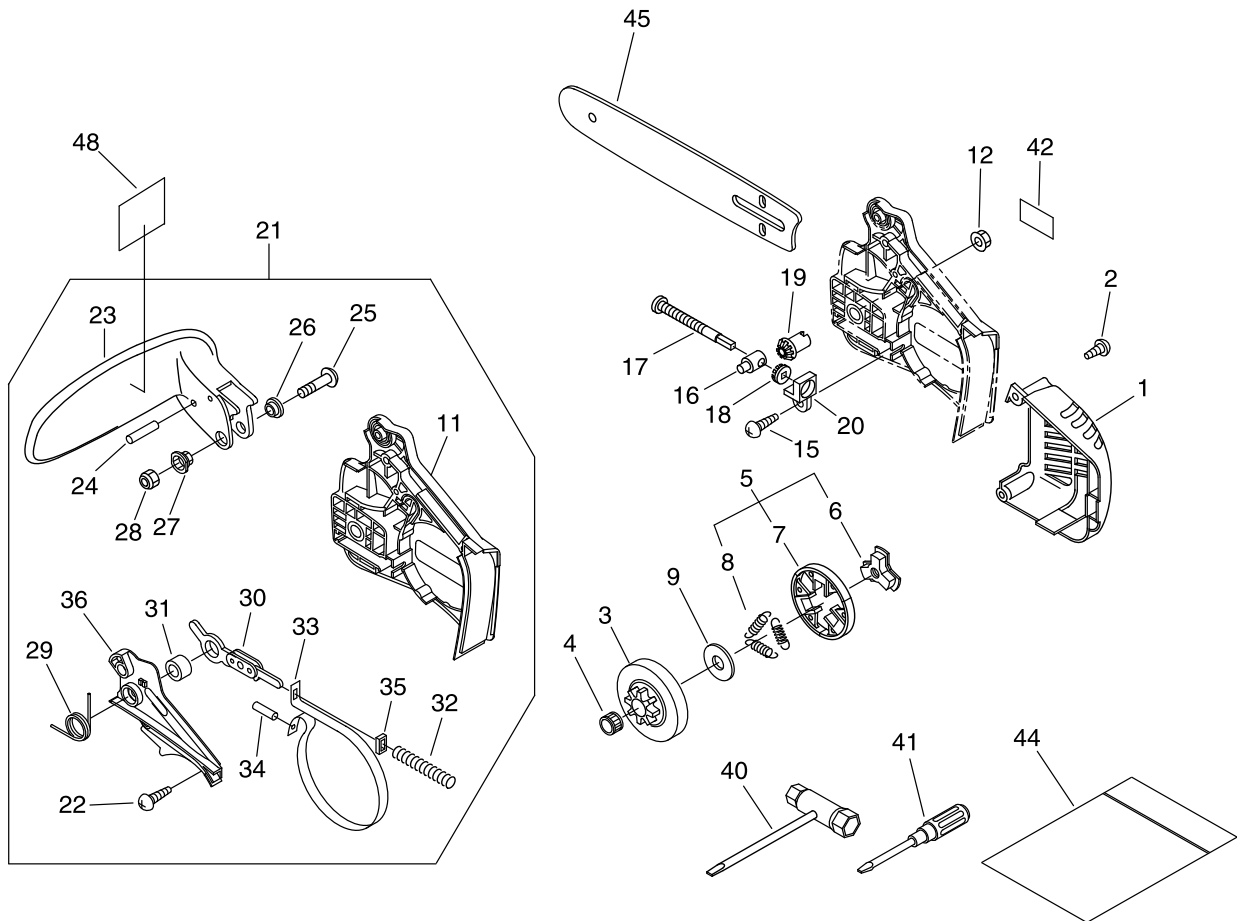
KEY	LV	PART NUMBER	Q'TY	DESCRIPTION	REMARKS	NOTE1	NOTE2
31		V351-000000	1	COLLAR,3	3.2*6.5		

6. CLUTCH, SPROCKET



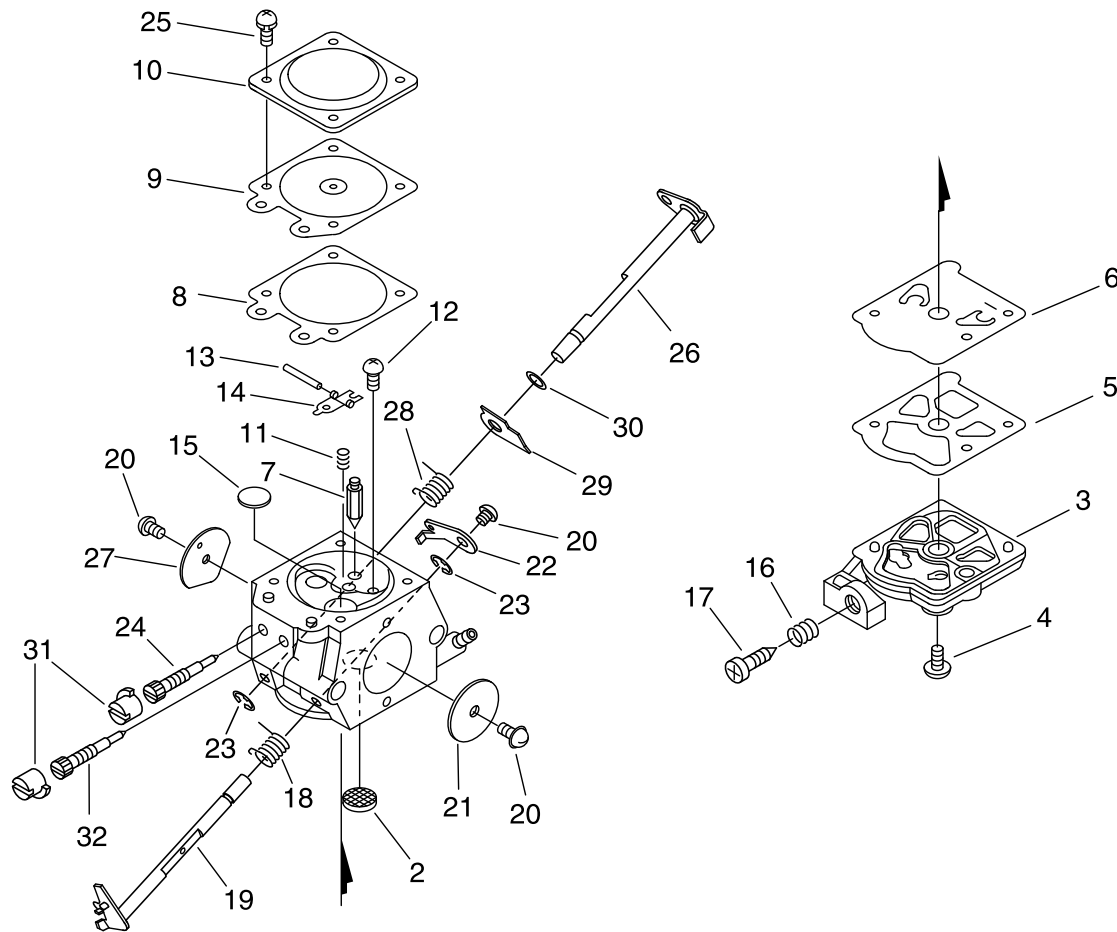
KEY	LV	PART NUMBER	Q'TY	DESCRIPTION	REMARKS	NOTE1	NOTE2
1		A320-000183	1	COVER,MUFFLER			
2		900253-04016	2	SCREW 4*16	4*16		
3		175005-39133	1	DRUM, CLUTCH			
4		V555-000150	1	BEARING,NEEDLE			
5		A056-000070	1	CLUTCH			
6	+	A552-000020	1	HUB,CLUTCH			
7	+	P021-005810	1	CLUTCH SHOE SET			
8	+	V451-000470	3	SPRING,TENSION			
9		A551-000010	1	PLATE,CLUTCH			
12		433019-03933	2	NUT, FLANGE 6	6		
15		900253-04012	1	SCREW	4*12		
16		C309-000030	1	TENSIONER,CHAIN			
17		V203-000041	1	BOLT,5			
18		V651-000011	1	GEAR,BEVEL			
19		V651-000001	1	GEAR,BEVEL			
20		V355-000140	1	COLLAR,8			
21		C032-000206	1	BRAKE,ASM CHAIN			
22	+	900253-04012	3	SCREW	4*12		
23	+	C320-000034	1	LEVER,BRAKE			
24	+	900330-30260	2	ROLLER 3*26	3*26		
25	+	91318-05032	1	SCREW	5*32		
26	+	433167-39130	1	SPACER			
27	+	V353-000060	1	COLLAR,5			
28	+	900562-50005	1	LOCKNUT 5	5		
29	+	V452-000110	1	SPRING,TORSION			
30	+	C334-000070	1	CONNECTOR,BRAKE			

6. CLUTCH, SPROCKET



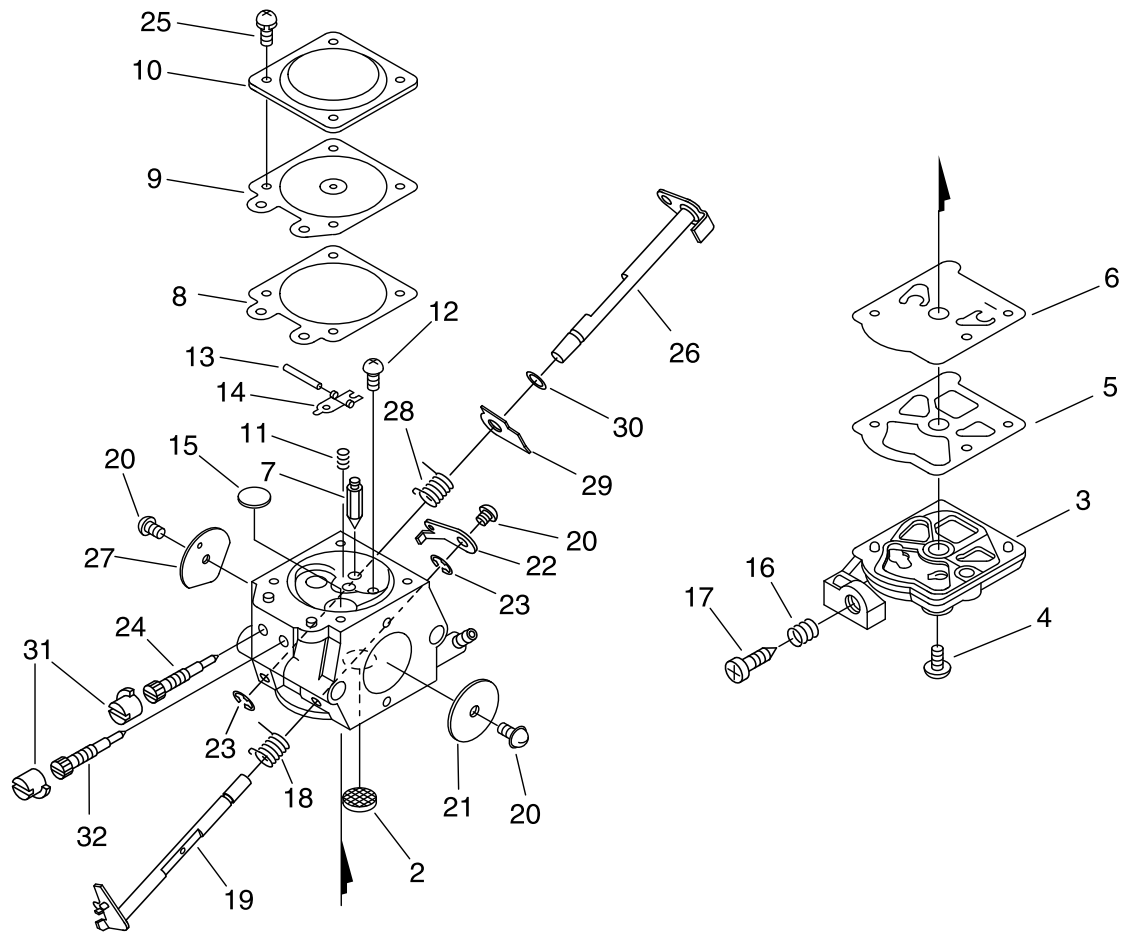
KEY	LV	PART NUMBER	Q'TY	DESCRIPTION	REMARKS	NOTE1	NOTE2
31	+	433116-35430	1	SPACER 8	8*12*9		
32	+	V450-000070	1	SPRING,COMPRESSION			
33	+	C328-000030	1	BAND,BRAKE			
34	+	93050-30098	1	ROLLER	F3*9.8		
35	+	V376-000450	1	SPACER			
36	+	C345-000084	1	COVER,BRAKE			
11	+	C300-000242	1	GUARD,SPROCKET			
40		895410-03930	1	WRENCH, W/S. DRIVER			
41		895812-03930	1	DRIVER, SCREW 50			
42		X502-000340	1	LABEL,ECHO	ECHO(WHITE)		
44		X698-000050	1	TOOL,CASE	140*260*0.06		
45		X122-000072	1	BAR,GUIDE 30	30RC50M-3/8	ECHO	
48		X505-002440	1	LABEL,CAUTION			

7. CARBURETOR



KEY	LV	PART NUMBER	Q'TY	DESCRIPTION	REMARKS	NOTE1	NOTE2
		A021-000864	1	CARBURETOR,DIAPHRAGM	WT-698B ·		
2	+	P003-005040	1	SCREEN,INLET			
3	+	123124-24430	1	COVER, FUEL PUMP			
4	+	123110-03930	1	SCREW, PUMP COVER			
5	+	123125-15030	1	GASKET, FUEL PUMP			
6	+	123112-15030	1	DIAPHRAGM, FUEL PUMP			
7	+	123137-19830	1	VALVE, INLET NEEDLE			
8	+	123140-03930	1	GASKET, M. DIAPHRAGM			
9	+	P003-001850	1	DIAPHRAGM, METERING			
10	+	123142-03930	1	COVER, M. DIAPHRAGM			
11	+	123122-39830	1	SPRING, METER. LEVER			
12	+	123139-03930	1	SCREW, M. LEVER PIN			
13	+	123138-03930	1	PIN, METERING LEVER			
14	+	123123-03930	1	LEVER, METERING			
15	+	123146-10631	1	PLUG, WELCH			
16	+	123133-04260	1	SPRING, IDLE ADJUST			
17	+	123134-04260	1	SCREW, IDLE ADJUST			
18	+	123113-37530	1	SPRING, THROTTLE RTN			
19	+	P003-000480	1	SHAFT,THROTTLE			
20	+	123114-38830	3	SCREW			
21	+	123116-10530	1	VALVE, THROTTLE			
22	+	P003-000380	1	THROTTLE, LEVER			
23	+	123127-15030	2	RING			
24	+	123118-02261	1	NEEDLE			
25	+	123130-02960	4	SCREW			
26	+	P003-001140	1	SHAFT, CHOKE			

7. CARBURETOR



KEY	LV	PART NUMBER	Q'TY	DESCRIPTION	REMARKS	NOTE1	NOTE2
27	+	123132-35430	1	VALVE, CHOKE			
28	+	P003-001470	1	SPRING			
29	+	P003-001510	1	LEVER-FAST IDLE			
30	+	123149-26030	1	WASHER			
31	+	P003-000010	2	LIMITER CAP			
32	+	123120-52131	1	NEEDLE, HIGH SPEED			

Index

Patrs Number	Key No.	Patrs Number	Key No.	Patrs Number	Key No.
100011-46430	1 - 4	895410-03930	6 - 40	A301-000000	2 - 5
100013-15330	1 - 5	895812-03930	6 - 41	A303-000041	2 - 3
100014-60930	1 - 7	900106-05020	1 - 19	A320-000183	6 - 1
100015-04630	1 - 6	900106-05030	1 - 24	A365-000050	4 - 7
100142-12330	1 - 30	900162-04025	5 - 29	A365-000050	4 - 7
100910-18830	5 - 17	900162-05025	1 - 2	A409-000170	3 - 1
100918-15130	5 - 18	900238-04012	4 - 4	A411-000150	3 - 8
123110-03930	7 - 4	900238-05012	1 - 34	A425-000000	3 - 14
123112-15030	7 - 6	900238-05022	3 - 9	A426-000010	3 - 15
123113-37530	7 - 18	900238-05050	2 - 10	A427-000013	3 - 16
123114-38830	7 - 20	900250-04008	2 - 7	A506-000460	3 - 26
123116-10530	7 - 21	900253-04010	1 - 18	A507-000110	3 - 28
123118-02261	7 - 24	900253-04012	1 - 21	A514-000020	3 - 4
123120-52131	7 - 32	900253-04012	6 - 15	A551-000010	6 - 9
123122-39830	7 - 11	900253-04012	6 - 22	A552-000020	6 - 6
123123-03930	7 - 14	900253-04016	6 - 2	C022-000020	4 - 30
123124-24430	7 - 3	900253-05020	1 - 26	C032-000206	6 - 21
123125-15030	7 - 5	900253-05020	1 - 28	C300-000242	6 - 11
123127-15030	7 - 23	900253-05020	5 - 8	C304-000000	1 - 27
123130-02960	7 - 25	900256-04016	3 - 30	C305-000080	1 - 15
123132-35430	7 - 27	900256-04016	5 - 5	C309-000030	6 - 16
123133-04260	7 - 16	900256-04016	5 - 6	C320-000034	6 - 23
123134-04260	7 - 17	900330-30260	6 - 24	C328-000030	6 - 33
123137-19830	7 - 7	900515-00008	3 - 2	C334-000070	6 - 30
123138-03930	7 - 13	900562-50005	6 - 28	C345-000084	6 - 36
123139-03930	7 - 12	900603-00005	3 - 6	C400-000160	5 - 7
123140-03930	7 - 8	900720-00018	4 - 6	C450-000010	5 - 9
123142-03930	7 - 10	900720-00018	4 - 6	C454-000070	5 - 10
123146-10631	7 - 15	900724-00004	1 - 25	C460-000002	5 - 12
123149-26030	7 - 30	91107-05040	2 - 6	C626-000040	5 - 27
130020-33330	5 - 4	91318-05032	6 - 25	C646-000040	5 - 28
131205-14930	4 - 19	91481-04035	5 - 25	P003-000010	7 - 31
131300-56431	4 - 21	93050-30098	6 - 34	P003-000380	7 - 22
132115-01461	4 - 13	94035-36201	1 - 10	P003-000480	7 - 19
145510-13931	2 - 4	A021-000864	2 - 8	P003-001140	7 - 26
150117-16430	3 - 10	A021-000864	7 -	P003-001470	7 - 28
156110-04920	3 - 13	A051-000794	3 - 20	P003-001510	7 - 29
162010-55930	3 - 11	A056-000070	6 - 5	P003-001850	7 - 9
163911-30130	1 - 22	A127-000050	1 - 20	P003-005040	7 - 2
175005-39133	6 - 3	A172-000501	3 - 18	P021-005491	1 - 1
177234-35430	3 - 3	A202-000033	5 - 30	P021-005501	1 - 3
177236-61830	3 - 29	A204-000041	2 - 9	P021-005581	4 - 8
177247-04630	3 - 5	A226-000180	2 - 12	P021-005591	4 - 5
433019-03933	6 - 12	A232-000160	2 - 13	P021-005810	6 - 7
433026-35430	1 - 36	A235-000040	2 - 14	P021-008678	1 - 23
433116-35430	6 - 31	A239-000000	5 - 2	P021-009930	2 - 1
433167-39130	6 - 26	A240-000010	5 - 13	P021-010703	1 - 9
436114-13930	4 - 9	A253-000043	5 - 1	P021-010890	4 - 29
436205-02832	4 - 10	A300-000370	2 - 2	P021-011510	5 - 3

Index

Patrs Number	Key No.	Patrs Number	Key No.	Patrs Number	Key No.
P022-001330	3 - 24	X698-000050	6 - 44		
P022-005891	3 - 23				
P022-008440	3 - 25				
P022-008772	3 - 21				
V137-000000	4 - 22				
V137-000020	4 - 20				
V186-000510	4 - 26				
V202-000000	5 - 16				
V203-000041	6 - 17				
V203-000080	3 - 7				
V224-000031	1 - 17				
V308-000030	4 - 27				
V351-000000	5 - 31				
V352-000020	5 - 26				
V353-000060	6 - 27				
V355-000140	6 - 20				
V356-000290	4 - 28				
V359-000060	1 - 32				
V376-000450	6 - 35				
V400-000070	5 - 15				
V450-000070	6 - 32				
V451-000470	6 - 8				
V452-000010	5 - 11				
V452-000110	6 - 29				
V452-001320	3 - 27				
V470-000321	4 - 17				
V470-000482	1 - 35				
V471-000740	4 - 11				
V471-000750	4 - 16				
V471-000760	4 - 14				
V475-002390	3 - 17				
V485-000140	3 - 12				
V485-000340	5 - 21				
V486-000010	5 - 20				
V490-001230	4 - 12				
V490-001240	4 - 18				
V505-000011	1 - 11				
V553-000040	1 - 8				
V555-000150	6 - 4				
V651-000001	6 - 19				
V651-000011	6 - 18				
V652-000030	4 - 31				
X122-000072	6 - 45				
X502-000102	3 - 31				
X502-000340	6 - 42				
X503-006210	2 - 15				
X505-000180	3 - 32				
X505-002440	6 - 48				
X524-000910	5 - 22				

YAMABIKO CORPORATION

7-2 SUEHIROCHO 1-CHOME, OHME, TOKYO 198-8760, JAPAN
PHONE: 81-428-32-6118. FAX: 81-428-32-6145.

ECHO®



12lb
No. 05-064