



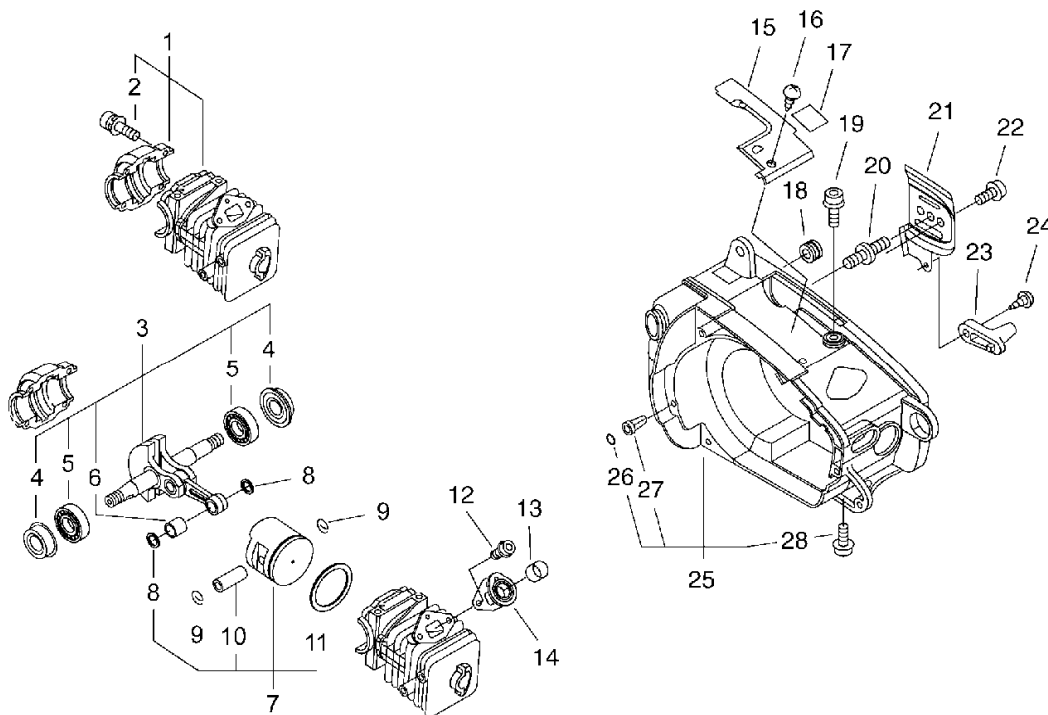
PARTS CATALOG

TOP HANDLE SAW CS-260T(36)

36004891 -

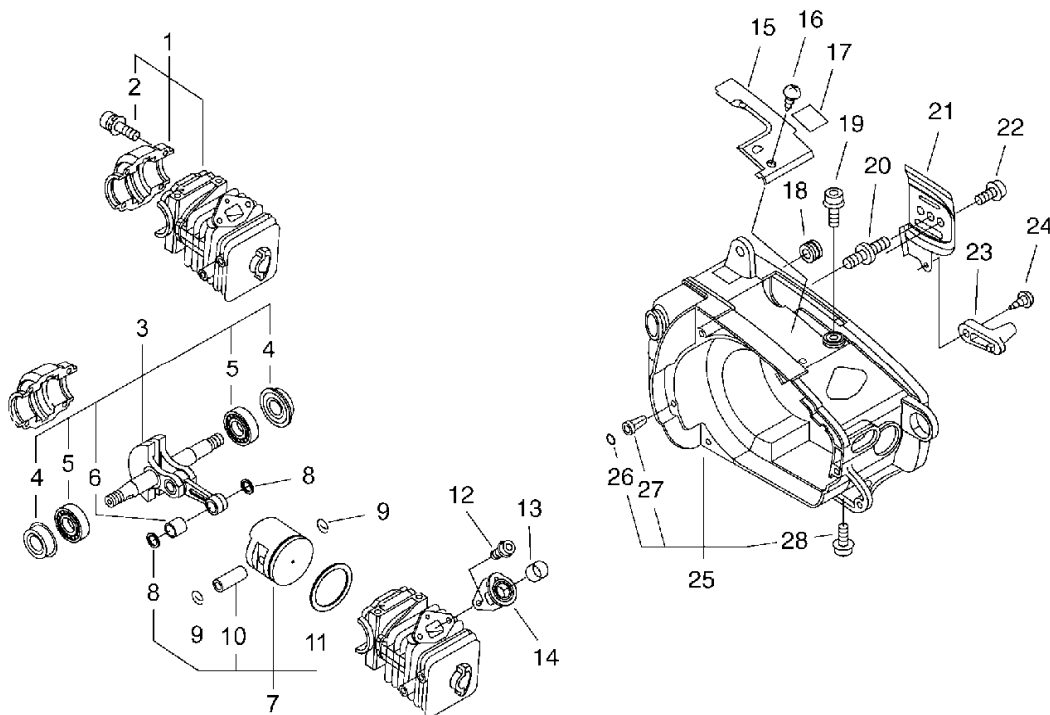
P014-000430-10Hb

1. CYLINDER, CRANKCASE, PISTON



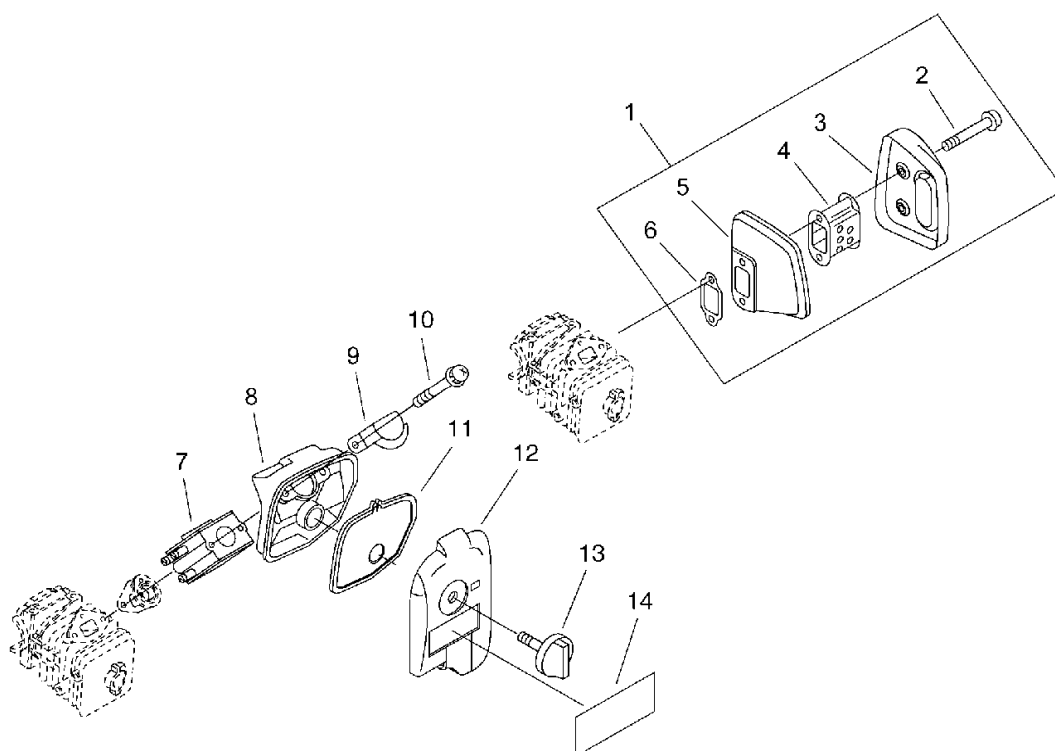
KEY	LV	PART NUMBER	Q'TY	DESCRIPTION	REMARKS	NOTE1	NOTE2
1		P021-011230	1	CRANKCASE SET			
2	+	900162-05022	4	BOLT, H.S. 5*22	5*22 W,SW		
3		P021-011220	1	CRANKSHAFT ASY			
3		P021-011221	1	CRANKSHAFT ASY			
4	+	V505-000000	2	SEAL,OIL	12*28*5.5		
5	+	900800-36001	2	BEARING, BALL 6001	6001/C3		
6	+	V553-000020	1	BEARING,NEEDLE 8	KBK8X11X8.8X4		
7		P021-002150	1	PISTON KIT			
8	+	100014-55930	2	SPACER, PISTON PIN			
9	+	100015-04630	2	CIRCLIP, PISTON PIN			
10	+	100013-22330	1	PIN, PISTON			
11	+	100011-05731	1	RING, PISTON			
12		900162-04012	2	BOLT, H.S. 4*12	4*12 W,SW		
13		V358-000020	1	COLLAR,14			
13		V358-000021	1	COLLAR,14			
14		A202-000001	1	BELLOWS,INTAKE			
15		A127-000021	1	COVER,DUST			
16		900253-04012	2	SCREW	4*12		
17		X505-002440	1	LABEL,CAUTION			
18		163911-30130	1	PLUG			
19		900106-05016	2	BOLT, H.S. 5*16	5*16		
20		V225-000030	1	BOLT,STUD 8			
21		C305-000022	1	PLATE,SPROCKET GUARD			
22		V202-000011	2	BOLT,4	4*12		
23		433026-35430	1	CATCHER, CHAIN			

1. CYLINDER, CRANKCASE, PISTON



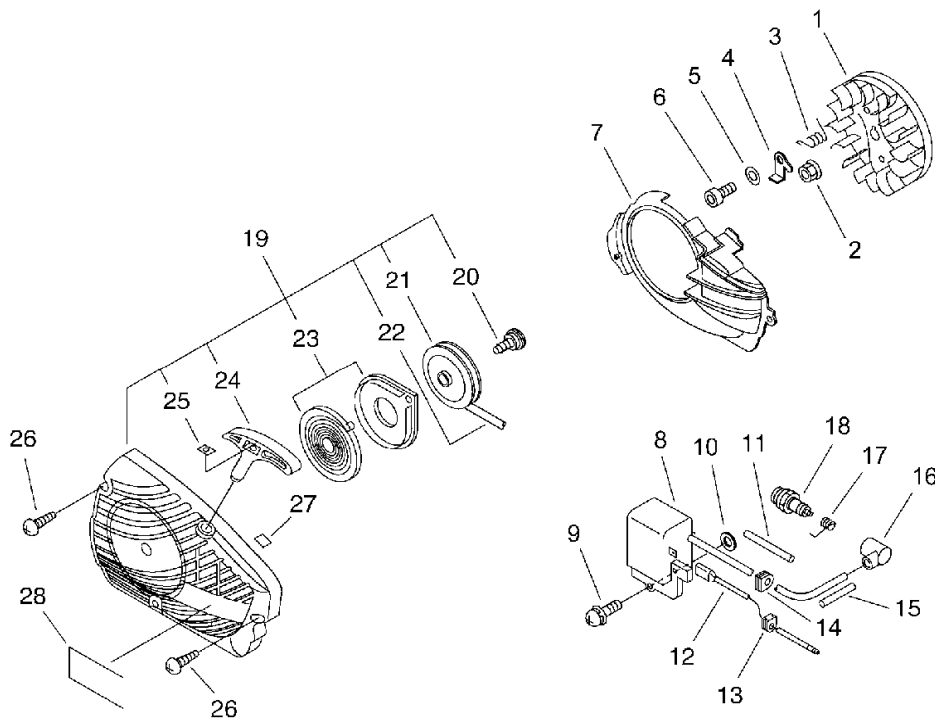
KEY	LV	PART NUMBER	Q'TY	DESCRIPTION	REMARKS	NOTE1	NOTE2
24		900253-05020	1	SCREW 5*20	5*20		
25		P021-003436	1	COVER ENGINE			
25		P021-003437	1	COVER ENGINE			
NA	+	A190-000059	1	COVER,ENGINE			
NA	+	A190-001110	1	COVER,ENGINE			
26	+	900724-00004	1	O-RING (S-4)	S-4		
27	+	436114-13930	1	VALVE, CHECK			
28	+	900106-05025	2	BOLT, H.S. 5*25	5*25		

2. AIR CLEANER, MUFFLER



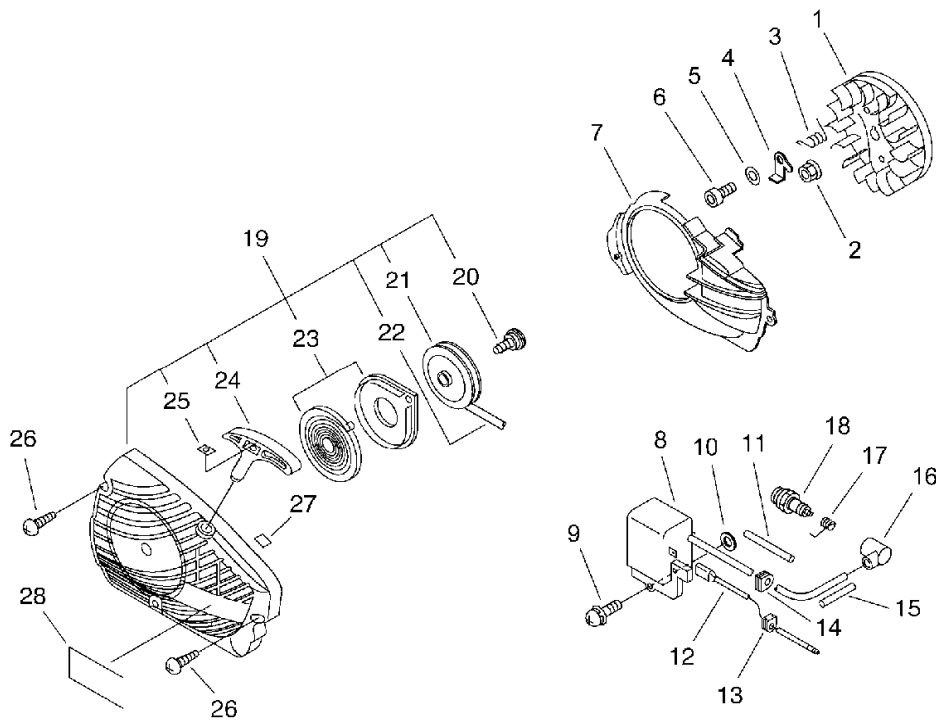
KEY	LV	PART NUMBER	Q'TY	DESCRIPTION	REMARKS	NOTE1	NOTE2
1		P021-003436	1	COVER ENGINE			
2	+	91107-05040	2	BOLT HSH FLANGE	5*40		
3	+	A303-000000	1	LID,MUFFLER			
4	+	A301-000000	1	PLATE,MUFFLER			
5	+	A300-000130	1	MUFFLER,EXHAUST			
6	+	145510-13931	1	GASKET, MUFFLER			
7		A021-001400	1	CARBURETOR,DIAPHRAGM	WT-843		
7		A021-001401	1	CARBURETOR,DIAPHRAGM	WT-843		
8		A225-000023	1	CASE,CLEANER			
8		A225-000024	1	CASE,CLEANER			
9		A244-000000	1	PLATE,PREVENT			
10		900238-05050	2	SCREW 5*50	5*50		
11		A226-000050	1	ELEMENT,AIR FILTER			
12		A232-000061	1	LID,CLEANER			
13		A235-000040	1	KNOB,CLEANER LID			
14		X503-007620	1	LABEL,MODEL	CS-260T		

3. STARTER, MAGNETO



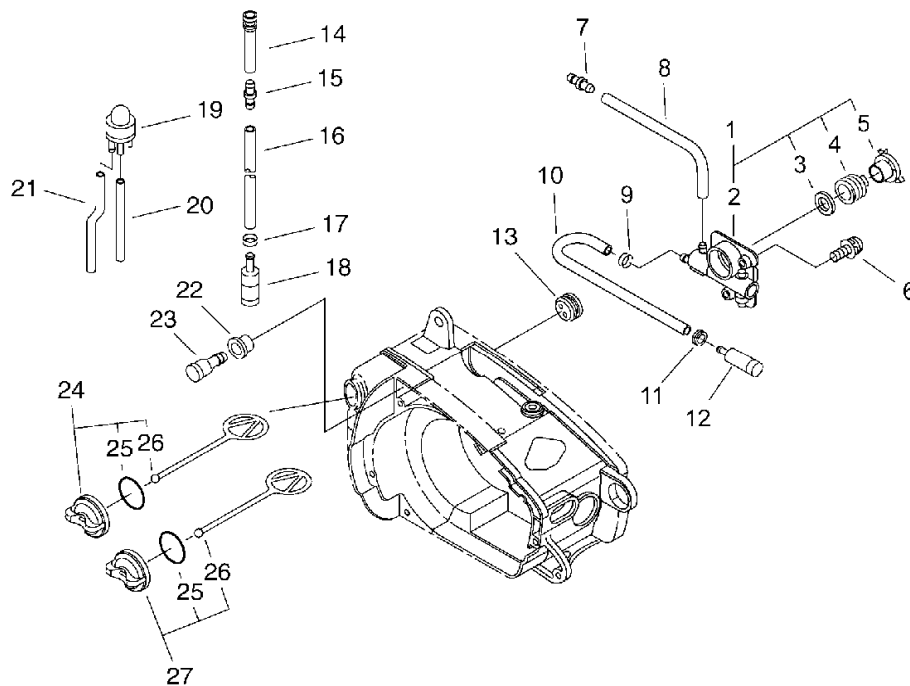
KEY	LV	PART NUMBER	Q'TY	DESCRIPTION	REMARKS	NOTE1	NOTE2
1		A409-000040	1	ROTOR,MAGNETO			
2		900515-00008	1	NUT, FLANGE 8	8		
3		V452-000030	2	SPRING,TORSION			
4		A514-000000	2	PAWL			
5		900603-00005	2	WASHER 5	5.5*12*0.8		
6		V203-000100	2	BOLT,5	M5*16		
7		A172-000112	1	COVER,FAN			
8		A411-000340	1	COIL, IGNITION	ID#10475		
9		900238-05022	2	SCREW 5*22	5*22		
10		150117-16430	2	SPACER			
11		V475-001900	1	TUBE	7*8.6*30		
12		V485-000140	1	LEAD			
13		156114-07320	1	GROMMET			
14		156110-04920	1	BUSHING			
15		V475-003550	1	TUBE	HST-10 7*8.6*50		
16		A427-000013	1	CAP, SPARK PLUG			
17		A426-000010	1	TERMINAL, SPARKPLUG			
18		159010-10230	1	PLUG, SPARK (BPMR-7A)	BPMR-7A		
19		A051-000031	1	STARTER, RECOIL			
20	+	177236-44330	1	SCREW			
21	+	P022-005870	1	DRUM, STARTER			
22	+	P022-005860	1	ROPE, STARTER			
23	+	P022-001330	1	SPRING KIT, REWIND			
24	+	P022-001320	1	GRIP, STARTER			
25	+	177246-11120	1	CLIP, STARTER ROPE			

3. STARTER, MAGNETO



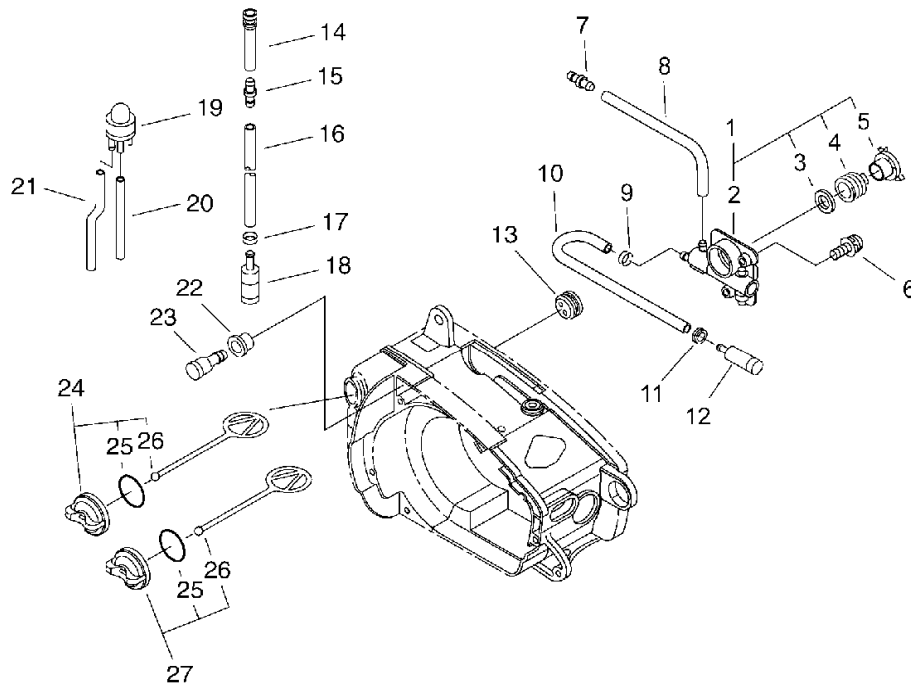
KEY	LV	PART NUMBER	Q'TY	DESCRIPTION	REMARKS	NOTE1	NOTE2
26		900256-04016	3	SCREW 4*16			
27		890631-38230	1	LABEL, CAUTION			
28		X502-000350	1	LABEL,ECHO	56.5ES-START		

4. AUTO-OILER



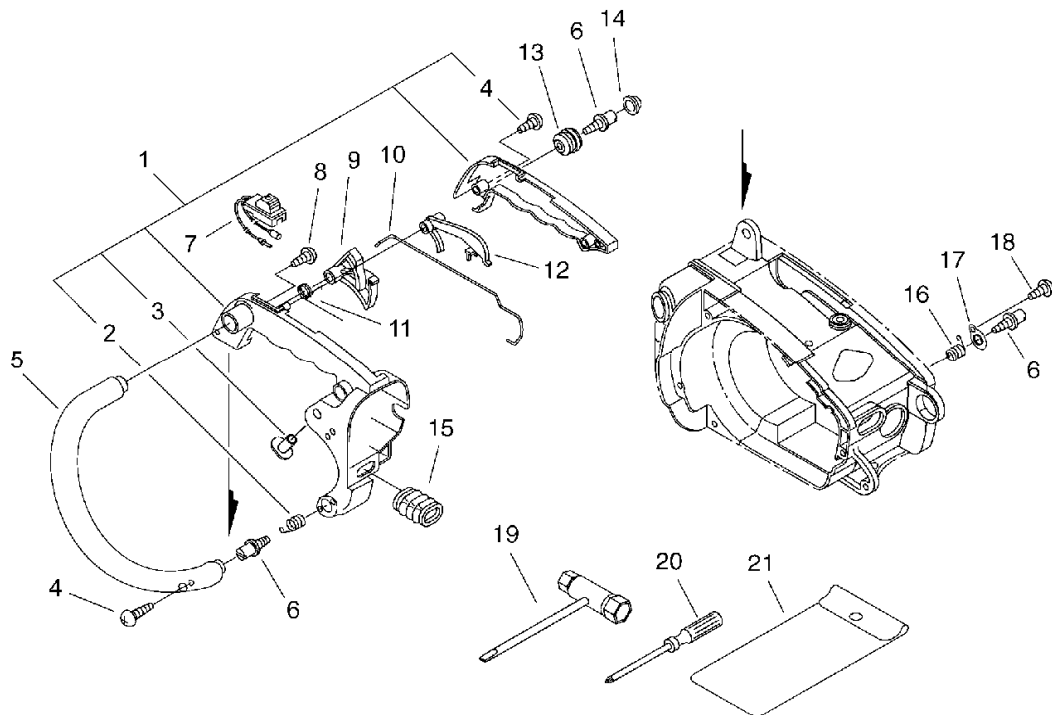
KEY	LV	PART NUMBER	Q'TY	DESCRIPTION	REMARKS	NOTE1	NOTE2
1		P021-010890	1	AUTO-OILER ASY			
2	+	C022-000020	1	AUTO-OILER ASSEMBLY			
3	+	V308-000030	1	WASHER,CIRCULAR 11	10.5*17.4*1.8		
4	+	V652-000030	1	GEAR,WORM			
5	+	V356-000290	1	COLLAR,10			
6		900238-04012	2	SCREW 4*12	4*12		
7		V187-000010	1	NIPPLE			
8		132012-11960	1	PIPE 3* 6* 45	3*6*45 NBR		
9		132013-26630	1	CLIP	6.5MM		
10		132010-22130	1	PIPE, FUEL	3*6*150L NBR		
11		132115-01461	1	GROMMET			
12		436205-02832	1	STRAINER, OIL			
13		132115-44330	1	GROMMET			
14		V470-000320	1	PIPE			
15		V186-000020	1	JOINT,PIPE			
16		V471-001230	1	PIPE	3*5*210 NBR		
17		132013-09820	1	CLIP	6MM		
18		131205-14930	1	STRAINER,FUEL			
19		123181-39130	1	PUMP, PRIMER			
20		V471-001260	1	PIPE	2.4*5*150		
21		V471-001250	1	PIPE	2.4*5*250		
22		V137-000000	1	GROMMET,FUEL			
23		131300-56430	1	VALVE, CHECK			
24		P021-005591	1	CAP ASY			
25	+	900720-00018	1	O-RING 18	P-18		

4. AUTO-OILER



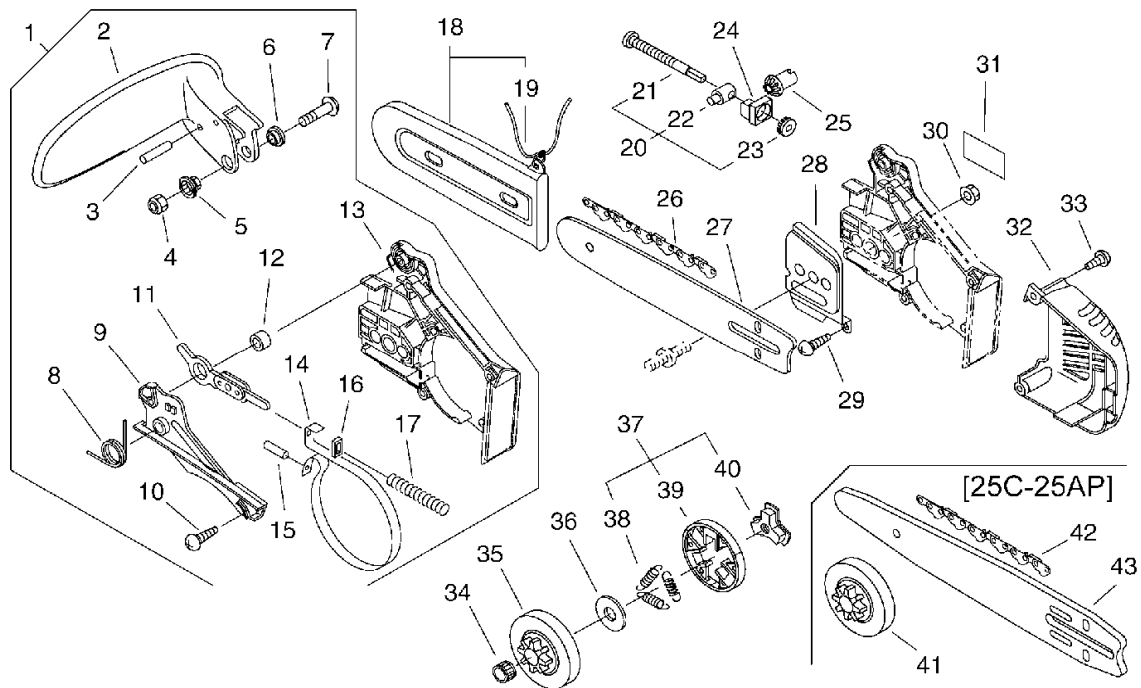
KEY	LV	PART NUMBER	Q'TY	DESCRIPTION	REMARKS	NOTE1	NOTE2
26	+	A365-000050	1	CONNECTOR,CAP			
27		P021-005581	1	OIL CAP ASY			
25	+	900720-00018	1	O-RING 18	P-18		
26	+	A365-000050	1	CONNECTOR,CAP			

5. HANDLE



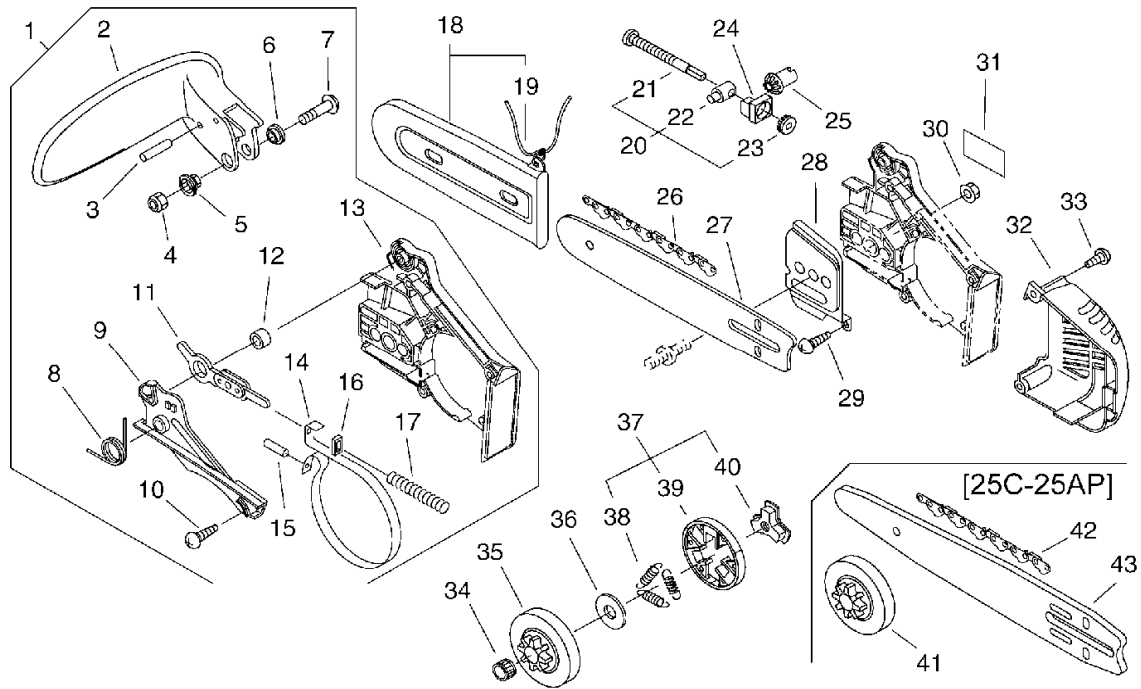
KEY	LV	PART NUMBER	Q'TY	DESCRIPTION	REMARKS	NOTE1	NOTE2
1		P021-001963	1	HANDLE SET, REAR			
2	+	V450-000340	1	SPRING, COMPRESSION	ES		
3	+	130020-33330	2	NUT			
4	+	900256-04016	4	SCREW 4*16			
4		900256-04016	2	SCREW 4*16			
5		C400-000050	1	HANDLE, FRONT			
6		V202-000000	3	BOLT, 4			
7		A440-000211	1	SWITCH, ON OFF			
8		900253-05020	1	SCREW 5*20	5*20		
9		C450-000010	1	TRIGGER, THROTTLE			
10		C454-000051	1	ROD, THROTTLE			
11		V452-000010	1	SPRING, TORSION			
12		C460-000002	1	LOCKOUT, THROTTLE			
13		100921-39131	1	CUSHION			
14		100918-15130	1	CAP			
15		A239-000000	1	PIPE, INTAKE			
16		V450-000080	1	SPRING, COMPRESSION			
17		V150-000420	1	PLATE, EYE			
18		900253-04012	1	SCREW	4*12		
19		895410-02830	1	WRENCH, W/S. DRIVER			
20		895812-03930	1	DRIVER, SCREW 50			
21		898510-07130	1	BAG, TOOL			

6. CLUTCH, SPROCKET, CHAIN BRAKE



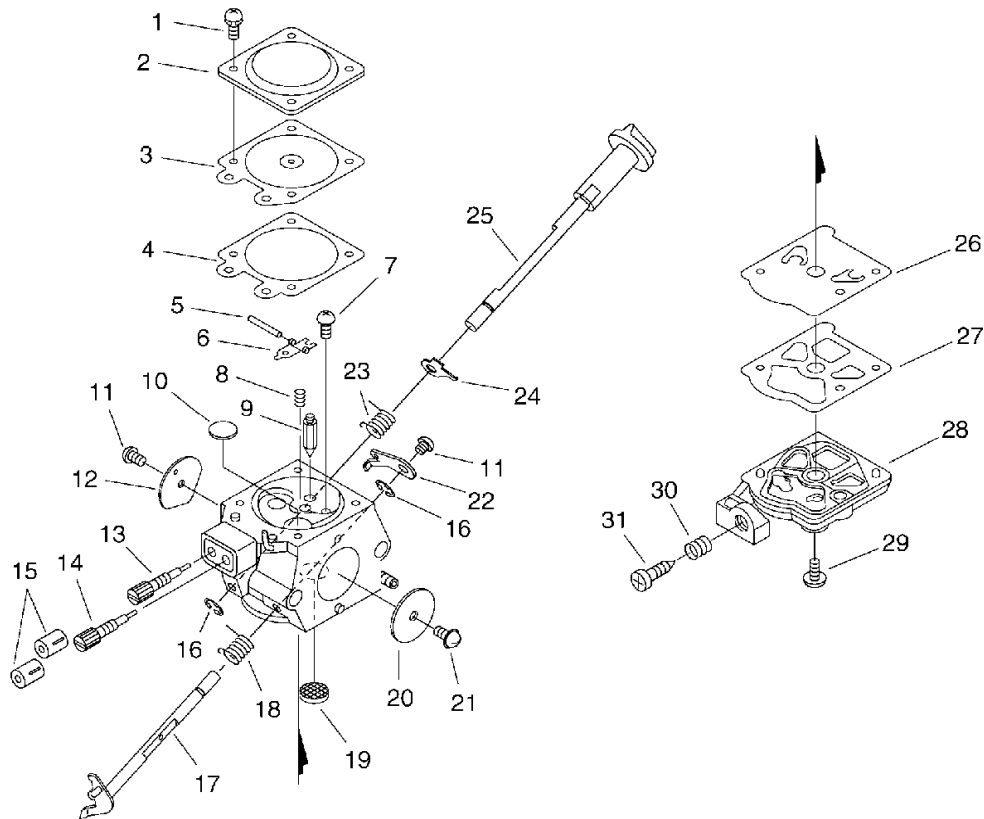
KEY	LV	PART NUMBER	Q'TY	DESCRIPTION	REMARKS	NOTE1	NOTE2
1		C032-000167	1	BRAKE,ASM CHAIN			
2	+	C320-000034	1	LEVER,BRAKE			
3	+	900330-30260	2	ROLLER 3*26	3*26		
4	+	900562-50005	1	LOCKNUT 5	5		
5	+	V353-000060	1	COLLAR,5			
6	+	433167-39130	1	SPACER			
7	+	91318-05032	1	SCREW	5*32		
8	+	V452-000110	1	SPRING,TORSION			
9	+	C345-000112	1	COVER,BRAKE			
9	+	C345-000113	1	COVER,BRAKE			
10	+	900253-04012	2	SCREW	4*12		
11	+	C334-000070	1	CONNECTOR,BRAKE			
12	+	433116-35430	1	SPACER 8	8*12*9		
13	+	C300-000170	1	GUARD,SPROCKET			
14	+	C328-000020	1	BAND,BRAKE			
15	+	93050-30098	1	ROLLER	F3*9.8		
16	+	V376-000450	1	SPACER			
17	+	V450-000070	1	SPRING,COMPRESSION			
18		P021-002010	1	CHAIN SCABBARD			
19	+	898568-14530	1	ROPE	5*900		
20		P021-000063	1	TENSIONER,CHAIN ASY			
21	+	V203-000021	1	BOLT,5			
22	+	C309-000030	1	TENSIONER,CHAIN			
23	+	V651-000011	1	GEAR,BEVEL			
24		V355-000270	1	COLLAR,8			
25		V651-000001	1	GEAR,BEVEL			

6. CLUTCH, SPROCKET, CHAIN BRAKE



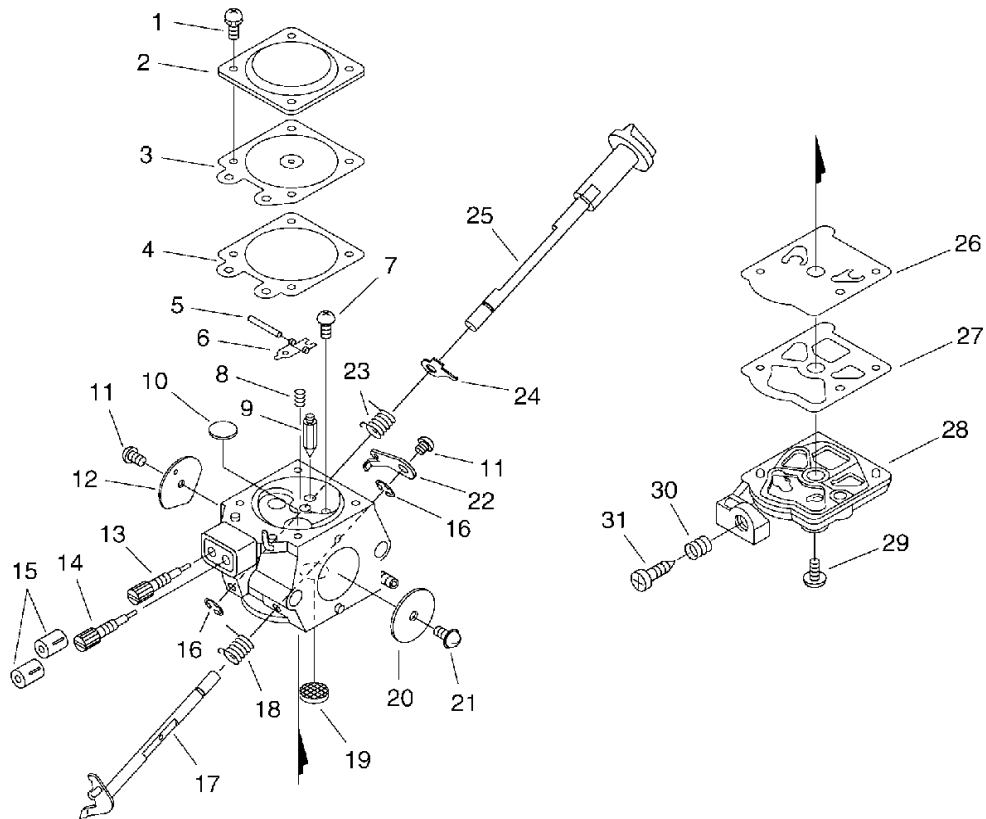
KEY	LV	PART NUMBER	Q'TY	DESCRIPTION	REMARKS	NOTE1	NOTE2
26		X221-000000	1	CHAIN,SAW	91VG-40E		
27		X121-000002	1	BAR,GUIDE25RC50S-3/8	25RC50S-3/8		
28		C305-000031	1	PLATE,SPROCKET GUARD			
29		900253-04010	1	SCREW 4*10	4*10		
30		433019-12330	1	NUT, FLANGE 8	M-8		
31		X502-000340	1	LABEL,ECHO	ECHO(WHITE)		
32		A320-000022	1	COVER,MUFFLER			
32		A320-000023	1	COVER,MUFFLER			
33		900253-04016	2	SCREW 4*16	4*16		
34		175012-35630	1	BEARING, NEEDLE	10*13*10		
35		A556-000091	1	DRUM,CLUTCH	3/8A		
36		A551-000010	1	PLATE,CLUTCH			
37		A056-000030	1	CLUTCH			
38	+	V451-000150	3	SPRING,TENSION			
39	+	P021-001950	1	CLUTCH SHOE SET			
40	+	A552-000020	1	HUB,CLUTCH			

7-1. CARBURETOR



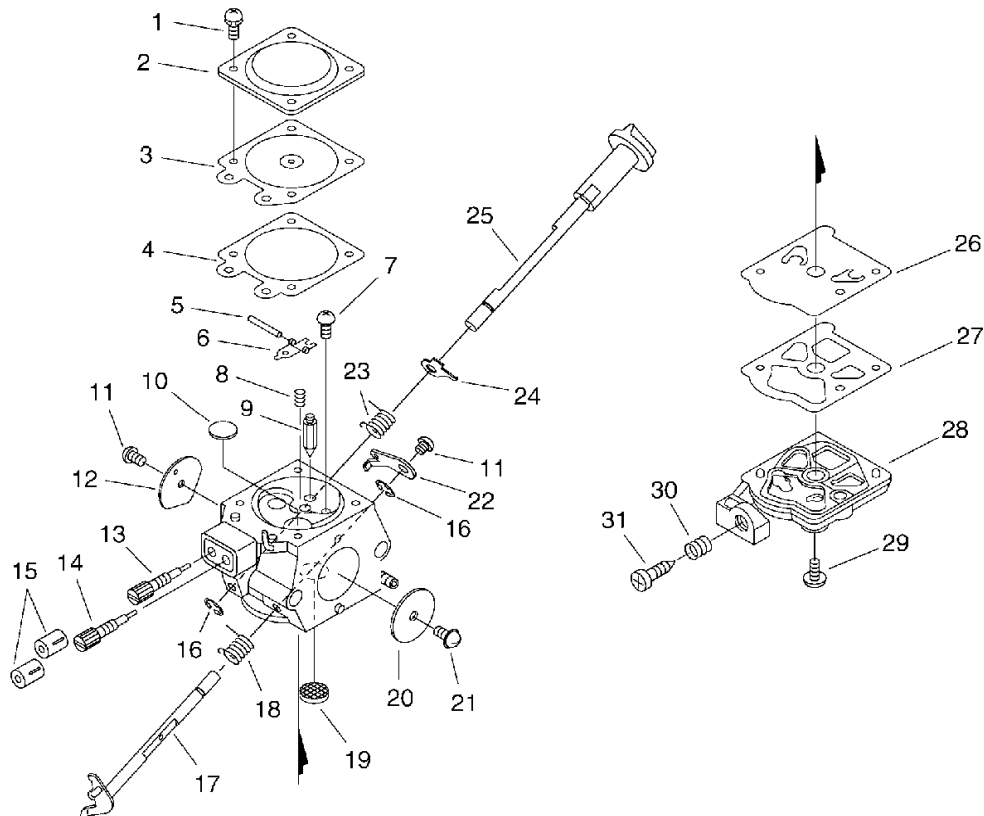
KEY	LV	PART NUMBER	Q'TY	DESCRIPTION	REMARKS	NOTE1	NOTE2
		A021-001400	1	CARBURETOR,DIAPHRAGM	WT-843		
1	+	123130-02960	4	SCREW			
2	+	123142-03930	1	COVER, M. DIAPHRAGM			
3	+	123141-03930	1	DIAPHRAGM, METERING			
4	+	123138-03930	1	PIN, METERING LEVER			
5	+	123123-03930	1	LEVER, METERING			
6	+	123139-03930	1	SCREW, M. LEVER PIN			
7	+	123139-03930	1	SCREW, M. LEVER PIN			
8	+	123122-03660	1	SPRING, METER. LEVER			
9	+	123137-19830	1	VALVE, INLET NEEDLE			
10	+	123146-10631	1	PLUG, WELCH			
11	+	123114-38830	2	SCREW			
12	+	123132-35430	1	VALVE, CHOKE			
13	+	123120-03661	1	NEEDLE			
14	+	123118-02261	1	NEEDLE			
15	+	P003-000010	2	LIMITER CAP			
16	+	123127-15030	2	RING			
17	+	P003-001300	1	SHAFT, THROTTLE			
18	+	123113-37530	1	SPRING, THROTTLE RTN			
19	+	123126-10631	1	SCREEN, INLET			
20	+	123116-05960	1	VALVE, THROTTLE			
21	+	123114-05260	1	SCREW			
22	+	P003-000380	1	THROTTLE, LEVER			
23	+	P003-001470	1	SPRING			
24	+	P003-001510	1	LEVER-FAST IDLE			
25	+	P003-000400	1	SHAFT-CHOKE(MOLD)			

7-1. CARBURETOR



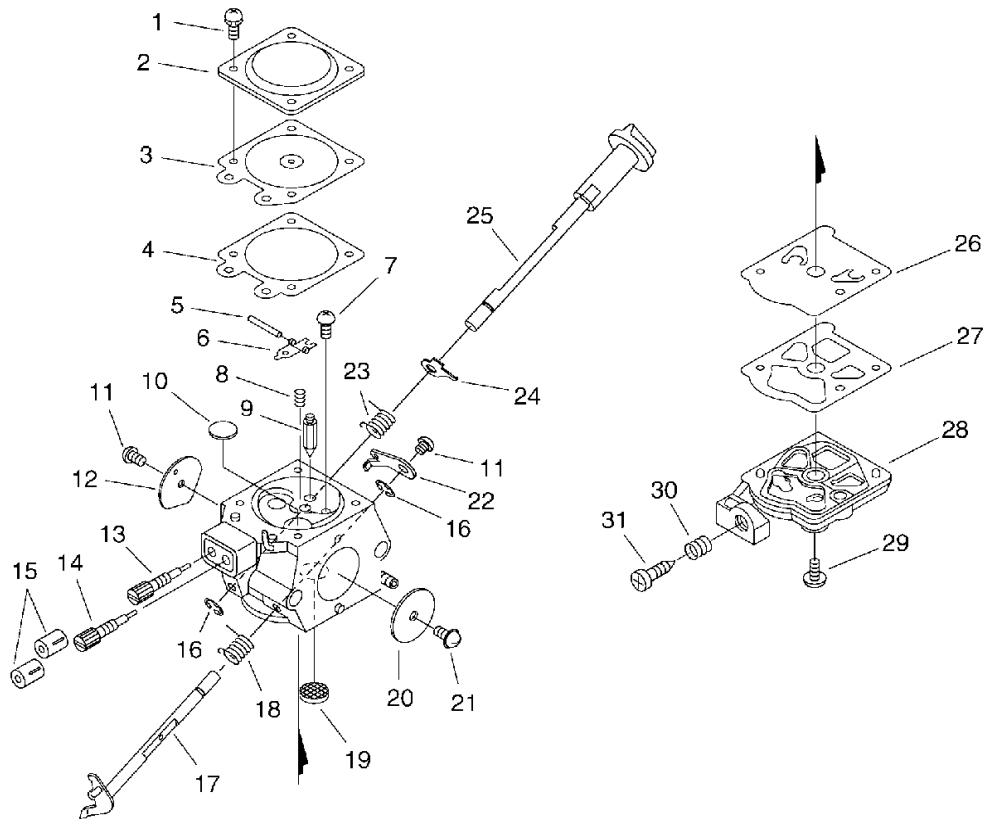
KEY	LV	PART NUMBER	Q'TY	DESCRIPTION	REMARKS	NOTE1	NOTE2
26	+	123112-15030	1	DIAPHRAGM, FUEL PUMP			
27	+	123125-15030	1	GASKET, FUEL PUMP			
28	+	123124-24430	1	COVER, FUEL PUMP			
29	+	123110-03930	1	SCREW, PUMP COVER			
30	+	123133-04260	1	SPRING, IDLE ADJUST			
31	+	123134-04260	1	SCREW, IDLE ADJUST			

7-2. CARBURETOR



KEY	LV	PART NUMBER	Q'TY	DESCRIPTION	REMARKS	NOTE1	NOTE2
		A021-001401	1	CARBURETOR,DIAPHRAGM	WT-843		
1	+	123130-02960	4	SCREW			
2	+	123142-03930	1	COVER, M. DIAPHRAGM			
3	+	P003-001850	1	DIAPHRAGM, METERING			
4	+	123140-27230	1	GASKET,M. DIAPHRAGM			
5	+	123138-03930	1	PIN, METERING LEVER			
6	+	123123-03930	1	LEVER, METERING			
7	+	123139-03930	1	SCREW, M. LEVER PIN			
8	+	123122-03660	1	SPRING, METER. LEVER			
9	+	123137-19830	1	VALVE, INLET NEEDLE			
10	+	123146-10631	1	PLUG, WELCH			
11	+	123114-38830	2	SCREW			
12	+	123132-35430	1	VALVE, CHOKE			
13	+	123120-03661	1	NEEDLE			
14	+	123118-02261	1	NEEDLE			
15	+	P003-000010	2	LIMITER CAP			
16	+	123127-15030	2	RING			
17	+	P003-001300	1	SHAFT, THROTTLE			
18	+	123113-37530	1	SPRING, THROTTLE RTN			
19	+	123126-10631	1	SCREEN, INLET			
20	+	123116-05960	1	VALVE, THROTTLE			
21	+	123114-05260	1	SCREW			
22	+	P003-000380	1	THROTTLE, LEVER			
23	+	P003-001470	1	SPRING			
24	+	P003-001510	1	LEVER-FAST IDLE			
25	+	P003-000400	1	SHAFT-CHOKE(MOLD)			

7-2. CARBURETOR



KEY	LV	PART NUMBER	Q'TY	DESCRIPTION	REMARKS	NOTE1	NOTE2
26	+	123112-15030	1	DIAPHRAGM, FUEL PUMP			
27	+	123125-15030	1	GASKET, FUEL PUMP			
28	+	123124-24430	1	COVER, FUEL PUMP			
29	+	123110-03930	1	SCREW, PUMP COVER			
30	+	123133-04260	1	SPRING, IDLE ADJUST			
31	+	123134-04260	1	SCREW, IDLE ADJUST			

Index

Patrs Number	Key No.	Patrs Number	Key No.	Patrs Number	Key No.
100011-05731	1 - 11	123140-27230	## - 4	900253-05020	5 - 8
100013-22330	1 - 10	123141-03930	## - 3	900256-04016	3 - 26
100014-55930	1 - 8	123142-03930	## - 2	900256-04016	5 - 4
100015-04630	1 - 9	123142-03930	## - 2	900256-04016	5 - 4
100918-15130	5 - 14	123146-10631	## - 10	900330-30260	6 - 3
100921-39131	5 - 13	123146-10631	## - 10	900515-00008	3 - 2
123110-03930	## - 29	123181-39130	4 - 19	900562-50005	6 - 4
123110-03930	## - 29	130020-33330	5 - 3	900603-00005	3 - 5
123112-15030	## - 26	131205-14930	4 - 18	900720-00018	4 - 25
123112-15030	## - 26	131300-56430	4 - 23	900720-00018	4 - 25
123113-37530	## - 18	132010-22130	4 - 10	900724-00004	1 - 26
123113-37530	## - 18	132012-11960	4 - 8	900800-36001	1 - 5
123114-05260	## - 21	132013-09820	4 - 17	91107-05040	2 - 2
123114-05260	## - 21	132013-26630	4 - 9	91318-05032	6 - 7
123114-38830	## - 11	132115-01461	4 - 11	93050-30098	6 - 15
123114-38830	## - 11	132115-44330	4 - 13	A021-001400	2 - 7
123116-05960	## - 20	145510-13931	2 - 6	A021-001400	## -
123116-05960	## - 20	150117-16430	3 - 10	A021-001401	2 - 7
123118-02261	## - 14	156110-04920	3 - 14	A021-001401	## -
123118-02261	## - 14	156114-07320	3 - 13	A051-000031	3 - 19
123120-03661	## - 13	159010-10230	3 - 18	A056-000030	6 - 37
123120-03661	## - 13	163911-30130	1 - 18	A127-000021	1 - 15
123122-03660	## - 8	175012-35630	6 - 34	A172-000112	3 - 7
123122-03660	## - 8	177236-44330	3 - 20	A190-000059	1 - NA
123123-03930	## - 5	177246-11120	3 - 25	A190-001110	1 - NA
123123-03930	## - 6	433019-12330	6 - 30	A202-000001	1 - 14
123124-24430	## - 28	433026-35430	1 - 23	A225-000023	2 - 8
123124-24430	## - 28	433116-35430	6 - 12	A225-000024	2 - 8
123125-15030	## - 27	433167-39130	6 - 6	A226-000050	2 - 11
123125-15030	## - 27	436114-13930	1 - 27	A232-000061	2 - 12
123126-10631	## - 19	436205-02832	4 - 12	A235-000040	2 - 13
123126-10631	## - 19	890631-38230	3 - 27	A239-000000	5 - 15
123127-15030	## - 16	895410-02830	5 - 19	A244-000000	2 - 9
123127-15030	## - 16	895812-03930	5 - 20	A300-000130	2 - 5
123130-02960	## - 1	898510-07130	5 - 21	A301-000000	2 - 4
123130-02960	## - 1	898568-14530	6 - 19	A303-000000	2 - 3
123132-35430	## - 12	900106-05016	1 - 19	A320-000022	6 - 32
123132-35430	## - 12	900106-05025	1 - 28	A320-000023	6 - 32
123133-04260	## - 30	900162-04012	1 - 12	A365-000050	4 - 26
123133-04260	## - 30	900162-05022	1 - 2	A365-000050	4 - 26
123134-04260	## - 31	900238-04012	4 - 6	A409-000040	3 - 1
123134-04260	## - 31	900238-05022	3 - 9	A411-000340	3 - 8
123137-19830	## - 9	900238-05050	2 - 10	A426-000010	3 - 17
123137-19830	## - 9	900253-04010	6 - 29	A427-000013	3 - 16
123138-03930	## - 4	900253-04012	1 - 16	A440-000211	5 - 7
123138-03930	## - 5	900253-04012	5 - 18	A514-000000	3 - 4
123139-03930	## - 6	900253-04012	6 - 10	A551-000010	6 - 36
123139-03930	## - 7	900253-04016	6 - 33	A552-000020	6 - 40
123139-03930	## - 7	900253-05020	1 - 24	A556-000091	6 - 35

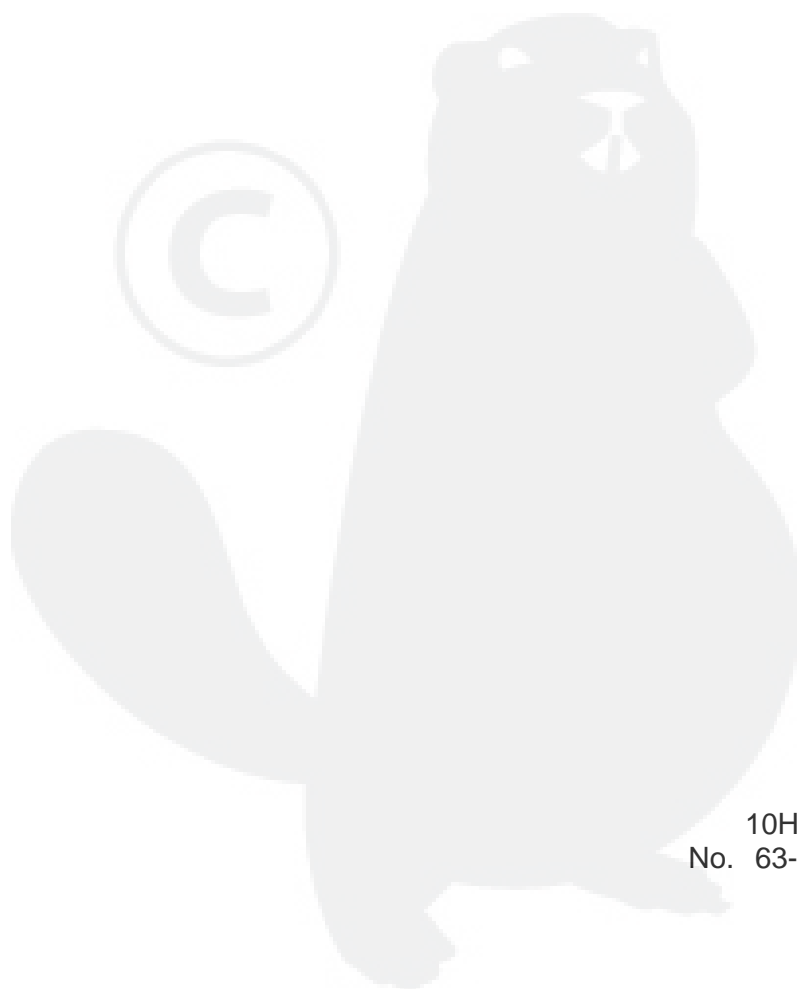
Index

Patrs Number	Key No.	Patrs Number	Key No.	Patrs Number	Key No.
C022-000020	4 - 2	V187-000010	4 - 7		
C032-000167	6 - 1	V202-000000	5 - 6		
C300-000170	6 - 13	V202-000011	1 - 22		
C305-000022	1 - 21	V203-000021	6 - 21		
C305-000031	6 - 28	V203-000100	3 - 6		
C309-000030	6 - 22	V225-000030	1 - 20		
C320-000034	6 - 2	V308-000030	4 - 3		
C328-000020	6 - 14	V353-000060	6 - 5		
C334-000070	6 - 11	V355-000270	6 - 24		
C345-000112	6 - 9	V356-000290	4 - 5		
C345-000113	6 - 9	V358-000020	1 - 13		
C400-000050	5 - 5	V358-000021	1 - 13		
C450-000010	5 - 9	V376-000450	6 - 16		
C454-000051	5 - 10	V450-000070	6 - 17		
C460-000002	5 - 12	V450-000080	5 - 16		
P003-000010	## - 15	V450-000340	5 - 2		
P003-000010	## - 15	V451-000150	6 - 38		
P003-000380	## - 22	V452-000010	5 - 11		
P003-000380	## - 22	V452-000030	3 - 3		
P003-000400	## - 25	V452-000110	6 - 8		
P003-000400	## - 25	V470-000320	4 - 14		
P003-001300	## - 17	V471-001230	4 - 16		
P003-001300	## - 17	V471-001250	4 - 21		
P003-001470	## - 23	V471-001260	4 - 20		
P003-001470	## - 23	V475-001900	3 - 11		
P003-001510	## - 24	V475-003550	3 - 15		
P003-001510	## - 24	V485-000140	3 - 12		
P003-001850	## - 3	V505-000000	1 - 4		
P021-000063	6 - 20	V553-000020	1 - 6		
P021-001950	6 - 39	V651-000001	6 - 25		
P021-001963	5 - 1	V651-000011	6 - 23		
P021-002010	6 - 18	V652-000030	4 - 4		
P021-002150	1 - 7	X121-000002	6 - 27		
P021-003436	1 - 25	X221-000000	6 - 26		
P021-003436	2 - 1	X502-000340	6 - 31		
P021-003437	1 - 25	X502-000350	3 - 28		
P021-005581	4 - 27	X503-007620	2 - 14		
P021-005591	4 - 24	X505-002440	1 - 17		
P021-010890	4 - 1				
P021-011220	1 - 3				
P021-011221	1 - 3				
P021-011230	1 - 1				
P022-001320	3 - 24				
P022-001330	3 - 23				
P022-005860	3 - 22				
P022-005870	3 - 21				
V137-000000	4 - 22				
V150-000420	5 - 17				
V186-000020	4 - 15				

YAMABIKO CORPORATION

7-2 SUEHIROCHO 1-CHOME, OHME, TOKYO 198-8760, JAPAN
PHONE: 81-428-32-6118. FAX: 81-428-32-6145.

ECHO®



10Hb
No. 63-115