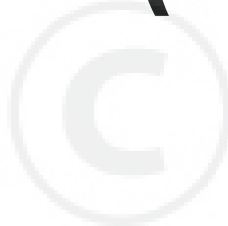




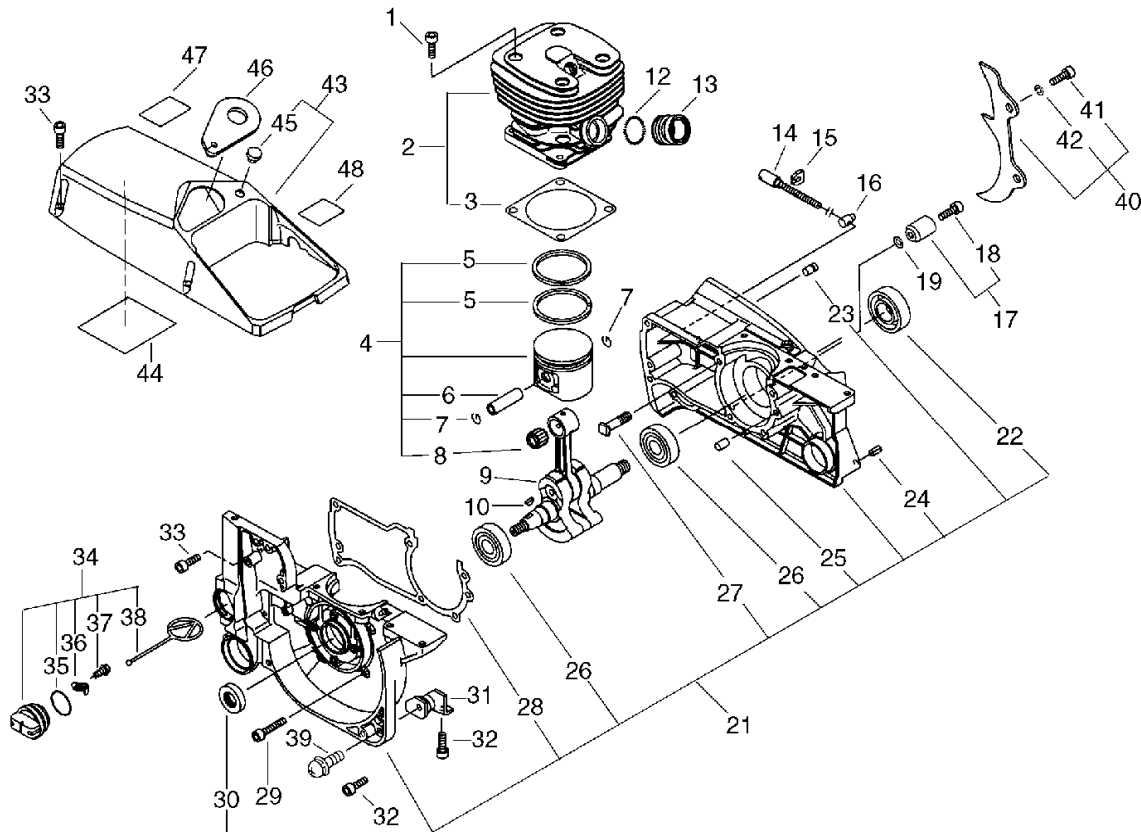
# **PARTS CATALOG**

## **CHAIN SAW CS-8001(6digits)(36)**



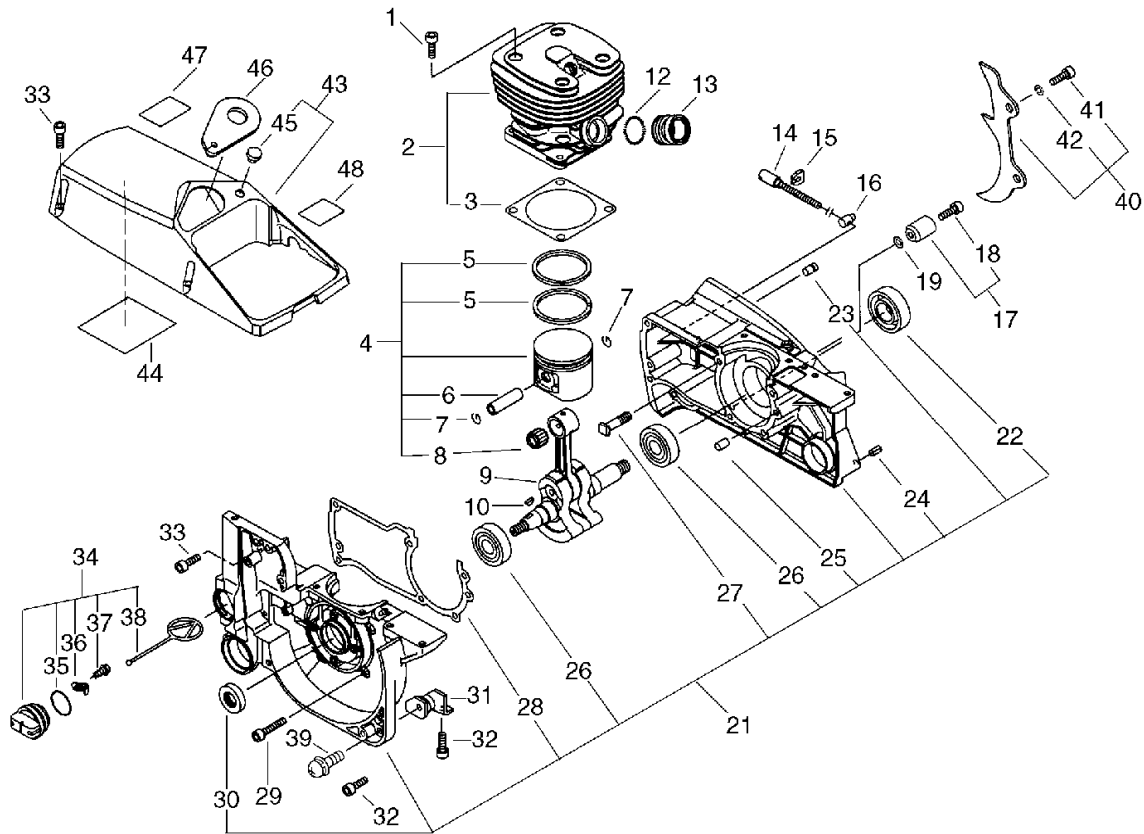
CS-8001(6digits)(36)

# 1. Cylinder, Crankcase, Piston



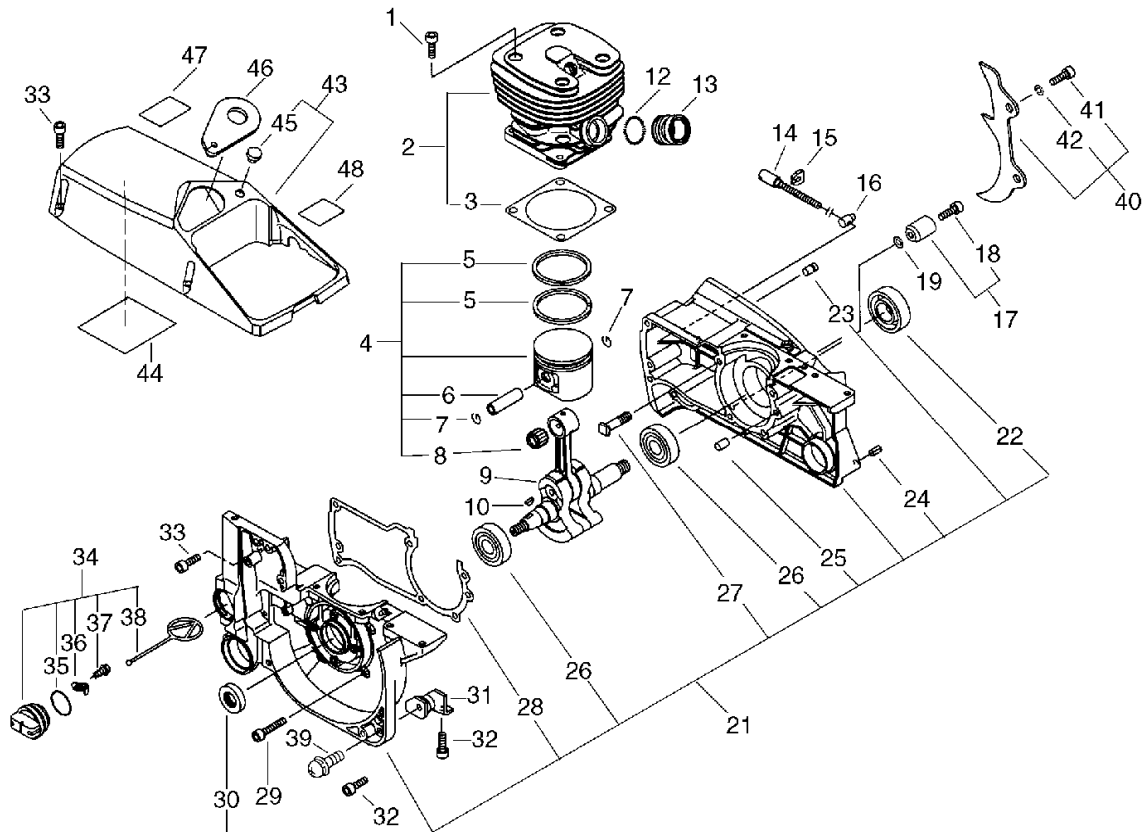
KEY	LV	PART NUMBER	Q'TY	DESCRIPTION	REMARKS	NOTE1	NOTE2
1		900162-06025	4	BOLT, H.S. 6*25	6*25 W,SW		
2		101001-30832	1	CYLINDER ASSY		Sus. by 101001-30833	
2		101001-30833	1	CYLINDER W/GASKET		Sr/Nr 36001000 and before	
2		P021-005410	1	CYLINDER ASY		Sr/Nr 36001001 and after	
3	+	101010-30830	1	GASKET, CYL. BASE			
4		100000-30831	1	PISTON KIT		Sus. by 100000-30832	
4		100000-30832	1	PISTON KIT		Sr/Nr 36001000 and before	
4		P021-005420	1	PISTON KIT		Sr/Nr 36001001 and after	
5	+	100011-30831	2	RING, PISTON			
6	+	100013-30830	1	PIN, PISTON	8*13*34.8	Sr/Nr 36001000 and before	
6	+	V611-000000	1	PIN,ENG 13	8*13*38.8	Sr/Nr 36001001 and after	
7	+	100015-30830	2	CIRCLIP, PISTON PIN			
8	+	100012-30830	1	BEARING, NEEDLE			
9		100100-30830	1	CRANKSHAFT ASSY			
10		100142-30830	1	KEY, WOODRUFF			
12		130516-30830	1	BAND			
13		130510-30830	1	ADAPTER, INTAKE			
14		433016-11031	1	SCREW, TENSIONER			

## 1. Cylinder, Crankcase, Piston



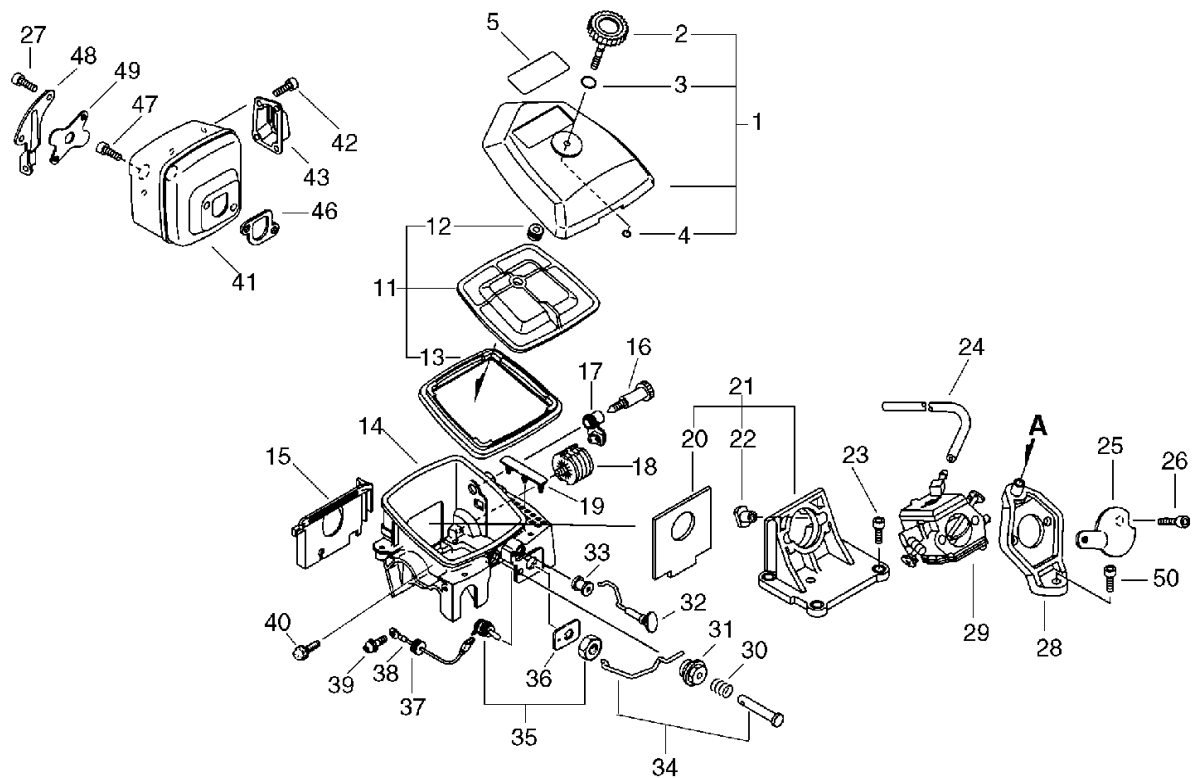
KEY	LV	PART NUMBER	Q'TY	DESCRIPTION	REMARKS	NOTE1	NOTE2
15		433028-11030	1	CLIP			
16		433014-02830	1	TENSIONER			
17		433000-19831	1	CATCHER KIT, CHAIN			
18	+	900162-05020	1	BOLT, H.S. 5*20	5*20 W,SW		
19		900600-00005	1	WASHER 5	5		
21		100204-30832	1	CRANKCASE KIT			
22	+	100213-30830	1	OILSEAL	25Z-16 39.9 7		
23	+	436114-13930	1	VALVE, CHECK			
24	+	900345-50010	1	PIN, SPRING 5*10SUS	5*10SUS		
25	+	100215-02830	2	PIN, DOWEL			
26	+	900810-36203	2	BEARING, BALL 6203	6203/C3		
27	+	433011-19830	2	STUD, GUIDE BAR			
28	+	100242-30830	1	GASKET, CRANKCASE			
30	+	100212-19830	1	OILSEAL	ISM 15*25*6		
29		900162-05035	4	BOLT, H.S. 5*35	5*35 W,SW		
31		100921-30830	1	CUSHION			
32		900162-05014	2	BOLT, H.S. 5*14	5*14 W,SW	Sr/Nr 36001185 and before	
32		900162-05014	1	BOLT, H.S. 5*14	5*14 W,SW	Sr/Nr 36001186 and after	
33		900162-05020	5	BOLT, H.S. 5*20	5*20 W,SW		
34		436001-31730	1	CAP ASSY, OIL TANK			
35	+	900721-00025	1	O-RING 25	G-25		
36	+	131050-19830	1	RETAINER, LINK			
37	+	900246-03008	1	SCREW 3*8	3*8		

## 1. Cylinder, Crankcase, Piston



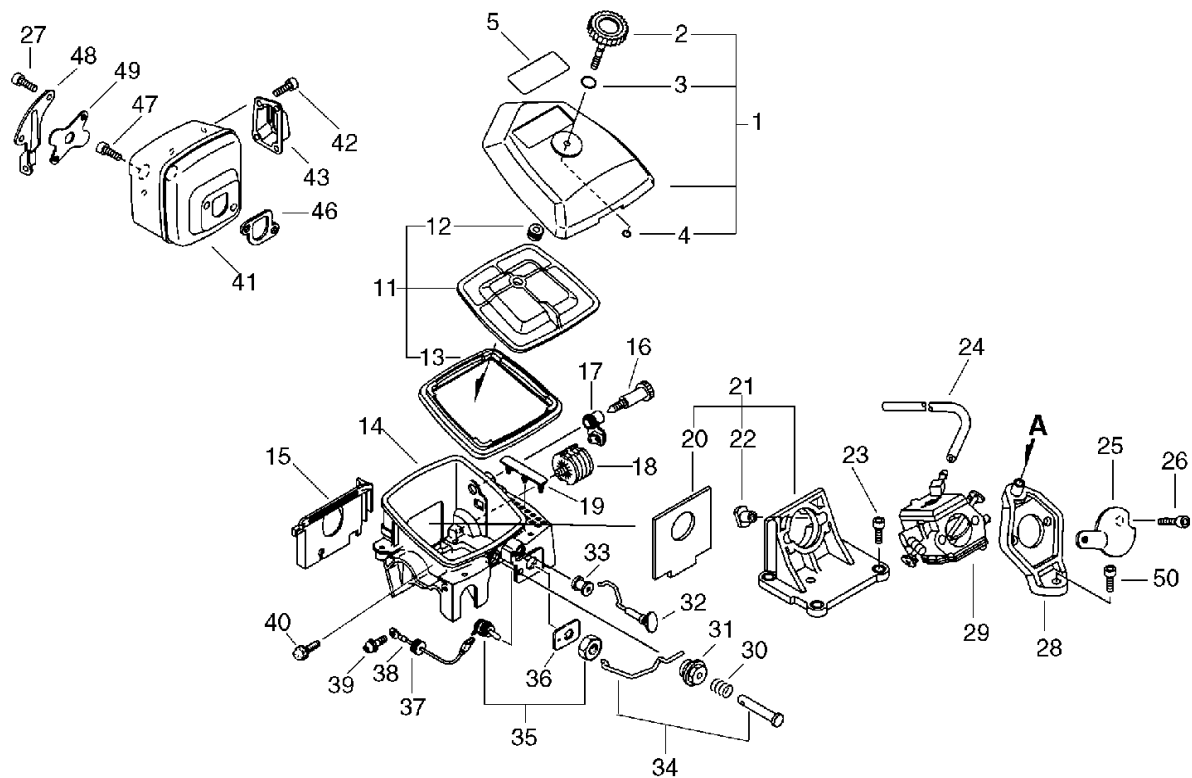
KEY	LV	PART NUMBER	Q'TY	DESCRIPTION	REMARKS	NOTE1	NOTE2
38	+	131051-19830	1	LINK	60L		
39		900238-05014	1	SCREW 5*14	5*14	Sr/Nr 36001186 and after	
40		880210-30830	1	BUMPER, SPIKED			
41		900105-06020	2	BOLT, H.S. 6*20	6*20		
42		900605-00006	2	WASHER, SPRING 6	6		
43		101501-31730	1	COVER, CYLINDER			
45	+	101578-30830	1	PLUG			
44		101520-33330	1	COVER			
46		101541-30831	1	PLATE, GUIDE			
47		890345-39230	1	LABEL, CAUTION			
48		890631-38130	1	LABEL, CAUTION			

## 2. Air Cleaner, Muffler



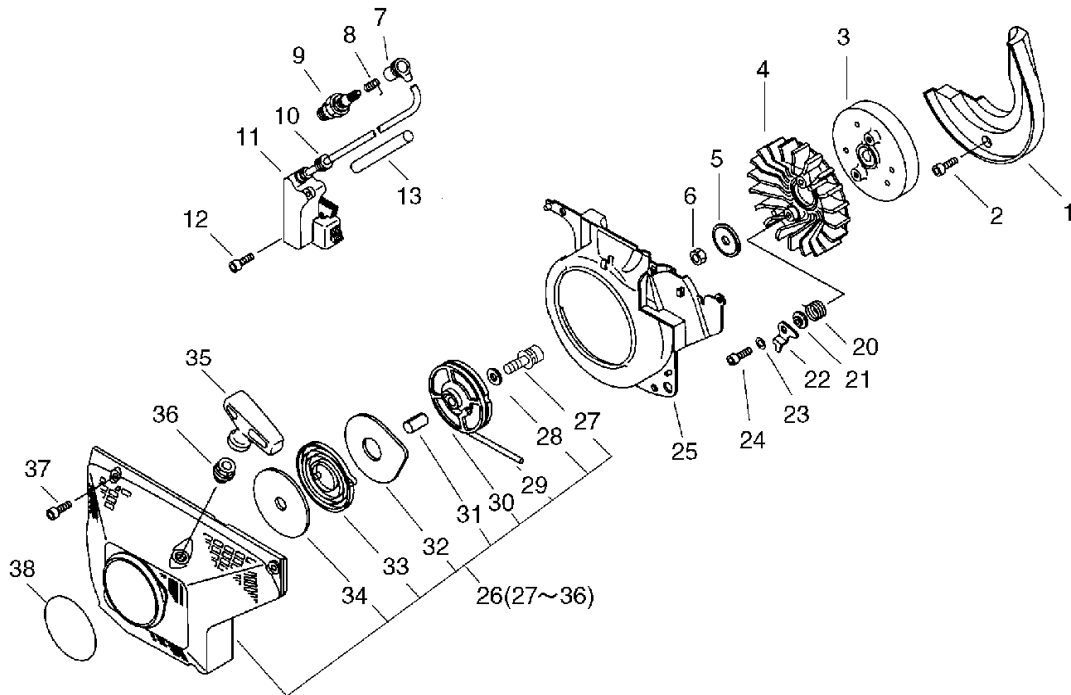
KEY	LV	PART NUMBER	Q'TY	DESCRIPTION	REMARKS	NOTE1	NOTE2
1		130302-30830	1	COVER SET, AIR CLN			
2	+	130406-30830	1	NUT, THUMB			
3	+	900720-00010	1	O-RING P-10	P-10		
4	+	900720-00003	1	O-RING P-3	P-3		
5		890112-60830	1	LABEL, MODEL		Sus. by 890112-60831	
5		890112-60831	1	LABEL, MODEL			
11		130303-30831	1	FILTER, AIR W/SEAL			
12	+	130356-19830	1	GROMMET			
13	+	130320-30831	1	SEAL, CLEANER			
14		130306-30830	1	CASE, CARBURETOR(BS)			
15		101529-30830	1	PLATE, GUIDE (A)			
16		129013-30831	1	SCREW, IDLE SPEED			
17		129010-19830	1	GROMMET		Sr/Nr 36001000 and before	
17		129010-38830	1	GROMMET, NEEDLE		Sr/Nr 36001001 and after	
18		100905-19830	1	CUSHION			
19		130339-30830	1	PLUG			
21		130007-30830	1	INSULATOR			
20	+	130012-30830	1	SEAL, DUST			
22	+	130020-19830	2	NUT			
23		900162-05025	4	BOLT, H.S. 5*25	5*25 W,SW		
24		130110-30830	1	PIPE, IMPULSE			
25		129011-19831	1	PLATE			
26		900162-05055	2	BOLT, H.S. 5*55	5*55 W,SW		

## 2. Air Cleaner, Muffler



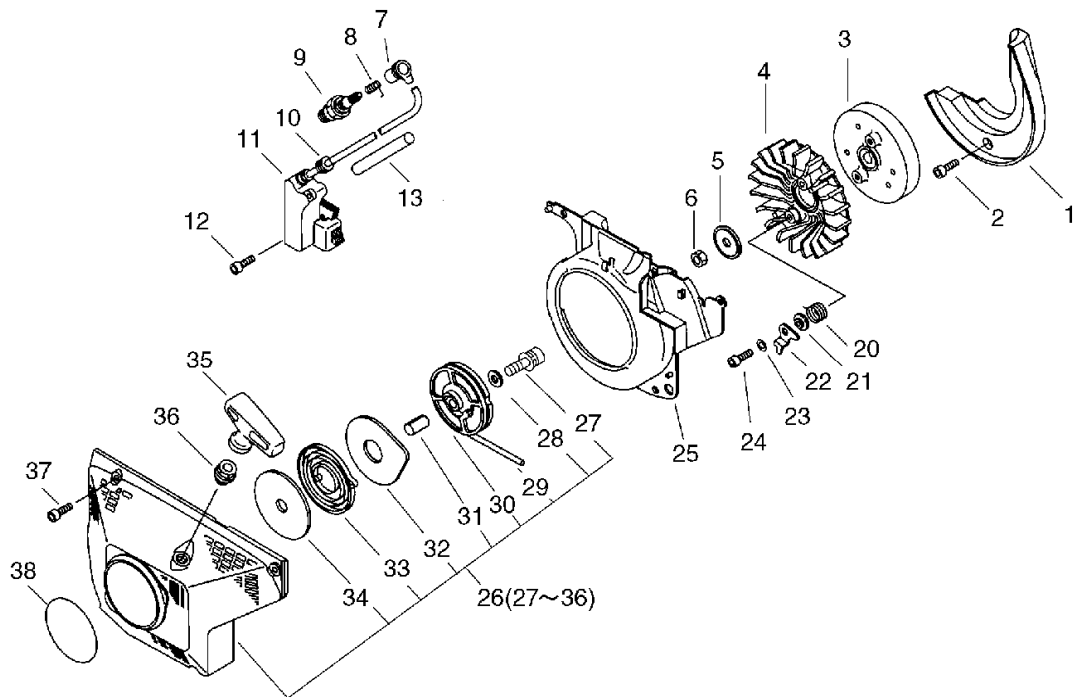
KEY	LV	PART NUMBER	Q'TY	DESCRIPTION	REMARKS	NOTE1	NOTE2
27		900162-05014	2	BOLT, H.S. 5*14	5*14 W,SW		
28		130405-30830	1	SUPPORTER, FILTER			
29		123000-30832	1	CARBURETOR ASSY	HDA-63		
30		178078-19830	1	SPRING			
31		178114-19830	1	HOLDER, THR. LEVER			
32		178510-30830	1	ROD, CHOKE			
33		178810-11231	1	GROMMET			
34		178307-30830	1	ROD, THROTTLE			
35		163400-30830	1	SWITCH, IGNITION			
36		890157-19830	1	LABEL, SWITCH			
37		156114-04920	2	GROMMET			
38		162021-30830	1	LEAD			
39		900242-04008	1	SCREW	4*8		
40		900220-04008	1	SCREW 4*8	4*8		
41		145610-30830	1	MUFFLER			
42		900162-04010	4	BOLT, H.S. 4*10	4*10 W,SW		
43		145861-30830	1	LID, MUFFLER			
46		145510-30830	1	GASKET, MUFFLER			
47		900162-06020	2	BOLT, H.S. 6*20	6*20 W.SW		
48		145711-30830	1	BRACKET, MUFFLER			
49		145813-31730	1	COVER, MUFFLER			
50		900162-05020	1	BOLT, H.S. 5*20	5*20 W,SW		

## 3. Starter, Magneto(Sr/Nr 36001915 and before)



KEY	LV	PART NUMBER	Q'TY	DESCRIPTION	REMARKS	NOTE1	NOTE2
1		101534-30830	1	PLATE, GUIDE			
2		900162-05020	2	BOLT, H.S. 5*20	5*20 W,SW		
3		156800-32631	1	ROTOR, MAGNETO			
4		101521-30831	1	FAN, COOLING		Sus. by 101521-30832	
4		101521-30832	1	FAN, COOLING			
5		100143-19830	1	WASHER	8.2*31*0.8		
6		433019-12330	1	NUT, FLANGE 8	M-8		
7		159012-03433	1	CAP, SPARK PLUG			
8		159011-03432	1	COIL, SPARK PLUG			
9		159017-31730	1	PLUG, SPARK RCJ-6Y	RCJ-6Y		
10		152112-05730	1	BUSHING			
11		156601-30831	1	COIL, IGNITION			
12		900162-04020	2	BOLT, H.S. 4*20	4*20 W,SW		
13		150611-30830	1	TUBE	7*8.6*45		
20		177234-30830	2	SPRING, RETURN			
21		177247-12331	2	SPACER, RATCHET			
22		177218-30830	2	PAWL, STARTER			
23		900603-00005	2	WASHER 5	5.5*12*0.8		
24		900162-05030	2	BOLT, H.S. 5*30	5*30 W,SW	Sus. by V203-000140	
24		V203-000140	2	BOLT,5	5*30		
25		101535-30830	1	COVER, FAN			
26		177200-30831	1	STARTER ASSY			
27	+	900238-05014	1	SCREW 5*14	5*14	Sus. by 900162-05014	

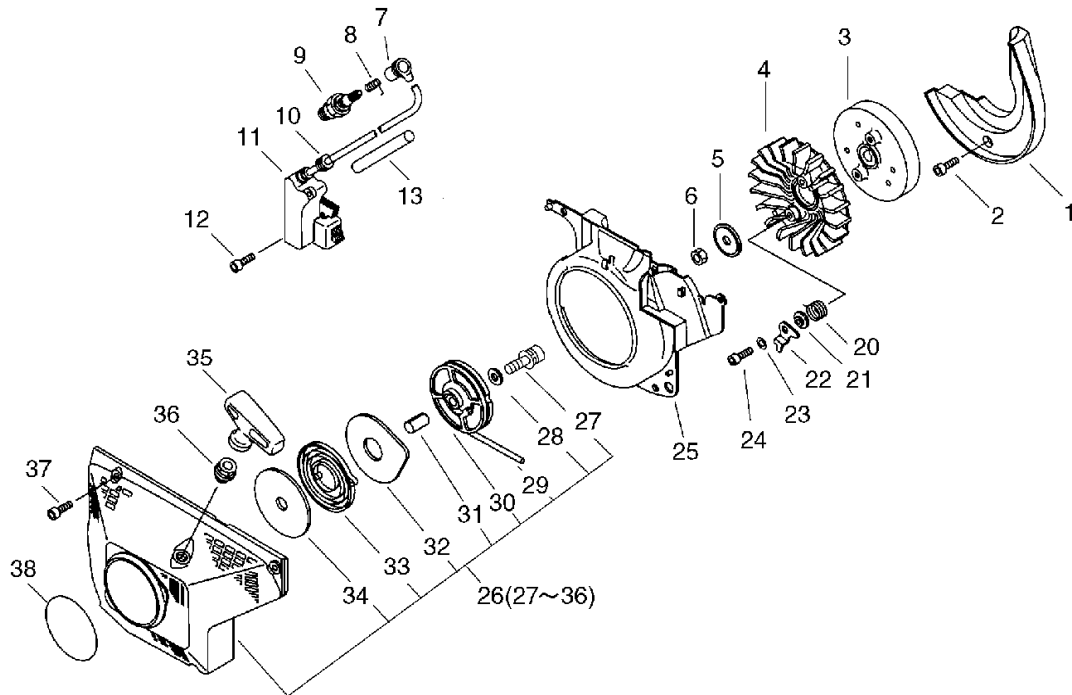
### 3. Starter, Magneto(Sr/Nr 36001915 and before)



KEY	LV	PART NUMBER	Q'TY	DESCRIPTION	REMARKS	NOTE1	NOTE2
27	+	900162-05014	1	BOLT, H.S. 5*14	5*14 W,SW		
28	+	177214-02830	1	WASHER	5.2*16*1.0T		
29	+	177226-07060	1	ROPE, STARTER	4.0*950		
30	+	177206-14330	1	DRUM, STARTER			
31	+	177216-12330	1	COLLAR			
32	+	177242-30830	1	PLATE, STARTER			
33	+	177220-02834	1	SPRING, REWIND			
34	+	177221-02830	1	PLATE, STARTER			
35	+	177228-30830	1	GRIP, STARTER			
36	+	177227-07060	1	GUIDE, ROPE			
37		900162-05020	4	BOLT, H.S. 5*20	5*20 W,SW		
38		890118-17930	1	LABEL, ECHO		Sus. by X502-000460	

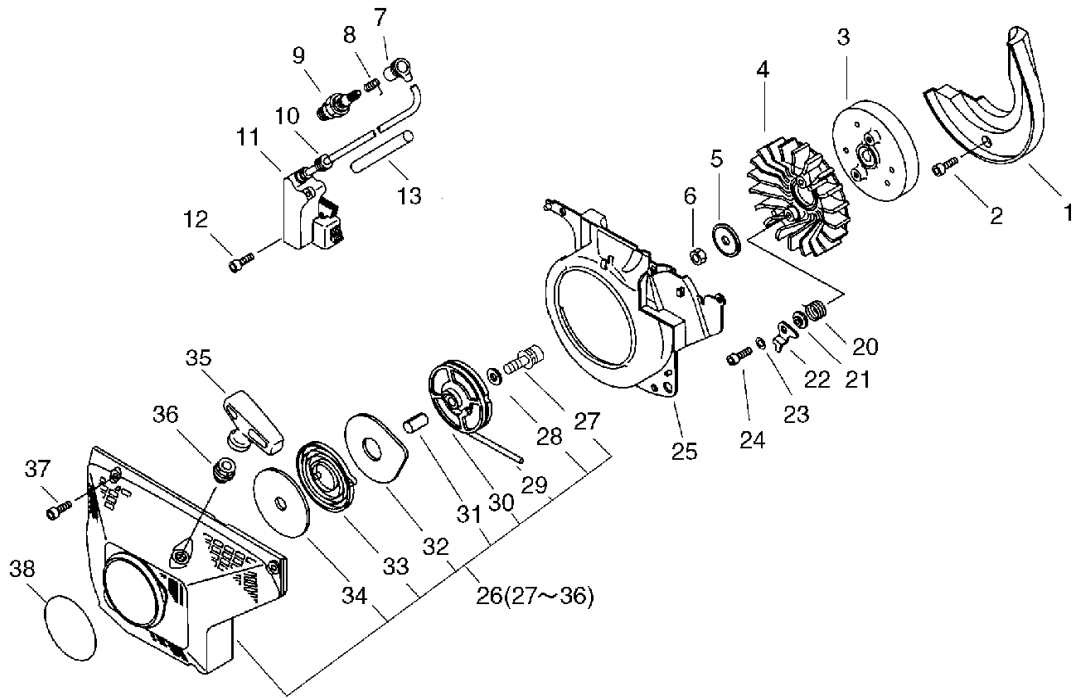


## 4. Starter, Magneto(Sr/Nr 36001916 and after)



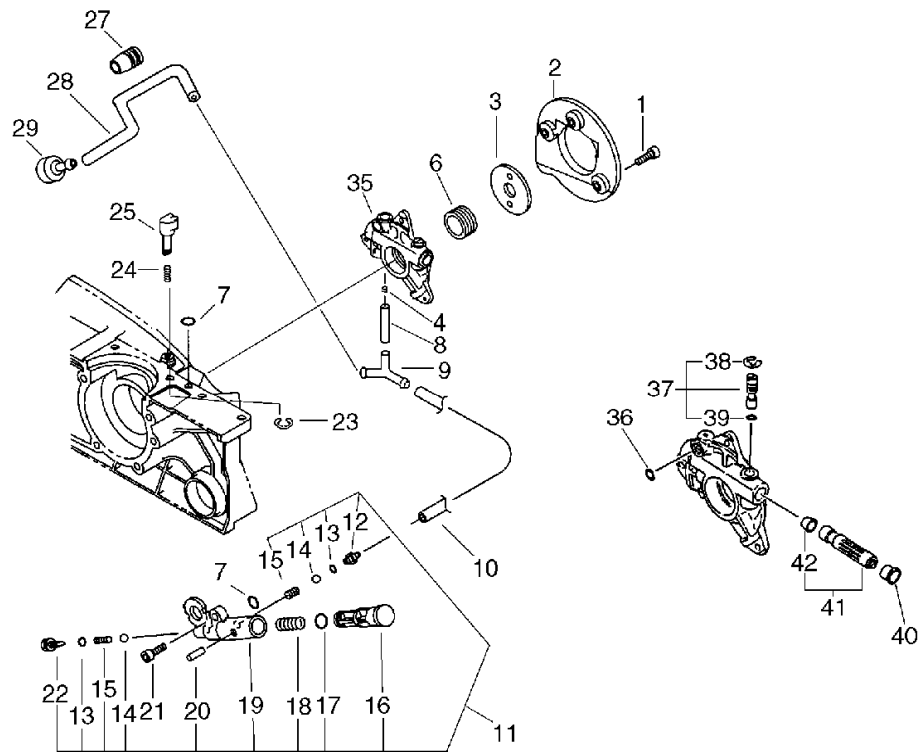
KEY	LV	PART NUMBER	Q'TY	DESCRIPTION	REMARKS	NOTE1	NOTE2
1		101534-30830	1	PLATE, GUIDE			
2		900162-05020	2	BOLT, H.S. 5*20	5*20 W,SW		
3		156800-32631	1	ROTOR, MAGNETO			
4		101521-30832	1	FAN, COOLING			
5		100143-19830	1	WASHER	8.2*31*0.8		
6		433019-12330	1	NUT, FLANGE 8	M-8		
7		159012-03433	1	CAP, SPARK PLUG			
8		159011-03432	1	COIL, SPARK PLUG			
9		159017-31730	1	PLUG, SPARK RCJ-6Y	RCJ-6Y		
10		152112-05730	1	BUSHING			
11		156601-30831	1	COIL, IGNITION		Sus. by 156601-30832	
12		900162-04020	2	BOLT, H.S. 4*20	4*20 W,SW		
13		150611-30830	1	TUBE	7*8.6*45		
20		177234-30830	2	SPRING, RETURN			
21		177247-12331	2	SPACER, RATCHET			
22		177218-30830	2	PAWL, STARTER			
23		900603-00005	2	WASHER 5	5.5*12*0.8		
24		V203-000140	2	BOLT,5	5*30		
25		101535-30830	1	COVER, FAN			
26		177200-30831	1	STARTER ASSY			
27	+	900162-05014	1	BOLT, H.S. 5*14	5*14 W,SW		
28	+	177214-02830	1	WASHER	5.2*16*1.0T		
29	+	177226-07060	1	ROPE, STARTER	4.0*950		
30	+	177206-14330	1	DRUM, STARTER			
31	+	177216-12330	1	COLLAR			

4. Starter, Magneto(Sr/Nr 36001916 and after)



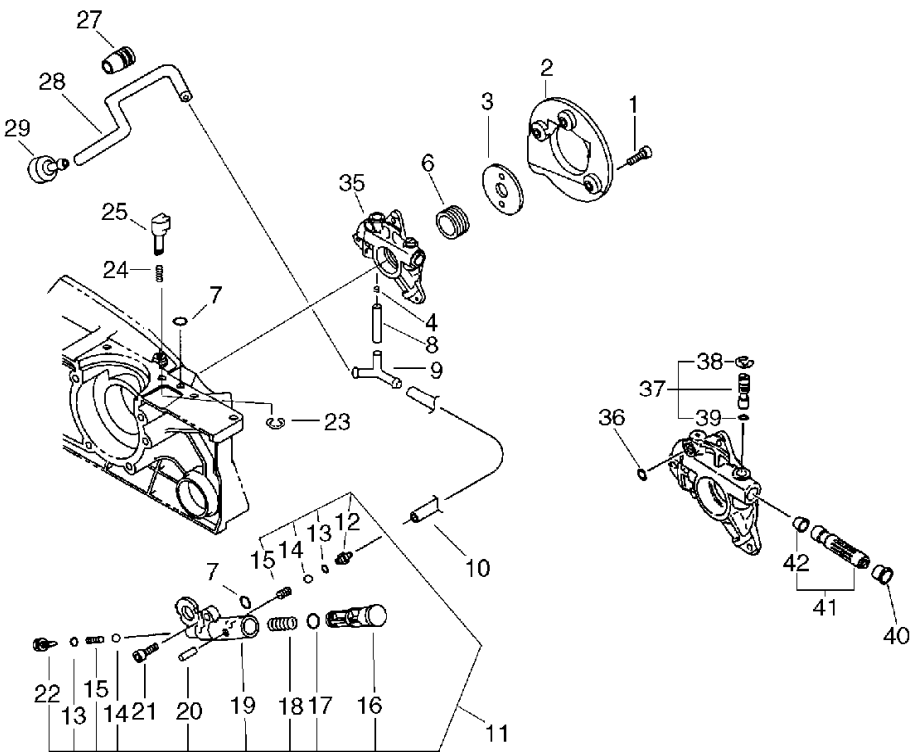
KEY	LV	PART NUMBER	Q'TY	DESCRIPTION	REMARKS	NOTE1	NOTE2
32	+	177242-30830	1	PLATE, STARTER			
33	+	177220-02834	1	SPRING, REWIND			
34	+	177221-02830	1	PLATE, STARTER			
35	+	177228-30830	1	GRIP, STARTER			
36	+	177227-07060	1	GUIDE, ROPE			
37		900162-05020	4	BOLT, H.S. 5*20	5*20 W,SW		
38		890118-17930	1	LABEL, ECHO		Sus. by X502-000460	
38		X502-000460	1	LABEL,ECHO			

## 5. Auto-Oiler



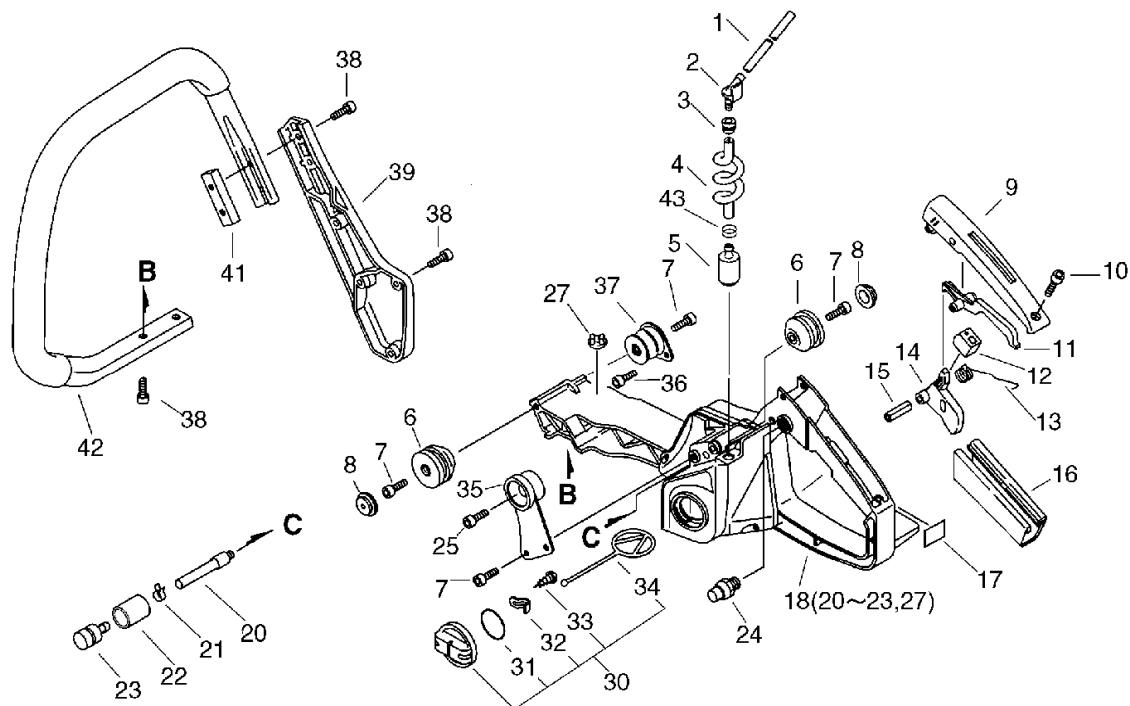
KEY	LV	PART NUMBER	Q'TY	DESCRIPTION	REMARKS	NOTE1	NOTE2
1		900162-04014	3	BOLT, H.S. 4*14	4*14 W,SW		
2		437605-32430	1	COVER, OIL PUMP			
3		437066-30831	1	WASHER, CIRCULAR			
4		132013-26630	1	CLIP	6.5MM		
6		437063-33231	1	GEAR, WORM			
7		900720-00003	2	O-RING P-3	P-3		
8		437211-32430	1	PIPE			
9		437212-32430	1	CONNECTOR, OIL PIPE			
10		437210-30830	1	PIPE, OIL	NBR 3*6*210L		
11		437100-19831	1	OIL PUMP ASSY		Sus. by 437100-19832	
11		437100-19832	1	OILER ASY, MANUAL			
12	+	437118-19830	1	NIPPLE			
13	+	437122-03430	2	O-RING			
14	+	437012-00330	2	VALVE, BALL			
15	+	437013-00330	2	SPRING, VALVE		Sus. by V450-000290	
15	+	V450-000290	2	SPRING, COMPRESSION			
16	+	437112-19831	1	PISTON, MANUAL			
17	+	900720-00007	1	O-RING 7	P-7		
18	+	437111-19830	1	SPRING			
19	+	437110-19831	1	BODY, OIL PUMP			
20	+	900345-20016	1	PIN, SPRING 2*16SUS	2*16SUS		
22	+	437121-10130	1	ADAPTER, OIL PUMP			
21		900162-05020	1	BOLT, H.S. 5*20	5*20 W,SW		
23		900700-00003	1	E-RING 3	CE-3		

5. Auto-Oiler



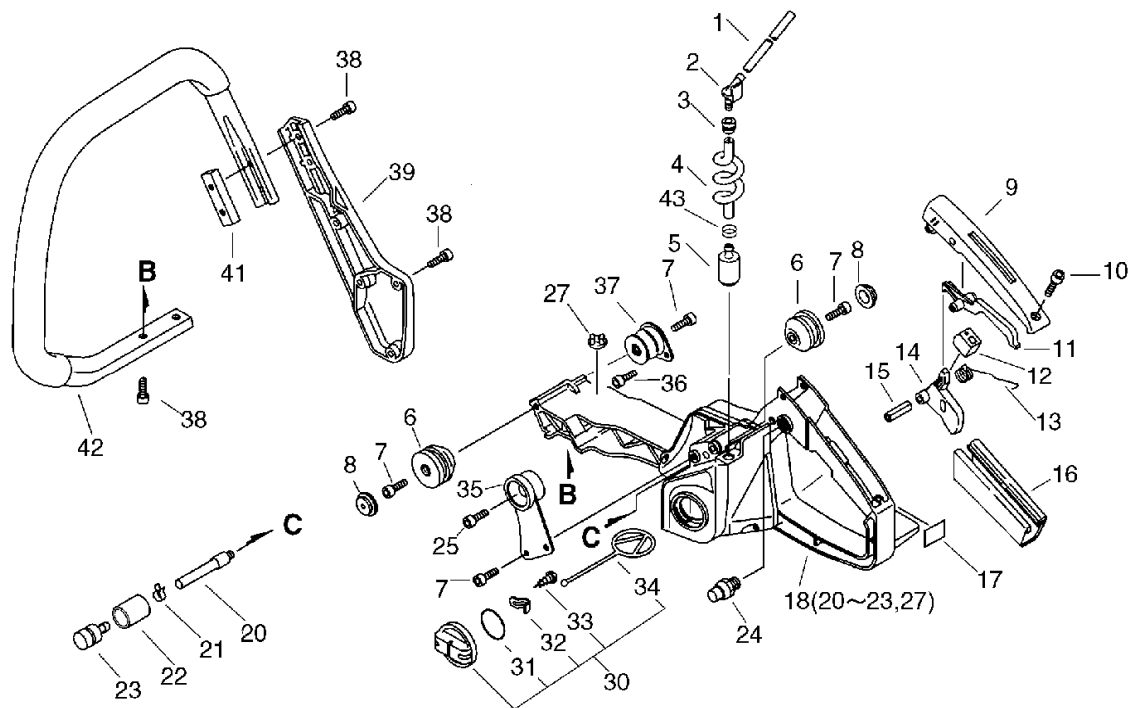
KEY	LV	PART NUMBER	Q'TY	DESCRIPTION	REMARKS	NOTE1	NOTE2
24		437015-19830	1	SPRING			
25		437039-30830	1	KNOB			
27		132115-12330	1	GROMMET			
28		437210-32430	1	PIPE, OIL (INNER)		Sus. by 437210-38330	
28		437210-38330	1	PIPE, OIL			
29		436205-14730	1	STRAINER, OIL			
35		437002-37530	1	AUTO-OILER ASSY			
36	+	900720-00003	1	O-RING P-3	P-3		
37	+	437009-35430	1	PIN, CONTROL			
38	++	437065-19830	1	CLIP			
39	++	437030-19830	1	O-RING			
40	+	437062-19830	1	CAP, PLUNGER			
41	+	437006-32330	1	PLUNGER KIT			
42	++	437020-32430	1	V-RING			

## 6. Handle(Sr/Nr 36001915 and before)



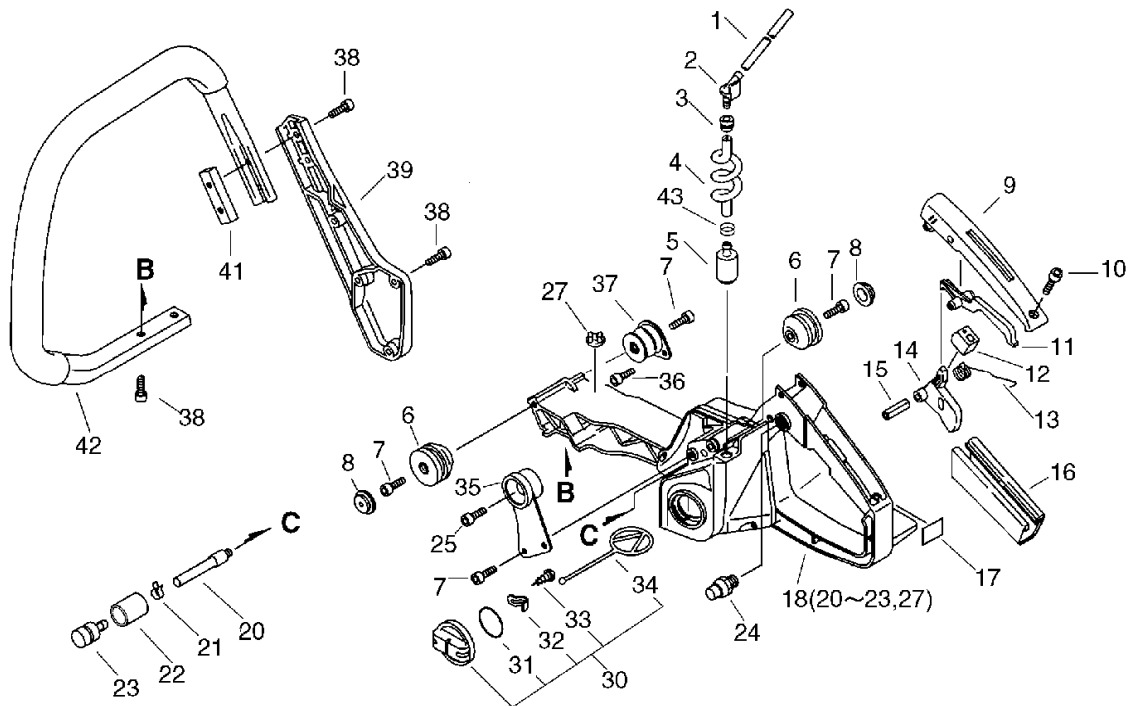
KEY	LV	PART NUMBER	Q'TY	DESCRIPTION	REMARKS	NOTE1	NOTE2
1		132012-02960	1	PIPE, FUEL	3*6*120L		
2		132011-19830	1	CONNECTOR, FUEL PIPE		Sus. by 132011-19831	
3		132115-01461	1	GROMMET			
4		132010-30830	1	PIPE			
5		131205-19830	1	STRAINER, FUEL			
6		100910-30830	2	CUSHION			
7		900162-05014	5	BOLT, H.S. 5*14	5*14 W,SW		
8		100918-19830	2	CAP, CUSHION			
9		351155-30131	1	COVER, HANDLE			
10		900162-04014	1	BOLT, H.S. 4*14	4*14 W,SW		
11		178090-30130	1	LOCKOUT, T. CONTROL			
12		178073-32430	1	CUSHION, THROTTLE			
13		178043-19830	1	SPRING, THR. RETURN			
14		178010-19830	1	CONTROL, THROTTLE			
15		900342-50025	1	PIN, SPRING 5*25	5*25		
16		351111-19830	1	GRIP, HANDLE			
17		890157-39130	1	LABEL, SWITCH			
18		351103-30832	1	HANDLE, W/FUEL TANK			
20	+	437210-31730	1	PIPE 3*5*55			
21	+	130111-00530	1	CLIP	5.5		
22	+	131328-40630	1	COVER, VENT			
23	+	131300-56430	1	VALVE, CHECK			
27	+	100252-30830	1	CUSHION			
19		131329-32330	1	PLUG, FUEL TANK		Sr/Nr 001400 and before	

## 6. Handle(Sr/Nr 36001915 and before)



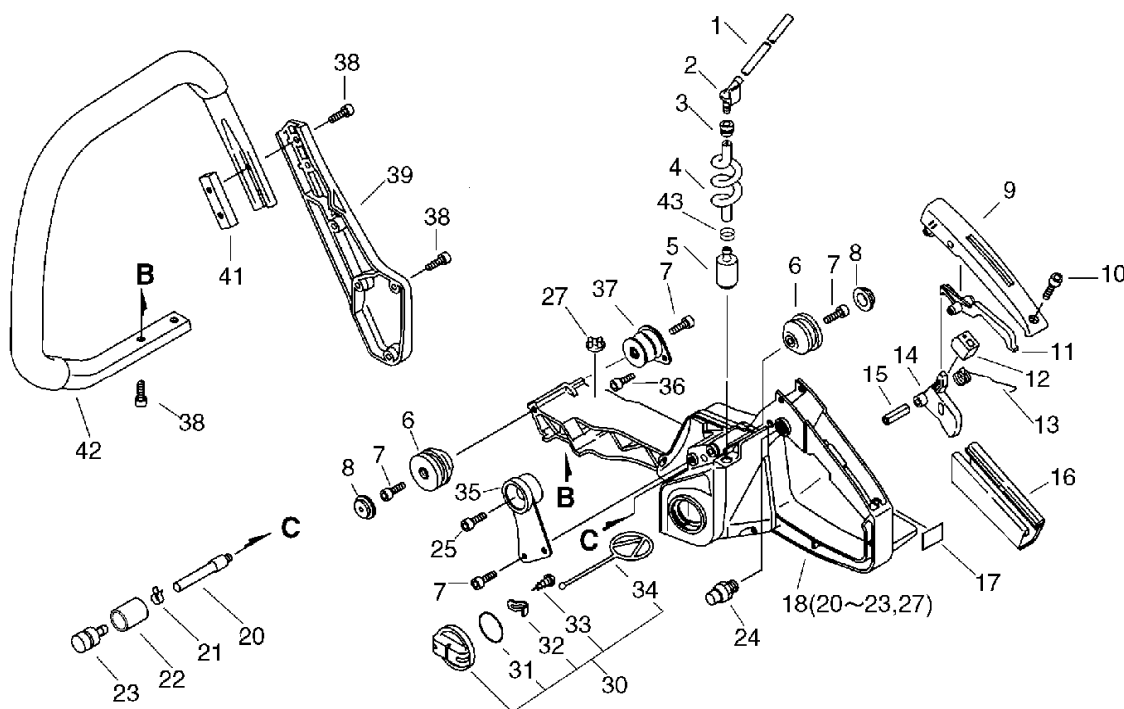
KEY	LV	PART NUMBER	Q'TY	DESCRIPTION	REMARKS	NOTE1	NOTE2
24		178302-12330	1	LATCH, THROTTLE			
25		900162-05020	1	BOLT, H.S. 5*20	5*20 W,SW		
30		131004-19831	1	CAP ASSY, FUEL TANK			
31	+	900720-20029	1	O-RING 29	P-29		
32	+	131050-19830	1	RETAINER, LINK			
33	+	900246-03008	1	SCREW 3*8	3*8		
34	+	131051-19830	1	LINK	60L		
35		100917-30830	1	CUSHION			
36		900162-04010	2	BOLT, H.S. 4*10	4*10 W,SW		
37		100922-30830	1	CUSHION			
38		900162-05020	8	BOLT, H.S. 5*20	5*20 W,SW		
39		351614-60830	1	BRACKET, F. HNDL. BS			
41		305114-06060	1	BRACKET			
42		351606-60830	1	HANDLE, FRONT			
43		132013-26630	1	CLIP	6.5MM	Sr/Nr 36001481 andafter	

## 7. Handle(Sr/Nr 36001916 and after)



KEY	LV	PART NUMBER	Q'TY	DESCRIPTION	REMARKS	NOTE1	NOTE2
1		132012-02960	1	PIPE, FUEL	3*6*120L		
2		132011-19830	1	CONNECTOR, FUEL PIPE		Sus. by 132011-19831	
2		132011-19831	1	CONNECTOR, FUEL PIPE			
3		132115-01461	1	GROMMET			
4		132010-30830	1	PIPE			
5		131205-19830	1	STRAINER, FUEL			
6		100910-30830	2	CUSHION			
7		900162-05014	5	BOLT, H.S. 5*14	5*14 W,SW		
8		100918-19830	2	CAP, CUSHION			
9		351155-30131	1	COVER, HANDLE			
10		900162-04014	1	BOLT, H.S. 4*14	4*14 W,SW		
11		178090-30130	1	LOCKOUT, T. CONTROL			
12		178073-32430	1	CUSHION, THROTTLE			
13		178043-19830	1	SPRING, THR. RETURN			
14		178010-19830	1	CONTROL, THROTTLE			
15		900342-50025	1	PIN, SPRING 5*25	5*25		
16		351111-19830	1	GRIP, HANDLE			
17		890157-39130	1	LABEL, SWITCH			
18		351103-30832	1	HANDLE, W/FUEL TANK			
20	+	437210-31730	1	PIPE 3* 5* 55			
21	+	130111-00530	1	CLIP	5.5		
22	+	131328-40630	1	COVER, VENT			
23	+	131300-56430	1	VALVE, CHECK			
27	+	100252-30830	1	CUSHION			
24		178302-12330	1	LATCH, THROTTLE			

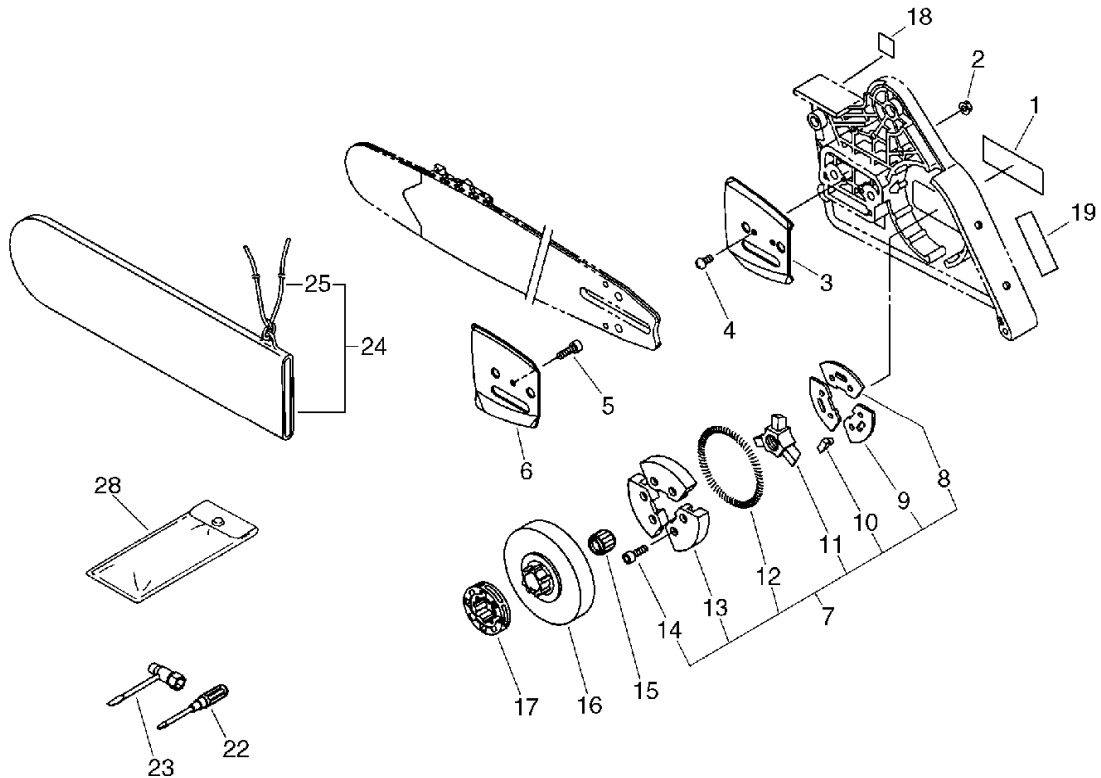
7. Handle(Sr/Nr 36001916 and after)



KEY	LV	PART NUMBER	Q'TY	DESCRIPTION	REMARKS	NOTE1	NOTE2
25		900162-05020	1	BOLT, H.S. 5*20	5*20 W,SW		
30		131004-19831	1	CAP ASSY, FUEL TANK			
31	+	900720-20029	1	O-RING 29	P-29		
32	+	131050-19830	1	RETAINER, LINK			
33	+	900246-03008	1	SCREW 3*8	3*8		
34	+	131051-19830	1	LINK	60L		
35		100917-30830	1	CUSHION			
36		900162-04010	2	BOLT, H.S. 4*10	4*10 W,SW		
37		100922-30830	1	CUSHION			
38		900162-05020	8	BOLT, H.S. 5*20	5*20 W,SW		
39		351614-60830	1	BRACKET, F. HNDL. BS			
41		305114-06060	1	BRACKET			
42		351606-60830	1	HANDLE, FRONT			
43		132013-26630	1	CLIP	6.5MM		

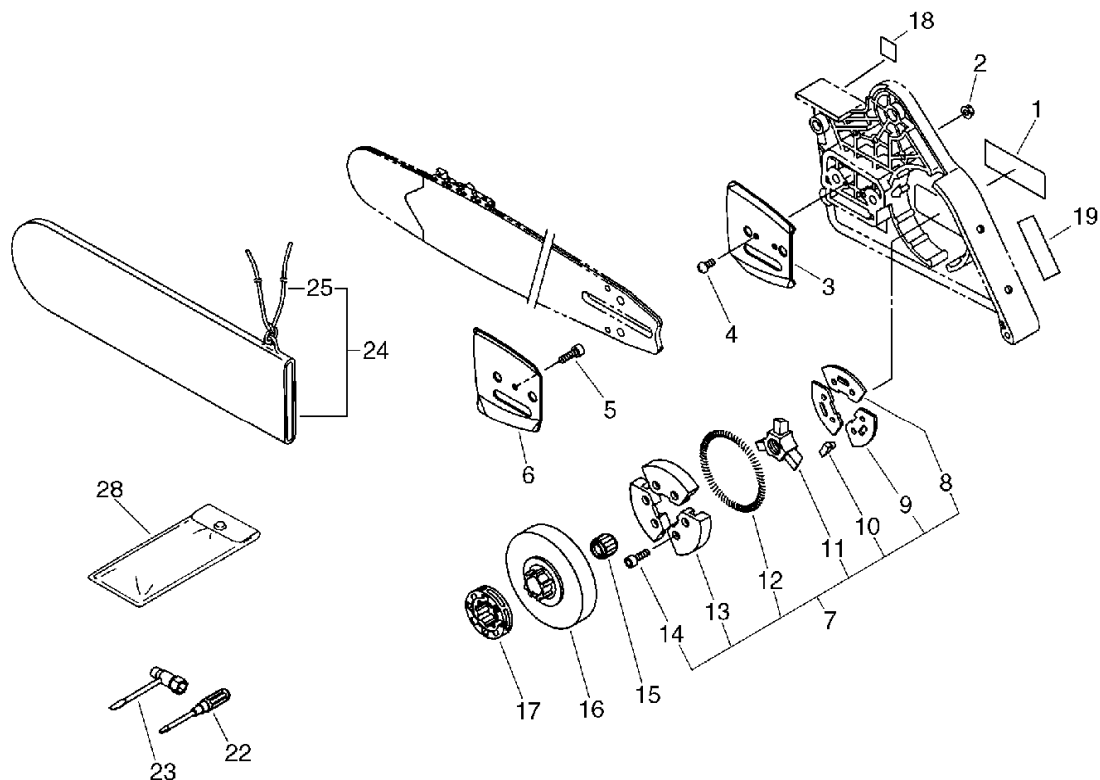


8. Clutch, Sprocket, Tools(Sr/Nr 36001915 and before)



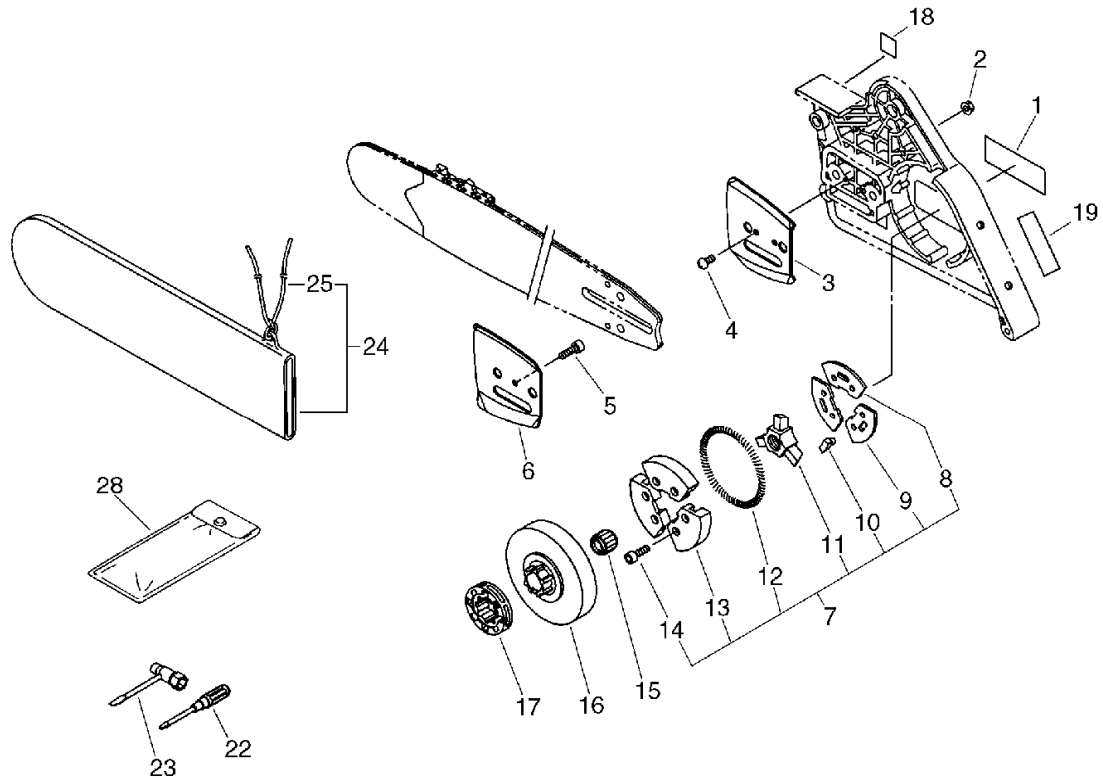
KEY	LV	PART NUMBER	Q'TY	DESCRIPTION	REMARKS	NOTE1	NOTE2
1		890118-15130	1	LABEL, ECHO		Sus. by X502-000560	
2		433019-12330	2	NUT, FLANGE 8	M-8		
3		433012-30830	1	PLATE, GUIDE (OUTER)			
4		900241-03006	2	SCREW 3*6	3*6		
5		900241-04008	1	SCREW 4*8	4*8		
6		433013-30830	1	PLATE, GUIDE (INNER)			
7		175000-30831	1	CLUTCH ASSY		Sus. by 175000-30832	
7		175000-30832	1	CLUTCH ASSEMBLY			
8	+	175019-30830	2	PLATE, CLUTCH			
9	+	175029-30830	1	PLATE, CLUTCH			
10	+	175059-30830	1	PLATE, SPRING			
11	+	175016-30830	1	HUB, CLUTCH			
12	+	175018-30830	1	SPRING, CLUTCH			
13	+	175002-30830	1	SHOE, CLUTCH		Sus. by 175002-30831	
13	+	175002-30831	1	SHOE, CLUTCH			
14	+	900105-04008	6	BOLT, H.S. 4*8	4*8		
15		175012-30830	1	BEARING, NEEDLE			
16		175105-30830	1	DRUM, CLUTCH		Sus. by 175105-30831	
17		175033-14731	1	SPROCKET, RIM 68210S			
18		890316-39130	1	LABEL, CAUTION			
19		890155-30130	1	LABEL, CAUTION			
22		895812-03930	1	DRIVER, SCREW 50			

8. Clutch, Sprocket, Tools(Sr/Nr 36001915 and before)



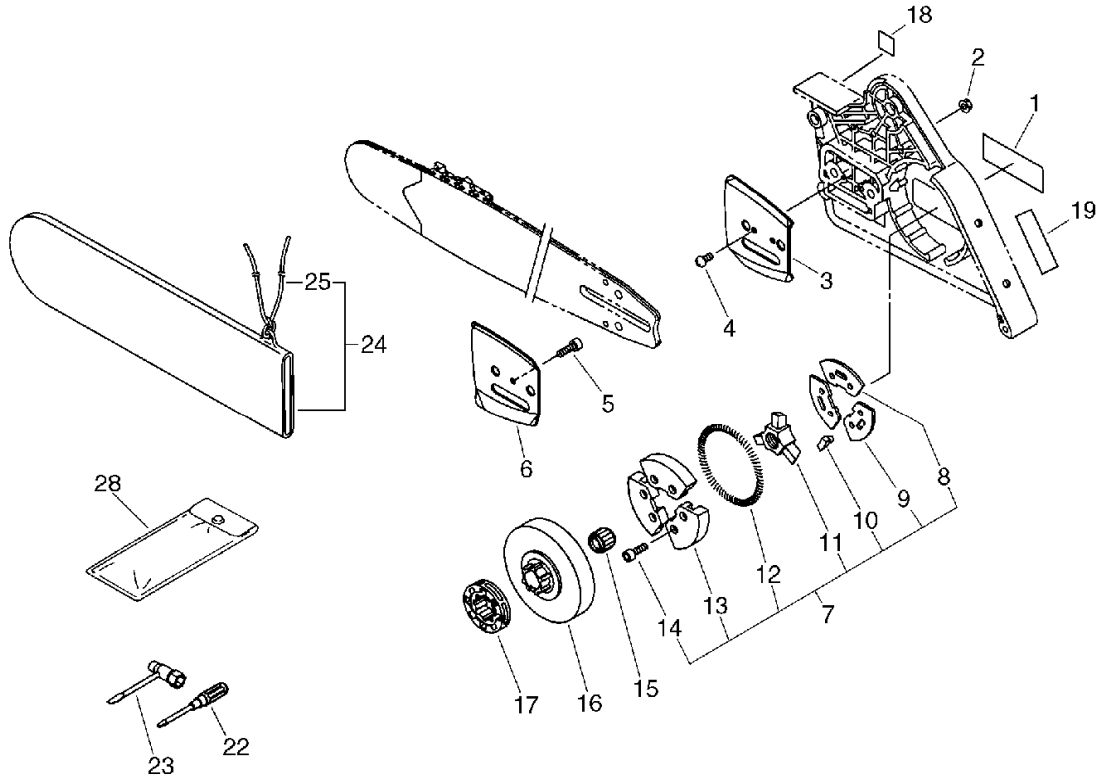
KEY	LV	PART NUMBER	Q'TY	DESCRIPTION	REMARKS	NOTE1	NOTE2
23		895410-02830	1	WRENCH, W/S. DRIVER			
24		898513-31731	1	SCABBARD, GUIDE BAR			
25	+	898568-14530	1	ROPE	5*900		

9. Clutch, Sprocket, Tools(Sr/Nr 36001916 and after)



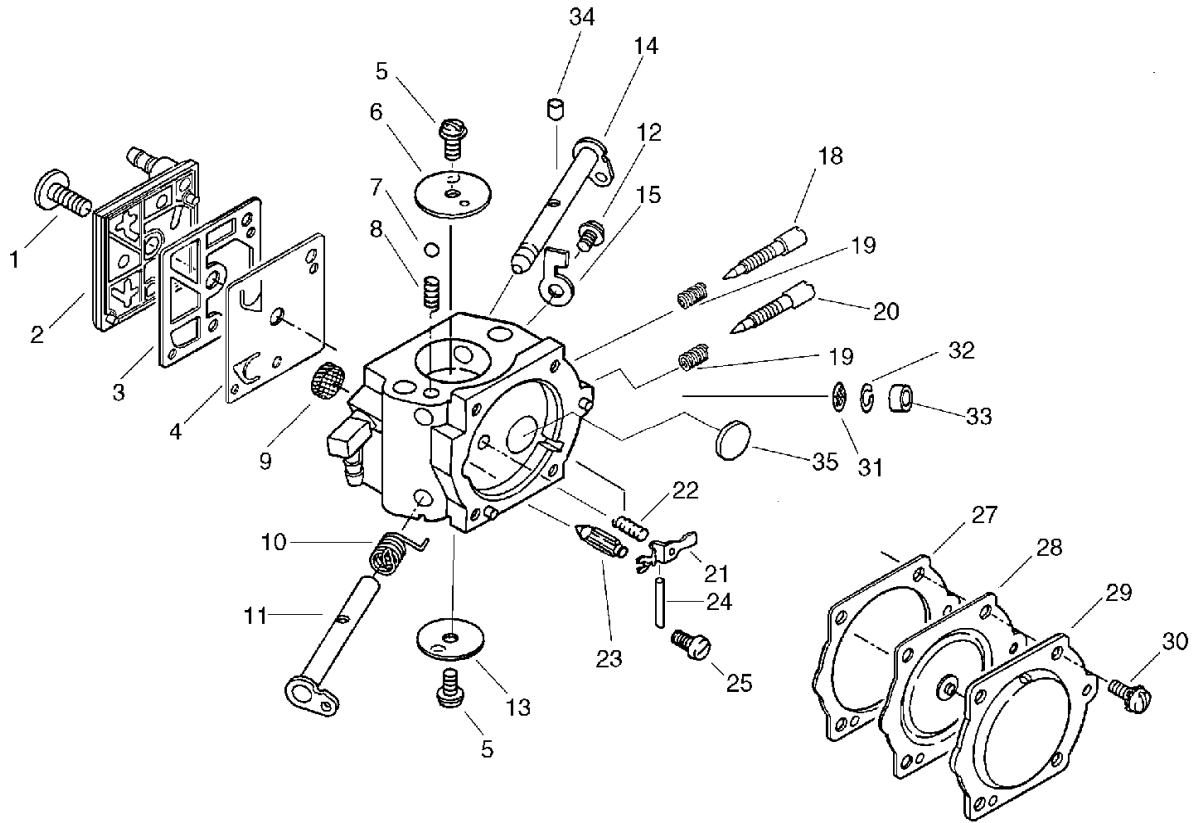
KEY	LV	PART NUMBER	Q'TY	DESCRIPTION	REMARKS	NOTE1	NOTE2
1		890118-15130	1	LABEL, ECHO		Sus. by X502-000560	
1		X502-000560	1	LABEL, ECHO			
2		433019-12330	2	NUT, FLANGE 8	M-8		
3		433012-30830	1	PLATE, GUIDE (OUTER)			
4		900241-03006	2	SCREW 3*6	3*6		
5		900241-04008	1	SCREW 4*8	4*8		
6		433013-30830	1	PLATE, GUIDE (INNER)			
7		175000-30832	1	CLUTCH ASSEMBLY			
8	+	175019-30830	2	PLATE, CLUTCH			
9	+	175029-30830	1	PLATE, CLUTCH			
10	+	175059-30830	1	PLATE, SPRING			
11	+	175016-30830	1	HUB, CLUTCH			
12	+	175018-30830	1	SPRING, CLUTCH			
13	+	175002-30831	1	SHOE, CLUTCH			
14	+	900105-04008	6	BOLT, H.S. 4*8	4*8		
15		175012-30831	1	BEARING, NEEDLE			
16		175105-30830	1	DRUM, CLUTCH		Sus. by 175105-30831	
16		175105-30831	1	DRUM, CLUTCH			
17		175033-14731	1	SPROCKET, RIM 68210S			
18		890316-39130	1	LABEL, CAUTION			
19		890155-30130	1	LABEL, CAUTION			
22		895812-03930	1	DRIVER, SCREW 50			
23		895410-02830	1	WRENCH, W/S. DRIVER			

9. Clutch, Sprocket, Tools(Sr/Nr 36001916 and after)



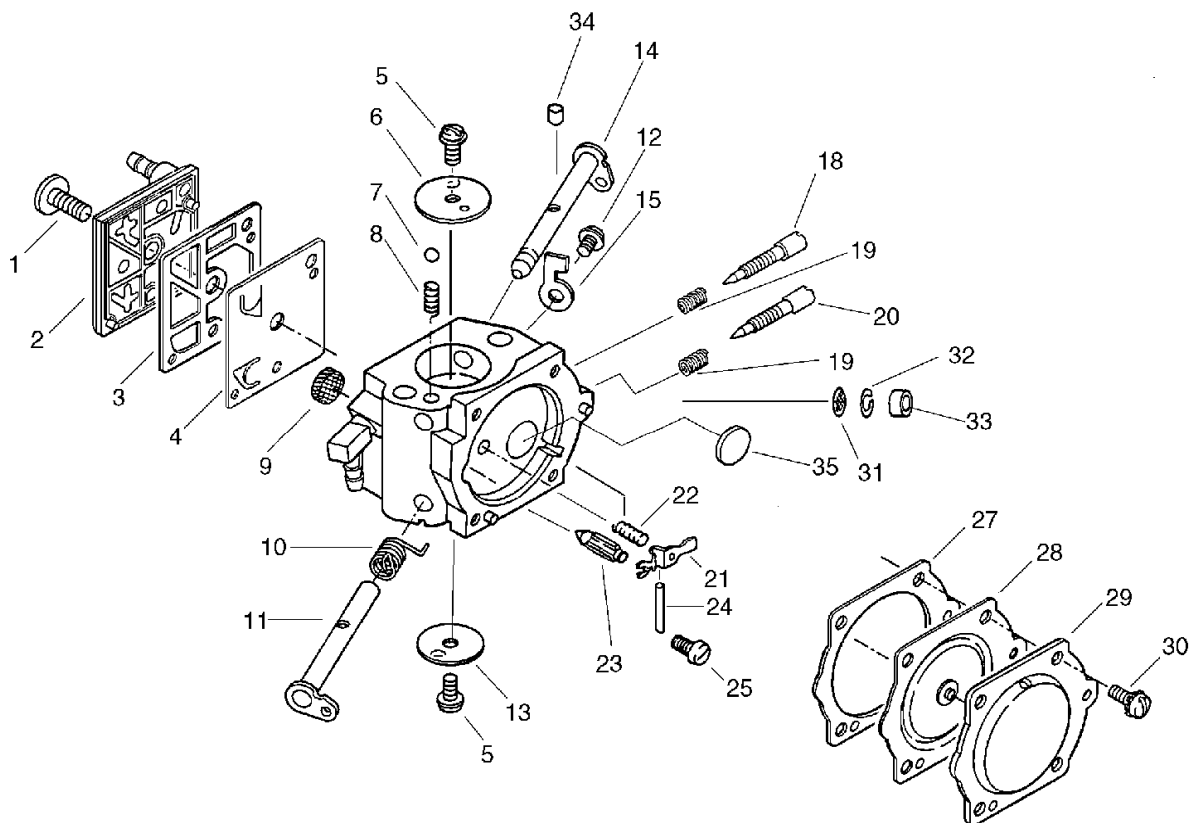
KEY	LV	PART NUMBER	Q'TY	DESCRIPTION	REMARKS	NOTE1	NOTE2
24		898513-31731	1	SCABBARD, GUIDE BAR		Sus. by 898513-16431	
25	+	898568-14530	1	ROPE	5*900		
28		898510-39130	1	BAG, TOOL			

## 10. Carburetor(Sr/Nr 36001000 and before)



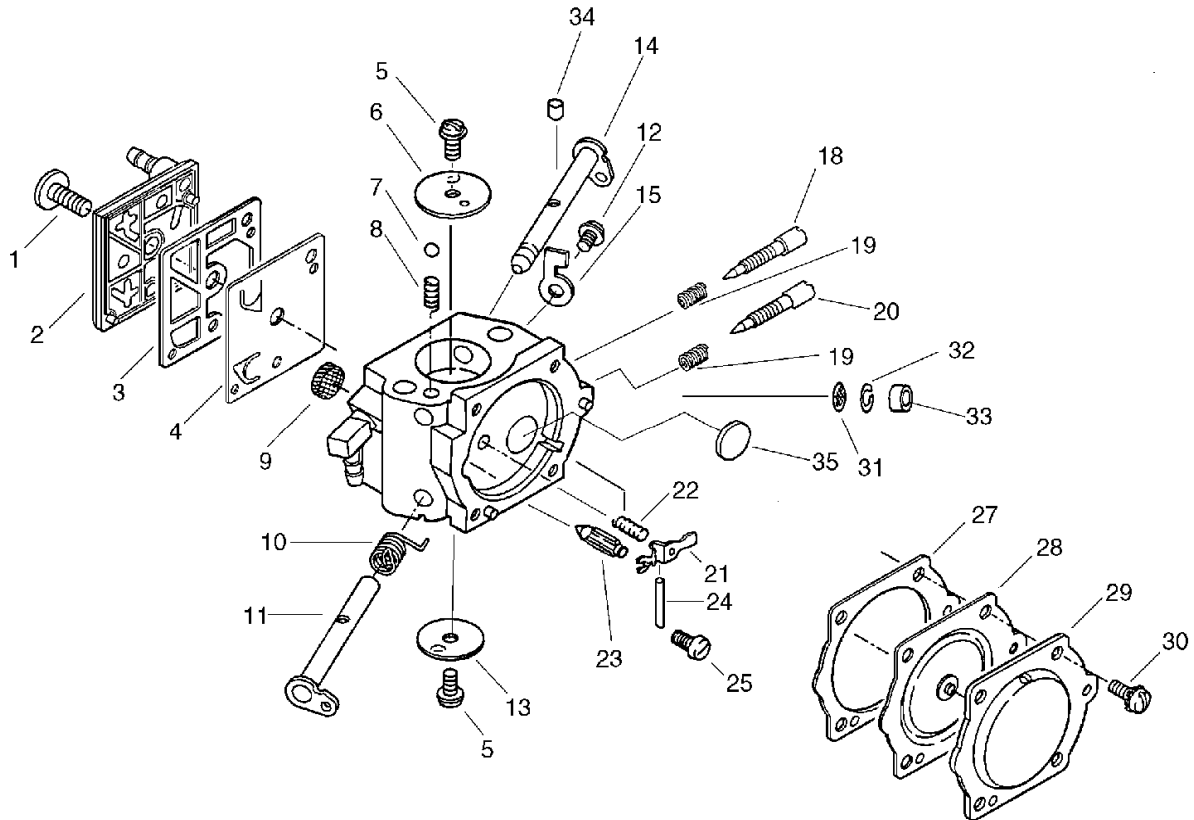
KEY	LV	PART NUMBER	Q'TY	DESCRIPTION	REMARKS	NOTE1	NOTE2
		123000-30832	1	CARBURETOR ASSY	HDA-63		
1	+	123110-16130	1	SCREW, PUMP COVER			
2	+	123124-19830	1	COVER, FUEL PUMP			
3	+	123125-12330	1	GASKET, FUEL PUMP			
4	+	123112-12330	1	DIAPHRAGM, FUEL PUMP			
5	+	123114-38830	2	SCREW			
6	+	123132-17330	1	VALVE, CHOKE			
7	+	123136-10630	1	BALL, CHOKE FRICTION			
8	+	123135-10630	1	SPRING, CHOKE FRICT.			
9	+	123126-10631	1	SCREEN, INLET			
10	+	123113-16130	1	SPRING, THRT. RETURN			
11	+	123117-32430	1	SHAFT, THROTTLE			
12	+	123114-03930	1	SCREW		Sus. by 123114-38830	
12	+	123114-38830	1	SCREW			
13	+	123116-16130	1	VALVE, THROTTLE			
14	+	123131-19830	1	SHAFT, CHOKE			
15	+	123156-12330	1	STOP, THROTTLE			
18	+	123120-30830	1	NEEDLE, HIGH SPEED			
19	+	123121-16130	2	SPRING, NEEDLE			
20	+	123118-30830	1	NEEDLE, IDLE			
21	+	123123-18330	1	LEVER, METERING			
22	+	123122-16130	1	SPRING, METER. LEVER			
23	+	123137-19830	1	VALVE, INLET NEEDLE			
24	+	123138-03930	1	PIN, METERING LEVER			
25	+	123139-03930	1	SCREW, M. LEVER PIN			

10. Carburetor(Sr/Nr 36001000 and before)



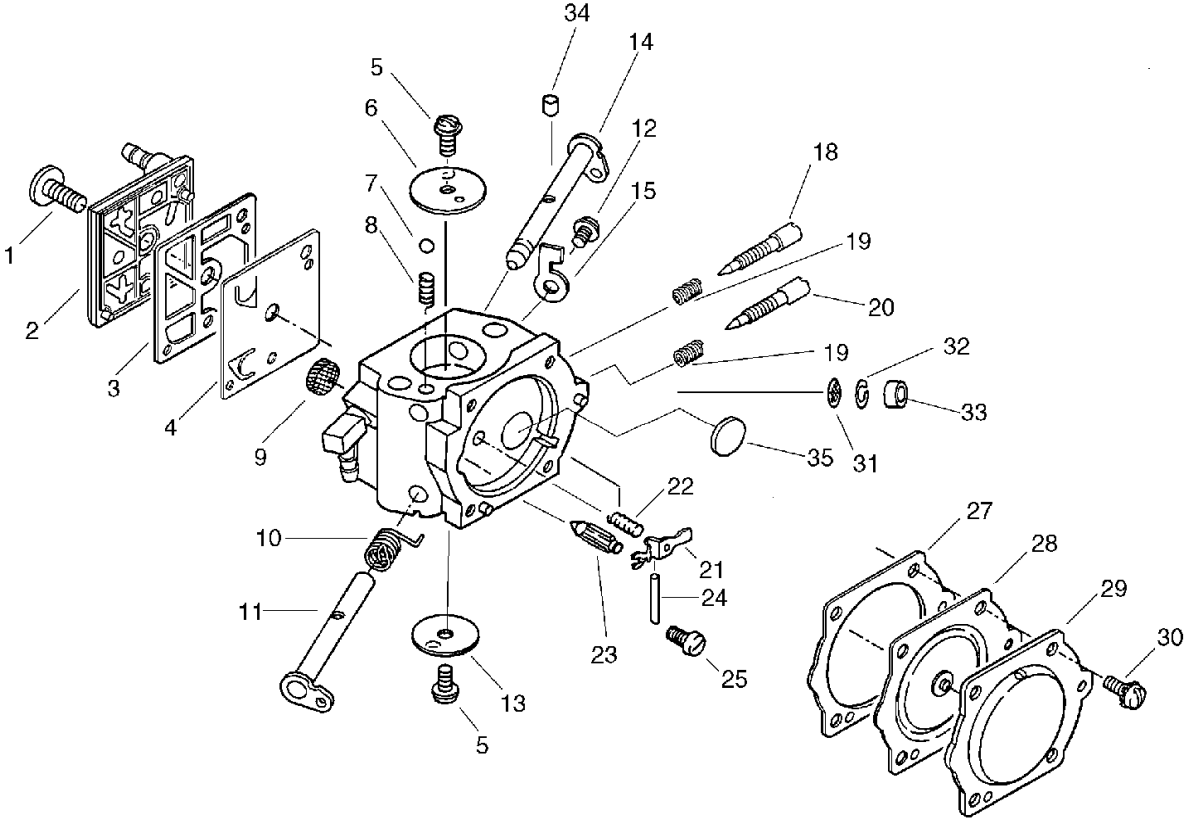
KEY	LV	PART NUMBER	Q'TY	DESCRIPTION	REMARKS	NOTE1	NOTE2
27	+	123140-16131	1	GASKET, M. DIAPHRAGM			
28	+	123141-16131	1	DIAPHRAGM, METERING			
29	+	123142-17330	1	COVER, M. DIAPHRAGM			
30	+	123130-02960	4	SCREW			
31	+	123168-10631	1	SCREEN			
32	+	123169-10630	1	RING, RETAINING			
33	+	123146-17330	1	PLUG, CUP			
34	+	123178-15030	1	PLUG, FRICTION			
35	+	123146-10631	1	PLUG, WELCH			

## 11. Carburetor(Sr/Nr 36001001 and after)



KEY	LV	PART NUMBER	Q'TY	DESCRIPTION	REMARKS	NOTE1	NOTE2
		123000-38832	1	CARBURETOR HDA-153B	HDA-153B		
1	+	123110-16130	1	SCREW, PUMP COVER			
2	+	123124-19830	1	COVER, FUEL PUMP			
3	+	123125-12330	1	GASKET, FUEL PUMP			
4	+	123112-12330	1	DIAPHRAGM, FUEL PUMP			
5	+	123114-38830	2	SCREW			
6	+	123132-17330	1	VALVE, CHOKE			
7	+	123136-10630	1	BALL, CHOKE FRICTION			
8	+	123135-10630	1	SPRING, CHOKE FRICT.			
9	+	123126-10631	1	SCREEN, INLET			
10	+	123113-16130	1	SPRING, THRT. RETURN			
11	+	123117-32430	1	SHAFT, THROTTLE			
12	+	123114-38830	1	SCREW			
13	+	123116-16130	1	VALVE, THROTTLE			
14	+	123131-19830	1	SHAFT, CHOKE			
15	+	123156-30830	1	STOP, THROTTLE			
18	+	123120-32631	1	NEEDLE, HIGH SPEED			
19	+	P003-000010	2	LIMITER CAP			
20	+	123118-02261	1	NEEDLE			
21	+	123123-18330	1	LEVER, METERING			
22	+	123122-32630	1	SPRING, METER. LEVER			
23	+	123137-19830	1	VALVE, INLET NEEDLE			
24	+	123138-03930	1	PIN, METERING LEVER			
25	+	123139-03930	1	SCREW, M. LEVER PIN			
27	+	123140-16131	1	GASKET, M. DIAPHRAGM			
28	+	123141-16131	1	DIAPHRAGM, METERING			

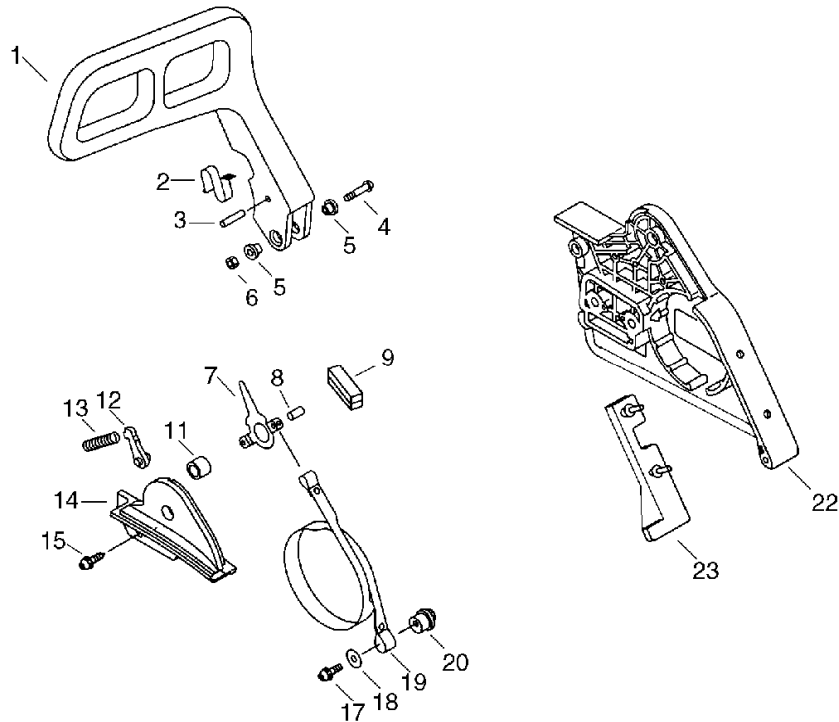
11. Carburetor(Sr/Nr 36001001 and after)



KEY	LV	PART NUMBER	Q'TY	DESCRIPTION	REMARKS	NOTE1	NOTE2
29	+	123142-17330	1	COVER, M. DIAPHRAGM			
30	+	123130-02960	4	SCREW			
34	+	123146-10631	1	PLUG, WELCH			
35	+	123178-15030	1	PLUG, FRICTION			

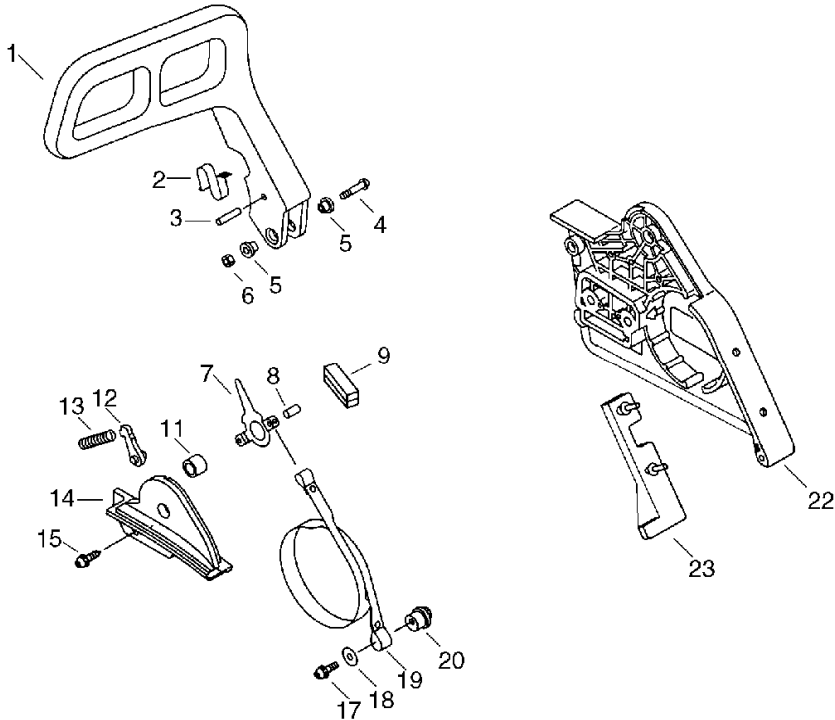


## 12. Chain Brake



KEY	LV	PART NUMBER	Q'TY	DESCRIPTION	REMARKS	NOTE1	NOTE2
		P021-007310	1	BRAKE ASY, CHAIN		Sus. by P021-007311	
		P021-007311	1	BRAKE ASY, CHAIN			
1	+	433105-60830	1	LEVER, BRAKE			
2	+	433114-38330	1	SPRING		Sus. by 433114-38331	
2	+	433114-38331	1	SPRING			
3	+	900330-35260	1	PIN 3.5*26	3.5*26		
4	+	900238-05035	1	SCREW 5*35	5*35		
5	+	433167-39130	2	SPACER			
6	+	900560-00005	1	NUT, LOCK 5	5	Sus. by 900562-50005	
6	+	900562-50005	1	LOCKNUT 5	5		
7	+	433208-35431	1	LEVER, BRAKE			
8	+	900330-40088	1	ROLLER 4*8.8	4*8.8		
9	+	433312-32630	1	COVER, SEAL			
11	+	433115-38330	1	WASHER 5.2*12*14	5.2*12*14		
12	+	433209-35430	1	STOPPER, BRAKE			
13	+	433122-38130	1	SPRING, BRAKE			
14	+	433310-60830	1	COVER, BRAKE			
15	+	900238-04010	2	SCREW 4*10	4*10		
17	+	900238-05025	1	SCREW 5*25	5*25		
18	+	351249-06960	1	WASHER			
19	+	433123-60830	1	BAND, BRAKE			
20	+	433142-60830	1	ADJUSTER, BRAKE			
22	+	433010-60830	1	GUARD, SPROCKET			

12. Chain Brake



KEY	LV	PART NUMBER	Q'TY	DESCRIPTION	REMARKS	NOTE1	NOTE2
23	+	433025-60830	1	PAD, GUARD			

**Index**

<b>Patrs Number</b>	<b>Key No.</b>	<b>Patrs Number</b>	<b>Key No.</b>	<b>Patrs Number</b>	<b>Key No.</b>
100000-30831	1 - 4	123113-16130	10 - 10	123146-10631	11 - 34
100000-30832	1 - 4	123113-16130	11 - 10	123146-17330	10 - 33
100011-30831	1 - 5	123114-03930	10 - 12	123156-12330	10 - 15
100012-30830	1 - 8	123114-38830	10 - 5	123156-30830	11 - 15
100013-30830	1 - 6	123114-38830	10 - 12	123168-10631	10 - 31
100015-30830	1 - 7	123114-38830	11 - 5	123169-10630	10 - 32
100100-30830	1 - 9	123114-38830	11 - 12	123178-15030	10 - 34
100142-30830	1 - 10	123116-16130	10 - 13	123178-15030	11 - 35
100143-19830	3 - 5	123116-16130	11 - 13	129010-19830	2 - 17
100143-19830	4 - 5	123117-32430	10 - 11	129010-38830	2 - 17
100204-30832	1 - 21	123117-32430	11 - 11	129011-19831	2 - 25
100212-19830	1 - 30	123118-02261	11 - 20	129013-30831	2 - 16
100213-30830	1 - 22	123118-30830	10 - 20	130007-30830	2 - 21
100215-02830	1 - 25	123120-30830	10 - 18	130012-30830	2 - 20
100242-30830	1 - 28	123120-32631	11 - 18	130020-19830	2 - 22
100252-30830	6 - 27	123121-16130	10 - 19	130110-30830	2 - 24
100252-30830	7 - 27	123122-16130	10 - 22	130111-00530	6 - 21
100905-19830	2 - 18	123122-32630	11 - 22	130111-00530	7 - 21
100910-30830	6 - 6	123123-18330	10 - 21	130302-30830	2 - 1
100910-30830	7 - 6	123123-18330	11 - 21	130303-30831	2 - 11
100917-30830	6 - 35	123124-19830	10 - 2	130306-30830	2 - 14
100917-30830	7 - 35	123124-19830	11 - 2	130320-30831	2 - 13
100918-19830	6 - 8	123125-12330	10 - 3	130339-30830	2 - 19
100918-19830	7 - 8	123125-12330	11 - 3	130356-19830	2 - 12
100921-30830	1 - 31	123126-10631	10 - 9	130405-30830	2 - 28
100922-30830	6 - 37	123126-10631	11 - 9	130406-30830	2 - 2
100922-30830	7 - 37	123130-02960	10 - 30	130510-30830	1 - 13
101001-30832	1 - 2	123130-02960	11 - 30	130516-30830	1 - 12
101001-30833	1 - 2	123131-19830	10 - 14	131004-19831	6 - 30
101010-30830	1 - 3	123131-19830	11 - 14	131004-19831	7 - 30
101501-31730	1 - 43	123132-17330	10 - 6	131050-19830	1 - 36
101520-33330	1 - 44	123132-17330	11 - 6	131050-19830	6 - 32
101521-30831	3 - 4	123135-10630	10 - 8	131050-19830	7 - 32
101521-30832	3 - 4	123135-10630	11 - 8	131051-19830	1 - 38
101521-30832	4 - 4	123136-10630	10 - 7	131051-19830	6 - 34
101529-30830	2 - 15	123136-10630	11 - 7	131051-19830	7 - 34
101534-30830	3 - 1	123137-19830	10 - 23	131205-19830	6 - 5
101534-30830	4 - 1	123137-19830	11 - 23	131205-19830	7 - 5
101535-30830	3 - 25	123138-03930	10 - 24	131300-56430	6 - 23
101535-30830	4 - 25	123138-03930	11 - 24	131300-56430	7 - 23
101541-30831	1 - 46	123139-03930	10 - 25	131328-40630	6 - 22
101578-30830	1 - 45	123139-03930	11 - 25	131328-40630	7 - 22
123000-30832	10 -	123140-16131	10 - 27	131329-32330	6 - 19
123000-30832	2 - 29	123140-16131	11 - 27	132010-30830	6 - 4
123000-38832	11 -	123141-16131	10 - 28	132010-30830	7 - 4
123110-16130	10 - 1	123141-16131	11 - 28	132011-19830	6 - 2
123110-16130	11 - 1	123142-17330	10 - 29	132011-19830	7 - 2
123112-12330	10 - 4	123142-17330	11 - 29	132011-19831	7 - 2
123112-12330	11 - 4	123146-10631	10 - 35	132012-02960	6 - 1

**Index**

<b>Patrs Number</b>	<b>Key No.</b>	<b>Patrs Number</b>	<b>Key No.</b>	<b>Patrs Number</b>	<b>Key No.</b>
132012-02960	7 - 1	175105-30830	8 - 16	351111-19830	7 - 16
132013-26630	5 - 4	175105-30830	9 - 16	351155-30131	6 - 9
132013-26630	6 - 43	175105-30831	9 - 16	351155-30131	7 - 9
132013-26630	7 - 43	177200-30831	3 - 26	351249-06960	12 - 18
132115-01461	6 - 3	177200-30831	4 - 26	351606-60830	6 - 42
132115-01461	7 - 3	177206-14330	3 - 30	351606-60830	7 - 42
132115-12330	5 - 27	177206-14330	4 - 30	351614-60830	6 - 39
145510-30830	2 - 46	177214-02830	3 - 28	351614-60830	7 - 39
145610-30830	2 - 41	177214-02830	4 - 28	433000-19831	1 - 17
145711-30830	2 - 48	177216-12330	3 - 31	433010-60830	12 - 22
145813-31730	2 - 49	177216-12330	4 - 31	433011-19830	1 - 27
145861-30830	2 - 43	177218-30830	3 - 22	433012-30830	8 - 3
150611-30830	3 - 13	177218-30830	4 - 22	433012-30830	9 - 3
150611-30830	4 - 13	177220-02834	3 - 33	433013-30830	8 - 6
152112-05730	3 - 10	177220-02834	4 - 33	433013-30830	9 - 6
152112-05730	4 - 10	177221-02830	3 - 34	433014-02830	1 - 16
156114-04920	2 - 37	177221-02830	4 - 34	433016-11031	1 - 14
156601-30831	3 - 11	177226-07060	3 - 29	433019-12330	3 - 6
156601-30831	4 - 11	177226-07060	4 - 29	433019-12330	4 - 6
156800-32631	3 - 3	177227-07060	3 - 36	433019-12330	8 - 2
156800-32631	4 - 3	177227-07060	4 - 36	433019-12330	9 - 2
159011-03432	3 - 8	177228-30830	3 - 35	433025-60830	12 - 23
159011-03432	4 - 8	177228-30830	4 - 35	433028-11030	1 - 15
159012-03433	3 - 7	177234-30830	3 - 20	433105-60830	12 - 1
159012-03433	4 - 7	177234-30830	4 - 20	433114-38330	12 - 2
159017-31730	3 - 9	177242-30830	3 - 32	433114-38331	12 - 2
159017-31730	4 - 9	177242-30830	4 - 32	433115-38330	12 - 11
162021-30830	2 - 38	177247-12331	3 - 21	433122-38130	12 - 13
163400-30830	2 - 35	177247-12331	4 - 21	433123-60830	12 - 19
175000-30831	8 - 7	178010-19830	6 - 14	433142-60830	12 - 20
175000-30832	8 - 7	178010-19830	7 - 14	433167-39130	12 - 5
175000-30832	9 - 7	178043-19830	6 - 13	433208-35431	12 - 7
175002-30830	8 - 13	178043-19830	7 - 13	433209-35430	12 - 12
175002-30831	8 - 13	178073-32430	6 - 12	433310-60830	12 - 14
175002-30831	9 - 13	178073-32430	7 - 12	433312-32630	12 - 9
175012-30830	8 - 15	178078-19830	2 - 30	436001-31730	1 - 34
175012-30831	9 - 15	178090-30130	6 - 11	436114-13930	1 - 23
175016-30830	8 - 11	178090-30130	7 - 11	436205-14730	5 - 29
175016-30830	9 - 11	178114-19830	2 - 31	437002-37530	5 - 35
175018-30830	8 - 12	178302-12330	6 - 24	437006-32330	5 - 41
175018-30830	9 - 12	178302-12330	7 - 24	437009-35430	5 - 37
175019-30830	8 - 8	178307-30830	2 - 34	437012-00330	5 - 14
175019-30830	9 - 8	178510-30830	2 - 32	437013-00330	5 - 15
175029-30830	8 - 9	178810-11231	2 - 33	437015-19830	5 - 24
175029-30830	9 - 9	305114-06060	6 - 41	437020-32430	5 - 42
175033-14731	8 - 17	305114-06060	7 - 41	437030-19830	5 - 39
175033-14731	9 - 17	351103-30832	6 - 18	437039-30830	5 - 25
175059-30830	8 - 10	351103-30832	7 - 18	437062-19830	5 - 40
175059-30830	9 - 10	351111-19830	6 - 16	437063-33231	5 - 6

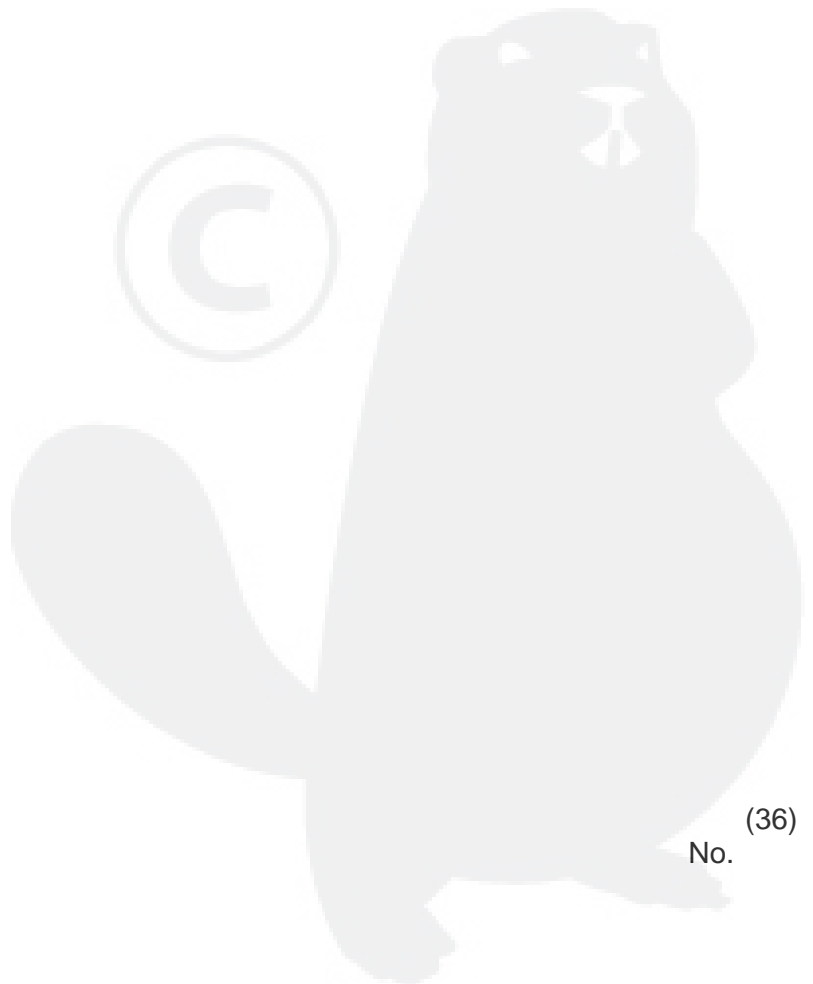
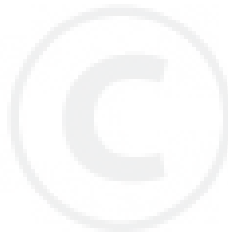
**Index**

<b>Patrs Number</b>	<b>Key No.</b>	<b>Patrs Number</b>	<b>Key No.</b>	<b>Patrs Number</b>	<b>Key No.</b>
437065-19830	5 - 38	900162-04014	5 - 1	900345-50010	1 - 24
437066-30831	5 - 3	900162-04014	6 - 10	900560-00005	12 - 6
437100-19831	5 - 11	900162-04014	7 - 10	900562-50005	12 - 6
437100-19832	5 - 11	900162-04020	3 - 12	900600-00005	1 - 19
437110-19831	5 - 19	900162-04020	4 - 12	900603-00005	3 - 23
437111-19830	5 - 18	900162-05014	1 - 32	900603-00005	4 - 23
437112-19831	5 - 16	900162-05014	1 - 32	900605-00006	1 - 42
437118-19830	5 - 12	900162-05014	2 - 27	900700-00003	5 - 23
437121-10130	5 - 22	900162-05014	3 - 27	900720-00003	2 - 4
437122-03430	5 - 13	900162-05014	4 - 27	900720-00003	5 - 7
437210-30830	5 - 10	900162-05014	6 - 7	900720-00003	5 - 36
437210-31730	6 - 20	900162-05014	7 - 7	900720-00007	5 - 17
437210-31730	7 - 20	900162-05020	1 - 18	900720-00010	2 - 3
437210-32430	5 - 28	900162-05020	1 - 33	900720-20029	6 - 31
437210-38330	5 - 28	900162-05020	2 - 50	900720-20029	7 - 31
437211-32430	5 - 8	900162-05020	3 - 2	900721-00025	1 - 35
437212-32430	5 - 9	900162-05020	3 - 37	900810-36203	1 - 26
437605-32430	5 - 2	900162-05020	4 - 2	P003-000010	11 - 19
880210-30830	1 - 40	900162-05020	4 - 37	P021-005410	1 - 2
890112-60830	2 - 5	900162-05020	5 - 21	P021-005420	1 - 4
890112-60831	2 - 5	900162-05020	6 - 25	P021-007310	12 -
890118-15130	8 - 1	900162-05020	6 - 38	P021-007311	12 -
890118-15130	9 - 1	900162-05020	7 - 25	V203-000140	3 - 24
890118-17930	3 - 38	900162-05020	7 - 38	V203-000140	4 - 24
890118-17930	4 - 38	900162-05025	2 - 23	V450-000290	5 - 15
890155-30130	8 - 19	900162-05030	3 - 24	V611-000000	1 - 6
890155-30130	9 - 19	900162-05035	1 - 29	X502-000460	4 - 38
890157-19830	2 - 36	900162-05055	2 - 26	X502-000560	9 - 1
890157-39130	6 - 17	900162-06020	2 - 47		
890157-39130	7 - 17	900162-06025	1 - 1		
890316-39130	8 - 18	900220-04008	2 - 40		
890316-39130	9 - 18	900238-04010	12 - 15		
890345-39230	1 - 47	900238-05014	1 - 39		
890631-38130	1 - 48	900238-05014	3 - 27		
895410-02830	8 - 23	900238-05025	12 - 17		
895410-02830	9 - 23	900238-05035	12 - 4		
895812-03930	8 - 22	900241-03006	8 - 4		
895812-03930	9 - 22	900241-03006	9 - 4		
898510-39130	9 - 28	900241-04008	8 - 5		
898513-31731	8 - 24	900241-04008	9 - 5		
898513-31731	9 - 24	900242-04008	2 - 39		
898568-14530	8 - 25	900246-03008	1 - 37		
898568-14530	9 - 25	900246-03008	6 - 33		
900105-04008	8 - 14	900246-03008	7 - 33		
900105-04008	9 - 14	900330-35260	12 - 3		
900105-06020	1 - 41	900330-40088	12 - 8		
900162-04010	2 - 42	900342-50025	6 - 15		
900162-04010	6 - 36	900342-50025	7 - 15		
900162-04010	7 - 36	900345-20016	5 - 20		

# YAMABIKO CORPORATION

7-2 SUEHIROCHO 1-CHOME, OHME, TOKYO 198-8760, JAPAN  
PHONE: 81-428-32-6118. FAX: 81-428-32-6145.

**ECHO**<sup>®</sup>



(36)  
No.