



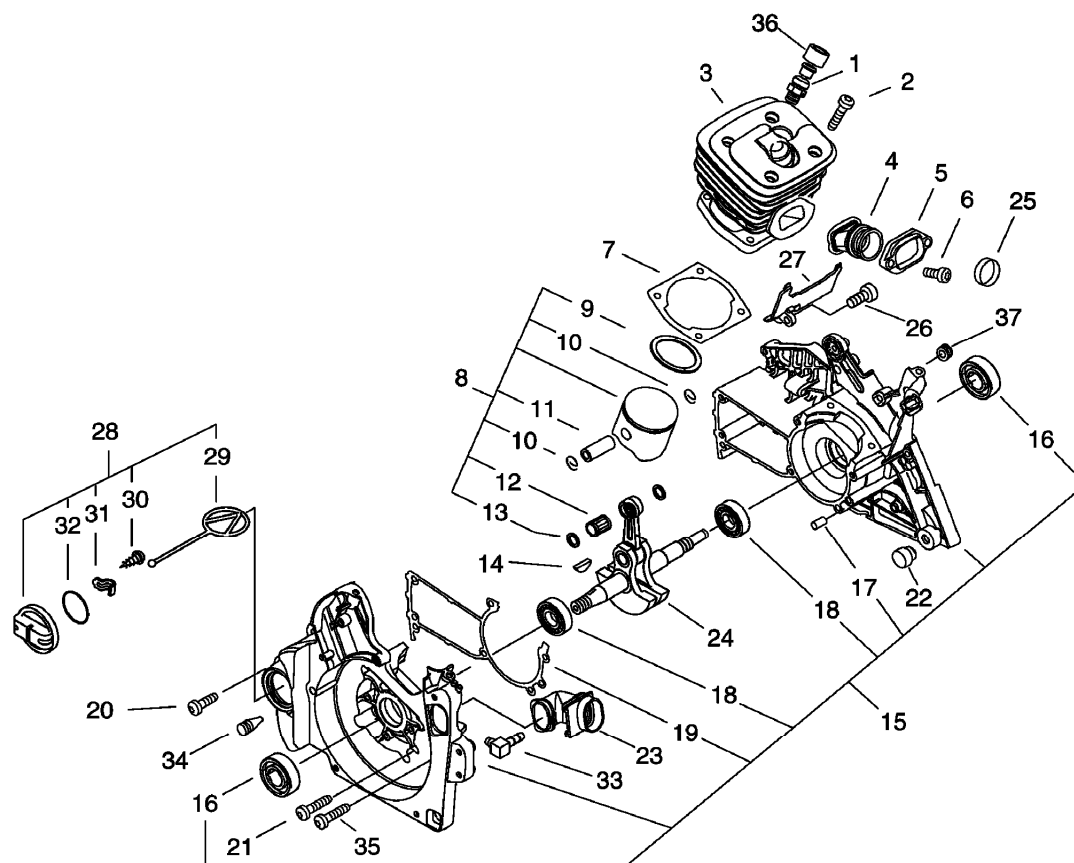
# PARTS CATALOG

## CHAIN SAW CS-600(36)

- 36002250

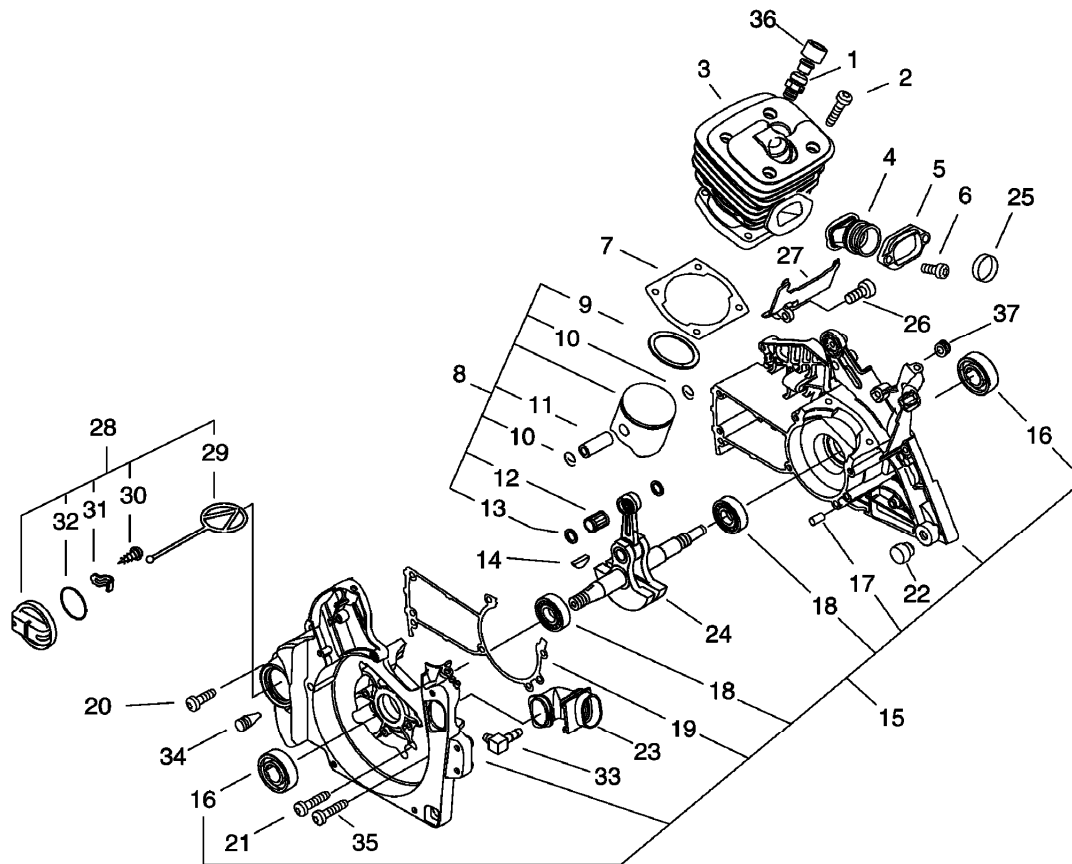
CS-600(36)

# 1. Cylinder, Crankcase, Piston



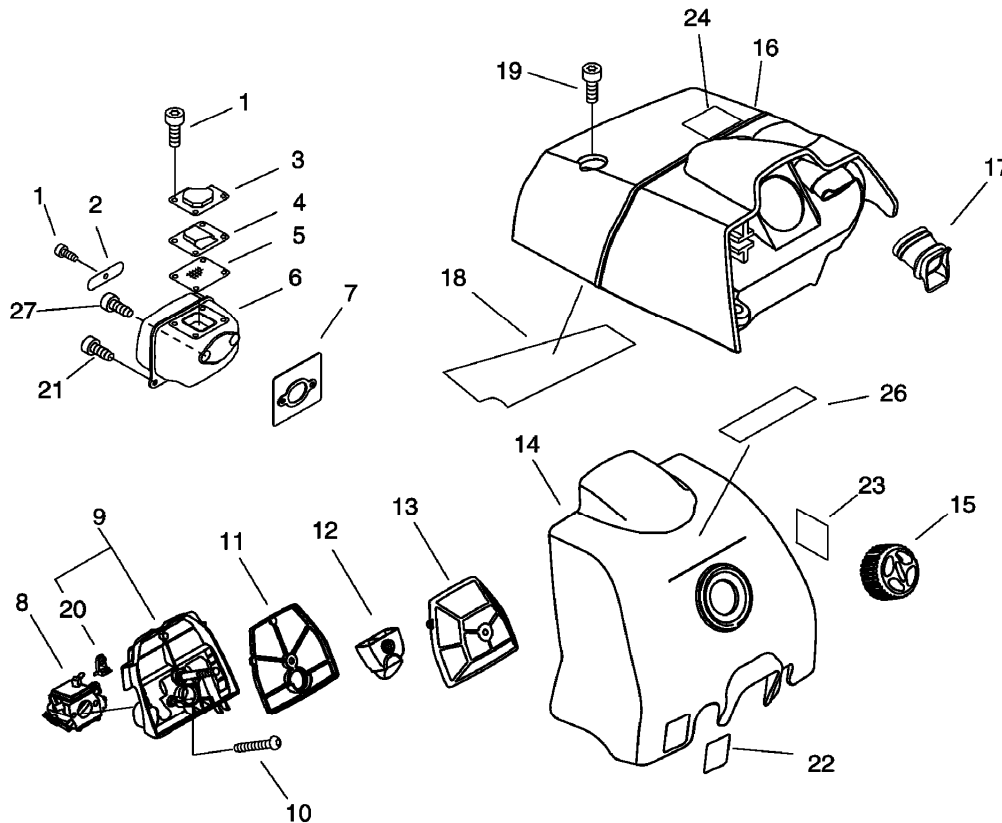
KEY	LV	PART NUMBER	Q'TY	DESCRIPTION	REMARKS	NOTE1	NOTE2
1		A014-000040		DECOMP,ASM			
2		V805-000220		BOLT, TORX 5	TB-5*25 12.9		
3		A130-000910		CYLINDER	45 4TW		
4		A202-000080		BELLOWS, INTAKE			
5		A206-000010		HOLDER, BELLOWS			
6		V805-000000		BOLT, TORX 5	TT-5*16 DG 10.9		
7		V100-000270		GASKET,CYL			
8		P021-015190		PISTON KIT			
9	+	A101-000210		RING, PISTON	45*1.5*1.9		
10	+	V580-000030		RING,END	D 1.0		
11	+	V609-000010		PIN,ENG 11	7*11*37.6		
12	+	V556-000000		BEARING,NEEDLE 11	KBK11*15*15.8X2		
13	+	V308-000040		WASHER,CIRCULAR 11	11.2*19.5*0.5		
14		100142-30830		KEY, WOODRUFF			
15		P021-015130		CRANK CASE SET			
16	+	V508-000010		SEAL,OIL 15	ISCD 15*25*7		
17	+	100215-02830		PIN, DOWEL			
18	+	V592-000000		BEARING, BALL	15*38*11		
19	+	V102-000060		GASKET,CRANKCASE	T0.4		
20		V805-000010		BOLT, TORX 5	TT-5*20 DG 10.9		
21		V805-000020		BOLT, TORX 5	TT-5*35 DG 10.9		

# 1. Cylinder, Crankcase, Piston



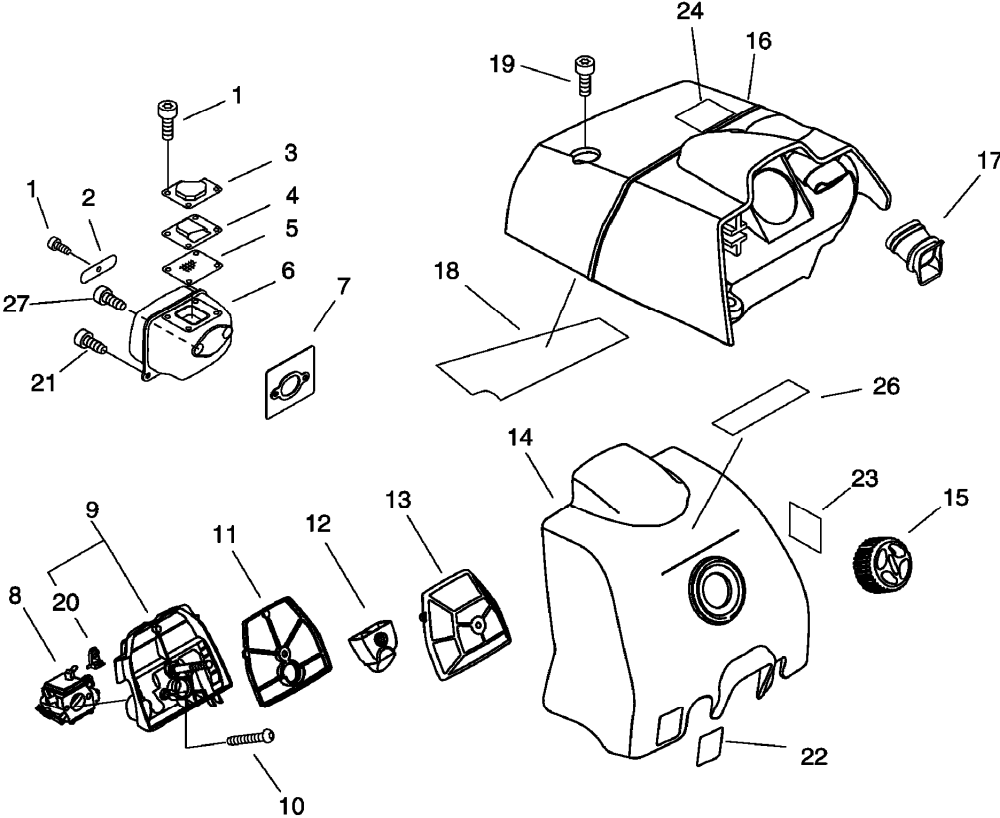
KEY	LV	PART NUMBER	Q'TY	DESCRIPTION	REMARKS	NOTE1	NOTE2
22		V420-001790		CUSHION			
23		A239-000060		PIPE, INTAKE			
24		A011-000540		CRANKSHAFT, ASY			
25		V360-000060		COLLAR, 18			
26		V805-000000		BOLT, TORX 5	TT-5*16 DG 10.9		
27		E106-000020		GUIDE, AIR			
28		P021-016030		CAP, OIL			
29	+	131051-19830		LINK	60L		
30	+	900246-03008		SCREW 3*8	3*8		
31	+	131050-19830		RETAINER, LINK			
32	+	900720-00028		O-RING 28	P-28		
33		437239-14730		NIPPLE			
34		436114-13930		VALVE, CHECK			
35		V805-000170		BOLT, TORX 5	TB-5*25 10.9		
36		V141-000090		GROMMET, PLUG			
37		132115-01461		GROMMET			

## 2. Air Cleaner, Carburetor, Muffler



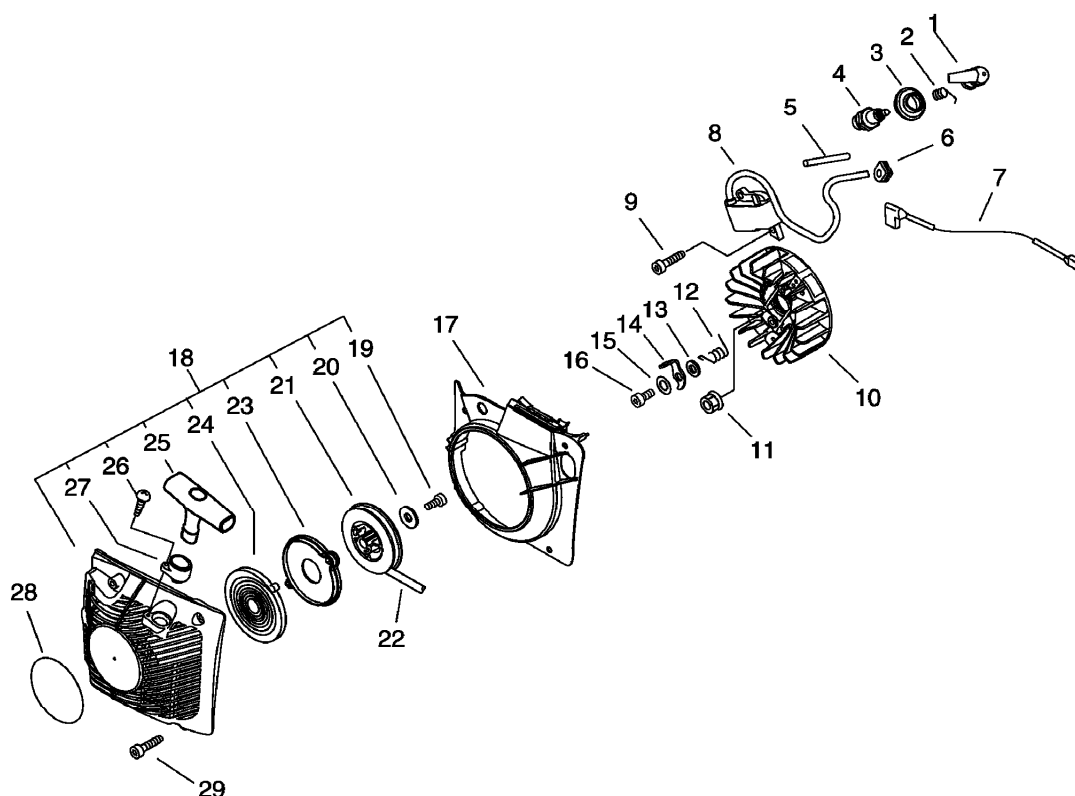
KEY	LV	PART NUMBER	Q'TY	DESCRIPTION	REMARKS	NOTE1	NOTE2
1		V804-000030		BOLT, TORX 4	TB-4*8 10.9		
2		A301-000030		PLATE, MUFFLER	T0.5		
3		A313-001050		GUIDE, EXHAUST			
4		A313-001040		GUIDE, EXHAUST			
5		A310-000100		SCREEN, ARRESTOR			
6		A300-000770		MUFFLER, EXHAUST			
7		V104-000910		GASKET, EXHAUST	T1.6		
8		A021-001660		CARBURETOR, DIAPHRAGM	HDA-268		
9		P021-016020		CASE, CLEANER			
20	+	A219-000000		SHUTTER, AIR			
10		V805-000030		BOLT, TORX 5	TT-5*50 DG 10.9		
11		A226-000450		ELEMENT, AIR FILTER	AC-200N		
12		A244-000080		PLATE, PREVENT			
13		A226-000440		ELEMENT, AIR FILTER	AC-200N		
14		A232-000470		LID, CLEANER			
15		A235-000190		KNOB, CLEANER LID			
16		A160-001080		COVER, CYLINDER			
17		A239-000070		PIPE, INTAKE			
18		V341-000140		WASHER, SQUARE	75*32*0.15		
19		V805-000000		BOLT, TORX 5	TT-5*16 DG 10.9		
21		V855-000000		BOLT, TORX 5	TB-5*20		
22		890157-39130		LABEL, SWITCH			
23		890631-38130		LABEL, CAUTION			
24		890345-39230		LABEL, CAUTION			

2. Air Cleaner, Carburetor, Muffler



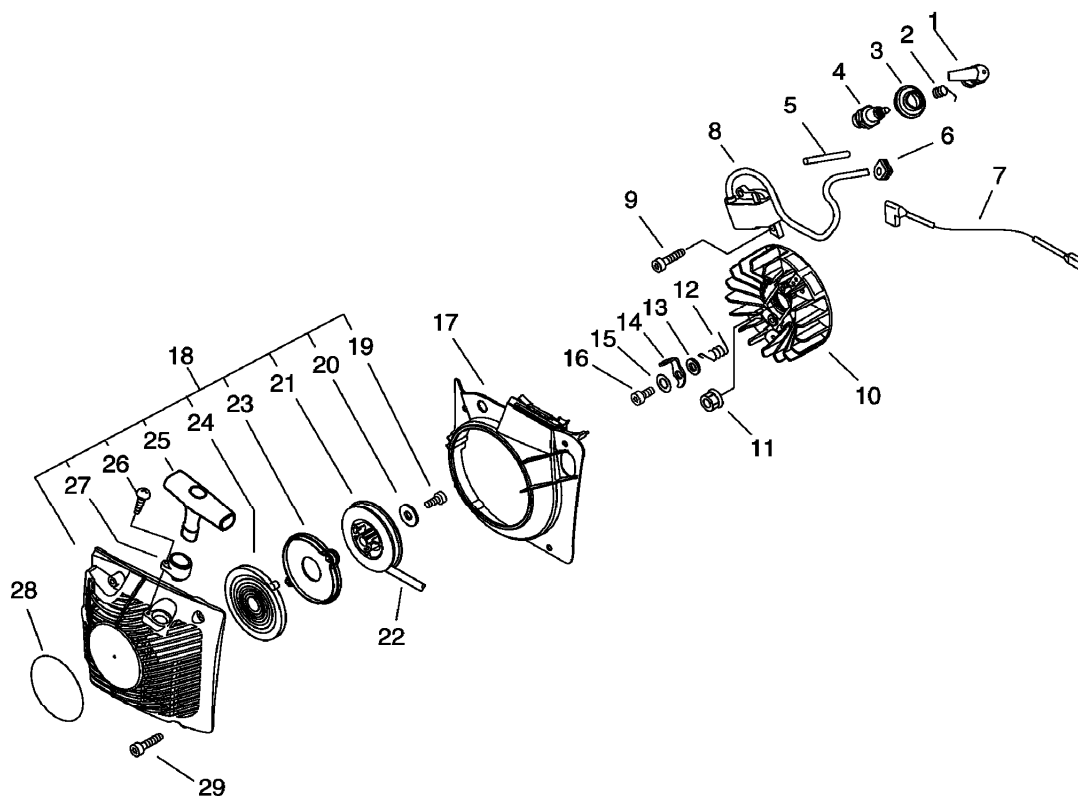
KEY	LV	PART NUMBER	Q'TY	DESCRIPTION	REMARKS	NOTE1	NOTE2
26		X503-009510		LABEL,MODEL	CS-600		
27		V805-000210		BOLT, TORX 5	TB-5*20 12.9		

## 3. Starter, Magneto



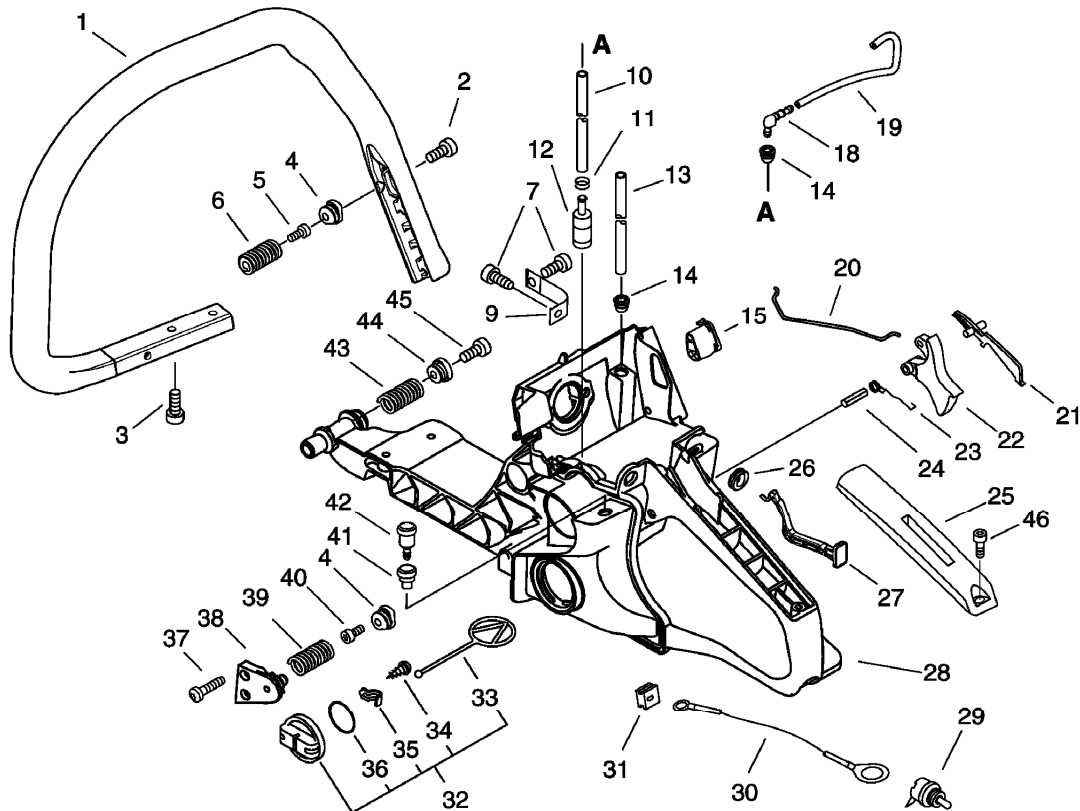
KEY	LV	PART NUMBER	Q'TY	DESCRIPTION	REMARKS	NOTE1	NOTE2
1		A427-000013		CAP, SPARK PLUG			
2		A426-000010		TERMINAL, SPARKPLUG			
3		A429-000040		COVER, CAP			
4		A425-000000		SPARKPLUG	BPMR8Y		
5		V475-004130		TUBE			
6		V135-000040		GROMMET, HT CORD			
7		V485-001090		LEAD	L:280/#250/#187		
8		A411-000450		COIL, IGNITION			
9		V805-000000		BOLT, TORX 5	TT-5*16 DG 10.9		
10		A409-000360		ROTOR, MAGNETO			
11		900515-00008		NUT, FLANGE 8	8		
12		177234-35430		SPRING, RETURN			
13		177247-04630		SPACER, RATCHET	5.2*8*2.1		
14		177218-19830		PAWL, STARTER			
15		900603-00005		WASHER 5	5.5*12*0.8		
16		V835-000000		BOLT, TORX 5			
17		A172-000840		COVER, FAN			
18		P021-015160		STARTER ASY			
19	+	V805-000130		BOLT, TORX 5	TB-5*10 10.9		
20	+	177214-02830		WASHER	5.2*16*1.0T		
21	+	A506-000110		REEL, ROPE			
22	+	177226-07060		ROPE, STARTER	4.0*950		
23	+	A503-000030		PLATE, STARTER			
24	+	177220-35430		SPRING, REWIND			

## 3. Starter, Magneto



KEY	LV	PART NUMBER	Q'TY	DESCRIPTION	REMARKS	NOTE1	NOTE2
25	+	A511-000070		GRIP, STARTER			
26	+	900296-03016		SCREW 3*16			
27	+	A510-000090		GUIDE, ROPE			
28		X502-000460		LABEL,ECHO			
29		V805-000000		BOLT, TORX 5	TT-5*16 DG 10.9		

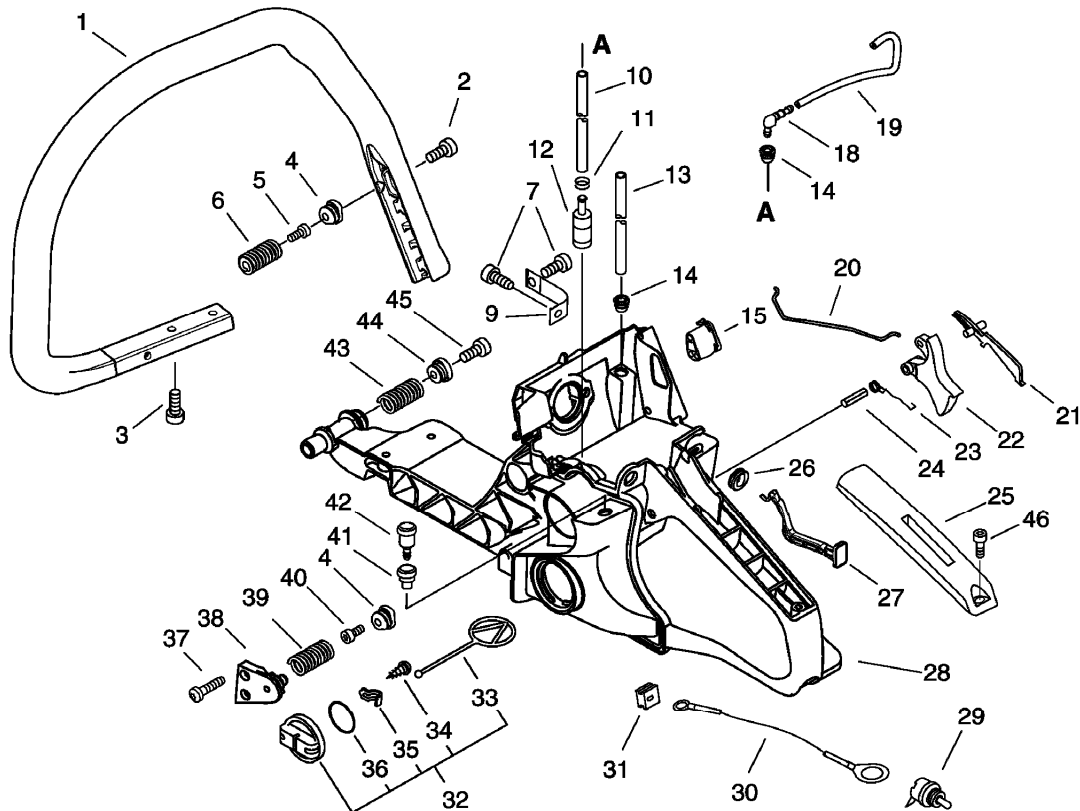
## 4. Handle



KEY	LV	PART NUMBER	Q'TY	DESCRIPTION	REMARKS	NOTE1	NOTE2
1		C400-000550		HANDLE, FRONT			
2		V806-000000		BOLT, TORX 6	TT-6*20 DG 10.9		
3		V805-000010		BOLT, TORX 5	TT-5*20 DG 10.9		
4		V456-000080		HOLDER, SPRING	14.4		
5		V805-000000		BOLT, TORX 5	TT-5*16 DG 10.9		
6		V450-000730		SPRING, COMPRESSION	17*38.4		
7		V805-000000		BOLT, TORX 5	TT-5*16 DG 10.9		
9		C617-000360		STOPPER			
10		V471-000600		PIPE	3*5*120		
11		132013-09820		CLIP	6MM		
12		131205-19831		STRAINER, FUEL			
13		130110-30830		PIPE, IMPULSE			
14		132115-01461		GROMMET			
15		V131-000020		GROMMET, NEEDLE			
18		V186-000080		JOINT, PIPE			
19		130110-14530		PIPE, IMPULSE	3*6*135L		
20		C454-000170		ROD, THROTTLE			
21		178090-37930		LOCKOUT, T. CONTROL			
22		C450-000360		CONTROL, THROTTLE			
23		V452-000260		SPRING, TORSION			
24		900345-40025		PIN, SPRING 4*25SUS	4*25SUS		
25		C411-000001		LID, HANDLE			

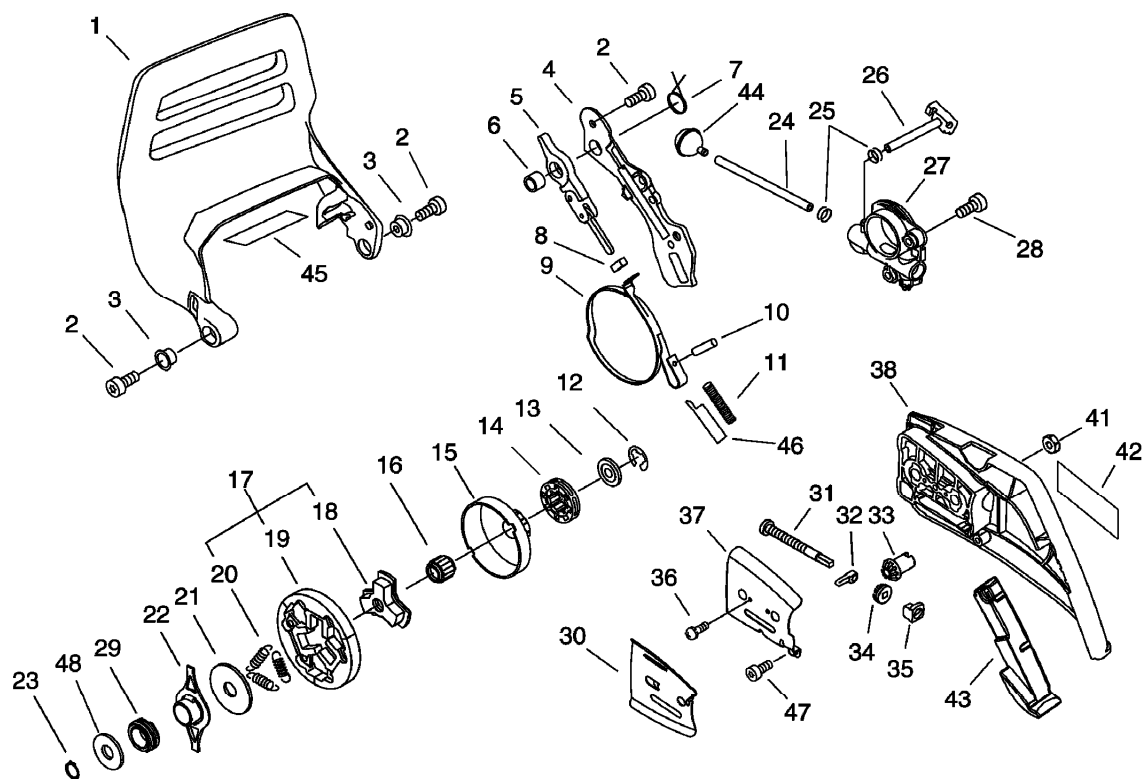


## 4. Handle



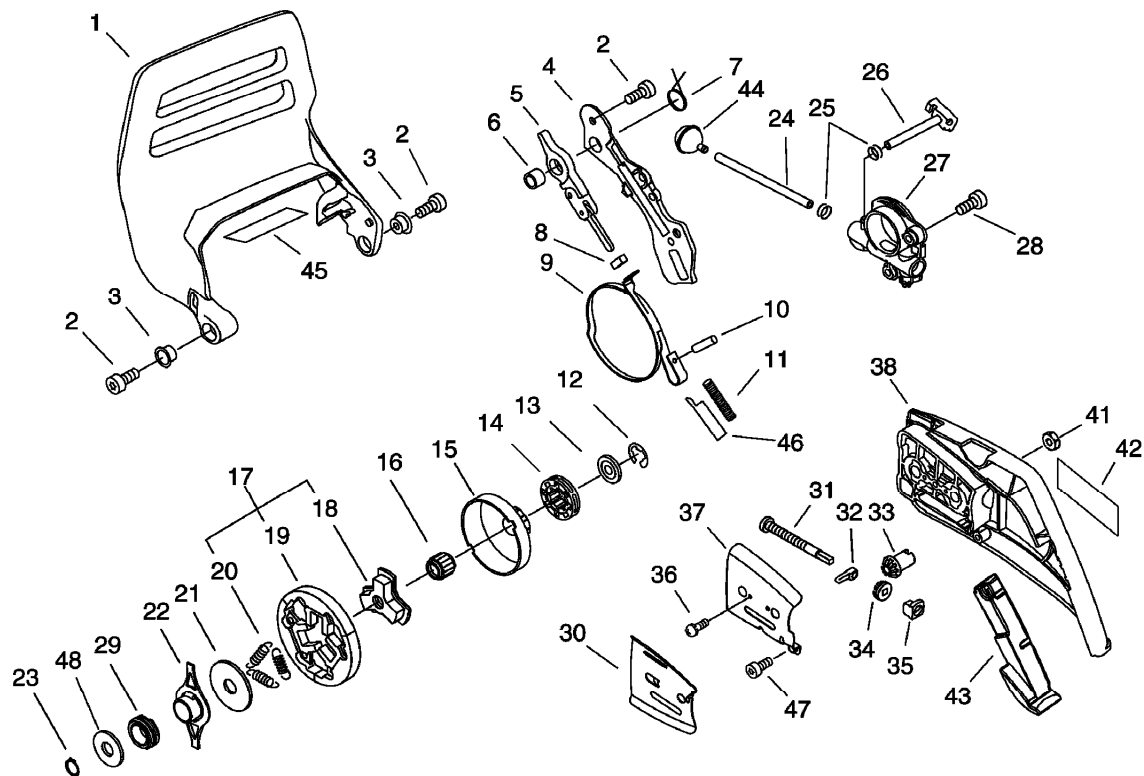
KEY	LV	PART NUMBER	Q'TY	DESCRIPTION	REMARKS	NOTE1	NOTE2
26		V130-000030		GROMMET,CHOKE			
27		A241-000170		KNOB, CHOKE			
28		C410-000460		HANDLE, REAR			
29		A440-001190		SWITCH, ON OFF			
30		V485-001100		LEAD	L:170/LA105		
31		150114-04920		BUSHING			
32		P021-016040		CAP,FUER ASSY			
33	+	131051-19830		LINK	60L		
34	+	900246-03008		SCREW 3*8	3*8		
35	+	131050-19830		RETAINER, LINK			
36	+	900720-20029		O-RING 29	P-29		
37		V805-000010		BOLT, TORX 5	TT-5*20 DG 10.9		
38		V456-000090		HOLDER,SPRING			
39		V450-000760		SPRING,COMPRESSION	17*36.7*2.6		
40		V805-000230		BOLT, TORX 5	TT-5*25 DG 10.9		
41		A359-000000		COVER,VENT	22.5*D18*D8.5		
42		131300-56430		VALVE, CHECK			
43		V450-000770		SPRING,COMPRESSION	20*40*3.3		
44		V456-000100		HOLDER,SPRING			
45		V806-000000		BOLT, TORX 6	TT-6*20 DG 10.9		
46		V804-000000		BOLT, TORX 4	TT-4*12 DG 10.9		

## 5. Clutch, Sprocket



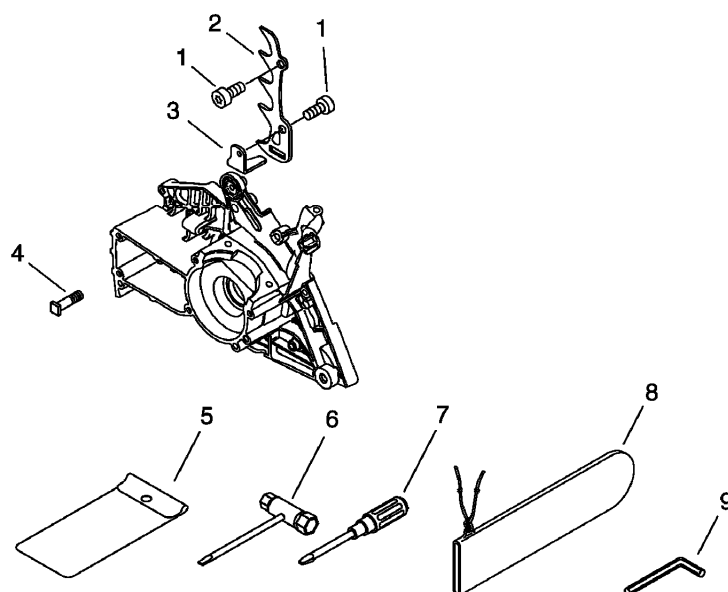
KEY	LV	PART NUMBER	Q'TY	DESCRIPTION	REMARKS	NOTE1	NOTE2
1		C320-000180		LEVER, BRAKE			
2		V805-000000		BOLT, TORX 5	TT-5*16 DG 10.9		
3		V356-000440		COLLAR,10	11.2*16.2*T0.6		
4		C345-000280		COVER,BRAKE			
5		C334-000110		CONNECTOR, BRAKE			
6		433116-35430		SPACER 8	8*12*9		
7		V452-000400		SPRING,TORSION			
8		V376-000450		SPACER			
9		C328-000120		BAND, BRAKE			
10		93050-30080		ROLLER			
11		V450-000740		SPRING, COMPRESSION	12*70.5		
12		V583-000130		RING	8 T1.2		
13		V307-000180		WASHER, CIRCULAR 10	10*28.5*3.5(0.8)		
14		175033-14731		SPROCKET, RIM 68210S			
15		A556-000550		DRUM, CLUTCH			
16		100113-04630		BEARING, NEEDLE			
17		A056-000220		CLUTCH ASY	VA		
18	+	A552-000110		HUB, CLUTCH			
19	+	A555-000070		SHOE, CLUTCH			
20	+	V451-000500		SPRING, TENSION			
21		A551-000110		PLATE, CLUTCH	12*36*2		
22		V358-000090		COLLAR,14			
23		900701-00015		CIRCLIP 15	CS-15		

## 5. Clutch, Sprocket



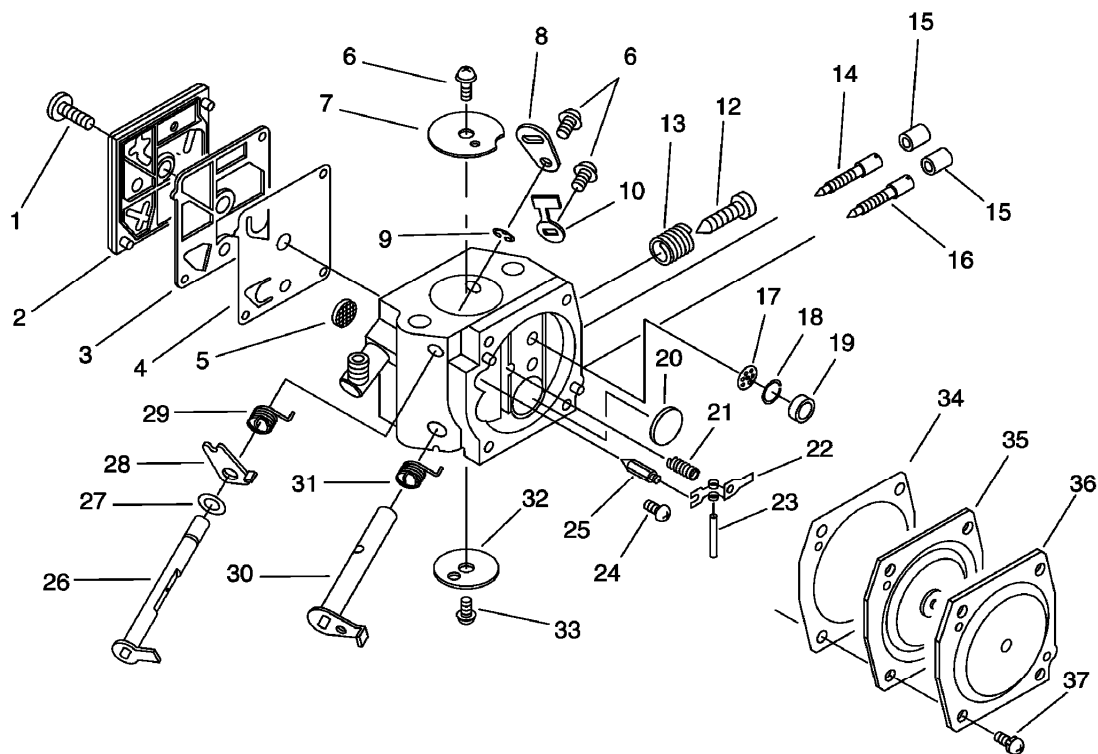
KEY	LV	PART NUMBER	Q'TY	DESCRIPTION	REMARKS	NOTE1	NOTE2
24		437210-30830		PIPE, OIL	NBR 3*6*210L		
25		132013-09820		CLIP	6MM		
26		V470-000830		PIPE			
27		C022-000050		AUTO-OILER ASSEMBLY			
28		V804-000000		BOLT, TORX 4	TT-4*12 DG 10.9		
29		V652-000050		GEAR, WORM			
30		C305-000110		PLATE, SPROCKET GUARD			
31		V203-000110		BOLT, 5			
32		C309-000070		TENSIONER, CHAIN			
33		V651-000001		GEAR, BEVEL			
34		V651-000011		GEAR, BEVEL			
35		V355-000270		COLLAR, 8			
36		900241-03006		SCREW 3*6	3*6		
37		C305-000100		PLATE, SPROCKET GUARD			
38		C300-000410		GUARD, SPROCKET			
41		V265-000110		NUT, 8			
42		X502-000340		LABEL, ECHO	ECHO(WHITE)		
43		C302-000010		PAD, GUARD			
44		436205-14730		STRAINER, OIL			
45		V341-000130		WASHER, SQUARE	75*27*0.15		
46		C603-000220		PLATE, SIDE	T0.3		
47		V804-000000		BOLT, TORX 4	TT-4*12 DG 10.9		
48		V311-000090		WASHER, CIRCULAR 16-1	15.5*22.5*0.5		

## 6. Tools



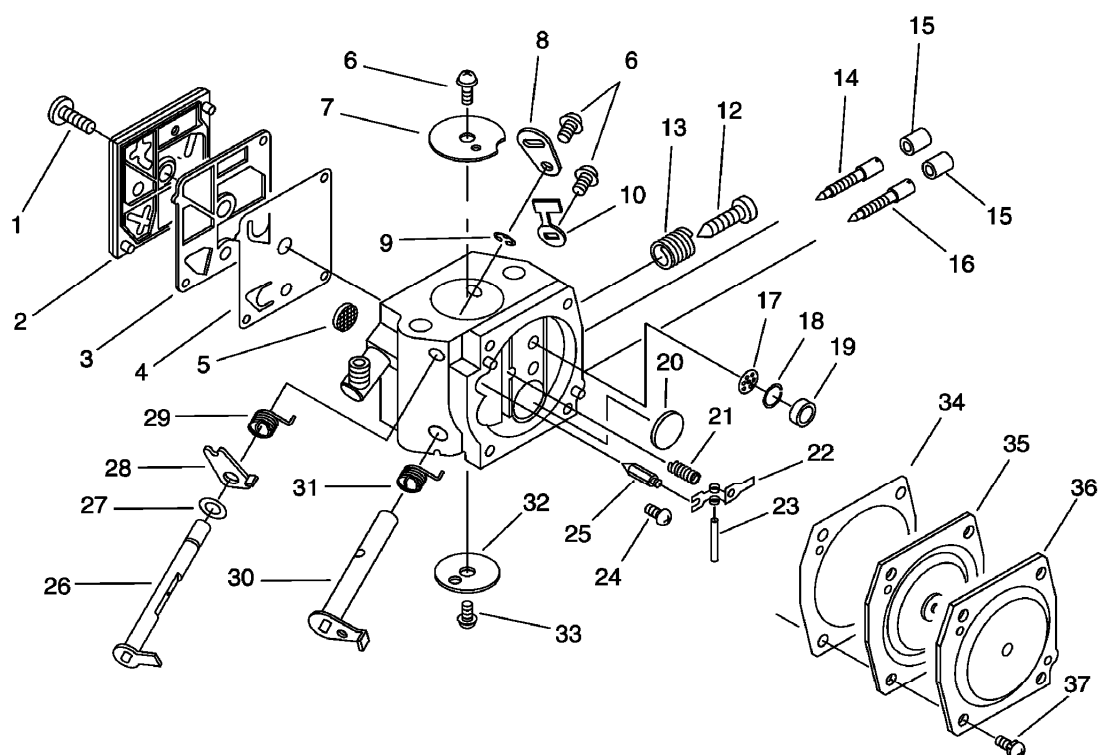
KEY	LV	PART NUMBER	Q'TY	DESCRIPTION	REMARKS	NOTE1	NOTE2
1		V805-000000		BOLT, TORX 5	TT-5*16 DG 10.9		
2		C304-000040		SPIKED			
3		C310-000010		CATCHER, CHAIN			
4		V205-000400		BOLT, 8	11.5		
5		898510-07130		BAG, TOOL			
6		X602-000080		TOOL, WRENCH	13*19 L180		
7		895812-03930		DRIVER, SCREW 50			
8		898548-14531		SCABBARD, CHAIN			
9		X605-000050		TOOL, L WRENCH			

## 7. Carburettor



KEY	LV	PART NUMBER	Q'TY	DESCRIPTION	REMARKS	NOTE1	NOTE2
0		A021-001660		CARBURETOR,DIAPHRAGM	HDA-268		
1	+	123110-16130		SCREW, PUMP COVER			
2	+	123124-19830		COVER, FUEL PUMP			
3	+	123125-12330		GASKET, FUEL PUMP			
4	+	123112-12330		DIAPHRAGM, FUEL PUMP			
5	+	123126-10631		SCREEN, INLET			
6	+	123114-38830		SCREW			
7	+	123116-16130		VALVE, THROTTLE			
8	+	P003-002300		LEVER, CHOKE			
9	+	123127-15030		RING			
10	+	123156-30830		STOP, THROTTLE			
12	+	123134-04260		SCREW, IDLE ADJUST			
13	+	123133-04260		SPRING, IDLE ADJUST			
14	+	123120-32631		NEEDLE, HIGH SPEED			
15	+	P003-000010		LIMITER CAP			
16	+	123118-02261		NEEDLE			
20	+	123146-10631		PLUG, WELCH			
21	+	123122-32630		SPRING, METER. LEVER			
22	+	123123-18330		LEVER, METERING			
23	+	123138-03930		PIN, METERING LEVER			
24	+	123139-03930		SCREW, M. LEVER PIN			
25	+	123137-19830		VALVE, INLET NEEDLE			
26	+	P003-002290		SHAFT, CHOKE			
27	+	123149-26030		WASHER			
28	+	P003-000620		LEVER-FAST IDLE			
29	+	P003-000610		SPRING			

## 7. Carburettor



KEY	LV	PART NUMBER	Q'TY	DESCRIPTION	REMARKS	NOTE1	NOTE2
30	+	P003-002280		SHAFT, THROTTLE			
31	+	P003-000560		SPRING, THRT. RETURN			
32	+	123132-16130		VALVE, CHOKE			
33	+	123114-05260		SCREW			
34	+	123140-16130		GASKET, M. DIAPHRAGM			
35	+	123141-16131		DIAPHRAGM, METERING			
36	+	123142-17330		COVER, M. DIAPHRAGM			
37	+	123130-02960		SCREW			

**Index**

<b>Patrs Number</b>	<b>Key No.</b>	<b>Patrs Number</b>	<b>Key No.</b>	<b>Patrs Number</b>	<b>Key No.</b>
100113-04630	5 - 16	178090-37930	4 - 21	A409-000360	3 - 10
100142-30830	1 - 14	433116-35430	5 - 6	A411-000450	3 - 8
100215-02830	1 - 17	436114-13930	1 - 34	A425-000000	3 - 4
123110-16130	7 - 1	436205-14730	5 - 44	A426-000010	3 - 2
123112-12330	7 - 4	437210-30830	5 - 24	A427-000013	3 - 1
123114-05260	7 - 33	437239-14730	1 - 33	A429-000040	3 - 3
123114-38830	7 - 6	890157-39130	2 - 22	A440-001190	4 - 29
123116-16130	7 - 7	890345-39230	2 - 24	A503-000030	3 - 23
123118-02261	7 - 16	890631-38130	2 - 23	A506-000110	3 - 21
123120-32631	7 - 14	895812-03930	6 - 7	A510-000090	3 - 27
123122-32630	7 - 21	898510-07130	6 - 5	A511-000070	3 - 25
123123-18330	7 - 22	898548-14531	6 - 8	A551-000110	5 - 21
123124-19830	7 - 2	900241-03006	5 - 36	A552-000110	5 - 18
123125-12330	7 - 3	900246-03008	1 - 30	A555-000070	5 - 19
123126-10631	7 - 5	900246-03008	4 - 34	A556-000550	5 - 15
123127-15030	7 - 9	900296-03016	3 - 26	C022-000050	5 - 27
123130-02960	7 - 37	900345-40025	4 - 24	C300-000410	5 - 38
123132-16130	7 - 32	900515-00008	3 - 11	C302-000010	5 - 43
123133-04260	7 - 13	900603-00005	3 - 15	C304-000040	6 - 2
123134-04260	7 - 12	900701-00015	5 - 23	C305-000100	5 - 37
123137-19830	7 - 25	900720-00028	1 - 32	C305-000110	5 - 30
123138-03930	7 - 23	900720-20029	4 - 36	C309-000070	5 - 32
123139-03930	7 - 24	93050-30080	5 - 10	C310-000010	6 - 3
123140-16130	7 - 34	A011-000540	1 - 24	C320-000180	5 - 1
123141-16131	7 - 35	A014-000040	1 - 1	C328-000120	5 - 9
123142-17330	7 - 36	A021-001660	2 - 8	C334-000110	5 - 5
123146-10631	7 - 20	A021-001660	7 - 0	C345-000280	5 - 4
123149-26030	7 - 27	A056-000220	5 - 17	C400-000550	4 - 1
123156-30830	7 - 10	A101-000210	1 - 9	C410-000460	4 - 28
130110-14530	4 - 19	A130-000910	1 - 3	C411-000001	4 - 25
130110-30830	4 - 13	A160-001080	2 - 16	C450-000360	4 - 22
131050-19830	1 - 31	A172-000840	3 - 17	C454-000170	4 - 20
131050-19830	4 - 35	A202-000080	1 - 4	C603-000220	5 - 46
131051-19830	1 - 29	A206-000010	1 - 5	C617-000360	4 - 9
131051-19830	4 - 33	A219-000000	2 - 20	E106-000020	1 - 27
131205-19831	4 - 12	A226-000440	2 - 13	P003-000010	7 - 15
131300-56430	4 - 42	A226-000450	2 - 11	P003-000560	7 - 31
132013-09820	4 - 11	A232-000470	2 - 14	P003-000610	7 - 29
132013-09820	5 - 25	A235-000190	2 - 15	P003-000620	7 - 28
132115-01461	1 - 37	A239-000060	1 - 23	P003-002280	7 - 30
132115-01461	4 - 14	A239-000070	2 - 17	P003-002290	7 - 26
150114-04920	4 - 31	A241-000170	4 - 27	P003-002300	7 - 8
175033-14731	5 - 14	A244-000080	2 - 12	P021-015130	1 - 15
177214-02830	3 - 20	A300-000770	2 - 6	P021-015160	3 - 18
177218-19830	3 - 14	A301-000030	2 - 2	P021-015190	1 - 8
177220-35430	3 - 24	A310-000100	2 - 5	P021-016020	2 - 9
177226-07060	3 - 22	A313-001040	2 - 4	P021-016030	1 - 28
177234-35430	3 - 12	A313-001050	2 - 3	P021-016040	4 - 32
177247-04630	3 - 13	A359-000000	4 - 41	V100-000270	1 - 7

**Index**

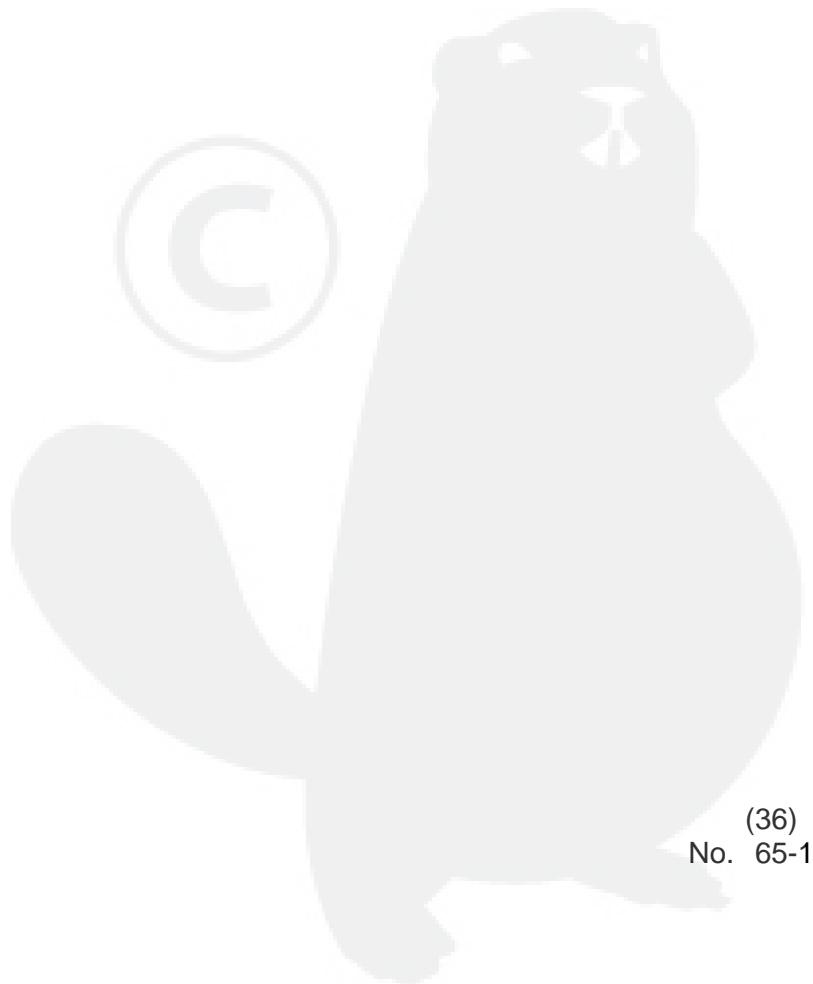
<b>Patrs Number</b>	<b>Key No.</b>	<b>Patrs Number</b>	<b>Key No.</b>	<b>Patrs Number</b>	<b>Key No.</b>
V102-000060	1 - 19	V805-000000	1 - 6		
V104-000910	2 - 7	V805-000000	1 - 26		
V130-000030	4 - 26	V805-000000	2 - 19		
V131-000020	4 - 15	V805-000000	3 - 9		
V135-000040	3 - 6	V805-000000	3 - 29		
V141-000090	1 - 36	V805-000000	4 - 5		
V186-000080	4 - 18	V805-000000	4 - 7		
V203-000110	5 - 31	V805-000000	5 - 2		
V205-000400	6 - 4	V805-000000	6 - 1		
V265-000110	5 - 41	V805-000010	1 - 20		
V307-000180	5 - 13	V805-000010	4 - 3		
V308-000040	1 - 13	V805-000010	4 - 37		
V311-000090	5 - 48	V805-000020	1 - 21		
V341-000130	5 - 45	V805-000030	2 - 10		
V341-000140	2 - 18	V805-000130	3 - 19		
V355-000270	5 - 35	V805-000170	1 - 35		
V356-000440	5 - 3	V805-000210	2 - 27		
V358-000090	5 - 22	V805-000220	1 - 2		
V360-000060	1 - 25	V805-000230	4 - 40		
V376-000450	5 - 8	V806-000000	4 - 2		
V420-001790	1 - 22	V806-000000	4 - 45		
V450-000730	4 - 6	V835-000000	3 - 16		
V450-000740	5 - 11	V855-000000	2 - 21		
V450-000760	4 - 39	X502-000340	5 - 42		
V450-000770	4 - 43	X502-000460	3 - 28		
V451-000500	5 - 20	X503-009510	2 - 26		
V452-000260	4 - 23	X602-000080	6 - 6		
V452-000400	5 - 7	X605-000050	6 - 9		
V456-000080	4 - 4				
V456-000090	4 - 38				
V456-000100	4 - 44				
V470-000830	5 - 26				
V471-000600	4 - 10				
V475-004130	3 - 5				
V485-001090	3 - 7				
V485-001100	4 - 30				
V508-000010	1 - 16				
V556-000000	1 - 12				
V580-000030	1 - 10				
V583-000130	5 - 12				
V592-000000	1 - 18				
V609-000010	1 - 11				
V651-000001	5 - 33				
V651-000011	5 - 34				
V652-000050	5 - 29				
V804-000000	4 - 46				
V804-000000	5 - 28				
V804-000000	5 - 47				
V804-000030	2 - 1				



# YAMABIKO CORPORATION

7-2 SUEHIROCHO 1-CHOME, OHME, TOKYO 198-8760, JAPAN  
PHONE: 81-428-32-6118. FAX: 81-428-32-6145.

**ECHO**®



(36)  
No. 65-115