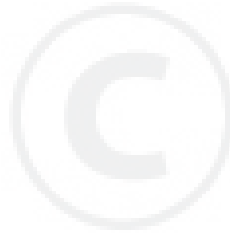




PARTS CATALOG

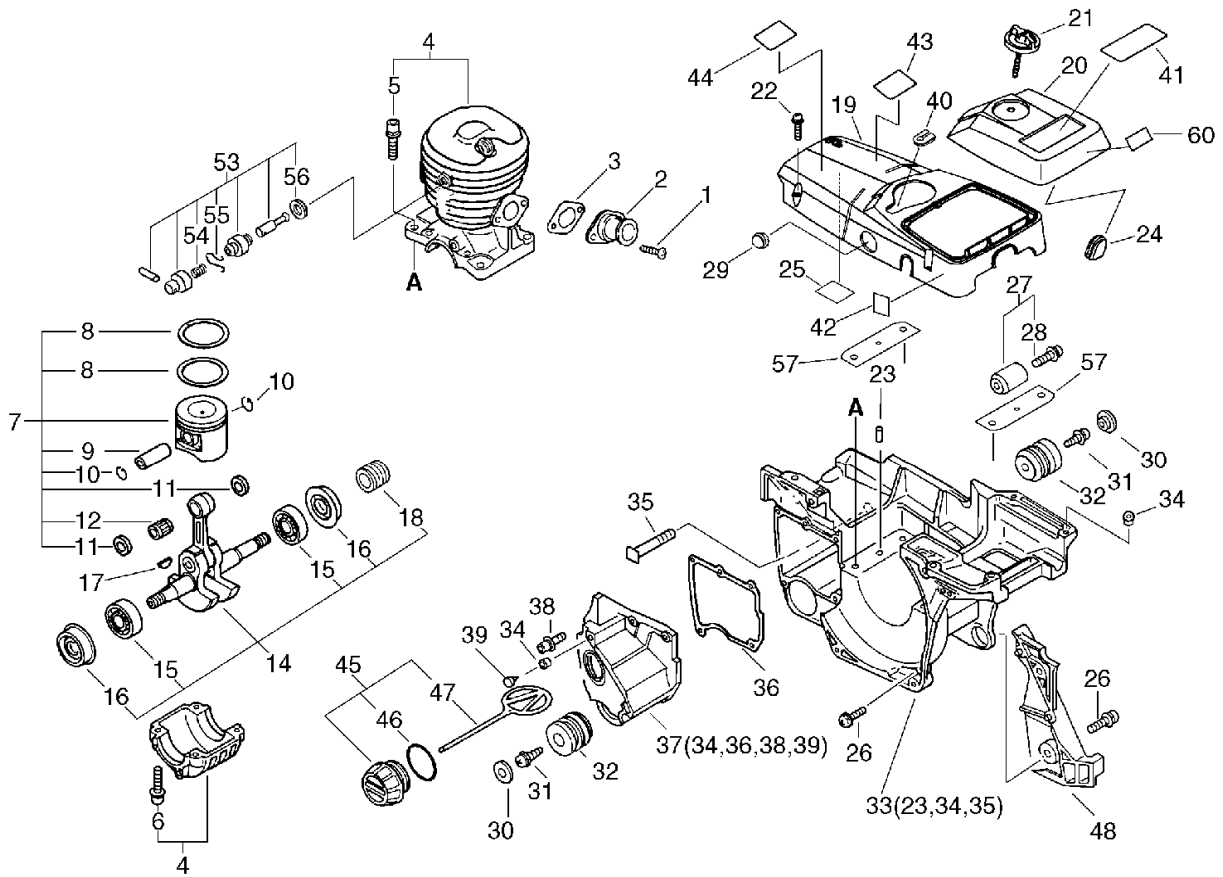
CHAIN SAW

CS-5100(6digits)(21)(35)(36)



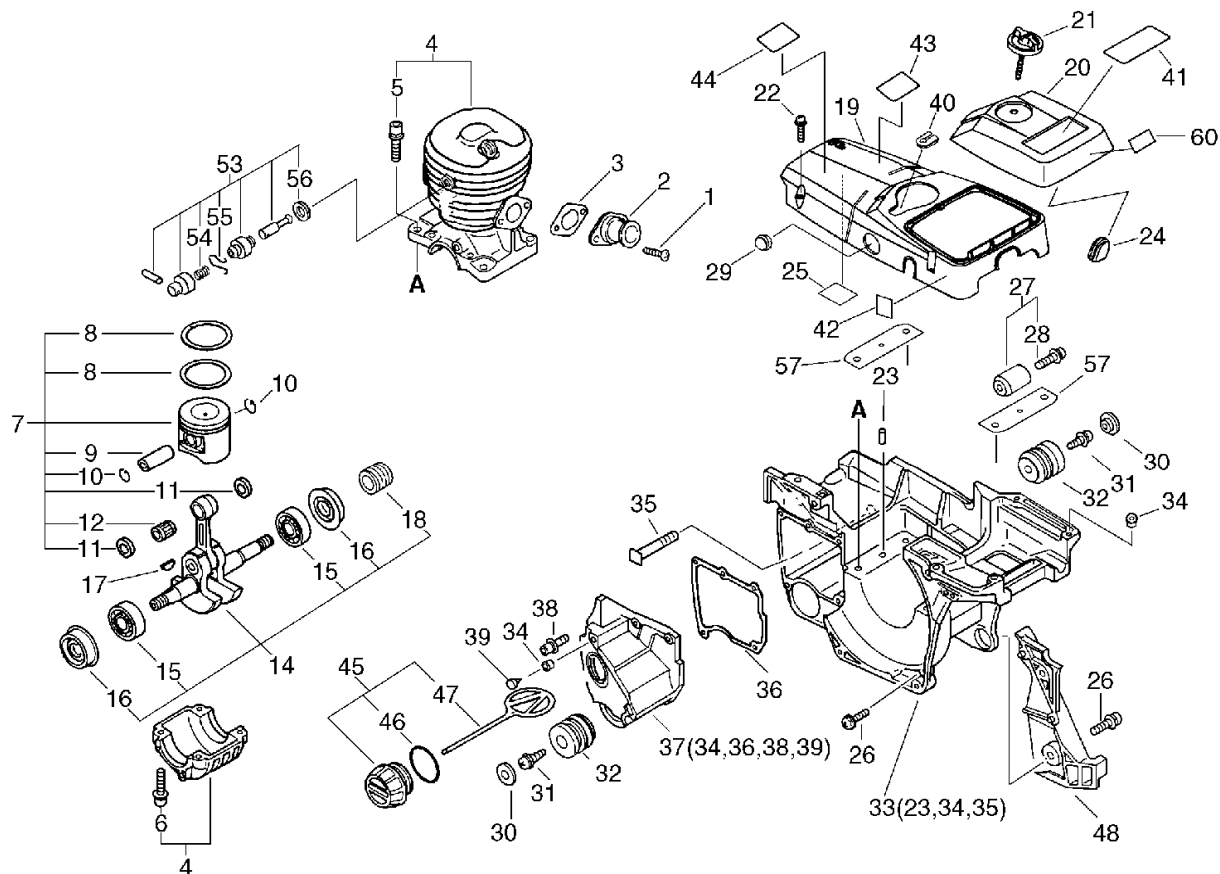
CS-5100(6digits)(21)(35)(36)

1. Cylinder, Crankcase, Piston



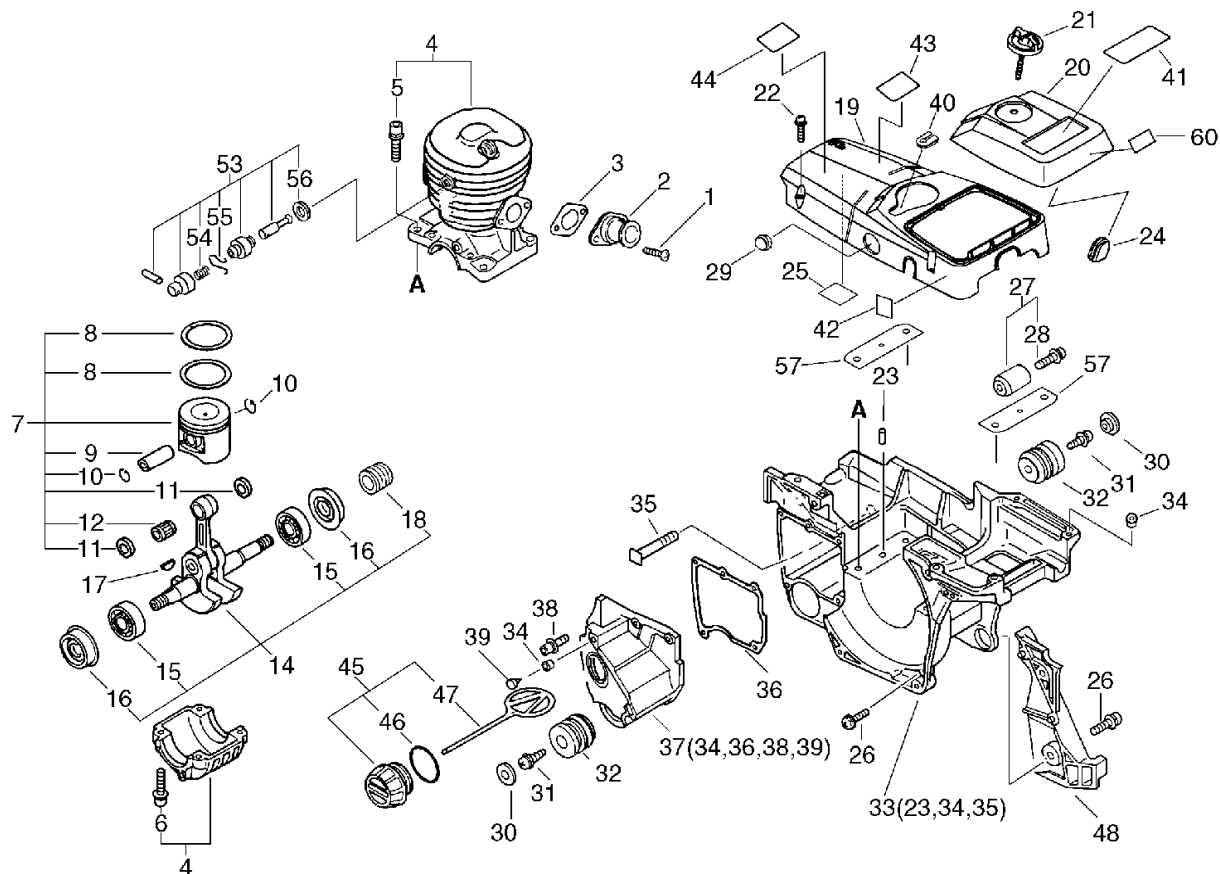
| KEY | LV | PART NUMBER | Q'TY | DESCRIPTION | REMARKS | NOTE1 | NOTE2 |
|-----|----|--------------|------|---------------------|-----------------|----------------------|-------|
| 1 | | 900238-05012 | 2 | SCREW 5*12 | 5*12 | | |
| 2 | | 130510-39932 | 1 | ADAPTER, INTAKE | | | |
| 3 | | 130016-39930 | 1 | GASKET, INTAKE | | | |
| 4 | | P021-004080 | 1 | CRANKCASE SET | | Sus. by P021-004082 | |
| 4 | | P021-004082 | 1 | CRANKCASE SET | | | |
| 5 | + | 900162-05022 | 4 | BOLT, H.S. 5*22 | 5*22 W,SW | | |
| 6 | + | 900106-05020 | 4 | BOLT, H.S. 5*20 | 5*20 | | |
| 7 | | P021-001060 | 1 | PISTON KIT | | Sus. by P021-001062 | |
| 7 | | P021-001061 | 1 | PISTON KIT | | Sus. by P021-001062 | |
| 7 | | P021-001062 | 1 | PISTON KIT | | Sus. by P021-001064 | |
| 8 | + | 100011-39730 | 2 | RING, PISTON | | Sus. by 100011-39731 | |
| 9 | + | V609-000000 | 1 | PIN,ENG 11 | | | |
| 10 | + | 100015-32330 | 2 | CIRCLIP, PISTON PIN | | | |
| 11 | + | V308-000000 | 2 | WASHER,CIRCULAR 11 | | Sus. by V308-000010 | |
| 11 | + | V308-000010 | 2 | WASHER,CIRCULAR 11 | 11*19*3.1 | | |
| 12 | + | 100012-32330 | 1 | BEARING, NEEDLE | | Sus. by V556-000000 | |
| 12 | + | V556-000000 | 1 | BEARING,NEEDLE 11 | KBK11*15*15.8X2 | | |

1. Cylinder, Crankcase, Piston



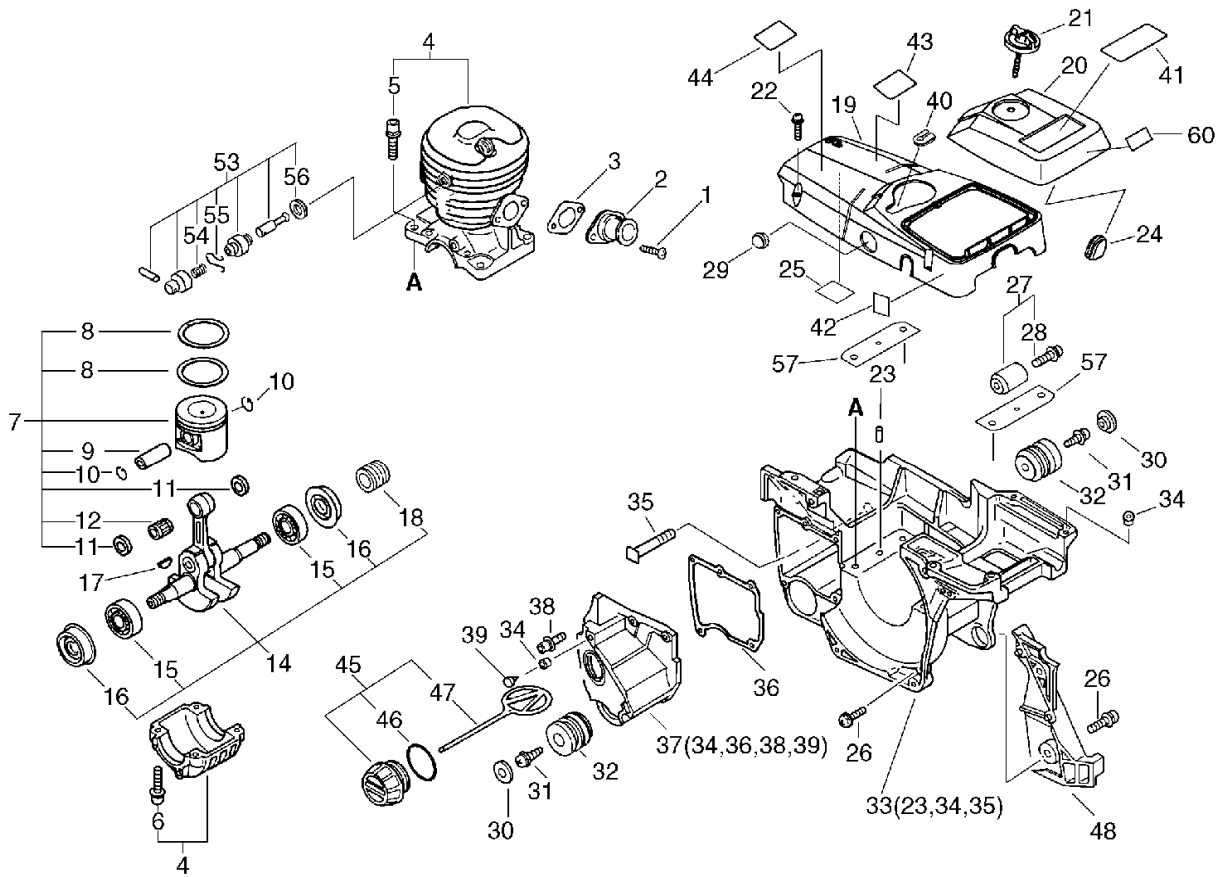
| KEY | LV | PART NUMBER | Q'TY | DESCRIPTION | REMARKS | NOTE1 | NOTE2 |
|-----|----|--------------|------|--------------------|---------|---------------------|-------|
| 14 | | P021-001070 | 1 | CRANKSHAFT,ASSY | | Sus. by P021-001071 | |
| 14 | | P021-001071 | 1 | CRANKSHAFT,ASSY | | | |
| 15 | + | 900810-36202 | 2 | BEARING, BALL 6202 | 6202/C3 | | |
| 16 | + | V508-000000 | 2 | SEAL,OIL 15 | | | |
| 18 | + | V652-000000 | 1 | GEAR,WORM | | | |
| 17 | | 100142-30830 | 1 | KEY, WOODRUFF | | | |
| 19 | | A160-000100 | 1 | COVER,CYLINDER | | Sus. by A160-000101 | |
| 19 | | A160-000101 | 1 | COVER,CYLINDER | | Sus. by A160-000102 | |
| 19 | | A160-000102 | 1 | COVER,CYLINDER | | CHINA | |
| 20 | | A232-000020 | 1 | LID,CLEANER | | Sus. by A232-000021 | |
| 20 | | A232-000021 | 1 | LID,CLEANER | | Sus. by A232-000022 | |
| 20 | | A232-000023 | 1 | LID,CLEANER | | Sus. by A232-000023 | |
| 21 | | A235-000020 | 1 | KNOB,CLEANER LID | | | |
| 22 | | 163890-38330 | 3 | BOLT, 5 | | | |
| 24 | | 130338-32430 | 1 | PLUG, COVER | | | |
| 25 | | 101520-35430 | 1 | COVER | | | |
| 26 | | 900238-05016 | 3 | SCREW 5*16 | 5*16 | | |
| 27 | | 433000-19831 | 1 | CATCHER KIT, CHAIN | | | |
| 28 | + | 900220-05018 | 1 | SCREW 5*18 | 5*18 | | |
| 29 | | 101578-38431 | 1 | PLUG | | | |

1. Cylinder, Crankcase, Piston



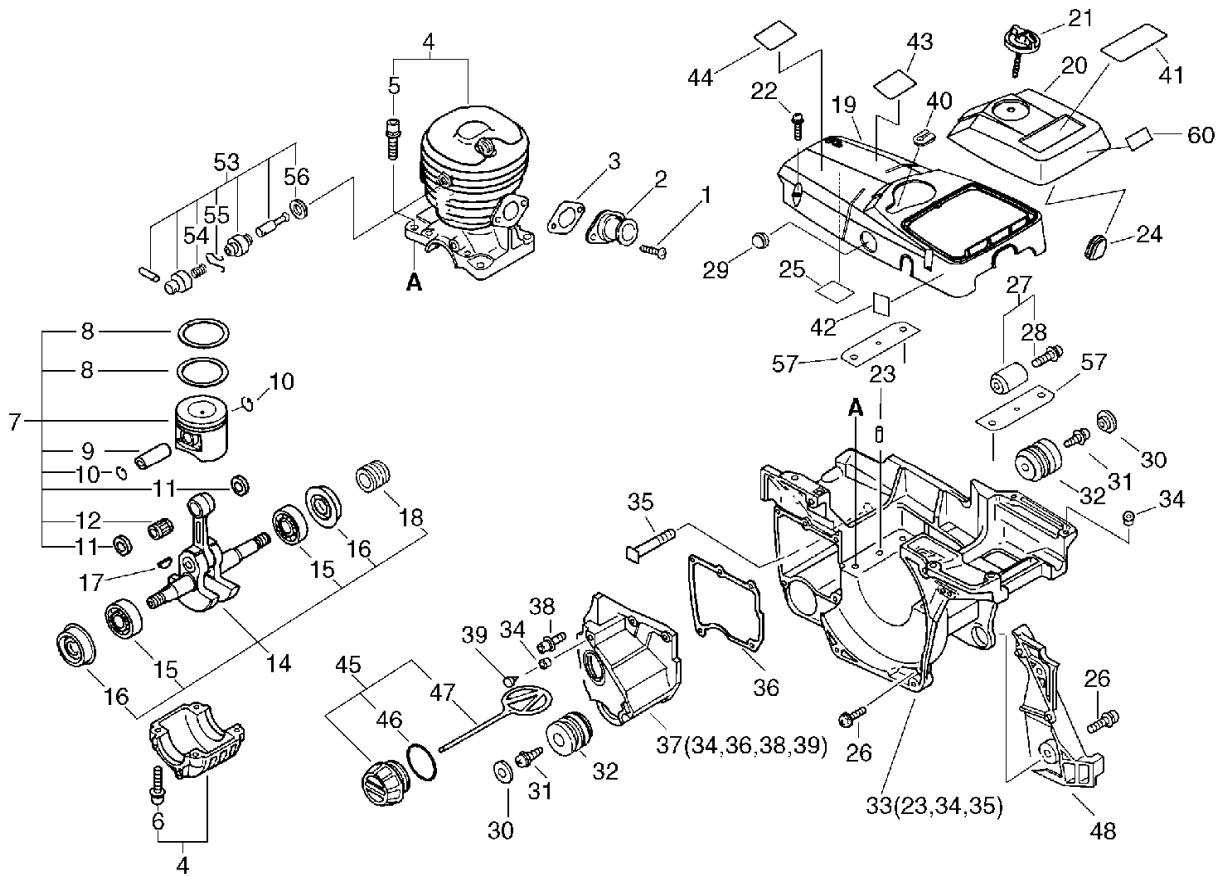
| KEY | LV | PART NUMBER | Q'TY | DESCRIPTION | REMARKS | NOTE1 | NOTE2 |
|-----|----|--------------|------|------------------|---------------|---------------------|-------|
| 30 | | 100918-38330 | 2 | CAP, CUSHION | | | |
| 31 | | 100915-33930 | 2 | SCREW | | | |
| 32 | | 100921-38330 | 2 | CUSHION | | | |
| 33 | | 104005-38332 | 1 | COVER, ENGINE | | Sus. by P021-003110 | |
| 33 | | 104005-38333 | 1 | COVER, ENGINE | | Sus. by P021-003110 | |
| 33 | | 104005-38334 | 1 | COVER, ENGINE | | Sus. by P021-003110 | |
| 33 | | P021-003110 | 1 | COVER, ENGINE | | | |
| 23 | + | 100215-03930 | 2 | PIN, DOWEL | | | |
| 34 | + | 436018-38330 | 2 | PIN, DOWEL | | | |
| 35 | + | 433011-19830 | 2 | STUD, GUIDE BAR | | | |
| 37 | | 436005-38332 | 1 | TANK, OIL (BS) | | | |
| 34 | + | 436018-38330 | 1 | PIN, DOWEL | | | |
| 36 | + | 436019-38330 | 1 | GASKET, OIL TANK | | | |
| 38 | + | 900162-04016 | 3 | BOLT, H.S. 4*16 | 4*16 W,SW | | |
| 39 | + | 436114-13930 | 1 | VALVE, CHECK | | | |
| 40 | | V135-000010 | 1 | GROMMET, HT CORD | | | |
| 41 | | X503-000660 | 1 | LABEL, MODEL | CS-5100 | | |
| 41 | | X503-005660 | 1 | LABEL, MODEL | CS-5100 CHINA | CHINA | |
| 42 | | X505-000000 | 1 | LABEL, CAUTION | | | |
| 43 | | X505-000180 | 1 | LABEL, CAUTION | | | |

1. Cylinder, Crankcase, Piston



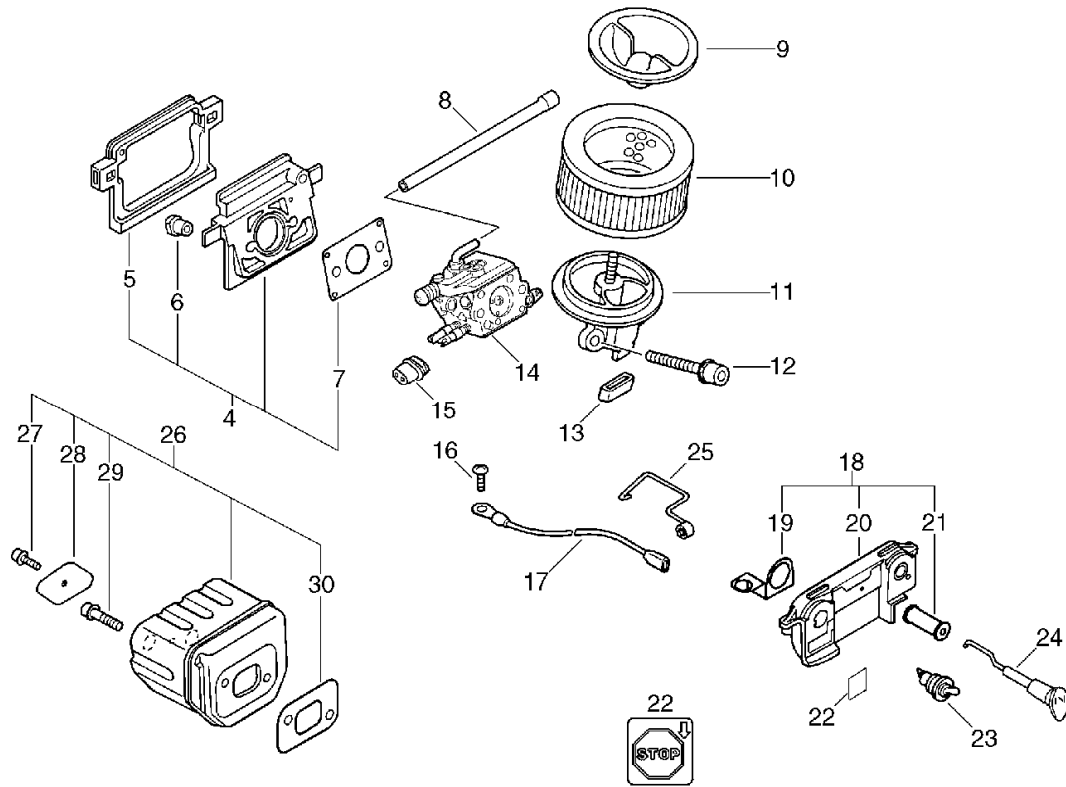
| KEY | LV | PART NUMBER | Q'TY | DESCRIPTION | REMARKS | NOTE1 | NOTE2 |
|-----|----|--------------|------|---------------------|-----------|----------------------------|-------|
| 43 | | X505-001350 | 1 | LABEL,CAUTION | | CHINA, Sus. by X505-002490 | |
| 44 | | 890345-39230 | 1 | LABEL,CAUTION | | | |
| 45 | | 436001-65630 | 1 | CAP ASSY,TANK | | Sus. by 436001-39232 | |
| 45 | | 436001-65631 | 1 | CAP, OIL | | Sus. by 436001-39232 | |
| 45 | | 436001-39232 | 1 | CAP, OIL | | | |
| 46 | + | 900725-02025 | 1 | O-RING | JASO 2025 | Sus. by 900721-00025 | |
| 46 | + | 900721-00025 | 1 | O-RING 25 | G-25 | | |
| 47 | + | 131051-19830 | 1 | LINK | 60L | Sus. by A365-000050 | |
| 47 | + | A365-000050 | 1 | CONNECTOR,CAP | | | |
| 48 | | 433045-38330 | 1 | PLUG | | Sus. by 433045-38332 | |
| 48 | | 433045-38331 | 1 | COVER | | Sus. by 433045-38332 | |
| 48 | | 433045-38332 | 1 | COVER | | | |
| 53 | | 101100-21360 | 1 | RELEASE ASSY, COMP. | | | |
| 54 | + | 101113-37530 | 1 | SPRING | | | |
| 55 | + | 101119-37530 | 1 | CLIP | | | |
| 56 | + | 159025-37530 | 1 | GASKET | | | |
| 57 | | V150-001740 | 1 | PLATE,EYE | | Sr/Nr 36015011 and after | |

1. Cylinder, Crankcase, Piston



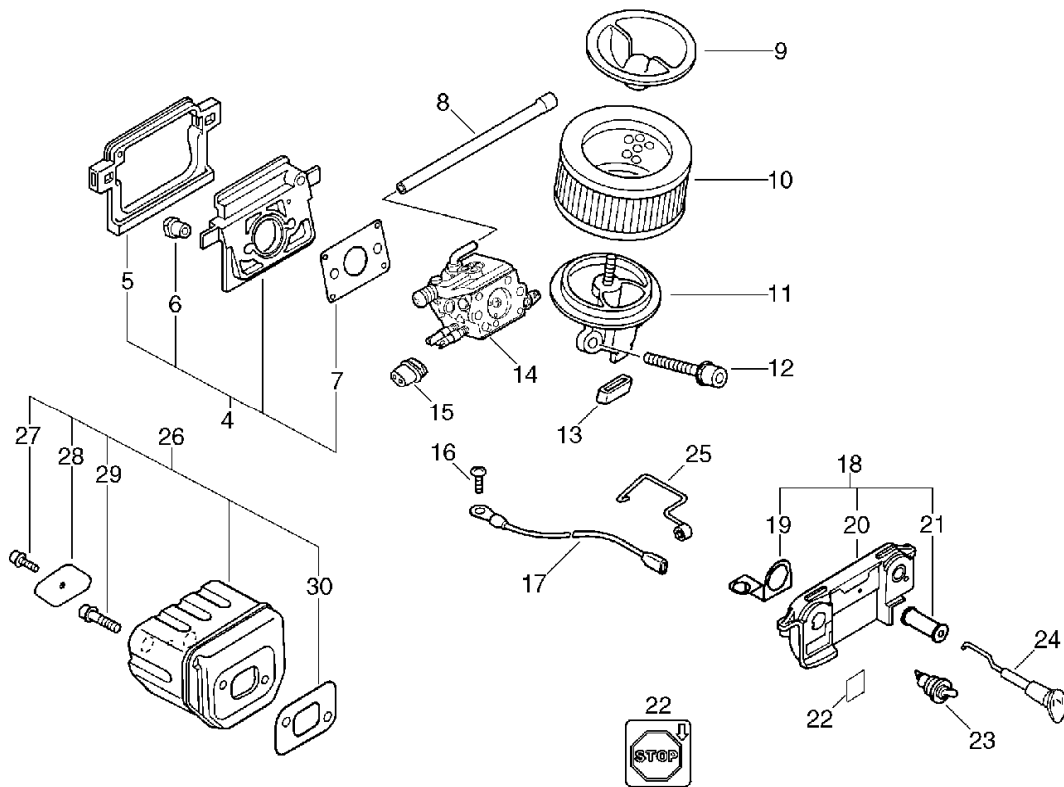
| KEY | LV | PART NUMBER | Q'TY | DESCRIPTION | REMARKS | NOTE1 | NOTE2 |
|-----|----|-------------|------|---------------|---------|-------|-------|
| 60 | | X505-001340 | 1 | LABEL,CAUTION | | CHINA | |

2. Air Cleaner, Muffler



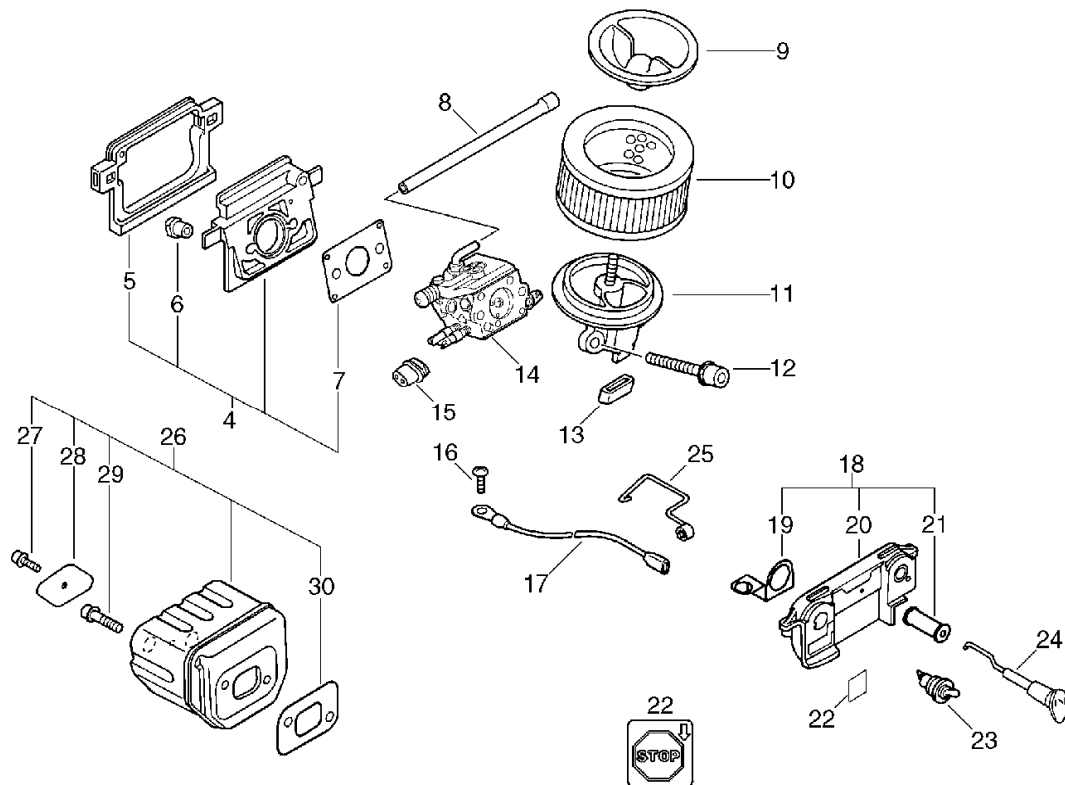
| KEY | LV | PART NUMBER | Q'TY | DESCRIPTION | REMARKS | NOTE1 | NOTE2 |
|-----|----|--------------|------|----------------------|-----------|---------------------------|-------|
| 4 | | 130000-38330 | 1 | INSULATOR KIT | | Sus. by 130000-38331 | |
| 4 | | 130000-38331 | 1 | INSULATOR ASY,INTAKE | | | |
| 5 | + | 130366-38330 | 1 | CUSHION | | Sus. by V420-001130 | |
| 5 | + | V420-001130 | 1 | CUSHION | | | |
| 6 | + | 130020-33330 | 2 | NUT | | | |
| 7 | + | 130010-38330 | 1 | GASKET, INTAKE | | | |
| 8 | | 130110-38330 | 1 | PIPE, IMPULSE | 3*5*110 | | |
| 9 | | 130405-38331 | 1 | BRACKET, AIR CLEANER | | Sus. by 130405-38332 | |
| 10 | | 130310-38330 | 1 | FILTER, AIR | | Sus. by 130310-38331 | |
| 10 | | 130310-38331 | 1 | FILTER, AIR | | | |
| 11 | | A204-000000 | 1 | ELBOW,CARBURETOR | | Sus. by A204-000002 | |
| 11 | | A204-000001 | 1 | ELBOW,CARBURETOR | | Sus. by A204-000002 | |
| 11 | | A204-000002 | 1 | ELBOW,CARBURETOR | | Sus. by A204-000003 | |
| 11 | | A204-000003 | 1 | ELBOW,CARBURETOR | | CHINA Sus. by A204-000004 | |
| 11 | | A204-000004 | 1 | ELBOW,CARBURETOR | | CHINA | |
| 12 | | 900162-05050 | 2 | BOLT, H.S. 5*50 | 5*50 W,SW | | |
| 13 | | 130430-38330 | 1 | CUSHION | | | |

2. Air Cleaner, Muffler



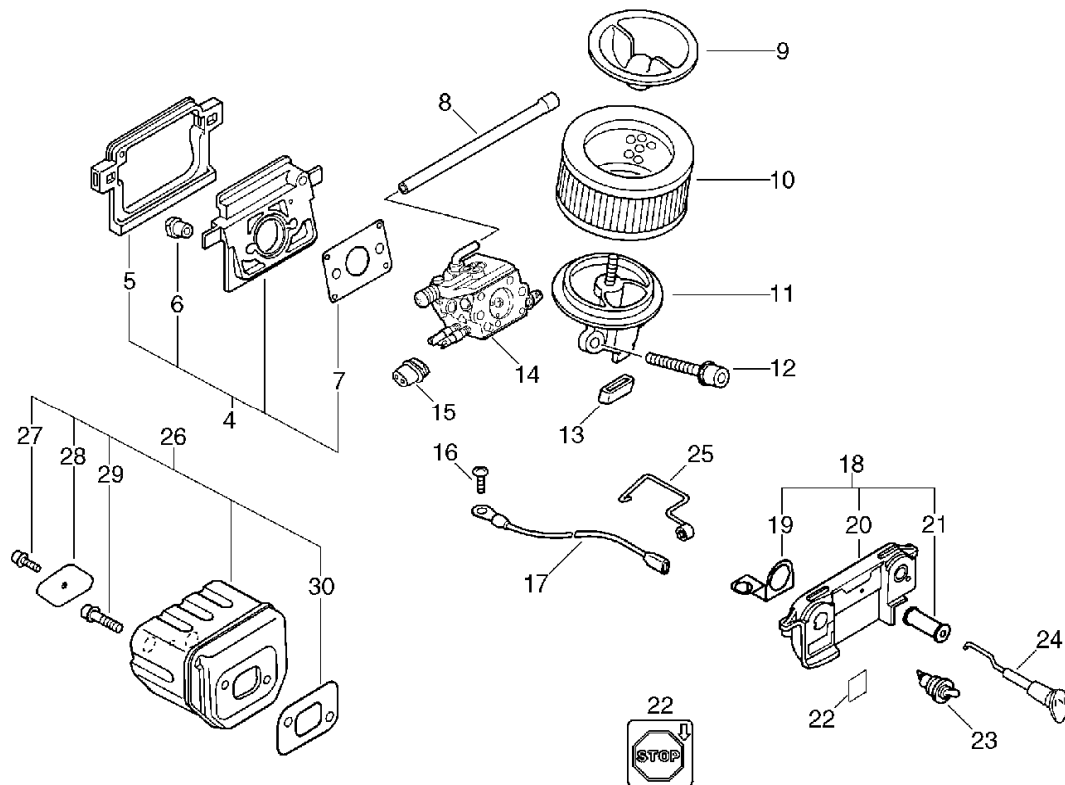
| KEY | LV | PART NUMBER | Q'TY | DESCRIPTION | REMARKS | NOTE1 | NOTE2 |
|-----|----|--------------|------|----------------------|---------------------|----------------------------------|-------|
| 14 | | A021-000100 | 1 | CARBURETOR,DIAPHRAGM | WT-575 W/A CHOKE | Sr/Nr 010100 and before | |
| 14 | | A021-000560 | 1 | CARBURETOR,DIAPHRAGM | | Sus. by A021- 000561 | |
| 14 | | A021-000561 | 1 | CARBURETOR,DIAPHRAGM | C1Q-K64A | Sr/Nr 010101 to 017776 | |
| 14 | | A021-001000 | 1 | CARBURETOR,DIAPHRAGM | C1Q-K79 | Sr/Nr 36001001 and after | |
| 15 | | 129010-33330 | 1 | GROMMET | | Sr/Nr 017776 and before,CHINA | |
| 16 | | 900220-04006 | 1 | SCREW 4*6 | 4*6 | | |
| 17 | | 162010-38330 | 1 | LEAD, GROUND | | Sus. by 162010- 38332 | |
| 17 | | 162010-38331 | 1 | LEAD, GROUND | | Sus. by 162010- 38332 | |
| 17 | | 162010-38332 | 1 | LEAD, GROUND | | | |
| 18 | | 163804-38930 | 1 | BRACKET, SWITCH | | Sus. by 163804- 38935 | |
| 18 | | 163804-38931 | 1 | BRACKET, SWITCH | | Sus. by 163804- 38935 | |
| 18 | | 163804-38932 | 1 | BRACKET, SWITCH | | Sus. by 163804- 38935 | |
| 18 | | 163804-38933 | 1 | BRACKET, SWITCH | | Sus. by 163804- 38935 | |

2. Air Cleaner, Muffler



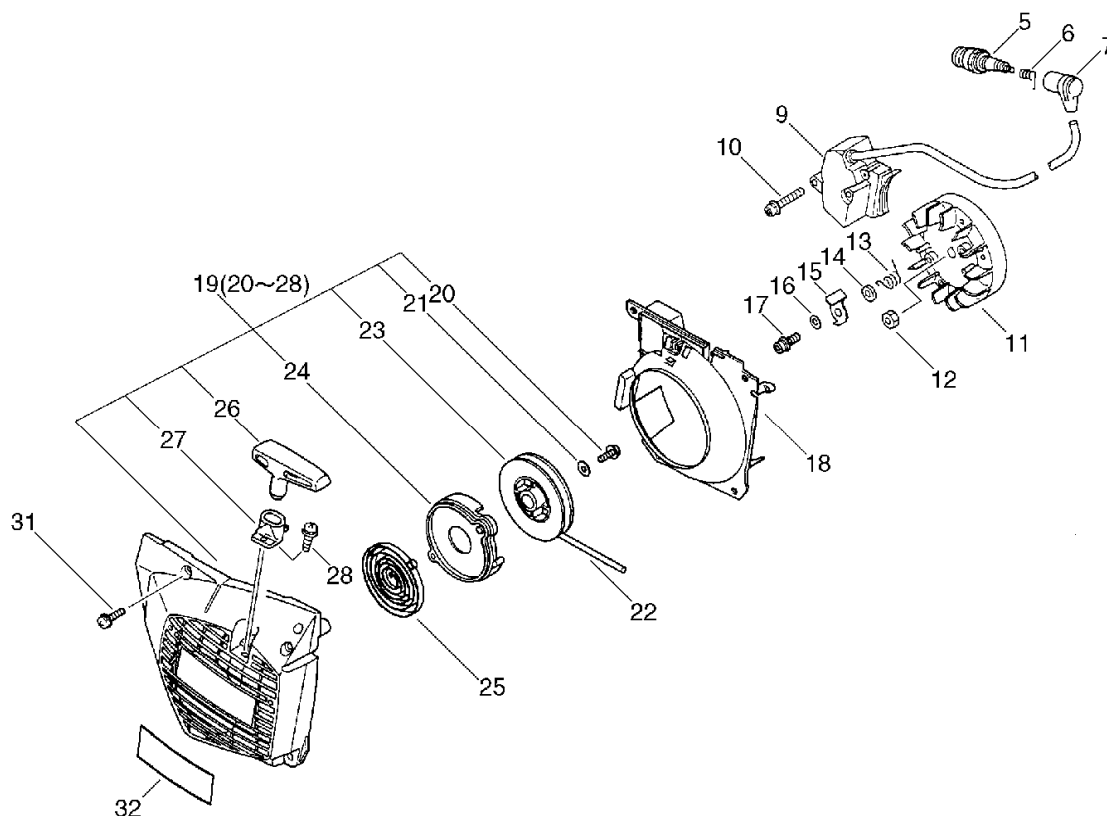
| KEY | LV | PART NUMBER | Q'TY | DESCRIPTION | REMARKS | NOTE1 | NOTE2 |
|-----|----|--------------|------|------------------|---------|----------------------|-------|
| 18 | | 163804-38934 | 1 | BRACKET, SWITCH | | Sus. by 163804-38935 | |
| 18 | | 163804-38935 | 1 | BRACKET, SWITCH | | | |
| 19 | + | 163413-38930 | 1 | PLATE, SWITCH | | | |
| 20 | + | 163810-38931 | 1 | BRACKET, SWITCH | | Sus. by 163810-38933 | |
| 20 | + | 163810-38932 | 1 | BRACKET, SWITCH | | Sus. by 163810-38933 | |
| 20 | + | 163810-38933 | 1 | BRACKET, SWITCH | | | |
| 21 | + | 178810-14531 | 1 | GROMMET, CHOKE | | Sus. by 178810-14534 | |
| 21 | + | 178810-14532 | 1 | GROMMET | | Sus. by 178810-14534 | |
| 21 | + | 178810-14533 | 1 | GROMMET | | Sus. by 178810-14534 | |
| 21 | + | 178810-14534 | 1 | GROMMET | | | |
| 22 | | 890157-39130 | 1 | LABEL, SWITCH | | | |
| 23 | | 163400-38330 | 1 | SWITCH, IGNITION | | | |
| 24 | | A241-000000 | 1 | KNOB, CHOKE | | Sus. by A241-000100 | |
| 24 | | 178510-38331 | 1 | ROD, CHOKE | | Sus. by A241-000100 | |
| 24 | | A241-000100 | 1 | KNOB, CHOKE | | Sus. by A241-000101 | |
| 25 | | C454-000030 | 1 | ROD, THROTTLE | | Sus. by C454-000041 | |

2. Air Cleaner, Muffler



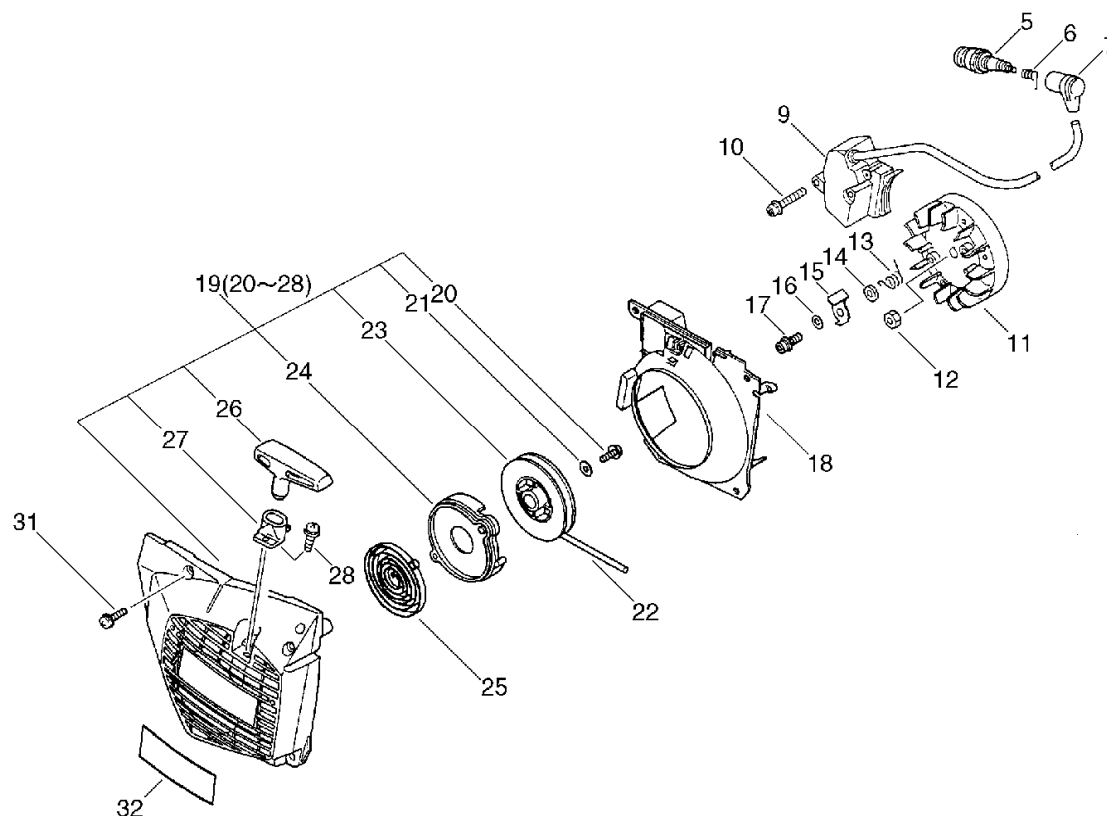
| KEY | LV | PART NUMBER | Q'TY | DESCRIPTION | REMARKS | NOTE1 | NOTE2 |
|-----|----|--------------|------|-----------------|---------|----------------------|-------|
| 25 | | C454-000040 | 1 | ROD,THROTTLE | | Sus. by C454-000041 | |
| 25 | | C454-000041 | 1 | ROD,THROTTLE | | | |
| 26 | | 145600-38330 | 1 | MUFFLER ASSY | | Sus. by P021-008610 | |
| 26 | | 145600-38331 | 1 | MUFFLER ASY | | Sus. by P021-008610 | |
| 26 | | 145600-38332 | 1 | MUFFLER ASY | | Sus. by P021-008610 | |
| 26 | | 145600-38333 | 1 | MUFFLER ASY | | Sus. by P021-008610 | |
| 26 | | P021-008610 | 1 | MUFFLER ASY | | | |
| 27 | + | 900105-04006 | 1 | BOLT, H.S. 4*6 | 4*6 | | |
| 28 | + | 145711-35430 | 1 | PLATE (BL) | | Sus. by 145711-60631 | |
| 28 | + | 145711-60631 | 1 | STAY, MUFFLER | | | |
| 29 | + | 900105-05014 | 2 | BOLT, H.S. 5*14 | 5*14 | | |
| 30 | + | 145510-35431 | 1 | GASKET, MUFFLER | | | |

3. Starter, Magneto



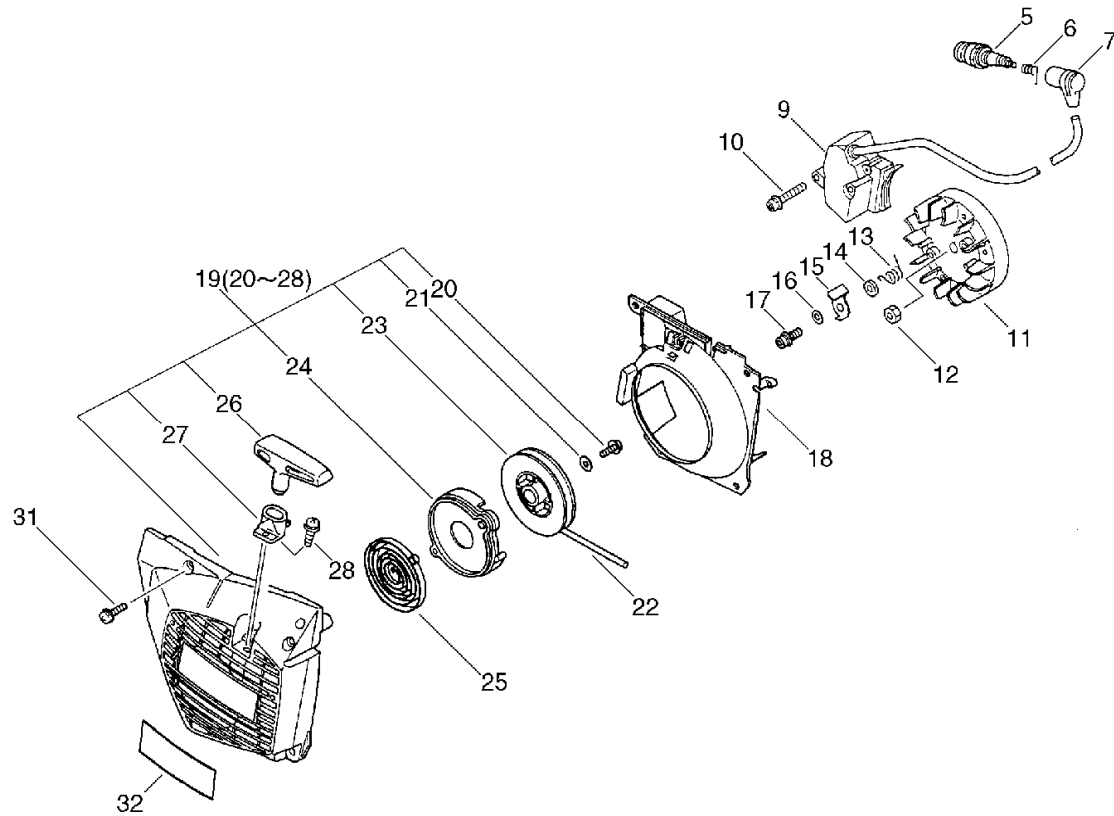
| KEY | LV | PART NUMBER | Q'TY | DESCRIPTION | REMARKS | NOTE1 | NOTE2 |
|-----|----|--------------|------|----------------------|---------|--|-------|
| 5 | | 159017-31730 | 1 | PLUG, SPARK RCJ-6Y | RCJ-6Y | | |
| 6 | | 159011-03432 | 1 | COIL, SPARK PLUG | | Sr/Nr 36007690 and before | |
| 6 | | A426-000010 | 1 | TERMINAL, SPARK PLUG | | Sr/Nr 36007691 and after | |
| 6 | | 159011-03432 | 1 | COIL, SPARK PLUG | | Sr/Nr 21001050 and before, CHINA | |
| 6 | | A426-000010 | 1 | TERMINAL, SPARK PLUG | | Sr/Nr 21001051 and after, CHINA | |
| 7 | | 159012-01620 | 1 | CAP, SPARK PLUG | | Sr/Nr 36007690 and before | |
| 7 | | A427-000012 | 1 | CAP, SPARK PLUG | | Sr/Nr 36007691 and after | |
| 7 | | 159012-01620 | 1 | CAP, SPARK PLUG | | Sr/Nr 21001050 and before, CHINA | |
| 7 | | A427-000012 | 1 | CAP, SPARK PLUG | | Sr/Nr 21001051 and after, CHINA, Sus. by A427-000013 | |
| 9 | | A411-000030 | 1 | COIL, IGNITION | | Sus. by A411-000031 | |
| 9 | | A411-000031 | 1 | COIL, IGNITION | | | |

3. Starter, Magneto



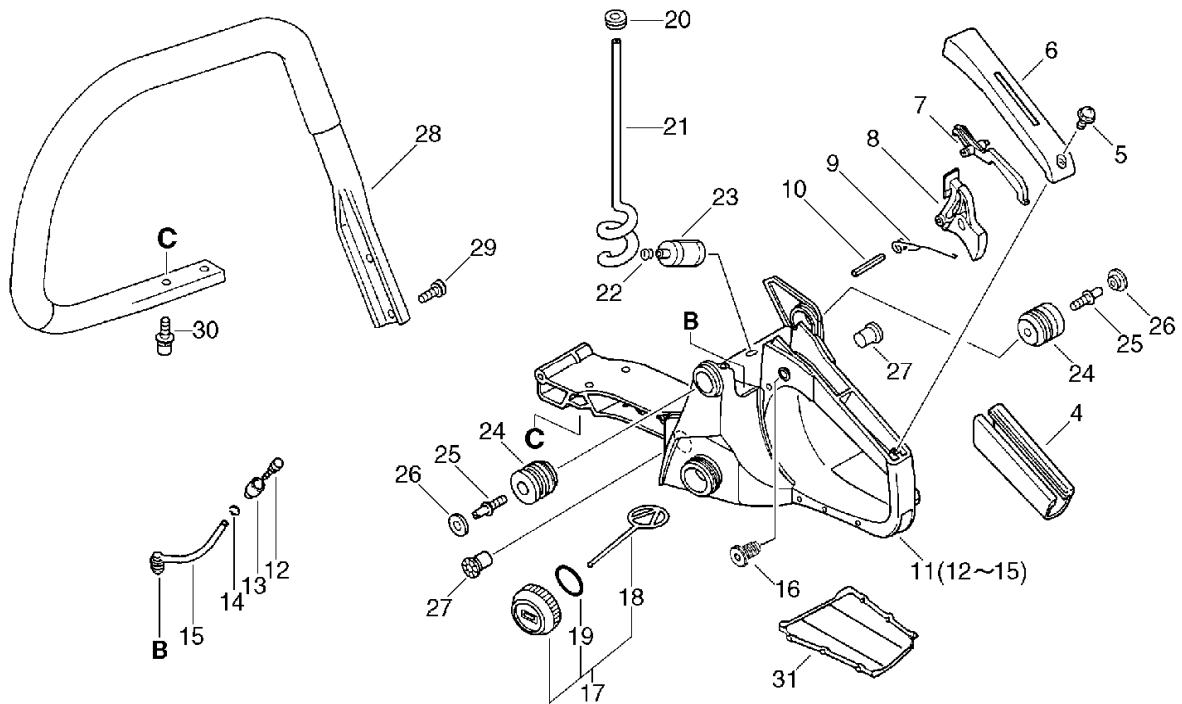
| KEY | LV | PART NUMBER | Q'TY | DESCRIPTION | REMARKS | NOTE1 | NOTE2 |
|-----|----|--------------|------|-----------------|-------------|----------------------|-------|
| 10 | | 900162-04030 | 2 | BOLT, H.S. 4*30 | 4*30 W.SW | | |
| 11 | | A409-000030 | 1 | ROTOR,MAGNETO | | | |
| 12 | | 900515-00008 | 1 | NUT, FLANGE 8 | 8 | | |
| 13 | | 177234-35430 | 2 | SPRING, RETURN | | | |
| 14 | | 177247-04630 | 2 | SPACER, RATCHET | 5.2*8*2.1 | | |
| 15 | | 177218-19830 | 2 | PAWL, STARTER | | | |
| 16 | | 900603-00005 | 2 | WASHER 5 | 5.5*12*0.8 | | |
| 17 | | 900162-05014 | 2 | BOLT, H.S. 5*14 | 5*14 W,SW | Sus. by V203-000090 | |
| 17 | | V203-000090 | 2 | BOLT,5 | M5*14 | | |
| 18 | | A172-000060 | 1 | COVER,FAN | | Sus. by A172-000062 | |
| 18 | | A172-000061 | 1 | COVER,FAN | | Sus. by A172-000062 | |
| 18 | | A172-000062 | 1 | COVER,FAN | | | |
| 19 | | 177200-38333 | 1 | STARTER ASY | | Sus. by 177200-38335 | |
| 19 | | 177200-38334 | 1 | STARTER ASY | | Sus. by 177200-38335 | |
| 19 | | 177200-38335 | 1 | STARTER ASY | | | |
| 20 | + | 900238-05012 | 1 | SCREW 5*12 | 5*12 | | |
| 21 | + | 177214-02830 | 1 | WASHER | 5.2*16*1.0T | | |
| 22 | + | 177226-38330 | 1 | ROPE, STARTER | 3.5*1000 | | |
| 23 | + | 177215-38330 | 1 | DRUM, STARTER | | | |
| 24 | + | 177221-38330 | 1 | PLATE, STARTER | | | |
| 25 | + | 177220-35430 | 1 | SPRING, REWIND | | | |

3. Starter, Magneto



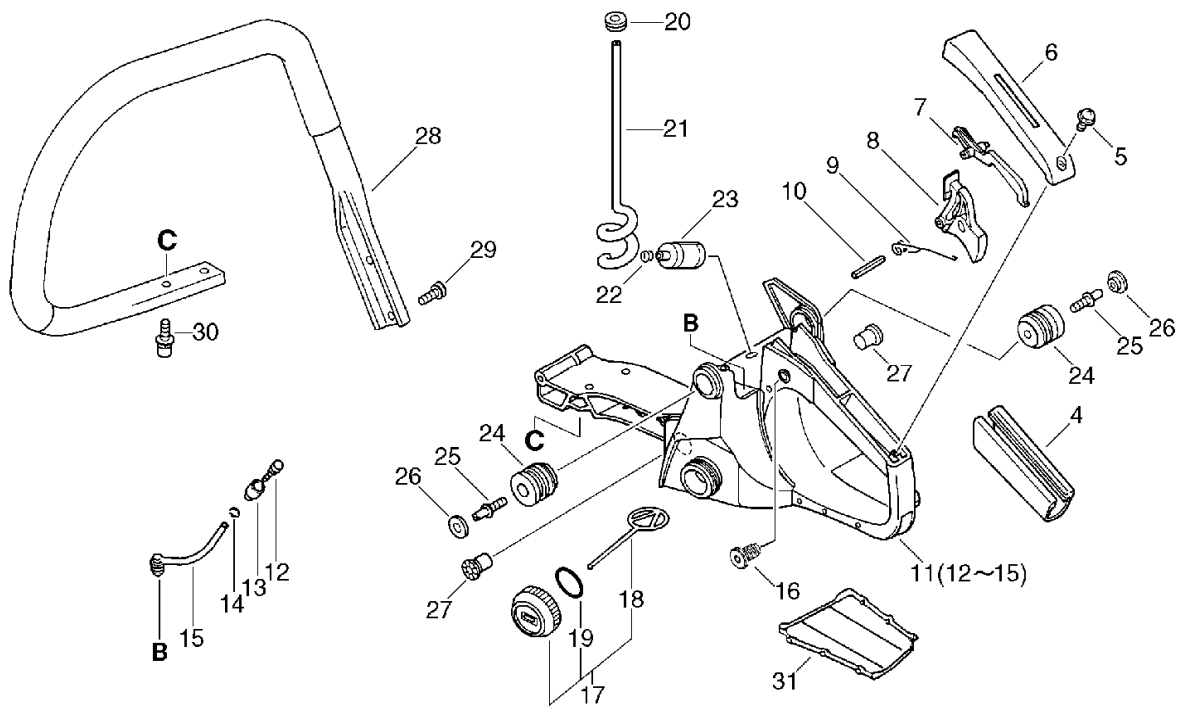
| KEY | LV | PART NUMBER | Q'TY | DESCRIPTION | REMARKS | NOTE1 | NOTE2 |
|-----|----|--------------|------|--------------------|----------|-------|-------|
| 26 | + | 177228-35430 | 1 | GRIP, STARTER (BL) | | | |
| 27 | + | 177227-37930 | 1 | GUIDE, ROPE | | | |
| 28 | + | 900296-03014 | 1 | SCREW 3*14 | 3*14 SUS | | |
| 31 | | 900238-05018 | 4 | SCREW 5*18 | 5*18 | | |
| 32 | | X502-000010 | 1 | LABEL,ECHO | | | |

4. Handle



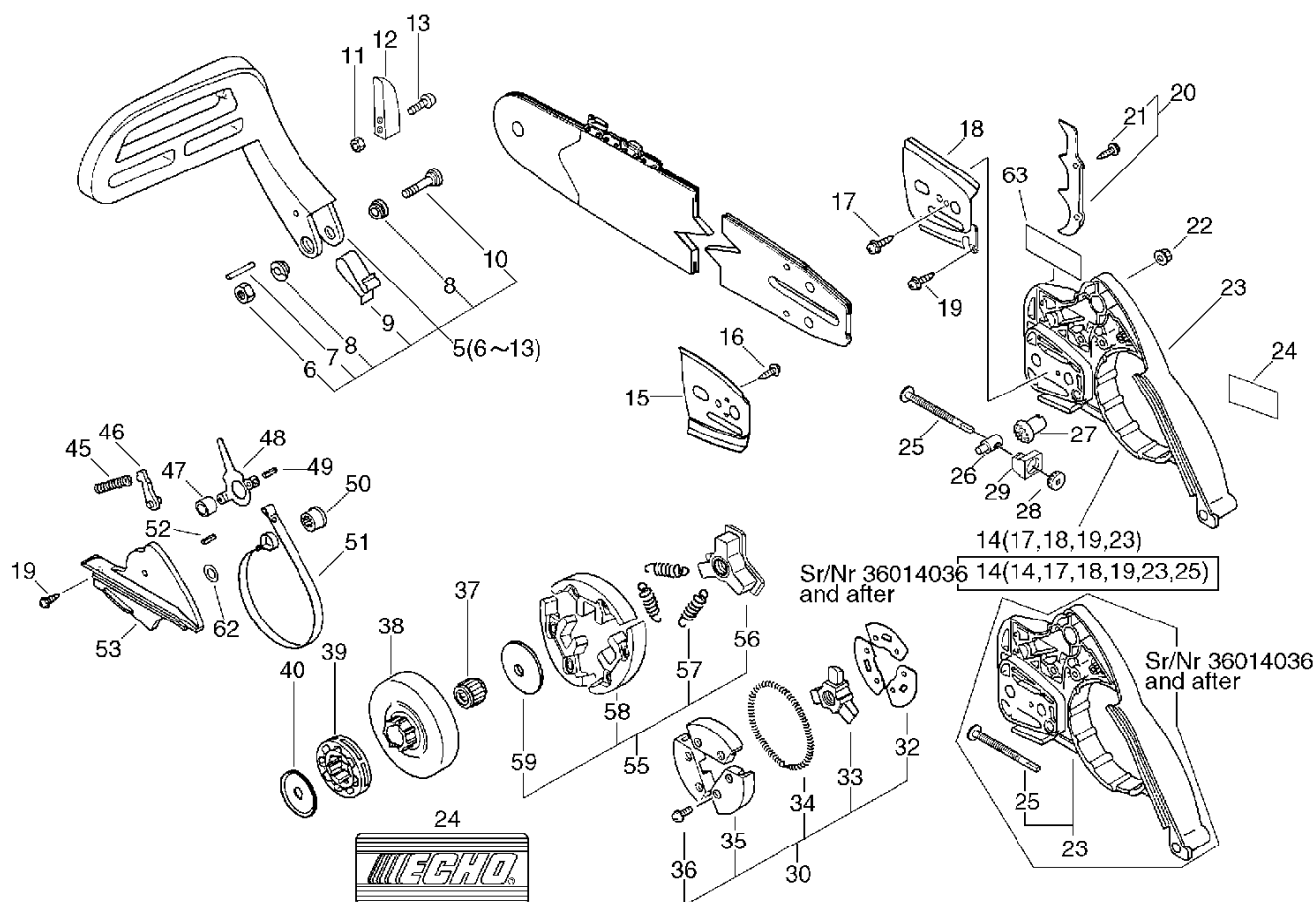
| KEY | LV | PART NUMBER | Q'TY | DESCRIPTION | REMARKS | NOTE1 | NOTE2 |
|-----|----|--------------|------|---------------------|----------|----------------------|-------|
| 4 | | 351111-19830 | 1 | GRIP, HANDLE | | | |
| 5 | | 900253-04014 | 1 | SCREW 4*14 | 4*14 | | |
| 6 | | 351155-35430 | 1 | COVER, HANDLE (BL) | | | |
| 7 | | 178090-37930 | 1 | LOCKOUT, T. CONTROL | | | |
| 8 | | C450-000000 | 1 | TRIGGER, THROTTLE | | | |
| 9 | | 178043-35430 | 1 | SPRING, THR.RETURN | | Sus. by V452-000260 | |
| 10 | | 900345-40030 | 1 | PIN, SPRING 4*30SUS | 4*30SUS | | |
| 11 | | 351101-38332 | 1 | HANDLE ASY, REAR | | Sus. by P021-011470 | |
| 11 | | P021-011470 | 1 | HANDLE ASY, REAR | | Sus. by P021-011471 | |
| 11 | | P021-011471 | 1 | HANDLE ASY, REAR | | Sus. by P021-011472 | |
| 12 | + | 131300-56430 | 1 | VALVE, CHECK | | | |
| 13 | + | 131328-40630 | 1 | COVER, VENT | | | |
| 14 | + | 132013-26630 | 1 | CLIP | 6.5MM | | |
| 15 | + | 132012-39330 | 1 | PIPE, W/GROMMET | L105 NBR | Sus. by 132012-39331 | |
| 16 | | V162-000040 | 1 | PLUG | | | |
| 17 | | 131004-37931 | 1 | CAP ASSY, FUEL TANK | | Sus. by 131004-37932 | |
| 17 | | 131004-37932 | 1 | CAP ASY, FUEL | | | |
| 18 | + | 131051-19830 | 1 | LINK | 60L | Sus. by A365-000050 | |
| 18 | + | A365-000050 | 1 | CONNECTOR,CAP | | | |

4. Handle



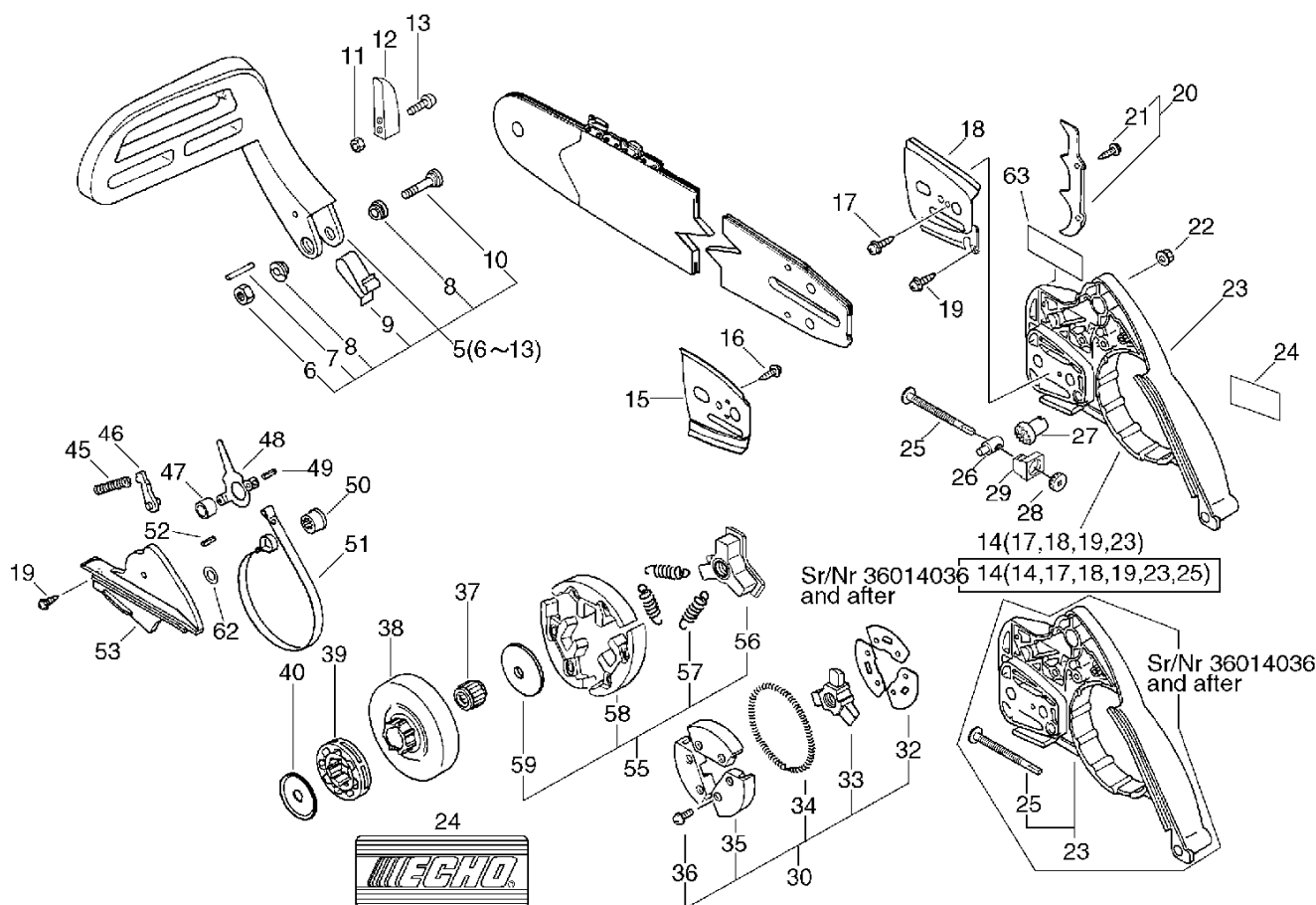
| KEY | LV | PART NUMBER | Q'TY | DESCRIPTION | REMARKS | NOTE1 | NOTE2 |
|-----|----|--------------|------|-----------------|---------|----------------------|-------|
| 19 | + | 900720-00022 | 1 | O-RING 22 | P-22 | | |
| 20 | | 132115-04920 | 1 | GROMMET | | | |
| 21 | | 132010-38330 | 1 | PIPE, FUEL | 3*6 | Sus. by 132010-38331 | |
| 21 | | 132010-38331 | 1 | PIPE | 3*6*165 | | |
| 22 | | 132013-26630 | 1 | CLIP | 6.5MM | | |
| 23 | | 131205-19830 | 1 | STRAINER, FUEL | | Sus. by 131205-19831 | |
| 24 | | 100921-38330 | 2 | CUSHION | | | |
| 25 | | 100915-32530 | 2 | BOLT | | | |
| 26 | | 100918-38330 | 2 | CAP, CUSHION | | | |
| 27 | | 100910-38330 | 2 | CUSHION | | | |
| 28 | | C400-000010 | 1 | HANDLE, FRONT | | | |
| 29 | | 91145-05020 | 2 | BOLT HS TAPPING | 5*20 | | |
| 30 | | 91145-05016 | 2 | BOLT HS TAPPING | 5*16 | | |
| 31 | | 351155-38430 | 1 | COVER, HANDLE | | | |

5. Clutch, Sprocket



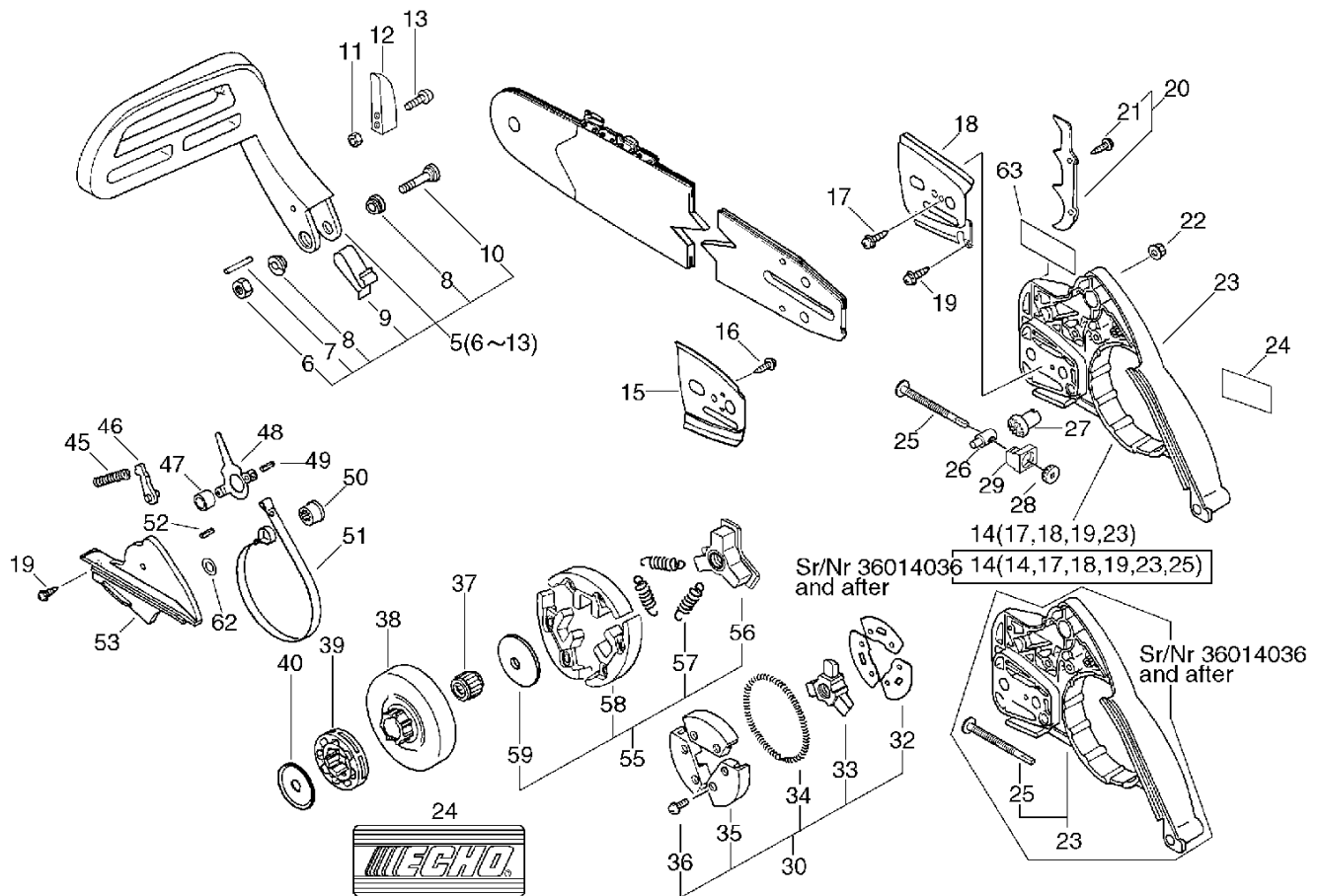
| KEY | LV | PART NUMBER | Q'TY | DESCRIPTION | REMARKS | NOTE1 | NOTE2 |
|-----|----|--------------|------|-----------------------|---------|---------------------------|-------|
| 5 | | 433201-39331 | 1 | LEVER ASSY, BRAKE | | Sus. by 433201-39332 | |
| 5 | | 433201-39332 | 1 | LEVER ASY, BRAKE | | | |
| 6 | + | 900560-00005 | 1 | NUT, LOCK 5 | 5 | Sus. by 900562-50005 | |
| 6 | + | 900562-50005 | 1 | LOCKNUT 5 | 5 | | |
| 7 | + | 900330-30240 | 1 | PIN 3*24 | 3*23.8 | | |
| 8 | + | 433167-39130 | 2 | SPACER | | | |
| 9 | + | 433114-38331 | 1 | SPRING | | | |
| 10 | + | 900209-05030 | 1 | SCREW, 5*30 | 5*30 | Sus. by 91318-05032 | |
| 10 | + | 91318-05032 | 1 | SCREW | 5*32 | | |
| 11 | + | 900500-00004 | 2 | NUT 4 | 4 | | |
| 12 | + | 433171-39330 | 1 | WEIGHT, BRAKE | | | |
| 13 | + | 900238-04018 | 2 | SCREW 4*18 | 4*18 | | |
| 23 | | 433005-38932 | 1 | GUARD, SPROCKET | | Sus. by P021-001290 | |
| 14 | | P021-001290 | 1 | GUARD, SPROCKET SET | | Sr/Nr 36014035 and before | |
| 14 | | P021-001291 | 1 | GUARD, SPROCKET SET | | Sr/Nr 36014036 and after | |
| 17 | + | 900220-03006 | 1 | SCREW 3*6 | 3*6 | | |
| 18 | + | C305-000000 | 1 | PLATE, SPROCKET GUARD | | Sus. by C305-000001 | |
| 18 | + | C305-000001 | 1 | PLATE, SPROCKET GUARD | | | |
| 19 | + | 900253-04010 | 1 | SCREW 4*10 | 4*10 | | |

5. Clutch, Sprocket



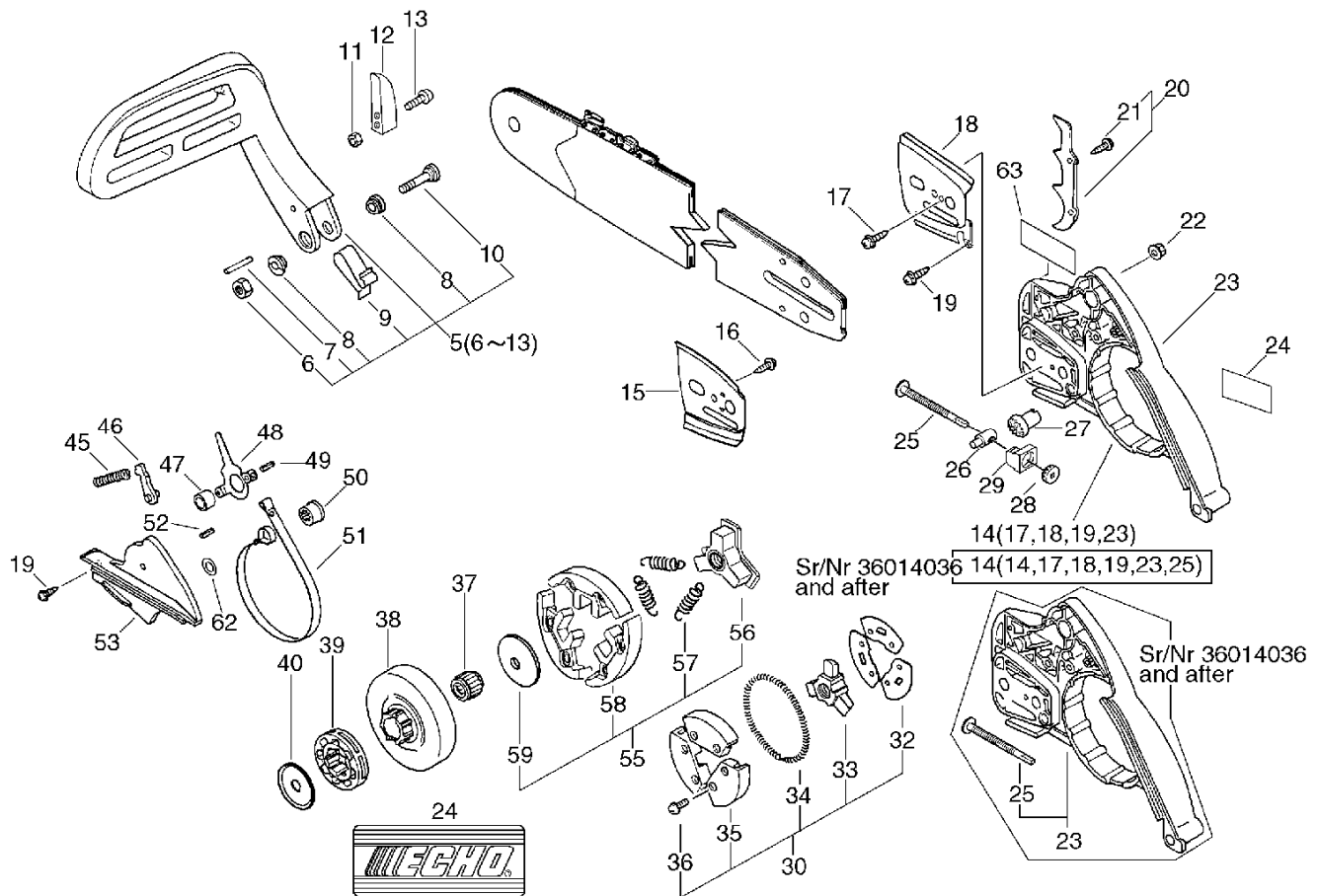
| KEY | LV | PART NUMBER | Q'TY | DESCRIPTION | REMARKS | NOTE1 | NOTE2 |
|-----|----|--------------|------|----------------------|---------|---------------------------|---------------------|
| 23 | + | 433005-38933 | 1 | GUARD, SPROCKET | | Sr/Nr 003151 to 36014035 | |
| 23 | + | P021-010160 | 1 | GUARD, SPROCKET KIT | | Sr/Nr 36014036 and after | Sus. by P021-010161 |
| 25 | ++ | V203-000110 | 1 | BOLT,5 | | Sr/Nr 36014036 and after | |
| 15 | | 433013-37330 | 1 | PLATE, GUIDE | | Sus. by 433013-35431 | |
| 15 | | 433013-35431 | 1 | PLATE, GUIDE (INNER) | | Sus. by 433013-35432 | |
| 16 | | 900220-04006 | 1 | SCREW 4*6 | 4*6 | | |
| 19 | | 900253-04010 | 2 | SCREW 4*10 | 4*10 | | |
| 20 | | 880200-38330 | 1 | BUMPER, SPIKED KIT | | | |
| 21 | + | 900105-05012 | 2 | BOLT, H.S. 5*12 | 5*12 | | |
| 22 | | 433019-12330 | 2 | NUT, FLANGE 8 | M-8 | | |
| 24 | | X502-000000 | 1 | LABEL,ECHO | | | |
| 25 | | V203-000040 | 1 | BOLT,5 | | Sus. by V203-000041 | |
| 25 | | V203-000041 | 1 | BOLT,5 | | Sr/Nr 36014035 and before | |
| 26 | | 433014-60930 | 1 | TENSIONER, CHAIN | | Sus. by C309-000030 | |
| 26 | | C309-000030 | 1 | TENSIONER,CHAIN | | | |

5. Clutch, Sprocket



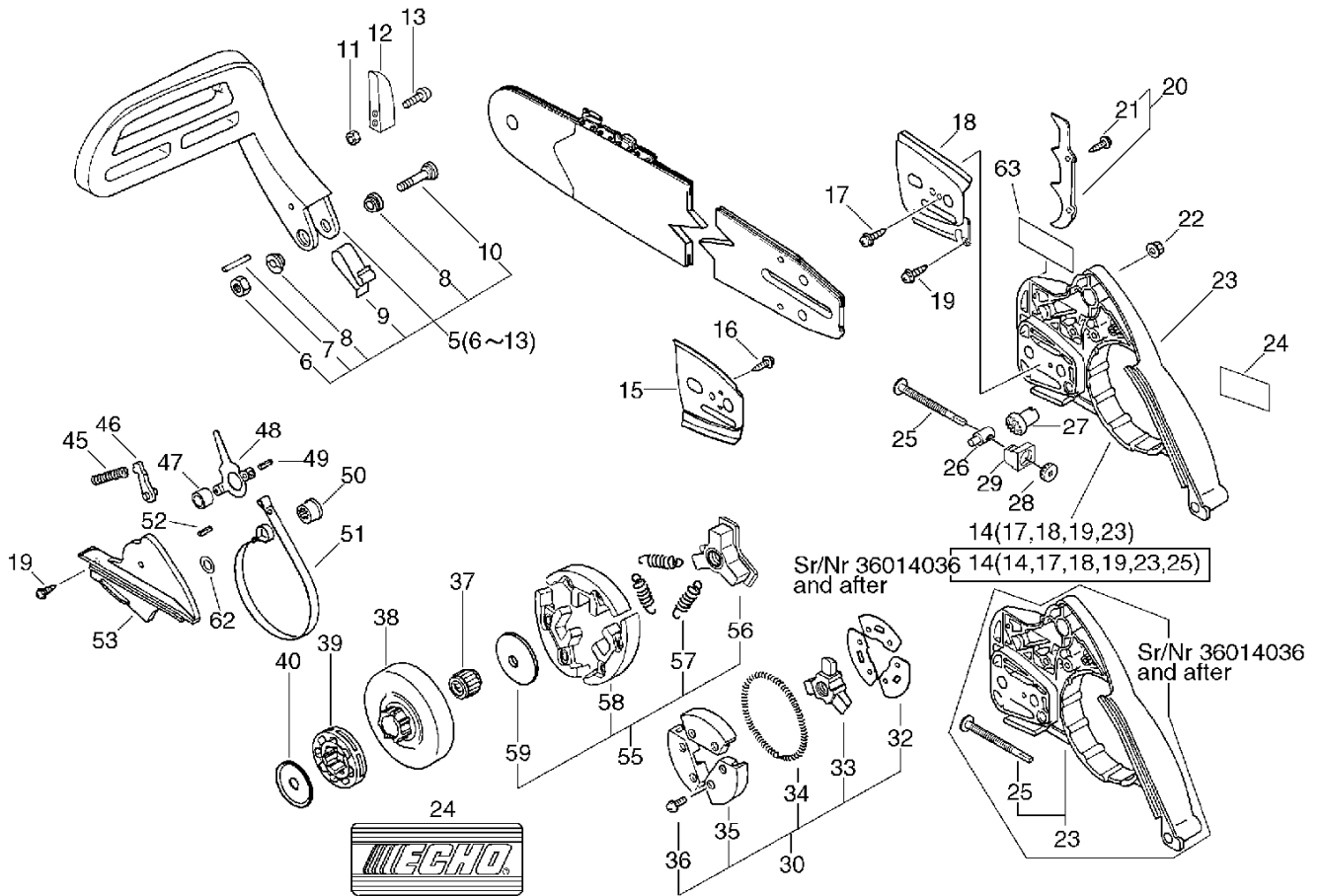
| KEY | LV | PART NUMBER | Q'TY | DESCRIPTION | REMARKS | NOTE1 | NOTE2 |
|-----|----|--------------|------|-------------------|--------------|-------------------------|-------|
| 27 | | V651-000000 | 1 | GEAR,BEVEL | | Sus. by V651-000001 | |
| 27 | | V651-000001 | 1 | GEAR,BEVEL | | | |
| 28 | | V651-000010 | 1 | GEAR,BEVEL | | Sus. by V651-000011 | |
| 28 | | V651-000011 | 1 | GEAR,BEVEL | | | |
| 29 | | V355-000030 | 1 | COLLAR,8 | | Sus. by V355-000270 | |
| 29 | | V355-000270 | 1 | COLLAR,8 | | | |
| 30 | | 175000-37531 | 1 | CLUTCH ASSY | | Sr/Nr 016301 and before | |
| 32 | + | 175019-19830 | 3 | PLATE, CLUTCH | | Sr/Nr 016301 and before | |
| 33 | + | 175016-19830 | 1 | HUB, CLUTCH | | Sr/Nr 016301 and before | |
| 34 | + | 175018-19830 | 1 | SPRING, CLUTCH | | Sr/Nr 016301 and before | |
| 35 | + | 175002-19830 | 1 | SHOE, CLUTCH | | Sr/Nr 016301 and before | |
| 36 | + | 900105-04006 | 6 | BOLT, H.S. 4*6 | 4*6 | Sr/Nr 016301 and before | |
| 37 | | V557-000000 | 1 | BEARING,NEEDLE 12 | 12*15*10 | Sus. by V557-000010 | |
| 37 | | V557-000010 | 1 | BEARING,NEEDLE 12 | 8Q-K12*15*10 | | |
| 38 | | A556-000020 | 1 | DRUM,CLUTCH | | Sus. by A556-000021 | |

5. Clutch, Sprocket



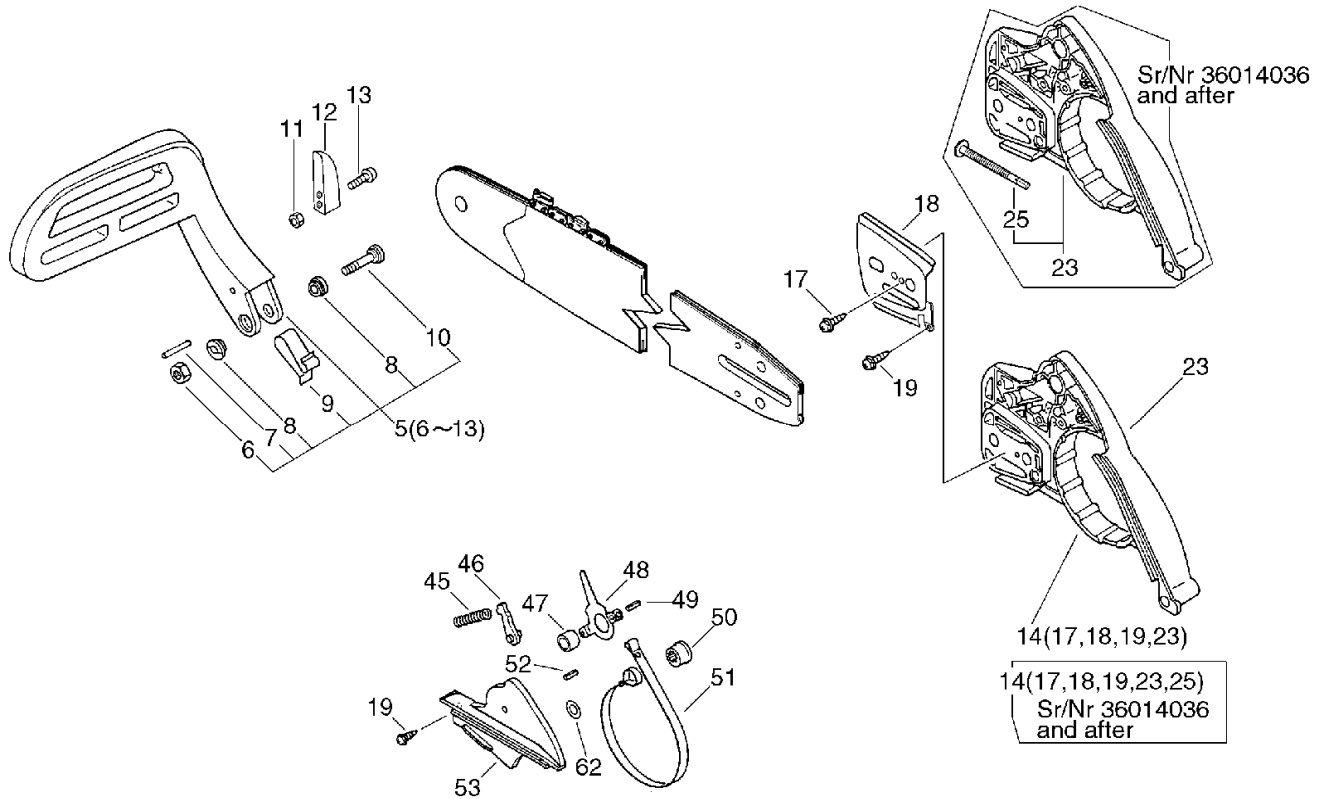
| KEY | LV | PART NUMBER | Q'TY | DESCRIPTION | REMARKS | NOTE1 | NOTE2 |
|-----|----|--------------|------|--------------------|-------------|---|-------|
| 39 | | 175114-12530 | 1 | SPROCKET, RIM .325 | | | |
| 40 | | A551-000000 | 1 | PLATE,CLUTCH | 12*24.5*2.3 | | |
| 45 | | 433122-35430 | 1 | SPRING, BRAKE | | | |
| 46 | | 433209-35430 | 1 | STOPPER, BRAKE | | | |
| 47 | | 433115-38330 | 1 | WASHER 5.2*12*14 | 5.2*12*14 | | |
| 48 | | 433208-35431 | 1 | LEVER, BRAKE | | | |
| 49 | | 900330-40088 | 1 | ROLLER 4*8.8 | 4*8.8 | | |
| 50 | | 433142-35430 | 1 | ADJUSTER, BRAKE | | | |
| 51 | | 433123-35430 | 1 | BAND, BRAKE | | Sus. by C328-000060 | |
| 51 | | C328-000060 | 1 | BAND,BRAKE | | | |
| 52 | | 900342-25012 | 1 | PIN, SPRING 2.5*12 | 2.5*12 | | |
| 53 | | 433310-38330 | 1 | COVER, BRAKE | | | |
| 55 | | P021-007070 | 1 | CLUTCH ASY W/PLATE | | Sr/Nr 016302 and after, Sus. by P021-007071 | |
| 56 | + | A552-000050 | 1 | HUB,CLUTCH | | Sr/Nr 016302 and after, Sus. by A552-000090 | |
| 57 | + | V451-000500 | 3 | SPRING,TENSION | | Sr/Nr 016302 and after | |
| 58 | + | P021-007050 | 1 | CLUTCH SHOE SET | | Sr/Nr 016302 and after | |

5. Clutch, Sprocket



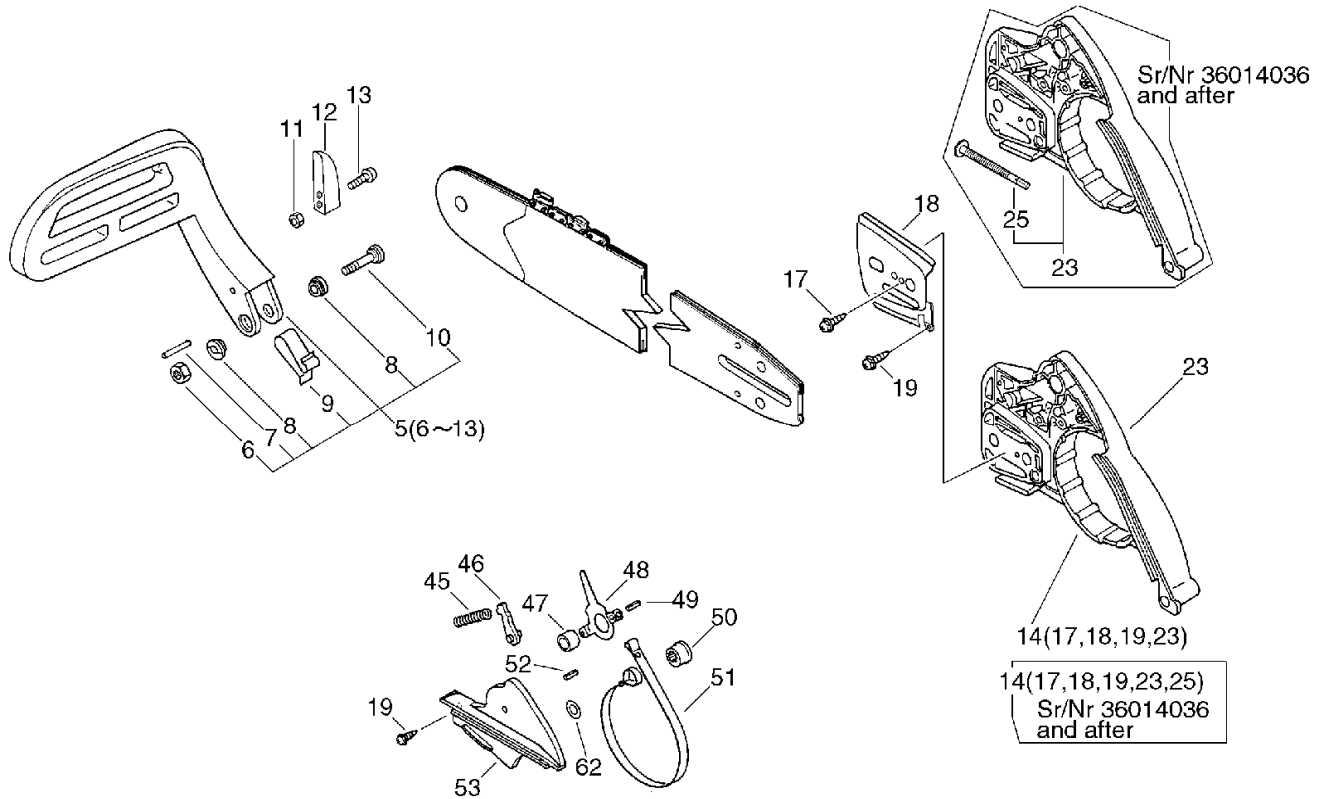
| KEY | LV | PART NUMBER | Q'TY | DESCRIPTION | REMARKS | NOTE1 | NOTE2 |
|-----|----|-------------|------|-------------------|---------|--------------------------|-------|
| 59 | + | A551-000060 | 1 | PLATE,CLUTCH | | Sr/Nr 016302 and after | |
| 62 | | V304-000090 | 1 | WASHER,CIRCULAR 6 | | Sr/Nr 36002911 and after | |
| 63 | | X505-002340 | 1 | LABEL,CAUTION | | CHINA | |

6. Chain Brake Asy



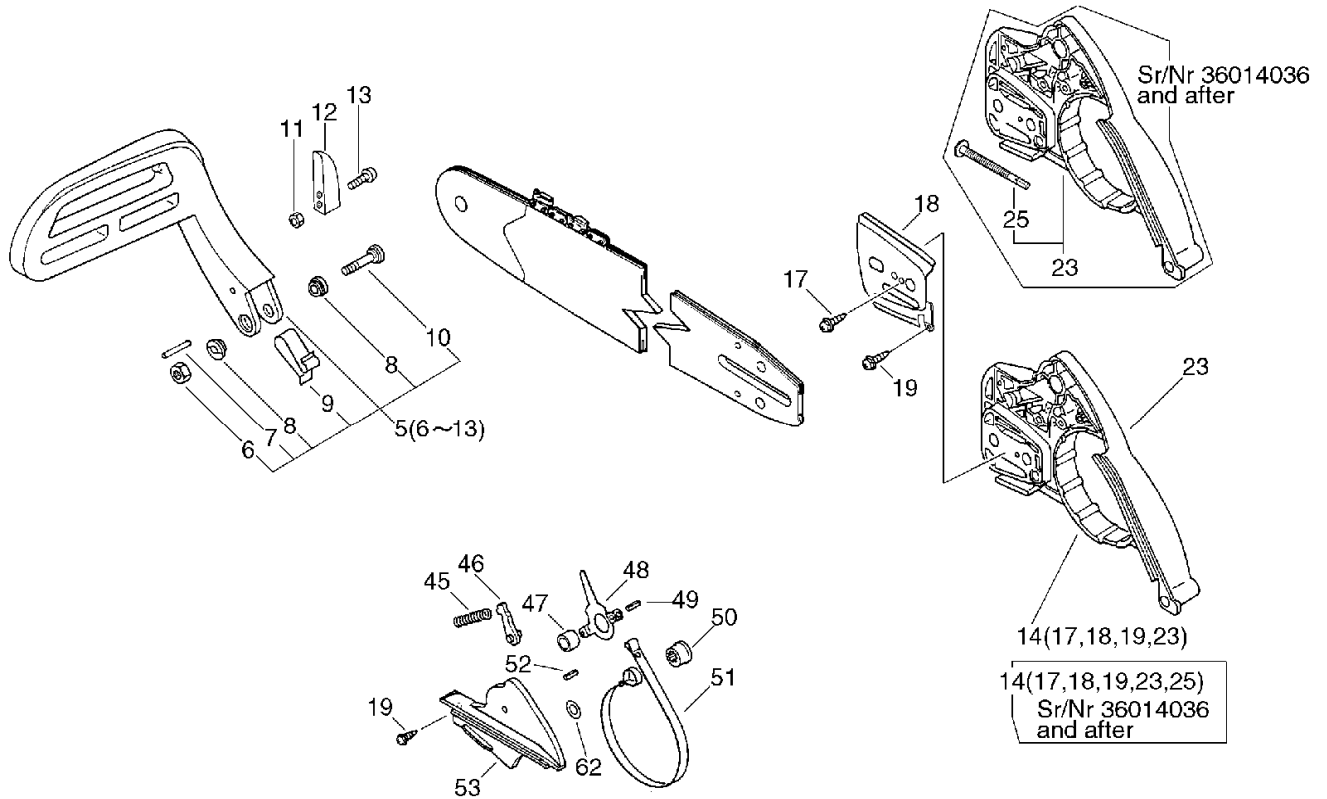
| KEY | LV | PART NUMBER | Q'TY | DESCRIPTION | REMARKS | NOTE1 | NOTE2 |
|-----|----|--------------|------|-------------------|---------|---------------------------|---------------------|
| | | 433100-38932 | 1 | BRAKE ASY, CHAIN | | Sus. by 433100-38936 | |
| | | 433100-38933 | 1 | BRAKE ASY, CHAIN | | Sus. by 433100-38936 | |
| | | 433100-38934 | 1 | BRAKE ASY, CHAIN | | Sus. by 433100-38936 | |
| | | 433100-38935 | 1 | BRAKE ASY, CHAIN | | Sus. by 433100-38936 | |
| | | 433100-38936 | 1 | BRAKE ASY, CHAIN | | Sr/Nr 36014035 and before | |
| | | 433100-38937 | 1 | BRAKE ASY, CHAIN | | CHINA | |
| | | P021-010130 | 1 | BRAKE,ASM CHAIN | | Sr/Nr 36014036 and after | Sus. by P021-010131 |
| | | P021-010131 | 1 | BRAKE,ASM CHAIN | | | |
| 5 | + | 433201-39331 | 1 | LEVER ASSY, BRAKE | | Sus. by 433201-39332 | |
| 5 | + | 433201-39332 | 1 | LEVER ASY, BRAKE | | | |
| 6 | ++ | 900560-00005 | 1 | NUT, LOCK 5 | 5 | Sus. by 900562-50005 | |
| 6 | ++ | 900562-50005 | 1 | LOCKNUT 5 | 5 | | |
| 7 | ++ | 900330-30240 | 1 | PIN 3*24 | 3*23.8 | | |
| 8 | ++ | 433167-39130 | 2 | SPACER | | | |
| 9 | ++ | 433114-38331 | 1 | SPRING | | | |

6. Chain Brake Asy



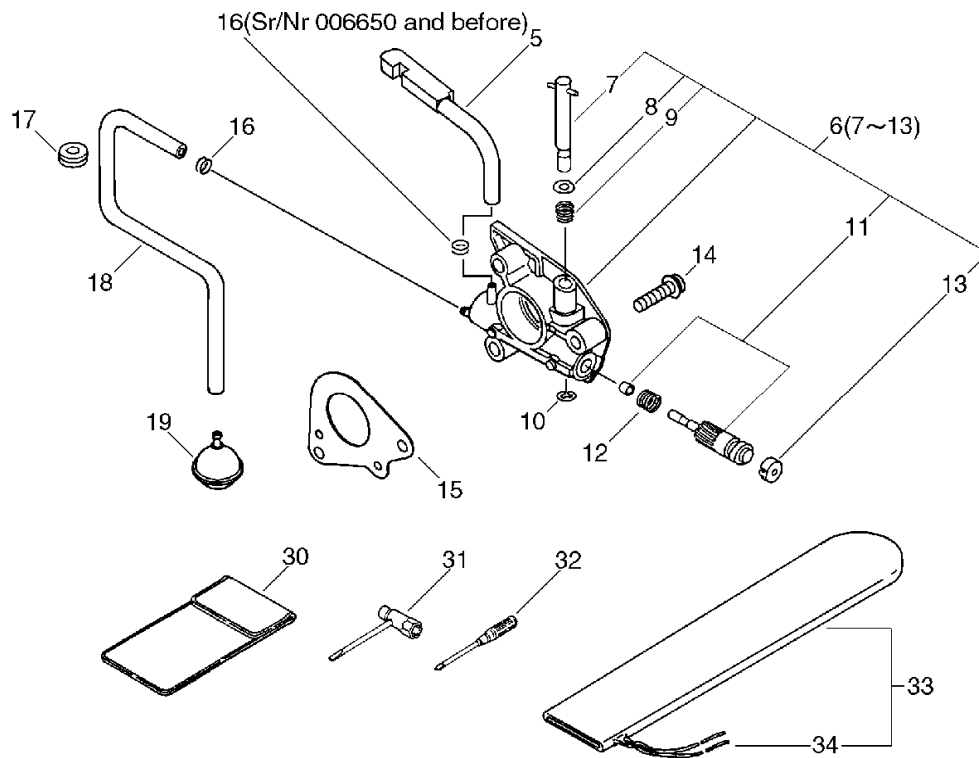
| KEY | LV | PART NUMBER | Q'TY | DESCRIPTION | REMARKS | NOTE1 | NOTE2 |
|-----|----|--------------|------|-----------------------|---------|--|-------|
| 10 | ++ | 900209-05030 | 1 | SCREW, 5*30 | 5*30 | Sus. by 91318-05032 | |
| 10 | ++ | 91318-05032 | 1 | SCREW | 5*32 | | |
| 11 | ++ | 900500-00004 | 2 | NUT 4 | 4 | | |
| 12 | ++ | 433171-39330 | 1 | WEIGHT, BRAKE | | | |
| 13 | ++ | 900238-04018 | 2 | SCREW 4*18 | 4*18 | | |
| 23 | + | 433005-38932 | 1 | GUARD, SPROCKET | | Sus. by P021-001290 | |
| 14 | + | P021-001290 | 1 | GUARD, SPROCKET SET | | Sr/Nr 36014035 and before | |
| 14 | + | P021-001291 | 1 | GUARD, SPROCKET SET | | Sr/Nr 36014036 and after | |
| 17 | ++ | 900220-03006 | 1 | SCREW 3*6 | 3*6 | | |
| 18 | ++ | C305-000000 | 1 | PLATE, SPROCKET GUARD | | Sus. by C305-000001 | |
| 18 | ++ | C305-000001 | 1 | PLATE, SPROCKET GUARD | | | |
| 19 | ++ | 900253-04010 | 1 | SCREW 4*10 | 4*10 | | |
| 23 | ++ | 433005-38933 | 1 | GUARD, SPROCKET | | Sr/Nr 003151 to 36014035 | |
| 23 | ++ | 433005-38934 | 1 | GUARD, SPROCKET | | CHINA Sus. by P021-010160 | |
| 23 | ++ | P021-010160 | 1 | GUARD, SPROCKET KIT | | Sr/Nr 36014036 and after Sus. by P021-010161 | |

6. Chain Brake Asy



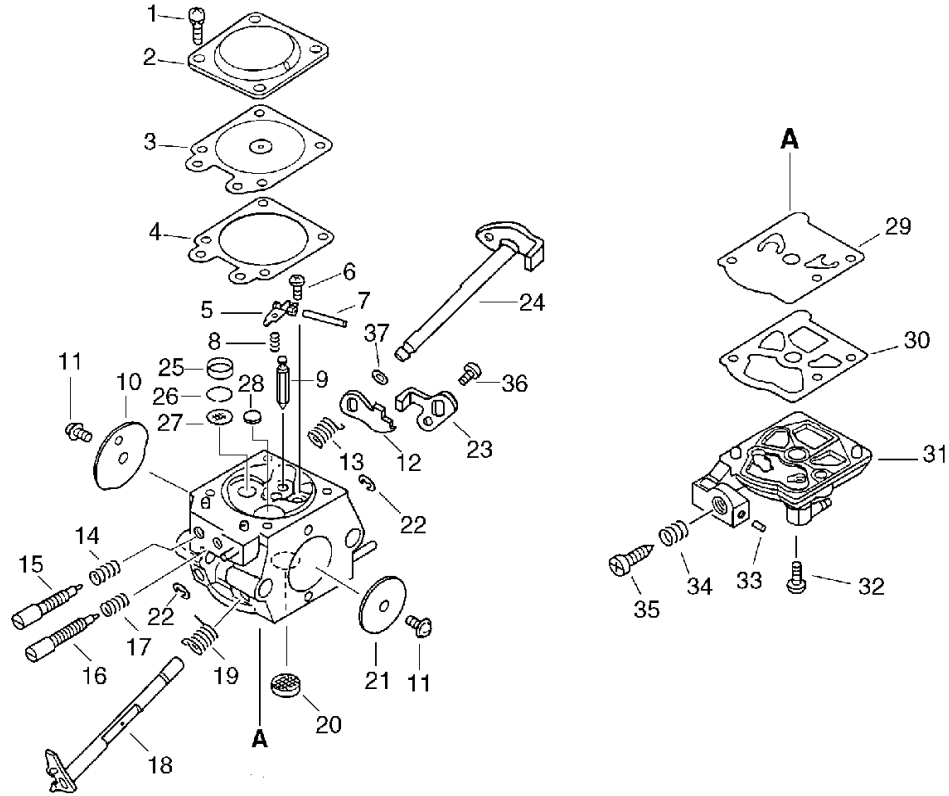
| KEY | LV | PART NUMBER | Q'TY | DESCRIPTION | REMARKS | NOTE1 | NOTE2 |
|-----|-----|--------------|------|--------------------|-----------|--------------------------|-------|
| 25 | +++ | V203-000110 | 1 | BOLT,5 | | Sr/Nr 36014036 and after | |
| 19 | + | 900253-04010 | 2 | SCREW 4*10 | 4*10 | | |
| 45 | + | 433122-35430 | 1 | SPRING, BRAKE | | | |
| 46 | + | 433209-35430 | 1 | STOPPER, BRAKE | | | |
| 47 | + | 433115-38330 | 1 | WASHER 5.2*12*14 | 5.2*12*14 | | |
| 48 | + | 433208-35431 | 1 | LEVER, BRAKE | | | |
| 49 | + | 900330-40088 | 1 | ROLLER 4*8.8 | 4*8.8 | | |
| 50 | + | 433142-35430 | 1 | ADJUSTER, BRAKE | | | |
| 51 | + | 433123-35430 | 1 | BAND, BRAKE | | Sus. by C328-000060 | |
| 51 | + | C328-000060 | 1 | BAND, BRAKE | | | |
| 52 | + | 900342-25012 | 1 | PIN, SPRING 2.5*12 | 2.5*12 | | |
| 53 | + | 433310-38330 | 1 | COVER, BRAKE | | | |
| 62 | + | V304-000090 | 1 | WASHER, CIRCULAR 6 | | Sr/Nr 36002911 and after | |

7. Auto-Oiler, Tools



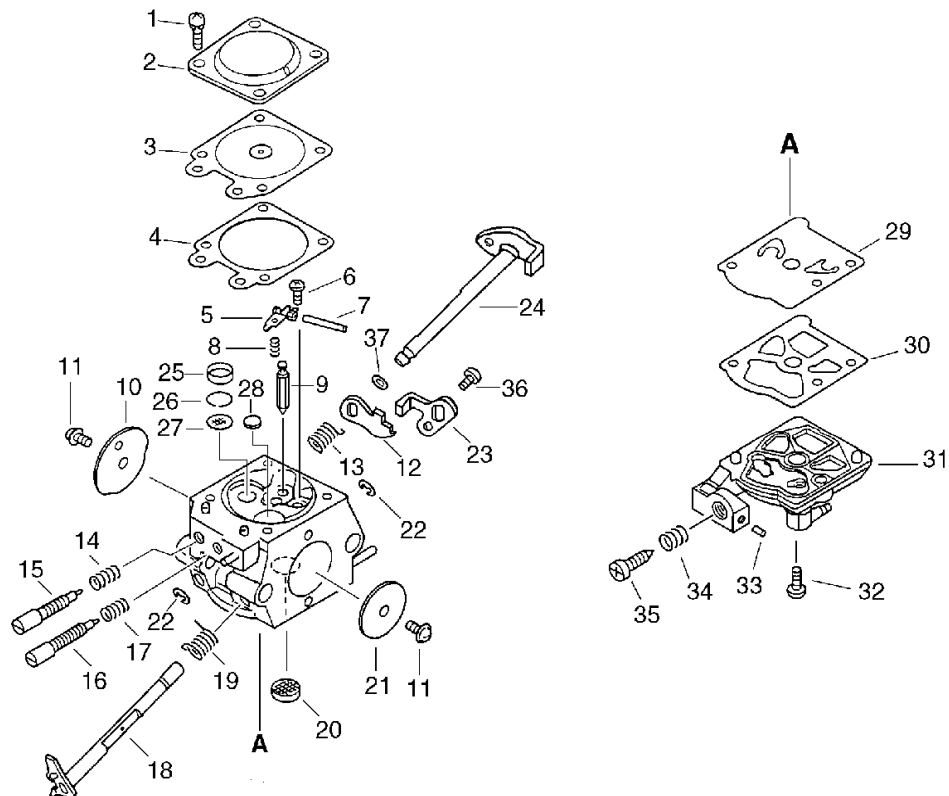
| KEY | LV | PART NUMBER | Q'TY | DESCRIPTION | REMARKS | NOTE1 | NOTE2 |
|-----|----|--------------|------|---------------------|---------|-------------------------|-------|
| 5 | | 437229-38331 | 1 | PIPE | | | |
| 6 | | 437002-38330 | 1 | AUTO-OILER ASSY | | | |
| 7 | + | 437016-38330 | 1 | NEEDLE, ADJUST | | | |
| 8 | + | 437029-37330 | 1 | WASHER | | | |
| 9 | + | 437015-37330 | 1 | SPRING | | | |
| 10 | + | 123127-15030 | 1 | RING | | | |
| 11 | + | 437024-37330 | 1 | PLUNGER | | | |
| 12 | + | 437019-38330 | 1 | SPRING | | | |
| 13 | + | 437062-38330 | 1 | CAP, OIL PUMP | | | |
| 14 | | 900223-04016 | 2 | SCREW | 4*16 | | |
| 15 | | 175310-38330 | 1 | PLATE, SEAL | | | |
| 16 | | 132013-26630 | 2 | CLIP | 6.5MM | Sr/Nr 006650 and before | |
| 16 | | 132013-26630 | 1 | CLIP | 6.5MM | Sr/Nr 006651 and after | |
| 17 | | 132115-12330 | 1 | GROMMET | | | |
| 18 | | 437210-38330 | 1 | PIPE, OIL | | | |
| 19 | | 436205-14730 | 1 | STRAINER, OIL | | | |
| 30 | | 898510-39130 | 1 | BAG, TOOL | | | |
| 31 | | 895410-02830 | 1 | WRENCH, W/S. DRIVER | | Sus. by X602-000080 | |
| 32 | | 895811-00130 | 1 | DRIVER, SCREW 125 | | | |
| 33 | | 898548-14531 | 1 | SCABBARD, CHAIN | | | |
| 34 | + | 898568-14530 | 1 | ROPE | 5*900 | | |

8. Carburetor(Sr/Nr 010100 and before)



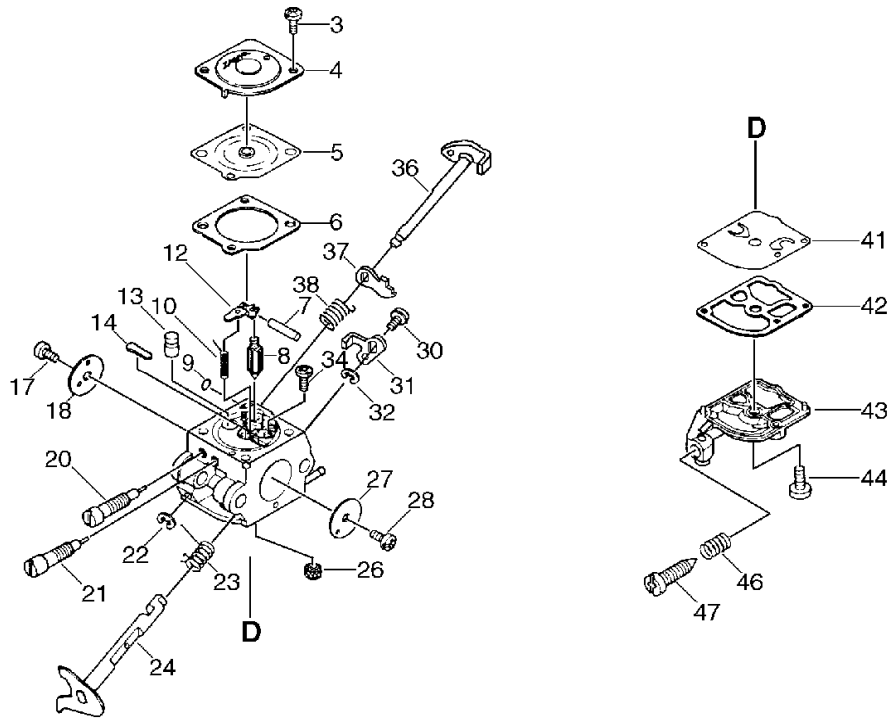
| KEY | LV | PART NUMBER | Q'TY | DESCRIPTION | REMARKS | NOTE1 | NOTE2 |
|-----|----|--------------|------|----------------------|---------------------|-------|-------|
| | | A021-000100 | 1 | CARBURETOR,DIAPHRAGM | WT-575 W/A CHOKE | | |
| 1 | + | 123130-02960 | 4 | SCREW | | | |
| 2 | + | 123142-03930 | 1 | COVER, M. DIAPHRAGM | | | |
| 3 | + | 123141-03930 | 1 | DIAPHRAGM, METERING | | | |
| 4 | + | 123140-03930 | 1 | GASKET, M. DIAPHRAGM | | | |
| 5 | + | 123123-38330 | 1 | LEVER, METERING | | | |
| 6 | + | 123139-03930 | 1 | SCREW, M. LEVER PIN | | | |
| 7 | + | 123138-03930 | 1 | PIN, METERING LEVER | | | |
| 8 | + | 123122-39330 | 1 | SPRING, METER. LEVER | | | |
| 9 | + | 123137-19830 | 1 | VALVE, INLET NEEDLE | | | |
| 10 | + | P003-000230 | 1 | VALVE CHOKE | | | |
| 11 | + | 123114-38830 | 2 | SCREW | | | |
| 12 | + | P003-000160 | 1 | LEVER-FAST IDLE | | | |
| 13 | + | P003-000140 | 1 | SPRING | | | |
| 14 | + | 123119-22130 | 1 | SPRING, NEEDLE | | | |
| 15 | + | 123120-38330 | 1 | NEEDLE, HIGH SPEED | | | |
| 16 | + | 123118-38330 | 1 | NEEDLE, IDLE | | | |
| 17 | + | 123121-22130 | 1 | SPRING, NEEDLE | | | |
| 18 | + | P003-000120 | 1 | SHAFT, THROTTLE | | | |
| 19 | + | 123113-37530 | 1 | SPRING, THROTTLE RTN | | | |
| 20 | + | 123126-10631 | 1 | SCREEN, INLET | | | |
| 21 | + | 123116-10530 | 1 | VALVE, THROTTLE | | | |
| 22 | + | 123127-15030 | 2 | RING | | | |
| 23 | + | P003-000130 | 1 | THROTTLE, LEVER | | | |
| 24 | + | P003-000150 | 1 | CHOKE, SHAFT | | | |

8. Carburetor(Sr/Nr 010100 and before)



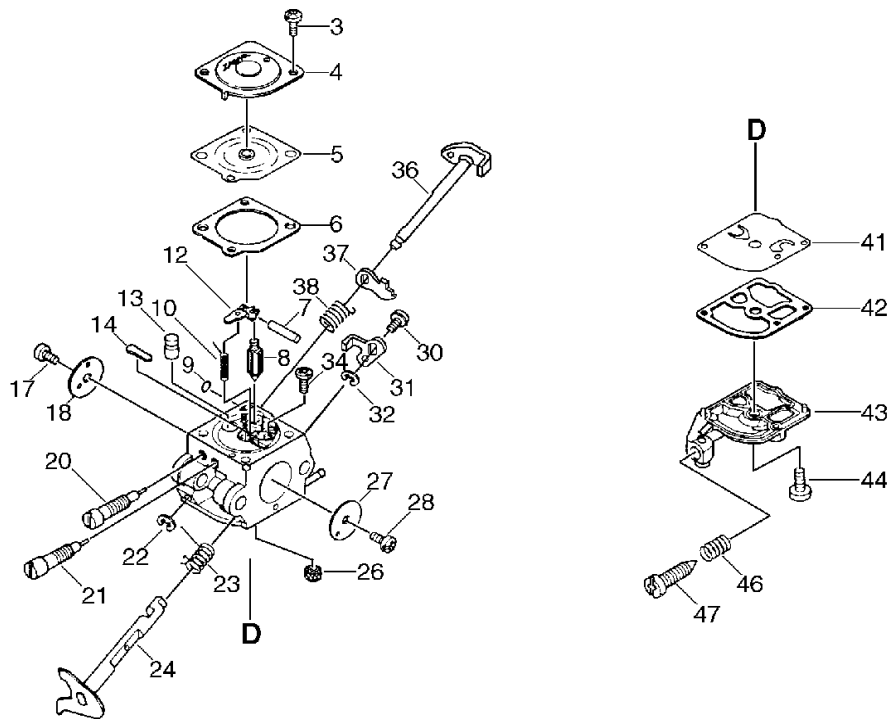
| KEY | LV | PART NUMBER | Q'TY | DESCRIPTION | REMARKS | NOTE1 | NOTE2 |
|-----|----|--------------|------|----------------------|---------|----------------------|-------|
| 25 | + | 123146-17330 | 1 | PLUG, CUP | | | |
| 26 | + | 123169-10630 | 1 | RING, RETAINING | | | |
| 27 | + | 123168-10631 | 1 | SCREEN | | | |
| 28 | + | 123146-10631 | 1 | PLUG, WELCH | | | |
| 29 | + | 123112-15030 | 1 | DIAPHRAGM, FUEL PUMP | | | |
| 30 | + | 123125-15030 | 1 | GASKET, FUEL PUMP | | | |
| 31 | + | 123124-38330 | 1 | COVER, FUEL PUMP | | | |
| 32 | + | 123110-03930 | 1 | SCREW, PUMP COVER | | | |
| 33 | + | 123178-15030 | 1 | PLUG, FRICTION | | | |
| 34 | + | 123133-04260 | 1 | SPRING, IDLE ADJUST | | | |
| 35 | + | 123134-04260 | 1 | SCREW, IDLE ADJUST | | | |
| 36 | + | 123114-03930 | 1 | SCREW | | Sus. by 123114-38830 | |
| 36 | + | 123114-38830 | 1 | SCREW | | | |
| 37 | + | 123149-26030 | 1 | WASHER | | | |

9. Carburetor(Sr/Nr 010101 to 017776,CHINA)



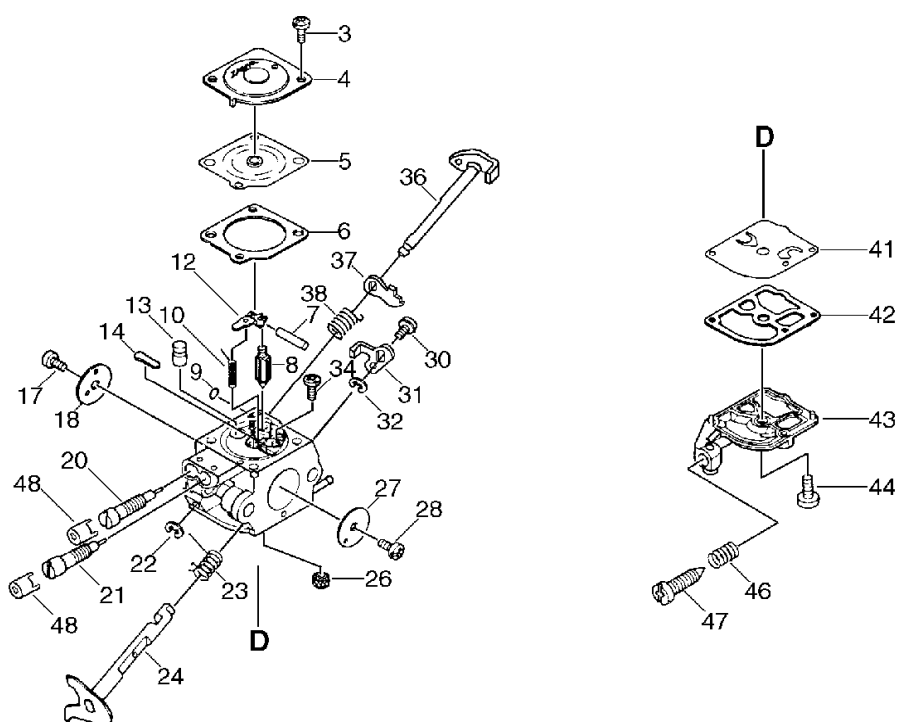
| KEY | LV | PART NUMBER | Q'TY | DESCRIPTION | REMARKS | NOTE1 | NOTE2 |
|-----|----|--------------|------|----------------------|----------|---------------------|-------|
| | | A021-000560 | 1 | CARBURETOR,DIAPHRAGM | | Sus. by A021-000561 | |
| | | A021-000561 | 1 | CARBURETOR,DIAPHRAGM | C1Q-K64A | | |
| 3 | + | 125344-52130 | 2 | SCREW | | | |
| 4 | + | 125342-13210 | 1 | COVER, DIAPHRAGM | | | |
| 5 | + | 125341-49030 | 1 | DIAPHRAGM | | | |
| 6 | + | 125340-42030 | 1 | GASKET, DIAPHRAGM | | | |
| 7 | + | 125338-13930 | 1 | PIN, METERING ARM | | | |
| 8 | + | 125337-08260 | 1 | VALVE, INLET NEEDLE | | | |
| 9 | + | 125345-13310 | 1 | PLUG, WELCH | | | |
| 10 | + | 125322-13930 | 1 | SPRING, COIL | | | |
| 12 | + | 125323-08260 | 1 | ARM, VALVE | | | |
| 13 | + | P005-000770 | 1 | NOZZLE CHECK VALVE | | | |
| 14 | + | 125345-51030 | 1 | PLUG, WELCH | | | |
| 17 | + | 125314-51230 | 1 | SCREW | 3*4.5 | | |
| 18 | + | P005-000900 | 1 | VALVE, CHOKE | | | |
| 20 | + | P005-000850 | 1 | NEEDLE, HIGH SPEED | | | |
| 21 | + | P005-000840 | 1 | NEEDLE, IDLE | | | |
| 22 | + | 125327-15130 | 1 | CLIP | | | |
| 23 | + | P005-000790 | 1 | SPRING, THRT.RETURN | | | |
| 24 | + | P005-000780 | 1 | SHAFT ASY,THROTTLE | | | |
| 26 | + | P005-000860 | 1 | SCREEN, FUEL INLET | | | |
| 27 | + | P005-000810 | 1 | VALVE, THROTTLE | | | |
| 28 | + | 125314-13930 | 1 | SCREW | 3*4 | | |
| 30 | + | 125348-13930 | 1 | SCREW | | | |
| 31 | + | P005-000800 | 1 | LEVER, THROTTLE | | | |

9. Carburetor(Sr/Nr 010101 to 017776,CHINA)



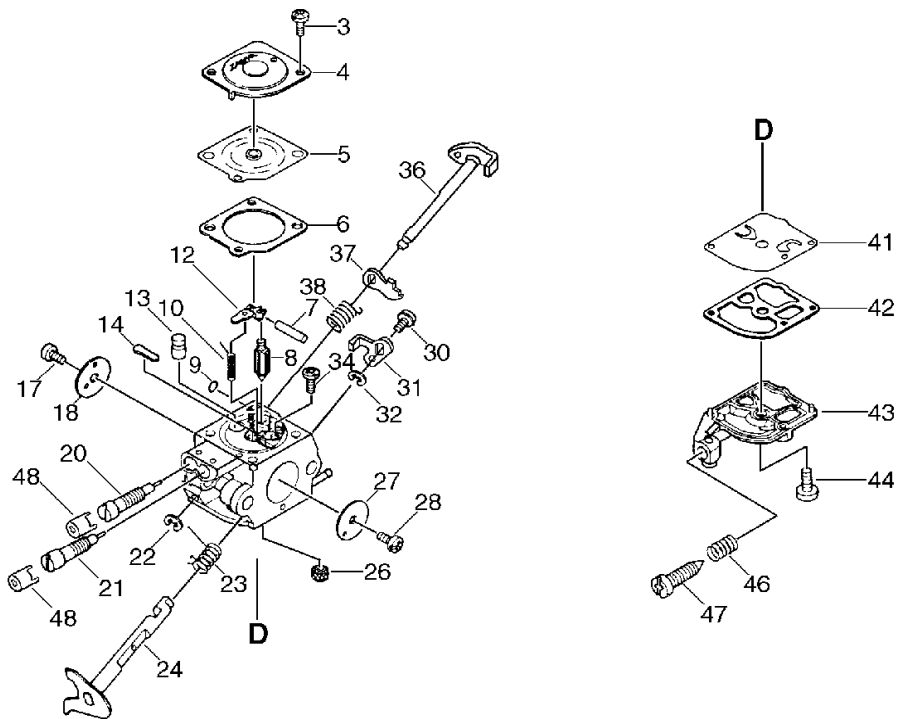
| KEY | LV | PART NUMBER | Q'TY | DESCRIPTION | REMARKS | NOTE1 | NOTE2 |
|-----|----|--------------|------|-----------------------|---------|---------------------|-------|
| 32 | + | 125327-13930 | 1 | CLIP | | | |
| 34 | + | 125339-13930 | 1 | SCREW | | | |
| 36 | + | P005-000870 | 1 | SHAFT, CHOKE | | Sus. by P005-001310 | |
| 36 | + | P005-001310 | 1 | SHAFT, CHOKE | | | |
| 37 | + | P005-000890 | 1 | LEVER, CHOKE | | Sus. by P005-001300 | |
| 37 | + | P005-001300 | 1 | LEVER, CHOKE | | | |
| 38 | + | P005-000880 | 1 | SPRING, CHOKE RETURN | | | |
| 41 | + | P005-000820 | 1 | DIAPHRAGM, PUMP | | | |
| 42 | + | 125325-08360 | 1 | GASKET, PUMP | | | |
| 43 | + | P005-000830 | 1 | COVER, PUMP | | | |
| 44 | + | 125310-13930 | 1 | SCREW | | | |
| 46 | + | 125333-06960 | 1 | SPRING, IDLE ADJUSTER | | | |
| 47 | + | 125344-08560 | 1 | SCREW | | | |

10. Carburetor(Sr/Nr 36001001 and after)



| KEY | LV | PART NUMBER | Q'TY | DESCRIPTION | REMARKS | NOTE1 | NOTE2 |
|-----|----|--------------|------|----------------------|---------|-------|-------|
| | | A021-001000 | 1 | CARBURETOR,DIAPHRAGM | C1Q-K79 | | |
| 3 | + | 125344-52130 | 2 | SCREW | | | |
| 4 | + | 125342-52130 | 1 | COVER, DIAPHRAGM | | | |
| 5 | + | 125341-49030 | 1 | DIAPHRAGM | | | |
| 6 | + | 125340-42030 | 1 | GASKET, DIAPHRAGM | | | |
| 7 | + | 125338-13930 | 1 | PIN, METERING ARM | | | |
| 8 | + | 125337-08260 | 1 | VALVE, INLET NEEDLE | | | |
| 9 | + | 125345-13310 | 1 | PLUG, WELCH | | | |
| 10 | + | 125322-13930 | 1 | SPRING, COIL | | | |
| 12 | + | 125323-08260 | 1 | ARM, VALVE | | | |
| 13 | + | P005-000770 | 1 | NOZZLE CHECK VALVE | | | |
| 14 | + | 125345-51030 | 1 | PLUG, WELCH | | | |
| 17 | + | 125314-51230 | 1 | SCREW | 3*4.5 | | |
| 18 | + | P005-000900 | 1 | VALVE, CHOKE | | | |
| 20 | + | P005-001830 | 1 | SCREW,MAINN MIXTURE | | | |
| 21 | + | P005-001820 | 1 | SCREW, IDLE MIXTURE | | | |
| 22 | + | 125327-15130 | 1 | CLIP | | | |
| 23 | + | P005-000790 | 1 | SPRING, THRT.RETURN | | | |
| 24 | + | P005-000780 | 1 | SHAFT ASY,THROTTLE | | | |
| 26 | + | P005-000860 | 1 | SCREEN, FUEL INLET | | | |
| 27 | + | P005-000810 | 1 | VALVE, THROTTLE | | | |
| 28 | + | 125314-13930 | 1 | SCREW | 3*4 | | |
| 30 | + | 125348-13930 | 1 | SCREW | | | |
| 31 | + | P005-000800 | 1 | LEVER, THROTTLE | | | |
| 32 | + | 125327-13930 | 1 | CLIP | | | |
| 34 | + | 125339-13930 | 1 | SCREW | | | |

10. Carburetor(Sr/Nr 36001001 and after)



| KEY | LV | PART NUMBER | Q'TY | DESCRIPTION | REMARKS | NOTE1 | NOTE2 |
|-----|----|--------------|------|-----------------------|---------|-------|-------|
| 36 | + | P005-001310 | 1 | SHAFT, CHOKE | | | |
| 37 | + | P005-001300 | 1 | LEVER, CHOKE | | | |
| 38 | + | P005-000880 | 1 | SPRING, CHOKE RETURN | | | |
| 41 | + | P005-000820 | 1 | DIAPHRAGM, PUMP | | | |
| 42 | + | 125325-08360 | 1 | GASKET, PUMP | | | |
| 43 | + | P005-000830 | 1 | COVER, PUMP | | | |
| 44 | + | 125310-13930 | 1 | SCREW | | | |
| 46 | + | 125333-06960 | 1 | SPRING, IDLE ADJUSTER | | | |
| 47 | + | 125344-08560 | 1 | SCREW | | | |
| 48 | + | P005-001840 | 2 | LIMITER KIT | | | |

Index

| Patrs Number | Key No. | Patrs Number | Key No. | Patrs Number | Key No. |
|---------------------|----------------|---------------------|----------------|---------------------|----------------|
| 100011-39730 | 1 - 8 | 123149-26030 | 8 - 37 | 130020-33330 | 2 - 6 |
| 100012-32330 | 1 - 12 | 123168-10631 | 8 - 27 | 130110-38330 | 2 - 8 |
| 100015-32330 | 1 - 10 | 123169-10630 | 8 - 26 | 130310-38330 | 2 - 10 |
| 100142-30830 | 1 - 17 | 123178-15030 | 8 - 33 | 130310-38331 | 2 - 10 |
| 100215-03930 | 1 - 23 | 125310-13930 | 10 - 44 | 130338-32430 | 1 - 24 |
| 100910-38330 | 4 - 27 | 125310-13930 | 9 - 44 | 130366-38330 | 2 - 5 |
| 100915-32530 | 4 - 25 | 125314-13930 | 10 - 28 | 130405-38331 | 2 - 9 |
| 100915-33930 | 1 - 31 | 125314-13930 | 9 - 28 | 130430-38330 | 2 - 13 |
| 100918-38330 | 1 - 30 | 125314-51230 | 10 - 17 | 130510-39932 | 1 - 2 |
| 100918-38330 | 4 - 26 | 125314-51230 | 9 - 17 | 131004-37931 | 4 - 17 |
| 100921-38330 | 1 - 32 | 125322-13930 | 10 - 10 | 131004-37932 | 4 - 17 |
| 100921-38330 | 4 - 24 | 125322-13930 | 9 - 10 | 131051-19830 | 1 - 47 |
| 101100-21360 | 1 - 53 | 125323-08260 | 10 - 12 | 131051-19830 | 4 - 18 |
| 101113-37530 | 1 - 54 | 125323-08260 | 9 - 12 | 131205-19830 | 4 - 23 |
| 101119-37530 | 1 - 55 | 125325-08360 | 10 - 42 | 131300-56430 | 4 - 12 |
| 101520-35430 | 1 - 25 | 125325-08360 | 9 - 42 | 131328-40630 | 4 - 13 |
| 101578-38431 | 1 - 29 | 125327-13930 | 10 - 32 | 132010-38330 | 4 - 21 |
| 104005-38332 | 1 - 33 | 125327-13930 | 9 - 32 | 132010-38331 | 4 - 21 |
| 104005-38333 | 1 - 33 | 125327-15130 | 10 - 22 | 132012-39330 | 4 - 15 |
| 104005-38334 | 1 - 33 | 125327-15130 | 9 - 22 | 132013-26630 | 4 - 14 |
| 123110-03930 | 8 - 32 | 125333-06960 | 10 - 46 | 132013-26630 | 4 - 22 |
| 123112-15030 | 8 - 29 | 125333-06960 | 9 - 46 | 132013-26630 | 7 - 16 |
| 123113-37530 | 8 - 19 | 125337-08260 | 10 - 8 | 132013-26630 | 7 - 16 |
| 123114-03930 | 8 - 36 | 125337-08260 | 9 - 8 | 132115-04920 | 4 - 20 |
| 123114-38830 | 8 - 11 | 125338-13930 | 10 - 7 | 132115-12330 | 7 - 17 |
| 123114-38830 | 8 - 36 | 125338-13930 | 9 - 7 | 145510-35431 | 2 - 30 |
| 123116-10530 | 8 - 21 | 125339-13930 | 10 - 34 | 145600-38330 | 2 - 26 |
| 123118-38330 | 8 - 16 | 125339-13930 | 9 - 34 | 145600-38331 | 2 - 26 |
| 123119-22130 | 8 - 14 | 125340-42030 | 10 - 6 | 145600-38332 | 2 - 26 |
| 123120-38330 | 8 - 15 | 125340-42030 | 9 - 6 | 145600-38333 | 2 - 26 |
| 123121-22130 | 8 - 17 | 125341-49030 | 10 - 5 | 145711-35430 | 2 - 28 |
| 123122-39330 | 8 - 8 | 125341-49030 | 9 - 5 | 145711-60631 | 2 - 28 |
| 123123-38330 | 8 - 5 | 125342-13210 | 9 - 4 | 159011-03432 | 3 - 6 |
| 123124-38330 | 8 - 31 | 125342-52130 | 10 - 4 | 159011-03432 | 3 - 6 |
| 123125-15030 | 8 - 30 | 125344-08560 | 10 - 47 | 159012-01620 | 3 - 7 |
| 123126-10631 | 8 - 20 | 125344-08560 | 9 - 47 | 159012-01620 | 3 - 7 |
| 123127-15030 | 7 - 10 | 125344-52130 | 10 - 3 | 159017-31730 | 3 - 5 |
| 123127-15030 | 8 - 22 | 125344-52130 | 9 - 3 | 159025-37530 | 1 - 56 |
| 123130-02960 | 8 - 1 | 125345-13310 | 10 - 9 | 162010-38330 | 2 - 17 |
| 123133-04260 | 8 - 34 | 125345-13310 | 9 - 9 | 162010-38331 | 2 - 17 |
| 123134-04260 | 8 - 35 | 125345-51030 | 10 - 14 | 162010-38332 | 2 - 17 |
| 123137-19830 | 8 - 9 | 125345-51030 | 9 - 14 | 163400-38330 | 2 - 23 |
| 123138-03930 | 8 - 7 | 125348-13930 | 10 - 30 | 163413-38930 | 2 - 19 |
| 123139-03930 | 8 - 6 | 125348-13930 | 9 - 30 | 163804-38930 | 2 - 18 |
| 123140-03930 | 8 - 4 | 129010-33330 | 2 - 15 | 163804-38931 | 2 - 18 |
| 123141-03930 | 8 - 3 | 130000-38330 | 2 - 4 | 163804-38932 | 2 - 18 |
| 123142-03930 | 8 - 2 | 130000-38331 | 2 - 4 | 163804-38933 | 2 - 18 |
| 123146-10631 | 8 - 28 | 130010-38330 | 2 - 7 | 163804-38934 | 2 - 18 |
| 123146-17330 | 8 - 25 | 130016-39930 | 1 - 3 | 163804-38935 | 2 - 18 |

Index

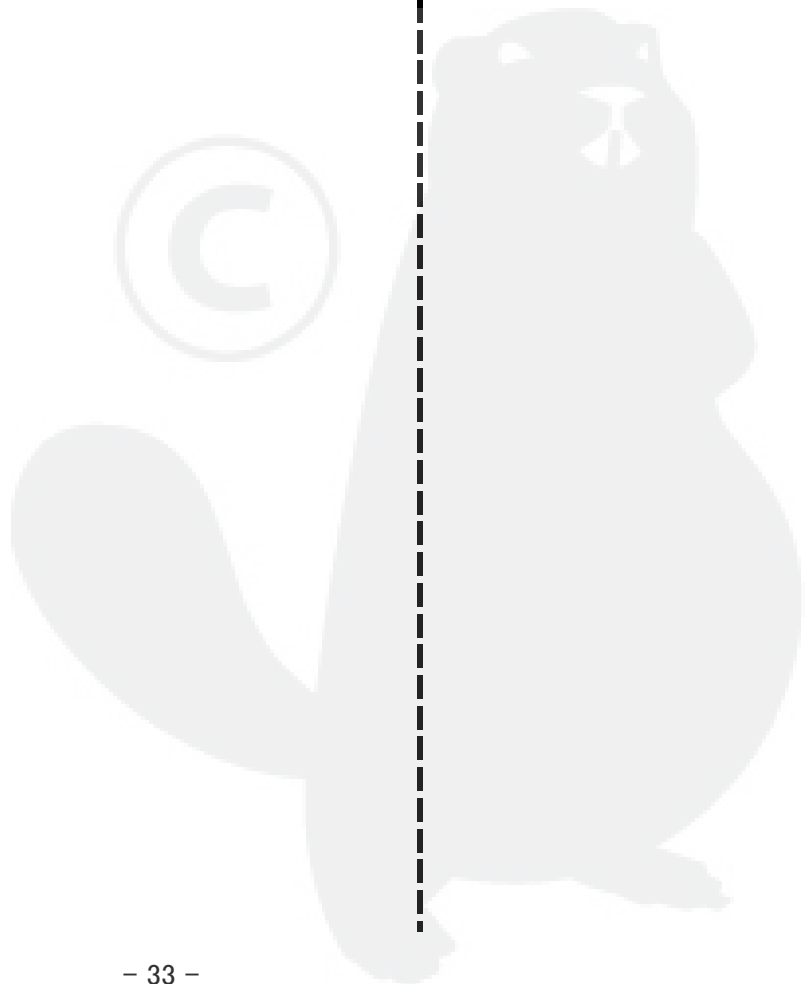
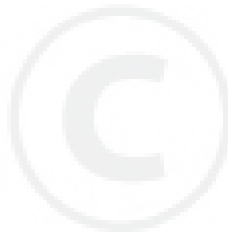
| Patrs Number | Key No. | Patrs Number | Key No. | Patrs Number | Key No. |
|---------------------|----------------|---------------------|----------------|---------------------|----------------|
| 163810-38931 | 2 - 20 | 433100-38932 | 6 - | 890157-39130 | 2 - 22 |
| 163810-38932 | 2 - 20 | 433100-38933 | 6 - | 890345-39230 | 1 - 44 |
| 163810-38933 | 2 - 20 | 433100-38934 | 6 - | 895410-02830 | 7 - 31 |
| 163890-38330 | 1 - 22 | 433100-38935 | 6 - | 895811-00130 | 7 - 32 |
| 175000-37531 | 5 - 30 | 433100-38936 | 6 - | 898510-39130 | 7 - 30 |
| 175002-19830 | 5 - 35 | 433100-38937 | 6 - | 898548-14531 | 7 - 33 |
| 175016-19830 | 5 - 33 | 433114-38331 | 5 - 9 | 898568-14530 | 7 - 34 |
| 175018-19830 | 5 - 34 | 433114-38331 | 6 - 9 | 900105-04006 | 2 - 27 |
| 175019-19830 | 5 - 32 | 433115-38330 | 5 - 47 | 900105-04006 | 5 - 36 |
| 175114-12530 | 5 - 39 | 433115-38330 | 6 - 47 | 900105-05012 | 5 - 21 |
| 175310-38330 | 7 - 15 | 433122-35430 | 5 - 45 | 900105-05014 | 2 - 29 |
| 177200-38333 | 3 - 19 | 433122-35430 | 6 - 45 | 900106-05020 | 1 - 6 |
| 177200-38334 | 3 - 19 | 433123-35430 | 5 - 51 | 900162-04016 | 1 - 38 |
| 177200-38335 | 3 - 19 | 433123-35430 | 6 - 51 | 900162-04030 | 3 - 10 |
| 177214-02830 | 3 - 21 | 433142-35430 | 5 - 50 | 900162-05014 | 3 - 17 |
| 177215-38330 | 3 - 23 | 433142-35430 | 6 - 50 | 900162-05022 | 1 - 5 |
| 177218-19830 | 3 - 15 | 433167-39130 | 5 - 8 | 900162-05050 | 2 - 12 |
| 177220-35430 | 3 - 25 | 433167-39130 | 6 - 8 | 900209-05030 | 5 - 10 |
| 177221-38330 | 3 - 24 | 433171-39330 | 5 - 12 | 900209-05030 | 6 - 10 |
| 177226-38330 | 3 - 22 | 433171-39330 | 6 - 12 | 900220-03006 | 5 - 17 |
| 177227-37930 | 3 - 27 | 433201-39331 | 5 - 5 | 900220-03006 | 6 - 17 |
| 177228-35430 | 3 - 26 | 433201-39331 | 6 - 5 | 900220-04006 | 2 - 16 |
| 177234-35430 | 3 - 13 | 433201-39332 | 5 - 5 | 900220-04006 | 5 - 16 |
| 177247-04630 | 3 - 14 | 433201-39332 | 6 - 5 | 900220-05018 | 1 - 28 |
| 178043-35430 | 4 - 9 | 433208-35431 | 5 - 48 | 900223-04016 | 7 - 14 |
| 178090-37930 | 4 - 7 | 433208-35431 | 6 - 48 | 900238-04018 | 5 - 13 |
| 178510-38331 | 2 - 24 | 433209-35430 | 5 - 46 | 900238-04018 | 6 - 13 |
| 178810-14531 | 2 - 21 | 433209-35430 | 6 - 46 | 900238-05012 | 1 - 1 |
| 178810-14532 | 2 - 21 | 433310-38330 | 5 - 53 | 900238-05012 | 3 - 20 |
| 178810-14533 | 2 - 21 | 433310-38330 | 6 - 53 | 900238-05016 | 1 - 26 |
| 178810-14534 | 2 - 21 | 436001-39232 | 1 - 45 | 900238-05018 | 3 - 31 |
| 351101-38332 | 4 - 11 | 436001-65630 | 1 - 45 | 900253-04010 | 5 - 19 |
| 351111-19830 | 4 - 4 | 436001-65631 | 1 - 45 | 900253-04010 | 5 - 19 |
| 351155-35430 | 4 - 6 | 436005-38332 | 1 - 37 | 900253-04010 | 6 - 19 |
| 351155-38430 | 4 - 31 | 436018-38330 | 1 - 34 | 900253-04010 | 6 - 19 |
| 433000-19831 | 1 - 27 | 436018-38330 | 1 - 34 | 900253-04014 | 4 - 5 |
| 433005-38932 | 5 - 23 | 436019-38330 | 1 - 36 | 900296-03014 | 3 - 28 |
| 433005-38932 | 6 - 23 | 436114-13930 | 1 - 39 | 900330-30240 | 5 - 7 |
| 433005-38933 | 5 - 23 | 436205-14730 | 7 - 19 | 900330-30240 | 6 - 7 |
| 433005-38933 | 6 - 23 | 437002-38330 | 7 - 6 | 900330-40088 | 5 - 49 |
| 433005-38934 | 6 - 23 | 437015-37330 | 7 - 9 | 900330-40088 | 6 - 49 |
| 433011-19830 | 1 - 35 | 437016-38330 | 7 - 7 | 900342-25012 | 5 - 52 |
| 433013-35431 | 5 - 15 | 437019-38330 | 7 - 12 | 900342-25012 | 6 - 52 |
| 433013-37330 | 5 - 15 | 437024-37330 | 7 - 11 | 900345-40030 | 4 - 10 |
| 433014-60930 | 5 - 26 | 437029-37330 | 7 - 8 | 900500-00004 | 5 - 11 |
| 433019-12330 | 5 - 22 | 437062-38330 | 7 - 13 | 900500-00004 | 6 - 11 |
| 433045-38330 | 1 - 48 | 437210-38330 | 7 - 18 | 900515-00008 | 3 - 12 |
| 433045-38331 | 1 - 48 | 437229-38331 | 7 - 5 | 900560-00005 | 5 - 6 |
| 433045-38332 | 1 - 48 | 880200-38330 | 5 - 20 | 900560-00005 | 6 - 6 |

Index

| Patrs Number | Key No. | Patrs Number | Key No. | Patrs Number | Key No. |
|---------------------|----------------|---------------------|----------------|---------------------|----------------|
| 900562-50005 | 5 - 6 | C305-000000 | 5 - 18 | P021-001060 | 1 - 7 |
| 900562-50005 | 6 - 6 | C305-000000 | 6 - 18 | P021-001061 | 1 - 7 |
| 900603-00005 | 3 - 16 | C305-000001 | 5 - 18 | P021-001062 | 1 - 7 |
| 900720-00022 | 4 - 19 | C305-000001 | 6 - 18 | P021-001070 | 1 - 14 |
| 900721-00025 | 1 - 46 | C309-000030 | 5 - 26 | P021-001071 | 1 - 14 |
| 900725-02025 | 1 - 46 | C328-000060 | 5 - 51 | P021-001290 | 5 - 14 |
| 900810-36202 | 1 - 15 | C328-000060 | 6 - 51 | P021-001290 | 6 - 14 |
| 91145-05016 | 4 - 30 | C400-000010 | 4 - 28 | P021-001291 | 5 - 14 |
| 91145-05020 | 4 - 29 | C450-000000 | 4 - 8 | P021-001291 | 6 - 14 |
| 91318-05032 | 5 - 10 | C454-000030 | 2 - 25 | P021-003110 | 1 - 33 |
| 91318-05032 | 6 - 10 | C454-000040 | 2 - 25 | P021-004080 | 1 - 4 |
| A021-000100 | 2 - 14 | C454-000041 | 2 - 25 | P021-004082 | 1 - 4 |
| A021-000100 | 8 - | P003-000120 | 8 - 18 | P021-007050 | 5 - 58 |
| A021-000560 | 2 - 14 | P003-000130 | 8 - 23 | P021-007070 | 5 - 55 |
| A021-000560 | 9 - | P003-000140 | 8 - 13 | P021-008610 | 2 - 26 |
| A021-000561 | 2 - 14 | P003-000150 | 8 - 24 | P021-010130 | 6 - |
| A021-000561 | 9 - | P003-000160 | 8 - 12 | P021-010131 | 6 - |
| A021-001000 | 10 - | P003-000230 | 8 - 10 | P021-010160 | 5 - 23 |
| A021-001000 | 2 - 14 | P005-000770 | 10 - 13 | P021-010160 | 6 - 23 |
| A160-000100 | 1 - 19 | P005-000770 | 9 - 13 | P021-011470 | 4 - 11 |
| A160-000101 | 1 - 19 | P005-000780 | 10 - 24 | P021-011471 | 4 - 11 |
| A160-000102 | 1 - 19 | P005-000780 | 9 - 24 | V135-000010 | 1 - 40 |
| A172-000060 | 3 - 18 | P005-000790 | 10 - 23 | V150-001740 | 1 - 57 |
| A172-000061 | 3 - 18 | P005-000790 | 9 - 23 | V162-000040 | 4 - 16 |
| A172-000062 | 3 - 18 | P005-000800 | 10 - 31 | V203-000040 | 5 - 25 |
| A204-000000 | 2 - 11 | P005-000800 | 9 - 31 | V203-000041 | 5 - 25 |
| A204-000001 | 2 - 11 | P005-000810 | 10 - 27 | V203-000090 | 3 - 17 |
| A204-000002 | 2 - 11 | P005-000810 | 9 - 27 | V203-000110 | 5 - 25 |
| A204-000003 | 2 - 11 | P005-000820 | 10 - 41 | V203-000110 | 6 - 25 |
| A204-000004 | 2 - 11 | P005-000820 | 9 - 41 | V304-000090 | 5 - 62 |
| A232-000020 | 1 - 20 | P005-000830 | 10 - 43 | V304-000090 | 6 - 62 |
| A232-000021 | 1 - 20 | P005-000830 | 9 - 43 | V308-000000 | 1 - 11 |
| A232-000023 | 1 - 20 | P005-000840 | 9 - 21 | V308-000010 | 1 - 11 |
| A235-000020 | 1 - 21 | P005-000850 | 9 - 20 | V355-000030 | 5 - 29 |
| A241-000000 | 2 - 24 | P005-000860 | 10 - 26 | V355-000270 | 5 - 29 |
| A241-000100 | 2 - 24 | P005-000860 | 9 - 26 | V420-001130 | 2 - 5 |
| A365-000050 | 1 - 47 | P005-000870 | 9 - 36 | V451-000500 | 5 - 57 |
| A365-000050 | 4 - 18 | P005-000880 | 10 - 38 | V508-000000 | 1 - 16 |
| A409-000030 | 3 - 11 | P005-000880 | 9 - 38 | V556-000000 | 1 - 12 |
| A411-000030 | 3 - 9 | P005-000890 | 9 - 37 | V557-000000 | 5 - 37 |
| A411-000031 | 3 - 9 | P005-000900 | 10 - 18 | V557-000010 | 5 - 37 |
| A426-000010 | 3 - 6 | P005-000900 | 9 - 18 | V609-000000 | 1 - 9 |
| A426-000010 | 3 - 6 | P005-001300 | 10 - 37 | V651-000000 | 5 - 27 |
| A427-000012 | 3 - 7 | P005-001300 | 9 - 37 | V651-000001 | 5 - 27 |
| A427-000012 | 3 - 7 | P005-001310 | 10 - 36 | V651-000010 | 5 - 28 |
| A551-000000 | 5 - 40 | P005-001310 | 9 - 36 | V651-000011 | 5 - 28 |
| A551-000060 | 5 - 59 | P005-001820 | 10 - 21 | V652-000000 | 1 - 18 |
| A552-000050 | 5 - 56 | P005-001830 | 10 - 20 | X502-000000 | 5 - 24 |
| A556-000020 | 5 - 38 | P005-001840 | 10 - 48 | X502-000010 | 3 - 32 |

Index

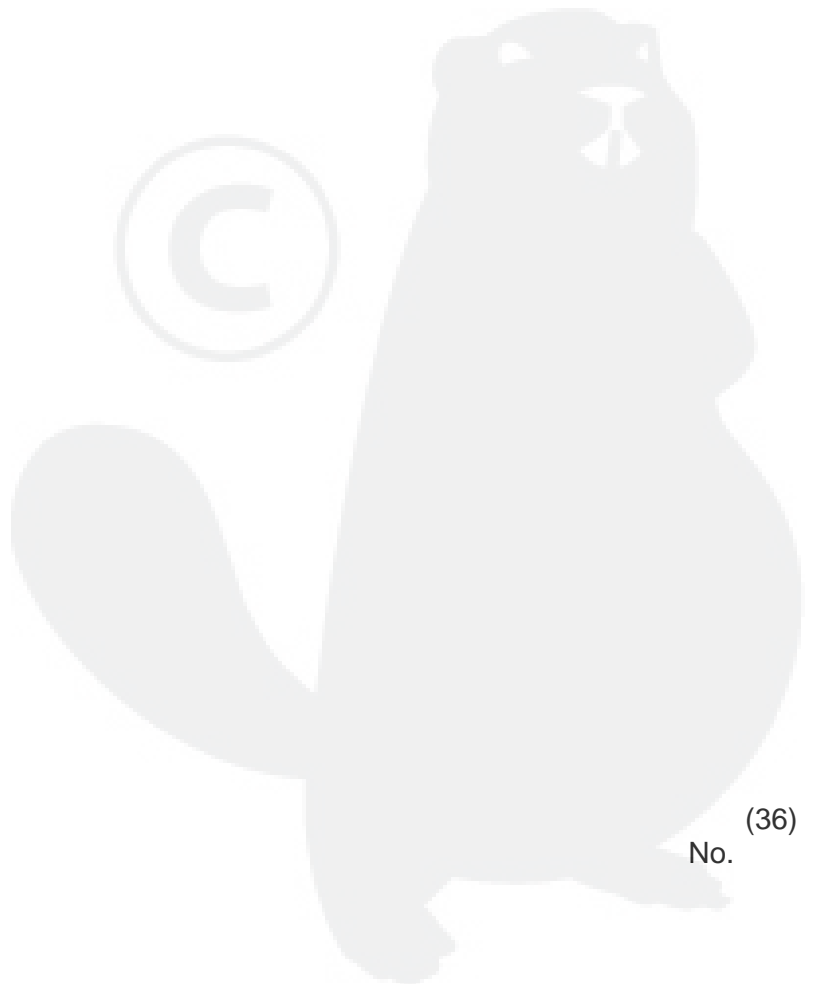
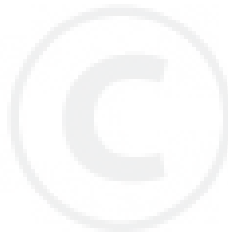
| Patrs Number | Key No. | Patrs Number | Key No. | Patrs Number | Key No. |
|---------------------|----------------|---------------------|----------------|---------------------|----------------|
| X503-000660 | 1 - 41 | | | | |
| X503-005660 | 1 - 41 | | | | |
| X505-000000 | 1 - 42 | | | | |
| X505-000180 | 1 - 43 | | | | |
| X505-001340 | 1 - 60 | | | | |
| X505-001350 | 1 - 43 | | | | |
| X505-002340 | 5 - 63 | | | | |



YAMABIKO CORPORATION

7-2 SUEHIROCHO 1-CHOME, OHME, TOKYO 198-8760, JAPAN
PHONE: 81-428-32-6118. FAX: 81-428-32-6145.

ECHO[®]



(36)
No.