



PARTS CATALOG

TOP HANDLE SAW

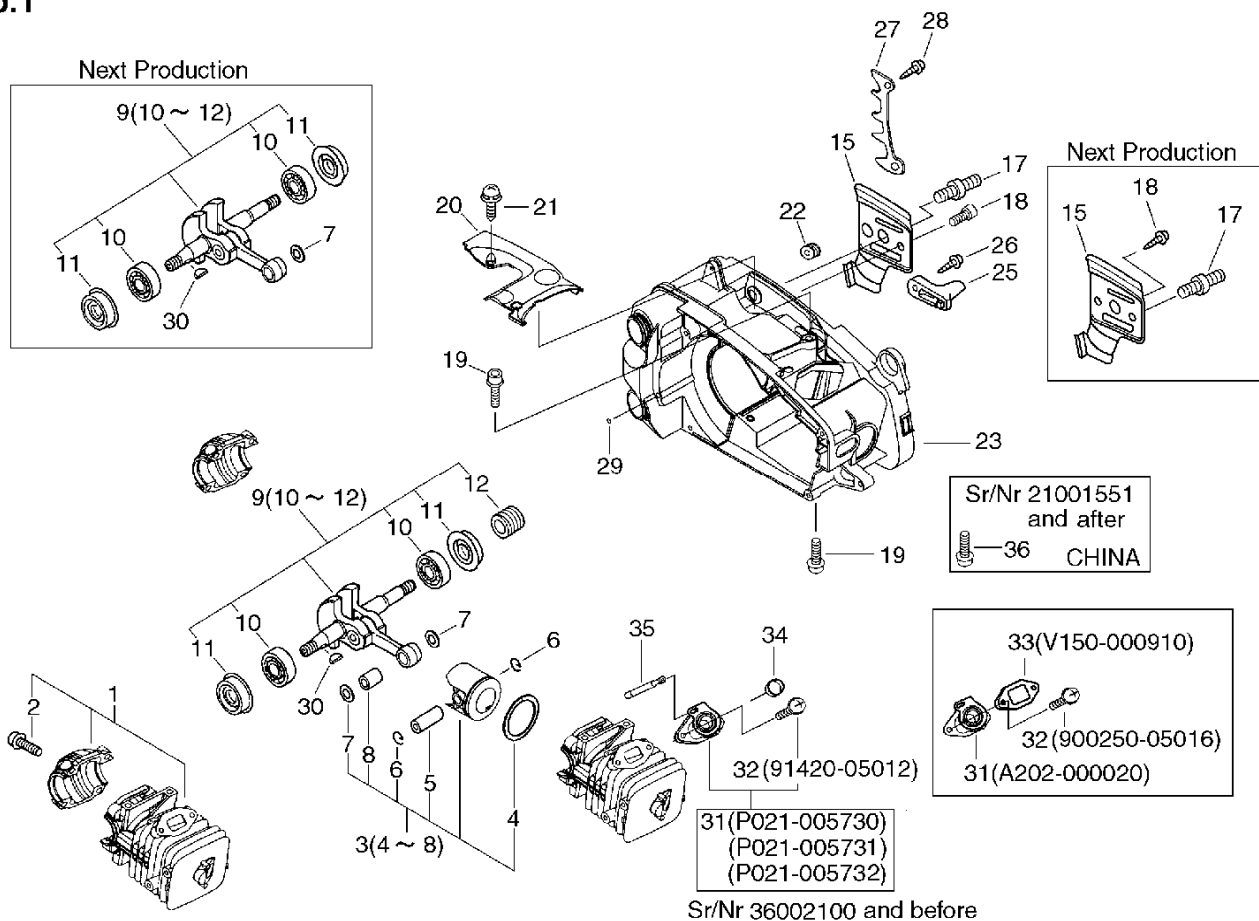
CS-350T



CS-350T

1. Cylinder, Crankcase, Piston

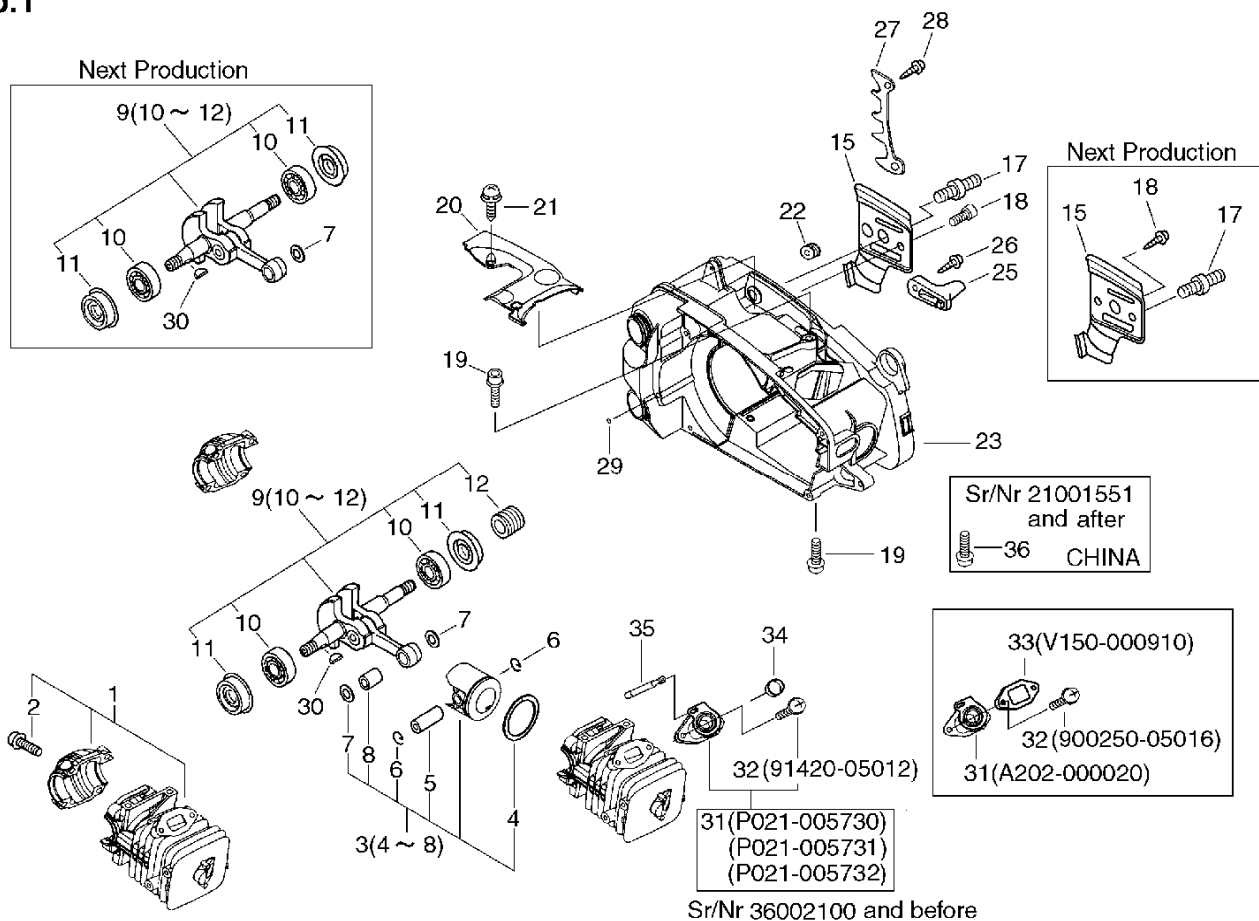
No.1



KEY	LV	PART NUMBER	Q'TY	DESCRIPTION	REMARKS	NOTE1	NOTE2
1		P021-004920	1	CRANKCASE SET		Sus. by P021-009250	
1		P021-004921	1	CRANKCASE SET		Sus. by P021-009250	
1		P021-009250	1	CRANKCASE SET			
2	+	900162-05025	4	BOLT, H.S. 5*25	5*25 W,SW		
3		P021-004930	1	PISTON KIT		Sus. by P021-009230	
3		P021-004931	1	PISTON KIT		Sus. by P021-009230	
3		P021-004932	1	PISTON KIT		Sus. by P021-009230	
3		P021-009230	1	PISTON KIT			
4	+	A101-000060	1	RING,PISTON		Sus. by A101-000120	
4	+	100011-13330	1	RING, PISTON		Sus. by A101-000120	
4	+	A101-000120	1	RING,PISTON	BF R0.2		
5	+	100013-15330	1	PIN, PISTON	5.5*8*29		
6	+	100015-04630	2	CIRCLIP, PISTON PIN			
7	+	100014-60930	2	SPACER, PISTON PIN			
8	+	V553-000040	1	BEARING,NEEDLE 8	8E-KV8X11X11.8XS		
9		P021-004940	1	CRANKSHAFT ASY		Sus. by P021-004941	

1. Cylinder, Crankcase, Piston

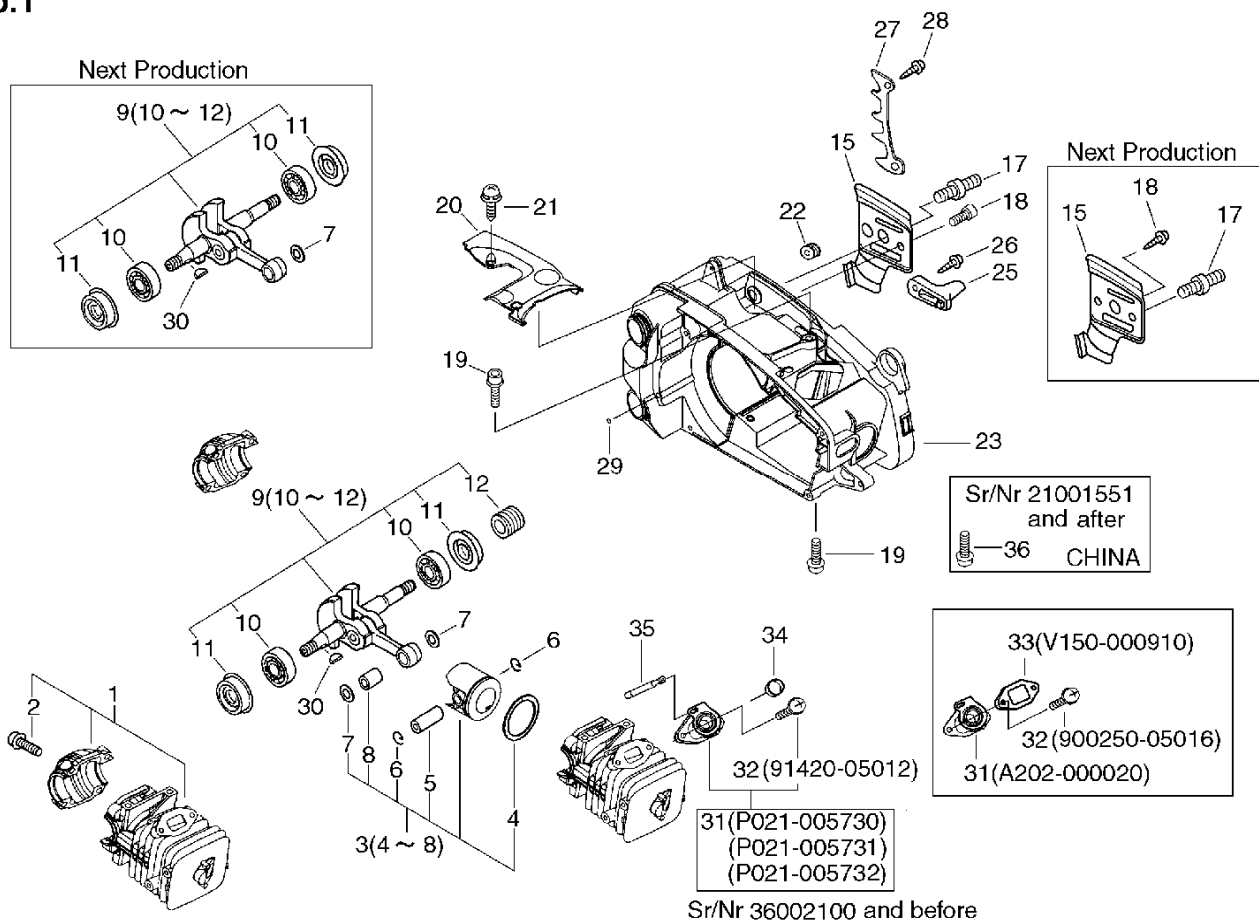
No.1



KEY	LV	PART NUMBER	Q'TY	DESCRIPTION	REMARKS	NOTE1	NOTE2
9		P021-004941	1	CRANKSHAFT ASY		Sr/Nr 21001550 and before,CHINA	
9		P021-005511	1	CRANKSHAFT ASY		Sus. by P021-005512	
9		P021-005512	1	CRANKSHAFT ASY		Sr/Nr 21001551 and after,CHINA	
9		P021-005513	1	CRANKSHAFT ASY		CHINA	
9		P021-004940	1	CRANKSHAFT ASY		Sus. by P021-010701	
9		P021-004941	1	CRANKSHAFT ASY		Sus. by P021-010701	
9		P021-005511	1	CRANKSHAFT ASY		Sus. by P021-010701	
9		P021-005512	1	CRANKSHAFT ASY		Sus. by P021-010701	
9		P021-010700	1	CRANKSHAFT ASY		Sus. by P021-010701	
9		P021-010701	1	CRANKSHAFT ASY			
10	+	94035-36201	2	BEARING BALL	6201X3JR2C3		
11	+	V505-000010	2	SEAL,OIL 12			
12	+	V652-000010	1	GEAR,WORM		Sr/Nr36002100 and before,	

1. Cylinder, Crankcase, Piston

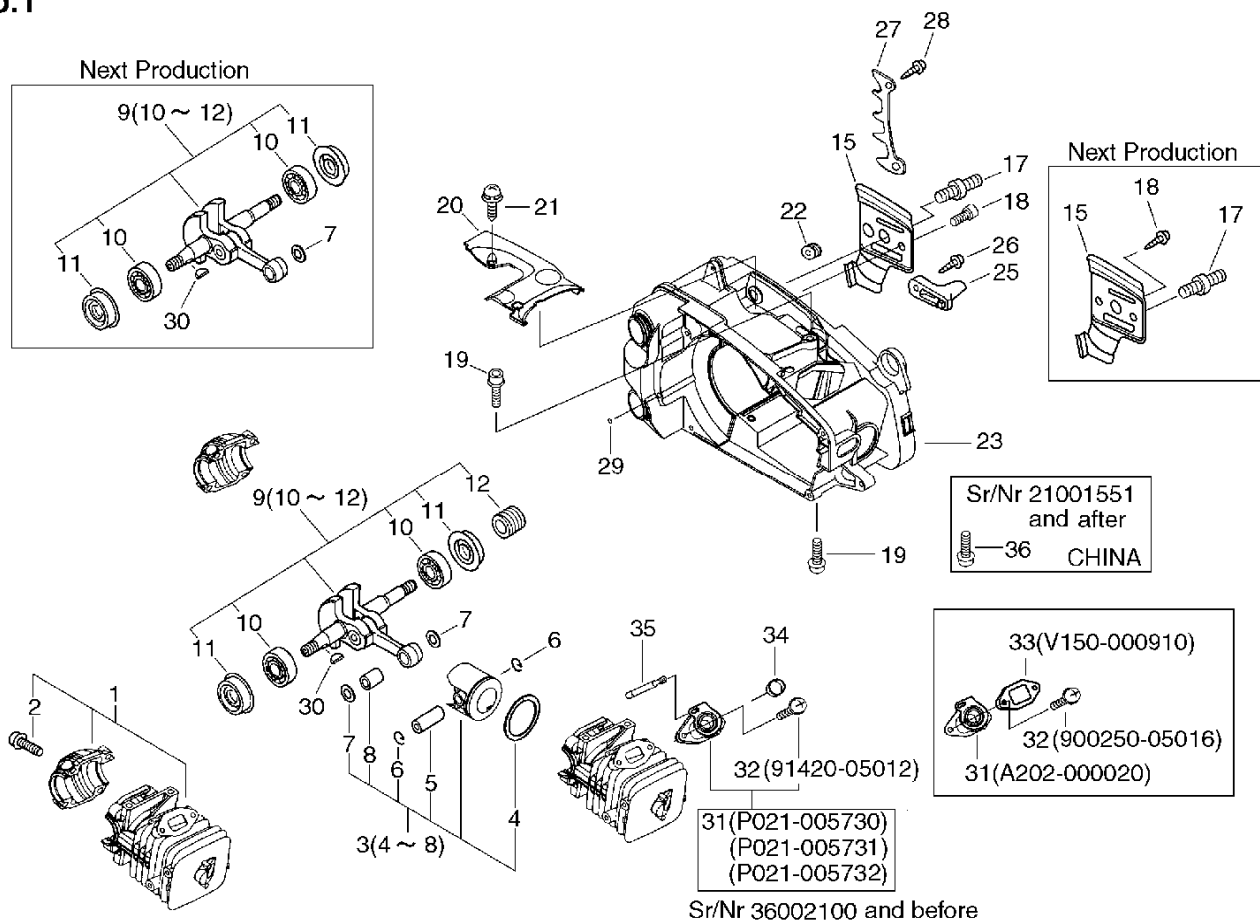
No.1



KEY	LV	PART NUMBER	Q'TY	DESCRIPTION	REMARKS	NOTE1	NOTE2
15		C305-000061	1	PLATE, SPROCKET GUARD		Sr/Nr 21001210 and before, CHINA, Sr/Nr 36002100 and before	
15		C305-000070	1	PLATE, SPROCKET GUARD		Sr/Nr 21001211 and after, CHINA, Sr/Nr 36002101 and after, Sus. by C305-000080	
15		C305-000070	1	PLATE, SPROCKET GUARD		Next Production EU	
15		C305-000080	1	PLATE, SPROCKET GUARD	T0.3		
17		V225-000030	1	BOLT, STUD 8		Sr/Nr 21001210 and before, CHINA, Sr/Nr 36002100 and before	
17		433011-03931	1	STUD, GUIDE BAR		Sr/Nr 21001211 and after, CHINA, Sr/Nr 36002101 and after	
17		433011-03931	2	STUD, GUIDE BAR		Next Production	

1. Cylinder, Crankcase, Piston

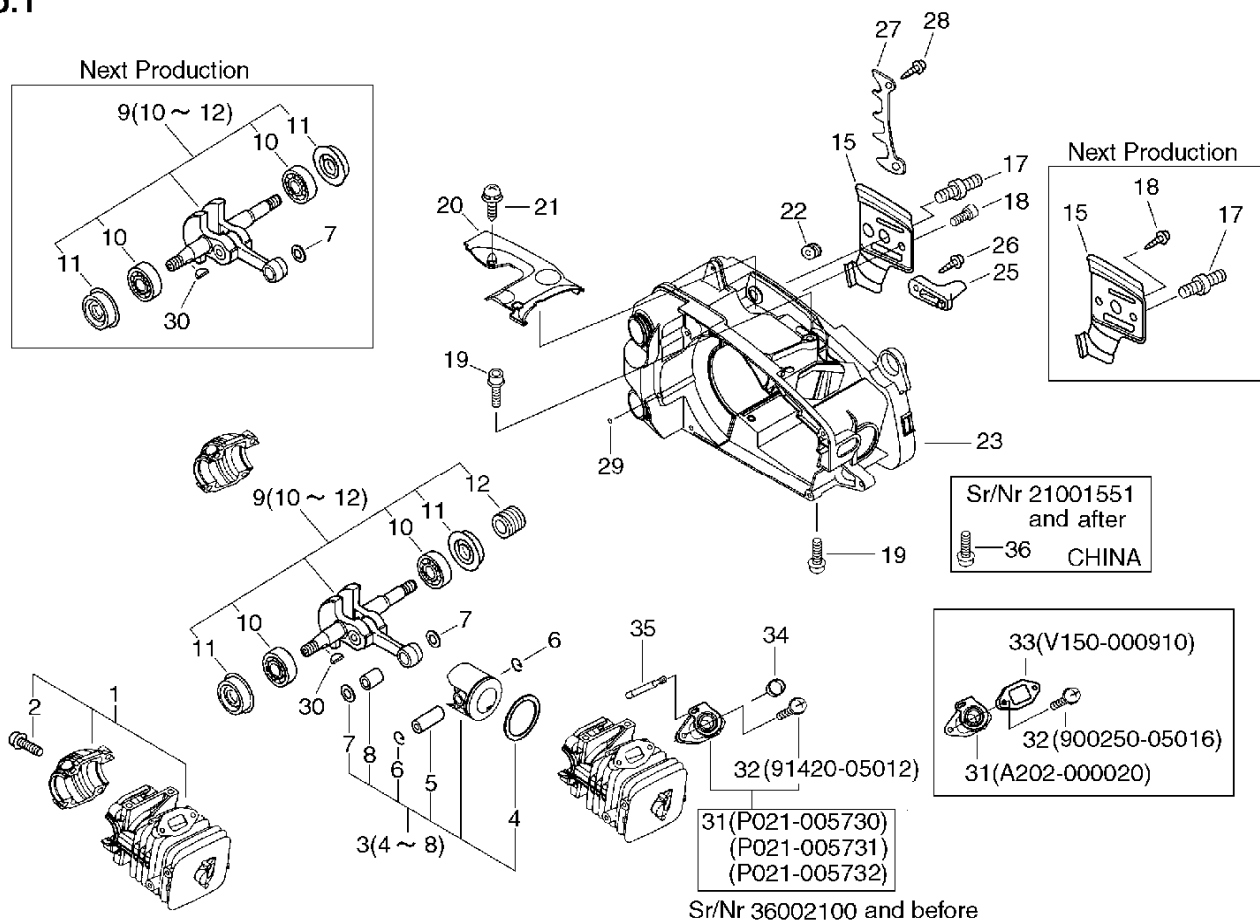
No.1



KEY	LV	PART NUMBER	Q'TY	DESCRIPTION	REMARKS	NOTE1	NOTE2
18		V202-000010	1	BOLT,4			Sus. by V202-000011 Q'ty:2
18		V202-000011	1	BOLT,4	4*12		Sus. by V202-000011 Q'ty:2, Sr/Nr 21001210 and before, Sr/Nr 36002100 and before
18		V202-000011	2	BOLT,4	4*12		Next Production
18		900253-04010	1	SCREW 4*10	4*10		Next Production
19		900106-05020	4	BOLT, H.S. 5*20	5*20		Sr/Nr 21001550 and before,CHINA
19		900106-05020	2	BOLT, H.S. 5*20	5*20		Sr/Nr 21001551 and after,CHINA
20		A127-000050	1	COVER,DUST			
21		900253-04012	2	SCREW	4*12		
22		163911-30130	1	PLUG			
23		P021-004980	1	COVER ENGINE			Sus. by P021-008898

1. Cylinder, Crankcase, Piston

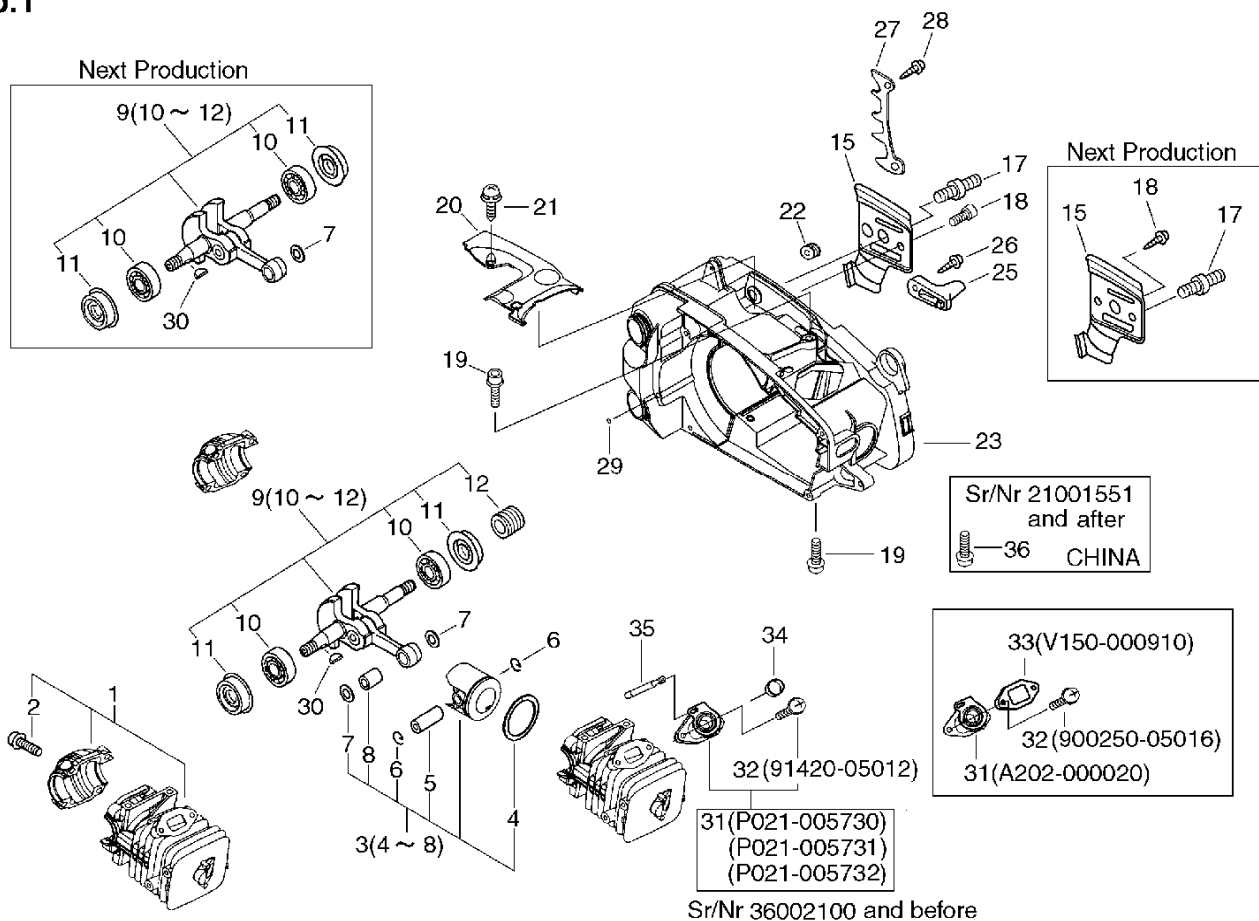
No.1



KEY	LV	PART NUMBER	Q'TY	DESCRIPTION	REMARKS	NOTE1	NOTE2
23		P021-004981	1	COVER ENGINE		Sus. by P021-008898	
23		P021-004982	1	COVER ENGINE		Sus. by P021-008898	
23		P021-004983	1	COVER ENGINE		Sus. by P021-008898	
23		P021-004984	1	COVER ENGINE		Sus. by P021-008898	
23		P021-004985	1	COVER ENGINE		Sus. by P021-008898	
23		P021-004986	1	COVER ENGINE		Sus. by P021-008898	
23		P021-004987	1	COVER ENGINE		Sr/Nr 36002100 and befor, Sus. by P021-008898	
23		P021-004988	1	COVER ENGINE		Sr/Nr 21001210 and before, CHINA, Sus. by P021-008898	
23		P021-008670	1	COVER ENGINE		Sus. by P021-008671, CHINA	

1. Cylinder, Crankcase, Piston

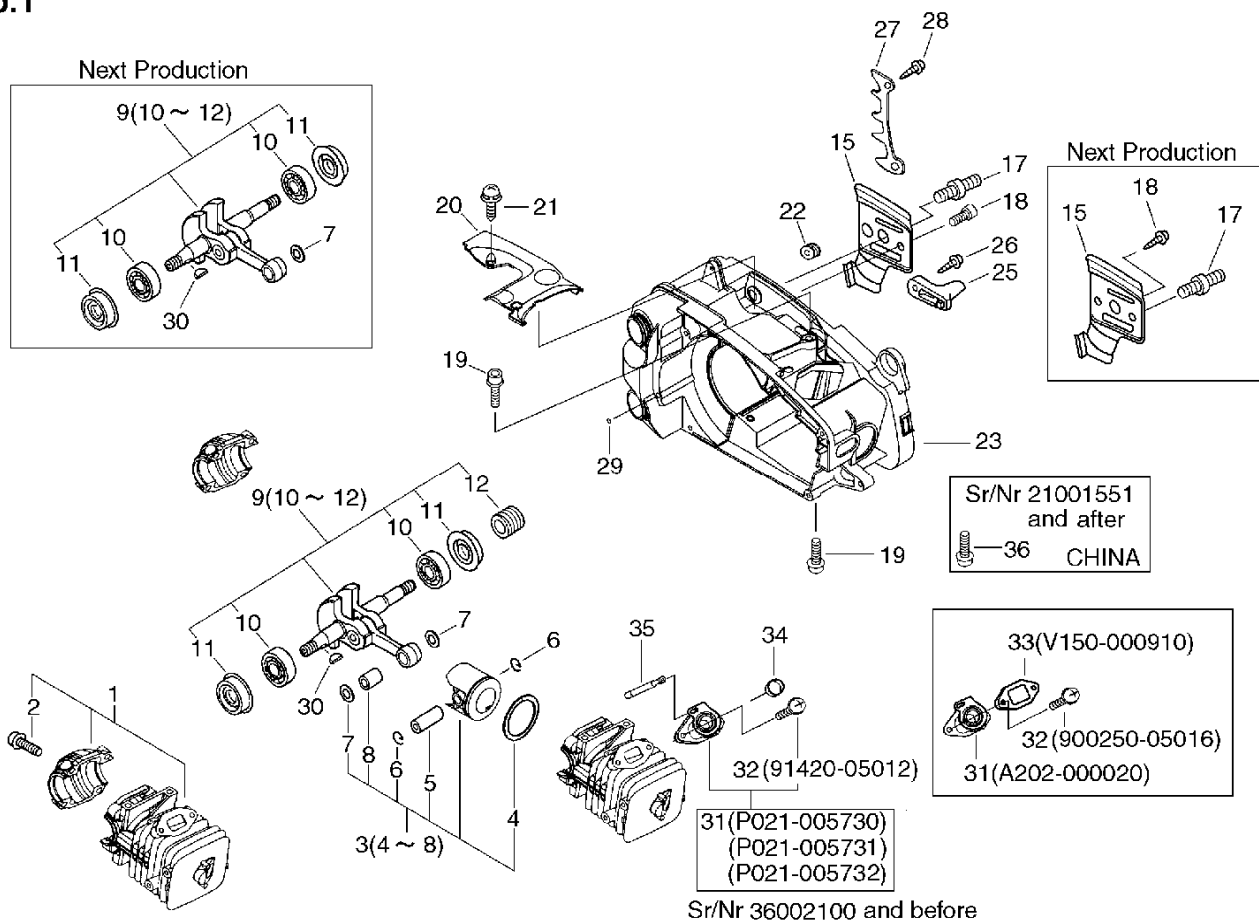
No.1



KEY	LV	PART NUMBER	Q'TY	DESCRIPTION	REMARKS	NOTE1	NOTE2
23		P021-008671	1	COVER,ENGINE			Sr/Nr 21001211 to 21001550,CHINA, Sus. by P021-008672
23		P021-008672	1	COVER,ENGINE			Sus. by P021-008676,CHINA
23		P021-008673	1	COVER,ENGINE			Sus. by P021-008674,CHINA
23		P021-008674	1	COVER,ENGINE KIT			Sus. by P021-008675,CHINA
23		P021-008675	1	COVER,ENGINE KIT			Sr/Nr 21001551 and after,CHINA, Sus. by P021-008676
23		P021-008676	1	COVER,ENGINE KIT			
25		433026-35430	1	CATCHER, CHAIN			
26		900253-05020	1	SCREW 5*20	5*20		
27		C304-000000	1	SPIKE			
28		900253-05020	1	SCREW 5*20	5*20		
29		900724-00004	1	O-RING (S-4)	S-4		
30		100142-12330	1	KEY, WOODRUFF			
31		A202-000020	1	BELLOWS,INTAKE			Sr/Nr 35005740 and before
31		P021-005730	1	BELLOWS,INTAKE KIT			Sr/Nr 36002100 and before

1. Cylinder, Crankcase, Piston

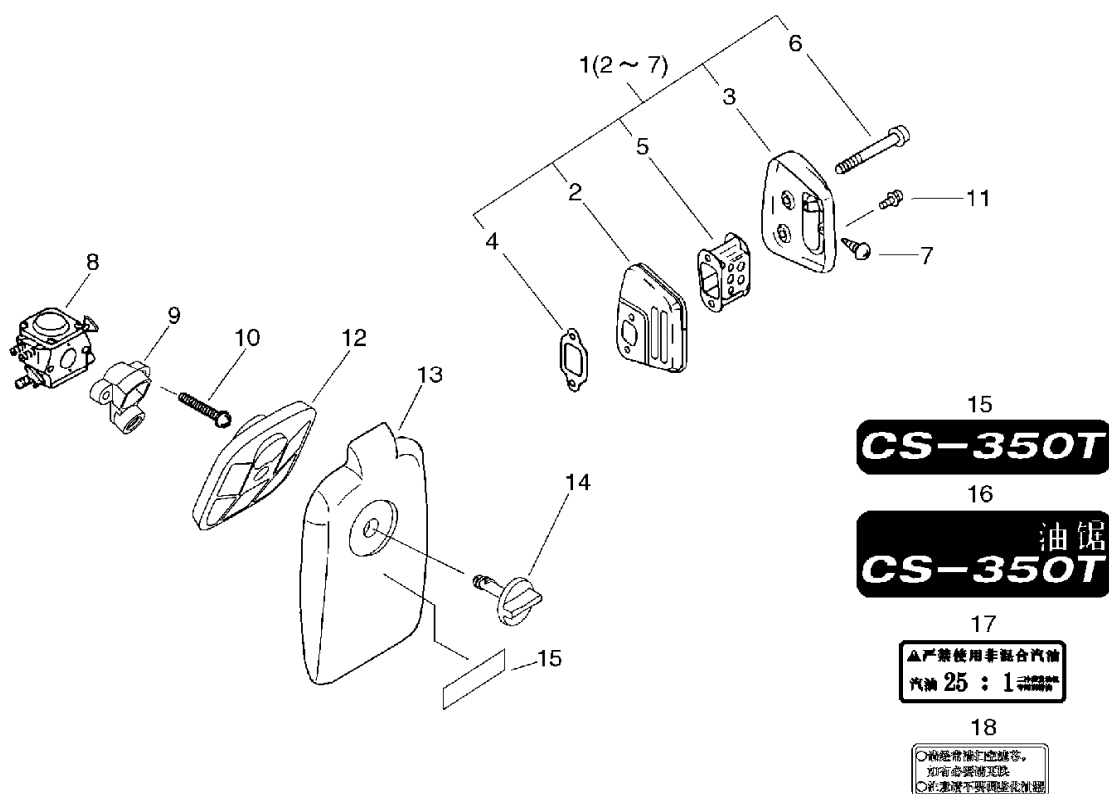
No.1



KEY	LV	PART NUMBER	Q'TY	DESCRIPTION	REMARKS	NOTE1	NOTE2
31		P021-005731	1	BELLOWS,INTAKE KIT		Sr/Nr 36002100 and before	
31		P021-005732	1	BELLOWS,INTAKE KIT		Sr/Nr 36002100 and before	
32	+	91420-05012	1	SCREW	5*12	Can be used on the P021-005730,5731,5732	
32		V150-000910	1	PLATE,EYE		Can be used on the A202-000020 only	
32		900250-05016	2	SCREW 5*16	5*16	Can be used on the A202-000020 only	
34		V359-000060	1	COLLAR,16			
35		V470-000480	1	PIPE			
36		900106-05030	2	BOLT, H.S.H. 5*30	5*30	Sr/Nr 21001551 and after,CHINA	

2. Air Cleaner, Muffler

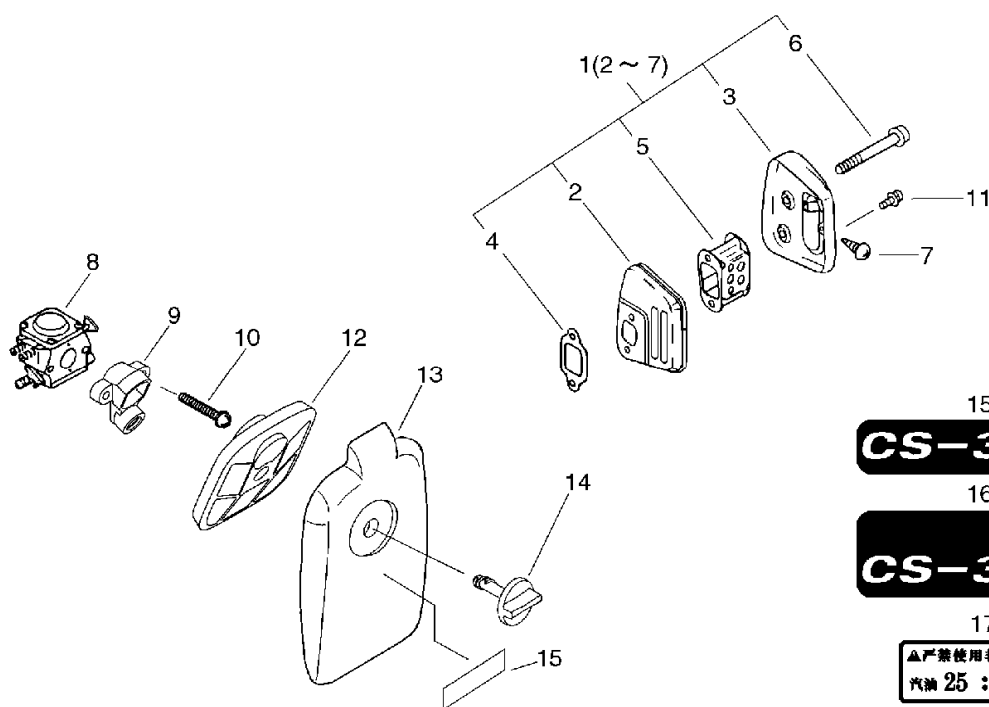
No.2



KEY	LV	PART NUMBER	Q'TY	DESCRIPTION	REMARKS	NOTE1	NOTE2
1		P021-004950	1	MUFFLER ASY		Sus. by P021-004951	
1		P021-004951	1	MUFFLER ASY			
2	+	A300-000370	1	MUFFLER,EXHAUST			
3	+	A303-000040	1	LID,MUFFLER		Sus. by A303-000090	
3	+	A303-000041	1	LID,MUFFLER		Sus. by A303-000090	
3	+	A303-000090	1	LID,MUFFLER			
4	+	145510-13931	1	GASKET, MUFFLER			
5	+	A301-000000	1	PLATE,MUFFLER			
6	+	91107-05040	2	BOLT HSH FLANGE	5*40		
7	+	900250-04008	1	SCREW 4*8	4*8		
8		A021-000580	1	CARBURETOR,DIAPHRAGM	WT-622	Sr/Nr 35002650 and before	
8		A021-000581	1	CARBURETOR,DIAPHRAGM	WT-622A CHOKE3.3	Sr/Nr 35002651 to 35009440	
8		A021-000582	1	CARBURETOR,DIAPHRAGM	WT-622	Sr/Nr 35009441 to 35016425	
8		A021-000850	1	CARBURETOR,DIAPHRAGM	WT-699	Sr/Nr 36001001 and after	
8		A021-000582	1	CARBURETOR,DIAPHRAGM	WT-622	Sus. by A021-001181,CHINA	

2. Air Cleaner, Muffler

No.2



15
CS-350T

16
油锯
CS-350T

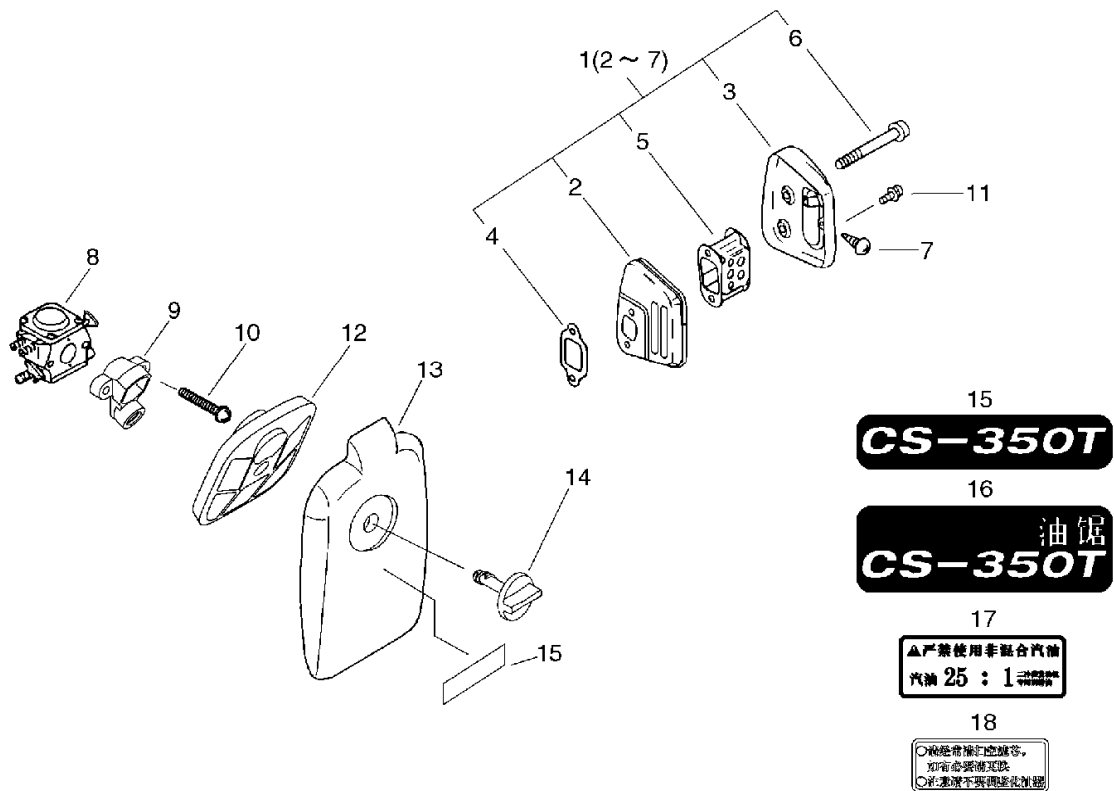
17
▲严禁使用非混合汽油
汽油 25 : 1

18
○ 经常检查空气滤清器。
如有必要请清洗。
○ 清洗时不要损坏滤清器。

KEY	LV	PART NUMBER	Q'TY	DESCRIPTION	REMARKS	NOTE1	NOTE2
8		A021-000583	1	CARBURETOR,DIAPHRAGM		Sus. by A021-001181,CHINA	
8		A021-001180	1	CARBURETOR,DIAPHRAGM		Sus. by A021-001181,CHINA	
8		A021-000850	1	CARBURETOR,DIAPHRAGM	WT-699	Sus. by A021-000851	
8		A021-000851	1	CARBURETOR,DIAPHRAGM	WT-699A	Sus. by A021-000861	
8		A021-000861	1	CARBURETOR,DIAPHRAGM	WT-698A	Sus. by A021-000862	
8		A021-000862	1	CARBURETOR,DIAPHRAGM	WT-698A		
8		A021-001181	1	CARBURETOR,DIAPHRAGM	WT-782A	CHINA	
9		A204-000040	1	ELBOW,CARBURETOR		Sus. by A204-000041	
9		A204-000041	1	ELBOW,CARBURETOR			
10		900238-05050	2	SCREW 5*50	5*50		
11		900220-04006	1	SCREW 4*6	4*6		
12		A226-000180	1	ELEMENT,AIR FILTER			
12		A226-000290	1	ELEMENT,AIR FILTER		Sus. by A226-000291	
12		A226-000291	1	ELEMENT,AIR FILTER		CHINA	
13		A232-000160	1	LID,CLEANER			
14		A235-000040	1	KNOB,CLEANER LID			
15		X503-004160	1	LABEL,MODEL			
16		X503-005630	1	LABEL,MODEL	CS-350T CHINA	CHINA	

2. Air Cleaner, Muffler

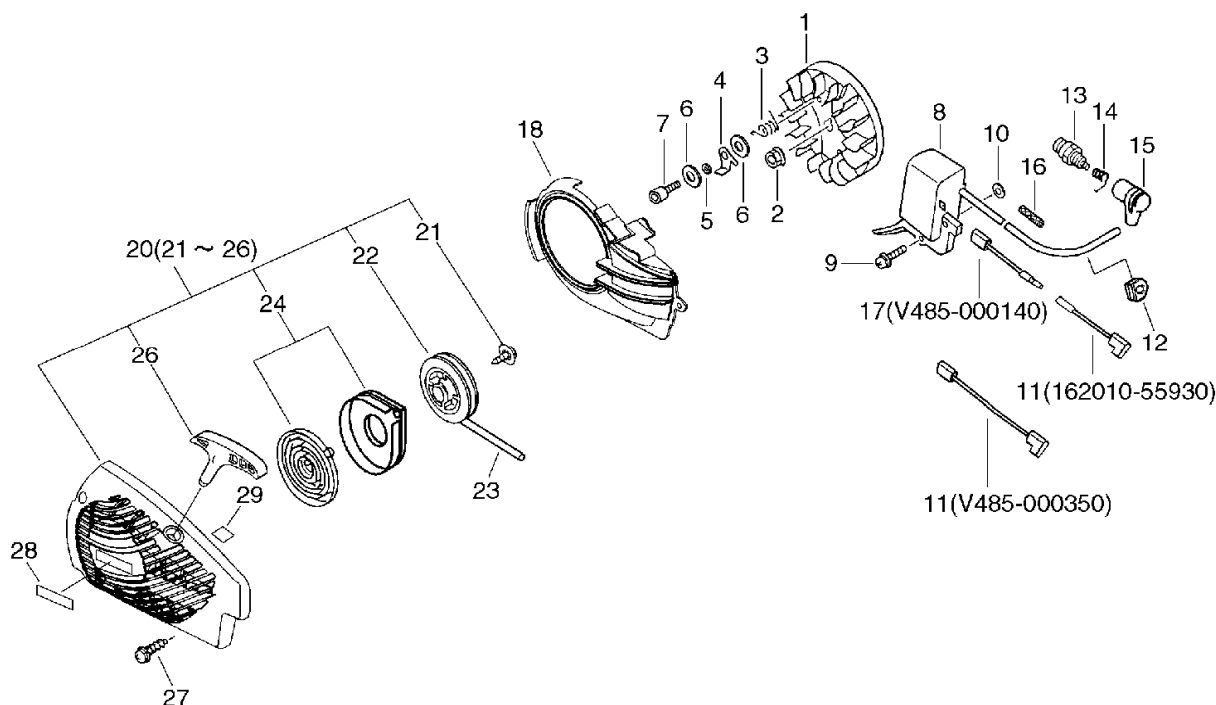
No.2



KEY	LV	PART NUMBER	Q'TY	DESCRIPTION	REMARKS	NOTE1	NOTE2
17		X505-001350	1	LABEL,CAUTION		CHINA	
18		X505-001340	1	LABEL,CAUTION		CHINA	

3. Starter, Magneto

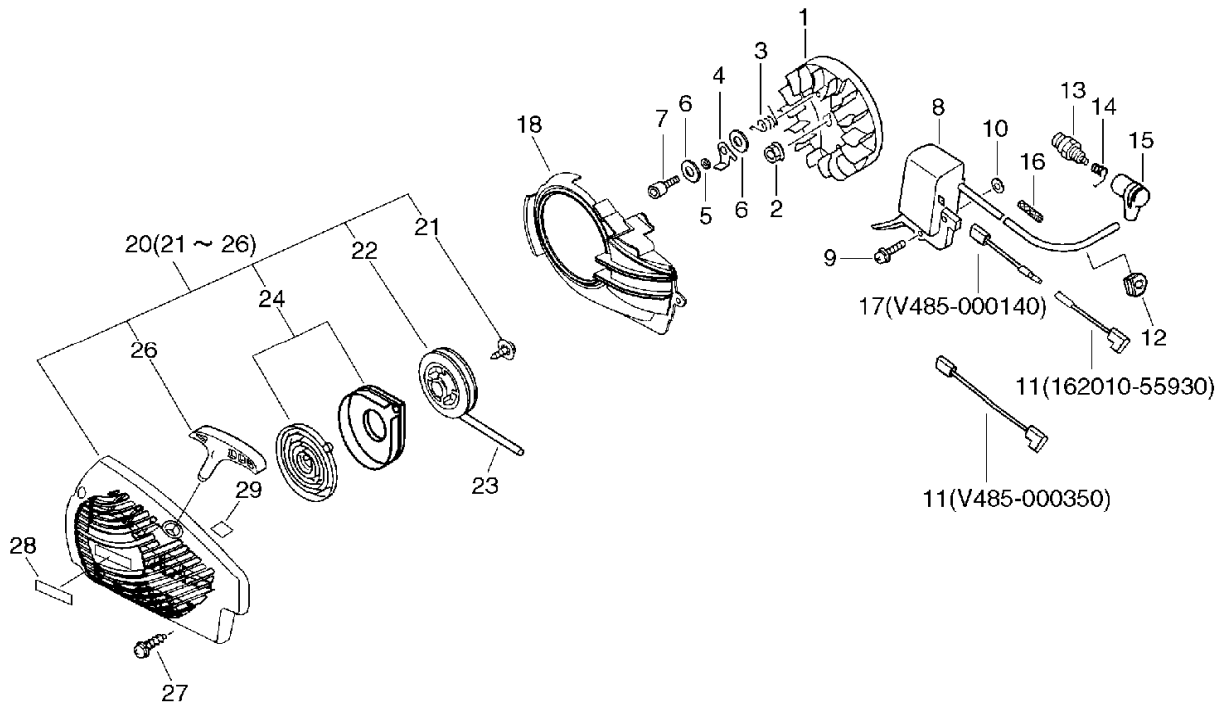
No.3



KEY	LV	PART NUMBER	Q'TY	DESCRIPTION	REMARKS	NOTE1	NOTE2
1		A409-000170	1	ROTOR,MAGNETO			
2		900515-00008	1	NUT, FLANGE 8	8		
3		177234-35430	2	SPRING, RETURN			
4		A514-000000	2	PAWL			
5		177247-04630	2	SPACER, RATCHET	5.2*8*2.1		
6		900603-00005	4	WASHER 5	5.5*12*0.8		
7		900105-05014	2	BOLT, H.S. 5*14	5*14	Sus. by V203-000090	
7		V203-000090	2	BOLT,5	M5*14		
8		A411-000150	1	COIL,IGNITION			
9		900238-05022	2	SCREW 5*22	5*22		
10		150117-16430	2	SPACER			
11		V485-000350	1	LEAD		Sr/Nr 35005740 and before	
11		162010-55930	1	LEARD, GROUND	235L	Sr/Nr 35005741 and after	
12		156110-04920	1	BUSHING			
13		159010-10230	1	PLUG, SPARK (BPMR-7A)	BPMR-7A		
14		A426-000010	1	TERMINAL,SPARKPLUG			
15		A427-000010	1	CAP,SPARK PLUG		Sus. by A427-000012	
15		A427-000011	1	CAP,SPARK PLUG		Sus. by A427-000012	
15		A427-000012	1	CAP,SPARK PLUG			

3. Starter, Magneto

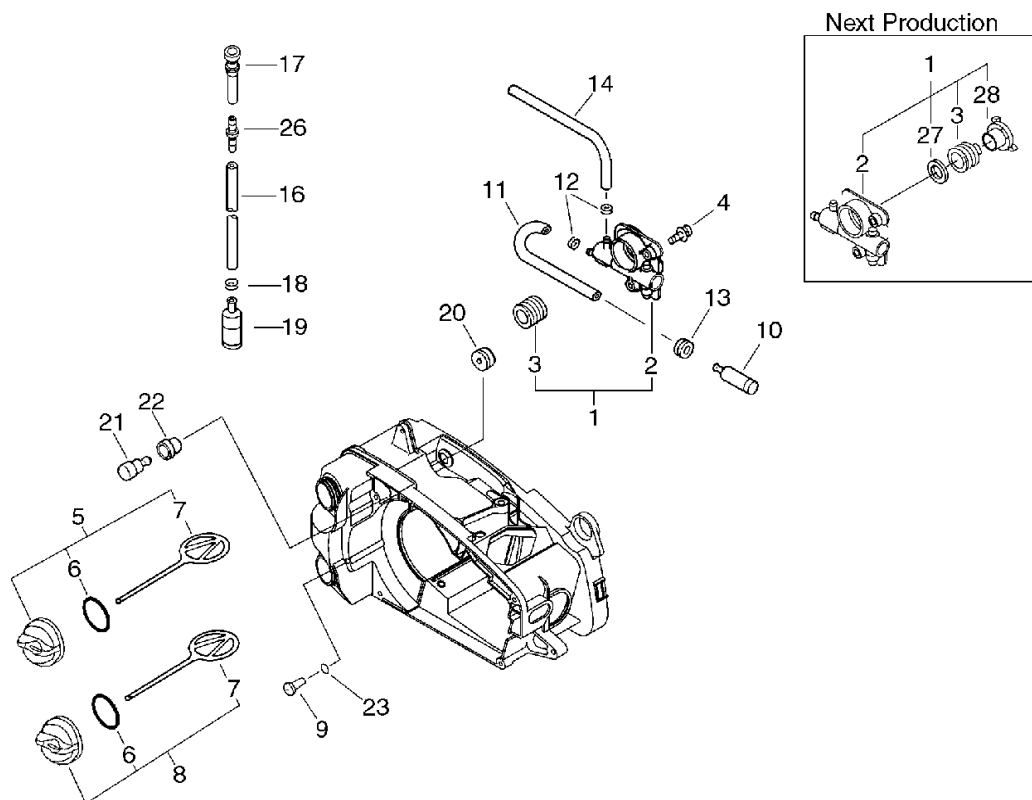
No.3



KEY	LV	PART NUMBER	Q'TY	DESCRIPTION	REMARKS	NOTE1	NOTE2
16		V475-002390	1	TUBE		Sr/Nr 21001300 and before,CHINA	
16		V475-002390	1	TUBE		Sr/Nr 21001301 and after,CHINA	
18		A172-000360	1	COVER,FAN		Sus. by A172-000361	
18		A172-000361	1	COVER,FAN			
20		A051-000540	1	STARTER,RECOIL			
21	+	177236-44330	1	SCREW			
22	+	P022-005870	1	DRUM, STARTER			
23	+	P022-005900	1	ROPE, STARTER	3.0*920		
24	+	P022-001330	1	SPRING KIT, REWIND			
26	+	P022-005890	1	GRIP, STARTER			
27		900256-04016	4	SCREW 4*16	4*16		
28		X502-000020	1	LABEL,ECHO			
29		X505-000180	1	LABEL,CAUTION			

4. Auto-Oiler

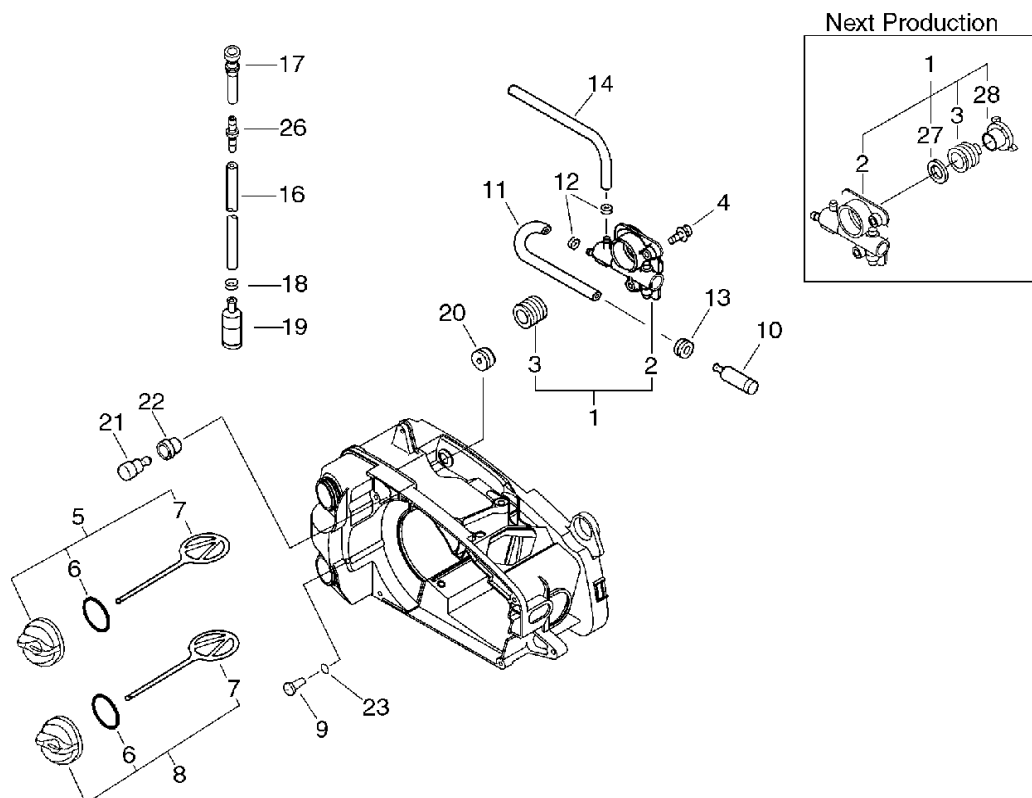
No.4



KEY	LV	PART NUMBER	Q'TY	DESCRIPTION	REMARKS	NOTE1	NOTE2
1		P021-001980	1	AUTO-OILER ASY			
2	+	C022-000000	1	OILER,ASM AUTO		Sus. by C022-000020	
2	+	C022-000020	1	AUTO-OILER ASSEMBLY			
3	+	V652-000010	1	GEAR,WORM		Next Production	
27		V308-000030	1	WASHER,CIRCULAR 11	10.5*17.4*1.8	Next Production	
28		V356-000290	1	COLLAR,10		Next Production	
4		900238-04012	2	SCREW 4*12	4*12		
5		P021-001991	1	FUEL CAP ASY		Sus. by P021-005591	
5		P021-005590	1	FUEL CAP ASY		Sus. by P021-005591	
5		P021-005591	1	CAP ASY			
6	+	900720-00018	1	O-RING 18	P-18		
7	+	131051-19830	1	LINK	60L	Sus. by A365-000050	
7	+	A365-000050	1	CONNECTOR,CAP			
8		P021-002001	1	OIL CAP ASY		Sus. by P021-005581	
8		P021-005580	1	OIL CAP ASY		Sus. by P021-005581	
8		P021-005581	1	OIL CAP ASY			
6	+	900720-00018	1	O-RING 18	P-18		

4. Auto-Oiler

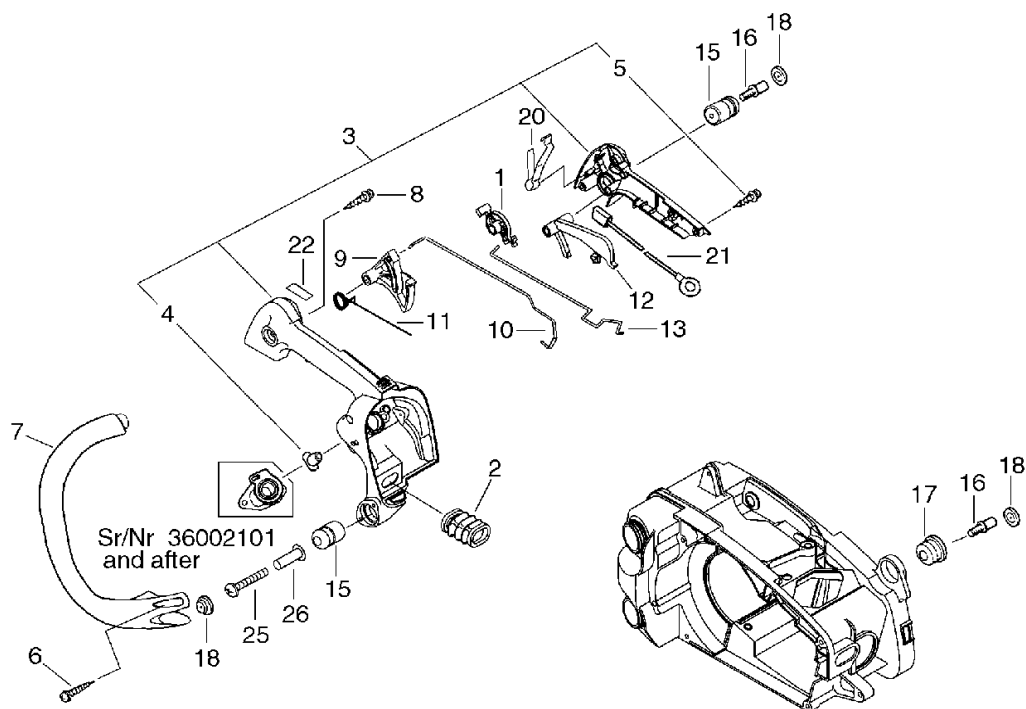
No.4



KEY	LV	PART NUMBER	Q'TY	DESCRIPTION	REMARKS	NOTE1	NOTE2
7	+	131051-19830	1	LINK	60L	Sus. by A365-000050	
7	+	A365-000050	1	CONNECTOR,CAP			
9		436114-13930	1	VALVE, CHECK			
10		436205-02832	1	STRAINER, OIL			
11		V471-000740	1	PIPE			
12		132013-26630	1	CLIP	6.5MM	Sus. by 132013-26630 Q'ty:2	
12		132013-26630	2	CLIP	6.5MM		
13		132115-01461	1	GROMMET			
14		V471-000760	1	PIPE			
16		V471-000750	1	PIPE			
17		V470-000320	1	PIPE			
18		132013-09820	1	CLIP	6MM		
19		131205-14930	1	STRAINER,FUEL			
20		V137-000020	1	GROMMET,FUEL			
21		131300-56430	1	VALVE, CHECK			
22		V137-000000	1	GROMMET,FUEL			
23		900724-00004	1	O-RING (S-4)	S-4	Sr/Nr 21001551 and after,CHINA	
26		V186-000020	1	JOINT,PIPE			

5. Handle

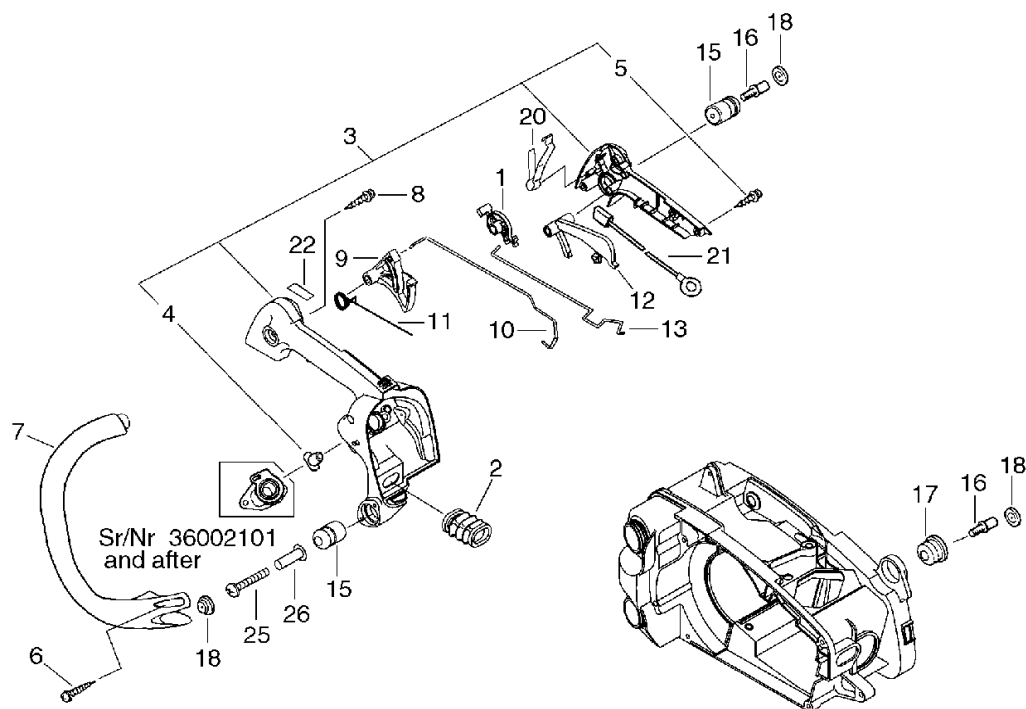
No.5



KEY	LV	PART NUMBER	Q'TY	DESCRIPTION	REMARKS	NOTE1	NOTE2
1		A253-000040	1	LEVER,CONTROL		Sus. by A253-000043	
1		A253-000041	1	LEVER,CONTROL		Sus. by A253-000043	
1		A253-000042	1	LEVER,CONTROL		Sus. by A253-000043	
1		A253-000043	1	LEVER,CONTROL			
2		A239-000000	1	PIPE,INTAKE			
3		P021-004960	1	HANDLE SET, REAR		Sr/Nr 36002100 and before	
3		P021-004961	1	HANDLE SET, REAR		Sr/Nr 36002100 and before	
3		P021-004962	1	HANDLE SET, REAR		Sr/Nr 36002100 and before	
3		P021-004963	1	HANDLE SET, REAR		Sr/Nr 36002100 and before	
3		P021-004964	1	HANDLE SET, REAR		Sr/Nr 36002100 and before	
3		P021-004965	1	HANDLE SET, REAR		Sr/Nr 36002100 and before	
3		P021-004966	1	HANDLE SET, REAR		Sr/Nr 36002100 and before	
3		P021-004967	1	HANDLE SET, REAR		Sr/Nr 36002100 and before	
3		P021-004968	1	HANDLE SET, REAR		Sr/Nr 36002100 and before	

5. Handle

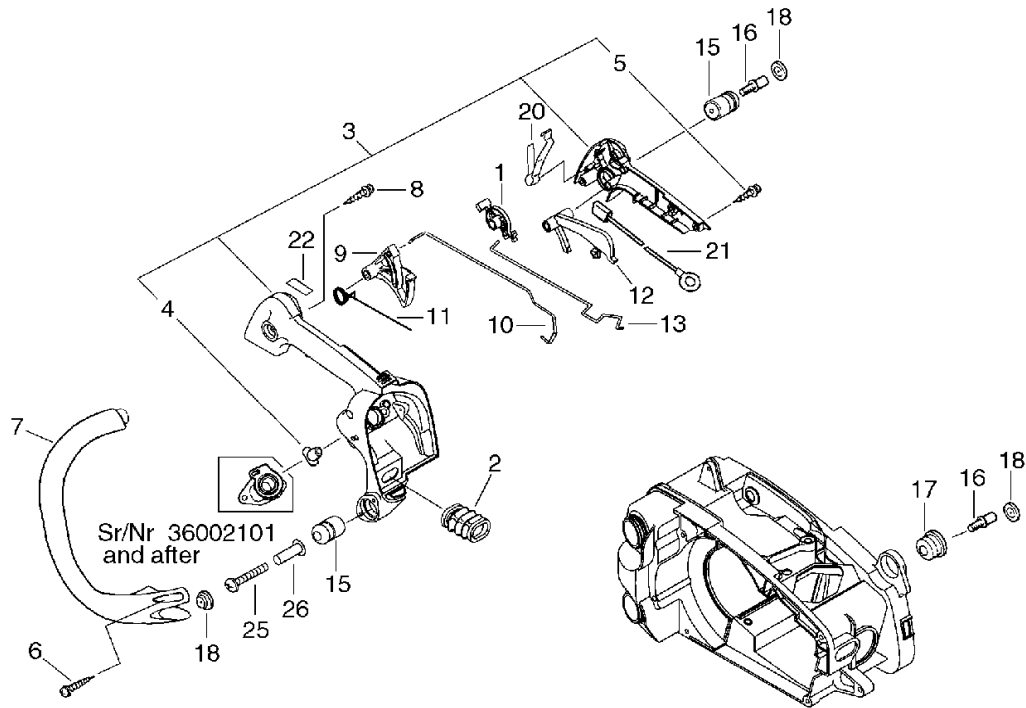
No.5



KEY	LV	PART NUMBER	Q'TY	DESCRIPTION	REMARKS	NOTE1	NOTE2
3		P021-004969	1	HANDLE SET, REAR		Sr/Nr 36002100 and before	
3		P021-011510	1	HANDLE, REAR		Sr/Nr 36002101 and after	
27		A202-000032	1	BELLOWS,INTAKE		Sr/Nr 36002101 and after	
4	+	130020-33330	2	NUT			
5	+	900256-04016	4	SCREW 4*16	4*16		
6		900256-04016	2	SCREW 4*16	4*16		
7		C400-000160	1	HANDLE,FRONT			
8		900253-05020	1	SCREW 5*20	5*20		
9		C450-000010	1	TRIGGER,THROTTLE			
10		C454-000070	1	ROD,THROTTLE			
11		V452-000010	1	SPRING,TORSION			
12		C460-000000	1	LOCKOUT,THROTTLE		Sus. by C460- 000002	
12		C460-000001	1	LOCKOUT,THROTTLE			
13		A240-000000	1	ROD,CHOKE		Sus. by A240- 000010	
13		A240-000001	1	ROD,CHOKE		Sus. by A240- 000010	
13		A240-000010	1	ROD,CHOKE			
15		V400-000020	2	CUSHION,4		Sus. by V400- 000021	
15		V400-000021	2	CUSHION,4			

5. Handle

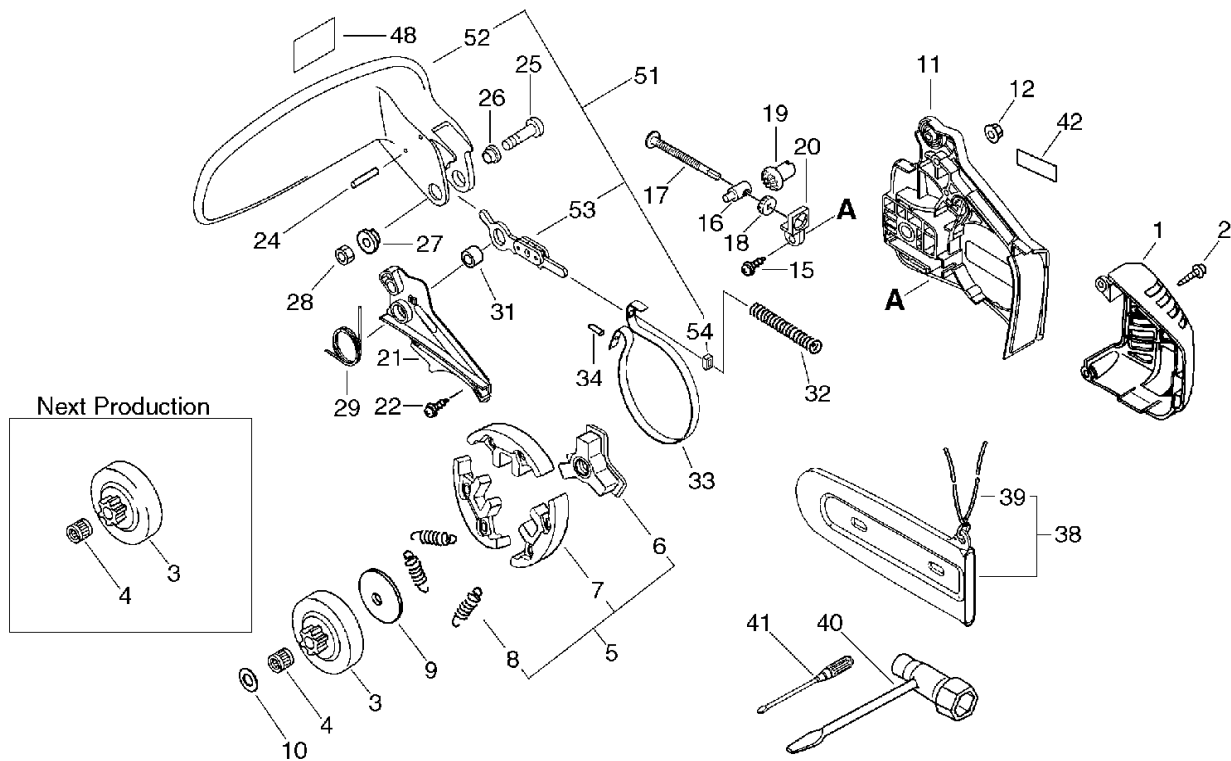
No.5



KEY	LV	PART NUMBER	Q'TY	DESCRIPTION	REMARKS	NOTE1	NOTE2
16		V202-000000	3	BOLT,4		Sr/Nr 35010240 and before	
16		V202-000000	2	BOLT,4		Sr/Nr 35010241 and after	
17		100910-18830	1	CUSHION			
18		100918-15130	3	CAP			
20		V486-000010	1	TERMINAL,LEAD			
21		V485-000340	1	LEAD			
22		X524-000910	1	LABEL			
25		V352-000020	1	COLLAR,4		Sr/Nr 35010241 and after	
26		91481-04035	1	SCREW TAPPING		Sr/Nr 35010241 and after	

6. Clutch, Sprocket, Tools

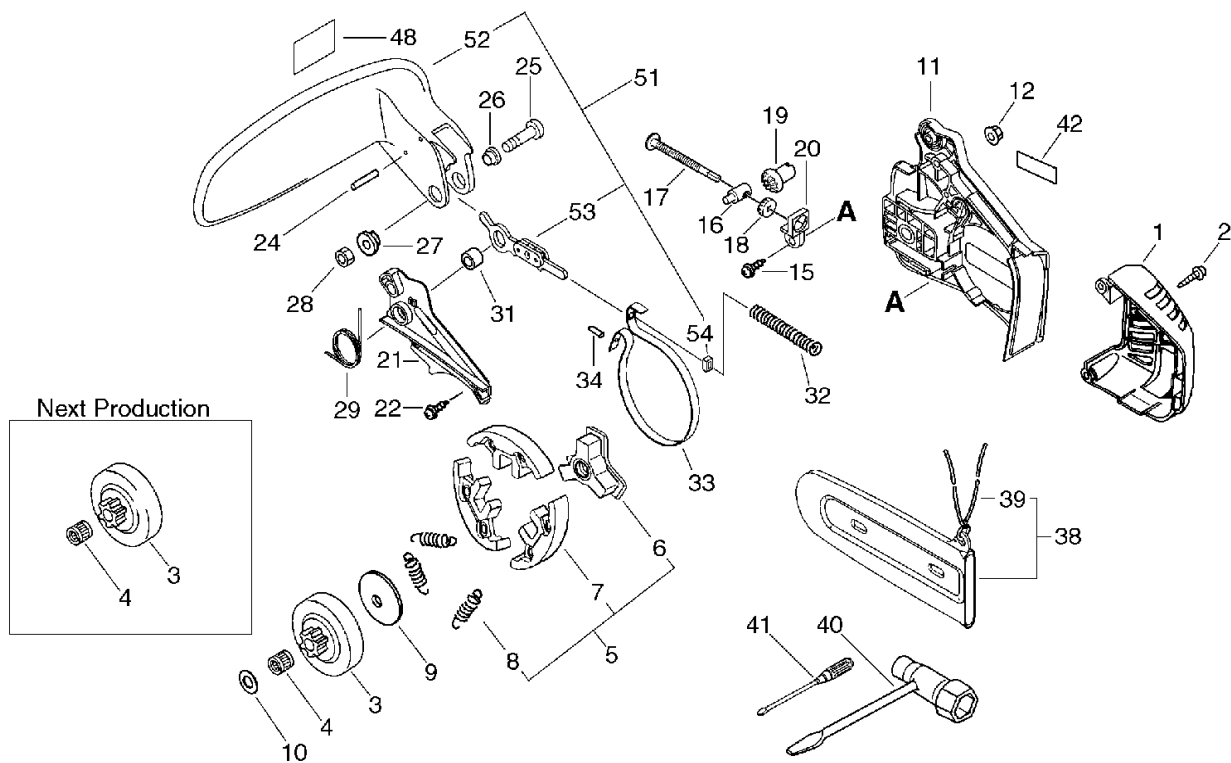
No.6



KEY	LV	PART NUMBER	Q'TY	DESCRIPTION	REMARKS	NOTE1	NOTE2
1		A320-000180	1	COVER,MUFFLER		Sus. by A320-000183	
1		A320-000181	1	COVER,MUFFLER		Sus. by A320-000183	
1		A320-000182	1	COVER,MUFFLER		Sus. by A320-000183	
1		A320-000183	1	COVER,MUFFLER			
2		900253-04016	2	SCREW 4*16	4*16		
3		175005-39132	1	DRUM, CLUTCH	3/8A		
4		175012-35630	1	BEARING, NEEDLE	10*13*10	Sus. by 175012-00831	
4		175012-00831	1	BEARING, NEEDLE			
5		A056-000070	1	CLUTCH			
6	+	A552-000020	1	HUB,CLUTCH			
7	+	P021-005810	1	CLUTCH SHOE SET			
8	+	V451-000470	3	SPRING,TENSION			
9		A551-000010	1	PLATE,CLUTCH			
10		175014-39130	1	WASHER, CLUTCH	10.2*25*1.2	Sus. by V308-000030	
10		175014-39131	1	WASHER, CLUTCH	10.2*24.5*1.2	Sus. by V308-000030	
10		V308-000030	1	WASHER,CIRCULAR 11	10.5*17.4*1.8	Next Production	
11		C300-000120	1	GUARD,SPROCKET		Sus. by C300-000125	

6. Clutch, Sprocket, Tools

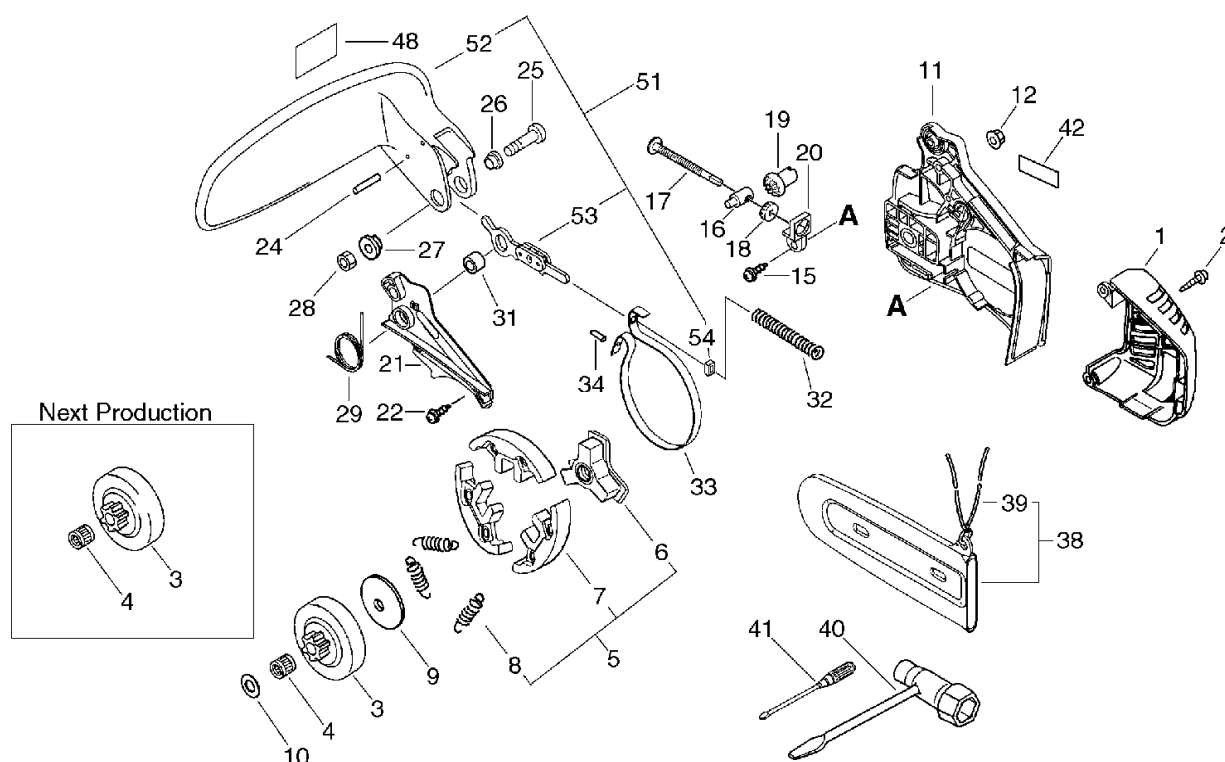
No.6



KEY	LV	PART NUMBER	Q'TY	DESCRIPTION	REMARKS	NOTE1	NOTE2
11		C300-000122	1	GUARD,SPROCKET		Sus. by C300-000125	
11		C300-000124	1	GUARD,SPROCKET		Sus. by C300-000125	
11		C300-000125	1	GUARD,SPROCKET		Sr/Nr 21001210 and before,CHINA, Sr/Nr 36002100 and before	
11		C300-000241	1	GUARD,SPROCKET		Sr/Nr 36002101 and after	
12		433019-12330	1	NUT, FLANGE 8	M-8	Sr/Nr 21001211 and after	
12		433019-03933	1	NUT, FLANGE 6	6	Sr/Nr 21001211 and after,CHINA	
12		433019-03933	1	NUT, FLANGE 6	6	Next Production	
15		900253-04012	1	SCREW	4*12		
16		C309-000030	1	TENSIONER,CHAIN			
17		V203-000041	1	BOLT,5			
18		V651-000011	1	GEAR,BEVEL			
19		V651-000001	1	GEAR,BEVEL			
20		V355-000140	1	COLLAR,8			
21		C345-000080	1	COVER,BRAKE		Sus. by C345-000084	

6. Clutch, Sprocket, Tools

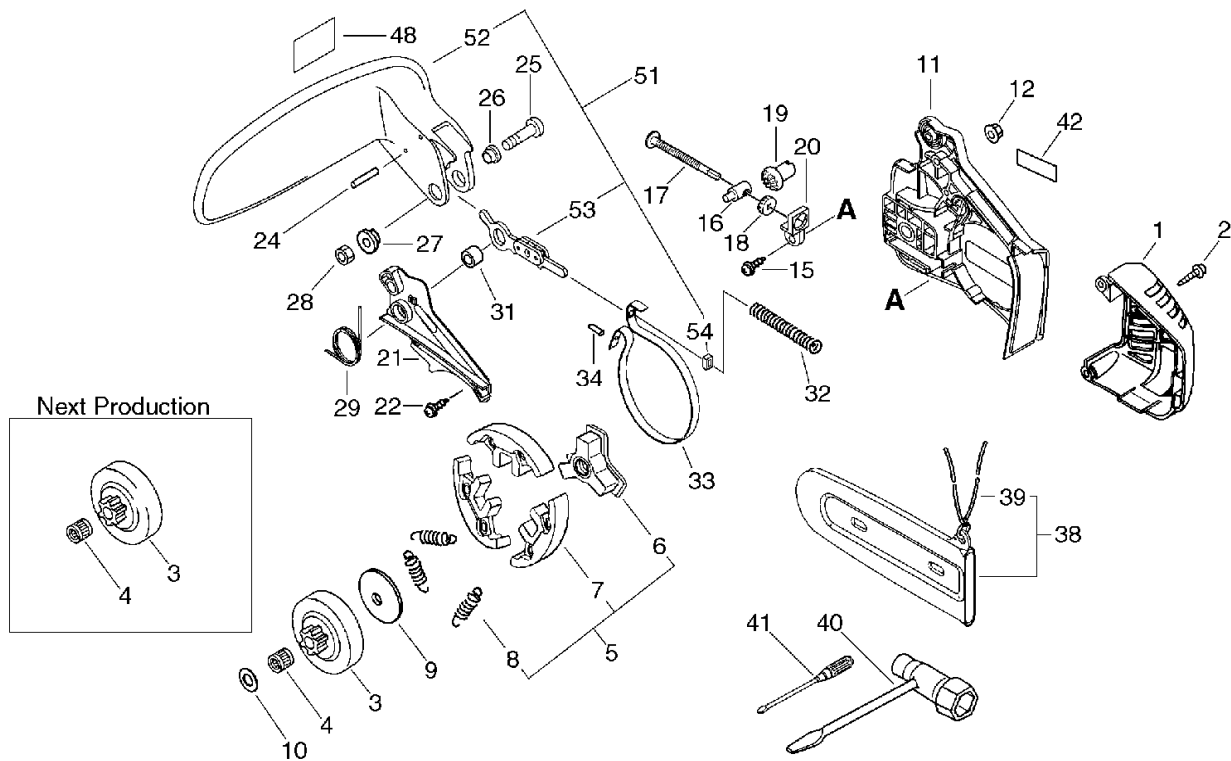
No.6



KEY	LV	PART NUMBER	Q'TY	DESCRIPTION	REMARKS	NOTE1	NOTE2
21		C345-000081	1	COVER,BRAKE			Sus. by C345-000084
21		C345-000082	1	COVER,BRAKE			Sus. by C345-000084
21		C345-000083	1	COVER,BRAKE			Sus. by C345-000084
21		C345-000084	1	COVER,BRAKE			
22		900253-04012	3	SCREW	4*12		
24		900330-30260	2	ROLLER 3*26	3*26		
25		91318-05032	1	SCREW	5*32		
26		433167-39130	1	SPACER			
27		V353-000060	1	COLLAR,5			
28		900560-00005	1	NUT, LOCK 5	5		Sus. by 900562-50005
28		900562-50005	1	LOCKNUT 5	5		
29		V452-000110	1	SPRING,TORSION			
31		433116-35430	1	SPACER 8	8*12*9		
32		V450-000070	1	SPRING,COMPRESSION			
33		C328-000010	1	BAND,BRAKE			
34		93050-30098	1	ROLLER	F3*9.8		
38		P021-006951	1	SCABBARD,CHAIN	(ORANGE)	OPTION	
39	+	898568-14530	1	ROPE	5*900	OPTION	
40		895410-02830	1	WRENCH, W/S. DRIVER			Sr/Nr 21001210 and before,CHINA

6. Clutch, Sprocket, Tools

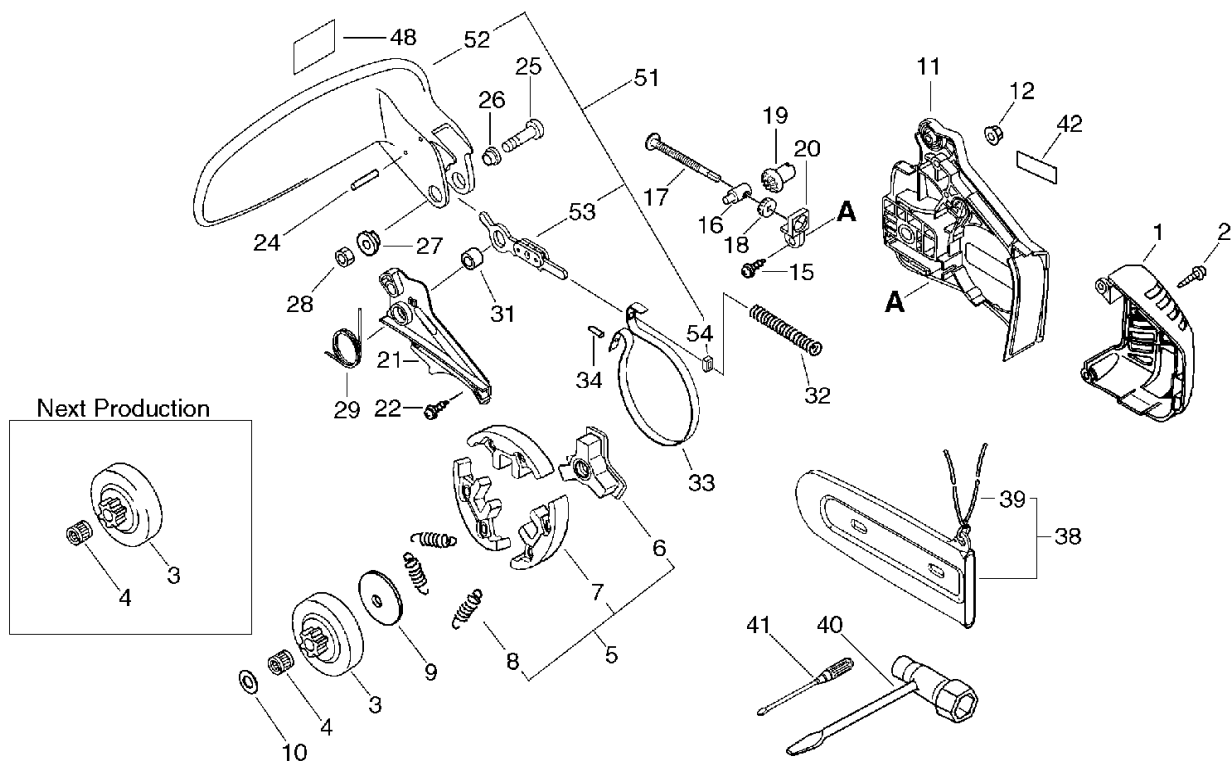
No.6



KEY	LV	PART NUMBER	Q'TY	DESCRIPTION	REMARKS	NOTE1	NOTE2
40		895410-03930	1	WRENCH, W/S. DRIVER		Sr/Nr 21001211 and after, CHINA	
41		895812-03930	1	DRIVER, SCREW 50			
42		X502-000020	1	LABEL, ECHO			
48		X505-000370	1	LABEL, CAUTION			
51		P021-007980	1	BRAKE LEVER KIT		Sus. by P021-007982	
51		P021-007981	1	BRAKE LEVER KIT		Sus. by P021-007982, Sr/Nr 21001210 and before, Sr/Nr 36002100 and before	
51		P021-007982	1	BRAKE LEVER KIT		Sus. by P021-007983, Sr/Nr 21001211 and after, Sr/Nr 36002101 and after	
52		C320-000030	1	LEVER, BRAKE		Sus. by P021-007983, Sr/Nr 21001211 and after, Sr/Nr 36002101 and after	

6. Clutch, Sprocket, Tools

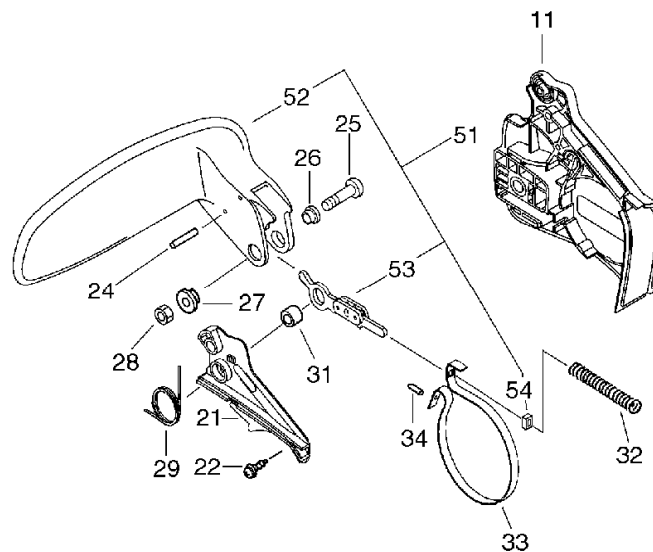
No.6



KEY	LV	PART NUMBER	Q'TY	DESCRIPTION	REMARKS	NOTE1	NOTE2
52	+	C320-000031	1	LEVER,BRAKE		Sus. by C320-000032	
52	+	C320-000032	1	LEVER,BRAKE		Sr/Nr 36001001 and after	
53		C334-000040	1	CONNECTOR,BRAKE		Sr/Nr 35016425 and before	
53	+	C334-000060	1	CONNECTOR,BRAKE			
54		V376-000450	1	SPACER		Sr/Nr 35016425 and before	
54		V376-000450	1	SPACER			
54	+	V376-000540	1	SPACER		Sr/Nr 36001001 and after	

7. Chain Brake Asy

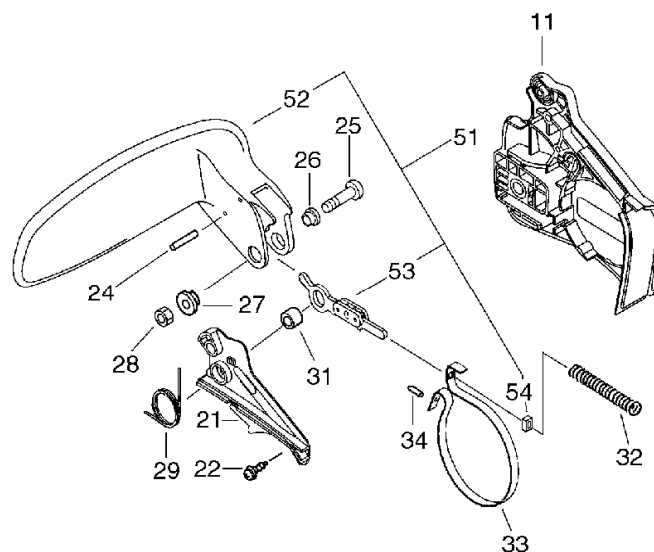
No.7



KEY	LV	PART NUMBER	Q'TY	DESCRIPTION	REMARKS	NOTE1	NOTE2
		C032-000120	1	BRAKE,ASM CHAIN		Sus. by C032-000127	
		C032-000121	1	BRAKE,ASM CHAIN		Sus. by C032-000127	
		C032-000122	1	BRAKE,ASM CHAIN		Sus. by C032-000127	
		C032-000124	1	BRAKE,ASM CHAIN		Sus. by C032-000127	
		C032-000125	1	BRAKE,ASM CHAIN		Sus. by C032-000127	
		C032-000126	1	BRAKE,ASM CHAIN		Sus. by C032-000127	
		C032-000127	1	BRAKE,ASM CHAIN		Sr/Nr 21001210 and before,CHINA	
		C032-000200	1	BRAKE,ASM CHAIN		Sus. by C032-000203	
		C032-000201	1	BRAKE,ASM CHAIN		Sus. by C032-000203	
		C032-000202	1	BRAKE,ASM CHAIN		Sus. by C032-000203	
		C032-000203	1	BRAKE,ASM CHAIN		Sr/Nr 21001211 and after,CHINA	
11	+	C300-000120	1	GUARD,SPROCKET		Sus. by C300-000125	

7. Chain Brake Asy

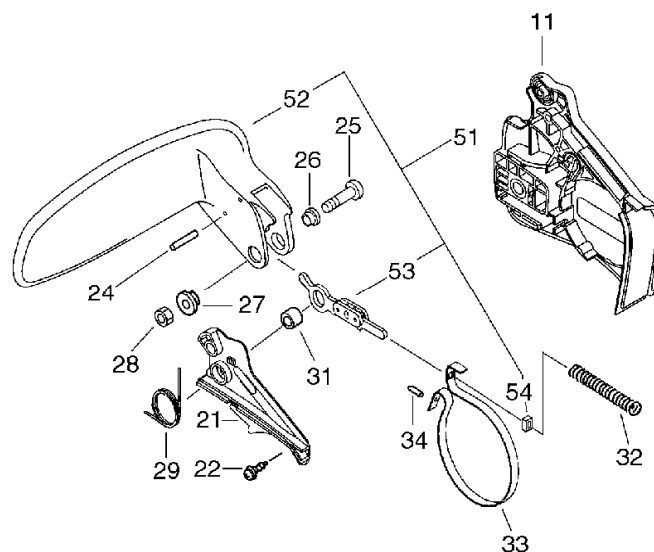
No.7



KEY	LV	PART NUMBER	Q'TY	DESCRIPTION	REMARKS	NOTE1	NOTE2
11	+	C300-000122	1	GUARD,SPROCKET		Sus. by C300-000125	
11	+	C300-000123	1	GUARD,SPROCKET		Sus. by C300-000125	
11	+	C300-000124	1	GUARD,SPROCKET		Sus. by C300-000125	
11	+	C300-000125	1	GUARD,SPROCKET		Sr/Nr 21001210 and before,CHINA	
11	+	C300-000240	1	GUARD,SPROCKET		Sus. by C300-000241	
11	+	C300-000241	1	GUARD,SPROCKET		Sr/Nr 21001211 and after,CHINA	
11	+	C300-000241	1	GUARD,SPROCKET			
21	+	C345-000080	1	COVER,BRAKE		Sus. by C345-000084	
21	+	C345-000081	1	COVER,BRAKE		Sus. by C345-000084	
21	+	C345-000082	1	COVER,BRAKE		Sus. by C345-000084	
21	+	C345-000083	1	COVER,BRAKE		Sus. by C345-000084	
21	+	C345-000084	1	COVER,BRAKE			
22	+	900253-04012	3	SCREW	4*12		
23	+	C320-000030	1	LEVER,BRAKE			

7. Chain Brake Asy

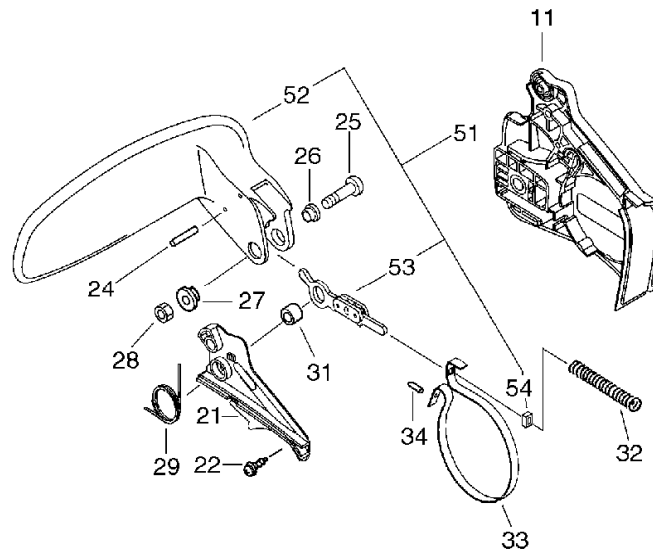
No.7



KEY	LV	PART NUMBER	Q'TY	DESCRIPTION	REMARKS	NOTE1	NOTE2
24	+	900330-30260	2	ROLLER 3*26	3*26		
25	+	91318-05032	1	SCREW	5*32		
26	+	433167-39130	1	SPACER			
27	+	V353-000060	1	COLLAR,5			
28	+	900560-00005	1	NUT, LOCK 5	5	Sus. by 900562-50005	
28	+	900562-50005	1	LOCKNUT 5	5		
29	+	V452-000110	1	SPRING,TORSION			
30	+	C334-000040	1	CONNECTOR,BRAKE			
31	+	433116-35430	1	SPACER 8	8*12*9		
32	+	V450-000070	1	SPRING,COMPRESSION			
33	+	C328-000010	1	BAND,BRAKE			
34	+	93050-30098	1	ROLLER	F3*9.8		
35	+	V376-000450	1	SPACER			
51	+	P021-007980	1	BRAKE LEVER KIT		Sus. by P021-007982	
51	+	P021-007981	1	BRAKE LEVER KIT		Sus. by P021-007982	
51	+	P021-007982	1	BRAKE LEVER KIT			
52	+	C320-000030	1	LEVER,BRAKE		Sus. by C320-000032	
52	++	C320-000031	1	LEVER,BRAKE		Sus. by C320-000032	
52	++	C320-000032	1	LEVER,BRAKE		Sr/Nr 36001001 and after	

7. Chain Brake Asy

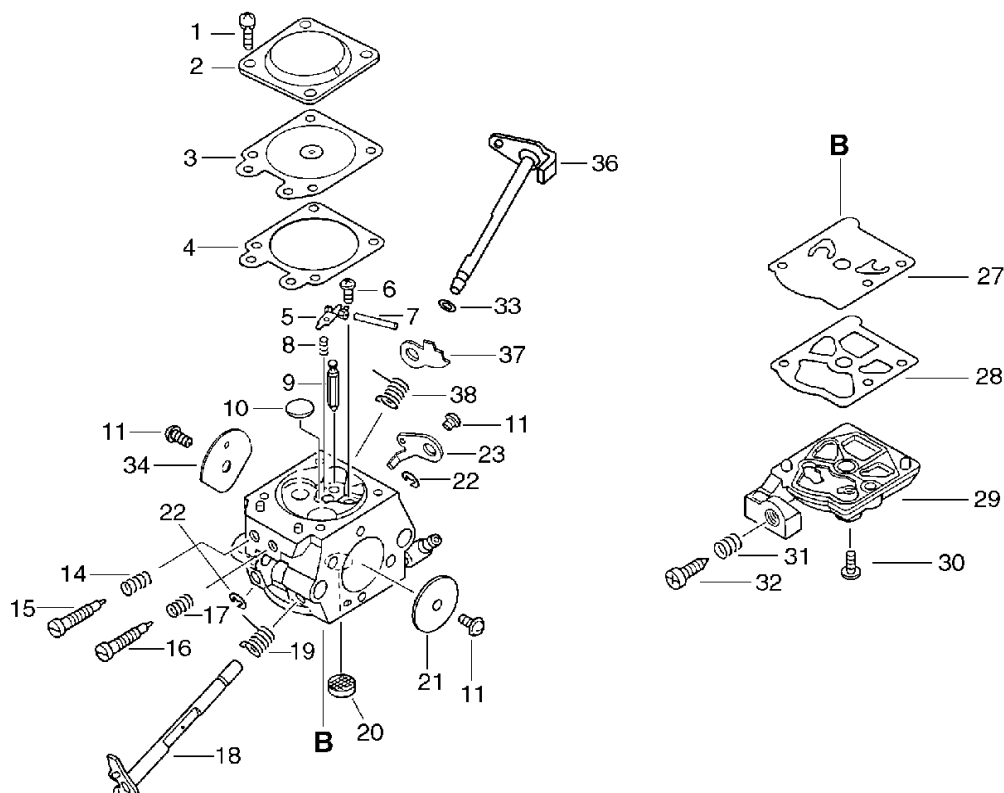
No.7



KEY	LV	PART NUMBER	Q'TY	DESCRIPTION	REMARKS	NOTE1	NOTE2
53	+	C334-000040	1	CONNECTOR,BRAKE		Sr/Nr 35016425 and before	
53	++	C334-000060	1	CONNECTOR,BRAKE			
54	+	V376-000450	1	SPACER		Sr/Nr 35016425 and before	
54	++	V376-000540	1	SPACER		Sr/Nr 36001001 and after	

8. Carburetor(Sr/Nr 35016425 and before,CHINA)

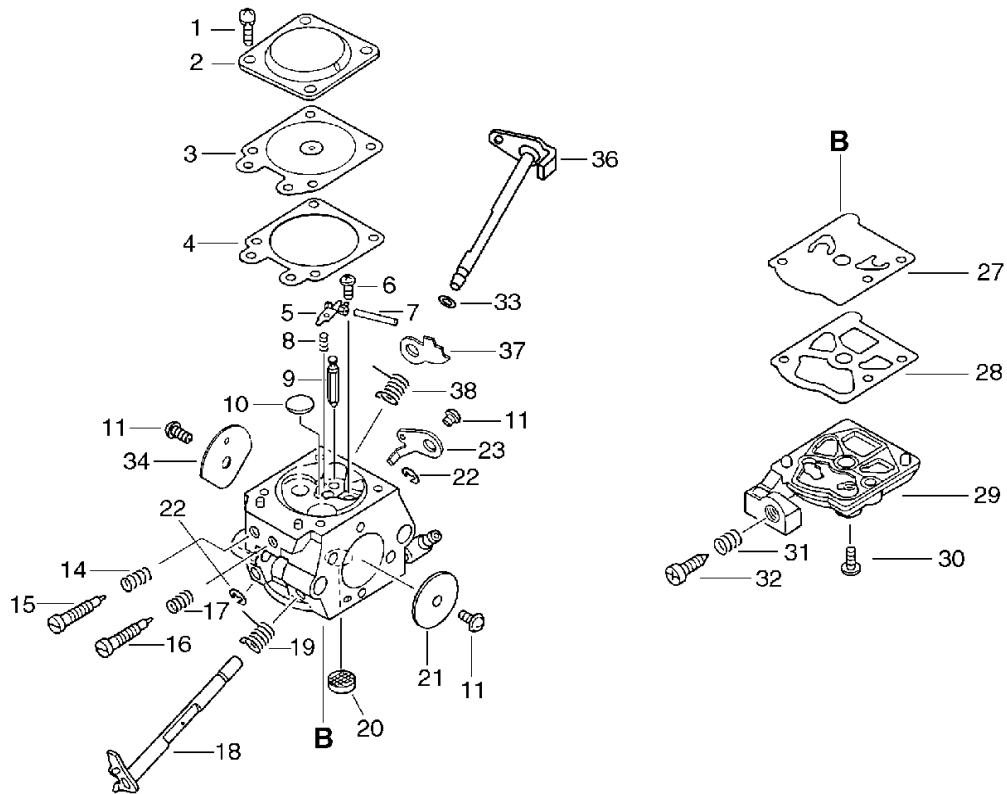
No.8



KEY	LV	PART NUMBER	Q'TY	DESCRIPTION	REMARKS	NOTE1	NOTE2
		A021-000580	1	CARBURETOR,DIAPHRAGM	WT-622	Sr/Nr 35002650 and before	
		A021-000581	1	CARBURETOR,DIAPHRAGM	WT-622A CHOKE3.3	Sr/Nr 35002651 to 35009440	
		A021-000582	1	CARBURETOR,DIAPHRAGM	WT-622	Sus. by A021- 000583	
		A021-000583	1	CARBURETOR,DIAPHRAGM		Sr/Nr 35009441 to 35016425	
		A021-000583	1	CARBURETOR,DIAPHRAGM		Sr/Nr 21001550 and before,CHINA	
1	+	123130-02960	4	SCREW			
2	+	123142-03930	1	COVER, M. DIAPHRAGM			
3	+	123141-03930	1	DIAPHRAGM, METERING			
4	+	123140-03930	1	GASKET, M. DIAPHRAGM			
5	+	123123-03930	1	LEVER, METERING			
6	+	123139-03930	1	SCREW, M. LEVER PIN			
7	+	123138-03930	1	PIN, METERING LEVER			
8	+	123122-03660	1	SPRING, METER. LEVER			
9	+	123137-19830	1	VALVE, INLET NEEDLE			
10	+	123146-10631	1	PLUG, WELCH			
11	+	123114-38830	3	SCREW			
14	+	123119-22130	1	SPRING, NEEDLE			
15	+	P003-000940	1	NEEDLE, HIGH SPEED			

8. Carburetor(Sr/Nr 35016425 and before,CHINA)

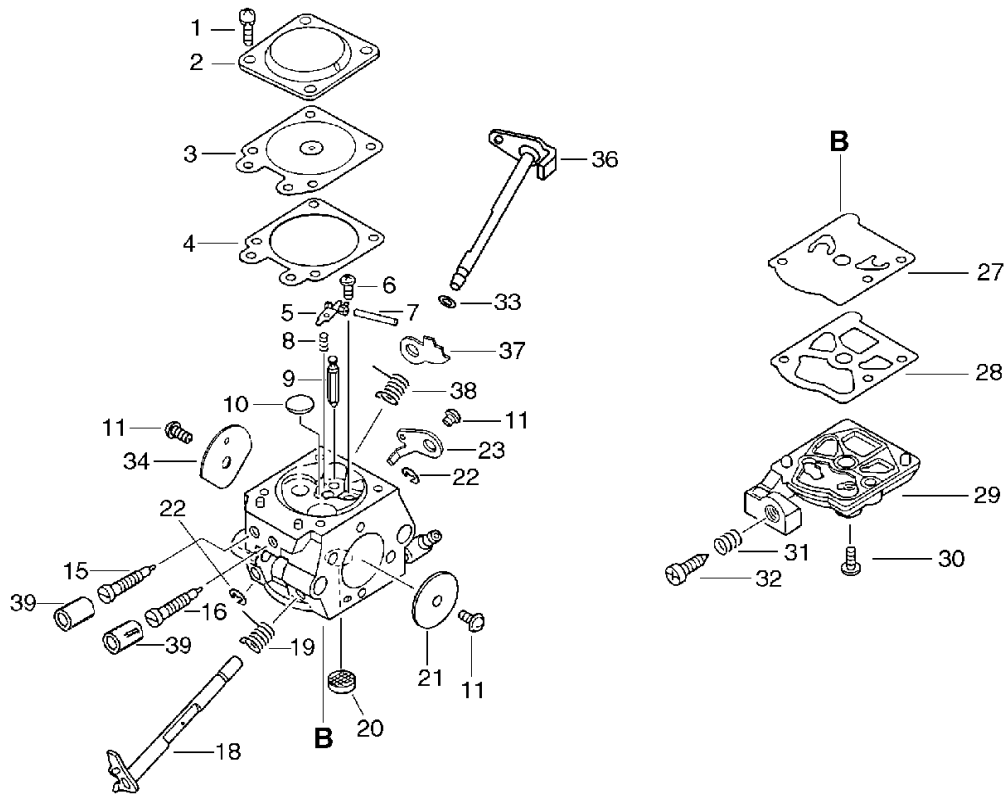
No.8



KEY	LV	PART NUMBER	Q'TY	DESCRIPTION	REMARKS	NOTE1	NOTE2
16	+	P003-000930	1	NEEDLE, IDLE			
17	+	123121-22130	1	SPRING, NEEDLE			
18	+	P003-000120	1	SHAFT, THROTTLE			
19	+	123113-37530	1	SPRING, THROTTLE RTN			
20	+	123126-10631	1	SCREEN, INLET			
21	+	P003-000920	1	VALVE ASY THROTTLE			
22	+	123127-15030	2	RING			
23	+	P003-000380	1	THROTTLE, LEVER			
27	+	123112-15030	1	DIAPHRAGM, FUEL PUMP			
28	+	123125-15030	1	GASKET, FUEL PUMP			
29	+	123124-24430	1	COVER, FUEL PUMP			
30	+	123110-03930	1	SCREW, PUMP COVER			
31	+	123133-04260	1	SPRING, IDLE ADJUST			
32	+	123134-04260	1	SCREW, IDLE ADJUST			
33	+	123149-26030	1	WASHER			
34	+	123132-37330	1	VALVE, CHOKE			
36	+	P003-000950	1	SHAFT, CHOKE		Sr/Nr 35002650 and before	
36	+	P003-001000	1	SHAFT, CHOKE		Sr/Nr 35002651 to 35009440	
36	+	P003-001140	1	SHAFT, CHOKE		Sr/Nr 35009441 and after,CHINA	
37	+	P003-000160	1	LEVER-FAST IDLE			
38	+	P003-000140	1	SPRING			

9. Carburetor(Sr/Nr 36001001 and after)

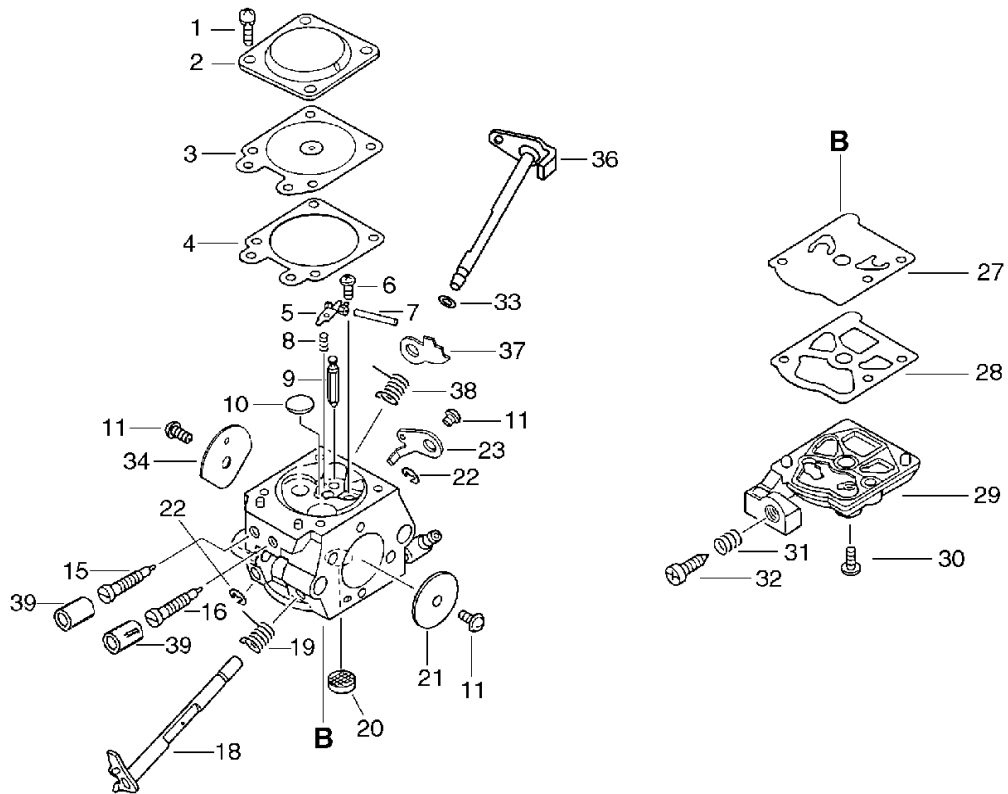
No.8



KEY	LV	PART NUMBER	Q'TY	DESCRIPTION	REMARKS	NOTE1	NOTE2
		A021-000850	1	CARBURETOR,DIAPHRAGM	WT-699		
1	+	123130-02960	4	SCREW			
2	+	123142-03930	1	COVER, M. DIAPHRAGM			
3	+	123141-03930	1	DIAPHRAGM, METERING			
4	+	123140-03930	1	GASKET, M. DIAPHRAGM			
5	+	123123-03930	1	LEVER, METERING			
6	+	123139-03930	1	SCREW, M. LEVER PIN			
7	+	123138-03930	1	PIN, METERING LEVER			
8	+	123122-03660	1	SPRING, METER. LEVER			
9	+	123137-19830	1	VALVE, INLET NEEDLE			
10	+	123146-10631	1	PLUG, WELCH			
11	+	123114-38830	3	SCREW			
15	+	123118-39231	1	NEEDLE, IDLE			
16	+	123118-02261	1	NEEDLE			
18	+	P003-000480	1	SHAFT, THROTTLE			
19	+	123113-37530	1	SPRING, THROTTLE RTN			
20	+	123126-10631	1	SCREEN, INLET			
21	+	123116-03930	1	VALVE, THROTTLE			
22	+	123127-15030	2	RING			
23	+	P003-000380	1	THROTTLE, LEVER			
27	+	123112-15030	1	DIAPHRAGM, FUEL PUMP			
28	+	123125-15030	1	GASKET, FUEL PUMP			
29	+	123124-24430	1	COVER, FUEL PUMP			
30	+	123110-03930	1	SCREW, PUMP COVER			
31	+	123133-04260	1	SPRING, IDLE ADJUST			
32	+	123134-04260	1	SCREW, IDLE ADJUST			

9. Carburetor(Sr/Nr 36001001 and after)

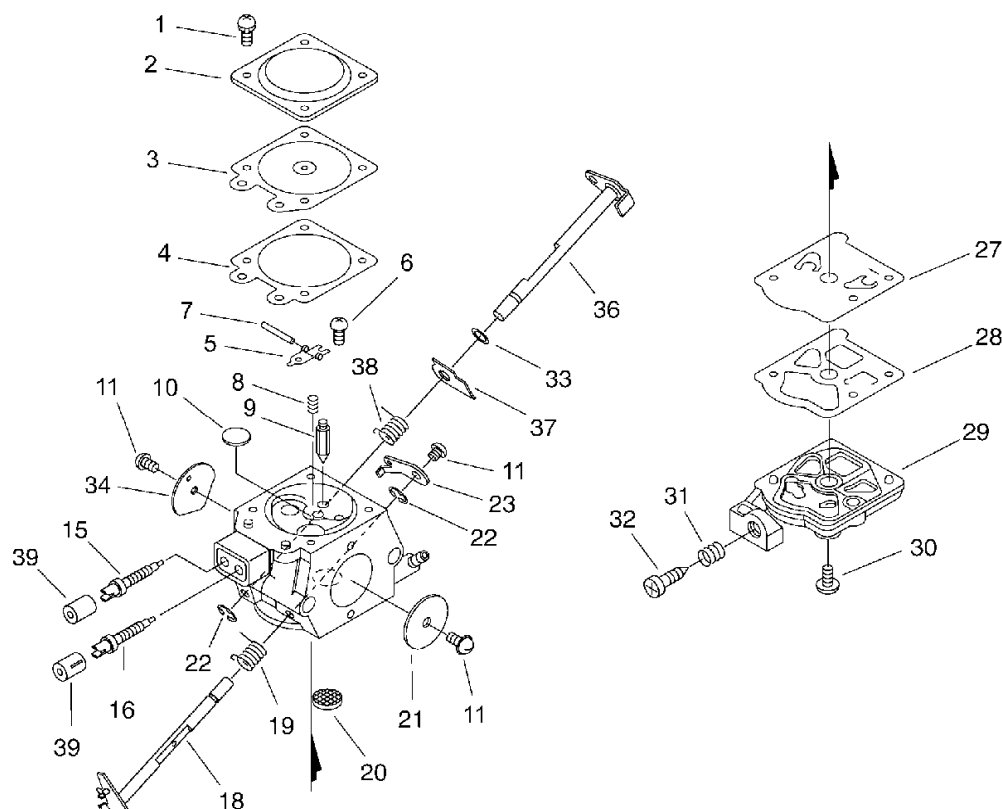
No.8



KEY	LV	PART NUMBER	Q'TY	DESCRIPTION	REMARKS	NOTE1	NOTE2
33	+	123149-26030	1	WASHER			
34	+	123132-37330	1	VALVE, CHOKE			
36	+	P003-001140	1	SHAFT, CHOKE			
37	+	P003-000160	1	LEVER-FAST IDLE			
38	+	P003-000140	1	SPRING			
39	+	P003-000010	2	LIMITER CAP			

10. Carburetor(Sr/Nr 21001551 and after,CHINA)

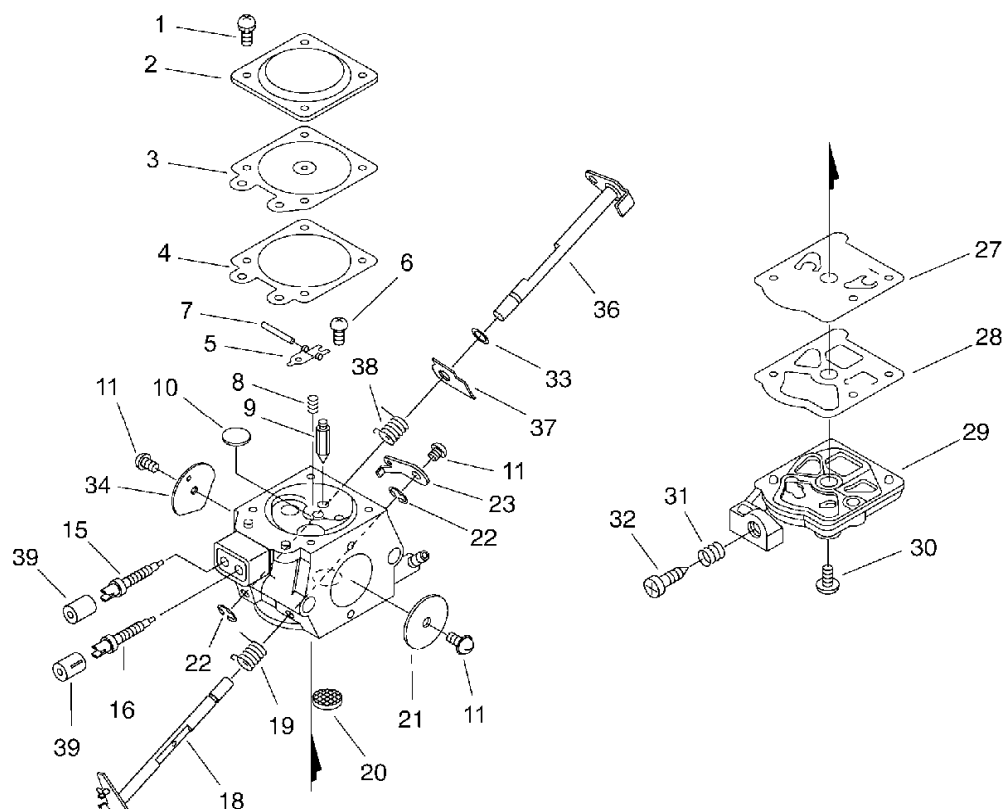
No.10



KEY	LV	PART NUMBER	Q'TY	DESCRIPTION	REMARKS	NOTE1	NOTE2
		A021-001180	1	CARBURETOR,DIAPHRAGM		Sus. by A021-001181	
		A021-001181	1	CARBURETOR,DIAPHRAGM	WT-782A	Sr/Nr 21001551 and after,CHINA	
1	+	123130-02960	4	SCREW			
2	+	123142-03930	1	COVER, M. DIAPHRAGM			
3	+	123141-03930	1	DIAPHRAGM, METERING			
4	+	123140-27230	1	GASKET,M. DIAPHRAGM			
5	+	123123-03930	1	LEVER, METERING			
6	+	123139-03930	1	SCREW, M. LEVER PIN			
7	+	123138-03930	1	PIN, METERING LEVER			
8	+	123122-39830	1	SPRING, METER. LEVER			
9	+	123137-19830	1	VALVE, INLET NEEDLE			
10	+	123146-10631	1	PLUG, WELCH			
11	+	123114-38830	3	SCREW			
14	+	123119-22130	1	SPRING, NEEDLE			
15	+	P003-001340	1	NEEDLE POWER			
16	+	P003-001330	1	NEEDLE IDLE			
17	+	123121-22130	1	SPRING, NEEDLE			
18	+	P003-000480	1	SHAFT, THROTTLE			
19	+	123113-37530	1	SPRING, THROTTLE RTN			
20	+	123126-10631	1	SCREEN, INLET			
21	+	P003-000920	1	VALVE ASY THROTTLE			
22	+	123127-15030	2	RING			
23	+	P003-000380	1	THROTTLE, LEVER			

10. Carburetor(Sr/Nr 21001551 and after,CHINA)

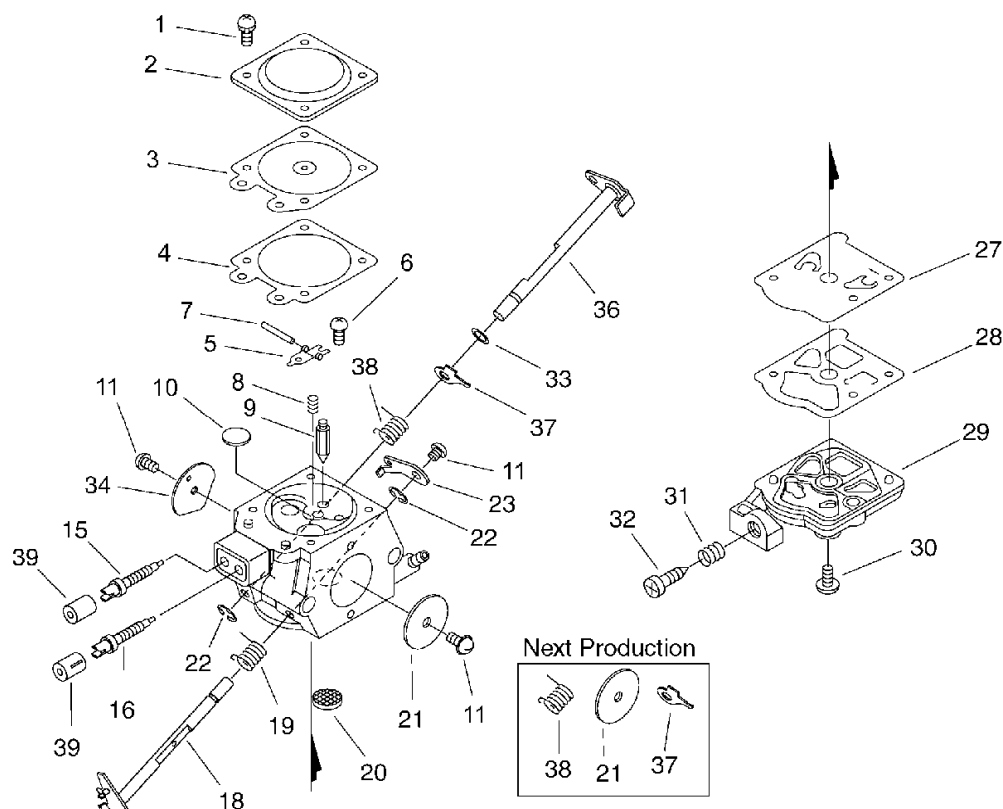
No.10



KEY	LV	PART NUMBER	Q'TY	DESCRIPTION	REMARKS	NOTE1	NOTE2
27	+	123112-15030	1	DIAPHRAGM, FUEL PUMP			
28	+	123125-15030	1	GASKET, FUEL PUMP			
29	+	123124-24430	1	COVER, FUEL PUMP			
30	+	123110-03930	1	SCREW, PUMP COVER			
31	+	123133-04260	1	SPRING, IDLE ADJUST			
32	+	123134-04260	1	SCREW, IDLE ADJUST			
33	+	123149-26030	1	WASHER			
34	+	123132-35430	1	VALVE, CHOKE			
36	+	P003-001140	1	SHAFT, CHOKE			
37	+	P003-001480	1	LEVER-FAST IDLE		Sus. by P003-001510	
37	+	P003-001510	1	LEVER-FAST IDLE			
38	+	P003-001470	1	SPRING			

11. Carburetor)EU/EUST1(PPK)

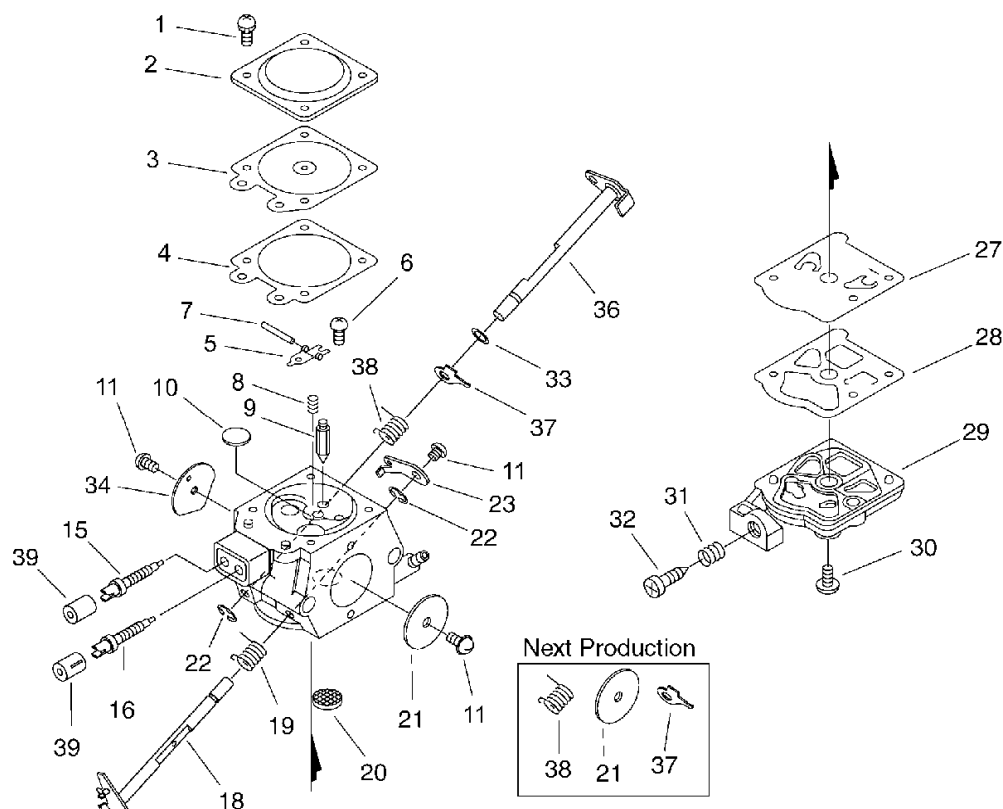
No.11



KEY	LV	PART NUMBER	Q'TY	DESCRIPTION	REMARKS	NOTE1	NOTE2
		A021-000580	1	CARBURETOR,DIAPHRAGM	WT-622		
		A021-000581	1	CARBURETOR,DIAPHRAGM	WT-622A CHOKE3.3		
1	+	123130-02960	4	SCREW			
2	+	123142-03930	1	COVER, M. DIAPHRAGM			
3	+	123141-03930	1	DIAPHRAGM, METERING			
4	+	123140-03930	1	GASKET, M. DIAPHRAGM			
5	+	123123-03930	1	LEVER, METERING			
6	+	123139-03930	1	SCREW, M. LEVER PIN			
7	+	123138-03930	1	PIN, METERING LEVER			
8	+	123122-03660	1	SPRING, METER. LEVER			
9	+	123137-19830	1	VALVE, INLET NEEDLE			
10	+	123146-10631	1	PLUG, WELCH			
11	+	123114-38830	3	SCREW			
14	+	123119-22130	1	SPRING, NEEDLE			
15	+	P003-000940	1	NEEDLE, HIGH SPEED			
16	+	P003-000930	1	NEEDLE, IDLE			
17	+	123121-22130	1	SPRING, NEEDLE			
18	+	P003-000120	1	SHAFT, THROTTLE			
19	+	123113-37530	1	SPRING, THROTTLE RTN			
20	+	123126-10631	1	SCREEN, INLET			
21	+	123116-03930	1	VALVE, THROTTLE		Sus. by 123116-10530	
21	+	123116-10530	1	VALVE, THROTTLE			
22	+	123127-15030	2	RING			
23	+	P003-000380	1	THROTTLE, LEVER			

11. Carburetor)EU/EUST1(PPK)

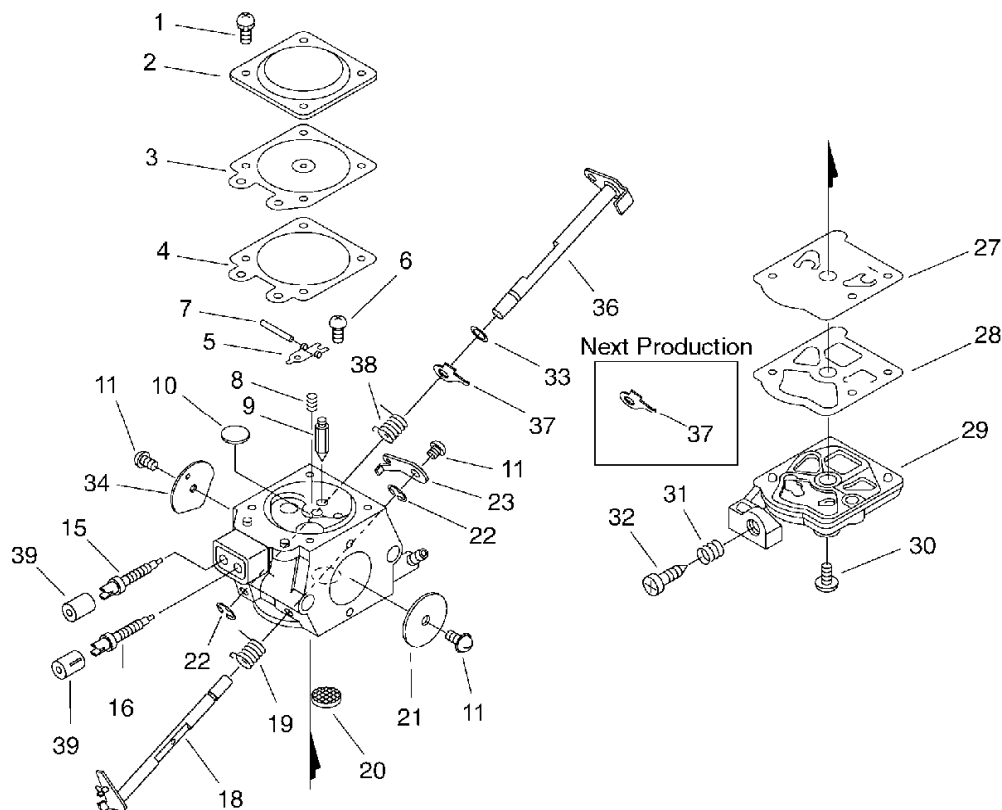
No.11



KEY	LV	PART NUMBER	Q'TY	DESCRIPTION	REMARKS	NOTE1	NOTE2
27	+	123112-15030	1	DIAPHRAGM, FUEL PUMP			
28	+	123125-15030	1	GASKET, FUEL PUMP			
29	+	123124-24430	1	COVER, FUEL PUMP			
30	+	123110-03930	1	SCREW, PUMP COVER			
31	+	123133-04260	1	SPRING, IDLE ADJUST			
32	+	123134-04260	1	SCREW, IDLE ADJUST			
33	+	123149-26030	1	WASHER			
34	+	123132-37330	1	VALVE, CHOKE			
36	+	P003-000950	1	SHAFT, CHOKE		Sus. by P003-001140	
36	+	P003-001000	1	SHAFT, CHOKE		Sus. by P003-001140	
36	+	P003-001140	1	SHAFT, CHOKE			
37	+	P003-000160	1	LEVER-FAST IDLE			
38	+	P003-000140	1	SPRING		Sus. by P003001470	
38	+	P003-001470	1	SPRING			
39	+	P003-000010	2	LIMITER CAP			

12. Carburetor)EU/EUST1(PPK)

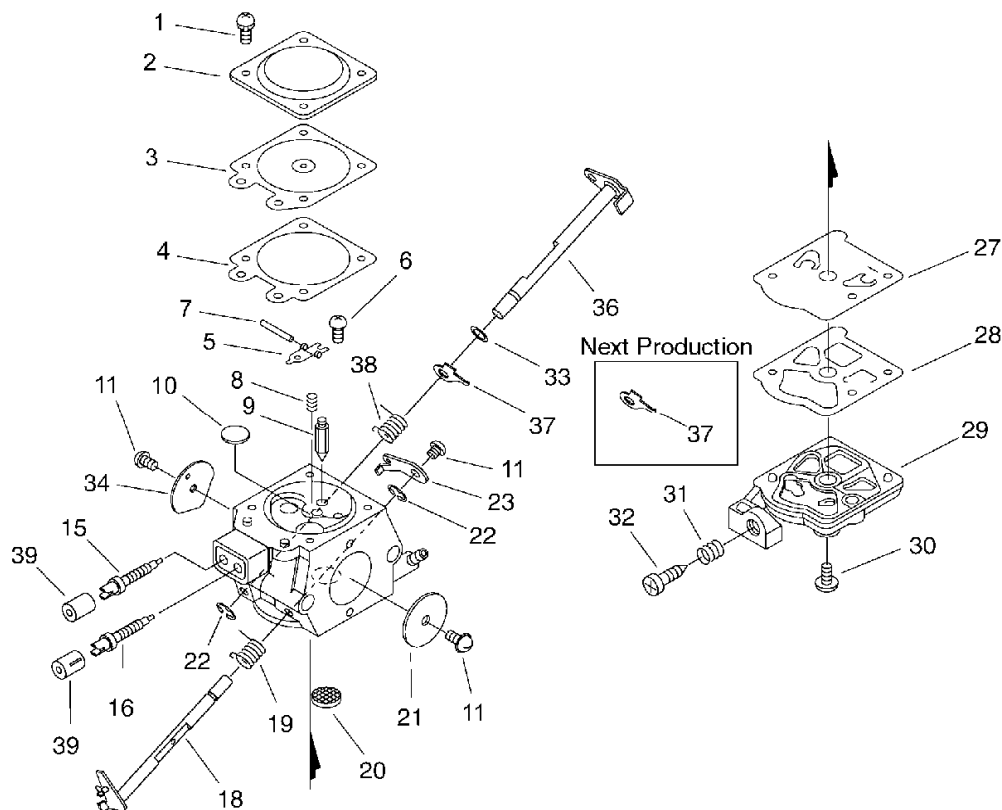
No.12



KEY	LV	PART NUMBER	Q'TY	DESCRIPTION	REMARKS	NOTE1	NOTE2
		A021-000861	1	CARBURETOR,DIAPHRAGM	WT-698A	Sus. by A021-000862	
		A021-000862	1	CARBURETOR,DIAPHRAGM	WT-698A	Next Production	
1	+	123130-02960	4	SCREW			
2	+	123142-03930	1	COVER, M. DIAPHRAGM			
3	+	123141-03930	1	DIAPHRAGM, METERING			
4	+	123140-03930	1	GASKET, M. DIAPHRAGM			
5	+	123123-03930	1	LEVER, METERING			
6	+	123139-03930	1	SCREW, M. LEVER PIN			
7	+	123138-03930	1	PIN, METERING LEVER			
8	+	123122-39830	1	SPRING, METER. LEVER			
9	+	123137-19830	1	VALVE, INLET NEEDLE			
10	+	123146-10631	1	PLUG, WELCH			
11	+	123114-38830	3	SCREW			
15	+	123118-02261	1	NEEDLE			
16	+	123120-52131	1	NEEDLE, HIGH SPEED			
18	+	P003-000480	1	SHAFT, THROTTLE			
19	+	123113-37530	1	SPRING, THROTTLE RTN			
20	+	123126-10631	1	SCREEN, INLET			
21	+	123116-10530	1	VALVE, THROTTLE			
22	+	123127-15030	2	RING			
23	+	P003-000380	1	THROTTLE, LEVER			
27	+	123112-15030	1	DIAPHRAGM, FUEL PUMP			
28	+	123125-15030	1	GASKET, FUEL PUMP			
29	+	123124-24430	1	COVER, FUEL PUMP			

12. Carburetor)EU/EUST1(PPK)

No.12



KEY	LV	PART NUMBER	Q'TY	DESCRIPTION	REMARKS	NOTE1	NOTE2
30	+	123110-03930	1	SCREW, PUMP COVER			
31	+	123133-04260	1	SPRING, IDLE ADJUST			
32	+	123134-04260	1	SCREW, IDLE ADJUST			
33	+	123149-26030	1	WASHER			
34	+	123132-35430	1	VALVE, CHOKE			
36	+	P003-001140	1	SHAFT, CHOKE			
37	+	P003-001480	1	LEVER-FAST IDLE		Sus. By P003-001510	
37	+	P003-001510	1	LEVER-FAST IDLE			
38	+	P003-001470	1	SPRING			
39	+	P003-000010	2	LIMITER CAP			

Index

Patrs Number	Key No.	Patrs Number	Key No.	Patrs Number	Key No.
100011-13330	1 - 4	123123-03930	8 - 5	123138-03930	12 - 7
100013-15330	1 - 5	123123-03930	9 - 5	123138-03930	8 - 7
100014-60930	1 - 7	123124-24430	10 - 29	123138-03930	9 - 7
100015-04630	1 - 6	123124-24430	11 - 29	123139-03930	10 - 6
100142-12330	1 - 30	123124-24430	12 - 29	123139-03930	11 - 6
100910-18830	5 - 17	123124-24430	8 - 29	123139-03930	12 - 6
100918-15130	5 - 18	123124-24430	9 - 29	123139-03930	8 - 6
123110-03930	10 - 30	123125-15030	10 - 28	123139-03930	9 - 6
123110-03930	11 - 30	123125-15030	11 - 28	123140-03930	11 - 4
123110-03930	12 - 30	123125-15030	12 - 28	123140-03930	12 - 4
123110-03930	8 - 30	123125-15030	8 - 28	123140-03930	8 - 4
123110-03930	9 - 30	123125-15030	9 - 28	123140-03930	9 - 4
123112-15030	10 - 27	123126-10631	10 - 20	123140-27230	10 - 4
123112-15030	11 - 27	123126-10631	11 - 20	123141-03930	10 - 3
123112-15030	12 - 27	123126-10631	12 - 20	123141-03930	11 - 3
123112-15030	8 - 27	123126-10631	8 - 20	123141-03930	12 - 3
123112-15030	9 - 27	123126-10631	9 - 20	123141-03930	8 - 3
123113-37530	10 - 19	123127-15030	10 - 22	123141-03930	9 - 3
123113-37530	11 - 19	123127-15030	11 - 22	123142-03930	10 - 2
123113-37530	12 - 19	123127-15030	12 - 22	123142-03930	11 - 2
123113-37530	8 - 19	123127-15030	8 - 22	123142-03930	12 - 2
123113-37530	9 - 19	123127-15030	9 - 22	123142-03930	8 - 2
123114-38830	10 - 11	123130-02960	10 - 1	123142-03930	9 - 2
123114-38830	11 - 11	123130-02960	11 - 1	123146-10631	10 - 10
123114-38830	12 - 11	123130-02960	12 - 1	123146-10631	11 - 10
123114-38830	8 - 11	123130-02960	8 - 1	123146-10631	12 - 10
123114-38830	9 - 11	123130-02960	9 - 1	123146-10631	8 - 10
123116-03930	11 - 21	123132-35430	10 - 34	123146-10631	9 - 10
123116-03930	9 - 21	123132-35430	12 - 34	123149-26030	10 - 33
123116-10530	11 - 21	123132-37330	11 - 34	123149-26030	11 - 33
123116-10530	12 - 21	123132-37330	8 - 34	123149-26030	12 - 33
123118-02261	12 - 15	123132-37330	9 - 34	123149-26030	8 - 33
123118-02261	9 - 16	123133-04260	10 - 31	123149-26030	9 - 33
123118-39231	9 - 15	123133-04260	11 - 31	130020-33330	5 - 4
123119-22130	10 - 14	123133-04260	12 - 31	131051-19830	4 - 7
123119-22130	11 - 14	123133-04260	8 - 31	131051-19830	4 - 7
123119-22130	8 - 14	123133-04260	9 - 31	131205-14930	4 - 19
123120-52131	12 - 16	123134-04260	10 - 32	131300-56430	4 - 21
123121-22130	10 - 17	123134-04260	11 - 32	132013-09820	4 - 18
123121-22130	11 - 17	123134-04260	12 - 32	132013-26630	4 - 12
123121-22130	8 - 17	123134-04260	8 - 32	132013-26630	4 - 12
123122-03660	11 - 8	123134-04260	9 - 32	132115-01461	4 - 13
123122-03660	8 - 8	123137-19830	10 - 9	145510-13931	2 - 4
123122-03660	9 - 8	123137-19830	11 - 9	150117-16430	3 - 10
123122-39830	10 - 8	123137-19830	12 - 9	156110-04920	3 - 12
123122-39830	12 - 8	123137-19830	8 - 9	159010-10230	3 - 13
123123-03930	10 - 5	123137-19830	9 - 9	162010-55930	3 - 11
123123-03930	11 - 5	123138-03930	10 - 7	163911-30130	1 - 22
123123-03930	12 - 5	123138-03930	11 - 7	175005-39132	6 - 3

Index

Patrs Number	Key No.	Patrs Number	Key No.	Patrs Number	Key No.
175012-00831	6 - 4	900560-00005	6 - 28	A202-000032	5 - 27
175012-35630	6 - 4	900560-00005	7 - 28	A204-000040	2 - 9
175014-39130	6 - 10	900562-50005	6 - 28	A204-000041	2 - 9
175014-39131	6 - 10	900562-50005	7 - 28	A226-000180	2 - 12
177234-35430	3 - 3	900603-00005	3 - 6	A226-000290	2 - 12
177236-44330	3 - 21	900720-00018	4 - 6	A226-000291	2 - 12
177247-04630	3 - 5	900720-00018	4 - 6	A232-000160	2 - 13
433011-03931	1 - 17	900724-00004	1 - 29	A235-000040	2 - 14
433011-03931	1 - 17	900724-00004	4 - 23	A239-000000	5 - 2
433019-03933	6 - 12	91107-05040	2 - 6	A240-000000	5 - 13
433019-03933	6 - 12	91318-05032	6 - 25	A240-000001	5 - 13
433019-12330	6 - 12	91318-05032	7 - 25	A240-000010	5 - 13
433026-35430	1 - 25	91420-05012	1 - 32	A253-000040	5 - 1
433116-35430	6 - 31	91481-04035	5 - 26	A253-000041	5 - 1
433116-35430	7 - 31	93050-30098	6 - 34	A253-000042	5 - 1
433167-39130	6 - 26	93050-30098	7 - 34	A253-000043	5 - 1
433167-39130	7 - 26	94035-36201	1 - 10	A300-000370	2 - 2
436114-13930	4 - 9	A021-000580	11 -	A301-000000	2 - 5
436205-02832	4 - 10	A021-000580	2 - 8	A303-000040	2 - 3
895410-02830	6 - 40	A021-000580	8 -	A303-000041	2 - 3
895410-03930	6 - 40	A021-000581	11 -	A303-000090	2 - 3
895812-03930	6 - 41	A021-000581	2 - 8	A320-000180	6 - 1
898568-14530	6 - 39	A021-000581	8 -	A320-000181	6 - 1
900105-05014	3 - 7	A021-000582	2 - 8	A320-000182	6 - 1
900106-05020	1 - 19	A021-000582	2 - 8	A320-000183	6 - 1
900106-05020	1 - 19	A021-000582	8 -	A365-000050	4 - 7
900106-05030	1 - 36	A021-000583	2 - 8	A365-000050	4 - 7
900162-05025	1 - 2	A021-000583	8 -	A409-000170	3 - 1
900220-04006	2 - 11	A021-000583	8 -	A411-000150	3 - 8
900238-04012	4 - 4	A021-000850	2 - 8	A426-000010	3 - 14
900238-05022	3 - 9	A021-000850	2 - 8	A427-000010	3 - 15
900238-05050	2 - 10	A021-000850	9 -	A427-000011	3 - 15
900250-04008	2 - 7	A021-000851	2 - 8	A427-000012	3 - 15
900250-05016	1 - 32	A021-000861	12 -	A514-000000	3 - 4
900253-04010	1 - 18	A021-000861	2 - 8	A551-000010	6 - 9
900253-04012	1 - 21	A021-000862	12 -	A552-000020	6 - 6
900253-04012	6 - 15	A021-000862	2 - 8	C022-000000	4 - 2
900253-04012	6 - 22	A021-001180	10 -	C022-000020	4 - 2
900253-04012	7 - 22	A021-001180	2 - 8	C032-000120	7 -
900253-04016	6 - 2	A021-001181	10 -	C032-000121	7 -
900253-05020	1 - 26	A021-001181	2 - 8	C032-000122	7 -
900253-05020	1 - 28	A051-000540	3 - 20	C032-000124	7 -
900253-05020	5 - 8	A056-000070	6 - 5	C032-000125	7 -
900256-04016	3 - 27	A101-000060	1 - 4	C032-000126	7 -
900256-04016	5 - 5	A101-000120	1 - 4	C032-000127	7 -
900256-04016	5 - 6	A127-000050	1 - 20	C032-000200	7 -
900330-30260	6 - 24	A172-000360	3 - 18	C032-000201	7 -
900330-30260	7 - 24	A172-000361	3 - 18	C032-000202	7 -
900515-00008	3 - 2	A202-000020	1 - 31	C032-000203	7 -

Index

Patrs Number	Key No.	Patrs Number	Key No.	Patrs Number	Key No.
C300-000120	6 - 11	P003-000010	12 - 39	P021-004932	1 - 3
C300-000120	7 - 11	P003-000010	9 - 39	P021-004940	1 - 9
C300-000122	6 - 11	P003-000120	11 - 18	P021-004940	1 - 9
C300-000122	7 - 11	P003-000120	8 - 18	P021-004941	1 - 9
C300-000123	7 - 11	P003-000140	11 - 38	P021-004941	1 - 9
C300-000124	6 - 11	P003-000140	8 - 38	P021-004950	2 - 1
C300-000124	7 - 11	P003-000140	9 - 38	P021-004951	2 - 1
C300-000125	6 - 11	P003-000160	11 - 37	P021-004960	5 - 3
C300-000125	7 - 11	P003-000160	8 - 37	P021-004961	5 - 3
C300-000240	7 - 11	P003-000160	9 - 37	P021-004962	5 - 3
C300-000241	6 - 11	P003-000380	10 - 23	P021-004963	5 - 3
C300-000241	7 - 11	P003-000380	11 - 23	P021-004964	5 - 3
C300-000241	7 - 11	P003-000380	12 - 23	P021-004965	5 - 3
C304-000000	1 - 27	P003-000380	8 - 23	P021-004966	5 - 3
C305-000061	1 - 15	P003-000380	9 - 23	P021-004967	5 - 3
C305-000070	1 - 15	P003-000480	10 - 18	P021-004968	5 - 3
C305-000070	1 - 15	P003-000480	12 - 18	P021-004969	5 - 3
C305-000080	1 - 15	P003-000480	9 - 18	P021-004980	1 - 23
C309-000030	6 - 16	P003-000920	10 - 21	P021-004981	1 - 23
C320-000030	6 - 52	P003-000920	8 - 21	P021-004982	1 - 23
C320-000030	7 - 23	P003-000930	11 - 16	P021-004983	1 - 23
C320-000030	7 - 52	P003-000930	8 - 16	P021-004984	1 - 23
C320-000031	6 - 52	P003-000940	11 - 15	P021-004985	1 - 23
C320-000031	7 - 52	P003-000940	8 - 15	P021-004986	1 - 23
C320-000032	6 - 52	P003-000950	11 - 36	P021-004987	1 - 23
C320-000032	7 - 52	P003-000950	8 - 36	P021-004988	1 - 23
C328-000010	6 - 33	P003-001000	11 - 36	P021-005511	1 - 9
C328-000010	7 - 33	P003-001000	8 - 36	P021-005511	1 - 9
C334-000040	6 - 53	P003-001140	10 - 36	P021-005512	1 - 9
C334-000040	7 - 30	P003-001140	11 - 36	P021-005512	1 - 9
C334-000040	7 - 53	P003-001140	12 - 36	P021-005513	1 - 9
C334-000060	6 - 53	P003-001140	8 - 36	P021-005580	4 - 8
C334-000060	7 - 53	P003-001140	9 - 36	P021-005581	4 - 8
C345-000080	6 - 21	P003-001330	10 - 16	P021-005590	4 - 5
C345-000080	7 - 21	P003-001340	10 - 15	P021-005591	4 - 5
C345-000081	6 - 21	P003-001470	10 - 38	P021-005730	1 - 31
C345-000081	7 - 21	P003-001470	11 - 38	P021-005731	1 - 31
C345-000082	6 - 21	P003-001470	12 - 38	P021-005732	1 - 31
C345-000082	7 - 21	P003-001480	10 - 37	P021-005810	6 - 7
C345-000083	6 - 21	P003-001480	12 - 37	P021-006951	6 - 38
C345-000083	7 - 21	P003-001510	10 - 37	P021-007980	6 - 51
C345-000084	6 - 21	P003-001510	12 - 37	P021-007980	7 - 51
C345-000084	7 - 21	P021-001980	4 - 1	P021-007981	6 - 51
C400-000160	5 - 7	P021-001991	4 - 5	P021-007981	7 - 51
C450-000010	5 - 9	P021-002001	4 - 8	P021-007982	6 - 51
C454-000070	5 - 10	P021-004920	1 - 1	P021-007982	7 - 51
C460-000000	5 - 12	P021-004921	1 - 1	P021-008670	1 - 23
C460-000001	5 - 12	P021-004930	1 - 3	P021-008671	1 - 23
P003-000010	11 - 39	P021-004931	1 - 3	P021-008672	1 - 23

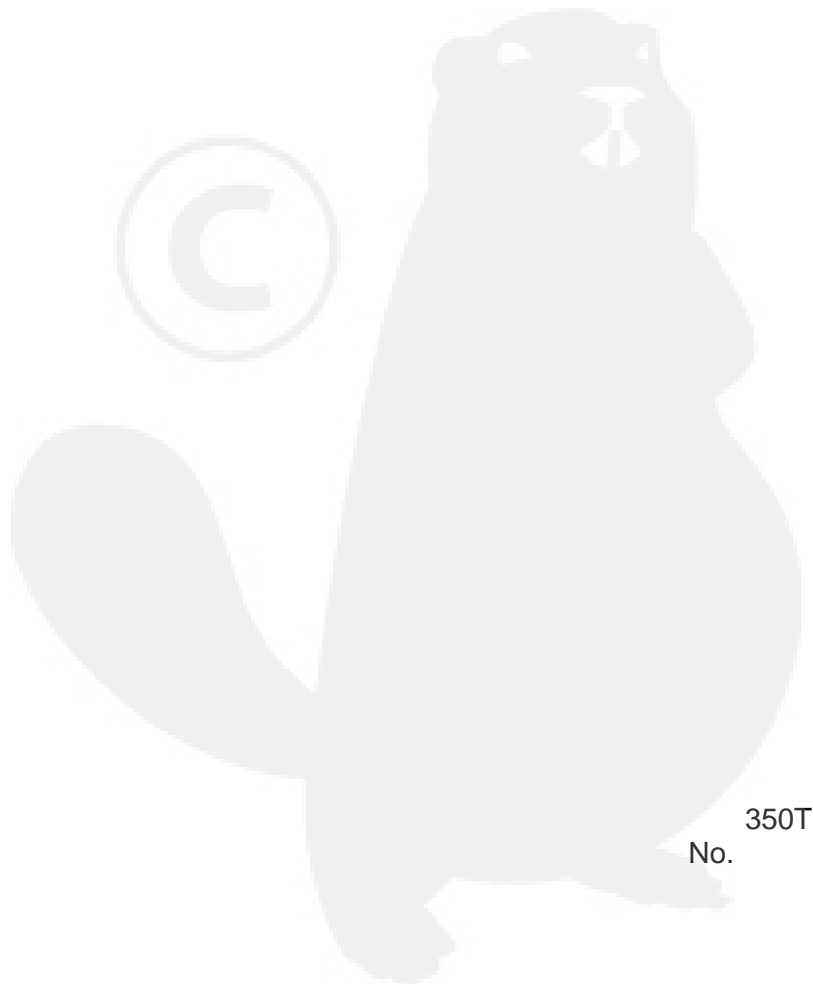
Index

Patrs Number	Key No.	Patrs Number	Key No.	Patrs Number	Key No.
P021-008673	1 - 23	V471-000740	4 - 11		
P021-008674	1 - 23	V471-000750	4 - 16		
P021-008675	1 - 23	V471-000760	4 - 14		
P021-008676	1 - 23	V475-002390	3 - 16		
P021-009230	1 - 3	V475-002390	3 - 16		
P021-009250	1 - 1	V485-000340	5 - 21		
P021-010700	1 - 9	V485-000350	3 - 11		
P021-010701	1 - 9	V486-000010	5 - 20		
P021-011510	5 - 3	V505-000010	1 - 11		
P022-001330	3 - 24	V553-000040	1 - 8		
P022-005870	3 - 22	V651-000001	6 - 19		
P022-005890	3 - 26	V651-000011	6 - 18		
P022-005900	3 - 23	V652-000010	1 - 12		
V137-000000	4 - 22	V652-000010	4 - 3		
V137-000020	4 - 20	X502-000020	3 - 28		
V150-000910	1 - 32	X502-000020	6 - 42		
V186-000020	4 - 26	X503-004160	2 - 15		
V202-000000	5 - 16	X503-005630	2 - 16		
V202-000000	5 - 16	X505-000180	3 - 29		
V202-000010	1 - 18	X505-000370	6 - 48		
V202-000011	1 - 18	X505-001340	2 - 18		
V202-000011	1 - 18	X505-001350	2 - 17		
V203-000041	6 - 17	X524-000910	5 - 22		
V203-000090	3 - 7				
V225-000030	1 - 17				
V308-000030	4 - 27				
V308-000030	6 - 10				
V352-000020	5 - 25				
V353-000060	6 - 27				
V353-000060	7 - 27				
V355-000140	6 - 20				
V356-000290	4 - 28				
V359-000060	1 - 34				
V376-000450	6 - 54				
V376-000450	6 - 54				
V376-000450	7 - 35				
V376-000450	7 - 54				
V376-000540	6 - 54				
V376-000540	7 - 54				
V400-000020	5 - 15				
V400-000021	5 - 15				
V450-000070	6 - 32				
V450-000070	7 - 32				
V451-000470	6 - 8				
V452-000010	5 - 11				
V452-000110	6 - 29				
V452-000110	7 - 29				
V470-000320	4 - 17				
V470-000480	1 - 35				

YAMABIKO CORPORATION

7-2 SUEHIROCHO 1-CHOME, OHME, TOKYO 198-8760, JAPAN
PHONE: 81-428-32-6118. FAX: 81-428-32-6145.

ECHO[®]



350T
No.