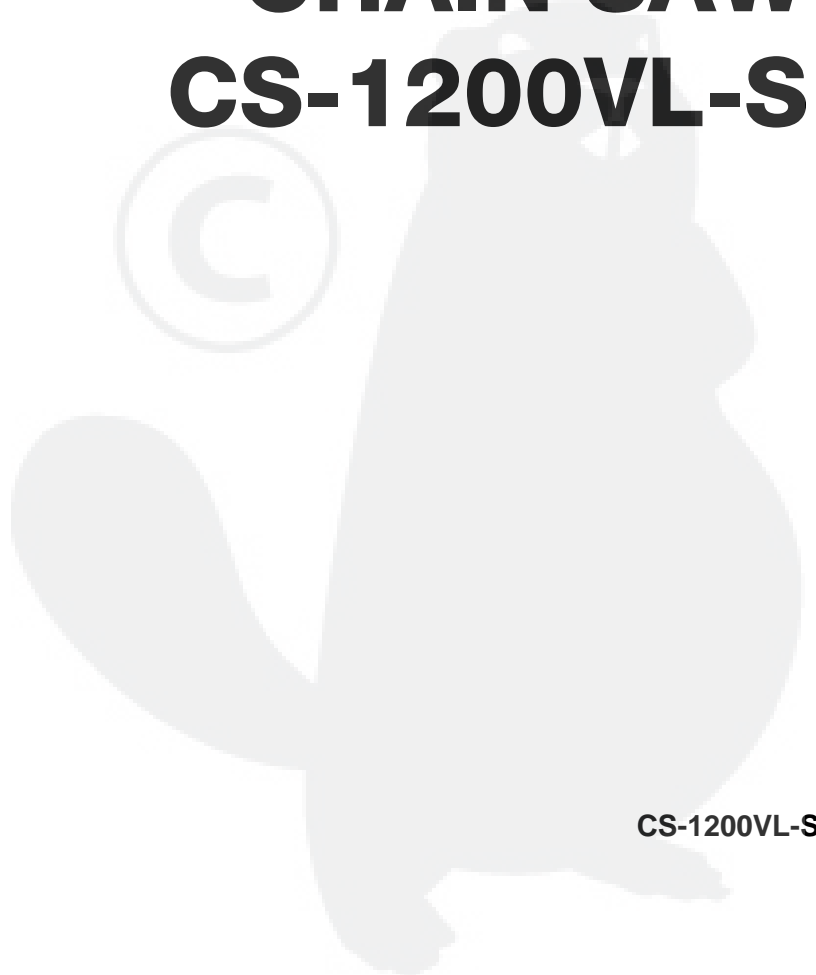
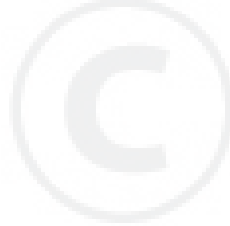




# **PARTS CATALOG**

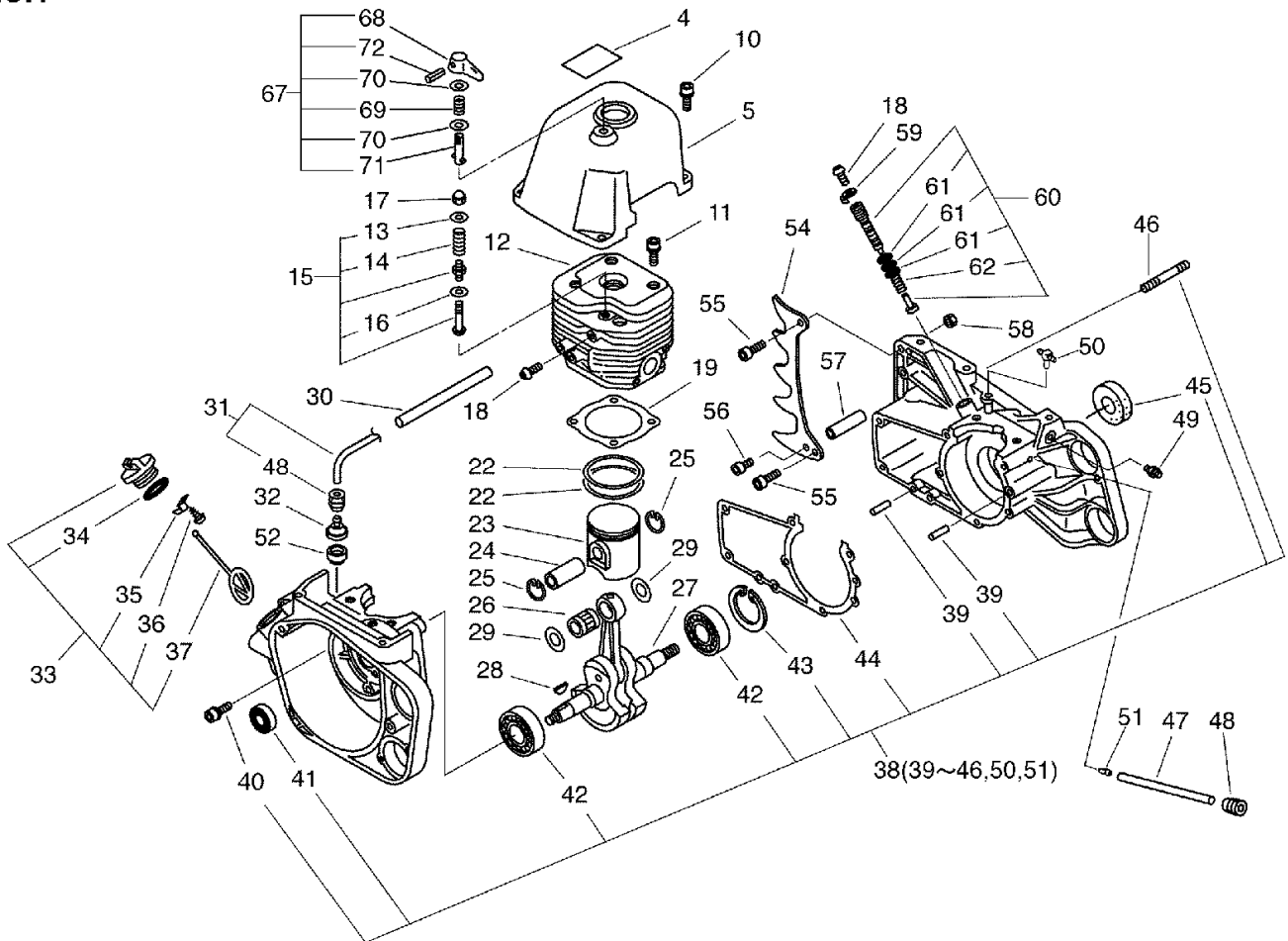
## **CHAIN SAW CS-1200VL-S**



CS-1200VL-S

# 1. Cylinder, Crankcase, Piston

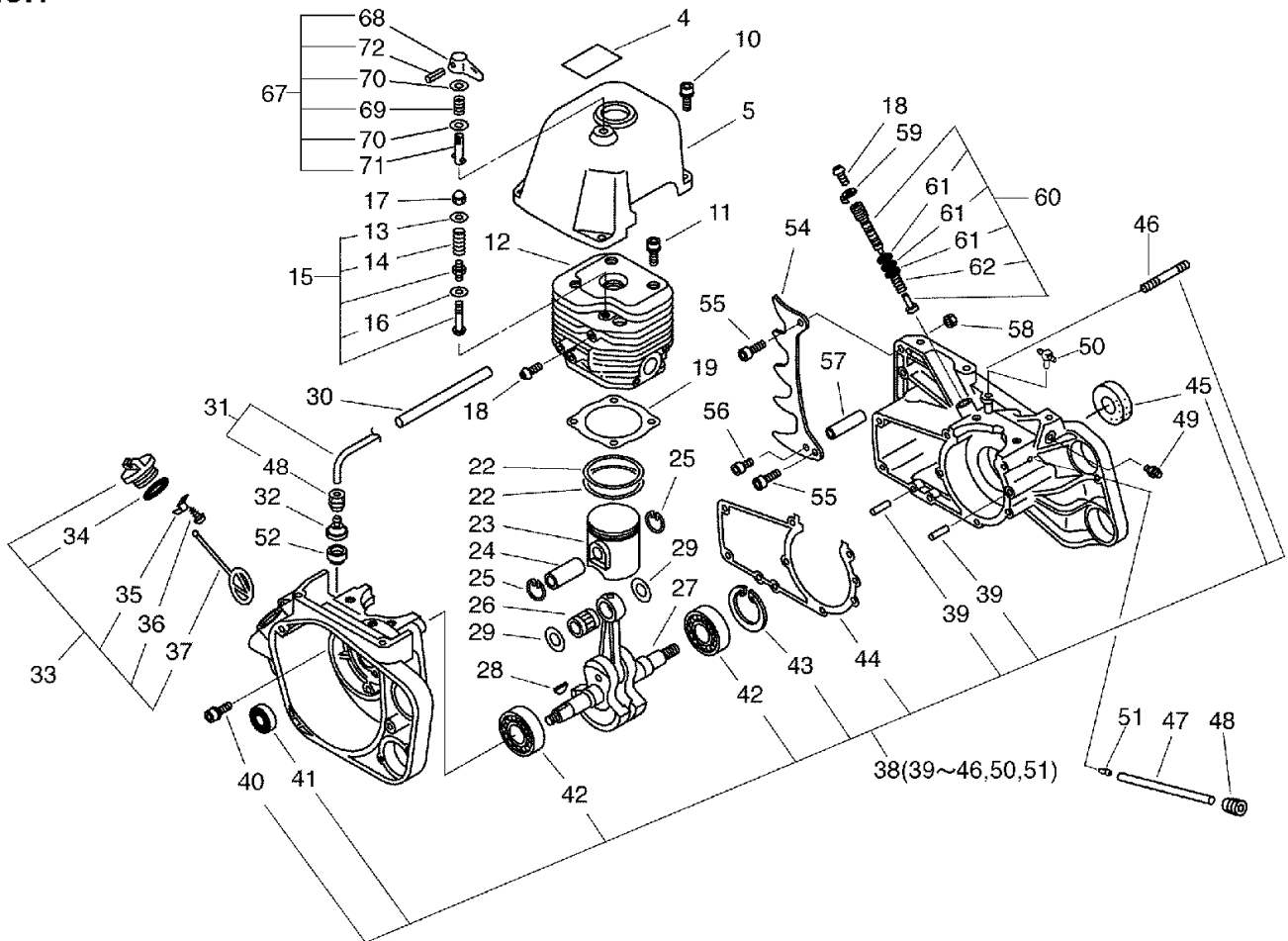
No.1



KEY	LV	PART NUMBER	Q'TY	DESCRIPTION	REMARKS	NOTE1	NOTE2
4		890149-16430	1	LABEL, COMP. RELEASE			
5		101514-16432	1	COVER, CYLINDER			
10		900167-06025	3	BOLT, H.S. 6*25	-6*25 W,SW		
11		900162-06025	4	BOLT, H.S. 6*25	6*25 W,SW		
12		101011-16433	1	CYLINDER			
15		101100-16430	1	RELEASE ASSY, COMP.			
13	+	101114-02831	1	WASHER, COMP.R.VALVE			
14	+	101113-02830	1	SPRING, COMP.R.VALVE			
16	+	101112-12430	1	GASKET, V.SEAT 2.0	2.0T		
16	+	101112-02830	1	GASKET, V.SEAT (1.5)	1.5T		
16	+	101112-32930	1	GASKET, V.SEAT 1.0	1.0T		
17		400912-00910	1	NUT, CAP 4			
18		900220-05010	2	SCREW 5*10	5*10		
19		101010-16431	1	GASKET, CYL. BASE			
22		100011-16431	2	RING, PISTON			
23		100010-16431	1	PISTON			
24		100013-16430	1	PIN, PISTON	10*15*40		
25		100015-16430	2	CIRCLIP, PISTON PIN			
26		100012-16430	1	BEARING, NEEDLE			
27		100100-16430	1	CRANKSHAFT ASSY			
28		100142-32930	1	KEY, WOODRUFF			
29		100014-16430	2	SPACER, PISTON PIN			
30		437412-16430	1	TUBE, PROTECTOR			
31		437205-16430	1	PIPE			
32		132115-12330		GROMMET			
32		436205-14730	1	STRAINER, OIL			

# 1. Cylinder, Crankcase, Piston

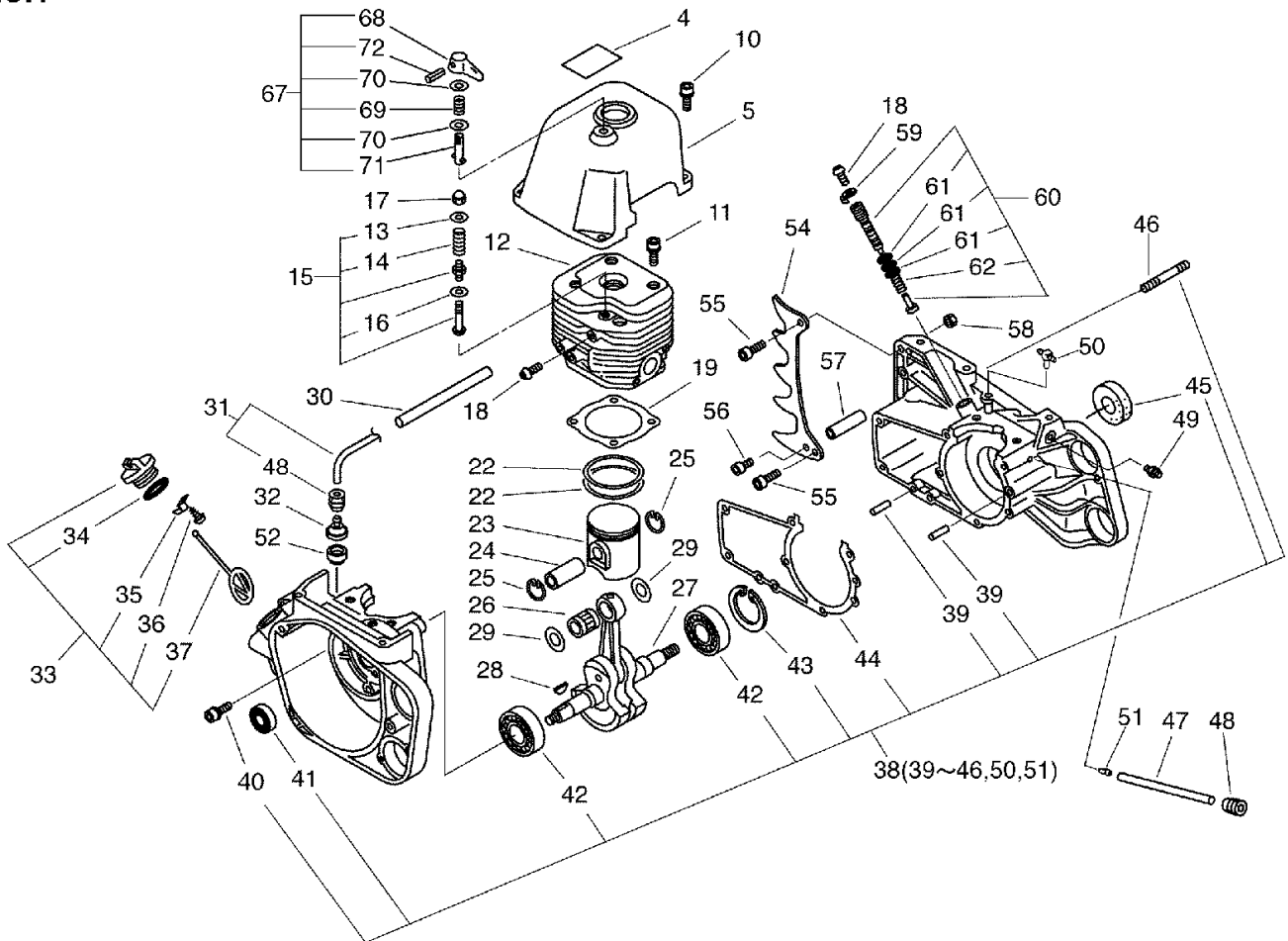
No.1



KEY	LV	PART NUMBER	Q'TY	DESCRIPTION	REMARKS	NOTE1	NOTE2
33		436001-60730	1	CAP ASSY, OIL TANK			
34	+	900720-00025	1	O-RING 25	P-25		
35	+	131050-19830	1	RETAINER, LINK			
36	+	900246-03008	1	SCREW 3*8	3*8		
37	+	131051-19830	1	LINK	60L		
38		100200-16430	1	CRANKCASE SET (BS)		Sus. by 100204-16430	
38		100204-16430	1	CRANKCASE KIT			
39	+	100215-02830	2	PIN, DOWEL			
40	+	900162-06030	8	BOLT, H.S. 6*30	6*30W, SW		
41	+	100213-16430	1	OILSEAL	ISD 17*28*7		
42	+	900810-06204	2	BEARING, BALL 6204	6204		
43	+	900702-00047	1	CIRCLIP 47	CR-47		
44	+	100242-16430	1	GASKET, CRANKCASE			
45	+	100212-16431	1	OILSEAL	ISCMD 20*47*8		
46	+	433011-16430	2	STUD, GUIDE BAR			
50	+	437201-14730	1	CONNECTOR KIT			
51	+	130113-12330	1	CONNECTER			
47		130110-16430	1	PIPE, IMPULSE	3*6*140L		
48		132115-12330	1	GROMMET			
49		437052-00330	1	CONNECTOR			
52		436212-16431	1	COVER, OIL STRAINER			
54		880210-16431	1	BUMPER, SPIKED			
55		900105-06020	2	BOLT, H.S. 6*20	6*20		
56		900167-05014	1	BOLT, H.S. 5*14	-5*14 W,SW		

# 1. Cylinder, Crankcase, Piston

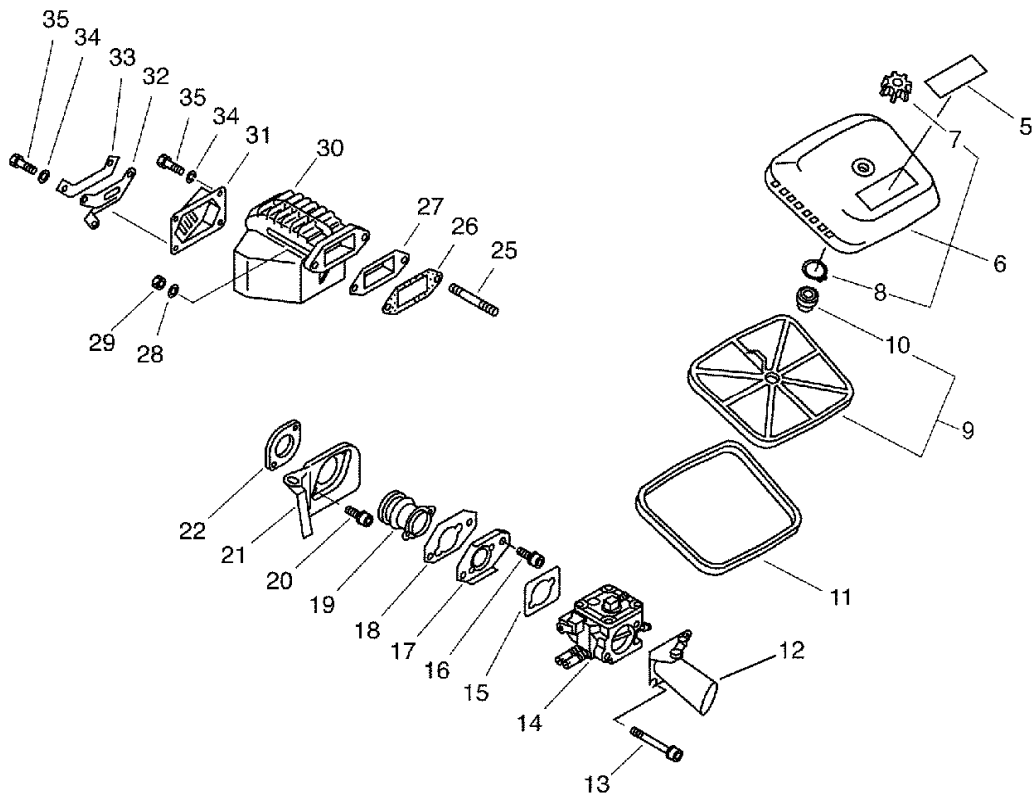
No.1



KEY	LV	PART NUMBER	Q'TY	DESCRIPTION	REMARKS	NOTE1	NOTE2
57		433026-16430	1	CATCHER, CHAIN			
58		145713-00630	2	LOCKNUT 6			
59		437059-11133	1	LOCKWASHER			
60		437000-16430	1	AUTO-OILER ASS'Y			
61	+	437020-02830	3	O-RING (S-5)			
62	+	437019-02830	1	SPRING, OILER			
67		179805-32930	1	LEVER, COMP. RELEASE			
68	+	179815-16432	1	BUTTON, C, RELEASE			
69	+	179812-16431	1	SPRING			
70	+	900600-00005	2	WASHER 5	5		
71	+	179806-16431	1	SHAFT, COMP. RELEASE			
72	+	900345-20014	1	PIN, SPRING 2*14	2*14		

## 2. Air Cleaner, Muffler

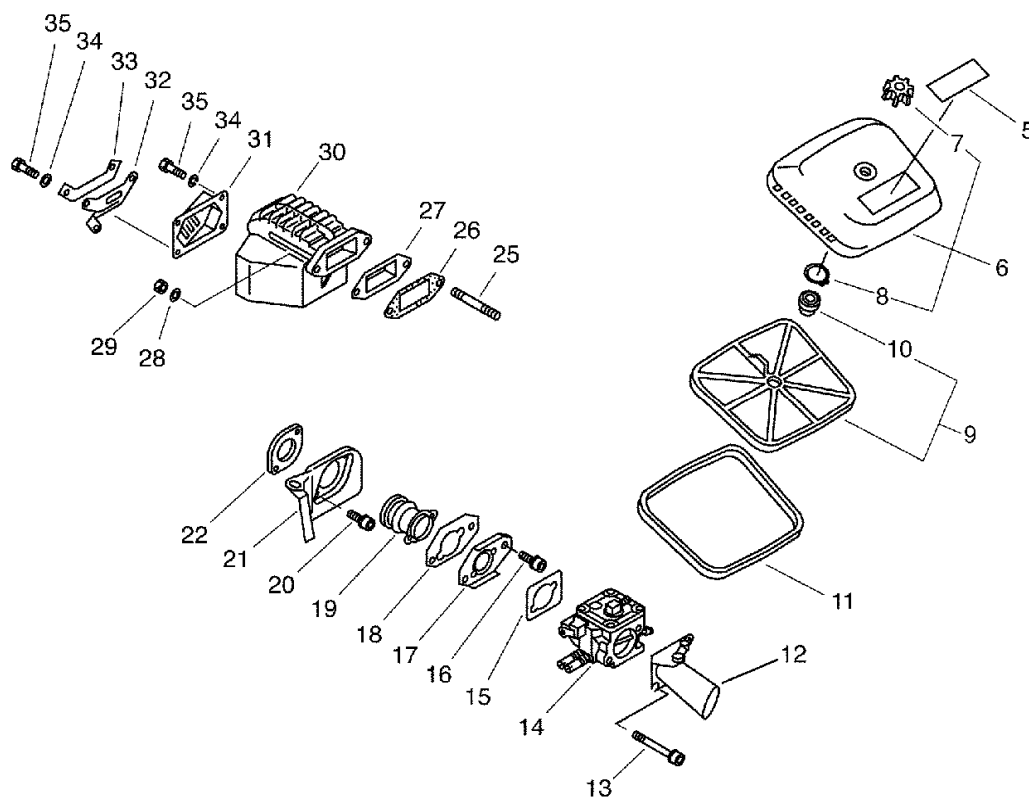
No.2



KEY	LV	PART NUMBER	Q'TY	DESCRIPTION	REMARKS	NOTE1	NOTE2
72	+	900345-20014	1	PIN, SPRING 2*14	2*14		

### 3. Carburetor

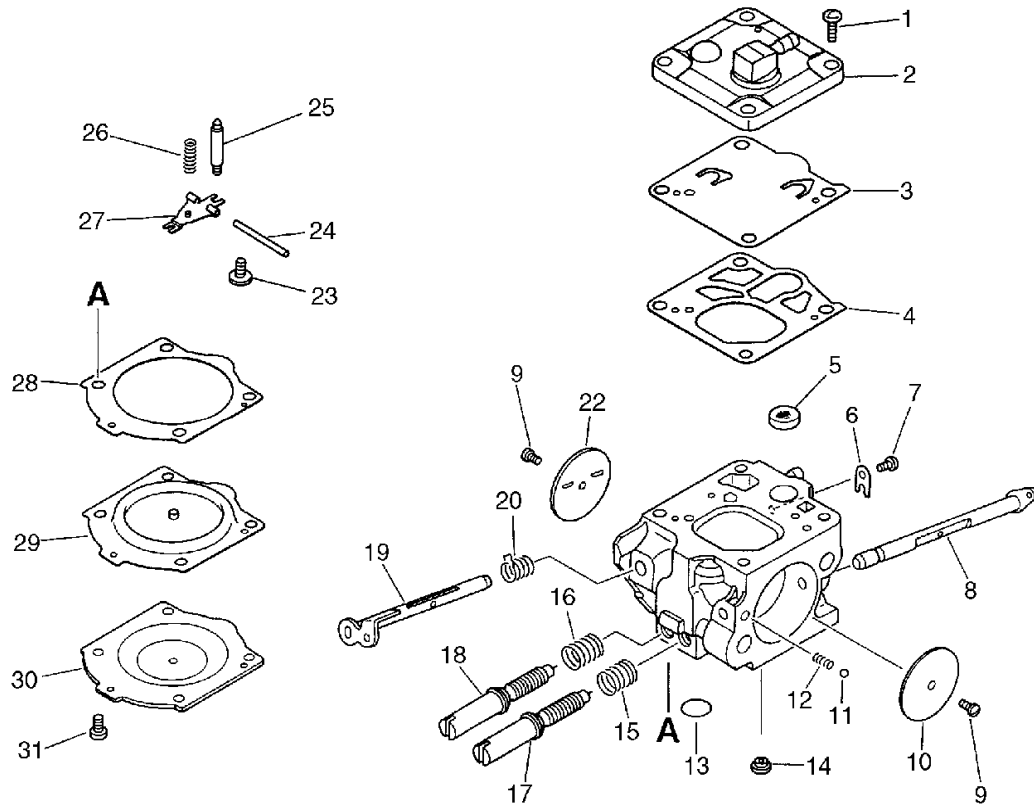
No.2



KEY	LV	PART NUMBER	Q'TY	DESCRIPTION	REMARKS	NOTE1	NOTE2
72	+	900345-20014	1	PIN, SPRING 2*14	2*14		

# 4. Starter, Magneto

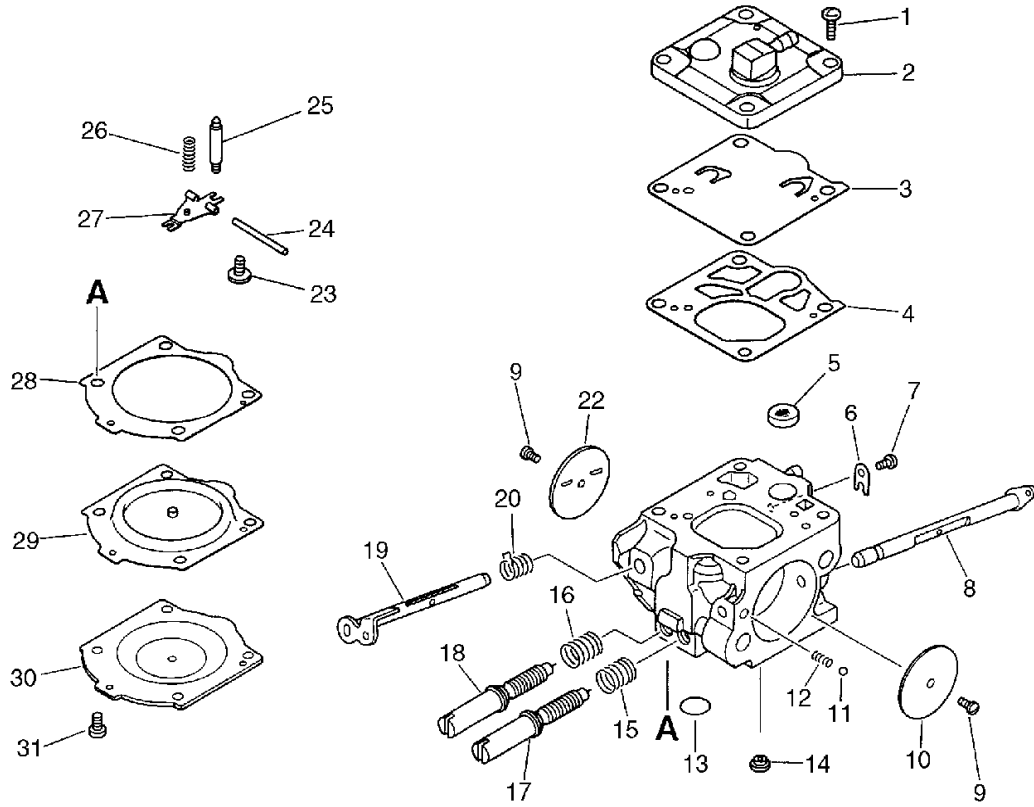
No.3



KEY	LV	PART NUMBER	Q'TY	DESCRIPTION	REMARKS	NOTE1	NOTE2
72	+	900345-20014	1	PIN, SPRING 2*14	2*14		

5. Handle

No.3

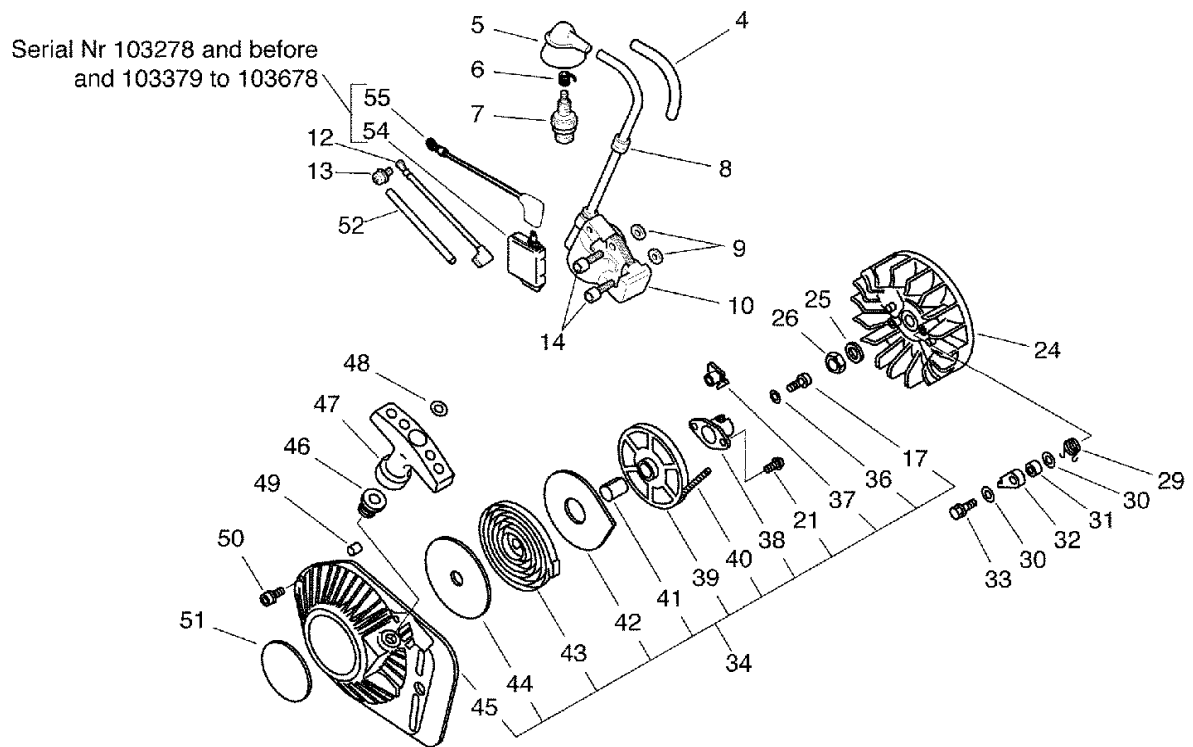


KEY	LV	PART NUMBER	Q'TY	DESCRIPTION	REMARKS	NOTE1	NOTE2
72	+	900345-20014	1	PIN, SPRING 2*14	2*14		



# 6. Clutch, Sprocket, Tools

No.4



KEY	LV	PART NUMBER	Q'TY	DESCRIPTION	REMARKS	NOTE1	NOTE2
72	+	900345-20014	1	PIN, SPRING 2*14	2*14		

**Index**

<b>Patrs Number</b>	<b>Key No.</b>	<b>Patrs Number</b>	<b>Key No.</b>	<b>Patrs Number</b>	<b>Key No.</b>
100010-16431	1 - 23	122127-00230	5 - 6	145605-32930	2 - 30
100011-16431	1 - 22	122131-32930	5 - 8	145605-32930	3 - 30
100012-16430	1 - 26	122132-10630	5 - 10	145633-16430	2 - 27
100013-16430	1 - 24	122135-00230	5 - 12	145633-16430	3 - 27
100014-16430	1 - 29	122136-00230	5 - 11	145642-16431	2 - 33
100015-16430	1 - 25	122137-00230	5 - 25	145642-16431	3 - 33
100100-16430	1 - 27	122138-00230	5 - 24	145713-00630	1 - 58
100142-32930	1 - 28	122139-00231	5 - 23	145713-00630	2 - 29
100144-12331	4 - 26	122140-00230	5 - 28	145713-00630	3 - 29
100146-00310	4 - 25	122141-00230	5 - 29	145713-00630	6 - 4
100200-16430	1 - 38	122142-14730	3 - 30	145720-16431	2 - 32
100204-16430	1 - 38	122142-14730	5 - 30	145720-16431	3 - 32
100212-16431	1 - 45	122144-00231	3 - 31	145818-14730	2 - 31
100213-16430	1 - 41	122144-00231	5 - 31	145818-14730	3 - 31
100215-02830	1 - 39	122145-00230	5 - 13	150112-00310	4 - 8
100242-16430	1 - 44	122147-32930	5 - 14	150117-16430	4 - 9
100618-16431	6 - 32	130011-16430	2 - 21	150126-16431	4 - 10
101010-16431	1 - 19	130011-16430	3 - 21	150200-16431	4 - 24
101011-16433	1 - 12	130012-32930	2 - 18	150611-14730	4 - 52
101014-16430	2 - 25	130012-32930	3 - 18	152601-32931	4 - 54
101014-16430	3 - 25	130013-16431	2 - 17	152605-32930	5 - 74
101100-16430	1 - 15	130013-16431	3 - 17	156114-06330	5 - 79
101112-02830	1 - 16	130037-16430	2 - 15	159011-03432	4 - 6
101112-12430	1 - 16	130037-16430	3 - 15	159012-16430	4 - 5
101112-32930	1 - 16	130110-16430	1 - 47	159017-16431	4 - 7
101113-02830	1 - 14	130113-12330	1 - 51	159312-32930	5 - 77
101114-02831	1 - 13	130302-16430	2 - 6	159319-32930	5 - 73
101507-16430	4 - 45	130302-16430	3 - 6	162010-14732	5 - 36
101514-16432	1 - 5	130305-16430	2 - 9	162010-16430	4 - 12
101522-16430	4 - 49	130305-16430	3 - 9	162010-32930	4 - 55
122000-32930	2 - 14	130312-16430	2 - 10	162021-32930	5 - 70
122000-32930	3 - 14	130312-16430	3 - 10	163400-19830	5 - 47
122000-32930	5 -	130331-16430	2 - 11	163400-19831	5 - 47
122110-00231	5 - 1	130331-16430	3 - 11	175000-16434	6 - 20
122112-00230	5 - 4	130406-00330	2 - 7	175004-16430	6 - 21
122113-32930	5 - 20	130406-00330	3 - 7	175006-16434	6 - 30
122114-00231	5 - 7	130510-16431	2 - 19	175012-16430	6 - 31
122114-00231	5 - 9	130510-16431	3 - 19	175016-16430	6 - 27
122116-32930	5 - 22	130512-14731	2 - 22	175017-16432	6 - 24
122117-32930	5 - 19	130512-14731	3 - 22	175019-16432	6 - 25
122118-32930	5 - 18	130714-16430	2 - 12	175021-16430	6 - 26
122119-10630	5 - 15	130714-16430	3 - 12	175029-16431	6 - 23
122120-32930	5 - 17	131050-19830	1 - 35	177200-16431	4 - 34
122121-10630	5 - 16	131051-19830	1 - 37	177215-10632	4 - 39
122122-00230	5 - 26	131410-00330	5 - 37	177216-10630	4 - 41
122123-00230	5 - 27	132115-12330	1 -	177218-02830	4 - 32
122124-14730	5 - 2	132115-12330	1 - 48	177220-10631	4 - 43
122125-00230	5 - 3	145510-16431	2 - 26	177221-10630	4 - 44
122126-00230	5 - 5	145510-16431	3 - 26	177226-14730	4 - 40

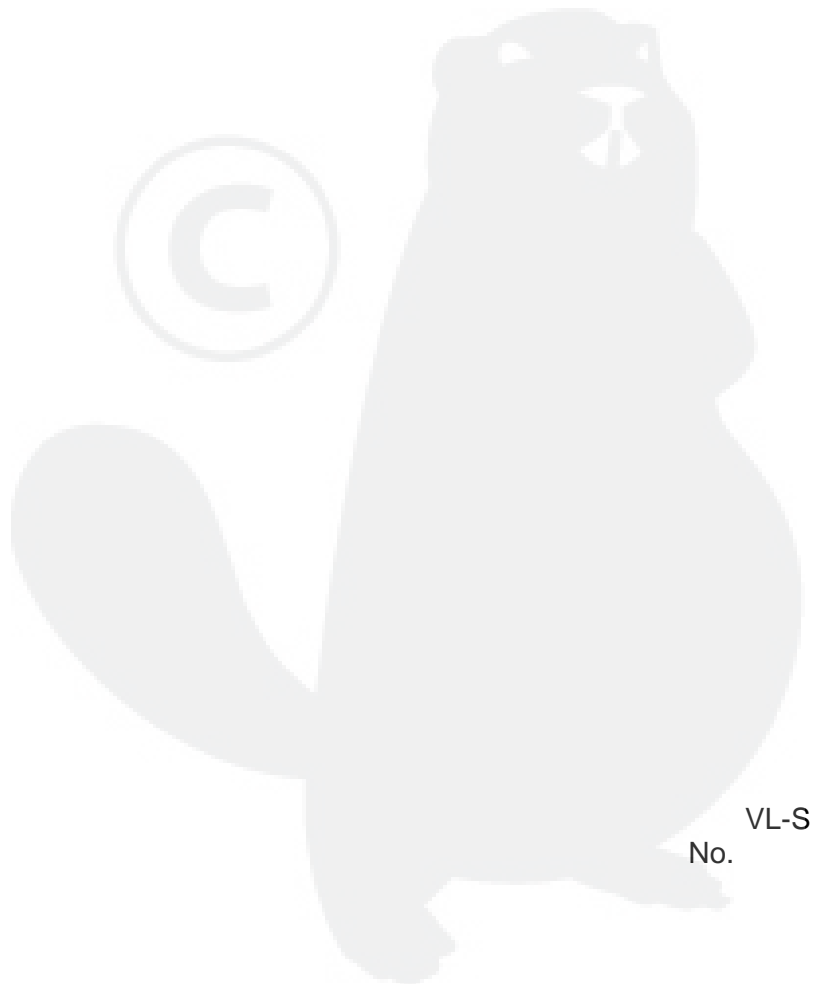
**Index**

<b>Patrs Number</b>	<b>Key No.</b>	<b>Patrs Number</b>	<b>Key No.</b>	<b>Patrs Number</b>	<b>Key No.</b>
177227-07060	4 - 46	437111-00231	5 - 59	900345-20014	1 - 72
177228-16430	4 - 47	437119-14731	5 - 62	900500-00004	5 - 72
177229-16430	4 - 48	437201-14730	1 - 50	900500-00006	5 - 75
177234-14730	4 - 29	437205-16430	1 - 31	900560-00005	6 - 22
177242-14730	4 - 42	437206-16430	5 - 66	900600-00002	5 - 38
177243-02833	4 - 38	437207-32930	5 - 65	900600-00005	1 - 70
177246-10631	4 - 37	437211-16431	5 - 64	900600-00006	2 - 28
177247-02830	4 - 31	437221-16430	5 - 68	900600-00006	3 - 28
178010-05260	5 - 43	437412-16430	1 - 30	900600-00006	4 - 30
178011-16430	5 - 41	437412-16430	5 - 67	900605-00006	5 - 78
178043-16430	5 - 51	880210-16431	1 - 54	900701-00011	2 - 8
178090-16430	5 - 45	880210-16431	6 - 3	900701-00011	3 - 8
178091-16430	5 - 44	890034-32930	3 - 5	900702-00047	1 - 43
178211-05260	5 - 40	890112-38130	4 - 51	900720-00006	5 - 63
178302-12330	5 - 52	890118-17930	4 - 51	900720-00025	1 - 34
178516-00830	2 - 34	890118-35030	6 - 6	900810-06204	1 - 42
178516-00830	3 - 34	890149-16430	1 - 4		
179805-32930	1 - 67	890157-16430	5 - 48		
179806-16431	1 - 71	895410-10630	6 - 39		
179812-16431	1 - 69	895610-00130	6 - 37		
179815-16432	1 - 68	895611-00330	6 - 36		
300217-00610	4 - 36	895811-00130	6 - 38		
351110-16431	5 - 49	900100-06016	4 - 33		
351111-16430	5 - 50	900105-06020	1 - 55		
400912-00910	1 - 17	900150-05015	2 - 35		
433011-16430	1 - 46	900150-05015	3 - 35		
433012-16430	6 - 9	900162-05020	2 - 20		
433013-16430	6 - 14	900162-05020	3 - 20		
433014-16430	6 - 16	900162-05025	4 - 14		
433016-16430	6 - 17	900162-05050	2 - 13		
433019-10631	6 - 5	900162-05050	3 - 13		
433021-16430	6 - 7	900162-06025	1 - 11		
433025-16430	6 - 8	900162-06030	1 - 40		
433026-16430	1 - 57	900162-06035	5 - 71		
433035-16430	6 - 13	900167-05014	1 - 56		
436001-60730	1 - 33	900167-05014	2 - 16		
436205-14730	1 - 32	900167-05014	3 - 16		
436212-16431	1 - 52	900167-05014	4 - 17		
437000-16430	1 - 60	900167-06025	1 - 10		
437012-00330	5 - 57	900167-06025	4 - 50		
437013-00330	5 - 56	900220-03006	6 - 10		
437019-02830	1 - 62	900220-05010	1 - 18		
437020-02830	1 - 61	900238-04010	5 - 76		
437052-00330	1 - 49	900242-04012	4 - 13		
437052-00330	5 - 58	900242-04012	4 - 21		
437059-11133	1 - 59	900246-03008	1 - 36		
437100-16430	5 - 53	900300-20015	5 - 39		
437101-14730	5 - 61	900342-40018	5 - 46		
437102-16430	5 - 55	900342-50025	5 - 42		

# YAMABIKO CORPORATION

7-2 SUEHIROCHO 1-CHOME, OHME, TOKYO 198-8760, JAPAN  
PHONE: 81-428-32-6118. FAX: 81-428-32-6145.

**ECHO**®



VL-S  
No.