

RM-3020T

Serial Number

U75340000001-U75340999999

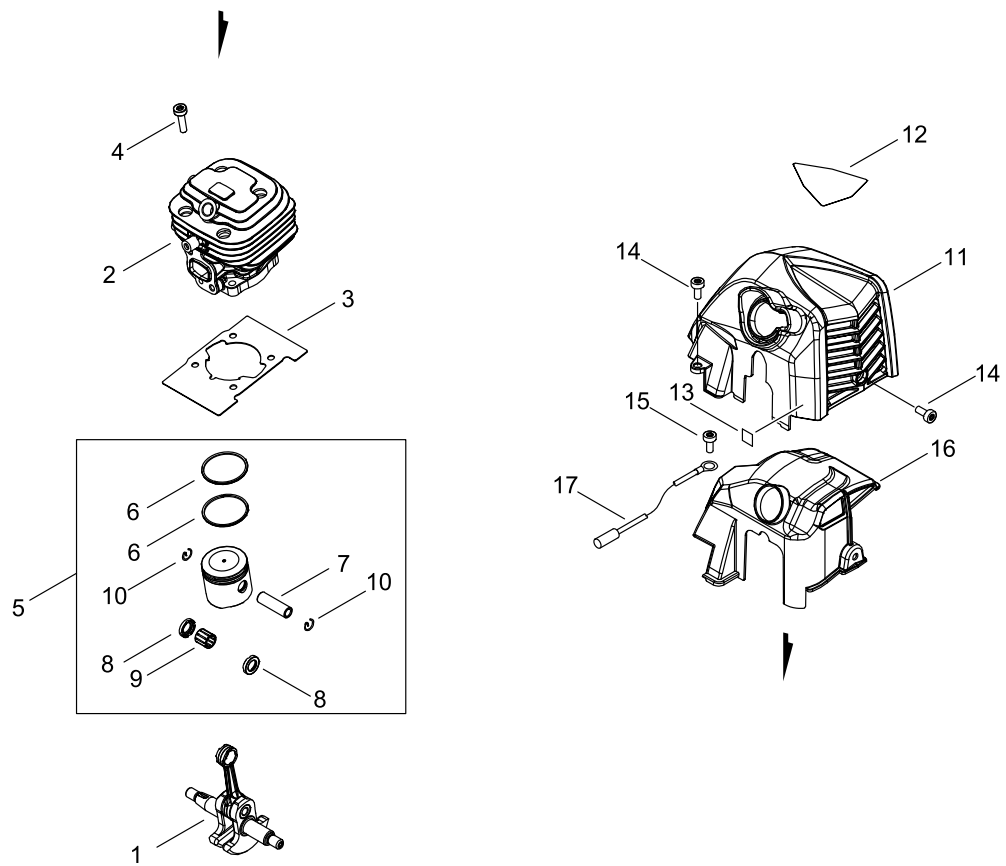
Last updated date

14/Dec/2022

TABLE OF CONTENTS

CYLINDER, PISTON, CRANKSHAFT	1
CRANKCASE	3
MAGNETO.....	5
CLUTCH.....	7
AIR CLEANER, CARBURETOR.....	9
CARBURETOR.....	11
FUEL TANK	13
MUFFLER.....	15
RECOIL STARTER, PULLY	17
BACKPACK HARNESS	19
GEAR CASE, SHIELD	21
MAIN PIPE, HANDLE.....	23
THROTTLE.....	25
ACCESSORIES	27

CYLINDER, PISTON, CRANKSHAFT



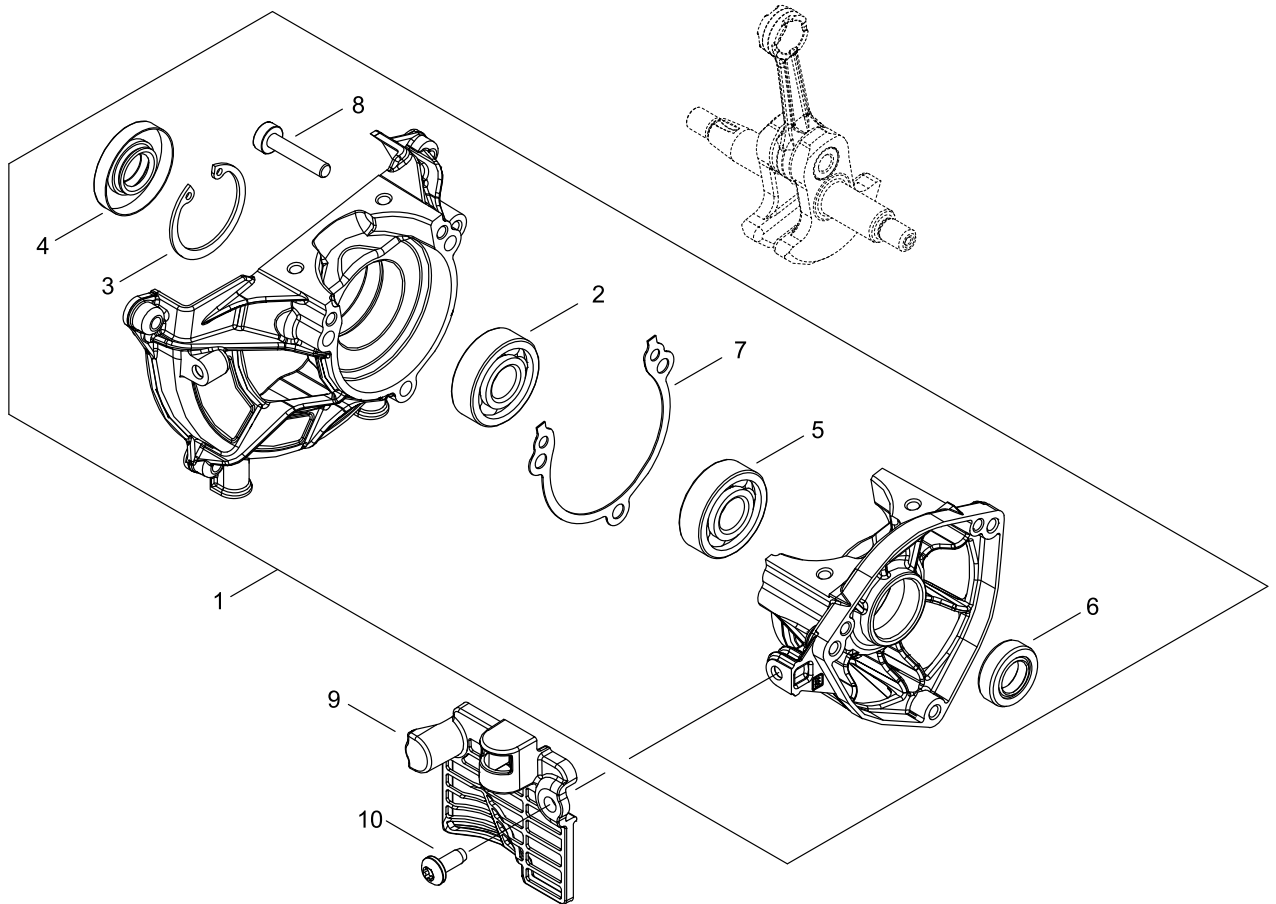
CYLINDER, PISTON, CRANKSHAFT

Key No.	LV (+)	Parts Number	Parts Description	Qty	Standard	Class
1		A011-001540	CRANKSHAFT,ASY	1		D
2		A130-002440	CYLINDER	1	36 4T ALFED	D
3		V100-000870	GASKET,CYL	1	T:0.8	B
4		V805-000210	BOLT, TORX 5	4	TB-5*20 12.9	C
5		P100-005250	PISTON KIT	1		
6	+	A101-000740	RING, PISTON	2	36*1.2*1.5	B
7	+	100013-27430	PIN, PISTON	1		D
8	+	100014-53630	SPACER, PISTON PIN	2		C
9	+	100012-16131	BEARING, NEEDLE	1		C
10	+	100015-03931	CIRCLIP, PISTON PIN	2		C
11		A160-003840	COVER,CYLINDER	1		C
12		X547-003870	LABEL,ECHO	1	ECHO+RM-3020T	D
13		X524-001901	LABEL	1		D
14		V203-002550	BOLT,5	2	TB5*12	C
15		A160-003470	COVER,CYLINDER	1	INNER COVER	C
16		V805-000140	BOLT, TORX 5	1	TB-5*12 10.9	C
17		V485-003060	LEAD	1	CB104,LA105 L230	C

Class : Consumable class

A:Fast moving parts B:Semi-fast moving parts C:Slow moving parts D:Order only as needed

CRANKCASE



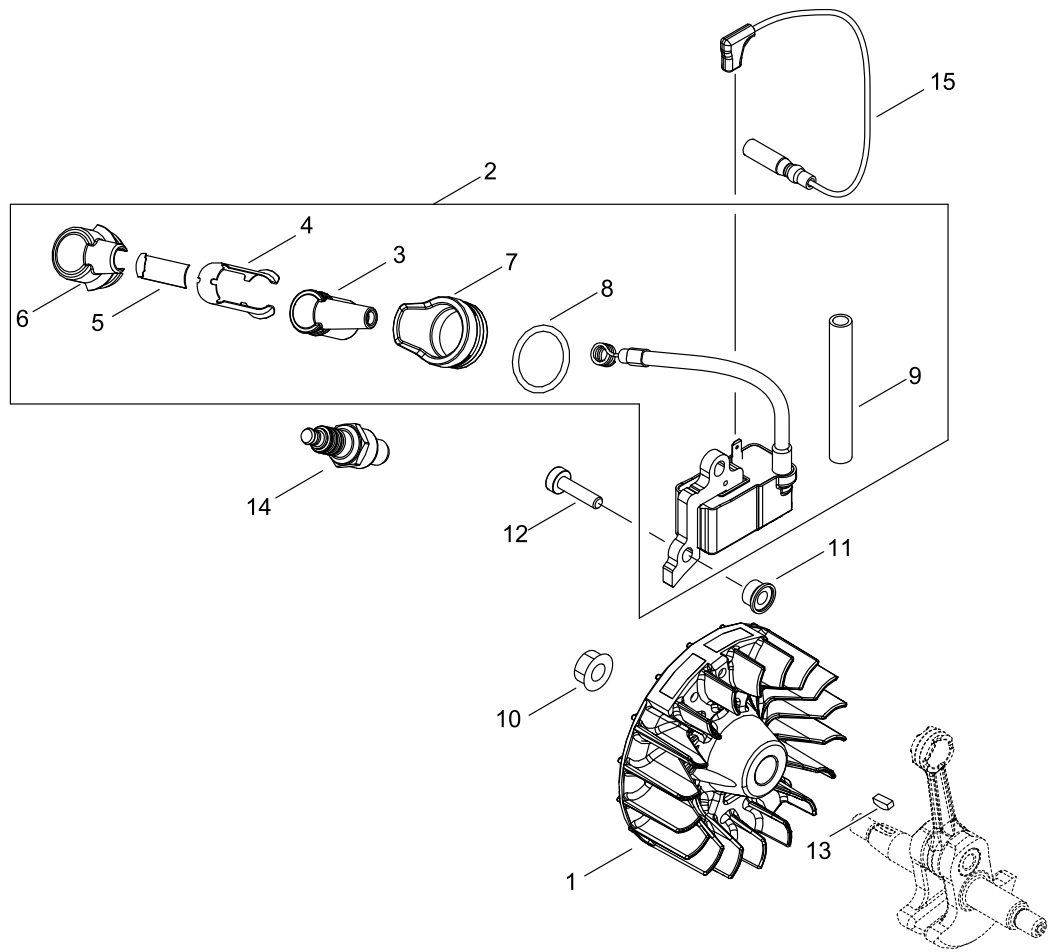
CRANKCASE

Key No.	LV (+)	Parts Number	Parts Description	Qty	Standard	Class
1		P100-005260	CRANKCASE SET	1		
2	+	94035-36201	BEARING, BALL	1	6201	
3	+	900702-00032	RETAINING RING	1	CR-32	
4	+	100212-03930	OILSEAL	1	ISCX12*32*5.5	C
5	+	94035-36201	BEARING, BALL	1	6201	
6	+	100213-05530	OILSEAL	1	ISCD 12 22 7	C
7	+	V102-000310	GASKET,CRANKCASE	1	T:0.5	B
8	+	V805-000220	BOLT, TORX 5	3	TB-5*25 12.9	C
9		A127-000620	COVER,DUST	1		C
10		V805-000240	BOLT, TORX 5	1	TT-5*12 DG 10.9	C

Class : Consumable class

A:Fast moving parts B:Semi-fast moving parts C:Slow moving parts D:Order only as needed

MAGNETO



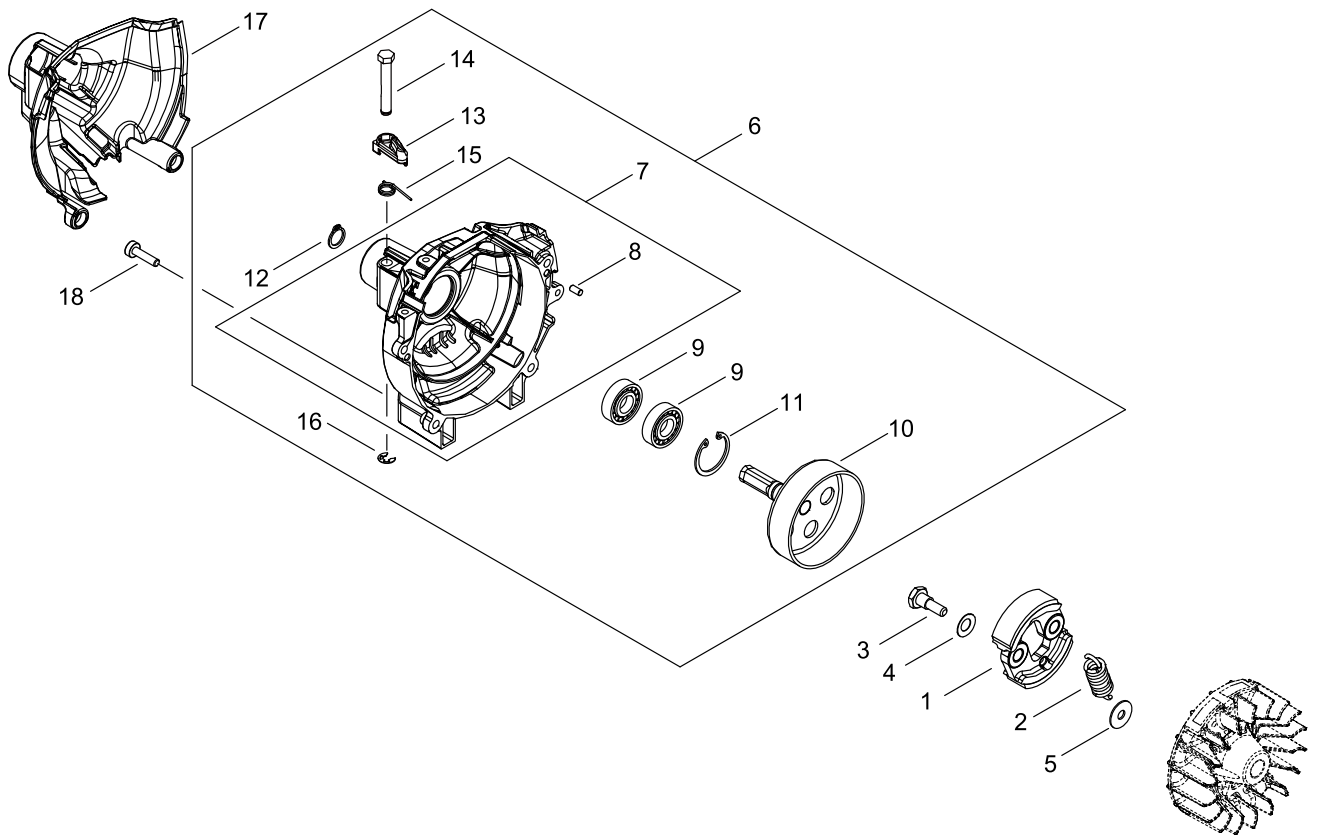
MAGNETO

Key No.	LV (+)	Parts Number	Parts Description	Qty	Standard	Class
1		A409-001350	ROTOR, MAGNETO	1	ID#R10036	C
2		P200-001700	COIL, IGNITION	1		
3	+	A427-000090	PLUG CAP	1		C
4	+	V151-000170	PLATE,CUP	1		C
5	+	V151-000210	PLATE,CUP	1		C
6	+	A429-000110	PLUG CAP COVER	1		C
7	+	J473-000120	PIECE,COVER	1		
8	+	900720-00022	O-RING	1	P-22	
9	+	V475-007550	TUBE	1		C
10		900515-00008	NUT, FLANGE	1	8	
11		V323-000130	WASHER,CIRCULAR 5	2		C
12		V835-000030	BOLT, TORX 5	2	TB-5*20 10.9	C
13		100142-12330	KEY, WOODRUFF	1		C
14		A425-000060	SPARKPLUG	1	CMR7H	A
15		V485-003050	LEAD	1	CB104/L245	C

Class : Consumable class

A:Fast moving parts B:Semi-fast moving parts C:Slow moving parts D:Order only as needed

CLUTCH



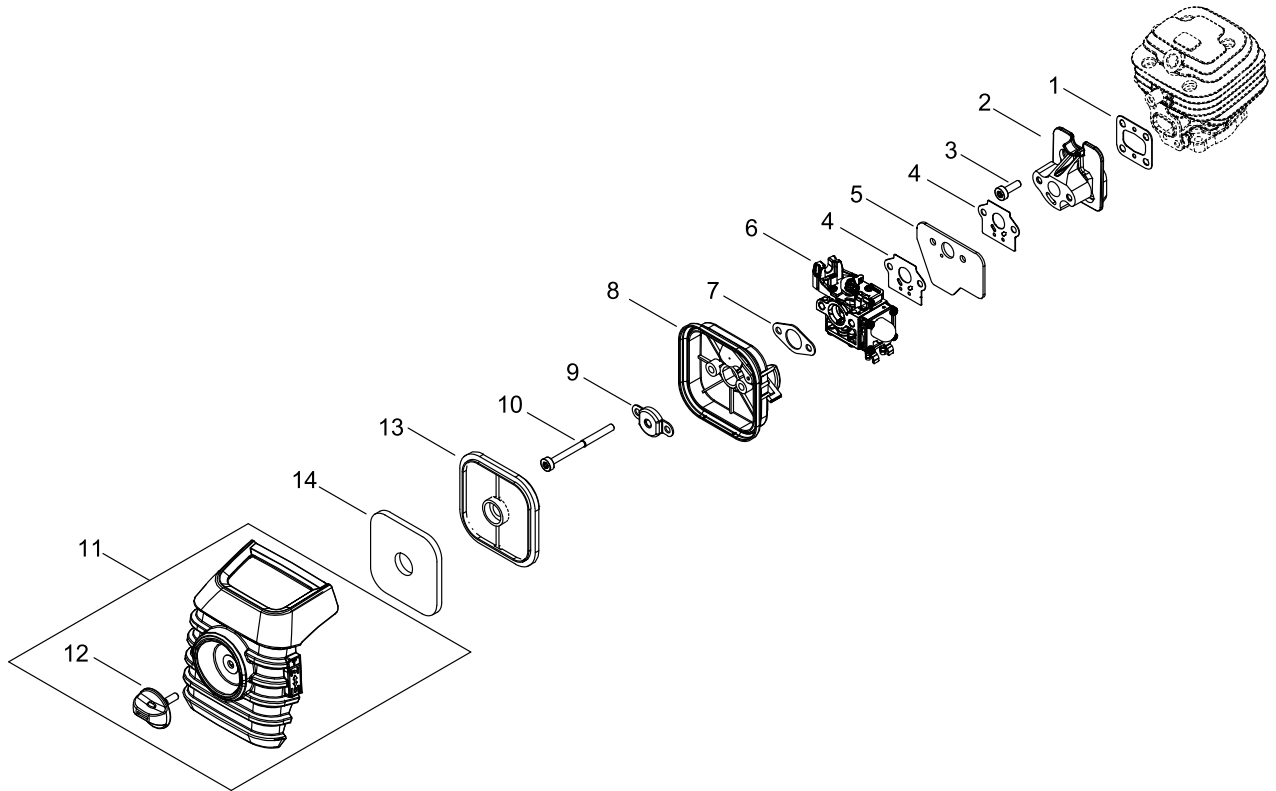
CLUTCH

Key No.	LV (+)	Parts Number	Parts Description	Qty	Standard	Class
1		P100-012560	CLUTCH SHOE SET	1		B
2		A566-000330	SPRING, CLUTCH	1		B
3		175046-56030	SHAFT, CLUTCH	2		B
4		175049-56030	WASHER	2	8.5*16*0.5	C
5		175048-05530	WASHER (I)	2	6.2*19*1.0	C
6		P100-012570	FAN COVER ASY	1		C
7	+	A172-003810	COVER,FAN	1		C
8	++	900330-40080	ROLLER	2	4*8	
9	+	94018-46001	BEARING, BALL	2	6001LB	
10	+	A556-001980	DRUM, CLUTCH	1	64 6.9	B
11	+	900702-00028	RETAINING RING	1	CR-28	
12	+	900701-00012	RETAINING RING	1	CS-12	
13	+	C661-000010	LEVER, RELEASE	1		C
14	+	C663-000000	SHAFT, RELEASE	1		C
15	+	V452-001980	SPRING,TORSION	1		B
16	+	900700-00005	RETAINING RING	1	CE-5	
17		A413-000200	BOOT	1		C
18		V805-000160	BOLT, TORX 5	4	TB-5*20 10.9	C

Class : Consumable class

A:Fast moving parts B:Semi-fast moving parts C:Slow moving parts D:Order only as needed

AIR CLEANER, CARBURETOR



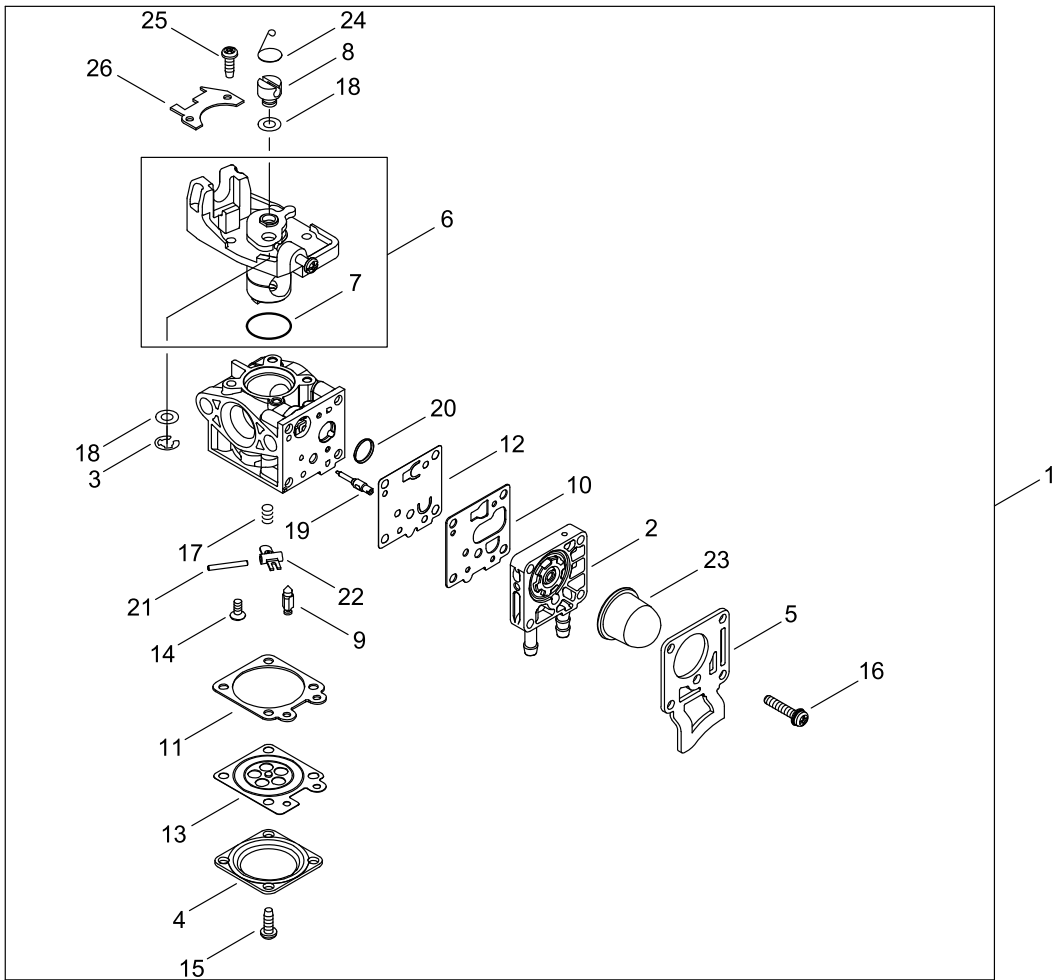
AIR CLEANER, CARBURETOR

Key No.	LV (+)	Parts Number	Parts Description	Qty	Standard	Class
1		V103-002240	GASKET,INTAKE	1	T0.5	A
2		A200-001320	INSULATOR, INTAKE	1		C
3		V835-000000	BOLT, TORX 5	2		C
4		V103-000160	GASKET,INTAKE	2		A
5		A209-001180	PLATE, INSULATOR	1	T2.0	C
6		A021-004831	CARBURETOR,DIAPHRAGM	1	WYG-11" •	B
7		V103-001970	GASKET,INTAKE	1		A
8		P100-007350	CASE,CLEANER	1		
9		A244-000070	PLATE,PREVENT	1		C
10		V805-000100	BOLT, TORX 5	2	TB-5*65 10.9	C
11		P100-012580	CLEANER COVER ASY	1		C
12	+	V299-000250	KNOB,FASTENER	1		C
13		A226-000473	ELEMENT, AIR FILTER	1		A
14		A226-000371	ELEMENT, AIR FILTER	1		A

Class : Consumable class

A:Fast moving parts B:Semi-fast moving parts C:Slow moving parts D:Order only as needed

CARBURETOR



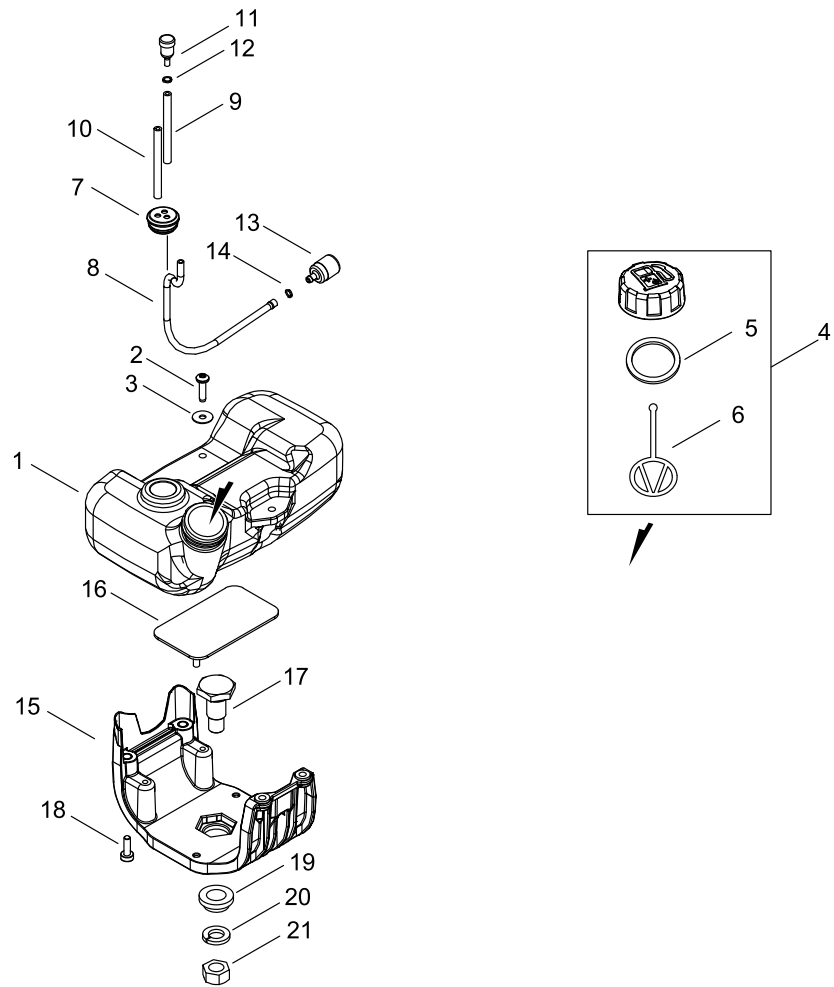
CARBURETOR

Key No.	LV (+)	Parts Number	Parts Description	Qty	Standard	Class
1		A021-004831	CARBURETOR,DIAPHRAGM	1	WYG-11" •	B
2	+	P003-006120	BODY ASSEMBLY, PUMP	1		
3	+	123173-07930	CLIP	1		C
4	+	123142-03930	COVER, M. DIAPHRAGM	1		D
5	+	P003-006500	COVER, FUEL PUMP	1		
6	+	P003-006130	VALVE, THROTTLE	1		
7	++	P003-004480	O-RING	1		
8	+	P003-005850	SWIVEL	1		
9	+	123137-19830	VALVE, INLET NEEDLE	1		D
10	+	P003-004530	GASKET, FUEL PUMP	1		
11	+	123140-27230	GASKET,M. DIAPHRAGM	1		A
12	+	P003-004540	DIAPHRAGM, FUEL PUMP	1		
13	+	P003-001670	DIAPHRAGM, METERING	1		
14	+	P003-005860	SCREW	1		
15	+	P003-004560	SCREW	4		
16	+	P003-004570	SCREW	4		
17	+	P003-005870	SPRING	1		
18	+	P003-001710	WASHER	2		
19	+	P003-005880	NEEDLE	1		D
20	+	123126-10631	SCREEN, INLET	1		B
21	+	123138-03930	PIN, METERING LEVER	1		D
22	+	P003-001630	LEVER, METERING	1		
23	+	123181-09560	PUMP, PRIMER	1		
24	+	P003-005890	CLIP	1		
25	+	123114-40630	SCREW	3		D
26	+	P003-005900	PLATE	1		

Class : Consumable class

A:Fast moving parts B:Semi-fast moving parts C:Slow moving parts D:Order only as needed

FUEL TANK



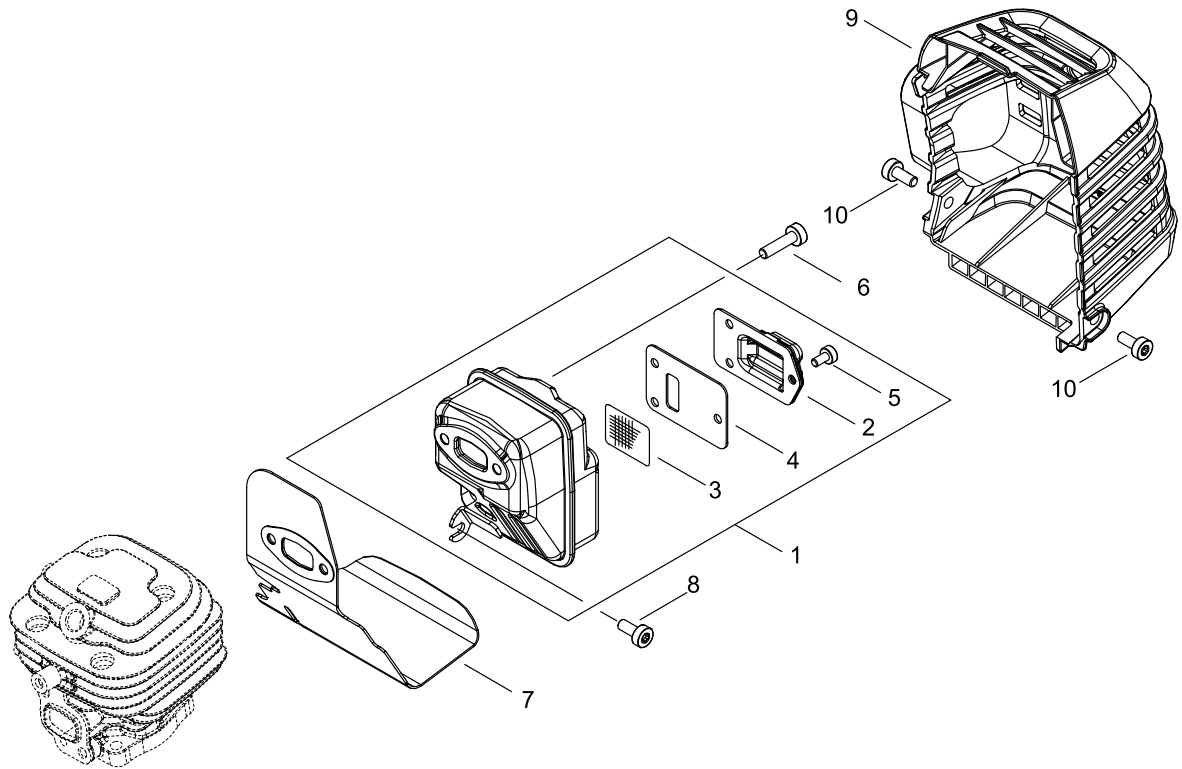
FUEL TANK

Key No.	LV (+)	Parts Number	Parts Description	Qty	Standard	Class
1		A350-002061	TANK, FUEL	1		C
2		V805-000010	BOLT, TORX 5	3	TT-5*20 DG 10.9	C
3		177214-02830	WASHER	3	5.2*16*1.0T	C
4		P021-012211	CAP,FUEL ASY	1		C
5	+	V107-000190	GASKET,FUEL CAP	1	37.9* T 2.2	A
6	+	A365-000060	CONNECTOR,CAP	1	L=123	B
7		132115-55931	GROMMET, FUEL	1	3 φ5	C
8		132010-00760	PIPE, FUEL	1	3*5*250L	C
9		V471-001881	PIPE	1	3*6*65	C
10		132010-14010	PIPE 3*6*100	1	3*6*100 YL	C
11		A356-000031	VALVE,CHECK	1		B
12		V490-001230	CLIP	1		C
13		A369-000420	STRAINER, FUEL	1	ES-16499	A
14		V490-001240	CLIP	1		C
15		A175-000420	STAND	1		C
16		A390-000040	SEAT,FUEL TANK	1		C
17		C633-000060	SHAFT, ROTATION	1		D
18		V805-000150	BOLT, TORX 5	4	TB-5*16 10.9	C
19		V371-000000	COLLAR,15	1	15*27*L9.5	C
20		900605-00012	WASHER, SPRING	1	12	
21		900500-00012	NUT	1	12	

Class : Consumable class

A:Fast moving parts B:Semi-fast moving parts C:Slow moving parts D:Order only as needed

MUFFLER



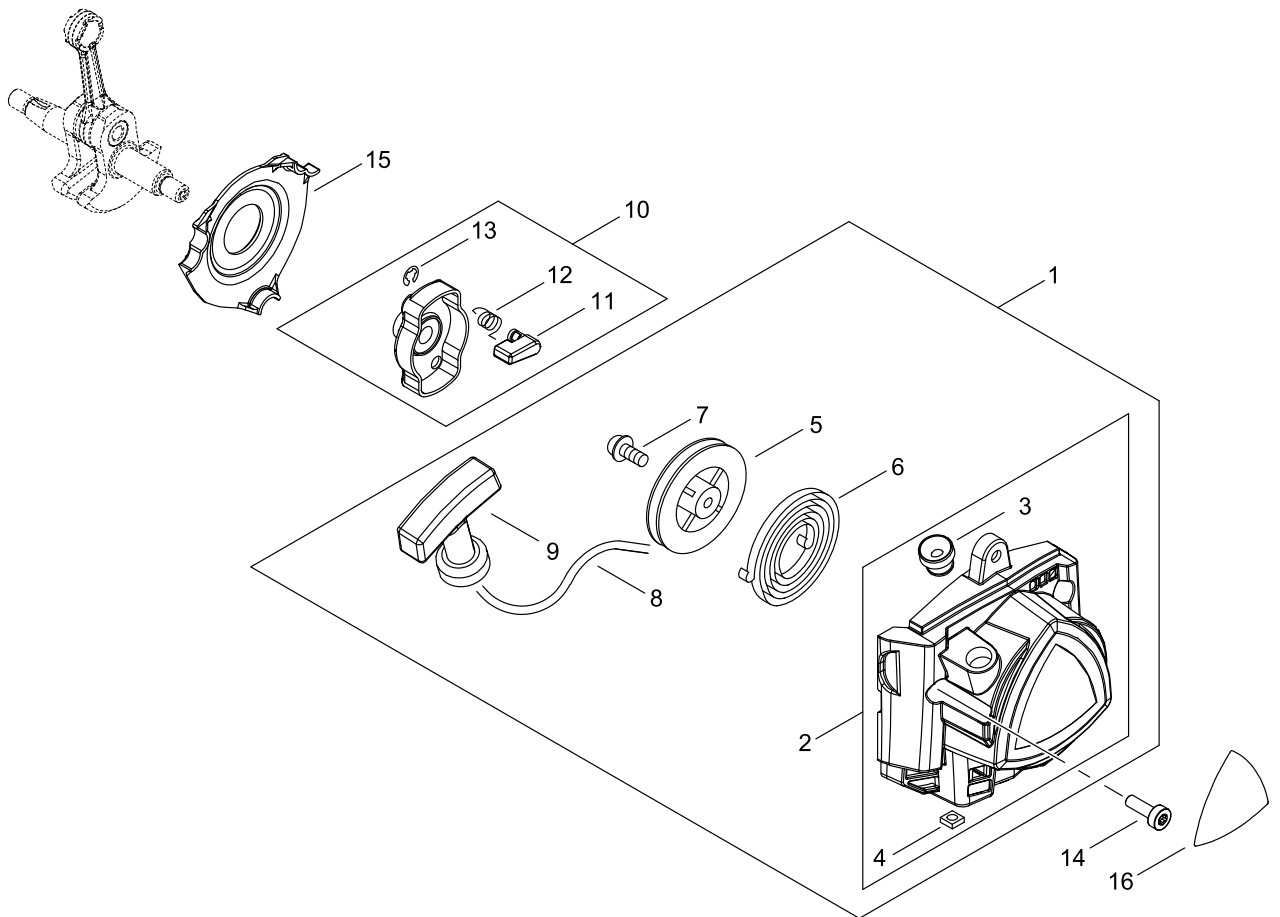
MUFFLER

Key No.	LV (+)	Parts Number	Parts Description	Qty	Standard	Class
1		P100-012590	MUFFLER ASY	1		C
2	+	A313-002080	GUIDE, EXHAUST	1	ID#2480	C
3	+	145862-40630	SCREEN, MUFFLER	1		B
4	+	V104-002600	GASKET,EXHAUST	1	NP7002 T1	A
5	+	V804-000030	BOLT, TORX 4	3	TB-4*8 10.9	C
6		V805-000210	BOLT, TORX 5	2	TB-5*20 12.9	C
7		V104-002390	GASKET,EXHAUST	1		A
8		V805-000300	BOLT, TORX 5	1	TB-5*12 12.9	C
9		A320-001340	COVER,MUFFLER	1		C
10		V203-002550	BOLT,5	2	TB5*12	C

Class : Consumable class

A:Fast moving parts B:Semi-fast moving parts C:Slow moving parts D:Order only as needed

RECOIL STARTER, PULLY



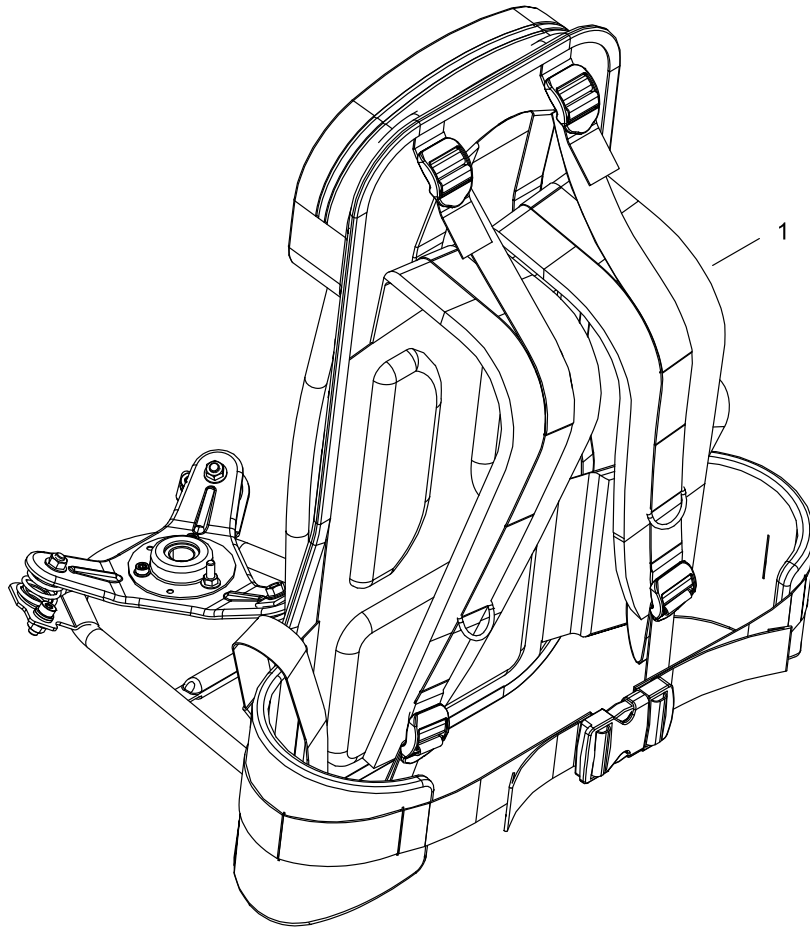
RECOIL STARTER, PULLY

Key No.	LV (+)	Parts Number	Parts Description	Qty	Standard	Class
1		A051-003360	STARTER,RECOIL ASY	1		B
2	+	P022-051020	STARTER,RECOIL	1		C
3	++	P022-045770	GUIDE, ROPE	1		C
4	++	900565-00005	NUT, SQUARE	2	5	
5	+	177215-43130	DRUM, STARTER	1		
6	+	177220-40630	SPRING, REWIND	1		
7	+	177236-44330	SCREW	1		
8	+	P022-051030	ROPE, STARTER	1		
9	+	P022-050910	GRIP, STARTER	1		
10		A052-000100	PULLEY,ASM STARTER	1		C
11	+	177218-40630	PAWL, STARTER	2	WHITE	
12	+	177234-40630	SPRING, RETURN	2		C
13	+	P022-002100	E-RING	2	4	C
14		V805-000150	BOLT, TORX 5	3	TB-5*16 10.9	C
15		A127-000530	COVER,DUST	1		C
16		X547-003860	LABEL,ECHO	1	ECHO+RM-3020T	D

Class : Consumable class

A:Fast moving parts B:Semi-fast moving parts C:Slow moving parts D:Order only as needed

BACKPACK HARNESS



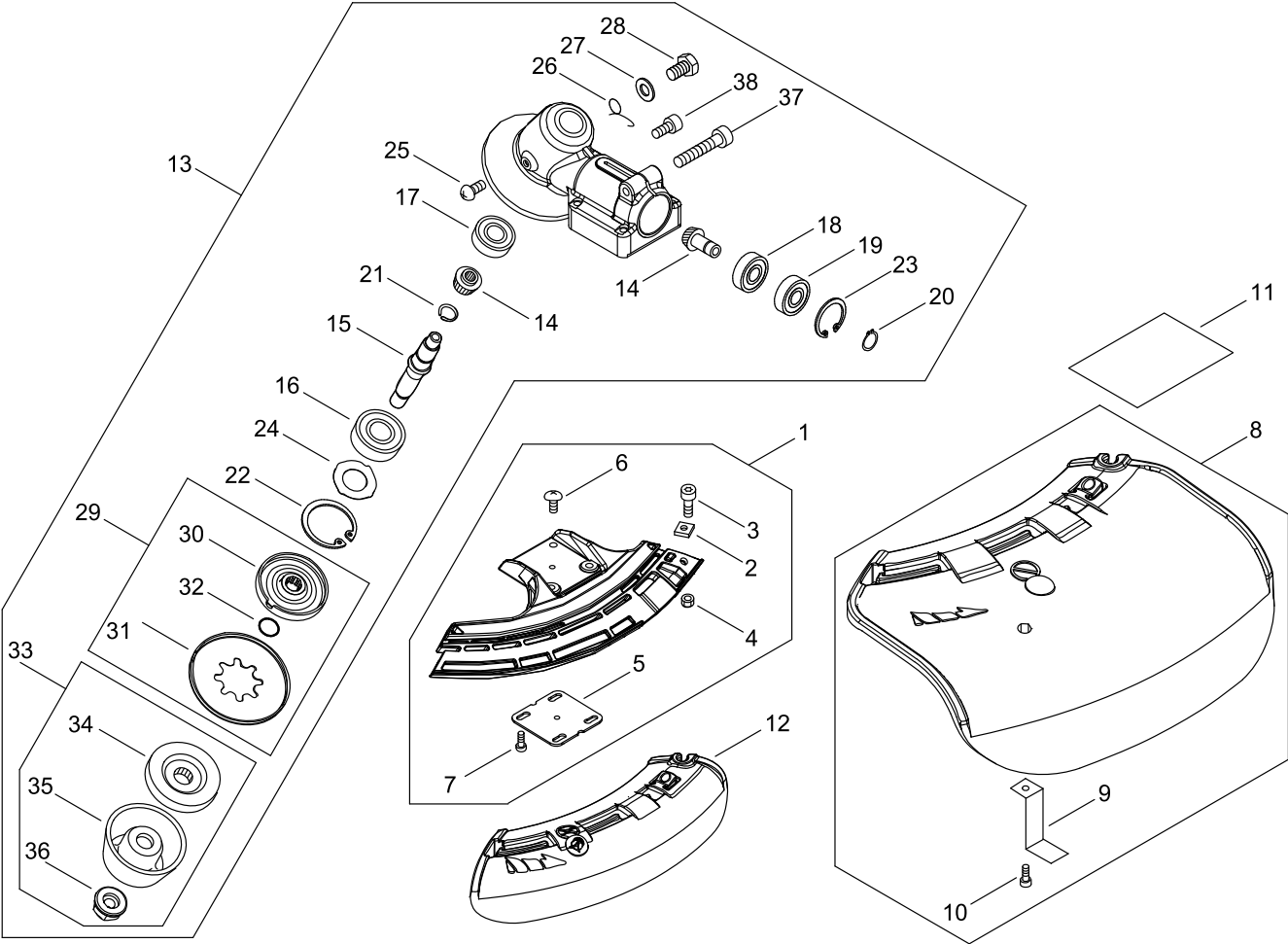
BACKPACK HARNESS

Key No.	LV (+)	Parts Number	Parts Description	Qty	Standard	Class
1		C066-000110	FRAME,ASM BACKPACK	1		C

Class : Consumable class

A:Fast moving parts B:Semi-fast moving parts C:Slow moving parts D:Order only as needed

GEAR CASE, SHIELD



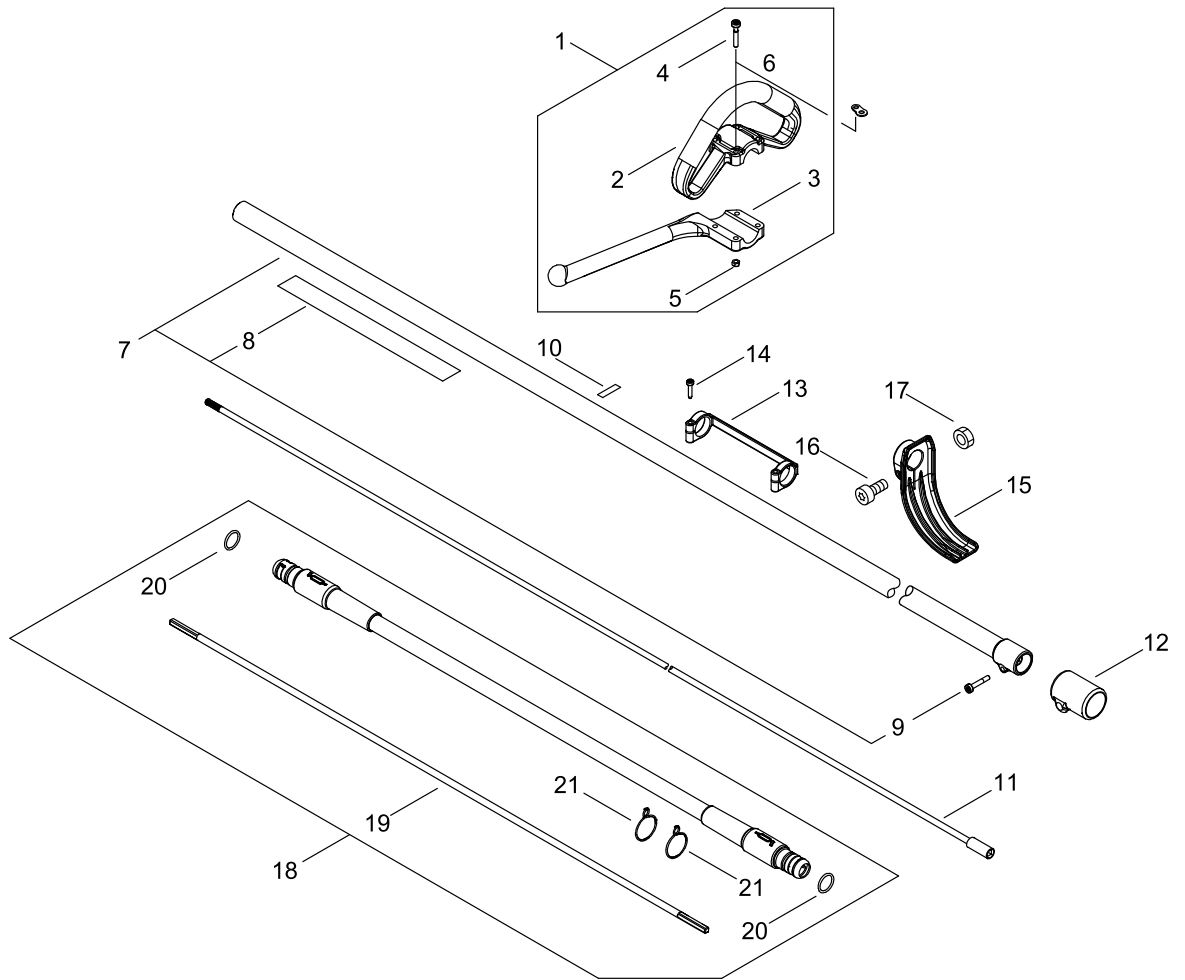
GEAR CASE, SHIELD

Key No.	LV (+)	Parts Number	Parts Description	Qty	Standard	Class
1		P100-010520	SHIELD ASY	1		B
2	+	900565-00005	NUT, SQUARE	1	5	
3	+	V805-000170	BOLT, TORX 5	1	TB-5*25 10.9	C
4	+	900562-00005	NUT, LOCK	1	5	
5	+	C552-000200	PLATE, SHIELD	1		D
6	+	91316-04010	SCREW	1	4*10	C
7	+	V805-000260	BOLT, TORX 5	4	TB5*25 10.9	C
8		P021-043982	SHIELD ASY, BLADE	1		B
9	+	C554-000002	KNIFE, CORD	1		B
10	+	V805-000150	BOLT, TORX 5	1	TB-5*16 10.9	C
11		X530-000560	LABEL, EYE CATCHER	1	HIGH TORQUE	D
12		C550-000541	SHIELD, BLADE	1		B
13		P100-004840	CASE, GEAR ASY	1		
14	+	V000-000260	GEAR SET, BEVEL	1		D
15	+	C534-001080	SHAFT, GEAR	1		D
16	+	900812-06201	BEARING, BALL	1	6201LLU(DDU)	
17	+	900810-00629	BEARING, BALL	1	629	
18	+	900800-00609	BEARING, BALL	1	609	
19	+	900803-00609	BEARING, BALL	1	609Z	
20	+	900701-00009	RETAINING RING	1	CS-9	
21	+	900706-00012	RETAINING RING	1	WR-12	
22	+	900702-00032	RETAINING RING	1	CR-32	
23	+	900702-00025	RETAINING RING	1	CR-25	
24	+	V340-000180	WASHER	1		C
25	+	900220-04006	SCREW	1	4*6	
26	+	V452-001310	SPRING, TORSION	1		B
27	+	900603-50008	WASHER	1	8.5*18*0.8T	C
28	+	610434-50031	BOLT 8*8	1	M8*8	C
29	+	P100-009780	FIXTURE, BLADE SET	1		C
30	++	610313-52132	FIXTURE, BLADE	1		C
31	++	610352-56830	PLATE, CUP	1		C
32	++	900720-00012	O-RING	1	P-12	
33	+	P200-000990	BLADE FIXTURE KIT	1		
34	++	610314-52130	PLATE, ADAPTER (L)	1		C
35	++	699229-56830	PLATE, COVER	1		C
36	++	610320-52130	NUT 10	1		C
37	+	V806-000020	BOLT, TORX 6	1	TB-6*25 10.9	C
38	+	V805-000130	BOLT, TORX 5	1	TB-5*10 10.9	C

Class : Consumable class

A:Fast moving parts B:Semi-fast moving parts C:Slow moving parts D:Order only as needed

MAIN PIPE, HANDLE



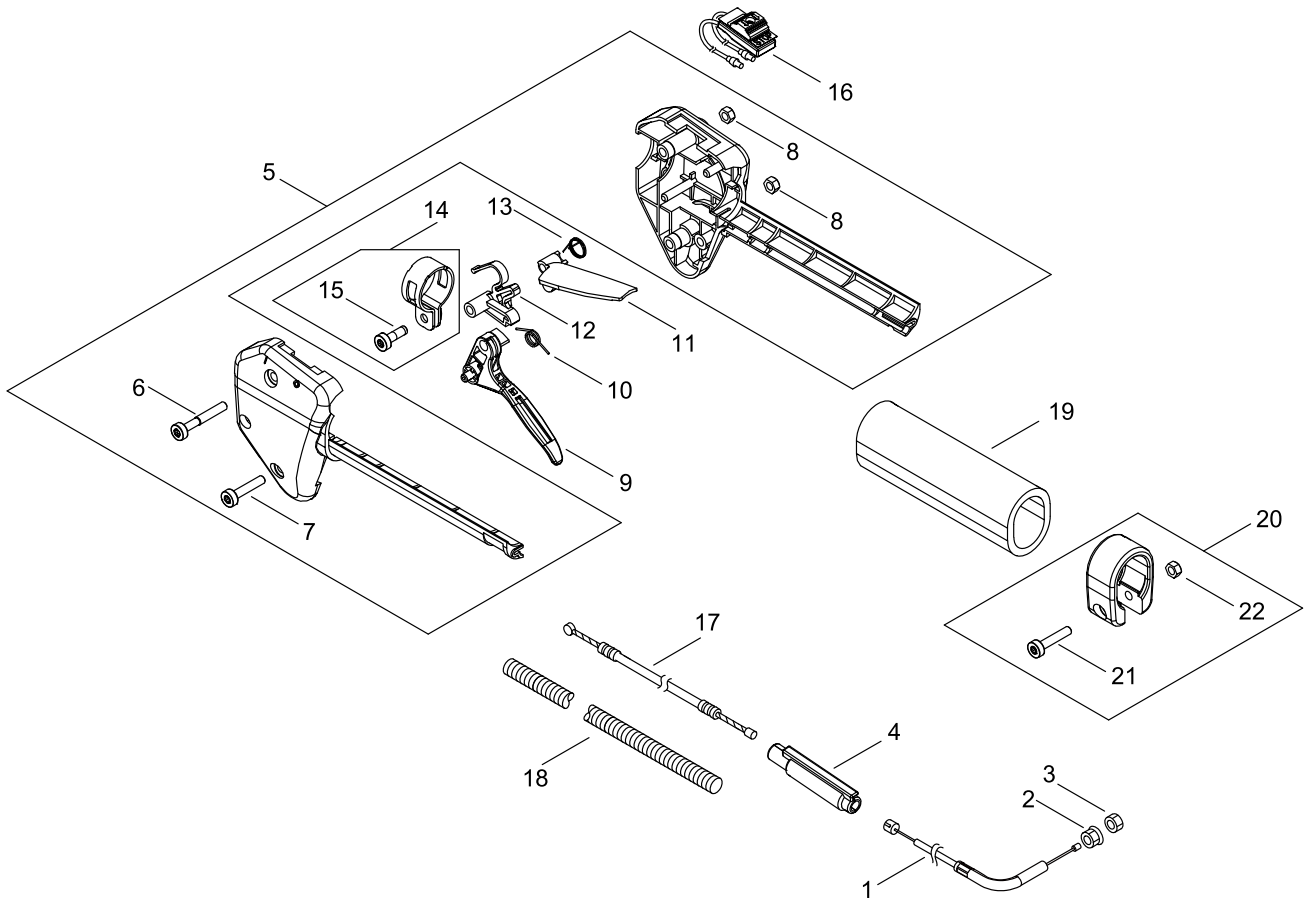
MAIN PIPE, HANDLE

Key No.	LV (+)	Parts Number	Parts Description	Qty	Standard	Class
1		P021-050970	FRONT HANDLE ASY	1		
2	+	C400-000220	HANDLE,FRONT	1		C
3	+	351643-51730	BRACET, HANDLE	1		C
4	+	V805-000050	BOLT, TORX 5	4	TB-5*30 10.9	C
5	+	900500-00005	NUT	4	5	
6		300515-07130	PLATE, ROPE	1		C
7		P100-012670	MAIN PIPE ASY	1		C
8	+	890617-43130	LABEL,CAUTION	1		D
9	+	V203-002300	BOLT,5	1	M5*30	C
10		890152-04930	LABEL, CAUTION	1		D
11		C504-000130	SHAFT,DRIVE	1		C
12		610275-56330	COVER, CONNECTOR	1		C
13		V363-000320	COLLAR,24	1		C
14		V804-000020	BOLT, TORX 4	2	TT-4*20 DG 10.9	C
15		A248-000050	GUARD, LEVER	1		C
16		V805-000160	BOLT, TORX 5	1	TB-5*20 10.9	C
17		900500-00005	NUT	1	5	
18		C057-000320	FLEX SHAFT,ASM	1	20	C
19	+	610013-27630	SHAFT, FLEXIBLE(HARD	1		B
20	+	900720-00018	O-RING	2	P-18	
21	+	300318-56330	HOOK	2	9*30	C

Class : Consumable class

A:Fast moving parts B:Semi-fast moving parts C:Slow moving parts D:Order only as needed

THROTTLE



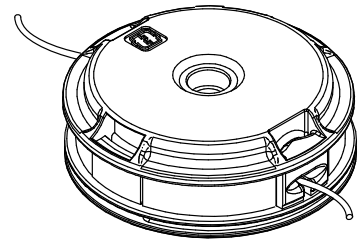
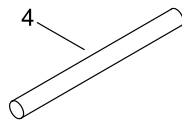
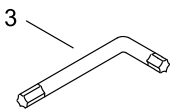
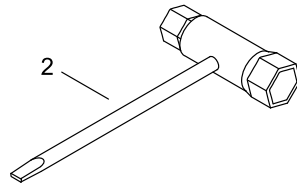
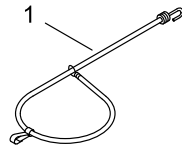
THROTTLE

Key No.	LV (+)	Parts Number	Parts Description	Qty	Standard	Class
1		V430-005340	CABLE,BOWDEN	1	L250*26	B
2		900518-00006	NUT, FLANGE	1	6	
3		900502-00006	NUT	1	6	
4		178081-55932	CONNECTOR,CABLE	1		C
5		P021-050640	TRIGGER HOLDER SET	1		
6	+	V805-000060	BOLT, TORX 5	1	TB-5*35 10.9	C
7	+	V805-000170	BOLT, TORX 5	1	TB-5*25 10.9	C
8	+	900500-00005	NUT	2	5	
9		C450-000990	CONTROL, THROTTLE	1		C
10		178043-42230	SPRING, THR. RETURN	1		B
11		178090-52632	LOCKOUT, T. CONTROL	1		C
12		178012-52630	LOCKOUT, THROTTLE	1		C
13		178013-52630	SPRING, THR. LOCK	1		B
14		P021-050650	BAND ASY	1		
15	+	V805-000150	BOLT, TORX 5	1	TB-5*16 10.9	C
16		A440-003610	SWITCH, ON OFF	1	CA/CA104 L1140	C
17		V430-005410	CABLE,BOWDEN	1	990*58	B
18		178127-43230	TUBE	1	7*820	C
19		C403-000140	GRIP, HANDLE	1	L129.5*28	C
20		P021-016200	BAND 25	1		
21	+	V805-000170	BOLT, TORX 5	1	TB-5*25 10.9	C
22	+	900500-00005	NUT	1	5	

Class : Consumable class

A:Fast moving parts B:Semi-fast moving parts C:Slow moving parts D:Order only as needed

ACCESSORIES



RAPID-LOADER25/E

ACCESSORIES

Key No.	LV (+)	Parts Number	Parts Description	Qty	Standard	Class
1		300500-07131	ROPE, ELASTIC	1		B
2		895415-66630	WRENCH, SPCKET	1		D
3		X605-000170	TOOL,L WRENCH	1		D
4		X606-000080	TOOL,BAR	1	5*120	D

Class : Consumable class

A:Fast moving parts B:Semi-fast moving parts C:Slow moving parts D:Order only as needed

NUMERICAL PARTS INDEX

Part No	Part description	Page	Part No	Part description	Page	Part No	Part description	Page
100012-16131	BEARING, NEEDLE	2	699229-56830	PLATE, COVER	22	A160-003470	COVER,CYLINDER	2
100013-27430	PIN, PISTON	2	890152-04930	LABEL, CAUTION	24	A160-003840	COVER,CYLINDER	2
100014-53630	SPACER, PISTON PIN	2	890617-43130	LABEL,CAUTION	24	A172-003810	COVER,FAN	8
100015-03931	CIRCLIP, PISTON PIN	2	895415-66630	WRENCH, SPCKET	28	A175-000420	STAND	14
100142-12330	KEY, WOODRUFF	6	900220-04006	SCREW	22	A200-001320	INSULATOR, INTAKE	10
100212-03930	OILSEAL	4	900330-40080	ROLLER	8	A209-001180	PLATE, INSULATOR	10
100213-05530	OILSEAL	4	900500-00005	NUT	24	A226-000371	ELEMENT, AIR FILTER	10
123114-40630	SCREW	12	900500-00005	NUT	26	A226-000473	ELEMENT, AIR FILTER	10
123126-10631	SCREEN, INLET	12	900500-00012	NUT	14	A244-000070	PLATE,PREVENT	10
123137-19830	VALVE, INLET NEEDLE	12	900502-00006	NUT	26	A248-000050	GUARD, LEVER	24
123138-03930	PIN, METERING LEVER	12	900515-00008	NUT, FLANGE	6	A313-002080	GUIDE, EXHAUST	16
123140-27230	GASKET,M. DIAPHRAGM	12	900518-00006	NUT, FLANGE	26	A320-001340	COVER,MUFFLER	16
123142-03930	COVER, M. DIAPHRAGM	12	900562-00005	NUT, LOCK	22	A350-002061	TANK, FUEL	14
123173-07930	CLIP	12	900565-00005	NUT, SQUARE	18	A356-000031	VALVE,CHECK	14
123181-09560	PUMP, PRIMER	12	900565-00005	NUT, SQUARE	22	A365-000060	CONNECTOR,CAP	14
132010-00760	PIPE, FUEL	14	900603-50008	WASHER	22	A369-000420	STRAINER, FUEL	14
132010-14010	PIPE 3* 6*100	14	900605-00012	WASHER, SPRING	14	A390-000040	SEAT,FUEL TANK	14
132115-55931	GROMMET, FUEL	14	900700-00005	RETAINING RING	8	A409-001350	ROTOR, MAGNETO	6
145862-40630	SCREEN, MUFFLER	16	900701-00009	RETAINING RING	22	A413-000200	BOOT	8
175046-56030	SHAFT, CLUTCH	8	900701-00012	RETAINING RING	8	A425-000060	SPARKPLUG	6
175048-05530	WASHER (I)	8	900702-00025	RETAINING RING	22	A427-000090	PLUG CAP	6
175049-56030	WASHER	8	900702-00028	RETAINING RING	8	A429-000110	PLUG CAP COVER	6
177214-02830	WASHER	14	900702-00032	RETAINING RING	4	A440-003610	SWITCH, ON OFF	26
177215-43130	DRUM, STARTER	18	900702-00032	RETAINING RING	22	A556-001980	DRUM, CLUTCH	8
177218-40630	PAWL, STARTER	18	900706-00012	RETAINING RING	22	A566-000330	SPRING, CLUTCH	8
177220-40630	SPRING, REWIND	18	900720-00012	O-RING	22	C057-000320	FLEX SHAFT,ASM	24
177234-40630	SPRING, RETURN	18	900720-00018	O-RING	24	C066-000110	FRAME,ASM BACKPACK	20
177236-44330	SCREW	18	900720-00022	O-RING	6	C400-000220	HANDLE,FRONT	24
178012-52630	LOCKOUT, THROTTLE	26	900800-00609	BEARING, BALL	22	C403-000140	GRIP, HANDLE	26
178013-52630	SPRING, THR. LOCK	26	900803-00609	BEARING, BALL	22	C450-000990	CONTROL, THROTTLE	26
178043-42230	SPRING, THR. RETURN	26	900810-00629	BEARING, BALL	22	C504-000130	SHAFT,DRIVE	24
178081-55932	CONNECTOR,CABLE	26	900812-06201	BEARING, BALL	22	C534-001080	SHAFT, GEAR	22
178090-52632	LOCKOUT, T. CONTROL	26	91316-04010	SCREW	22	C550-000541	SHIELD, BLADE	22
178127-43230	TUBE	26	94018-46001	BEARING, BALL	8	C552-000200	PLATE, SHIELD	22
300318-56330	HOOK	24	94035-36201	BEARING, BALL	4	C554-000002	KNIFE,CORD	22
300500-07131	ROPE, ELASTIC	28	A011-001540	CRANKSHAFT,ASY	2	C633-000060	SHAFT, ROTATION	14
300515-07130	PLATE, ROPE	24	A021-004831	CARBURETOR, DIAPHRAGM	10	C661-000010	LEVER, RELEASE	8
351643-51730	BRACET, HANDLE	24	A021-004831	CARBURETOR, DIAPHRAGM	12	C663-000000	SHAFT, RELEASE	8
610013-27630	SHAFT, FLEXIBLE(HARD	24	A051-003360	STARTER,RECOIL ASY	18	J473-000120	PIECE,COVER	6
610275-56330	COVER, CONNECTOR	24	A052-000100	PULLEY,ASM STARTER	18	P003-001630	LEVER, METERING	12
610313-52132	FIXTURE,BLADE	22	A101-000740	RING, PISTON	2	P003-001670	DIAPHRAGM, METERING	12
610314-52130	PLATE, ADAPTER (L)	22	A127-000530	COVER,DUST	18	P003-001710	WASHER	12
610320-52130	NUT 10	22	A127-000620	COVER,DUST	4	P003-004480	O-RING	12
610352-56830	PLATE, CUP	22	A130-002440	CYLINDER	2	P003-004530	GASKET, FUEL PUMP	12
610434-50031	BOLT 8* 8	22						

NUMERICAL PARTS INDEX

Part No	Part description	Page	Part No	Part description	Page	Part No	Part description	Page
P003-004540	DIAPHRAGM, FUEL PUMP	12	V107-000190	GASKET,FUEL CAP	14	V835-000030	BOLT, TORX 5	6
P003-004560	SCREW	12	V151-000170	PLATE,CUP	6	X524-001901	LABEL	2
P003-004570	SCREW	12	V151-000210	PLATE,CUP	6	X530-000560	LABEL,EYE CATCHER	22
P003-005850	SWIVEL	12	V203-002300	BOLT,5	24	X547-003860	LABEL,ECHO	18
P003-005860	SCREW	12	V203-002550	BOLT,5	2	X547-003870	LABEL,ECHO	2
P003-005870	SPRING	12	V203-002550	BOLT,5	16	X605-000170	TOOL,L WRENCH	28
P003-005880	NEEDLE	12	V299-000250	KNOB,FASTENER	10	X606-000080	TOOL,BAR	28
P003-005890	CLIP	12	V323-000130	WASHER,CIRCULAR 5	6			
P003-005900	PLATE	12	V340-000180	WASHER	22			
P003-006120	BODY ASSEMBLY, PUMP	12	V363-000320	COLLAR,24	24			
P003-006130	VALVE, THROTTLE	12	V371-000000	COLLAR,15	14			
P003-006500	COVER, FUEL PUMP	12	V430-005340	CABLE,BOWDEN	26			
P021-012211	CAP,FUEL ASY	14	V430-005410	CABLE,BOWDEN	26			
P021-016200	BAND 25	26	V452-001310	SPRING,TORSION	22			
P021-043982	SHIELD ASY, BLADE	22	V452-001980	SPRING,TORSION	8			
P021-050640	TRIGGER HOLDER SET	26	V471-001881	PIPE	14			
P021-050650	BAND ASY	26	V475-007550	TUBE	6			
P021-050970	FRONT HANDLE ASY	24	V485-003050	LEAD	6			
P022-002100	E-RING	18	V485-003060	LEAD	2			
P022-045770	GUIDE, ROPE	18	V490-001230	CLIP	14			
P022-050910	GRIP, STARTER	18	V490-001240	CLIP	14			
P022-051020	STARTER,RECOIL	18	V804-000020	BOLT, TORX 4	24			
P022-051030	ROPE, STARTER	18	V804-000030	BOLT, TORX 4	16			
P100-004840	CASE,GEAR ASY	22	V805-000010	BOLT, TORX 5	14			
P100-005250	PISTON KIT	2	V805-000050	BOLT, TORX 5	24			
P100-005260	CRANKCASE SET	4	V805-000060	BOLT, TORX 5	26			
P100-007350	CASE,CLEANER	10	V805-000100	BOLT, TORX 5	10			
P100-009780	FIXTURE, BLADE SET	22	V805-000130	BOLT, TORX 5	22			
P100-010520	SHIELD ASY	22	V805-000140	BOLT, TORX 5	2			
P100-012560	CLUTCH SHOE SET	8	V805-000150	BOLT, TORX 5	14			
P100-012570	FAN COVER ASY	8	V805-000150	BOLT, TORX 5	18			
P100-012580	CLEANER COVER ASY	10	V805-000150	BOLT, TORX 5	22			
P100-012590	MUFFLER ASY	16	V805-000150	BOLT, TORX 5	26			
P100-012670	MAIN PIPE ASY	24	V805-000160	BOLT, TORX 5	8			
P200-000990	BLADE FIXTURE KIT	22	V805-000160	BOLT, TORX 5	24			
P200-001700	COIL, IGNITION	6	V805-000170	BOLT, TORX 5	22			
V000-000260	GEAR SET, BEVEL	22	V805-000170	BOLT, TORX 5	26			
V100-000870	GASKET,CYL	2	V805-000210	BOLT, TORX 5	2			
V102-000310	GASKET,CRANKCASE	4	V805-000210	BOLT, TORX 5	16			
V103-000160	GASKET,INTAKE	10	V805-000220	BOLT, TORX 5	4			
V103-001970	GASKET,INTAKE	10	V805-000240	BOLT, TORX 5	4			
V103-002240	GASKET,INTAKE	10	V805-000260	BOLT, TORX 5	22			
V104-002390	GASKET,EXHAUST	16	V805-000300	BOLT, TORX 5	16			
V104-002600	GASKET,EXHAUST	16	V806-000020	BOLT, TORX 6	22			
			V835-000000	BOLT, TORX 5	10			