



PARTS CATALOG

GRASS-TRIMMER / BRUSHCUTTER

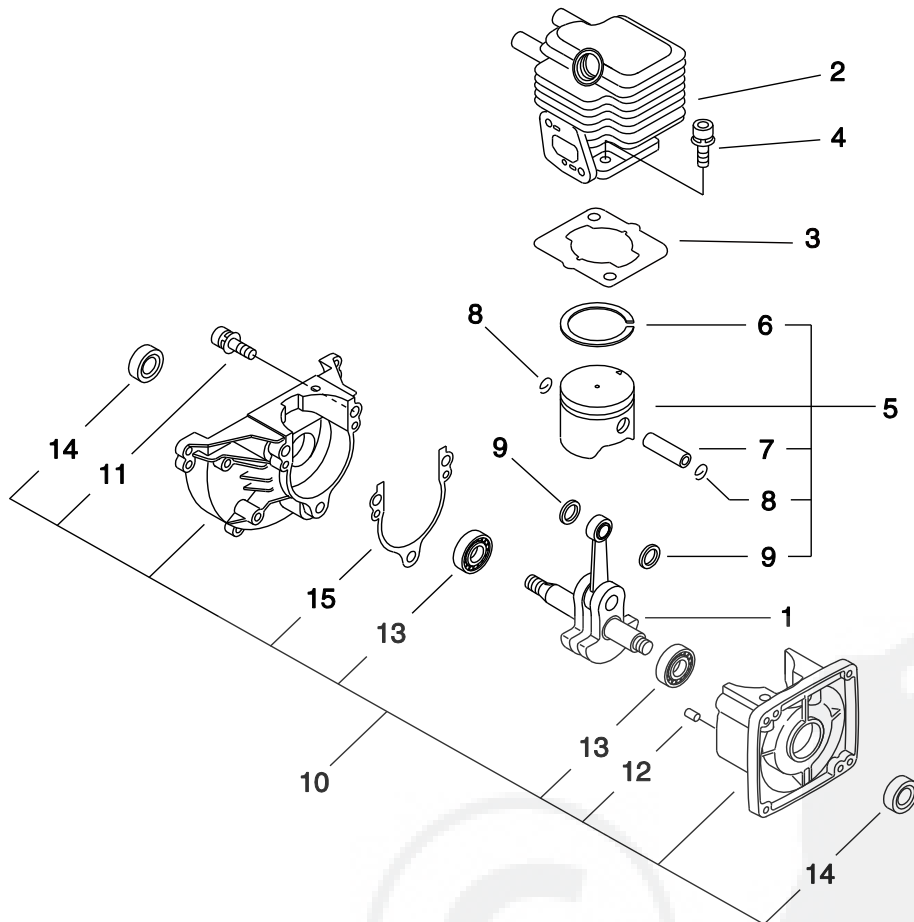
SRM-222ES/L(37)

37000001 - 370180098

CE

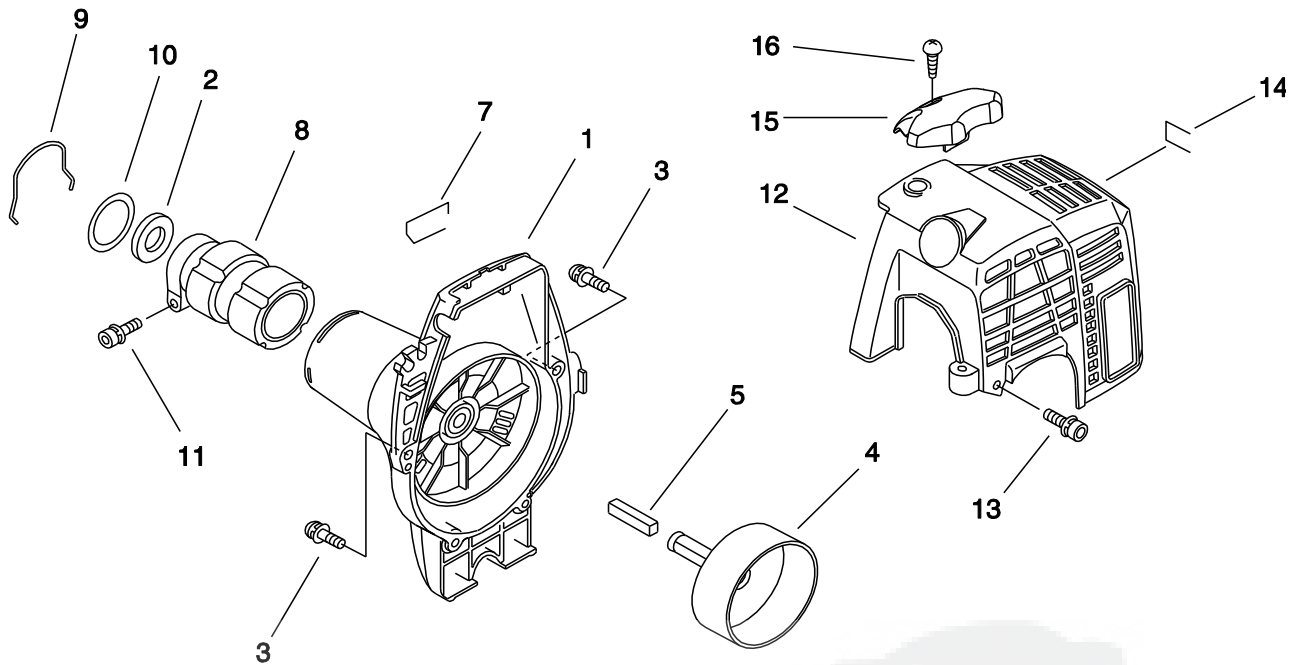
P014-002030-12Fb

1. CYLINDER, CRANKCASE, PISTON



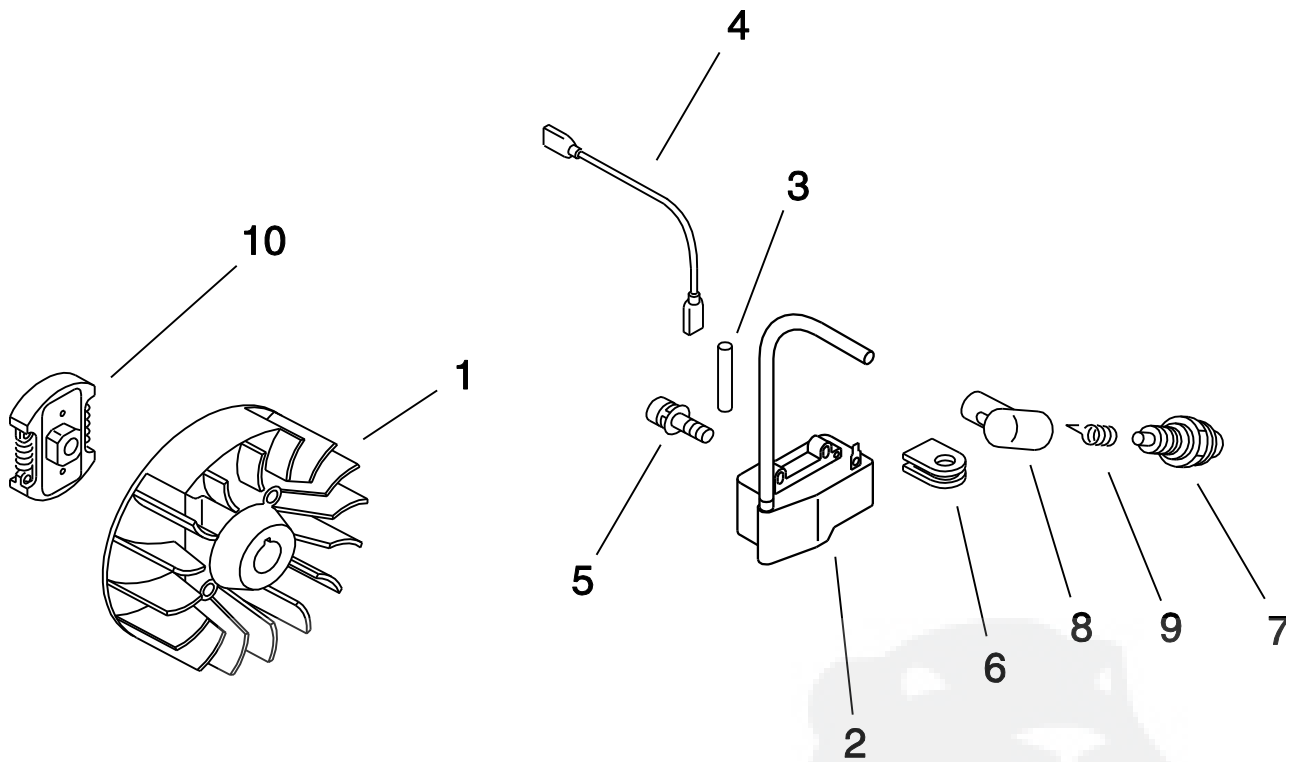
KEY	LV	PART NUMBER	Q'TY	DESCRIPTION	REMARKS	NOTE1	NOTE2
1		A011-000101	1	CRANKSHAFT,ASM			
2		A130-002100	1	CYLINDER			
3		101010-44332	1	GASKET, CYL. BASE			
4		900162-05022	2	BOLT, H.S. 5*22	5*22 W,SW		
5		P021-007712	1	PISTON KIT			
6	+	A101-000090	1	RING,PISTON			
7	+	100013-11520	1	PIN, PISTON			
8	+	100015-04630	2	CIRCLIP, PISTON PIN			
9	+	100014-11520	2	SPACER, PISTON PIN			
10		P021-041670	1	CRANKCASE KIT			
11	+	900162-05028	3	BOLT, H.S. 5*28	5*28 W,SW		
12	+	900330-40080	2	PIN F 4*8	4*8		
13	+	94095-36201	2	BEARING BALL			
14	+	100212-42031	2	OILSEAL	ISCD 12*22*4.5		
15	+	100242-42030	1	GASKET, CRANKCASE			

2. FANCOVER, CYLINDER COVER



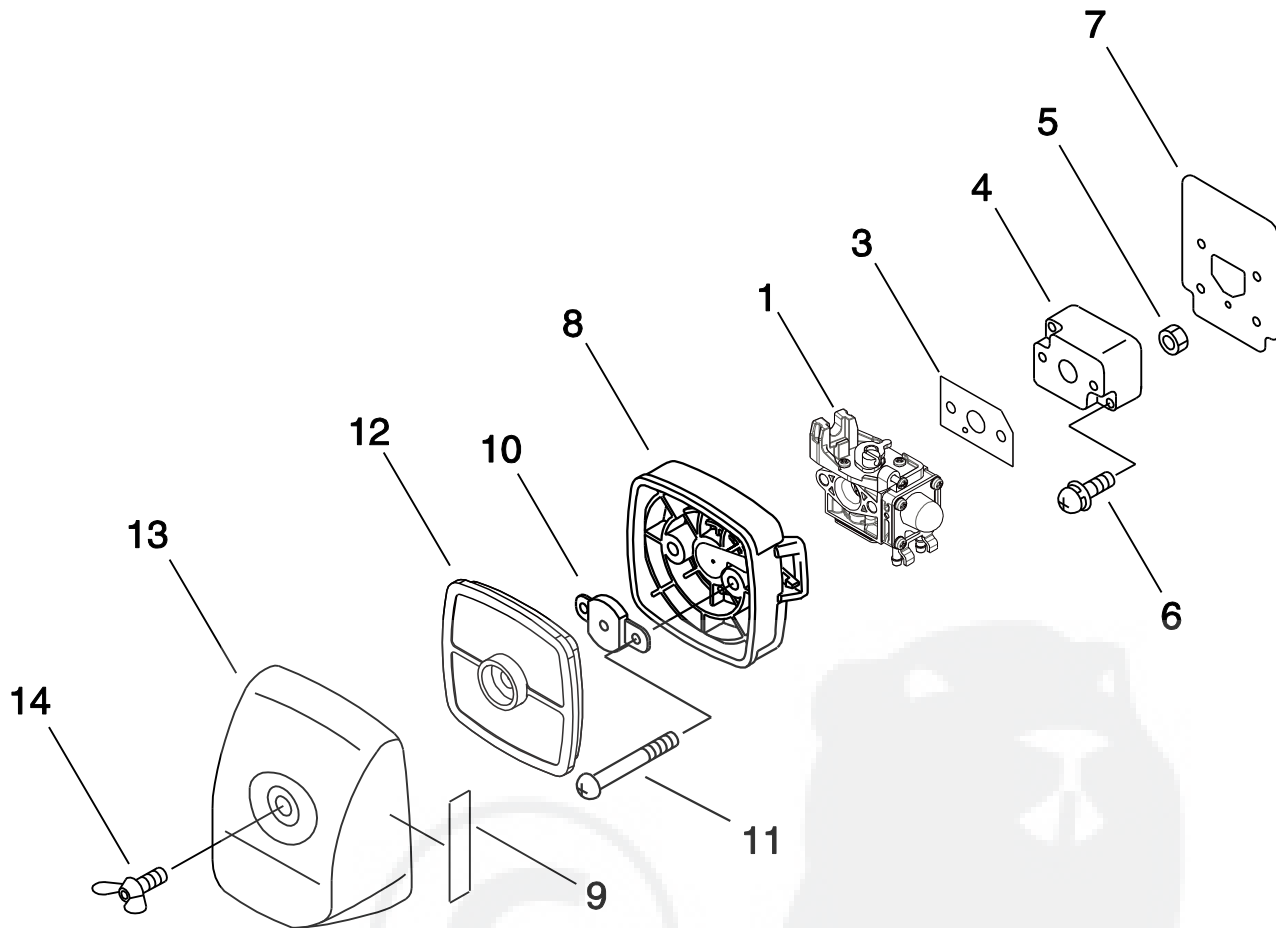
KEY	LV	PART NUMBER	Q'TY	DESCRIPTION	REMARKS	NOTE1	NOTE2
1		A172-000320	1	COVER,FAN			
2		175313-20430	1	RING, FELT			
3		91363-04016	3	SCREW	SMB-4*16/W,SW		
4		175005-44331	1	DRUM, CLUTCH			
5		V376-000990	1	SPACER			
7		X547-002310	1	LABEL,ECHO	ECHO+SRM-222ES		
8		A575-000110	1	FIXTURE,MAIN PIPE			
9		660316-55630	1	CLIP			
10		V315-000030	1	WASHER,CIRCULAR 30	33.5*41.0*T0.5		
11		91118-05028	1	BOLT	CM-5*28		
12		A160-000890	1	COVER,CYLINDER			
13		V202-000090	2	BOLT,4	4*16		
14		X505-002310	1	LABEL,CAUTION	HOT CAUTION		
15		A162-000130	1	GUARD, TOP			
16		900253-05020	1	SCREW 5*20	5*20		

3. MAGNETO



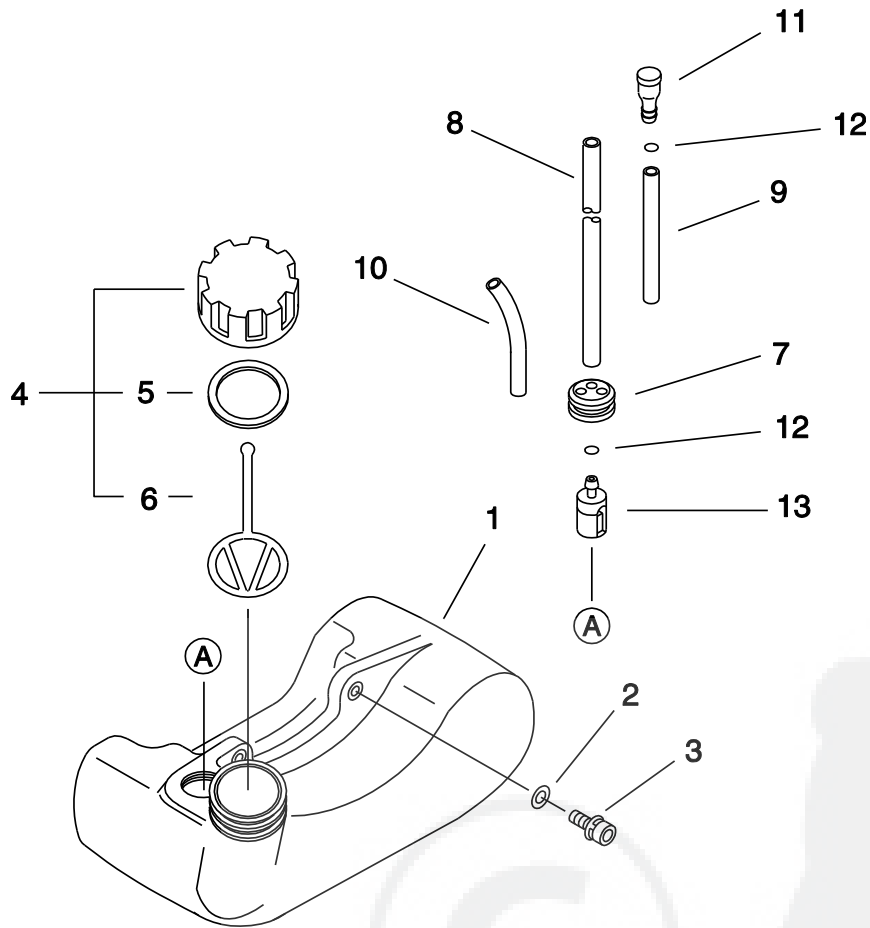
KEY	LV	PART NUMBER	Q'TY	DESCRIPTION	REMARKS	NOTE1	NOTE2
1		A409-000160	1	ROTOR,MAGNETO			
2		A411-000140	1	COIL,IGNITION			
3		V475-007300	1	TUBE			
4		162010-52830	1	LEAD, GROUND			
5		900162-04020	2	BOLT, H.S. 4*20	4*20 W,SW		
6		156112-40630	1	GROMMET			
7		A425-000000	1	SPARKPLUG	BPMR8Y		
8		159012-03433	1	CAP, SPARK PLUG			
9		159011-03432	1	COIL, SPARK PLUG			
10		175000-56831	1	CLUTCH ASSEMBLY			

4. AIR CLEANER



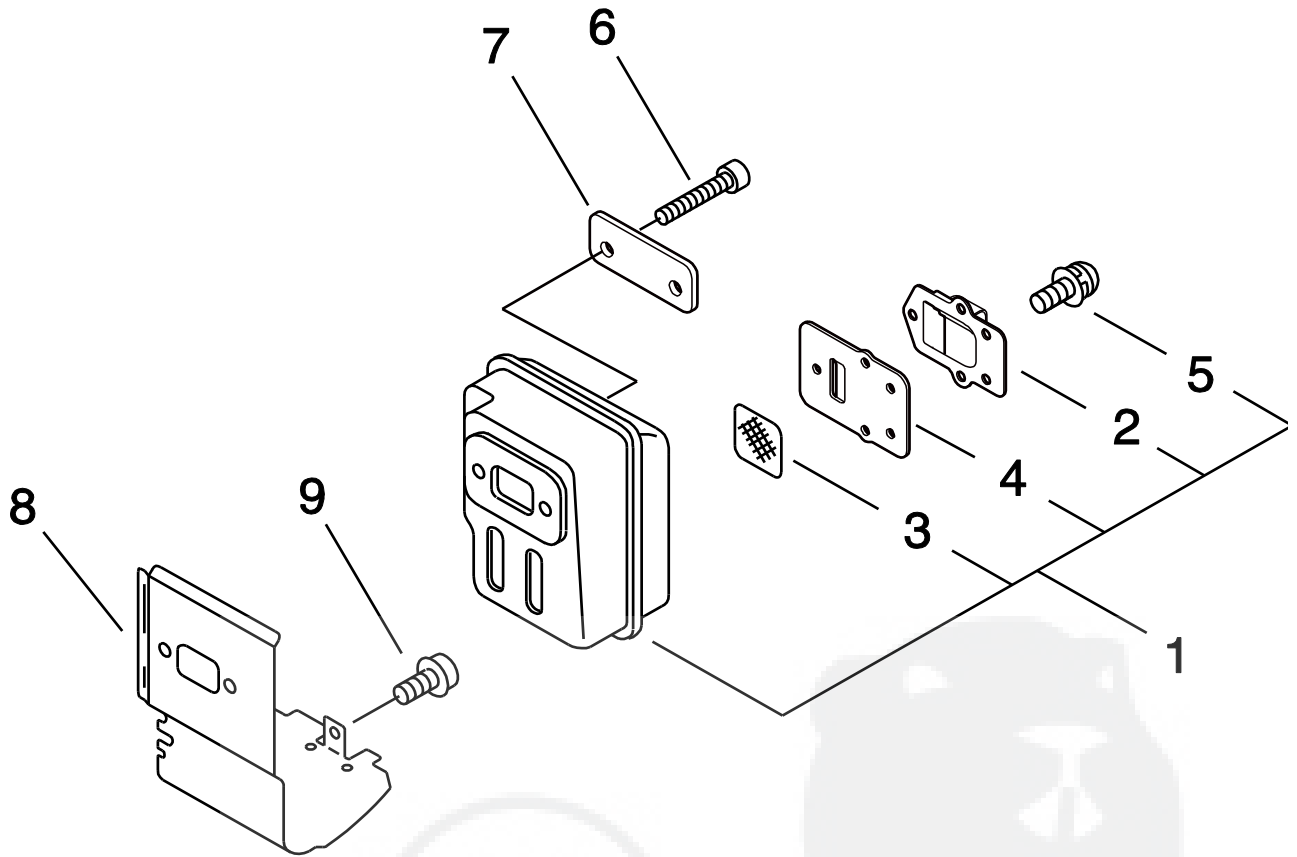
KEY	LV	PART NUMBER	Q'TY	DESCRIPTION	REMARKS	NOTE1	NOTE2
1		A021-003880	1	CARBURETOR,DIAPHRAGM	ZAMA RB-K113		
3		V103-001390	1	GASKET,INTAKE			
4		130017-44331	1	INSULATOR			
5		900500-00005	2	NUT 5	5		
6		900238-05022	2	SCREW 5*22	5*22		
7		V103-001640	1	GASKET,INTAKE			
8		P021-004480	1	CASE, AIR CLEANER			
9		890332-52730	1	LABEL, CHOKE			
10		129011-52730	1	PLATE, PREVENT			
11		900220-05065	2	SCREW 5*65	5*65		
12		A226-001410	1	ELEMENT,AIR FILTER			
13		130313-05863	1	LID, AIR CLEANER			
14		210417-52730	1	BOLT, WING	5*20		

5. FUEL TANK



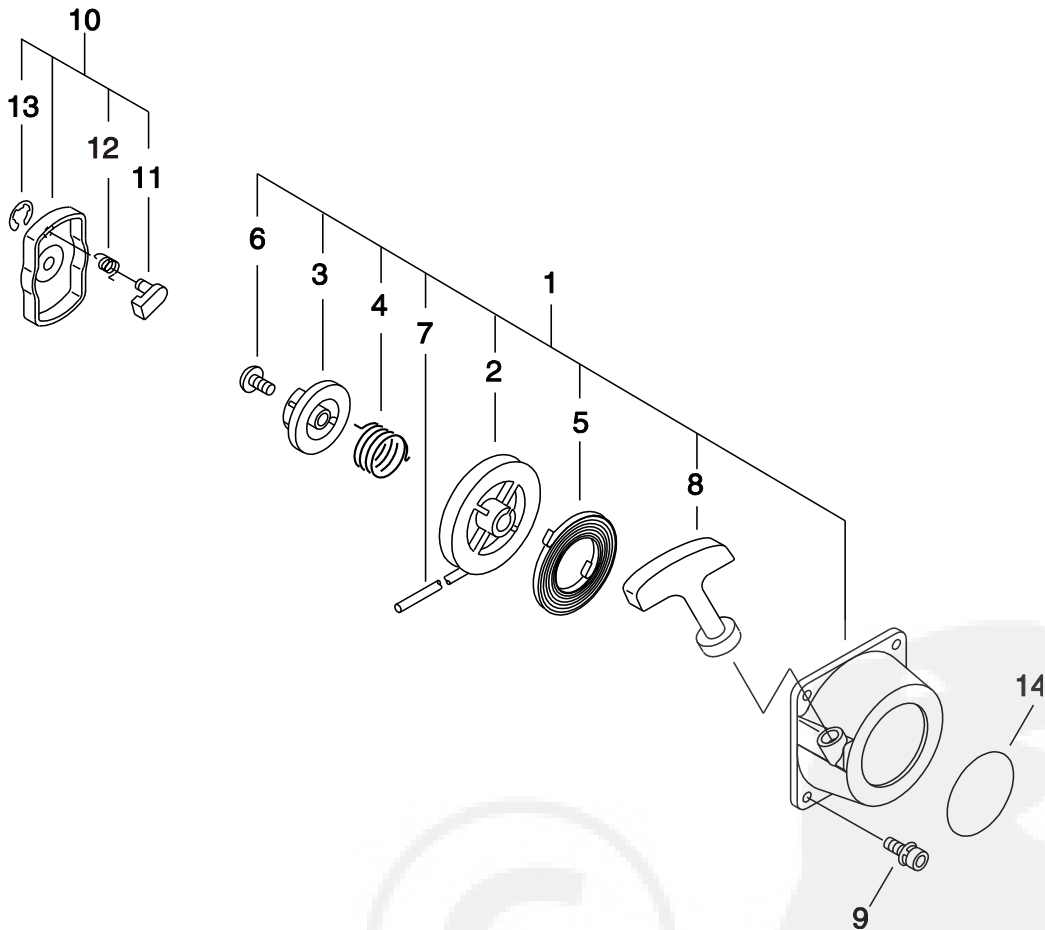
KEY	LV	PART NUMBER	QTY	DESCRIPTION	REMARKS	NOTE1	NOTE2
1		A350-000480	1	TANK, FUEL			
2		900603-00005	2	WASHER 5	5.5*12*0.8		
3		91118-05020	2	BOLT	CM-5*20		
4		P021-012210	1	CAP, FUEL ASY			
5	+	131016-55830	1	GASKET, FUEL CAP			
6	+	A365-000060	1	CONNECTOR, CAP	L=123		
7		132115-46730	1	GROMMET, FUEL			
8		V471-001190	1	PIPE	3*5*180 NBR		
9		V471-001200	1	PIPE	3*5*70 NBR		
10		132012-56030	1	PIPE	3*6*80 YL		
11		A356-000031	1	VALVE, CHECK			
12		V490-001240	2	CLIP			
13		131205-07320	1	STRAINER, FUEL			

6. MUFFLER



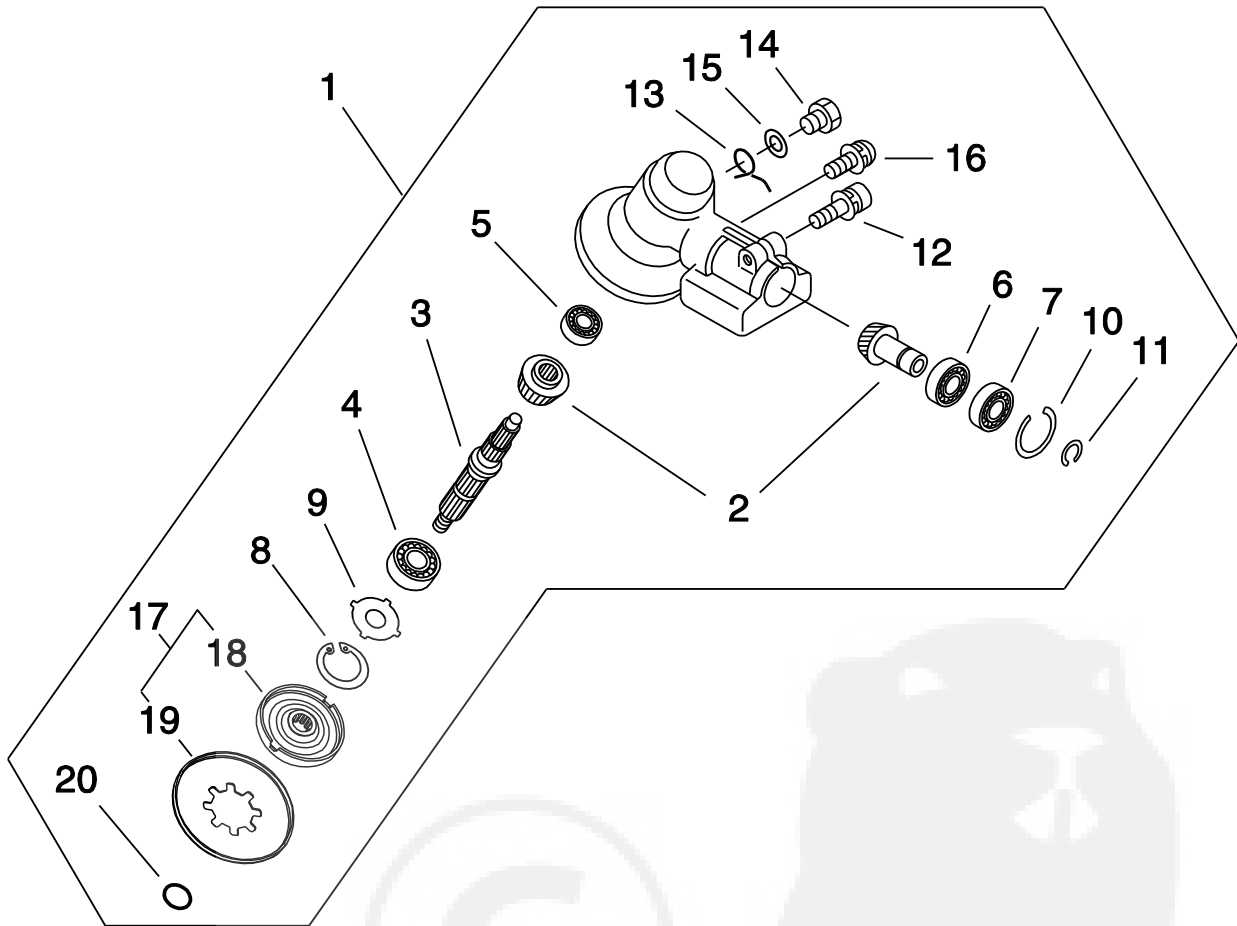
KEY	LV	PART NUMBER	Q'TY	DESCRIPTION	REMARKS	NOTE1	NOTE2
1		P021-016642	1	MUFFLER ASY			
2	+	A313-000600	1	GUIDE,EXH			
3	+	145862-40630	1	SCREEN, MUFFLER			
4	+	V104-001760	1	GASKET,EXHAUST			
5	+	91367-04010	5	SCREW	4*10/SW(SUS)		
6		900105-05055	2	BOLT, H.S. 5*55	5*55		
7		V150-000371	1	PLATE,EYE			
8		V104-000500	1	GASKET,EXHAUST			
9		91121-04008	1	BOLT, FLANGE	M4*8 10.9		

7. RECOIL STARTER



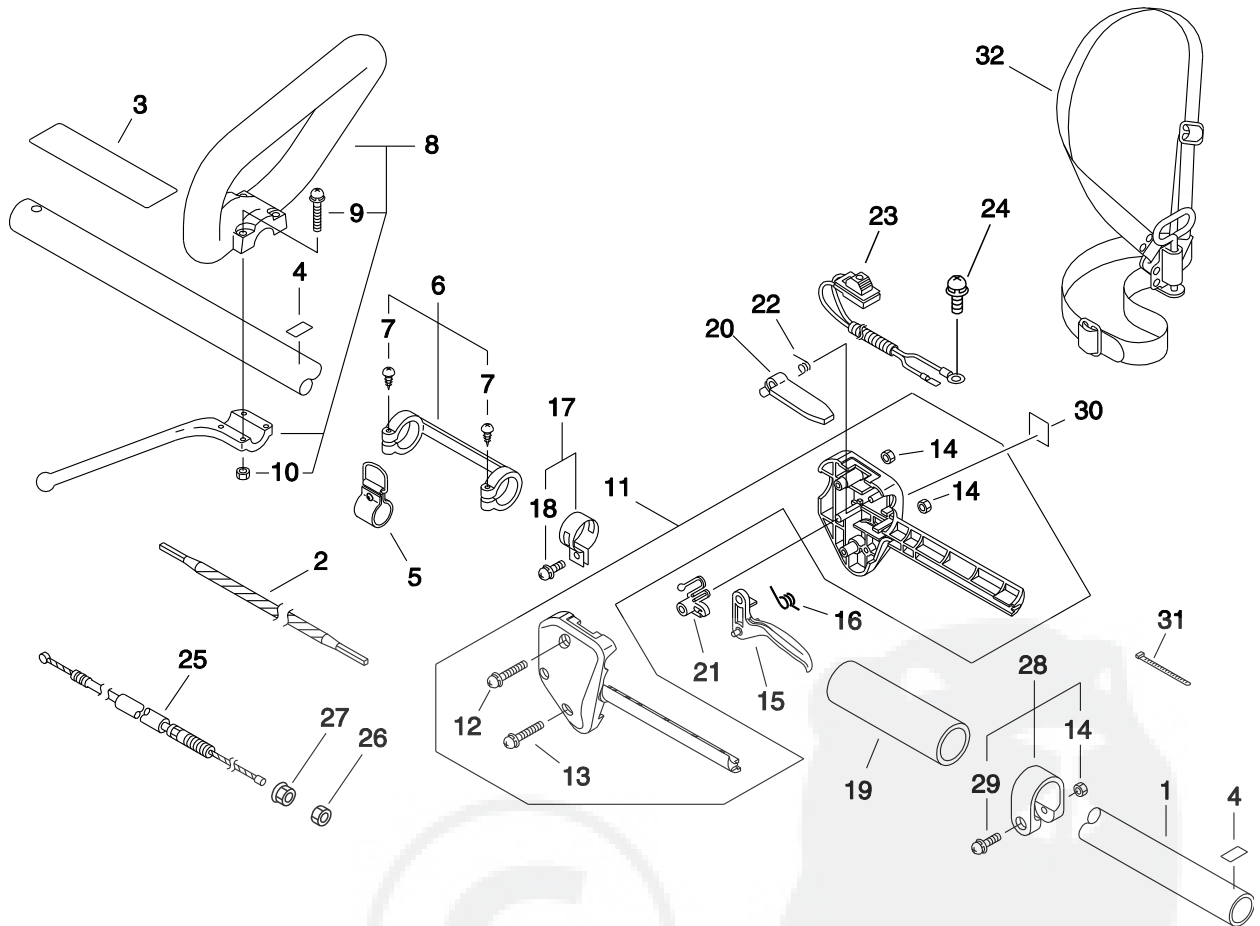
KEY	LV	PART NUMBER	Q'TY	DESCRIPTION	REMARKS	NOTE1	NOTE2
1		A051-001411	1	STARTER,RECOIL ASY			
2	+	P022-034040	1	DRUM, STARTER			
3	+	P022-034030	1	PLATE, CAM			
4	+	P022-008270	1	SPRING,DAMPER			
5	+	P022-019680	1	SPRING, SPIRAL			
6	+	177236-61830	1	SCREW			
7	+	P022-025730	1	ROPE, STARTER			
8	+	P022-023170	1	GRIP, STARTER			
9		V202-000090	2	BOLT,4	4*16		
10		A052-000180	1	PULLEY,ASM STARTER			
11	+	P022-006850	2	PAWL, STARTER			
12	+	P022-006510	2	SPRING, RETURN			
13	+	P022-002100	2	E-RING	4		
14		X502-000890	1	LABEL,ECHO			

8. GEAR CASE



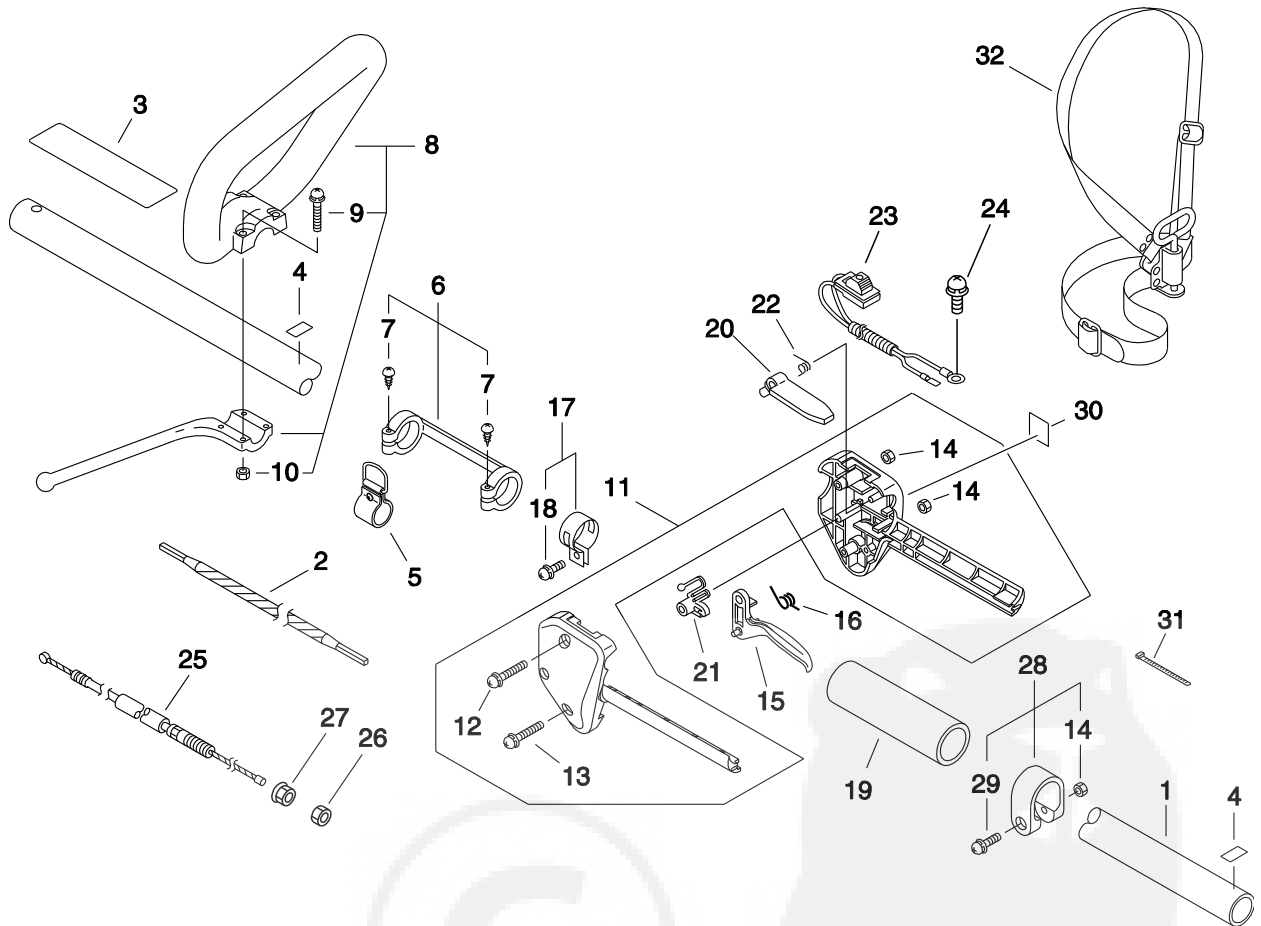
KEY	LV	PART NUMBER	QTY	DESCRIPTION	REMARKS	NOTE1	NOTE2
1		P021-013134	1	CASE ASY, GEAR			
2	+	610300-42330	1	GEAR SET			
3	+	610310-56831	1	SHAFT, P.T.O.			
4	+	900812-06201	1	BEARING, BALL 6201			
5	+	94060-00626	1	BEARING, BALL			
6	+	94060-06900	1	BEARING BALL	WEPON BB6900		
7	+	94063-06900	1	BEARING BALL	WEPON BB6900Z		
8	+	900702-00032	1	CIRCLIP 32	CR-32		
9	+	610444-56830	1	WASHER			
10	+	900702-00022	1	CIRCLIP 22	CR-22		
11	+	900706-00010	1	CIRCLIP 10	WR-10		
12	+	91118-06025	1	BOLT			
13	+	V452-001310	1	SPRING,TORSION			
14	+	610434-50031	1	BOLT 8*8	M8*8		
15	+	900603-50008	1	WASHER	8.5*18*0.8T		
16	+	900242-05010	1	SCREW 5*10			
17	+	610313-52932	1	FIXTURE, BLADE			
18	++	610313-52132	1	FIXTURE, BLADE			
19	++	610352-56830	1	PLATE, CUP			
20	+	900720-00012	1	O-RING 12	P-12		

9. MAIN PIPE



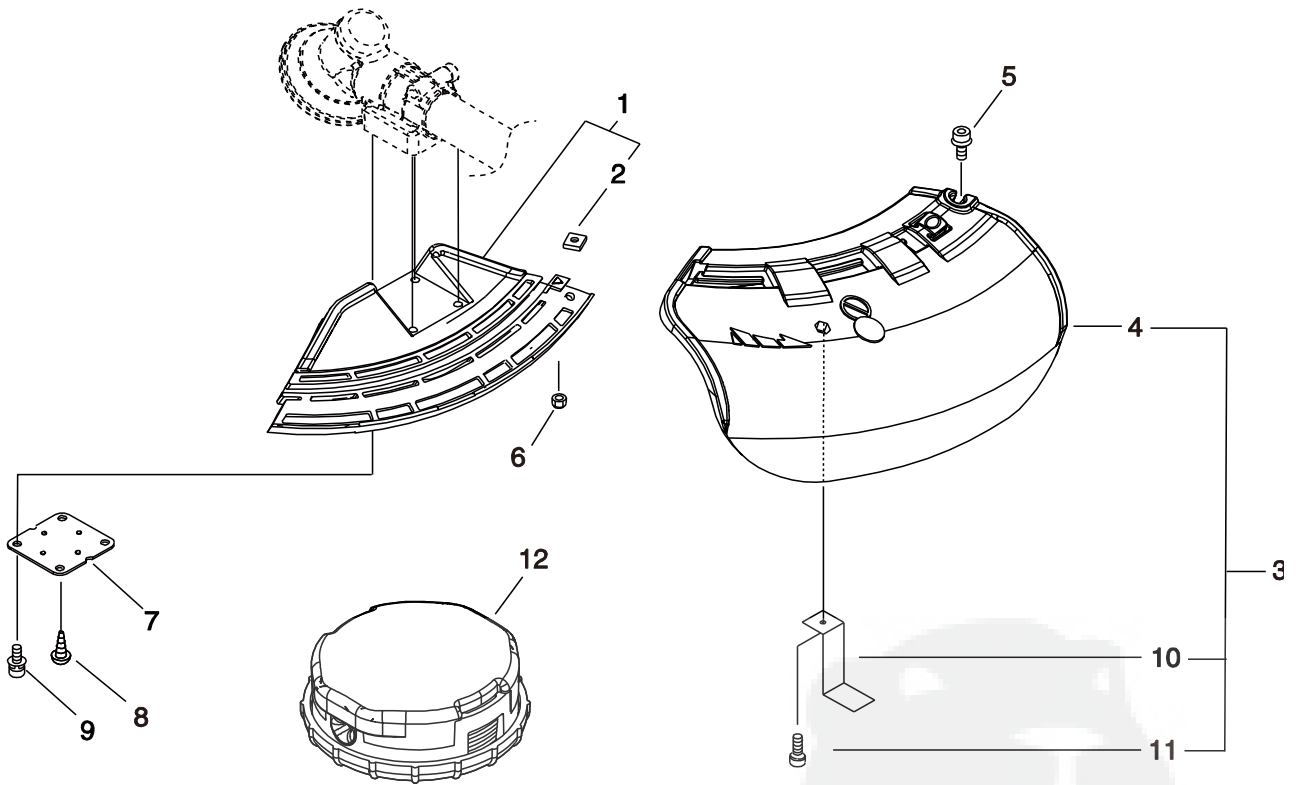
KEY	LV	PART NUMBER	Q'TY	DESCRIPTION	REMARKS	NOTE1	NOTE2
1		610206-44730	1	HOUSING ASSY, D.SHFT			
2		610013-44730	1	SHAFT, FLEXIBLE			
3		890617-43130	1	LABEL, CAUTION			
4		890152-04930	2	LABEL, CAUTION			
5		C063-000040	1	HOOK, LIFTING			
6		610281-54131	1	COLLER			
7	+	900253-04025	2	SCREW 4*25	4*25		
8		P021-041500	1	FRONT HANDLE ASY			
9	+	900242-05035	4	SCREW 5*35	5*35		
10	+	900500-00005	4	NUT 5	5		
11		178003-52130	1	BRACKET SET, THROTTLE			
12	+	900242-05035	1	SCREW 5*35	5*35		
13	+	900242-05025	1	SCREW 5*25	5*25		
14	+	900500-00005	2	NUT 5	5		
15		178010-52130	1	CONTROL, THROTTLE			
16		178043-42230	1	SPRING, THR. RETURN			
17		301200-29430	1	BAND ASSY			
18	+	900242-05014	1	SCREW 5*14			
19		C403-000140	1	GRIP, HANDLE	L129.5*28		
20		178090-52632	1	LOCKOUT, T. CONTROL			
21		178012-52630	1	LOCKOUT, THROTTLE			
22		178013-52630	1	SPRING, THR. LOCK			
23		A440-000833	1	SWITCH, ON OFF			
24		91363-04016	1	SCREW	SMB-4*16/W,SW		

9. MAIN PIPE



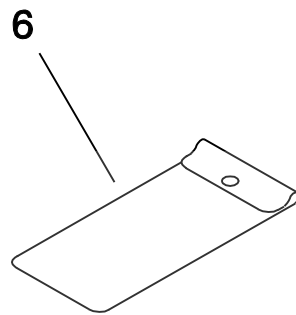
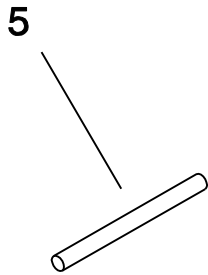
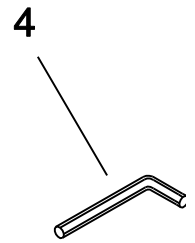
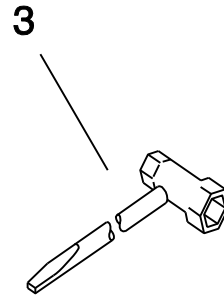
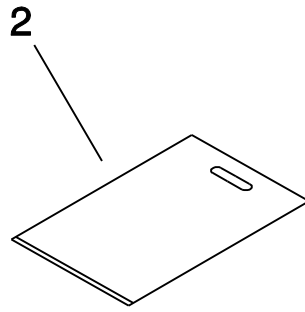
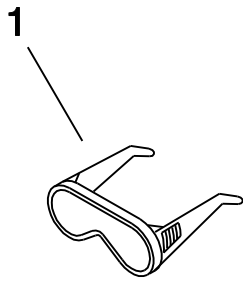
KEY	LV	PART NUMBER	Q'TY	DESCRIPTION	REMARKS	NOTE1	NOTE2
25		V430-002290	1	CABLE,BOWDEN	330+61		
26		900502-00006	1	NUT 6 (3N)	3N6		
27		900518-00006	1	NUT, FLANGE	6		
28		P021-014550	1	BAND 25			
29	+	900242-05028	1	SCREW 5*28	5*28		
14	+	900500-00005	1	NUT 5	5		
30		890157-39130	1	LABEL, SWITCH			
31		V495-002690	2	BAND	CV-100黒相当		
32		301001-46731	1	HARNESS, SHOULDER	L1910,L1550		

10. SHIELD



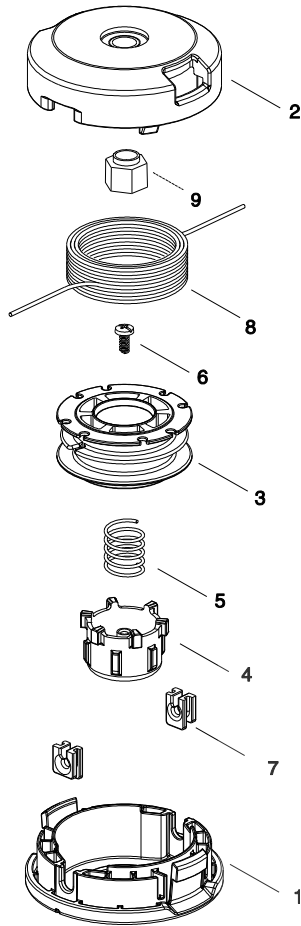
KEY	LV	PART NUMBER	QTY	DESCRIPTION	REMARKS	NOTE1	NOTE2
1		C550-000511	1	SHIELD, BLADE			
2	+	900565-00005	1	NUT	5		
3		P021-002625	1	SHIELD, BLADE (W/KNIFE)			
4	+	C550-000570	1	SHIELD, BLADE			
10	+	C554-000000	1	KNIFE, CORD			
11	+	91118-05018	1	BOLT			
5		91121-05025	1	BOLT, FLANGE	10.9 SILVER		
6		900562-00005	1	NUT, LOCK	5		
7		C552-000200	1	PLATE, SHIELD			
8		91316-04010	1	SCREW	M4*10		
9		V203-001980	4	BOLT, 5			
12		X047-000430	1	CUTTER, ASM LINE			

11. ACCESSORIES



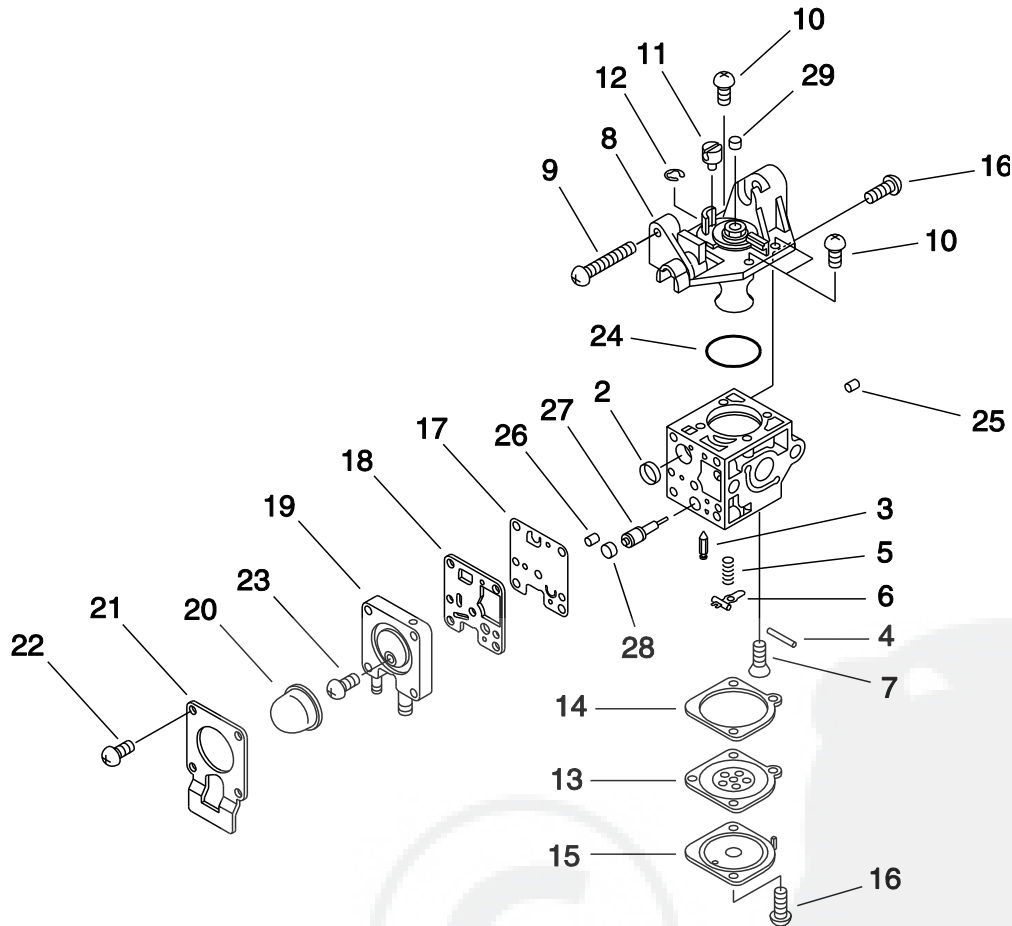
KEY	LV	PART NUMBER	Q'TY	DESCRIPTION	REMARKS	NOTE1	NOTE2
1		X690-000050	1	GOGGLE	GOGGLE + NOTE		
2		X698-000040	1	TOOL,CASE	400*500		
3		895410-02830	1	WRENCH, W/S. DRIVER			
4		X605-000100	1	TOOL,L WRENCH	4MM M5		
5		X606-000080	1	TOOL,BAR	5*120		
6		898510-07130	1	BAG, TOOL			

12. NYLON LINE CUTTER



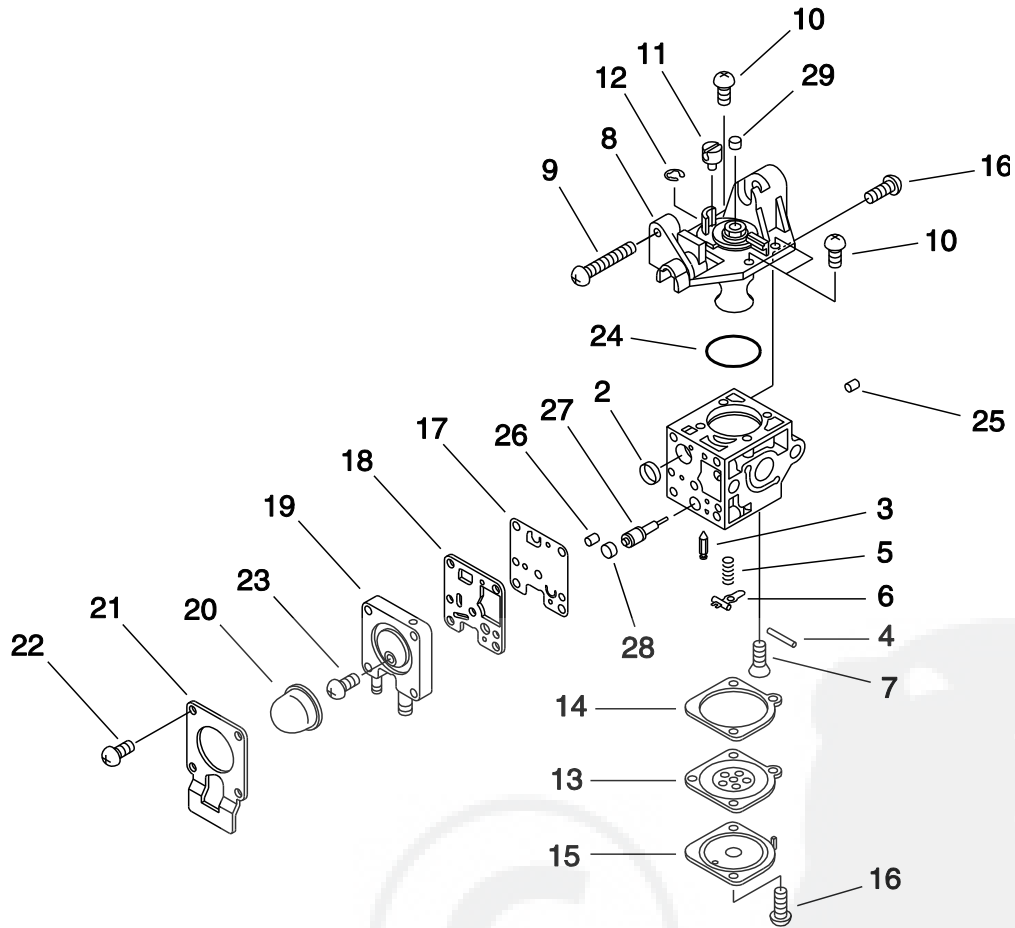
KEY	LV	PART NUMBER	QTY	DESCRIPTION	REMARKS	NOTE1	NOTE2
		X047-000430	1	CUTTER,ASM LINE			
1	+	P022-025530	1	CASE			
2	+	P022-025540	1	COVER			
3	+	P022-025550	1	REEL			
4	+	P022-025560	1	BUTTON			
5	+	P022-025570	1	RETURN SPRING			
6	+	P022-025580	1	SET SCREW			
7	+	P022-025590	2	CORD GUIDE			
8	+	P022-025600	1	NYLON CORD			
9	+	P022-025610	1	SHAFT			

13. CARBURETOR



KEY	LV	PART NUMBER	Q'TY	DESCRIPTION	REMARKS	NOTE1	NOTE2
		A021-003880	1	CARBURETOR,DIAPHRAGM	ZAMA RB-K113		
2	+	P005-000010	1	STRAINER			
3	+	125337-08260	1	VALVE, INLET NEEDLE			
4	+	125338-13930	1	PIN, METERING ARM			
5	+	P005-002430	1	SPRING, MET. LEVER			
6	+	125323-08260	1	ARM, VALVE			
7	+	125339-42030	1	SCREW			
8	+	P005-002460	1	COVER ASY, ROTOR			
9	+	P005-000100	1	SCREW,THROTTLADJUST			
10	+	125344-13931	3	SCREW			
11	+	P005-001240	1	POST			
12	+	P005-000190	1	E-RING			
13	+	P005-002230	1	DIAPHRAGM ,METERING			
14	+	P005-000200	1	GASKET, METERING			
15	+	125342-52130	1	COVER, DIAPHRAGM			
16	+	125344-52130	3	SCREW			
17	+	P005-000510	1	DIAPHRAGM, PUMP			
18	+	P005-000520	1	GASKET, PUMP			
19	+	P005-001890	1	BASE, ASY PRIMER			
20	+	125381-46730	1	PUMP, PRIMING			
21	+	P005-000250	1	RETAINER			
22	+	P005-001900	4	SCREW			
23	+	P005-000270	1	SCREW			
24	+	P005-000280	1	O-RING			
25	+	P005-001000	1	ROLLER, GUIDE			

13. CARBURETOR



KEY	LV	PART NUMBER	Q'TY	DESCRIPTION	REMARKS	NOTE1	NOTE2
26	+	P005-001250	1	RETAINER,PLUG BALL			
27	+	P005-001260	1	SCREW,MAINN MIXTURE			
28	+	P005-001270	1	PLUG, H AJUST SCREW			
29	+	A259-000010	1	CAP,LIMITER			

Index

Patrs Number	Key No.	Patrs Number	Key No.	Patrs Number	Key No.
100013-11520	1 - 7	660316-55630	2 - 9	94063-06900	8 - 7
100014-11520	1 - 9	890152-04930	9 - 4	94095-36201	1 - 13
100015-04630	1 - 8	890157-39130	9 - 30	A011-000101	1 - 1
100212-42031	1 - 14	890332-52730	4 - 9	A021-003880	4 - 1
100242-42030	1 - 15	890617-43130	9 - 3	A021-003880	13 -
101010-44332	1 - 3	895410-02830	11 - 3	A051-001411	7 - 1
125323-08260	13 - 6	898510-07130	11 - 6	A052-000180	7 - 10
125337-08260	13 - 3	900105-05055	6 - 6	A101-000090	1 - 6
125338-13930	13 - 4	900162-04020	3 - 5	A130-002100	1 - 2
125339-42030	13 - 7	900162-05022	1 - 4	A160-000890	2 - 12
125342-52130	13 - 15	900162-05028	1 - 11	A162-000130	2 - 15
125344-13931	13 - 10	900220-05065	4 - 11	A172-000320	2 - 1
125344-52130	13 - 16	900238-05022	4 - 6	A226-001410	4 - 12
125381-46730	13 - 20	900242-05010	8 - 16	A259-000010	13 - 29
129011-52730	4 - 10	900242-05014	9 - 18	A313-000600	6 - 2
130017-44331	4 - 4	900242-05025	9 - 13	A350-000480	5 - 1
130313-05863	4 - 13	900242-05028	9 - 29	A356-000031	5 - 11
131016-55830	5 - 5	900242-05035	9 - 9	A365-000060	5 - 6
131205-07320	5 - 13	900242-05035	9 - 12	A409-000160	3 - 1
132012-56030	5 - 10	900253-04025	9 - 7	A411-000140	3 - 2
132115-46730	5 - 7	900253-05020	2 - 16	A425-000000	3 - 7
145862-40630	6 - 3	900330-40080	1 - 12	A440-000833	9 - 23
156112-40630	3 - 6	900500-00005	4 - 5	A575-000110	2 - 8
159011-03432	3 - 9	900500-00005	9 - 10	C063-000040	9 - 5
159012-03433	3 - 8	900500-00005	9 - 14	C403-000140	9 - 19
162010-52830	3 - 4	900500-00005	9 - 14	C550-000511	10 - 1
175000-56831	3 - 10	900502-00006	9 - 26	C550-000570	10 - 4
175005-44331	2 - 4	900518-00006	9 - 27	C552-000200	10 - 7
175313-20430	2 - 2	900562-00005	10 - 6	C554-000000	10 - 10
177236-61830	7 - 6	900565-00005	10 - 2	P005-000010	13 - 2
178003-52130	9 - 11	900603-00005	5 - 2	P005-000100	13 - 9
178010-52130	9 - 15	900603-50008	8 - 15	P005-000190	13 - 12
178012-52630	9 - 21	900702-00022	8 - 10	P005-000200	13 - 14
178013-52630	9 - 22	900702-00032	8 - 8	P005-000250	13 - 21
178043-42230	9 - 16	900706-00010	8 - 11	P005-000270	13 - 23
178090-52632	9 - 20	900720-00012	8 - 20	P005-000280	13 - 24
210417-52730	4 - 14	900812-06201	8 - 4	P005-000510	13 - 17
301001-46731	9 - 32	91118-05018	10 - 11	P005-000520	13 - 18
301200-29430	9 - 17	91118-05020	5 - 3	P005-001000	13 - 25
610013-44730	9 - 2	91118-05028	2 - 11	P005-001240	13 - 11
610206-44730	9 - 1	91118-06025	8 - 12	P005-001250	13 - 26
610281-54131	9 - 6	91121-04008	6 - 9	P005-001260	13 - 27
610300-42330	8 - 2	91121-05025	10 - 5	P005-001270	13 - 28
610310-56831	8 - 3	91316-04010	10 - 8	P005-001890	13 - 19
610313-52132	8 - 18	91363-04016	2 - 3	P005-001900	13 - 22
610313-52932	8 - 17	91363-04016	9 - 24	P005-002230	13 - 13
610352-56830	8 - 19	91367-04010	6 - 5	P005-002430	13 - 5
610434-50031	8 - 14	94060-00626	8 - 5	P005-002460	13 - 8
610444-56830	8 - 9	94060-06900	8 - 6	P021-002625	10 - 3

Index

Patrs Number	Key No.	Patrs Number	Key No.	Patrs Number	Key No.
P021-004480	4 - 8	X606-000080	11 - 5		
P021-007712	1 - 5	X690-000050	11 - 1		
P021-012210	5 - 4	X698-000040	11 - 2		
P021-013134	8 - 1				
P021-014550	9 - 28				
P021-016642	6 - 1				
P021-041500	9 - 8				
P021-041670	1 - 10				
P022-002100	7 - 13				
P022-006510	7 - 12				
P022-006850	7 - 11				
P022-008270	7 - 4				
P022-019680	7 - 5				
P022-023170	7 - 8				
P022-025530	12 - 1				
P022-025540	12 - 2				
P022-025550	12 - 3				
P022-025560	12 - 4				
P022-025570	12 - 5				
P022-025580	12 - 6				
P022-025590	12 - 7				
P022-025600	12 - 8				
P022-025610	12 - 9				
P022-025730	7 - 7				
P022-034030	7 - 3				
P022-034040	7 - 2				
V103-001390	4 - 3				
V103-001640	4 - 7				
V104-000500	6 - 8				
V104-001760	6 - 4				
V150-000371	6 - 7				
V202-000090	2 - 13				
V202-000090	7 - 9				
V203-001980	10 - 9				
V315-000030	2 - 10				
V376-000990	2 - 5				
V430-002290	9 - 25				
V452-001310	8 - 13				
V471-001190	5 - 8				
V471-001200	5 - 9				
V475-007300	3 - 3				
V490-001240	5 - 12				
V495-002690	9 - 31				
X047-000430	10 - 12				
X047-000430	12 -				
X502-000890	7 - 14				
X505-002310	2 - 14				
X547-002310	2 - 7				
X605-000100	11 - 4				

YAMABIKO CORPORATION

7-2 SUEHIROCHO 1-CHOME, OHME, TOKYO 198-8760, JAPAN
PHONE: 81-428-32-6118. FAX: 81-428-32-6145.



ECHO®

12Fb
No. 04-400